

OCR10-M56300EN

PREFACE

- 1.This Parts Catalog carries all parts incorporated in YANMAR Model 3TNV84T-KSA, 3TNV84T-KSA2,3TNV84T-KSA3 and 3TNV84T-GGE engine manufactured since January, 2004.
- 2.Each illustration corresponds to the parts list on the following page.
- 3.When ordering parts,clearly write down the engine model and serial number,as well as the name and number of each part in your order sheet. This will help insure reliable delivery of the parts you have ordered.

Contents

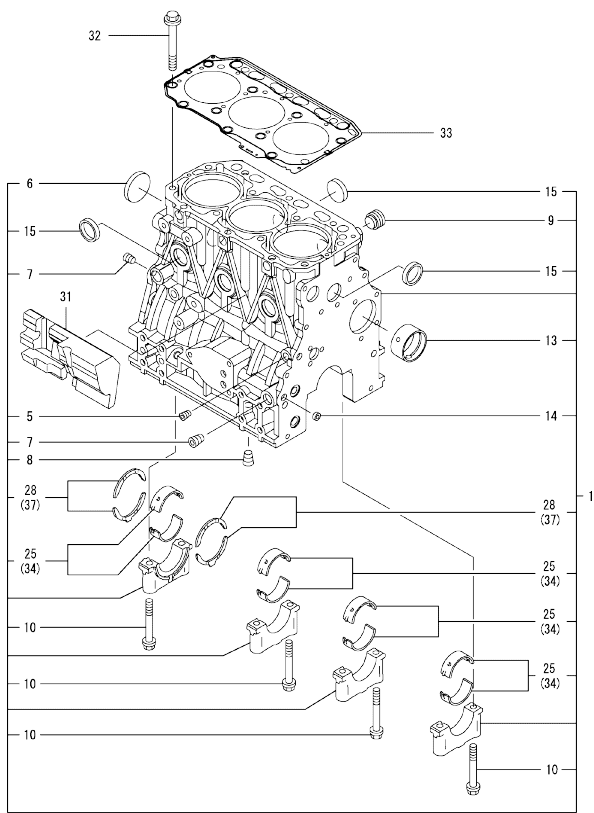
OCR10-M56300

Fig. No.	Fig. Name	Fig. No.	Fig. Name
ENGINE			
1.	CYLINDER BLOCK		
2.	GEAR HOUSING		
3.	GEAR HOUSING		
4.	FLYWHEEL HOUSING & OIL SUMP		
5.	CYLINDER HEAD & BONNET		
6.	SUCTION MANIFOLD		
7.	EXHAUST MANIFOLD		
8.	CAMSHAFT & DRIVING GEAR		
9.	TURBINE		
10.	CRANKSHAFT & PISTON		
11.	LUB. OIL SYSTEM		
12.	LUB. OIL PIPING		
13.	COOLING WATER SYSTEM		
14.	FUEL INJECTION PUMP		
15.	FUEL INJECTION VALVE		
16.	FUEL PIPING		
17.	STARTING MOTOR		
18.	STARTING MOTOR		
19.	GENERATOR		
20.	GASKET SET		
21.	FUEL INJECTION PUMP(INNER PARTS)		
22.	GOVERNOR(INNER PARTS)		
23.	FUEL INJECTION PUMP(INNER PARTS)		
24.	GOVERNOR(INNER PARTS)		

Fig.1. CYLINDER BLOCK

(A)=3TNV84T-KSA
(B)=3TNV84T-KSA2
(C)=3TNV84T-KSA3

(D)=3TNV84T-GGE
(E)=
(F)=



No.	Lev.	Parts No.	Description	Q'ty						I	R
				(A)	(B)	(C)	(D)	(E)	(F)		
1	1	729006-01560	BLOCK ASSY, CYLINDER	1	1	1	1				
5	2	124060-01050	PLUG, PT1/8	1	1	1	1				
6	2	129001-01250	PLUG, 50	1	1	1	1				
7	2	124160-01910	PLUG, PT1/4	2	2	2	2				
8	2	124160-01910	PLUG, PT1/4	1	1	1	1				
9	2	171051-01921	PLUG, NPTF1	1	1	1	1				
10	2	129150-02020	BOLT, METAL CAP	8	8	8	8				
13	2	129795-02411	BUSH, CAMSHAFT	1	1	1	1				
14	2	27241-120000	PLUG, 12	2	2	2	2				
15	2	27241-300000	PLUG 30	6	6	6	6				
25	2	129001-02930	BEARING, MAIN	4	4	4	4				3
28	2	129150-02930	BEARING, THRUST	2	2	2	2				
31	1	129004-01190	SPACER	1	1	1	1				
32	1	129150-01200	BOLT, HEAD	14	14	14	14				
33	1	129002-01331	GASKET, HEAD	1	1	1	1				
34	1	129150-02870	BEARING, 0.25 US	4	4	4	4				1
37	1	129150-02940	BEARING, THRUST 0.25	1	1	1	1				2

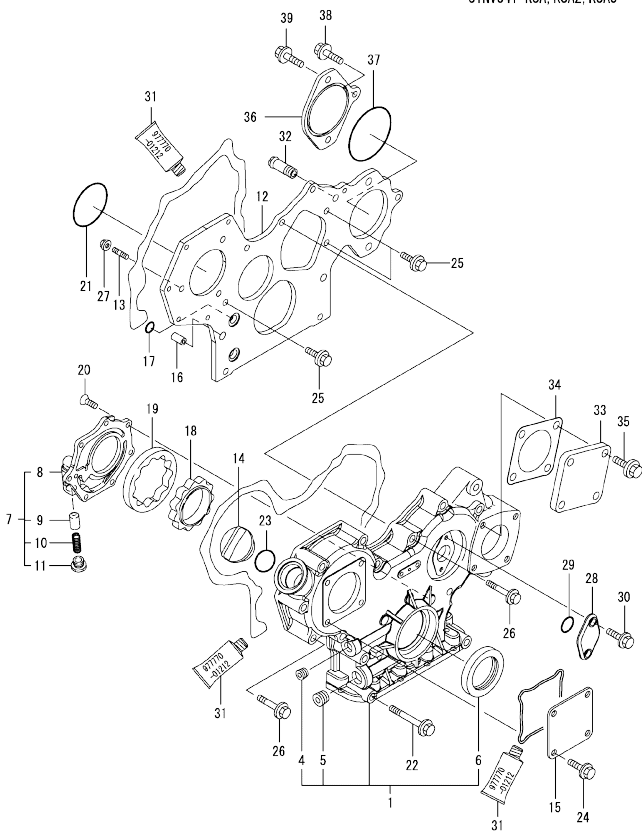
Remarks
(1)Under-sized(U.S.=0.25) parts.
(2)Over-sized(O.S.=0.25) parts.
(3)Repair parts.

Fig.2. GEAR HOUSING

(A)=3TNV84T-KSA
(B)=3TNV84T-KSA2
(C)=3TNV84T-KSA3

(D)=3TNV84T-GGE
(E)=
(F)=

3TNV84T-KSA, KSA2, KSA3



No.	Lev.	Parts No.	Description	Q'ty					
				(A)	(B)	(C)	(D)	(E)	(F)
1	1	729005-01500	CASE ASSY, GEAR	1	1	1			
4	2	23876-030000	PLUG, R03	1	1	1			
5	2	23876-040000	PLUG, R04	1	1	1			
6	2	129795-01800	SEAL, OIL	1	1	1			
7	1	119802-32100	COVER ASSY	1	1	1			
8	2	119802-32070	COVER	1	1	1			
9	2	129900-32130	VALVE, RELIEF	1	1	1			
10	2	129418-32320	SPRING	1	1	1			
11	2	129001-32330	PLUG	1	1	1			
12	1	129006-01540	FLANGE, GEAR CASE	1	1	1			
13	1	119802-01560	STUD, M8X25	3	3	3			
14	1	124160-01751	COVER, FILLER	1	1	1			
15	1	124240-01871	COVER	1	1	1			
16	1	129795-01950	PIPE, KNOCK L=18	2	2	2			
17	1	119609-32040	O-RING, P16	4	4	4			
18	1	119802-32111	ROTOR, INNER	1	1	1			
19	1	119802-32120	ROTOR, OUTER	1	1	1			
20	1	119802-32130	SCREW, M6X16	7	7	7			
21	1	121850-51960	O-RING	1	1	1			
22	1	129001-91841	BOLT, M8X85	3	3	3			
23	1	24311-000320	O-RING, 1AP32.0	1	1	1			
24	1	26106-080162	BOLT, M8X 16 PLATED	4	4	4			
25	1	26106-080162	BOLT, M8X 16 PLATED	3	3	3			
26	1	26106-080552	BOLT, M8X 55 PLATED	11	11	11			
27	1	26306-080002	NUT, M8	3	3	3			
28	1	121023-01550	COVER	1	1	1			
29	1	24341-000240	O-RING, 1AS24.0	1	1	1			
30	1	26106-060162	BOLT, M6X 16 PLATED	2	2	2			
31	1	977770-01212	GASKET, LIQUID	1	1	1			1
32	1	129122-44480	JOINT	1	1	1			
33	1	124240-01871	COVER	1	1	1			
34	1	124240-01883	GASKET	1	1	1			
35	1	26106-080162	BOLT, M8X 16 PLATED	4	4	4			
36	1	129430-26070	COVER	1	1	1			
37	1	24321-000800	O-RING, 1AG80.0	1	1	1			
38	1	26106-080252	BOLT, M8X 25 PLATED	1	1	1			
39	1	26106-100302	BOLT, M10X 30 PLATED	2	2	2			

Remarks

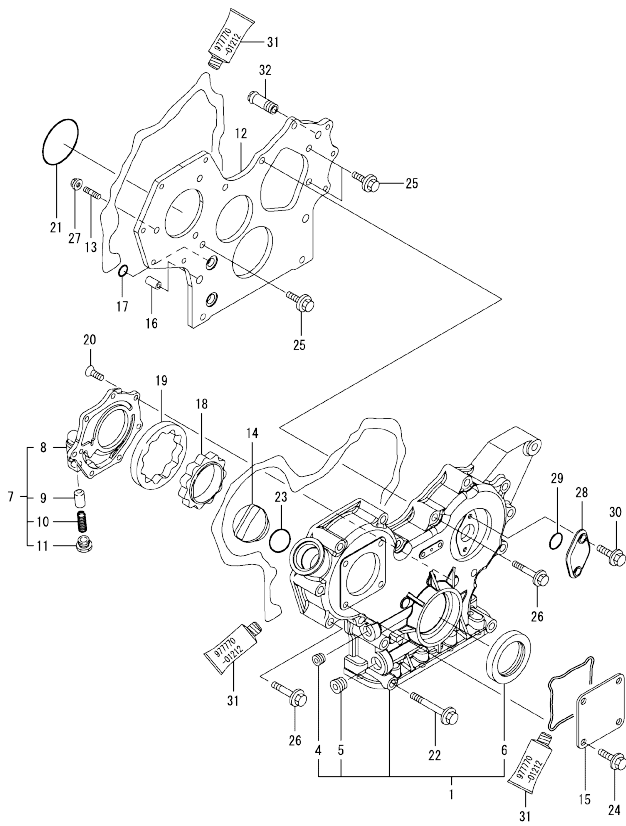
(1)Optional parts.

Fig.3. GEAR HOUSING

(A)=3TNV84T-KSA
(B)=3TNV84T-KSA2
(C)=3TNV84T-KSA3

(D)=3TNV84T-GGE
(E)=
(F)=

3TNV84T-GGE



No.	Lev.	Parts No.	Description	Q'ty						I	R	
				(A)	(B)	(C)	(D)	(E)	(F)			
1	1	719802-01500	CASE ASSY, GEAR									
4	2	23876-030000	PLUG, R03									
5	2	23876-040000	PLUG, R04									
6	2	129795-01800	SEAL, OIL									
7	1	119802-32100	COVER ASSY									
8	2	119802-32070	COVER									
9	2	129900-32130	VALVE, RELIEF									
10	2	129418-32320	SPRING									
11	2	129001-32330	PLUG									
12	1	129006-01520	FLANGE, GEAR CASE									
13	1	119802-01560	STUD, M8X25									
14	1	124160-01751	COVER, FILLER									
15	1	124240-01871	COVER									
16	1	129795-01950	PIPE, KNOCK L=18									
17	1	119609-32040	O-RING, P16									
18	1	119802-32111	ROTOR, INNER									
19	1	119802-32120	ROTOR, OUTER									
20	1	119802-32130	SCREW, M6X16									
21	1	121850-51960	O-RING									
22	1	129001-91841	BOLT, M8X85									
23	1	24311-000320	O-RING, 1AP32.0									
24	1	26106-080162	BOLT, M8X 16 PLATED									
25	1	26106-080162	BOLT, M8X 16 PLATED									
26	1	26106-080552	BOLT, M8X 55 PLATED									
27	1	26306-080002	NUT, M8									
28	1	121023-01550	COVER									
29	1	24341-000240	O-RING, 1AS24.0									
30	1	26106-060162	BOLT, M6X 16 PLATED									
31	1	977770-01212	GASKET, LIQUID									1
32	1	129122-44480	JOINT									

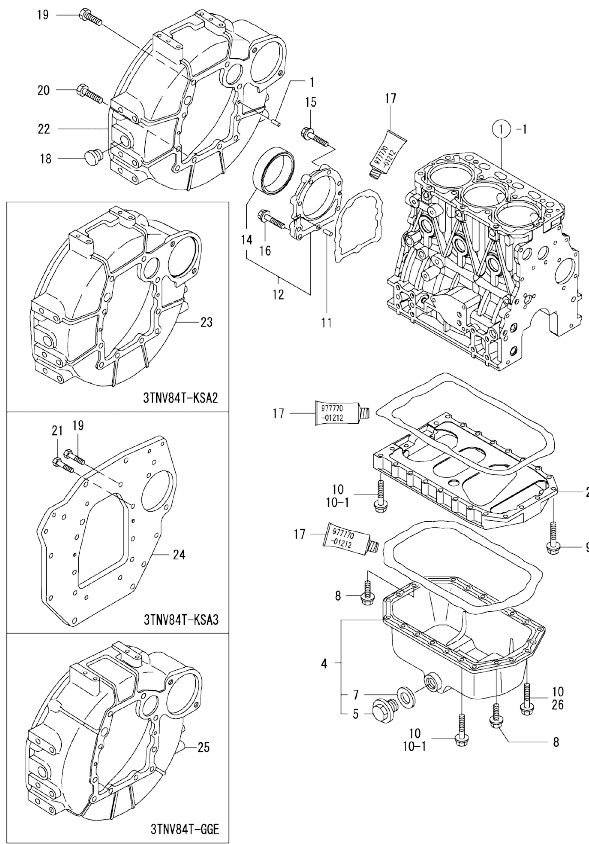
Remarks

(1)Optional parts.

Fig.4. FLYWHEEL HOUSING & OIL SUMP

(A)=3TNV84T-KSA
(B)=3TNV84T-KSA2
(C)=3TNV84T-KSA3

(D)=3TNV84T-GGE
(E)=
(F)=



No.	Lev.	Parts No.	Description	Q'ty						I	R
				(A)	(B)	(C)	(D)	(E)	(F)		
1	1	129100-01580	PIN, M8X16	2	2	2	2				
2	1	129100-01730	SPACER, OIL SUMP	1	1	1	1				
4	1	129100-01760	SUMP ASSY, OIL	1	1	1	1				
5	2	119640-01640	PLUG, DRAIN M22	1	1	1	1				
7	2	22190-220002	WASHER, SEAL 22	1	1	1	1				
8	1	26106-080162	BOLT, M8X 16 PLATED	4	4	4	4				
9	1	26106-080252	BOLT, M8X 25 PLATED	2	2	2	2				
10	1	26106-080452	BOLT, M8X 45 PLATED	20	20	20	20				
10-1	1	26106-080452	BOLT, M8X 45 PLATED	16	16	16	16				K
		(A=FROM 1ST)	(B=FROM 1ST)	(C=FROM 1ST)	(D=FROM 1ST)						
11	1	129100-01580	PIN, M8X16	2	2	2	2				
12	1	129100-01640	CASE ASSY, OIL SEAL	1	1	1	1				
14	2	129795-01780	SEAL, OIL	1	1	1	1				
15	1	129486-01670	BOLT, M8X30	6	6	6	6				
16	1	26106-080352	BOLT, M8X 35 PLATED	3	3	3	3				
17	1	977770-01212	GASKET, LIQUID	1	1	1	1				1
18	1	119620-01750	CAP	1	1	1	1				
19	1	26206-100252	BOLT, M10X 25 PLATED	6	6	2	6				
20	1	26206-100302	BOLT, M10X 30 PLATED	4	4		4				
21	1	26206-100202	BOLT, M10X 20 PLATED				6				
22	1	119888-01600	HOUSING, FLYWHEEL	1							
23	1	129612-01600	HOUSING, FLYWHEEL		1						
24	1	129129-01600	FLANGE, MOUNTING				1				
25	1	171420-01600	HOUSING, FLYWHEEL								1
26	1	26106-080502	BOLT, M8X 50 PLATED	4	4	4	4				W
		(A=FROM 1ST)	(B=FROM 1ST)	(C=FROM 1ST)	(D=FROM 1ST)						

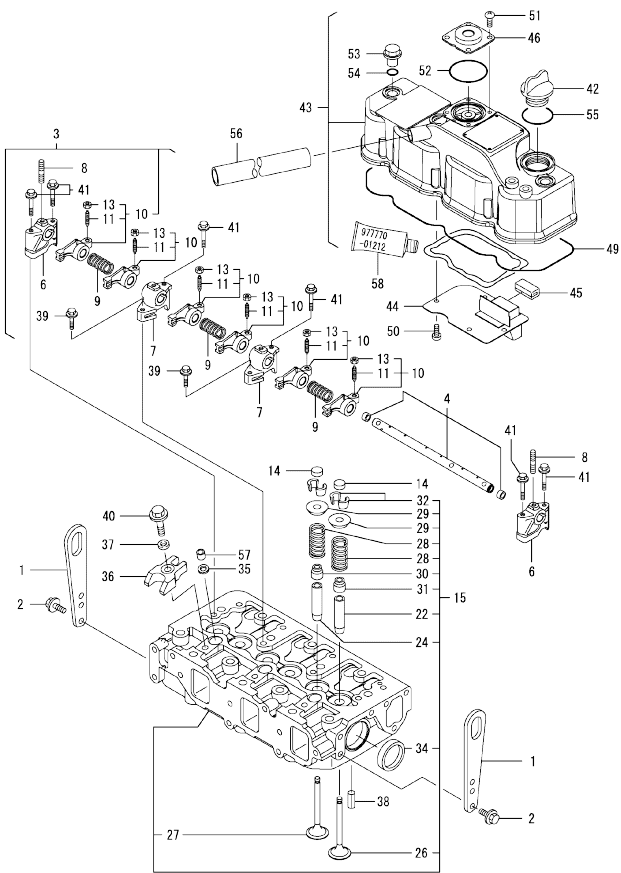
Remarks

(1)Optional parts.

Fig.5. CYLINDER HEAD & BONNET

(A)=3TNV84T-KSA
(B)=3TNV84T-KSA2
(C)=3TNV84T-KSA3

(D)=3TNV84T-GGE
(E)=
(F)=



No.	Lev.	Parts No.	Description	Q'ty						I	R
				(A)	(B)	(C)	(D)	(E)	(F)		
1	1	129900-07900	LIFTER	2	2	2	2				
2	1	26106-080142	BOLT, M8X 14 PLATED	4	4	4	4				
3	1	129004-11241	SHAFT ASSY, ROCKER	1	1	1	1				
4	2	129004-11251	SHAFT, ROCKER ARM	1	1	1	1				
6	2	119802-11260	SUPPORT, ROCKER ARM	2	2	2	2				
7	2	119802-11270	SUPPORT, ROCKER ARM	2	2	2	2				
8	2	119802-11280	STUD	3	3	3	3				
9	2	129150-11280	SPRING	3	3	3	3				
10	2	129004-11650	ARM, ROCKER	6	6	6	6				
11	3	129150-11230	SCREW, VALVE ADJUST	6	6	6	6				
13	3	129150-11750	NUT, M8	6	6	6	6				
14	1	129150-11370	CAP. VALVE	6	6	6	6				
15	1	129006-11700	HEAD ASSY, CYLINDER	1	1	1	1				
22	2	120130-11860	GUIDE, VALVE	3	3	3	3				1
24	2	129150-11810	GUIDE, VALVE	3	3	3	3				1
26	2	129004-11100	VALVE, INTAKE	3	3	3	3				
27	2	129100-11130	VALVE, EXHAUST	3	3	3	3				
28	2	129795-11120	SPRING, VALVE	6	6	6	6				
29	2	129795-11180	RETAINER, SPRING	6	6	6	6				
30	2	121400-11340	SEAL, VALVE STEM	3	3	3	3				
31	2	124460-11340	SEAL, VALVE STEM	3	3	3	3				
32	2	27310-080001	COTTER, 8	6	6	6	6				
34	2	27241-400000	PLUG, 40	2	2	2	2				
35	1	119625-11880	SEAT, NOZZLE	3	3	3	3				
36	1	129004-11900	RETAINER, NOZZLE	3	3	3	3				
37	1	120270-54410	WASHER, INJECTOR	3	3	3	3				
38	1	22351-060012	PIN, SPRING 6.0X12	2	2	2	2				
39	1	26106-080252	BOLT, M8X 25 PLATED	2	2	2	2				
40	1	26106-080352	BOLT, M8X 35 PLATED	3	3	3	3				
41	1	26106-080502	BOLT, M8X 50 PLATED	6	6	6	6				
42	1	124160-01751	COVER, FILLER	1	1	1	1				
43	1	129006-11350	BONNET ASSY, HEAD	1	1	1	1				
44	2	129004-03010	PLATE	1	1	1	1				
45	2	129150-03070	BAFFLE, BREATHER	1	1	1	1				
46	2	129006-03120	COVER, DIAPHRAGM	1	1	1	1				
49	2	129004-11310	GASKET, BONNET	1	1	1	1				
50	2	22857-500100	SCREW, 5X10	4	4	4	4				
51	2	22857-500100	SCREW, 5X10	4	4	4	4				
52	2	24341-000400	O-RING, 1AS40.0	1	1	1	1				
53	1	124160-11360	KNOB	3	3	3	3				
54	1	24311-000120	O-RING, 1AP12.0	3	3	3	3				
55	1	24311-000320	O-RING, 1AP32.0	1	1	1	1				
56	1	129150-03090	HOSE, ID16X2T	1	1	1	1				
57	1	119802-11870	PROTECTOR, NOZZLE	3	3	3	3				
58	1	977770-01212	GASKET, LIQUID	1	1	1	1				2

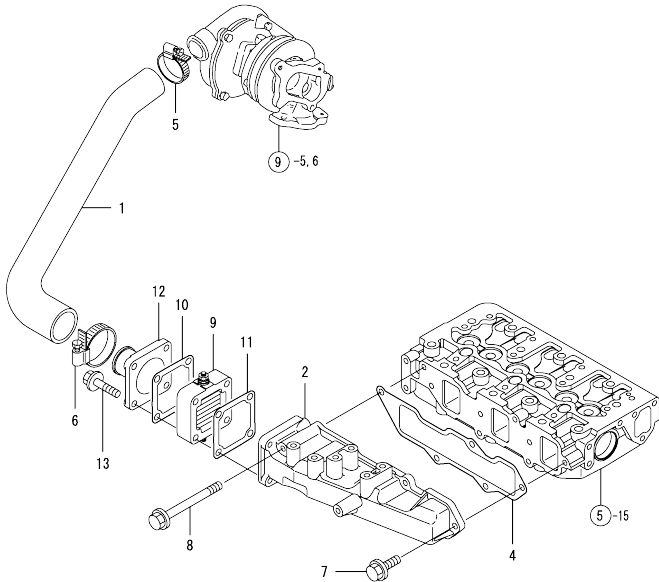
Remarks

- (1)Repair parts.
- (2)Optional parts.

Fig.6. SUCTION MANIFOLD

(A)=3TNV84T-KSA
 (B)=3TNV84T-KSA2
 (C)=3TNV84T-KSA3

(D)=3TNV84T-GGE
 (E)=
 (F)=



No.	Lev.	Parts No.	Description	Q'ty					
				(A)	(B)	(C)	(D)	(E)	(F)
1	1	129006-12060	PIPE, AIR INTAKE	1	1	1	1		
2	1	129006-12100	MANIFOLD, AIR INTAKE	1	1	1	1		
4	1	129001-12110	GASKET, MANIFOLD	1	1	1	1		
5	1	23000-041000	CLAMP, 41	1	1	1	1		
6	1	23000-060000	CLAMP, 60	1	1	1	1		
7	1	26106-080202	BOLT, M8X 20 PLATED	4	4	4	4		
8	1	26106-080802	BOLT, M8X 80 PLATED	1	1	1	1		
9	1	129100-77500	HEATER, AIR 12V	1	1	1	1		
10	1	129100-77510	GASKET	1	1	1	1		
11	1	129150-77511	GASKET	1	1	1	1		
12	1	129165-77520	BEND, AIR HEATER	1	1	1	1		
13	1	26106-080402	BOLT, M8X 40 PLATED	4	4	4	4		

Fig.7. EXHAUST MANIFOLD

(A)=3TNV84T-KSA
 (B)=3TNV84T-KSA2
 (C)=3TNV84T-KSA3

(D)=3TNV84T-GGE
 (E)=
 (F)=

No.	Lev.	Parts No.	Description	Q'ty						I	R
				(A)	(B)	(C)	(D)	(E)	(F)		
1	1	129139-13100	MANIFOLD, EXHAUST	1	1	1	1				
2	1	129150-13110	GASKET	1	1	1	1				
3	1	123900-13630	BOLT, M8X80	6	6	6	6				
4	1	119131-18320	STUD, M8X22	3	3	3	3				

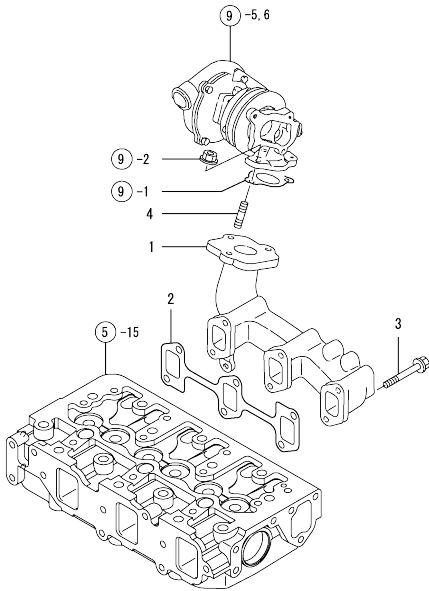
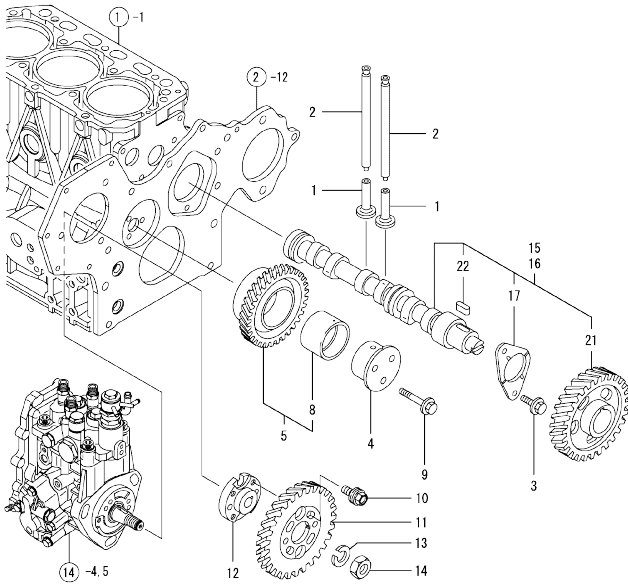


Fig.8. CAMSHAFT & DRIVING GEAR

(A)=3TNV84T-KSA
 (B)=3TNV84T-KSA2
 (C)=3TNV84T-KSA3

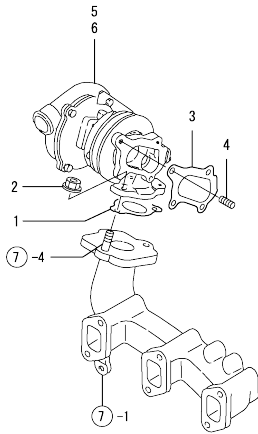
(D)=3TNV84T-GGE
 (E)=
 (F)=

No.	Lev.	Parts No.	Description	Q'ty						I	R
				(A)	(B)	(C)	(D)	(E)	(F)		
1	1	129150-14200	TAPPET	6	6	6	6				
2	1	129150-14400	ROD, PUSH L=178	6	6	6	6				
3	1	26106-080142	BOLT, M8X 14 PLATED	2	2	2	2				
4	1	119802-25051	SHAFT, IDLE	1	1	1	1				
5	1	119802-25100	GEAR ASSY, IDLE	1	1	1	1				
8	2	119802-25070	BUSH, IDLE GEAR	1	1	1	1			1	
9	1	26106-080402	BOLT, M8X 40 PLATED	3	3	3	3				
10	1	129150-25301	BOLT	4	4	4	4				
11	1	119802-25901	GEAR, PUMP	1	1	1	1				
12	1	158552-51151	FLANGE	1	1	1	1				
13	1	22217-140000	WASHER, SPRING 14	1	1	1	1				
14	1	26776-140002	NUT, LOCK M14	1	1	1	1				
15	1	129129-14580	CAMSHAFT ASSY	1	1	1					
16	1	129004-14580	CAMSHAFT ASSY							1	
17	2	129150-02450	BEARING, THRUST	1	1	1	1				
21	2	129150-14101	GEAR, CAMSHAFT	1	1	1	1				
22	2	22512-070140	KEY, 7X 14	1	1	1	1				



Remarks
 (1)Repair parts.

OCR10-M56300 ENGINE
 Fig.9. TURBINE



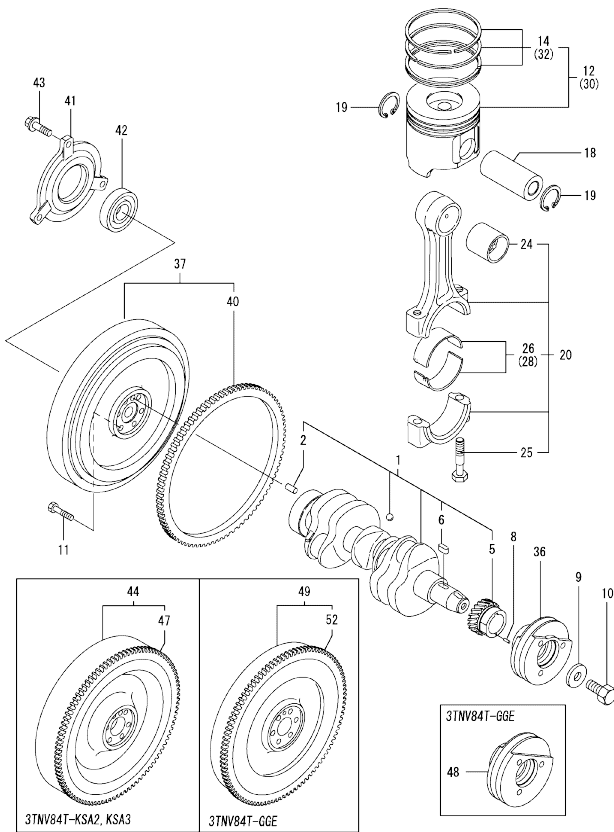
OCR10-M56300 Fig.9

(A)=3TNV84T-KSA
 (B)=3TNV84T-KSA2
 (C)=3TNV84T-KSA3

(D)=3TNV84T-GGE
 (E)=
 (F)=

No.	Lev.	Parts No.	Description	Q'ty					
				(A)	(B)	(C)	(D)	(E)	(F)
1	1	129535-18100	GASKET	1	1	1	1		
2	1	26306-080002	NUT, M8	3	3	3	3		
3	1	129403-18091	GASKET	1	1	1	1		
4	1	129418-18320	STUD, M8X20	4	4	4			
5	1	129266-18010	TURBINE, RHB31W/G	1	1	1			
6	1	129188-18010	TURBINE, RHB31						1

Fig.10. CRANKSHAFT & PISTON



(A)=3TNV84T-KSA
(B)=3TNV84T-KSA2
(C)=3TNV84T-KSA3

(D)=3TNV84T-GGE
(E)=
(F)=

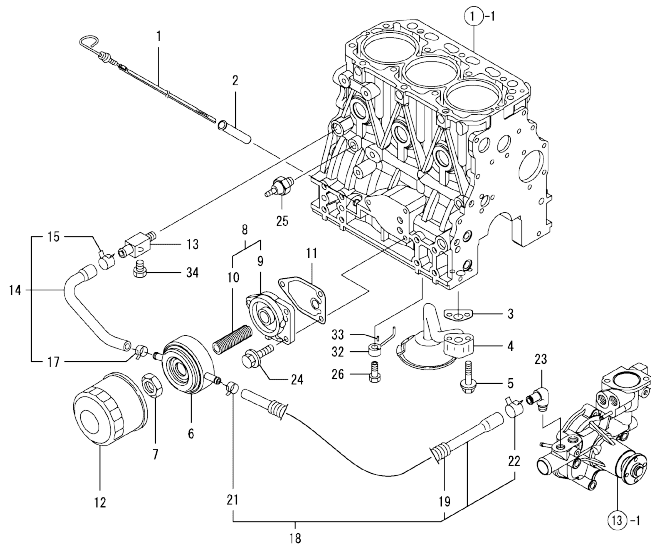
No.	Lev.	Parts No.	Description	Qty						I	R
				(A)	(B)	(C)	(D)	(E)	(F)		
1	1	129004-21002	CRANKSHAFT ASSY	1	1	1	1				
2	2	129100-01580	PIN, M8X16	1	1	1	1				
5	2	119802-21202	GEAR, CRANKSHAFT	1	1	1	1				
6	2	22512-070140	KEY, 7X 14	1	1	1	1				
8	1	22351-030010	PIN, SPRING 3.0X10	1	1	1	1				
9	1	129795-21661	WASHER	1	1	1	1				
10	1	121850-21680	BOLT	1	1	1	1				
11	1	121111-21501	BOLT, FLYWHEEL	6	6	6	6				
12	1	129004-22080	PISTON ASSY	3	3	3	3				
12-1	1	129007-22080	PISTON ASSY	3	3	3	3				N
		(A=E15495)	(B=E15496)	(C=E14832)	(D=E13108)						
14	2	129004-22500	RING SET, PISTON	3	3	3	3				
14-1	2	129007-22500	RING SET, PISTON	3	3	3	3				N
		(A=E15495)	(B=E15496)	(C=E14832)	(D=E13108)						
18	1	129202-22300	PIN, PISTON D26 L70	3	3	3	3				
19	1	22252-000260	RING, 26	6	6	6	6				
20	1	729402-23100	ROD ASSY, CONNECTING	3	3	3	3				
24	2	129100-23910	BEARING, PISTON PIN	3	3	3	3				1
25	2	121550-23200	BOLT, CONNECTING ROD	6	6	6	6				
26	2	129150-23600	BEARING, CRANK PIN	3	3	3	3				
28	1	129150-23610	BEARING, 0.25 US	3	3	3	3				
30	1	129004-22900	PISTON ASSY, 0.25 OS	3	3	3	3				3
30-1	1	129007-22900	PISTON ASSY, 0.25 OS	3	3	3	3				N 3
		(A=E15495)	(B=E15496)	(C=E14832)	(D=E13108)						
32	2	129004-22950	RING SET, 0.25 OS	3	3	3	3				3
32-1	2	129007-22950	RING SET, 0.25 OS	3	3	3	3				N 3
		(A=E15495)	(B=E15496)	(C=E14832)	(D=E13108)						
36	1	129004-21650	V-PULLEY, 110	1	1	1					
37	1	129188-21590	FLYWHEEL ASSY	1							
40	2	119865-21600	GEAR, RING	1							
41	1	119888-21450	RETAINER, BEARING	1							
42	1	24104-062054	BEARING, BALL 6205UU	1							
43	1	26106-080222	BOLT, M8X 22 PLATED	3							
44	1	171340-21580	FLYWHEEL ASSY		1	1					
47	2	119865-21600	GEAR, RING		1	1					
48	1	129005-21650	V-PULLEY, 120								1
49	1	171340-21590	FLYWHEEL ASSY								1
52	2	124550-21600	GEAR, RING								1

Remarks

- (1)Repair parts.
- (2)Under-sized(U.S.=0.25) parts.
- (3)Over-sized(O.S.=0.25) parts.

Fig.11. LUB. OIL SYSTEM

(A)=3TNV84T-KSA
(D)=3TNV84T-GGE
(B)=3TNV84T-KSA2
(E)=
(C)=3TNV84T-KSA3
(F)=



No.	Lev.	Parts No.	Description	Q'ty						I	R
				(A)	(B)	(C)	(D)	(E)	(F)		
1	1	129004-34801	DIPSTICK, OIL	1	1	1	1				
2	1	121520-34810	GUIDE, DIPSTICK	1	1	1	1				
3	1	129150-35041	GASKET	1	1	1	1				
4	1	129100-35301	PIPE ASSY, OIL INLET	1	1	1	1				
5	1	26106-080352	BOLT, M8X 35 PLATED	2	2	2	2				
6	1	129508-33010	COOLER ASSY, OIL	1	1	1	1				
7	1	129417-33110	NUT	1	1	1	1				
8	1	129006-35100	BRACKET ASSY, FILTER	1	1	1	1				
9	2	119802-35110	BRACKET, FILTER	1	1	1	1				
10	2	129417-35150	STUD, L=67	1	1	1	1				
11	1	129150-35111	GASKET	1	1	1	1				
12	1	129150-35170	FILTER,LO	1	1	1	1			1	
13	1	129006-44480	JOINT	1	1	1	1				
14	1	129508-49030	PIPE ASSY, WATER	1	1	1	1				
15	2	171008-03990	CLIP, HOSE 18.5	1	1	1	1				
17	2	23080-015000	CLAMP, 15	1	1	1	1				
18	1	129006-49040	PIPE ASSY, WATER	1	1	1	1				
19	2	123951-03330	TUBE, CORRUGATED	1	1	1	1				
21	2	23080-015000	CLAMP, 15	1	1	1	1				
22	2	23080-018000	CLAMP, 18	1	1	1	1				
23	1	129103-49301	ELBOW, PT1/4	1	1	1	1				
24	1	26106-080202	BOLT, M8X 20 PLATED	3	3	3	3				
25	1	114250-39450	SWITCH, 0.5KG	1	1	1	1				
26	1	129792-39410	VALVE ASSY, CHECK	3	3	3	3				
32	1	129553-39650	NOZZLE	3	3	3	3				
33	1	22351-030010	PIN, SPRING 3.0X10	3	3	3	3				
34	1	171056-49120	PLUG, DRAIN	1	1	1	1				

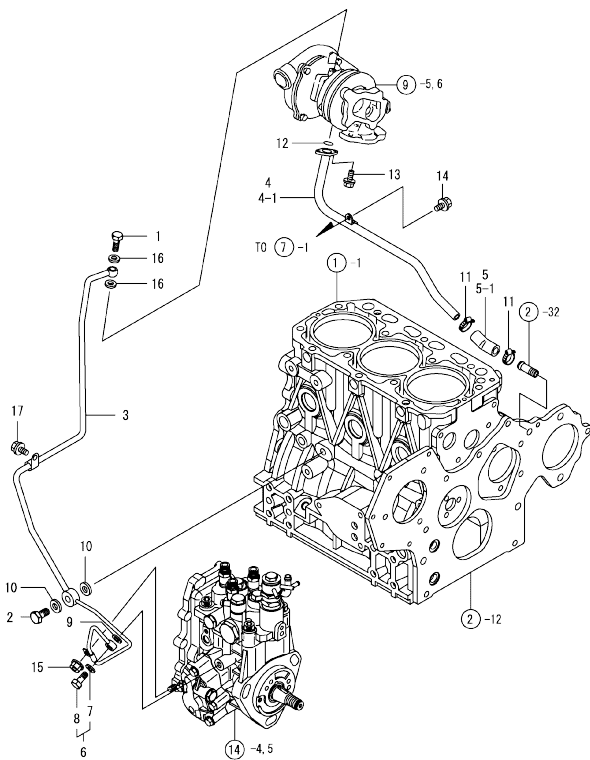
Remarks
(1)Repair parts.

N:Old $\frac{100}{100}$ New, Q:Old $\frac{100}{100}$ New, R:Old $\frac{100}{100}$ New, S:Old $\frac{100}{100}$ New, W:Add, Z:Discontinued, F:Interchangeable by set, K:Q'ty Change
Copyright (C) YANMAR GLOBAL CS CO., LTD. All Rights Reserved.

Fig.12. LUB. OIL PIPING

(A)=3TNV84T-KSA
(B)=3TNV84T-KSA2
(C)=3TNV84T-KSA3

(D)=3TNV84T-GGE
(E)=
(F)=

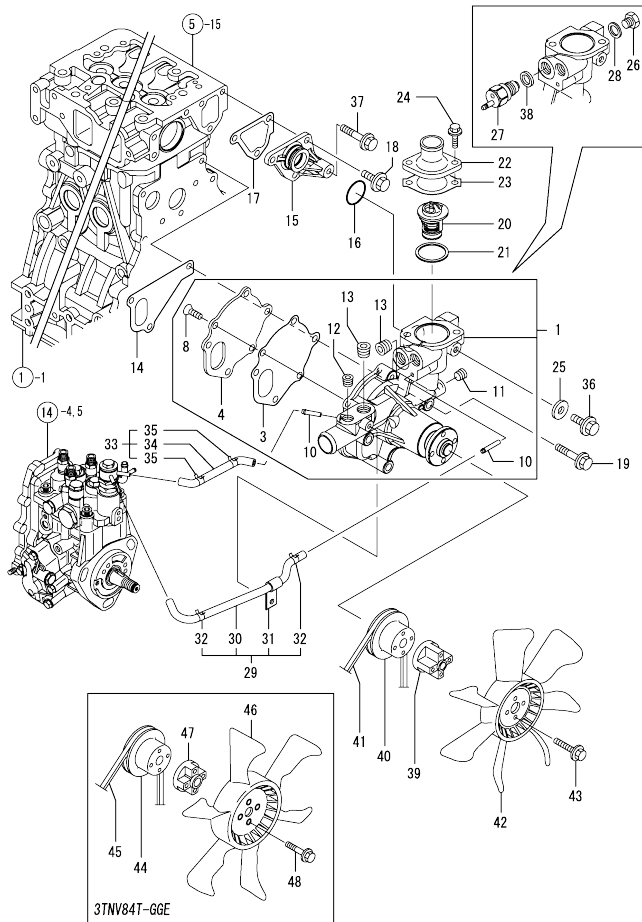


No.	Lev.	Parts No.	Description	Q'ty						I	R
				(A)	(B)	(C)	(D)	(E)	(F)		
1	1	105010-39140	BOLT, PIPE JOINT	1	1	1	1				
2	1	124160-39140	BOLT, PIPE JOINT M10	1	1	1	1				
3	1	129006-39450	PIPE ASSY, OIL	1	1	1	1				
4	1	129139-39601	PIPE, OIL	1	1	1	1				
4-1	1	129139-39610	PIPE, LUB.RETURN	1	1	1	1			F	1
		(A=E34640) (B=*2007.06.) (C=*2007.06.) (D=E35204)									
5	1	129403-39610	JOINT, RUBBER	1	1	1	1				
5-1	1	129044-39610	JOINT, RUBBER	1	1	1	1				S
		(A=E34640) (B=*2007.06.) (C=*2007.06.) (D=E35204)									
6	1	129005-59830	BOLT ASSY, JOINT M8	1	1	1	1				
7	2	22190-080002	WASHER, SEAL 6	1	1	1	1				
8	2	23857-030000	BOLT, JOINT 3	1	1	1	1				
9	1	22190-080002	WASHER, SEAL 6	1	1	1	1				
10	1	22190-100002	WASHER, SEAL 10	2	2	2	2				
11	1	23000-022000	CLAMP, 22	2	2	2	2				
12	1	24314-000160	O-RING, 4CP16.0	1	1	1	1				
13	1	26106-060162	BOLT, M6X 16 PLATED	2	2	2	2				
14	1	26106-080122	BOLT, M8X 12 PLATED	1	1	1	1				
15	1	26366-060002	NUT, M6	1	1	1	1				
16	1	23414-080000	GASKET, 8X1.0	2	2	2	2				
17	1	26106-080122	BOLT, M8X 12 PLATED	1	1	1	1				

Remarks
(1)INTERCHANGEABLE BY SIMULTANEOUS
REPLACEMENT WITH REF.No.5-1.

N:Old $\frac{100}{100}$ New, Q:Old $\frac{100}{100}$ New, R:Old $\frac{100}{100}$ New, S:Old $\frac{100}{100}$ New, W:Add, Z:Discontinued, F:Interchangeable by set, K:Q'ty Change
Copyright (C) YANMAR GLOBAL CS CO., LTD. All Rights Reserved.

Fig.13. COOLING WATER SYSTEM



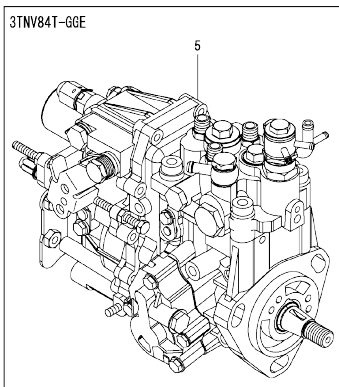
(A)=3TNV84T-KSA
(B)=3TNV84T-KSA2
(C)=3TNV84T-KSA3
(D)=3TNV84T-GGE
(E)=
(F)=

No.	Lev.	Parts No.	Description	Q'ty						I	R
				(A)	(B)	(C)	(D)	(E)	(F)		
1	1	129004-42001	PUMP ASSY, WATER	1	1	1	1				
3	2	129100-42051	GASKET, WATER PUMP	1	1	1	1				
4	2	129100-42121	PLATE	1	1	1	1				
8	2	121850-42410	SCREW	3	3	3	3				
10	2	119802-49113	JOINT, PIPE	2	2	2	2				
11	2	23876-010000	PLUG, R01	1	1	1	1				
12	2	23876-020000	PLUG, R02	1	1	1	1				
13	2	129916-49740	PLUG, R03	2	2	2	2				
14	1	129486-42021	GASKET, WATER PUMP	1	1	1	1				
15	1	129004-42040	JOINT	1	1	1	1				
16	1	129486-42140	O-RING, G30	1	1	1	1				
17	1	124395-49840	GASKET	1	1	1	1				
18	1	26106-080162	BOLT, M8X 16 PLATED	3	3	3	3				
19	1	26106-080602	BOLT, M8X 60 PLATED	3	3	3	3				
20	1	129155-49801	THERMOSTAT, 71	1	1	1	1				
21	1	129150-49811	GASKET, THERMOSTAT	1	1	1	1				
22	1	129350-49530	COVER, THERMOSTAT	1	1	1	1				
23	1	129795-49551	GASKET	1	1	1	1				
24	1	26106-080222	BOLT, M8X 22 PLATED	2	2	2	2				
25	1	23414-080000	GASKET, 8X1.0	1	1	1	1				
26	1	121450-42450	PLUG, M16	1	1	1	1				
27	1	121250-44901	SWITCH, 110	1	1	1	1				
28	1	124465-44950	GASKET, 16	1	1	1	1				
29	1	129004-49610	PIPE ASSY, WATER	1	1	1	1				
30	2	129004-49711	PIPE ASSY, WATER	1	1	1	1				
31	2	119802-49730	RETAINER, PIPE	1	1	1	1				
32	2	124722-59050	CLIP, HOSE 9	2	2	2	2				
33	1	129004-49620	PIPE ASSY, WATER	1	1	1	1				
34	2	129004-49721	PIPE ASSY, WATER	1	1	1	1				
35	2	124722-59050	CLIP, HOSE 9	2	2	2	2				
36	1	26106-080122	BOLT, M8X 12 PLATED	1	1	1	1				
37	1	26106-080452	BOLT, M8X 45 PLATED	1	1	1	1				
38	1	124465-44950	GASKET, 16	1	1	1	1				
39	1	171353-44760	SPACER, FAN	1	1	1	1				
40	1	129403-42380	V-PULLEY, D=110	1	1	1	1				
41	1	119865-42290	V-BELT, A36.5	1	1	1	1				
41-1	1	25152-003600	V-BELT, A36	1	1	1	1				
		(A=EXXXXX) (B=EXXXXX) (C=EXXXXX)									
42	1	121267-44741	FAN, COOLING D=360	1	1	1	1				
43	1	26106-060402	BOLT, M6X 40 PLATED	4	4	4	4				
44	1	129155-42350	V-PULLEY								1
45	1	119831-42290	V-BELT, A37.5								1
46	1	129030-44740	FAN, COOLING D360XUG								1
47	1	121267-44760	SPACER								1
48	1	26106-060302	BOLT, M6X 30 PLATED								4

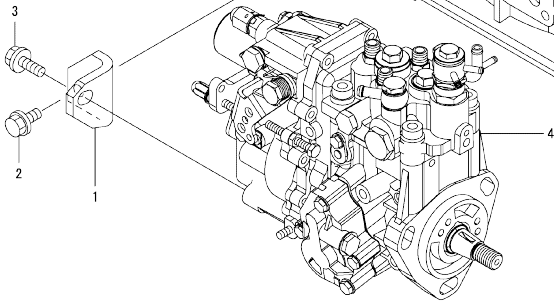
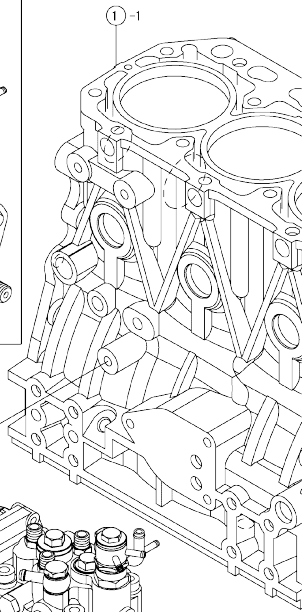
Fig.14. FUEL INJECTION PUMP

(A)=3TNV84T-KSA
(B)=3TNV84T-KSA2
(C)=3TNV84T-KSA3

(D)=3TNV84T-GGE
(E)=
(F)=



PRN: 000Y0065930-1
製修年月: 2005.04
REVISED: April, 2005



No.	Lev.	Parts No.	Description	Q'ty						I	R
				(A)	(B)	(C)	(D)	(E)	(F)		
1	1	119802-51250	RETAINER, PUMP	1	1	1	1				
2	1	26106-080162	BOLT, M8X 16 PLATED	1	1	1	1				
3	1	26106-080202	BOLT, M8X 20 PLATED	1	1	1	1				
4	1	729006-51310	PUMP ASSY, INJECTION	1	1	1				1	
5	1	729046-51390	PUMP ASSY, INJECTION				1				2

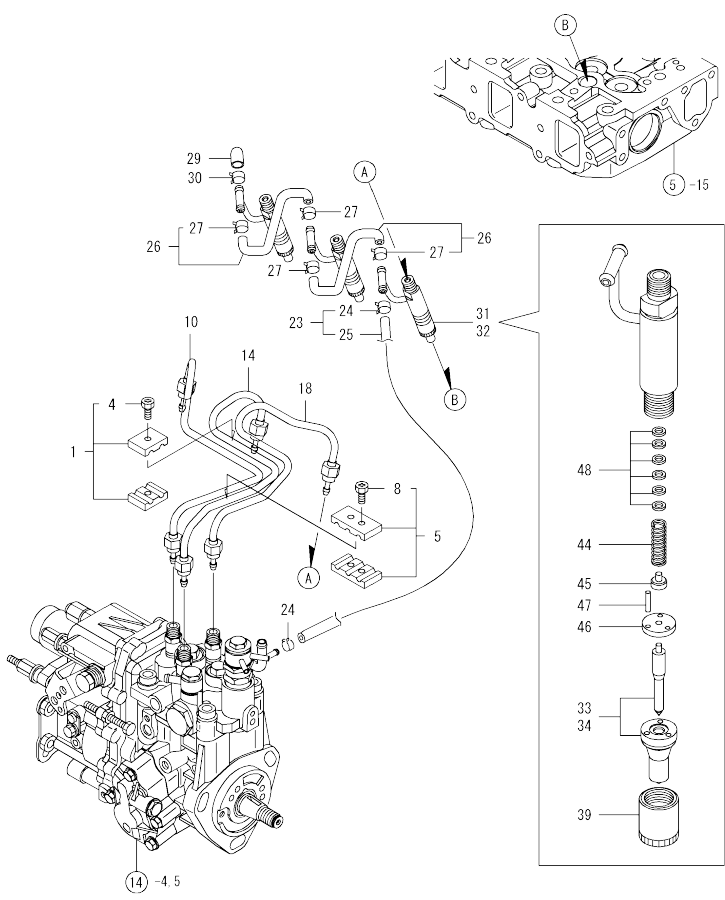
Remarks

- (1)Inner parts are shown in Fig.21 & 22.
- (2)Inner parts are shown in Fig.22 & 23.

Fig.15. FUEL INJECTION VALVE

(A)=3TNV84T-KSA
 (B)=3TNV84T-KSA2
 (C)=3TNV84T-KSA3

(D)=3TNV84T-GGE
 (E)=
 (F)=

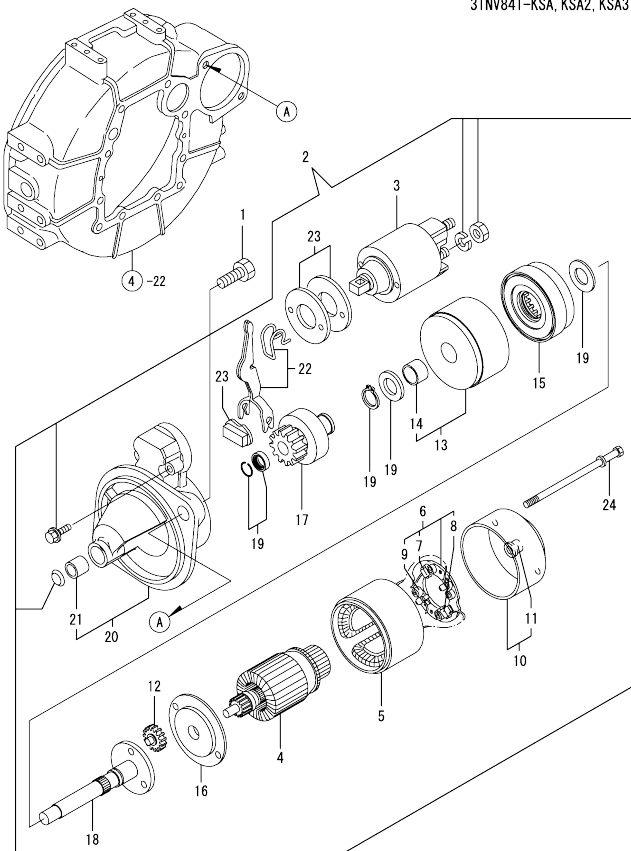


No.	Lev.	Parts No.	Description	Q'ty						I	R
				(A)	(B)	(C)	(D)	(E)	(F)		
1	1	119305-59120	RETAINER, PIPE	1	1	1	1				
4	2	129150-59131	BOLT, M4X14	1	1	1	1				
5	1	129150-59120	RETAINER, PIPE	1	1	1	1				
8	2	129150-59131	BOLT, M4X14	2	2	2	2				
10	1	129004-59810	PIPE ASSY, INJECTION	1	1	1	1				
14	1	129004-59820	PIPE ASSY, INJECTION	1	1	1	1				
18	1	129004-59830	PIPE ASSY, INJECTION	1	1	1	1				
23	1	119802-59550	PIPE ASSY, RETURN	1	1	1	1				
24	2	124722-59050	CLIP, HOSE 9	2	2	2	2				
25	2	119802-59560	PIPE, FUEL RETURN	1	1	1	1				
26	1	129486-59551	PIPE ASSY, RETURN	2	2	2	2				
27	2	124722-59050	CLIP, HOSE 9	4	4	4	4				
29	1	119593-59580	CAP	1	1	1	1				
30	1	124060-77680	CLIP, HOSE 10	1	1	1	1				
31	1	729005-53101	VALVE ASSY, INJECTION	3	3	3					
32	1	729046-53100	VALVE ASSY, INJECTION								3
33	2	129005-53001	VALVE ASSY, INJECTION	3	3	3					
34	2	129046-53000	VALVE ASSY, INJECTION								3
39	2	114250-53080	NUT, NOZZLE D16.95	3	3	3	3				
44	2	114250-53120	SPRING, NOZZLE	3	3	3	3				
45	2	114250-53130	SEAT, SPRING	3	3	3	3				
46	2	114250-53140	PLATE	3	3	3	3				
47	2	114250-53210	PIN	6	6	6	6				
48	2	114250-53400	SHIM SET	3	3	3	3				

N:Old $\frac{New}{Old}$ New, Q:Old $\frac{New}{Old}$ New, R:Old $\frac{New}{Old}$ New, S:Old $\frac{New}{Old}$ New, W:Add, Z:Discontinued, F:Interchangeable by set, K:Q'ty Change
 Copyright (C) YANMAR GLOBAL CS CO., LTD. All Rights Reserved.

Fig.17. STARTING MOTOR

3TNV84T-KSA, KSA2, KSA3



(A)=3TNV84T-KSA
(B)=3TNV84T-KSA2
(C)=3TNV84T-KSA3

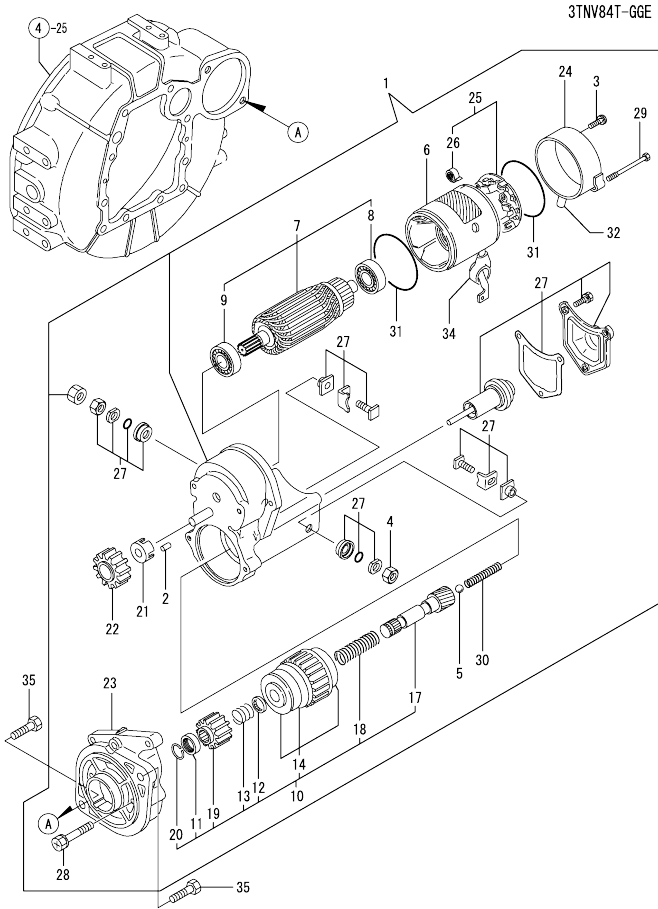
(D)=3TNV84T-GGE
(E)=
(F)=

No.	Lev.	Parts No.	Description	Q'ty					
				(A)	(B)	(C)	(D)	(E)	(F)
1	1	26116-120202	BOLT, M12X 20 PLATED	2	2	2			
2	1	129242-77010	STARTER, 1,7	1	1	1			
3	2	129698-77020	SWITCH ASSY	1	1	1			
4	2	129242-77100	ARMATURE ASSY	1	1	1			
5	2	129242-77110	YOKE ASSY	1	1	1			
6	2	129242-77120	HOLDER ASSY, BRUSH	1	1	1			
7	3	129242-77130	BRUSH	2	2	2			
8	3	129242-77140	BRUSH SET	1	1	1			
9	3	129242-77150	SPRING	4	4	4			
10	2	129242-77160	COVER ASSY	1	1	1			
11	3	129242-77170	METAL	1	1	1			
12	2	118400-77170	GEAR	3	3	3			
13	2	129242-77180	BRACKET	1	1	1			
14	3	129698-77190	BRACKET	1	1	1			
15	2	129698-77200	GEAR, INTERNAL	1	1	1			
16	2	129242-77210	BRACKET	1	1	1			
17	2	129698-77220	PINION ASSY	1	1	1			
18	2	129698-77230	SHAFT	1	1	1			
19	2	129698-77250	WASHER SET	1	1	1			
20	2	129242-77260	CASE ASSY	1	1	1			
21	3	X2114535200	METAL, STARTER	1	1	1			
22	2	129242-77270	LEVER SET	1	1	1			
23	2	129242-77280	COVER ASSY, DUST	1	1	1			
24	2	124195-77770	BOLT, THROUGH	2	2	2			

Fig.18. STARTING MOTOR

(A)=3TNV84T-KSA
(B)=3TNV84T-KSA2
(C)=3TNV84T-KSA3

(D)=3TNV84T-GGE
(E)=
(F)=

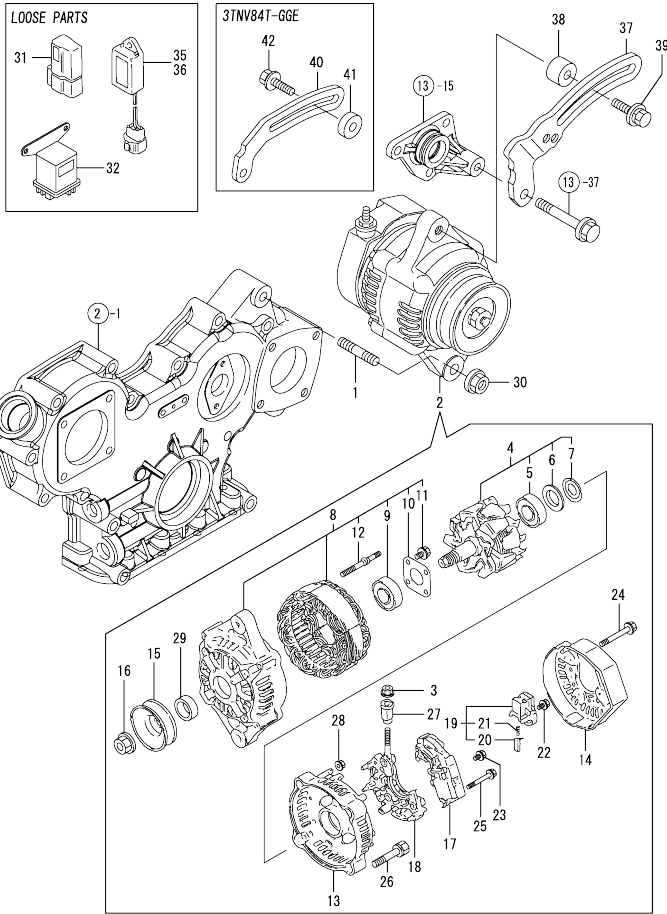


No.	Lev.	Parts No.	Description	Q'ty						I	R	
				(A)	(B)	(C)	(D)	(E)	(F)			
1	1	129129-77010	STARTER ASSY								1	
2	2	X0283060061	ROLLER								5	
3	2	129129-77460	SCREW								2	
4	2	X9490561370	NUT								1	
5	2	X9491200240	BALL								1	
6	2	129129-77210	YOKE ASSY								1	
7	2	129129-77220	ARMATURE ASSY								1	
8	3	129129-77230	BEARING								1	
9	3	129129-77240	BEARING								1	
10	2	129129-77250	STARTER								1	
11	3	X0280210230	NUT								1	
12	3	X0283270140	RETAINER								1	
13	3	X9491703371	SPRING, COIL								1	
14	3	129129-77390	CLUTCH ASSY								1	
17	3	129129-77400	SHAFT								1	
18	3	129129-77410	SPRING, COIL								1	
19	3	129129-77420	PINION, STARTER								1	
20	3	129129-77430	RING								1	
21	2	129129-77260	RETAINER								1	
22	2	129129-77270	PINION								1	
23	2	129129-77280	HOUSING								1	
24	2	129129-77290	FRAME								1	
25	2	129129-77300	HOLDER ASSY								1	
26	3	X9491730461	SPRING								4	
27	2	129129-77310	SWITCH ASSY								1	
28	2	129129-77320	BOLT								2	
29	2	129129-77330	BOLT								2	
30	2	129129-77340	SPRING								1	
31	2	129129-77350	O-RING								2	
32	2	129129-77362	COVER								1	
34	2	129129-77380	CAP								1	
35	1	26116-120252	BOLT, M12X 25 PLATED								2	

Fig.19. GENERATOR

(A)=3TNV84T-KSA
(B)=3TNV84T-KSA2
(C)=3TNV84T-KSA3

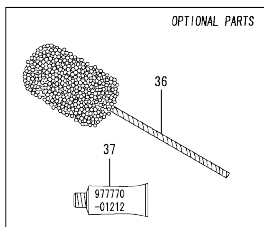
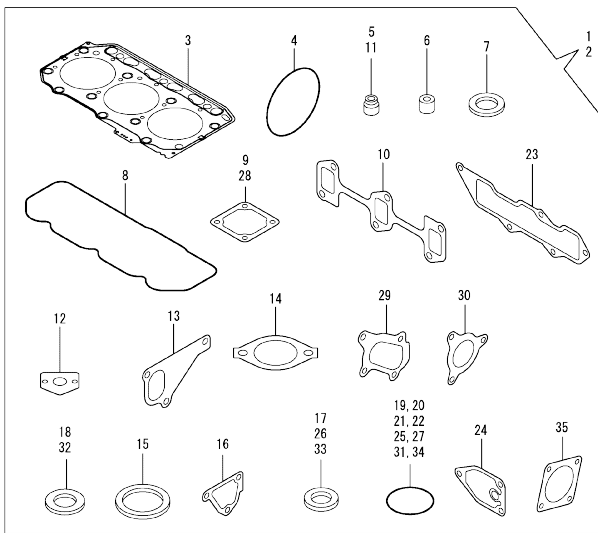
(D)=3TNV84T-GGE
(E)=
(F)=



No.	Lev.	Parts No.	Description	Q'ty						I	R
				(A)	(B)	(C)	(D)	(E)	(F)		
1	1	129795-01900	STUD	1	1	1	1				
2	1	129423-77200	GENERATOR, 12V-40A	1	1	1	1				
3	2	X9490561001	NUT	1	1	1	1				
4	2	119620-77380	ROTOR ASSY	1	1	1	1				
5	3	123501-79240	BEARING, BALL	1	1	1	1				
6	3	119620-79250	COVER	1	1	1	1				
7	3	119620-79360	WASHER, THRUST	1	1	1	1				
8	2	119620-77421	FRAME ASSY, DRIVE	1	1	1	1				
9	3	119620-79200	BEARING, BALL	1	1	1	1				
10	3	119620-79210	PLATE, RETAINER	1	1	1	1				
11	3	119620-79220	SCREW	4	4	4	4				
12	3	119620-79230	STUD	2	2	2	2				
13	2	119620-77440	FRAME ASSY	1	1	1	1				
14	2	129240-79300	COVER	1	1	1	1				
15	2	119620-77461	PULLEY	1	1	1	1				
16	2	119620-77471	NUT	1	1	1	1				
17	2	129423-77710	REGULATOR ASSY	1	1	1	1				
18	2	119620-79260	HOLDER	1	1	1	1				
19	2	119620-79270	HOLDER, BRUSH	1	1	1	1				
20	3	119620-77480	BRUSH ASSY	2	2	2	2				
21	3	119620-79280	SPRING	2	2	2	2				
22	2	119620-79290	SCREW	6	6	6	6				
23	2	119620-79300	SCREW	1	1	1	1				
24	2	119620-79310	BOLT	3	3	3	3				
25	2	119620-79320	SCREW	2	2	2	2				
26	2	119620-79330	BOLT	2	2	2	2				
27	2	119620-79340	BUSH, INSULATION	1	1	1	1				
28	2	119620-79350	NUT	2	2	2	2				
29	2	119620-77490	COLLAR	1	1	1	1				
30	1	26306-100002	NUT, M10	1	1	1	1				
31	1	119643-66900	DIODE	1	1	1	1				
32	1	119650-77910	RELAY ASSY, GLOW	1	1	1	1				
35	1	129211-77920	TIMER	1	1	1	1				
36	1	128300-77920	TIMER	1	1	1	1				
37	1	129064-77330	ADJUSTER	1	1	1	1				
38	1	129067-77340	SPACER	1	1	1	1				
39	1	26014-080452	BOLT, M8X 45	1	1	1	1				
40	1	119940-77330	ADJUSTER							1	
41	1	119940-77270	SPACER, GENERATOR							1	
42	1	119802-77340	BOLT, ADJUSTER							1	

Fig.20. GASKET SET

(A)=3TNV84T-KSA
(B)=3TNV84T-KSA2
(C)=3TNV84T-KSA3
(D)=3TNV84T-GGE
(E)=
(F)=



No.	Lev.	Parts No.	Description	Qty						I	R	
				(A)	(B)	(C)	(D)	(E)	(F)			
1	1	729246-92730	GASKET SET								1	
2	1	729246-92690	GASKET SET									1
3	2	129002-01331	GASKET, HEAD	1	1	1	1					
4	2	121850-51960	O-RING	1	1	1	1					
5	2	124460-11340	SEAL, VALVE STEM	3	3	3	3					
6	2	119802-11870	PROTECTOR, NOZZLE	3	3	3	3					
7	2	119625-11880	SEAT, NOZZLE	3	3	3	3					
8	2	129004-11310	GASKET, BONNET	1	1	1	1					
9	2	129150-77511	GASKET	1	1	1	1					
10	2	129150-13110	GASKET	1	1	1	1					
11	2	121400-11340	SEAL, VALVE STEM	3	3	3	3					
12	2	129150-35041	GASKET	1	1	1	1					
13	2	129486-42021	GASKET, WATER PUMP	1	1	1	1					
14	2	129795-49551	GASKET	1	1	1	1					
15	2	129150-49811	GASKET, THERMOSTAT	1	1	1	1					
16	2	124395-49840	GASKET	1	1	1	1					
17	2	22190-080002	WASHER, SEAL 6	2	2	2	2					
18	2	124465-44950	GASKET, 16	2	2	2	2					
19	2	24311-000120	O-RING, 1AP12.0	3	3	3	3					
20	2	24311-000320	O-RING, 1AP32.0	2	2	2	2					
21	2	24341-000240	O-RING, 1AS24.0	1	1	1	1					
22	2	129486-42140	O-RING, G30	1	1	1	1					
23	2	129001-12110	GASKET, MANIFOLD	1	1	1	1					
24	2	129150-35111	GASKET	1	1	1	1					
25	2	119609-32040	O-RING, P16	4	4	4	4					
26	2	22190-100002	WASHER, SEAL 10	2	2	2	2					
27	2	24341-000400	O-RING, 1AS40.0	1	1	1	1					
28	2	129100-77510	GASKET	1	1	1	1					
29	2	129403-18091	GASKET	1	1	1	1					
30	2	129535-18100	GASKET	1	1	1	1					
31	2	24314-000160	O-RING, 4CP16.0	1	1	1	1					
32	2	23414-080000	GASKET, 8X1.0	3	3	3	3					
33	2	22190-220002	WASHER, SEAL 22	1	1	1	1					
34	2	24321-000800	O-RING, 1AG80.0	1	1	1	1					
35	2	124240-01883	GASKET	1	1	1	1					
36	1	129400-92420	HONE	1	1	1	1					1
37	1	977770-01212	GASKET, LIQUID	1	1	1	1					1

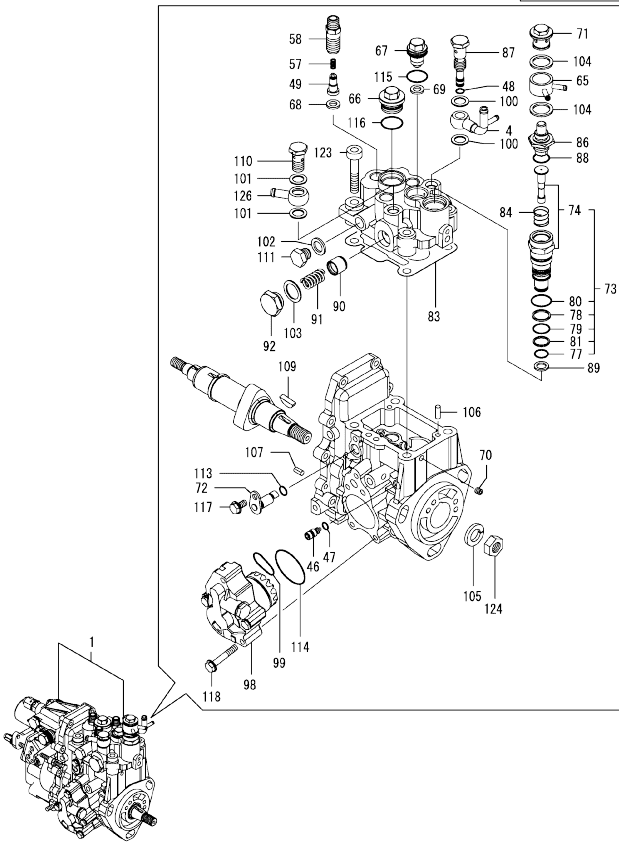
Remarks
(1)Optional parts.

Fig.21. FUEL INJECTION PUMP(INNER PARTS)

(A)=3TNV84T-KSA
(B)=3TNV84T-KSA2
(C)=3TNV84T-KSA3
(D)=3TNV84T-GGE
(E)=
(F)=

No.	Lev.	Parts No.	Description	Qty						I	R
				(A)	(B)	(C)	(D)	(E)	(F)		
1	1	729006-51310	PUMP ASSY, INJECTION	1	1	1					1
4	2	158552-51670	JOINT, OVER FLOW	1	1	1					
46	2	158600-51270	STOPPER, TAPPET	1	1	1					
47	2	158563-51281	O-RING, 4D S6	1	1	1					
48	2	158563-51281	O-RING, 4D S6	1	1	1					
49	2	158560-51300	VALVE ASSY, DELIVERY	3	3	3					
57	2	158563-51330	SPRING, DELIVERY	3	3	3					
58	2	158601-51340	HOLDER, DELIVERY	3	3	3					
65	2	158553-51551	JOINT	1	1	1					
66	2	158601-51550	PLUG	1	1	1					
67	2	119802-51560	PLUG, BARREL	1	1	1					
68	2	158552-51570	GASKET	3	3	3					
69	2	158552-51570	GASKET	1	1	1					
70	2	158557-51570	PLUG	1	1	1					
71	2	158601-51570	PLUG	1	1	1					
72	2	158552-51580	LIFTER	1	1	1					
73	2	119802-51590	TIMER SET	1	1	1					
74	3	119802-51600	TIMER ASSY	1	1	1					
77	3	158553-51670	O-RING, 1011	1	1	1					
78	3	119802-51680	RING, BACK UP	1	1	1					
79	3	119802-51690	O-RING	1	1	1					
80	3	24356-010200	O-RING, 4D1020	1	1	1					
81	3	24372-000150	RING, BACK UP T2P15	1	1	1					
83	2	158552-51600	GASKET	1	1	1					
84	2	158553-51630	SPRING, TIMER	1	1	1					
86	2	158553-51640	ELEMENT	1	1	1					
87	2	158601-51650	JOINT, OVER FLOW	1	1	1					
88	2	158553-51660	O-RING, P14	1	1	1					
89	2	158553-51680	GASKET	1	1	1					
90	2	158601-51770	PISTON	1	1	1					
91	2	158552-51780	SPRING	1	1	1					
92	2	158601-51790	PLUG	1	1	1					
98	2	158552-52100	PUMP ASSY, FUEL FEED	1	1	1					
99	2	158552-52310	O-RING	1	1	1					
100	2	22190-120002	WASHER, SEAL 12	2	2	2					
101	2	22190-120002	WASHER, SEAL 12	2	2	2					
102	2	22190-120002	WASHER, SEAL 12	1	1	1					
103	2	22190-180002	WASHER, SEAL 18	1	1	1					
104	2	22190-180002	WASHER, SEAL 18	2	2	2					
105	2	22217-140000	WASHER, SPRING 14	1	1	1					
106	2	22312-050140	PIN, PARALLEL M5X14	2	2	2					
107	2	22351-050010	PIN, SPRING 5.0X10	2	2	2					
109	2	119802-51090	KEY, 4X16	1	1	1					
110	2	23857-060000	BOLT, JOINT 6	1	1	1					
111	2	23887-120002	PLUG, 12	1	1	1					
113	2	24311-000070	O-RING, 1AP7.0	1	1	1					
114	2	158552-52400	O-RING, 4E S42	1	1	1					
115	2	24356-010180	O-RING, 4D1018	1	1	1					
116	2	24356-010200	O-RING, 4D1020	1	1	1					
117	2	26106-060102	BOLT, M6X 10 PLATED	1	1	1					
118	2	158553-51770	BOLT	4	4	4					

図号: 000130R5630-1
改訂年月: 2005.04
REVISED: April, 2005



Remarks

(1) Governor(Fig.22) is incorporated in this Fuel Injection Pump(No.1).

N:Old $\frac{New}{Old}$ New, Q:Old $\frac{New}{Old}$ New, R:Old $\frac{New}{Old}$ New, S:Old $\frac{New}{Old}$ New, W:Add, Z:Discontinued, F:Interchangeable by set, K:Qty Change
++ CONTINUE ++
Copyright (C) YANMAR GLOBAL CS CO., LTD. All Rights Reserved.

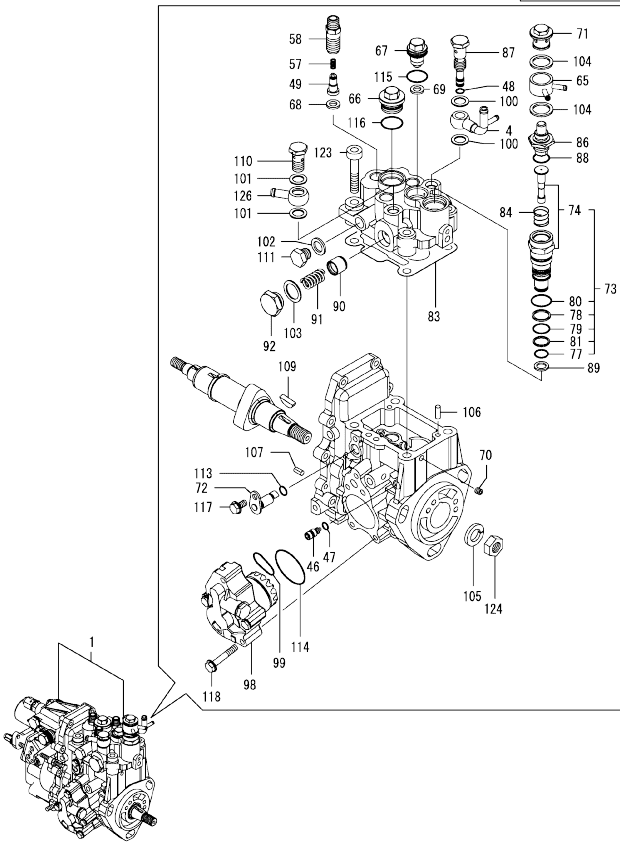
Fig.21. FUEL INJECTION PUMP(INNER PARTS)

(A)=3TNV84T-KSA
(B)=3TNV84T-KSA2
(C)=3TNV84T-KSA3

(D)=3TNV84T-GGE
(E)=
(F)=

No.	Lev.	Parts No.	Description	Q'ty					
				(A)	(B)	(C)	(D)	(E)	(F)
123	2	26450-080452	BOLT, M8X 45	4	4	4			
124	2	26776-140002	NUT, LOCK M14	1	1	1			
126	2	129916-59020	JOINT, PIPE 12	1	1	1			

図号: 000Y30R5630-1
改修年月: 2005.04
REVISED: April, 2005



Remarks

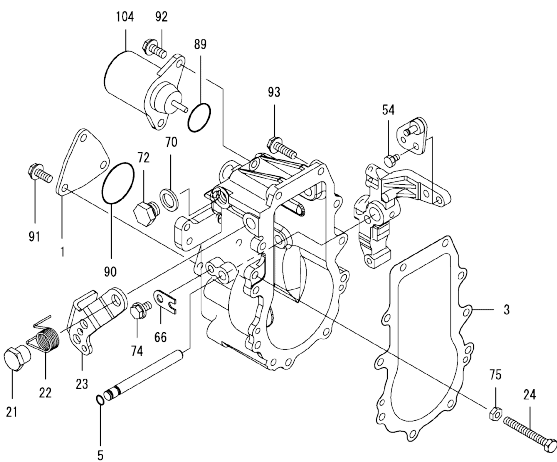
(1)Governor(Fig.22) is incorporated in this Fuel Injection Pump(No.1).

Fig.22. GOVERNOR(INNER PARTS)

図号: 000130R5630-1
 発注年月: 2005.04
 REVISED: April, 2003

(A)=3TNV84T-KSA
 (B)=3TNV84T-KSA2
 (C)=3TNV84T-KSA3

(D)=3TNV84T-GGE
 (E)=
 (F)=



No.	Lev.	Parts No.	Description	Q'ty						I	R
				(A)	(B)	(C)	(D)	(E)	(F)		
1	2	158563-61060	COVER, GOVERNOR CASE	1	1	1					
3	2	158553-61050	GASKET	1	1	1					
5	2	129155-51280	O-RING, S6	1	1	1					
21	2	129255-61410	NUT, LOCK	1	1	1					
22	2	119807-61420	SPRING, RETURN	1	1	1					
23	2	158552-61441	LEVER, REGULATOR	1	1	1					
24	2	129155-61460	BOLT, IDLE	1	1	1					
54	2	26116-060102	BOLT, M6X 10 PLATED	1	1	1					
66	2	119660-61901	RETAINER, SHAFT	1	1	1					
70	2	22190-120000	WASHER, SEAL 12	1	1	1					
72	2	23887-120002	PLUG, 12	1	1	1					
74	2	26106-060102	BOLT, M6X 10 PLATED	1	1	1					
75	2	26756-060002	NUT, LOCK M6	1	1	1					
89	2	24341-000280	O-RING, 1AS28.0	1	1	1					
89-1	2	158552-61900	O-RING	1	1	1					N
		(A=EXXXXX) (B=EXXXXX) (C=EXXXXX)									
90	2	24341-000360	O-RING, 1AS36.0	1	1	1					
91	2	26106-060102	BOLT, M6X 10 PLATED	3	3	3					
92	2	26106-060142	BOLT, M6X 14 PLATED	2	2	2					
93	2	26106-060202	BOLT, M6X 20 PLATED	10	10	10					
104	2	119653-77950	SOLENOID, STOP	1	1	1					

Remarks

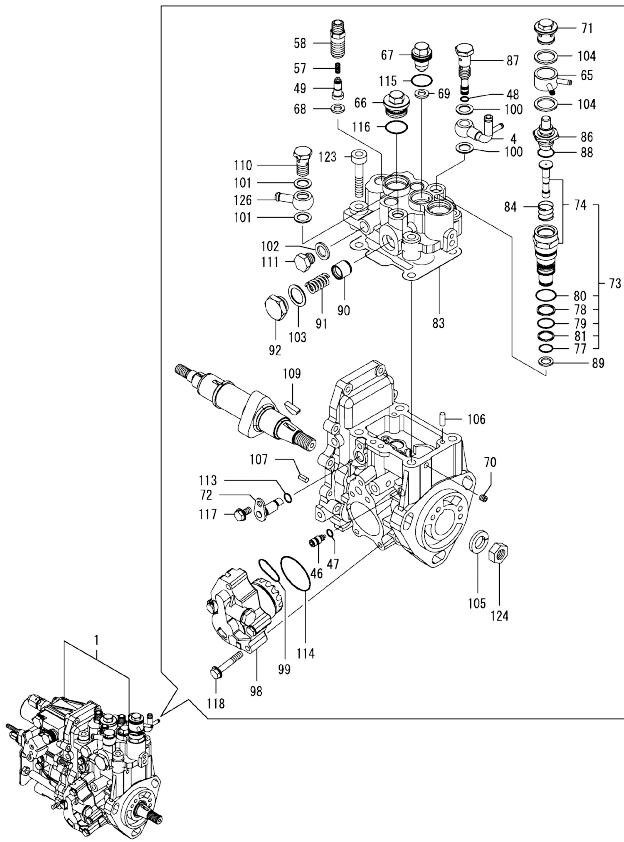
* This figure(Governor) is incorporated in the Fuel Injection Pump(Fig.21).

Fig.23. FUEL INJECTION PUMP(INNER PARTS)

(A)=3TNV84T-KSA
(B)=3TNV84T-KSA2
(C)=3TNV84T-KSA3

(D)=3TNV84T-GGE
(E)=
(F)=

図号 000YDR5630-1
改訂年月 2005.04
REVISED April, 2005



No.	Lev.	Parts No.	Description	Q'ty						I	R
				(A)	(B)	(C)	(D)	(E)	(F)		
1	1	729046-51390	PUMP ASSY, INJECTION								1
4	2	158552-51670	JOINT, OVER FLOW								1
46	2	158600-51270	STOPPER, TAPPET								1
47	2	158563-51281	O-RING, 4D S6								1
48	2	158563-51281	O-RING, 4D S6								1
49	2	158560-51300	VALVE ASSY, DELIVERY								3
57	2	158563-51330	SPRING, DELIVERY								3
58	2	158601-51340	HOLDER, DELIVERY								3
65	2	158553-51551	JOINT								1
66	2	158601-51550	PLUG								1
67	2	119802-51560	PLUG, BARREL								1
68	2	158552-51570	GASKET								3
69	2	158552-51570	GASKET								1
70	2	158557-51570	PLUG								1
71	2	158601-51570	PLUG								1
72	2	158552-51580	LIFTER								1
73	2	119802-51590	TIMER SET								1
74	3	119802-51600	TIMER ASSY								1
77	3	158553-51670	O-RING, 1011								1
78	3	119802-51680	RING, BACK UP								1
79	3	119802-51690	O-RING								1
80	3	24356-010200	O-RING, 4D1020								1
81	3	24372-000150	RING, BACK UP T2P15								1
83	2	158552-51600	GASKET								1
84	2	158553-51630	SPRING, TIMER								1
86	2	158553-51640	ELEMENT								1
87	2	158601-51650	JOINT, OVER FLOW								1
88	2	158553-51660	O-RING, P14								1
89	2	158553-51680	GASKET								1
90	2	158601-51770	PISTON								1
91	2	158552-51780	SPRING								1
92	2	158601-51790	PLUG								1
98	2	158552-52100	PUMP ASSY, FUEL FEED								1
99	2	158552-52310	O-RING								1
100	2	22190-120002	WASHER, SEAL 12								2
101	2	22190-120002	WASHER, SEAL 12								2
102	2	22190-120002	WASHER, SEAL 12								1
103	2	22190-180002	WASHER, SEAL 18								1
104	2	22190-180002	WASHER, SEAL 18								2
105	2	22217-140000	WASHER, SPRING 14								1
106	2	22312-050140	PIN, PARALLEL M5X14								2
107	2	22351-050010	PIN, SPRING 5.0X10								2
109	2	119802-51090	KEY, 4X16								1
110	2	23857-060000	BOLT, JOINT 6								1
111	2	23887-120002	PLUG, 12								1
113	2	24311-000070	O-RING, 1AP7.0								1
114	2	158552-52400	O-RING, 4E S42								1
115	2	24356-010180	O-RING, 4D1018								1
116	2	24356-010200	O-RING, 4D1020								1
117	2	26106-060102	BOLT, M6X 10 PLATED								1
118	2	158553-51770	BOLT								4

Remarks

(1)Governor(Fig.24) is incorporated in this Fuel Injection Pump(No.1).

N:Old $\frac{New}{Old}$ New, Q:Old $\frac{New}{Old}$ New, R:Old $\frac{New}{Old}$ New, S:Old $\frac{New}{Old}$ New, W:Add, Z:Discontinued, F:Interchangeable by set, K:Q'ty Change
 ++ CONTINUE ++
 Copyright (C) YANMAR GLOBAL CS CO., LTD. All Rights Reserved.

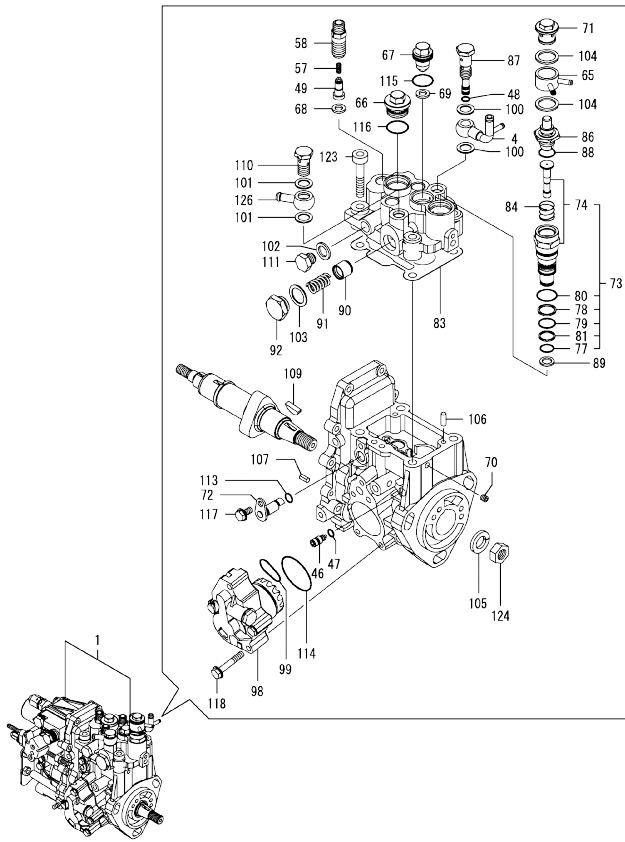
Fig.23. FUEL INJECTION PUMP(INNER PARTS)

(A)=3TNV84T-KSA
(B)=3TNV84T-KSA2
(C)=3TNV84T-KSA3

(D)=3TNV84T-GGE
(E)=
(F)=

図号 000Y30R5630-1
発注年月 2005.04
REVISED April, 2005

No.	Lev.	Parts No.	Description	Q'ty					
				(A)	(B)	(C)	(D)	(E)	(F)
123	2	26450-080452	BOLT, M8X 45				4		
124	2	26776-140002	NUT, LOCK M14				1		
126	2	129916-59020	JOINT, PIPE 12				1		



Remarks

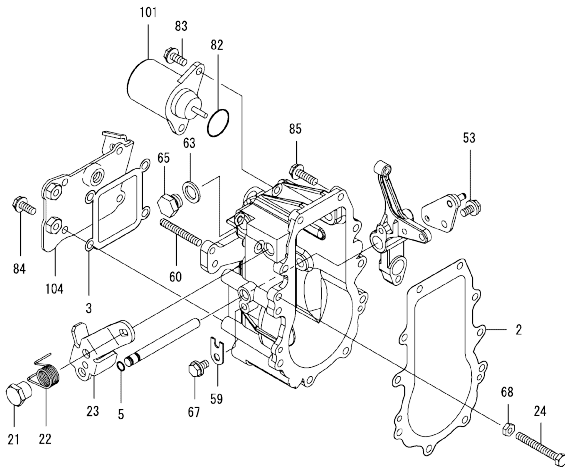
(1)Governor(Fig.24) is incorporated in this Fuel Injection Pump(No.1).

Fig.24. GOVERNOR(INNER PARTS)

(A)=3TNV84T-KSA
(B)=3TNV84T-KSA2
(C)=3TNV84T-KSA3

(D)=3TNV84T-GGE
(E)=
(F)=

図号: 000130R5630-1
改修年月: 2005.04
REVISED: April, 2005



No.	Lev.	Parts No.	Description	Q'ty						I	R	
				(A)	(B)	(C)	(D)	(E)	(F)			
2	2	158553-61050	GASKET									
3	2	158553-61070	GASKET									
5	2	129155-51280	O-RING, S6									
21	2	129255-61410	NUT, LOCK									
22	2	119807-61420	SPRING, RETURN									
23	2	129246-61441	LEVER, REGULATOR									
24	2	129155-61460	BOLT, IDLE									
53	2	26106-060102	BOLT, M6X 10 PLATED									
59	2	119660-61901	RETAINER, SHAFT									
60	2	171002-66830	SCREW									
63	2	22190-120000	WASHER, SEAL 12									
65	2	23887-120002	PLUG, 12									
67	2	26106-060102	BOLT, M6X 10 PLATED									
68	2	26756-060002	NUT, LOCK M6									
82	2	24341-000280	O-RING, 1AS28.0									
82-1	2	158552-61900	O-RING									N
			(D=EXXXXX)									
83	2	26106-060142	BOLT, M6X 14 PLATED									
84	2	26106-060142	BOLT, M6X 14 PLATED									
85	2	26106-060202	BOLT, M6X 20 PLATED									
101	2	119653-77950	SOLENOID, STOP									
104	2	129246-61061	COVER, GOVERNOR CASE									

Remarks

* This figure(Governor) is incorporated in the Fuel Injection Pump(Fig.23).

Parts No. Index

Parts No.	Fig. No.	Ref. No.	Parts No.	Fig. No.	Ref. No.	Parts No.	Fig. No.	Ref. No.	Parts No.	Fig. No.	Ref. No.
105010-39140	12	1	119802-01560	2	13	119865-42290	13	41	124722-59050	13	35
105025-59580	16	6		3	13	119888-01600	4	22		15	24
114250-39450	11	25	119802-11260	5	6	119888-21450	10	41			27
114250-53080	15	39	119802-11270	5	7	119940-77270	19	41	124766-59050	16	5
114250-53120	15	44	119802-11280	5	8	119940-77330	19	40			8
114250-53130	15	45	119802-11870	5	57	120130-11860	5	22	128300-77920	19	36
114250-53140	15	46		20	6	120270-54410	5	37	129001-01250	1	6
114250-53210	15	47	119802-21202	10	5	121023-01550	2	28	129001-02930	1	25
114250-53400	15	48	119802-25051	8	4		3	28	129001-12110	6	4
118400-77170	17	12	119802-25070	8	8	121111-21501	10	11		20	23
119131-18320	7	4	119802-25100	8	5	121250-44901	13	27	129001-32330	2	11
119225-52102	16	10	119802-25901	8	11	121267-44741	13	42		3	11
119305-59120	15	1	119802-32070	2	8	121267-44760	13	47	129001-91841	2	22
119593-59580	15	29		3	8	121400-11340	5	30		3	22
119609-32040	2	17	119802-32100	2	7		20	11	129002-01331	1	33
	3	17		3	7	121450-42450	13	26		20	3
	20	25	119802-32111	2	18	121520-34810	11	2	129004-01190	1	31
119620-01750	4	18		3	18	121550-23200	10	25	129004-03010	5	44
119620-77380	19	4	119802-32120	2	19	121850-21680	10	10	129004-11100	5	26
119620-77421	19	8		3	19	121850-42410	13	8	129004-11241	5	3
119620-77440	19	13	119802-32130	2	20	121850-51960	2	21	129004-11251	5	4
119620-77461	19	15		3	20		3	21	129004-11310	5	49
119620-77471	19	16	119802-35110	11	9		20	4		20	8
119620-77480	19	20	119802-49113	13	10	123501-79240	19	5	129004-11650	5	10
119620-77490	19	29	119802-49730	13	31	123900-13630	7	3	129004-11900	5	36
119620-79200	19	9	119802-51090	21	109	123951-03330	11	19	129004-14580	8	16
119620-79210	19	10		23	109	124060-01050	1	5	129004-21002	10	1
119620-79220	19	11	119802-51250	14	1	124060-77680	15	30	129004-21650	10	36
119620-79230	19	12	119802-51560	21	67	124160-01751	2	14	129004-22080	10	12
119620-79250	19	6		23	67		3	14	129004-22500	10	14
119620-79260	19	18	119802-51590	21	73		5	42	129004-22900	10	30
119620-79270	19	19		23	73	124160-01910	1	7	129004-22950	10	32
119620-79280	19	21	119802-51600	21	74		8		129004-34801	11	1
119620-79290	19	22		23	74	124160-11360	5	53	129004-42001	13	1
119620-79300	19	23	119802-51680	21	78	124160-39140	12	2	129004-42040	13	15
119620-79310	19	24		23	78	124195-77770	17	24	129004-49610	13	29
119620-79320	19	25	119802-51690	21	79	124240-01871	2	15	129004-49620	13	33
119620-79330	19	26		23	79		3	33	129004-49711	13	30
119620-79340	19	27	119802-55700	16	11		3	15	129004-49721	13	34
119620-79350	19	28	119802-55710	16	12	124240-01883	2	34	129004-55610	16	1
119620-79360	19	7	119802-55730	16	16		20	35	129004-59810	15	10
119625-11880	5	35	119802-55800	16	2	124395-49840	13	17	129004-59820	15	14
	20	7	119802-59550	15	23		20	16	129004-59830	15	18
119640-01640	4	5	119802-59560	15	25	124460-11340	5	31	129005-21650	10	48
119643-66900	19	31	119802-77340	19	42		20	5	129005-53001	15	33
119650-77910	19	32	119807-61420	22	22	124465-44950	13	28	129005-59830	12	6
119653-77950	22	104		24	22			38	129006-01520	3	12
	24	101	119831-42290	13	45		20	18	129006-01540	2	12
119660-61901	22	66	119865-21600	10	40	124550-21600	10	52	129006-03120	5	46
	24	59		47	47	124722-59050	13	32	129006-11350	5	43

Parts No. Index

Parts No.	Fig. No.	Ref. No.	Parts No.	Fig. No.	Ref. No.	Parts No.	Fig. No.	Ref. No.	Parts No.	Fig. No.	Ref. No.
129006-11700	5	15	129129-77340	18	30	129155-61460	22	24	129486-01670	4	15
129006-12060	6	1	129129-77350	18	31		24	24	129486-42021	13	14
129006-12100	6	2	129129-77362	18	32	129165-77520	6	12		20	13
129006-35100	11	8	129129-77380	18	34	129188-18010	9	6	129486-42140	13	16
129006-39450	12	3	129129-77390	18	14	129188-21590	10	37		20	22
129006-44480	11	13	129129-77400	18	17	129202-22300	10	18	129486-59551	15	26
129006-49040	11	18	129129-77410	18	18	129210-59100	16	4	129508-33010	11	6
129007-22080	10	12 -1	129129-77420	18	19	129210-59230	16	7	129508-49030	11	14
129007-22500	10	14 -1	129129-77430	18	20	129211-77920	19	35	129535-18100	9	1
129007-22900	10	30 -1	129129-77460	18	3	129240-79300	19	14		20	30
129007-22950	10	32 -1	129139-13100	7	1	129242-55700	16	11 -1	129553-39650	11	32
129030-44740	13	46	129139-39601	12	4	129242-55720	16	16 -1	129555-59511	16	9
129044-39610	12	5 -1	129139-39610	12	4 -1	129242-55730	16	12 -1	129612-01600	4	23
129046-53000	15	34	129150-01200	1	32	129242-55740	16	17	129698-77020	17	3
129064-77330	19	37	129150-02020	1	10	129242-55750	16	18	129698-77190	17	14
129067-77340	19	38	129150-02450	8	17	129242-55760	16	19	129698-77200	17	15
129100-01580	4	1	129150-02870	1	34	129242-55770	16	20	129698-77220	17	17
		11	129150-02930	1	28	129242-77010	17	2	129698-77230	17	18
	10	2	129150-02940	1	37	129242-77100	17	4	129698-77250	17	19
129100-01640	4	12	129150-03070	5	45	129242-77110	17	5	129792-39410	11	26
129100-01730	4	2	129150-03090	5	56	129242-77120	17	6	129795-01780	4	14
129100-01760	4	4	129150-11230	5	11	129242-77130	17	7	129795-01800	2	6
129100-11130	5	27	129150-11280	5	9	129242-77140	17	8		3	6
129100-23910	10	24	129150-11370	5	14	129242-77150	17	9	129795-01900	19	1
129100-35301	11	4	129150-11750	5	13	129242-77160	17	10	129795-01950	2	16
129100-42051	13	3	129150-11810	5	24	129242-77170	17	11		3	16
129100-42121	13	4	129150-13110	7	2	129242-77180	17	13	129795-02411	1	13
129100-55690	16	13		20	10	129242-77210	17	16	129795-11120	5	28
129100-77500	6	9	129150-14101	8	21	129242-77260	17	20	129795-11180	5	29
129100-77510	6	10	129150-14200	8	1	129242-77270	17	22	129795-21661	10	9
	20	28	129150-14400	8	2	129242-77280	17	23	129795-49551	13	23
129103-49301	11	23	129150-23600	10	26	129246-61061	24	104		20	14
129122-44480	2	32	129150-23610	10	28	129246-61441	24	23	129900-07900	5	1
	3	32	129150-25301	8	10	129255-61410	22	21	129900-32130	2	9
129129-01600	4	24	129150-35041	11	3		24	21		3	9
129129-14580	8	15		20	12	129266-18010	9	5	129916-49740	13	13
129129-77010	18	1	129150-35111	11	11	129350-49530	13	22	129916-59020	21	126
129129-77210	18	6		20	24	129400-92420	20	36		23	126
129129-77220	18	7	129150-35170	11	12	129403-18091	9	3	158552-51151	8	12
129129-77230	18	8	129150-49811	13	21		20	29	158552-51570	21	68
129129-77240	18	9		20	15	129403-39610	12	5			69
129129-77250	18	10	129150-59120	15	5	129403-42380	13	40		23	68
129129-77260	18	21	129150-59131	15	4	129417-33110	11	7			69
129129-77270	18	22			8	129417-35150	11	10	158552-51580	21	72
129129-77280	18	23	129150-77511	6	11	129418-18320	9	4		23	72
129129-77290	18	24		20	9	129418-32320	2	10	158552-51600	21	83
129129-77300	18	25	129155-42350	13	44		3	10		23	83
129129-77310	18	27	129155-49801	13	20	129423-77200	19	2	158552-51670	21	4
129129-77320	18	28	129155-51280	22	5	129423-77710	19	17		23	4
129129-77330	18	29		24	5	129430-26070	2	36	158552-51780	21	91

Parts No. Index

Parts No.	Fig. No.	Ref. No.
158552-51780	23	91
158552-52100	21	98
	23	98
158552-52310	21	99
	23	99
158552-52400	21	114
	23	114
158552-61441	22	23
158552-61900	22	89 -1
	24	82 -1
158553-51551	21	65
	23	65
158553-51630	21	84
	23	84
158553-51640	21	86
	23	86
158553-51660	21	88
	23	88
158553-51670	21	77
	23	77
158553-51680	21	89
	23	89
158553-51770	21	118
	23	118
158553-61050	22	3
	24	2
158553-61070	24	3
158557-51570	21	70
	23	70
158560-51300	21	49
	23	49
158563-51281	21	47
		48
	23	47
		48
158563-51330	21	57
	23	57
158563-61060	22	1
158600-51270	21	46
	23	46
158601-51340	21	58
	23	58
158601-51550	21	66
	23	66
158601-51570	21	71
	23	71
158601-51650	21	87
	23	87
158601-51770	21	90
	23	90

Parts No.	Fig. No.	Ref. No.
158601-51790	21	92
	23	92
171002-66830	24	60
171008-03990	11	15
171051-01921	1	9
171056-49120	11	34
171340-21580	10	44
171340-21590	10	49
171353-44760	13	39
171420-01600	4	25
22190-080002	12	7
		9
	20	17
22190-100002	12	10
	20	26
22190-120000	22	70
	24	63
22190-120002	21	100
		101
		102
	23	100
		101
		102
22190-180002	21	103
		104
	23	103
		104
22190-220002	4	7
	20	33
22217-140000	8	13
	21	105
	23	105
22252-000260	10	19
22312-050140	21	106
	23	106
22351-030010	10	8
	11	33
22351-050010	21	107
	23	107
22351-060012	5	38
22512-070140	8	22
	10	6
22857-500100	5	50
		51
23000-022000	12	11
23000-041000	6	5
23000-060000	6	6
23080-015000	11	17
		21
23080-018000	11	22

Parts No.	Fig. No.	Ref. No.
23414-080000	12	16
	13	25
	20	32
23857-030000	12	8
23857-060000	21	110
	23	110
23876-010000	13	11
23876-020000	13	12
23876-030000	2	4
	3	4
23876-040000	2	5
	3	5
23887-120002	21	111
	22	72
	23	111
	24	65
24104-062054	10	42
24311-000070	21	113
	23	113
24311-000120	5	54
	20	19
24311-000160	16	15
24311-000320	2	23
	3	23
	5	55
	20	20
24314-000160	12	12
	20	31
24321-000650	16	14
24321-000750	16	14 -1
24321-000800	2	37
	20	34
24341-000240	2	29
	3	29
	20	21
24341-000280	22	89
	24	82
24341-000360	22	90
24341-000400	5	52
	20	27
24356-010180	21	115
	23	115
24356-010200	21	80
		116
	23	80
		116
24372-000150	21	81
	23	81
25152-003600	13	41 -1
26014-080452	19	39

Parts No.	Fig. No.	Ref. No.
26106-060102	21	117
	22	74
		91
	23	117
	24	53
		67
26106-060142	22	92
	24	83
		84
26106-060162	2	30
	3	30
	12	13
26106-060202	22	93
	24	85
26106-060302	13	48
26106-060402	13	43
26106-080122	12	14
		17
	13	36
26106-080142	5	2
	8	3
26106-080162	2	24
		25
		35
	3	24
		25
	4	8
	13	18
	14	2
26106-080202	6	7
	11	24
	14	3
26106-080222	10	43
	13	24
26106-080252	2	38
	4	9
	5	39
26106-080302	16	3
26106-080352	4	16
	5	40
	11	5
26106-080402	6	13
	8	9
26106-080452	4	10
		10 -1
	13	37
26106-080502	4	26
	5	41
26106-080552	2	26
	3	26

Parts No. Index

Parts No.	Fig. No.	Ref. No.
26106-080602	13	19
26106-080802	6	8
26106-100302	2	39
26116-060102	22	54
26116-120202	17	1
26116-120252	18	35
26206-100202	4	21
26206-100252	4	19
26206-100302	4	20
26306-080002	2	27
	3	27
	9	2
26306-100002	19	30
26366-060002	12	15
26450-080452	21	123
	23	123
26756-060002	22	75
	24	68
26776-140002	8	14
	21	124
	23	124
27241-120000	1	14
27241-300000	1	15
27241-400000	5	34
27310-080001	5	32
719802-01500	3	1
729005-01500	2	1
729005-53101	15	31
729006-01560	1	1
729006-51310	14	4
	21	1
729046-51390	14	5
	23	1
729046-53100	15	32
729246-92690	20	2
729246-92730	20	1
729402-23100	10	20
977770-01212	2	31
	3	31
	4	17
	5	58
	20	37
X0280210230	18	11
X0283060061	18	2
X0283270140	18	12
X2114535200	17	21
X9490561001	19	3
X9490561370	18	4
X9491200240	18	5
X9491703371	18	13

Parts No.	Fig. No.	Ref. No.
X9491730461	18	26

Parts No.	Fig. No.	Ref. No.
-----------	----------	----------

Parts No.	Fig. No.	Ref. No.
-----------	----------	----------