

OCR10-M60600EN

PREFACE

- 1.This Parts Catalog carries all parts incorporated in YANMAR Model 3TNV84T-KMW engine manufactured since April, 2005.
- 2.Each illustration corresponds to the parts list on the following page.
- 3.When ordering parts,clearly write down the engine model and serial number,as well as the name and number of each part in your order sheet. This will help insure reliable delivery of the parts you have ordered.

Directions for the Parts Catalog.

1. This Parts Catalog shows both standard and optional parts.
2. Parts may change without prior notice.
3. The following is an example of the Parts Catalog format.

REF.	LEV.	PARTS NO.	DESCRIPTION	Q'TY						I	R
				(A)	(B)	(C)	(D)	(E)	(F)		
1	1	729595-51390	FUEL INJECTION PUMP	1	1	1	1	1			1
1-1	1	729595-51391	FUEL INJECTION PUMP	1	1	1	1	1		N	1
		(A=E00185) (B=E00200)									
3	2	26022-060162	SCREW M 6X 16	9	9	9	9	9			
3-1	2	26022-060162	SCREW M 6X 16	4	4	4	4	4		K	
		(A=E00156) (B=E00156) (C=E00156) (D=E00156) (E=E00156)									
4	2	129470-51040	CAMSHAFT	1	1	1	1	1			
5	2	122710-51050	BEARING, ROLLER	2	2	2	2	2			
6	2	129470-51060	RETAINER	1	1	1	1	1			

Remarks
(1) BOOST COMPEMSATOR TYPE. OPTIONAL PART, TO E00155,(4JH-DT, 4JH-DTZ

① Ref. No.

The Ref. No. listed may not be in accordance with the illustration Ref. No.

(Ex.) Illustration No.

List Ref No.

1 1 (Before change) → 1-1 (After change)

For interchangeable symbols N, R and K, illustrations for new parts may be abbreviated.

② Lev. (Level)

Level indication

The numbers below indicate the level of relativity towards the main part.

1 ---- Main parts (Assembly parts)

2 ---- Sub component included in " 1 ".

3 ---- Sub component included in " 2 ".

Note) Parts that are not for sale are partially illustrated but not listed.

③ Interchangeability Symbol

When a part change takes place, one of the following interchangeability symbols is indicated beside the part.

Symbol	Interchangeability	Contents note
N	Old $\begin{matrix} \leftarrow \text{Yes} \\ \text{No} \rightarrow \end{matrix}$ New	New Part is interchangeable for Old Part but Old Part is not interchangeable for New Part.
Q	Old $\begin{matrix} \leftarrow \text{No} \\ \text{Yes} \rightarrow \end{matrix}$ New	New Part is not interchangeable for Old Part but Old Part is interchangeable for New Part.
R	Old $\begin{matrix} \leftarrow \text{Yes} \\ \text{Yes} \rightarrow \end{matrix}$ New	New/ Old Parts are both interchangeable.
S	Old $\begin{matrix} \leftarrow \text{No} \\ \text{No} \rightarrow \end{matrix}$ New	New/ Old Parts are both not interchangeable.
W		Part newly added.
Z		Part discontinued.
F		Not interchangeable by a single part but interchangeable together with related parts.
K		Changes only for used parts quantities.

④ Effective Machine No.

When a part changes, the effective Machine No. will be indicated in the (A)-(F) column.

Product Symbol	Product No.	Product Symbol	Product No.
C	Clutch No. Compressor No.	F	Machine No. (Agricultural Equip.)
D	Drive No.	M	Machine No.
E	Engine No.		

Note 1) A date may follow the symbol. (Ex.) 1996.01

Note 2) "XXXXX" and "ZZZZZ" are for parts that could not be predicted or for engine models that could not be identified.

Note 3) (A=E00185) is the E (Engine Serial Number) for the column (A) model (in this case 4JH-DT) after the parts design change.

⑤ Remarks

Figures or alphabets (symbols) are entered in the remarks column.

The comments (remarks) on parts that are indicated at the bottom of the illustration are the same symbols as those stated above.

Contents

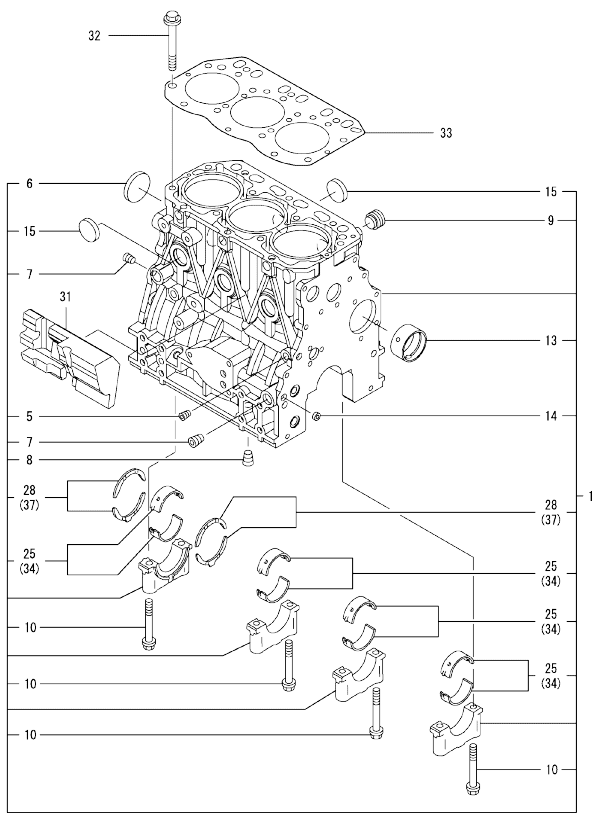
OCR10-M60600

Fig. No.	Fig. Name	Fig. No.	Fig. Name
ENGINE SECTION (3TNV84T-KMW)			
1.	CYLINDER BLOCK		
2.	GEAR HOUSING		
3.	MOUNTING FLANGE & OIL SUMP		
4.	CYLINDER HEAD & BONNET		
5.	SUCTION MANIFOLD		
6.	EXHAUST MANIFOLD & SILENCER		
7.	CAMSHAFT & DRIVING GEAR		
8.	TURBINE		
9.	CRANKSHAFT & PISTON		
10.	LUB.OIL SYSTEM		
11.	LUB.OIL LINE		
12.	COOLING WATER SYSTEM		
13.	FUEL INJECTION PUMP		
14.	GOVERNOR		
15.	FUEL INJECTION VALVE		
16.	FUEL LINE		
17.	STARTING MOTOR		
18.	GENERATOR		
19.	GASKET SET		

Fig.1. CYLINDER BLOCK

(A)=3TNV84T-KMW
(B)=
(C)=

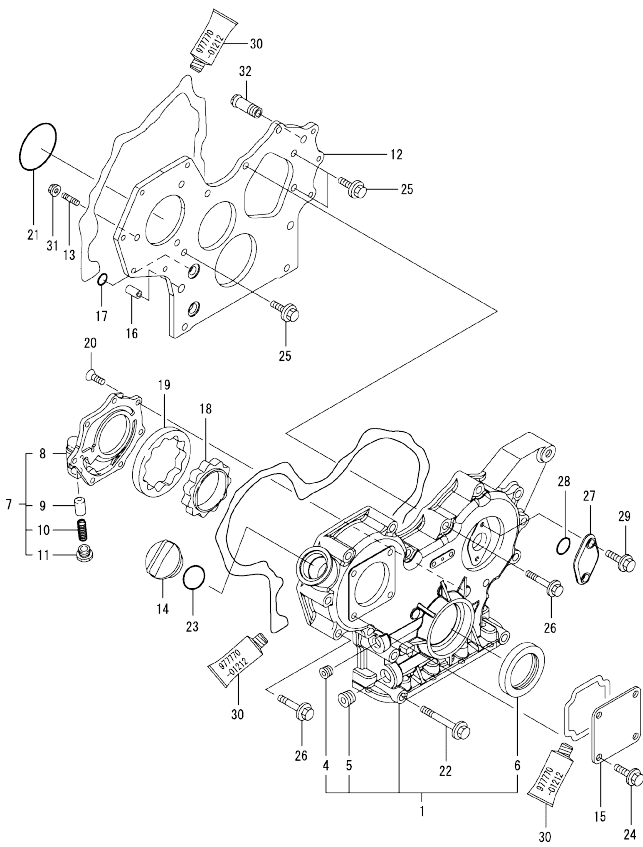
(D)=
(E)=
(F)=



No.	Lev.	Parts No.	Description	Q'ty						I	R
				(A)	(B)	(C)	(D)	(E)	(F)		
1	1	729006-01560	BLOCK ASSY, CYLINDER	1							
5	2	124060-01050	PLUG, PT1/8	1							
6	2	129001-01250	PLUG, 50	1							
7	2	124160-01910	PLUG, PT1/4	2							
8	2	124160-01910	PLUG, PT1/4	1							
9	2	171051-01921	PLUG, NPTF1	1							
10	2	129150-02020	BOLT, METAL CAP	8							
13	2	129795-02411	BUSH, CAMSHAFT	1							
14	2	27241-120000	PLUG, 12	2							
15	2	27241-300000	PLUG 30	6							
25	2	129001-02930	BEARING, MAIN	4							3
28	2	129150-02930	BEARING, THRUST	2							
31	1	129004-01190	SPACER	1							
32	1	129150-01200	BOLT, HEAD	14							
33	1	129002-01331	GASKET, HEAD	1							
34	1	129150-02870	BEARING, 0.25 US	4							1
37	1	129150-02940	BEARING, THRUST 0.25	1							2

Remarks
(1) UNDER-SIZE(U.S=0.25)PART.
(2) OVER-SIZE(O.S=0.25)PART.
(3) REPAIR PART.

Fig.2. GEAR HOUSING



No.	Lev.	Parts No.	Description	Q'ty						I	R
				(A)	(B)	(C)	(D)	(E)	(F)		
1	1	719802-01500	CASE ASSY, GEAR	1							
4	2	23876-030000	PLUG, R03	1							
5	2	23876-040000	PLUG, R04	1							
6	2	129795-01800	SEAL, OIL	1							
7	1	119802-32100	COVER ASSY	1							
8	2	119802-32070	COVER	1							
9	2	129900-32130	VALVE, RELIEF	1							
10	2	129418-32320	SPRING	1							
11	2	129001-32330	PLUG	1							
12	1	129006-01520	FLANGE, GEAR CASE	1							
13	1	119802-01560	STUD, M8X25	3							
14	1	124160-01751	COVER, FILLER	1							
15	1	124240-01871	COVER	1							
16	1	129795-01950	PIPE, KNOCK L=18	2							
17	1	119609-32040	O-RING, P16	4							
18	1	119802-32111	ROTOR, INNER	1							
19	1	119802-32120	ROTOR, OUTER	1							
20	1	119802-32130	SCREW, M6X16	7							
21	1	121850-51960	O-RING	1							
22	1	129001-91841	BOLT, M8X85	3							
23	1	24311-000320	O-RING, 1AP32.0	1							
24	1	26106-080162	BOLT, M8X 16 PLATED	4							
25	1	26106-080162	BOLT, M8X 16 PLATED	3							
26	1	26106-080552	BOLT, M8X 55 PLATED	12							
27	1	121023-01550	COVER	1							
28	1	24341-000240	O-RING, 1AS24.0	1							
29	1	26106-060162	BOLT, M6X 16 PLATED	2							
30	1	977770-01212	GASKET, LIQUID	1							1
31	1	26306-080002	NUT, M8	3							
32	1	129122-44480	JOINT	1							

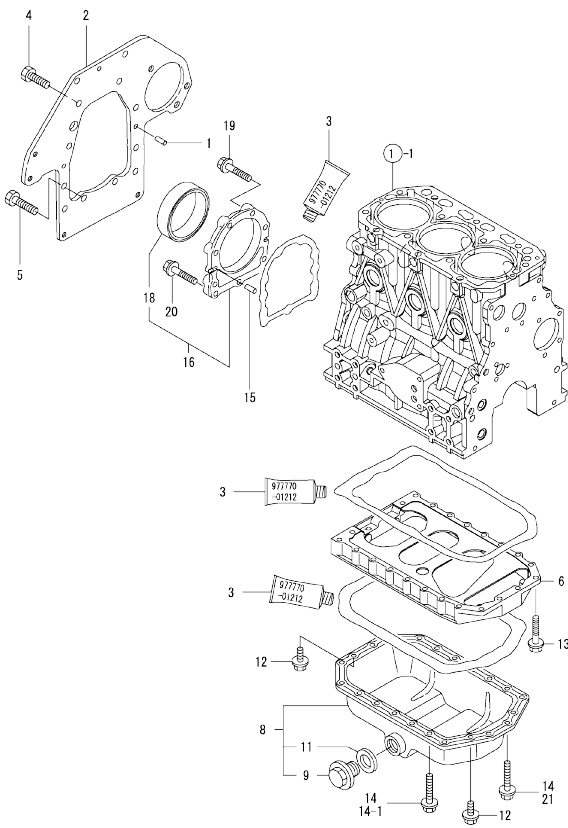
Remarks
(1) OPTIONAL PART.

N:Old $\frac{100}{100}$ New. Q:Old $\frac{100}{100}$ New. R:Old $\frac{100}{100}$ New. S:Old $\frac{100}{100}$ New. W:Add. Z:Discontinued. F:Interchangeable by set. K:Qty Change
Copyright (C) YANMAR CO., LTD. All Rights Reserved.

Fig.3. MOUNTING FLANGE & OIL SUMP

(A)=3TNV84T-KMW
(B)=
(C)=

(D)=
(E)=
(F)=

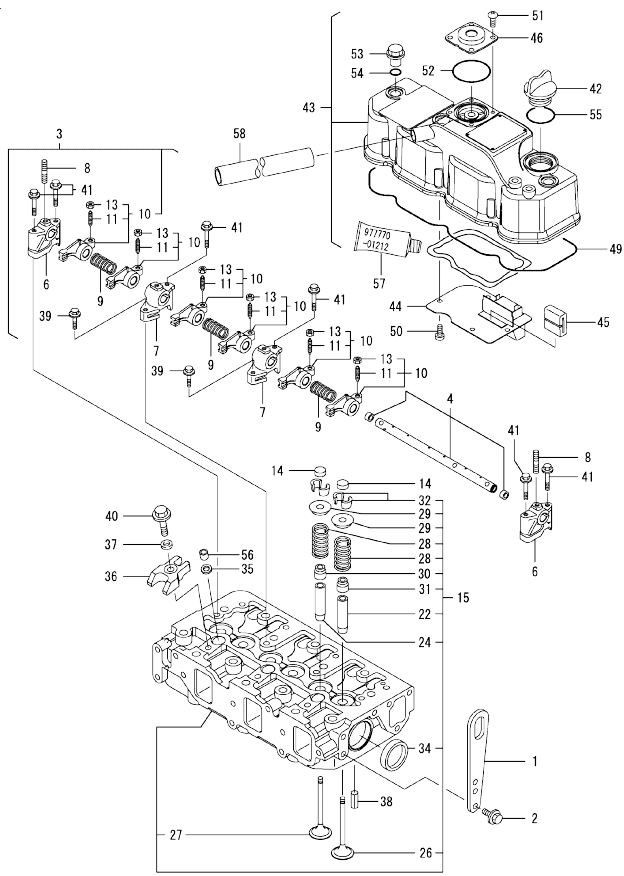


No.	Lev.	Parts No.	Description	Q'ty						I	R
				(A)	(B)	(C)	(D)	(E)	(F)		
1	1	129100-01580	PIN, M8X16	2							
2	1	119820-01600	PLATE	1							
3	1	977770-01212	GASKET, LIQUID	1							1
4	1	26206-100202	BOLT, M10X 20 PLATED	6							
5	1	26206-100252	BOLT, M10X 25 PLATED	4							
6	1	129100-01730	SPACER, OIL SUMP	1							
8	1	129175-01770	SUMP ASSY, OIL	1							
9	2	119640-01640	PLUG, DRAIN M22	1							
11	2	22190-220002	WASHER, SEAL 22	1							
12	1	26106-080162	BOLT, M8X 16 PLATED	4							
13	1	26106-080252	BOLT, M8X 25 PLATED	2							
14	1	26106-080452	BOLT, M8X 45 PLATED	20							
14-1	1	26106-080452	BOLT, M8X 45 PLATED	16							K
(A=FROM 1ST)											
15	1	129100-01580	PIN, M8X16	2							
16	1	129100-01640	CASE ASSY, OIL SEAL	1							
18	2	129795-01780	SEAL, OIL	1							
19	1	129486-01670	BOLT, M8X30	6							
20	1	26106-080352	BOLT, M8X 35 PLATED	3							
21	1	26106-080502	BOLT, M8X 50 PLATED	4							W
(A=FROM 1ST)											

Remarks
(1) OPTIONAL PART.

N:Old $\frac{100}{100}$ New, Q:Old $\frac{100}{100}$ New, R:Old $\frac{100}{100}$ New, S:Old $\frac{100}{100}$ New, W:Add, Z:Discontinued, F:Interchangeable by set, K:Q'ty Change
Copyright (C) YANMAR CO., LTD. All Rights Reserved.

Fig.4. CYLINDER HEAD & BONNET



(A)=3TNV84T-KMW
(B)=
(C)=

(D)=
(E)=
(F)=

No.	Lev.	Parts No.	Description	Q'ty						I	R
				(A)	(B)	(C)	(D)	(E)	(F)		
1	1	129900-07900	LIFTER	1							
2	1	26106-080162	BOLT, M8X 16 PLATED	2							
3	1	129004-11241	SHAFT ASSY, ROCKER	1							
4	2	129004-11251	SHAFT, ROCKER ARM	1							
6	2	119802-11260	SUPPORT, ROCKER ARM	2							
7	2	119802-11270	SUPPORT, ROCKER ARM	2							
8	2	119802-11280	STUD	3							
9	2	129150-11280	SPRING	3							
10	2	129004-11650	ARM, ROCKER	6							
11	3	129150-11230	SCREW, VALVE ADJUST	6							
13	3	129150-11750	NUT, M8	6							
14	1	129150-11370	CAP, VALVE	6							
15	1	129006-11700	HEAD ASSY, CYLINDER	1							
22	2	120130-11860	GUIDE, VALVE	3							1
24	2	129150-11810	GUIDE, VALVE	3							1
26	2	129004-11101	VALVE, INTAKE	3							
27	2	129100-11130	VALVE, EXHAUST	3							
28	2	129795-11120	SPRING, VALVE	6							
29	2	129795-11180	RETAINER, SPRING	6							
30	2	121400-11340	SEAL, VALVE STEM	3							
31	2	124460-11340	SEAL, VALVE STEM	3							
32	2	27310-080001	COTTER, 8	6							
34	2	27241-400000	PLUG, 40	2							
35	1	119625-11880	SEAT, NOZZLE	3							
36	1	129004-11900	RETAINER, NOZZLE	3							
37	1	120270-54410	WASHER, INJECTOR	3							
38	1	22351-060012	PIN, SPRING 6.0X12	2							
39	1	26106-080252	BOLT, M8X 25 PLATED	2							
40	1	26106-080352	BOLT, M8X 35 PLATED	3							
41	1	26106-080502	BOLT, M8X 50 PLATED	6							
42	1	124160-01751	COVER, FILLER	1							
43	1	129006-11350	BONNET ASSY, HEAD	1							
44	2	129004-03010	PLATE	1							
45	2	129150-03070	BAFFLE, BREATHER	1							
46	2	129006-03120	COVER, DIAPHRAGM	1							
49	2	129004-11310	GASKET, BONNET	1							
50	2	22857-500100	SCREW, 5X10	4							
51	2	22857-500100	SCREW, 5X10	4							
52	2	24341-000400	O-RING, 1AS40.0	1							
53	1	124160-11360	KNOB	3							
54	1	24311-000120	O-RING, 1AP12.0	3							
55	1	24311-000320	O-RING, 1AP32.0	1							
56	1	119802-11870	PROTECTOR, NOZZLE	3							
57	1	977770-01212	GASKET, LIQUID	1							
58	1	129150-03090	HOSE, ID16X2T	1							2

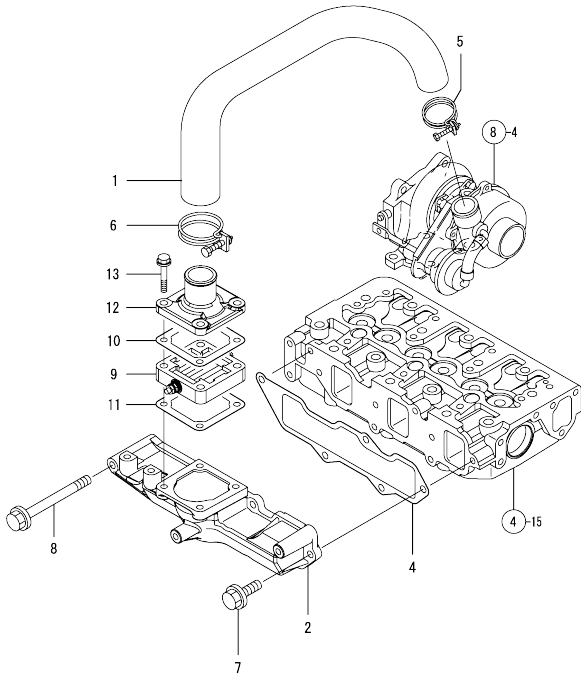
Remarks

- (1) REPAIR PART.
- (2) OPTIONAL PART.

Fig.5. SUCTION MANIFOLD

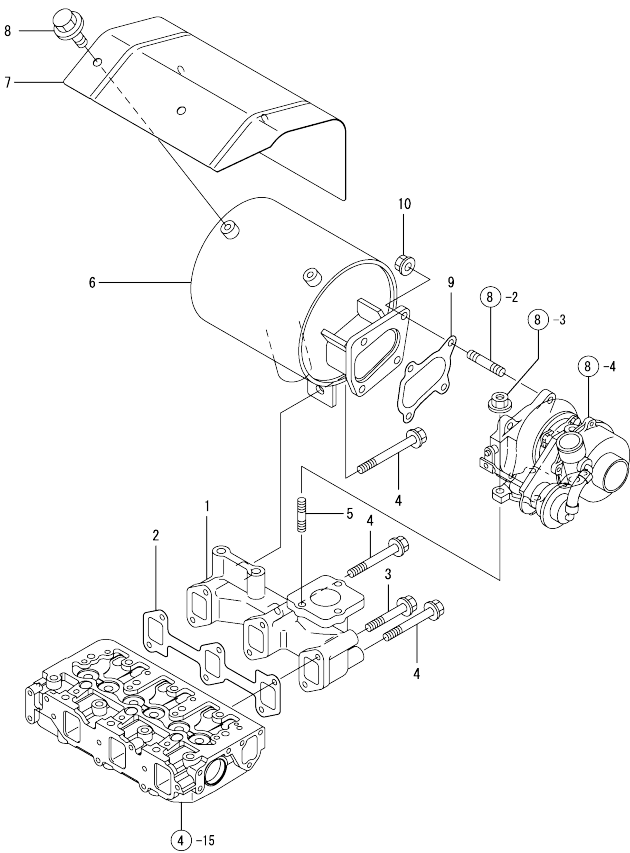
(A)=3TNV84T-KMW
(B)=
(C)=

(D)=
(E)=
(F)=



No.	Lev.	Parts No.	Description	Q'ty					
				(A)	(B)	(C)	(D)	(E)	(F)
1	1	129006-12070	PIPE, AIR INTAKE	1					
2	1	129006-12110	MANIFOLD, AIR INTAKE	1					
4	1	129001-12110	GASKET, MANIFOLD	1					
5	1	23000-041000	CLAMP, 41	1					
6	1	23000-060000	CLAMP, 60	1					
7	1	26106-080202	BOLT, M8X 20 PLATED	4					
8	1	26106-080802	BOLT, M8X 80 PLATED	1					
9	1	129100-77500	HEATER, AIR 12V	1					
10	1	129100-77510	GASKET, AIR HEATER	1					
11	1	129150-77511	GASKET	1					
12	1	129165-77520	BEND, AIR HEATER	1					
13	1	26106-080402	BOLT, M8X 40 PLATED	4					

Fig.6. EXHAUST MANIFOLD & SILENCER



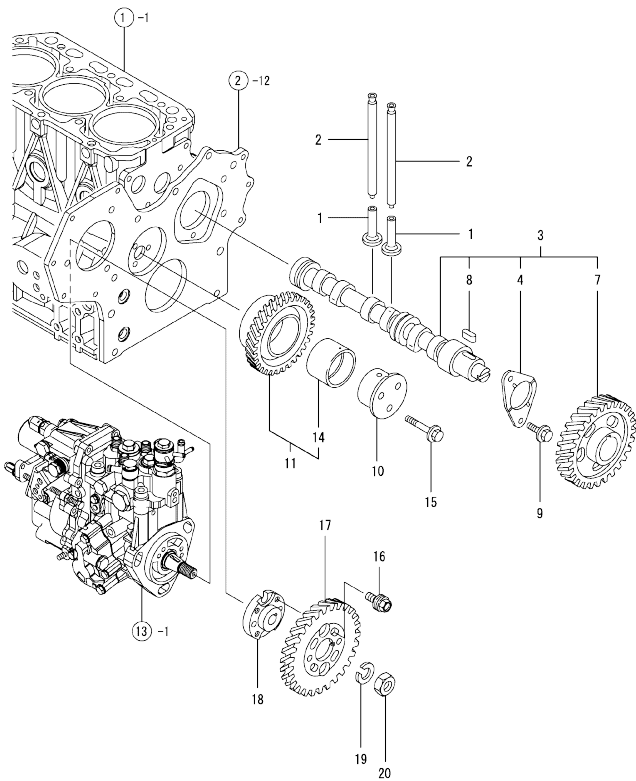
(A)=3TNV84T-KMW
(B)=
(C)=

(D)=
(E)=
(F)=

No.	Lev.	Parts No.	Description	Q'ty						I	R
				(A)	(B)	(C)	(D)	(E)	(F)		
1	1	129103-13100	MANIFOLD, EXHAUST	1							
2	1	129150-13110	GASKET	1							
3	1	119802-13620	BOLT, M8X50	2							
4	1	119802-13640	BOLT, M8X60 10.9T	4							
5	1	119131-18320	STUD, M8X22	3							
6	1	129033-13500	SILENCER	1							
7	1	129165-13530	COVER, SILENCER	1							
8	1	26106-080102	BOLT, M8X 10 PLATED	4							
9	1	129403-18091	GASKET	1							
10	1	26306-080002	NUT, M8	4							

OCR10-M60600 ENGINE SECTION (3TNV84T-KMW)
 Fig.7. CAMSHAFT & DRIVING GEAR

OCR10-M60600 Fig.7



(A)=3TNV84T-KMW
 (B)=
 (C)=

(D)=
 (E)=
 (F)=

No.	Lev.	Parts No.	Description	Q'ty						I	R
				(A)	(B)	(C)	(D)	(E)	(F)		
1	1	129150-14200	TAPPET	6							
2	1	129150-14400	ROD, PUSH L=178	6							
3	1	129129-14580	CAMSHAFT ASSY	1							
4	2	129150-02450	BEARING, THRUST	1							
7	2	129150-14101	GEAR, CAMSHAFT	1							
8	2	22512-070140	KEY, 7X 14	1							
9	1	26106-080142	BOLT, M8X 14 PLATED	2							
10	1	119802-25051	SHAFT, IDLE	1							
11	1	119802-25100	GEAR ASSY, IDLE	1							
14	2	119802-25070	BUSH, IDLE GEAR	1							1
15	1	26106-080402	BOLT, M8X 40 PLATED	3							
16	1	129150-25301	BOLT	4							
17	1	119802-25901	GEAR, PUMP	1							
18	1	158552-51151	FLANGE	1							
19	1	22217-140000	WASHER, SPRING 14	1							
20	1	26776-140002	NUT, LOCK M14	1							

Remarks
 (1) REPAIR PART.

N:Old $\frac{100}{100}$ New, Q:Old $\frac{100}{100}$ New, R:Old $\frac{100}{100}$ New, S:Old $\frac{100}{100}$ New, W:Add, Z:Discontinued, F:Interchangeable by set, K:Q'ty Change
 Copyright (C) YANMAR CO., LTD. All Rights Reserved.

Fig.8. TURBINE

(A)=3TNV84T-KMW
(B)=
(C)=

(D)=
(E)=
(F)=

No.	Lev.	Parts No.	Description	Q'ty					
				(A)	(B)	(C)	(D)	(E)	(F)
1	1	129535-18100	GASKET	1					
2	1	129418-18320	STUD, M8X20	4					
3	1	26306-080002	NUT, M8	3					
4	1	129006-18020	TURBINE, RHB31W/G	1					

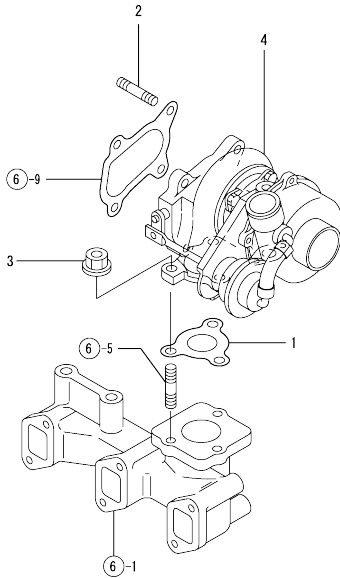
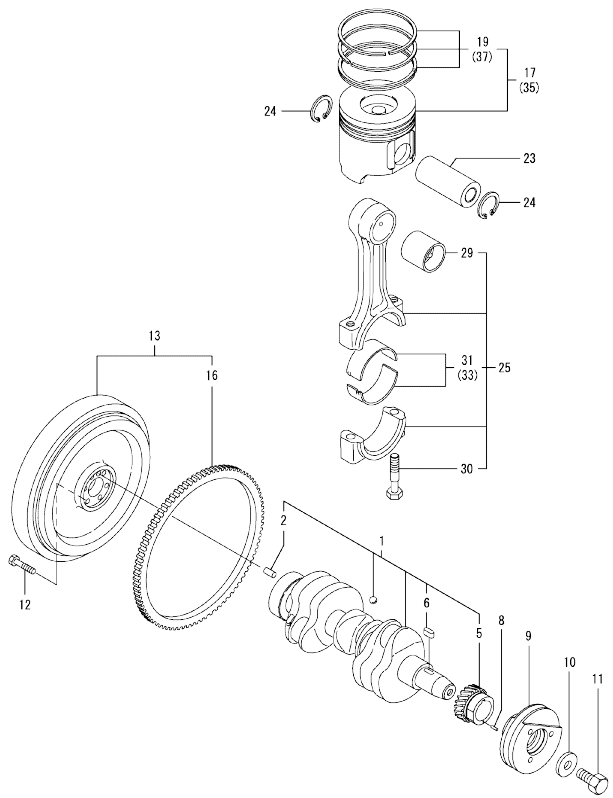


Fig.9. CRANKSHAFT & PISTON

(A)=3TNV84T-KMW
(B)=
(C)=

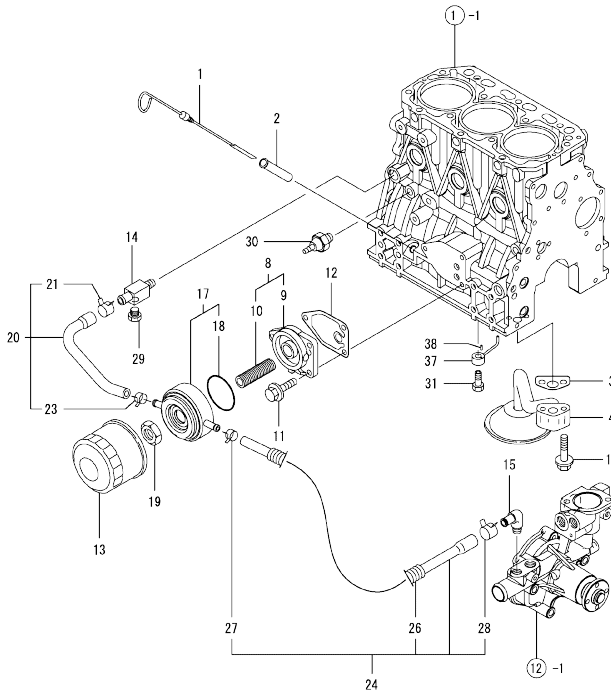
(D)=
(E)=
(F)=



No.	Lev.	Parts No.	Description	Q'ty						I	R	
				(A)	(B)	(C)	(D)	(E)	(F)			
1	1	129004-21002	CRANKSHAFT ASSY	1								
2	2	129100-01580	PIN, M8X16	1								
5	2	119802-21202	GEAR, CRANKSHAFT	1								
6	2	22512-070140	KEY, 7X 14	1								
8	1	22351-030010	PIN, SPRING 3.0X10	1								
9	1	129004-21650	V-PULLEY, 110	1								
10	1	129795-21661	WASHER	1								
11	1	121850-21680	BOLT	1								
12	1	121111-21501	BOLT, FLYWHEEL	6								
13	1	171340-21580	FLYWHEEL ASSY	1								
16	2	119865-21600	GEAR, RING	1								
17	1	129007-22080	PISTON ASSY	3								
19	2	129007-22500	RING SET, PISTON	3								
23	1	129202-22300	PIN, PISTON D26 L70	3								
24	1	22252-000260	RING, 26	6								
25	1	729402-23100	ROD ASSY, CONNECTING	3								
29	2	129100-23910	BEARING, PISTON PIN	3								1
30	2	121550-23200	BOLT, CONNECTING ROD	6								
31	2	129150-23600	BEARING, CRANK PIN	3								
33	1	129150-23610	BEARING, 0.25 US	3								2
35	1	129007-22900	PISTON ASSY, 0.25 OS	3								3
37	2	129007-22510	RING SET, 0.25 OS	3								3

Remarks
(1) REPAIR PART.
(2) UNDER-SIZE(U.S=0.25)PART.
(3) OVER-SIZE(O.S=0.25)PART.

Fig.10. LUB.OIL SYSTEM



(A)=3TNV84T-KMW
(B)=
(C)=

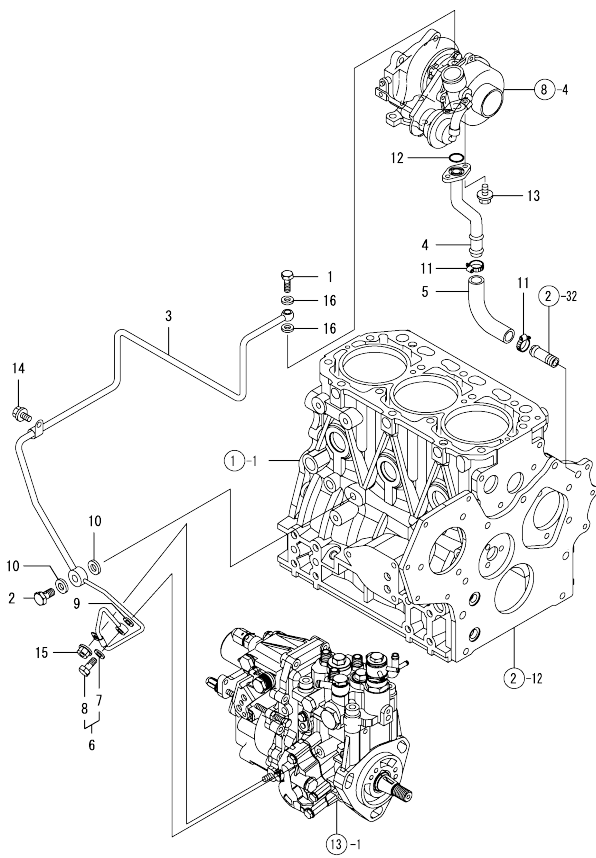
(D)=
(E)=
(F)=

No.	Lev.	Parts No.	Description	Q'ty						I	R
				(A)	(B)	(C)	(D)	(E)	(F)		
1	1	129005-34802	DIPSTICK, OIL	1							
2	1	121520-34810	GUIDE, DIPSTICK	1							
3	1	129150-35042	GASKET	1							
4	1	129150-35091	PIPE ASSY, OIL INLET	1							
8	1	129006-35100	BRACKET ASSY, FILTER	1							
9	2	119802-35110	BRACKET, FILTER	1							
10	2	129417-35150	STUD, L=67	1							
11	1	26106-080202	BOLT, M8X 20 PLATED	3							
12	1	129150-35111	GASKET	1							
13	1	129150-35170	FILTER,LO	1							1
14	1	129006-44480	JOINT	1							
15	1	129103-49301	ELBOW, PT1/4	1							
16	1	26106-080352	BOLT, M8X 35 PLATED	2							
17	1	129508-33010	COOLER ASSY, OIL	1							
18	2	129508-33050	O-RING	1							
19	1	129417-33110	NUT	1							
20	1	129508-49030	PIPE ASSY, WATER	1							
21	2	171008-03990	CLIP, HOSE 18.5	1							
23	2	23080-015000	CLAMP, 15	1							
24	1	129006-49040	PIPE ASSY, WATER	1							
26	2	129642-49180	TUBE, CORRUGATED	1							
27	2	23080-015000	CLAMP, 15	1							
28	2	23080-018000	CLAMP, 18	1							
29	1	171056-49120	PLUG, DRAIN	1							
30	1	114250-39450	SWITCH, 0.5KG	1							
31	1	129792-39410	VALVE ASSY, CHECK	3							
37	1	129553-39650	NOZZLE	3							
38	1	22351-030010	PIN, SPRING 3.0X10	3							

Remarks
(1) REPAIR PART.

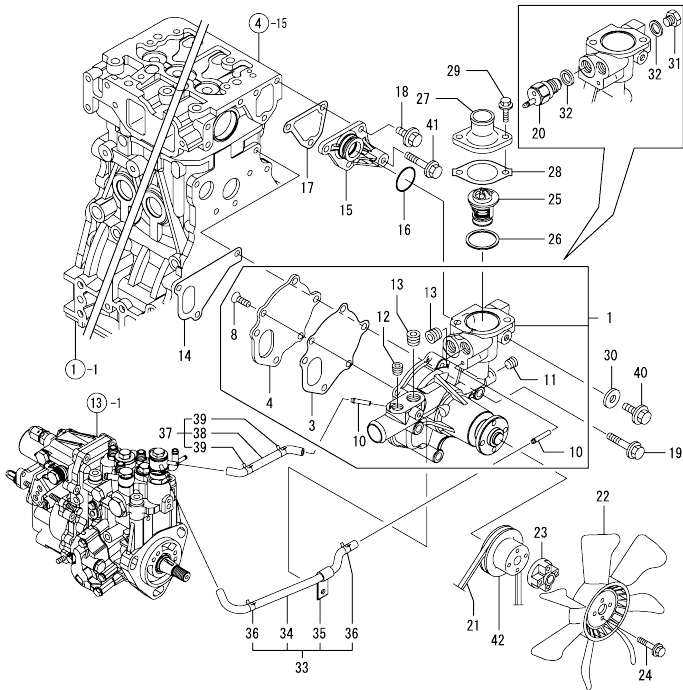
N:Old $\frac{100}{100}$ New, Q:Old $\frac{100}{100}$ New, R:Old $\frac{100}{100}$ New, S:Old $\frac{100}{100}$ New, W:Add, Z:Discontinued, F:Interchangeable by set, K:Q'ty Change
Copyright (C) YANMAR CO., LTD. All Rights Reserved.

Fig.11. LUB.OIL LINE



No.	Lev.	Parts No.	Description	Q'ty					
				(A)	(B)	(C)	(D)	(E)	(F)
1	1	105010-39140	BOLT, PIPE JOINT	1					
2	1	124160-39140	BOLT, PIPE JOINT M10	1					
3	1	129033-39450	PIPE ASSY, OIL	1					
4	1	129033-39600	PIPE, OIL	1					
5	1	129266-39620	JOINT, PIPE	1					
6	1	129005-59830	BOLT ASSY, JOINT M8	1					
7	2	22190-080002	WASHER, SEAL 6	1					
8	2	23857-030000	BOLT, JOINT 3	1					
9	1	22190-080002	WASHER, SEAL 6	1					
10	1	22190-100002	WASHER, SEAL 10	2					
11	1	23000-022000	CLAMP, 22	2					
12	1	24314-000160	O-RING, 4CP16.0	1					
13	1	26106-060162	BOLT, M6X 16 PLATED	2					
14	1	26106-080122	BOLT, M8X 12 PLATED	1					
15	1	26366-060002	NUT, M6	1					
16	1	23414-080000	GASKET, 8X1.0	2					

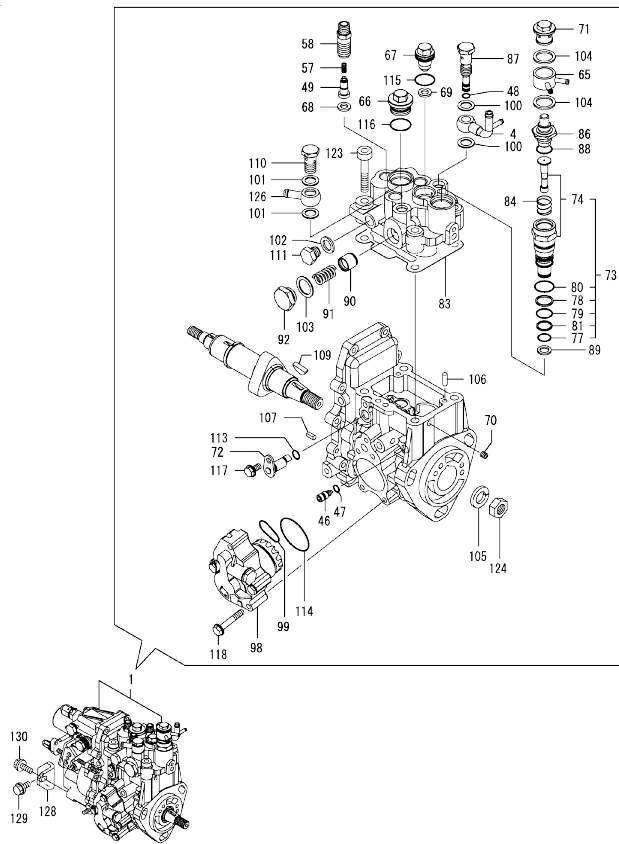
Fig.12. COOLING WATER SYSTEM



No.	Lev.	Parts No.	Description	Q'ty						I	R
				(A)	(B)	(C)	(D)	(E)	(F)		
1	1	129004-42001	PUMP ASSY, WATER	1							
3	2	129100-42051	GASKET, WATER PUMP	1							
4	2	129100-42121	PLATE	1							
8	2	121850-42410	SCREW	3							
10	2	119802-49113	JOINT, PIPE	2							
11	2	23876-010000	PLUG, R01	1							
12	2	23876-020000	PLUG, R02	1							
13	2	129916-49740	PLUG, R03	2							
14	1	129486-42021	GASKET, WATER PUMP	1							
15	1	129004-42040	JOINT	1							
16	1	129486-42140	O-RING, G30	1							
17	1	124395-49840	GASKET	1							
18	1	26106-080162	BOLT, M8X 16 PLATED	3							
19	1	26106-080602	BOLT, M8X 60 PLATED	3							
20	1	121250-44901	SWITCH, 110	1							
21	1	25132-003800	V-BELT, A38	1							
22	1	121267-44741	FAN, COOLING D=360	1							
23	1	171353-44760	SPACER, FAN	1							
24	1	26106-060402	BOLT, M6X 40 PLATED	4							
25	1	129155-49801	THERMOSTAT, 71	1							
26	1	129150-49811	GASKET, THERMOSTAT	1							
27	1	129350-49530	COVER, THERMOSTAT	1							
28	1	129795-49551	GASKET	1							
29	1	26106-080222	BOLT, M8X 22 PLATED	2							
30	1	23414-080000	GASKET, 8X1.0	1							
31	1	121450-42450	PLUG, M16	1							
32	1	124465-44950	GASKET, 16	2							
33	1	129004-49610	PIPE ASSY, WATER	1							
34	2	129004-49711	PIPE ASSY, WATER	1							
35	2	119802-49730	RETAINER, PIPE	1							
36	2	124722-59050	CLIP, HOSE 9	2							
37	1	129004-49620	PIPE ASSY, WATER	1							
38	2	129004-49721	PIPE ASSY, WATER	1							
39	2	124722-59050	CLIP, HOSE 9	2							
40	1	26106-080122	BOLT, M8X 12 PLATED	1							
41	1	26106-080452	BOLT, M8X 45 PLATED	1							
42	1	129403-42380	V-PULLEY, D=110	1							

N:Old $\frac{New}{Old}$ New, Q:Old $\frac{New}{Old}$ New, R:Old $\frac{New}{Old}$ New, S:Old $\frac{New}{Old}$ New, W:Add, Z:Discontinued, F:Interchangeable by set, K:Qty Change
 Copyright (C) YANMAR CO., LTD. All Rights Reserved.

Fig.13. FUEL INJECTION PUMP

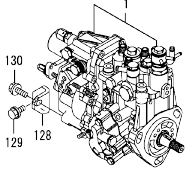
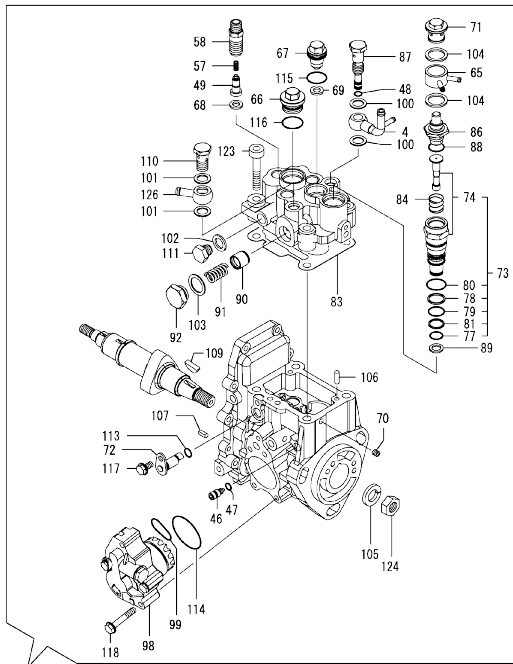


Remarks
 (1) GOVERNOR ASSY(FIG.14) IS
 INCORPORATED IN THIS FOP.CMP
 (REF.NO.1).

No.	Lev.	Parts No.	Description	Q'ty						I	R
				(A)	(B)	(C)	(D)	(E)	(F)		
1	1	729033-51390	PUMP ASSY, INJECTION	1							1
4	2	158552-51670	JOINT, OVER FLOW	1							
46	2	158600-51270	STOPPER, TAPPET	1							
47	2	158563-51281	O-RING, 4D S6	1							
48	2	158563-51281	O-RING, 4D S6	1							
49	2	158560-51300	VALVE ASSY, DELIVERY	3							
57	2	158563-51330	SPRING, DELIVERY	3							
58	2	158601-51340	HOLDER, DELIVERY	3							
65	2	158553-51551	JOINT	1							
66	2	158601-51550	PLUG	1							
67	2	119802-51560	PLUG, BARREL	1							
68	2	158552-51570	GASKET	3							
69	2	158552-51570	GASKET	1							
70	2	158557-51570	PLUG	1							
71	2	158601-51570	PLUG	1							
72	2	158552-51580	LIFTER	1							
73	2	119802-51590	TIMER SET	1							
74	3	119802-51600	TIMER ASSY	1							
77	3	158553-51670	O-RING, 1011	1							
78	3	119802-51680	RING, BACK UP	1							
79	3	119802-51690	O-RING	1							
80	3	24356-010200	O-RING, 4D1020	1							
81	3	24372-000150	RING, BACK UP T2P15	1							
83	2	158552-51600	GASKET	1							
84	2	158553-51630	SPRING, TIMER	1							
86	2	158553-51640	ELEMENT	1							
87	2	158601-51650	JOINT, OVER FLOW	1							
88	2	158553-51660	O-RING, P14	1							
89	2	158553-51680	GASKET	1							
90	2	158601-51770	PISTON	1							
91	2	158552-51780	SPRING	1							
92	2	158601-51790	PLUG	1							
98	2	158552-52100	PUMP ASSY, FUEL FEED	1							
99	2	158552-52310	O-RING	1							
100	2	22190-120002	WASHER, SEAL 12	2							
101	2	22190-120002	WASHER, SEAL 12	2							
102	2	22190-120002	WASHER, SEAL 12	1							
103	2	22190-180002	WASHER, SEAL 18	1							
104	2	22190-180002	WASHER, SEAL 18	2							
105	2	22217-140000	WASHER, SPRING 14	1							
106	2	22312-050140	PIN, PARALLEL M5X14	2							
107	2	22351-050010	PIN, SPRING 5.0X10	2							
109	2	119802-51090	KEY, 4X16	1							
110	2	23857-060000	BOLT, JOINT 6	1							
111	2	23887-120002	PLUG, 12	1							
113	2	24311-000070	O-RING, 1AP7.0	1							
114	2	158552-52400	O-RING, 4E S42	1							
115	2	24356-010180	O-RING, 4D1018	1							
116	2	24356-010200	O-RING, 4D1020	1							
117	2	26106-060102	BOLT, M6X 10 PLATED	1							
118	2	158553-51770	BOLT	4							

N:Old $\frac{New}{Old}$ New, Q:Old $\frac{New}{Old}$ New, R:Old $\frac{New}{Old}$ New, S:Old $\frac{New}{Old}$ New, W:Add, Z:Discontinued, F:Interchangeable by set, K:Q'ty Change
 ++ CONTINUE ++
 Copyright (C) YANMAR CO., LTD. All Rights Reserved.

Fig.13. FUEL INJECTION PUMP



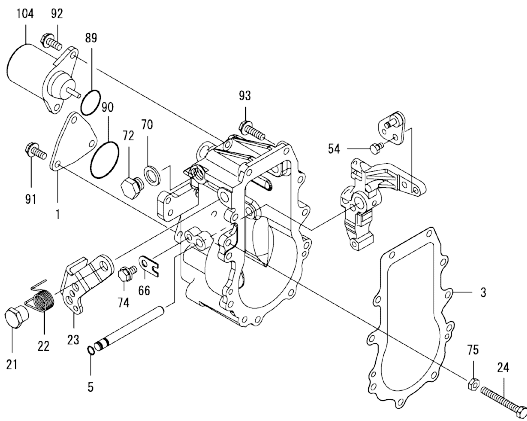
(A)=3TNV84T-KMW
(B)=
(C)=

(D)=
(E)=
(F)=

No.	Lev.	Parts No.	Description	Q'ty					
				(A)	(B)	(C)	(D)	(E)	(F)
123	2	26450-080452	BOLT, M8X 45	4					
124	2	26776-140002	NUT, LOCK M14	1					
126	2	129916-59020	JOINT, PIPE 12	1					
128	1	119802-51250	RETAINER, PUMP	1					
129	1	26106-080162	BOLT, M8X 16 PLATED	1					
130	1	26106-080202	BOLT, M8X 20 PLATED	1					

Remarks
(1) GOVERNOR ASSY(FIG.14) IS
INCORPORATED IN THIS FOP.CMP
(REF.NO.1).

Fig.14. GOVERNOR



(A)=3TNV84T-KMW
(B)=
(C)=

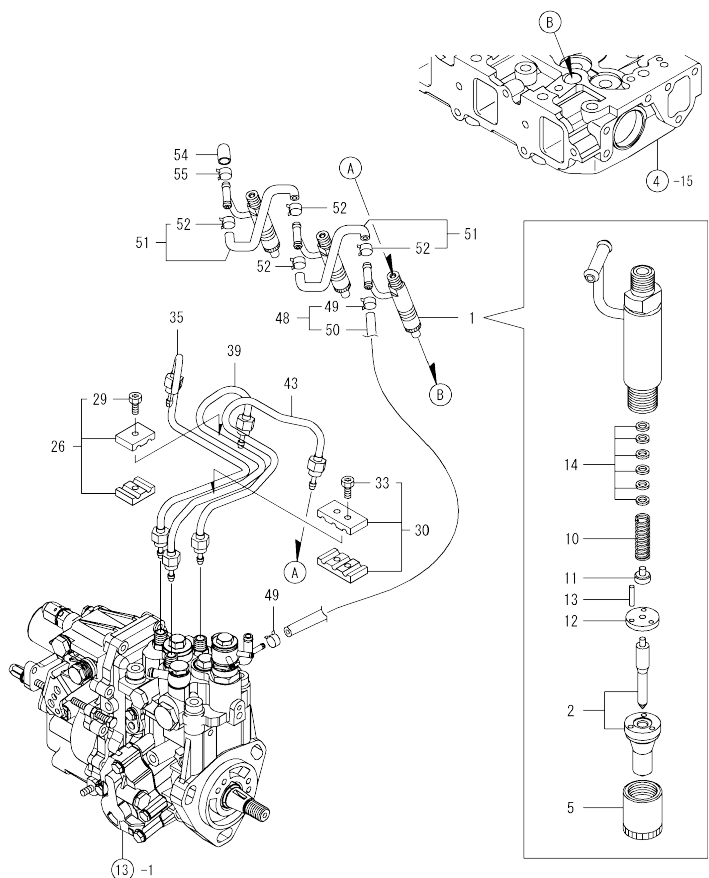
(D)=
(E)=
(F)=

No.	Lev.	Parts No.	Description	Q'ty						I	R
				(A)	(B)	(C)	(D)	(E)	(F)		
1	2	158563-61060	COVER, GOVERNOR CASE	1							
3	2	158553-61050	GASKET	1							
5	2	129155-51280	O-RING, S6	1							
21	2	129255-61410	NUT, LOCK	1							
22	2	119807-61420	SPRING, RETURN	1							
23	2	158552-61441	LEVER, REGULATOR	1							
24	2	129155-61460	BOLT, IDLE	1							
54	2	26116-060102	BOLT, M6X 10 PLATED	1							
66	2	119660-61901	RETAINER, SHAFT	1							
70	2	22190-120000	WASHER, SEAL 12	1							
72	2	23887-120002	PLUG, 12	1							
74	2	26106-060102	BOLT, M6X 10 PLATED	1							
75	2	26756-060002	NUT, LOCK M6	1							
89	2	24341-000280	O-RING, 1AS28.0	1							
89-1	2	158552-61900	O-RING	1							N
(A)=EXXXXX)											
90	2	24341-000360	O-RING, 1AS36.0	1							
91	2	26106-060102	BOLT, M6X 10 PLATED	3							
92	2	26106-060142	BOLT, M6X 14 PLATED	2							
93	2	26106-060202	BOLT, M6X 20 PLATED	10							
104	2	119653-77950	SOLENOID, STOP	1							

Remarks

* THIS FIGURE(GOVERNOR ASSY)IS INCORPORATED IN THE FUEL INJECTION PUMP ASSY(FIG.13).

Fig.15. FUEL INJECTION VALVE

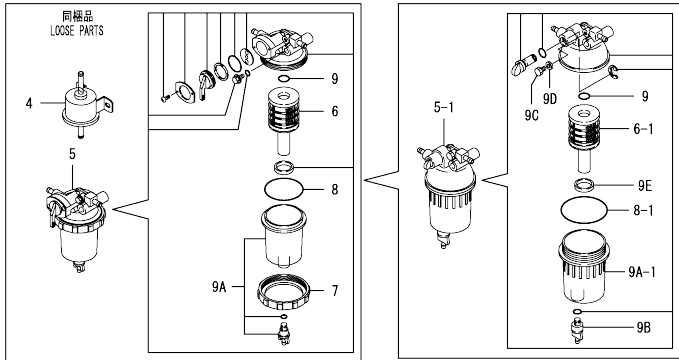
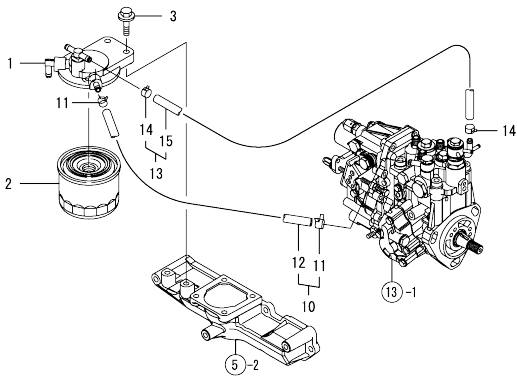


(A)=3TNV84T-KMW
(B)=
(C)=

(D)=
(E)=
(F)=

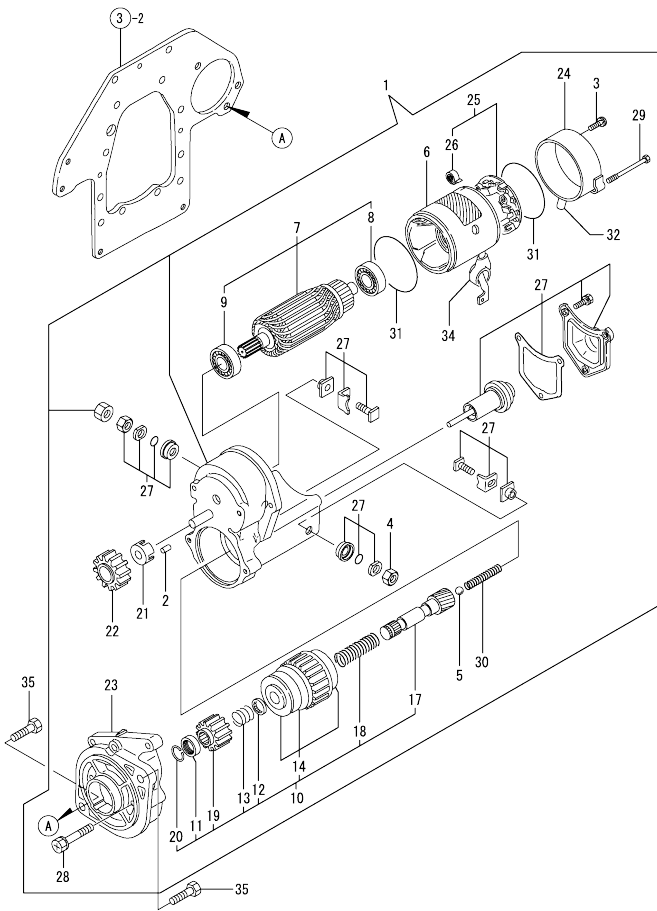
No.	Lev.	Parts No.	Description	Q'ty						I	R
				(A)	(B)	(C)	(D)	(E)	(F)		
1	1	729033-53101	VALVE ASSY,INJECTION	3							
2	2	129033-53001	VALVE ASSY,INJECTION	3							
5	2	114250-53080	NUT, NOZZLE D16.95	3							
10	2	114250-53120	SPRING, NOZZLE	3							
11	2	114250-53130	SEAT, SPRING	3							
12	2	114250-53140	PLATE	3							
13	2	114250-53210	PIN	6							
14	2	114250-53400	SHIM SET	3							
26	1	119305-59120	RETAINER, PIPE	1							
29	2	129150-59131	BOLT, M4X14	1							
30	1	129150-59120	RETAINER, PIPE	1							
33	2	129150-59131	BOLT, M4X14	2							
35	1	129004-59810	PIPE ASSY, INJECTION	1							
39	1	129004-59820	PIPE ASSY, INJECTION	1							
43	1	129004-59830	PIPE ASSY, INJECTION	1							
48	1	119802-59550	PIPE ASSY, RETURN	1							
49	2	124722-59050	CLIP, HOSE 9	2							
50	2	119802-59560	PIPE, FUEL RETURN	1							
51	1	129486-59551	PIPE ASSY, RETURN	2							
52	2	124722-59050	CLIP, HOSE 9	4							
54	1	119593-59580	CAP	1							
55	1	124060-77680	CLIP, HOSE 10	1							

Fig.16. FUEL LINE



No.	Lev.	Parts No.	Description	Q'ty						I	R
				(A)	(B)	(C)	(D)	(E)	(F)		
1	1	129004-55610	BRACKET, FILTER	1							
2	1	119802-55800	FILTER, FUEL	1							
3	1	26106-080302	BOLT, M8X 30 PLATED	2							
4	1	119225-52102	PUMP ASSY, FUEL FEED	1							
5	1	119802-55700	SEPARATOR ASSY	1							
5-1	1	129242-55700	SEPARATOR ASSY	1							N
(A=*2008.08.)											
6	2	119802-55710	ELEMENT	1							
6-1	2	129242-55730	ELEMENT	1							S
(A=*2008.08.)											
7	2	129100-55690	RING, RETAINING	1							Z
(A=*2008.08.)											
8	2	24321-000650	O-RING, 1AG65.0	1							
8-1	2	24321-000750	O-RING, 1AG75.0	1							S
(A=*2008.08.)											
9	2	24311-000160	O-RING, 1AP16.0	1							
9A	2	119802-55730	CUP ASSY	1							W
(A=FROM 1ST)											
9A-1	2	129242-55720	CUP	1							S
(A=*2008.08.)											
9B	2	129242-55740	PLUG, DRAIN	1							W
(A=*2008.08.)											
9C	2	129242-55750	VALVE, AIR VENT	1							W
(A=*2008.08.)											
9D	2	129242-55760	GASKET	1							W
(A=*2008.08.)											
9E	2	129242-55770	FLOAT	1							W
(A=*2008.08.)											
10	1	129210-59100	PIPE ASSY, FUEL	1							
11	2	124766-59050	CLIP, HOSE 12	2							
12	2	105025-59580	PIPE, FUEL	1							
13	1	129210-59230	PIPE ASSY, FUEL	1							
14	2	124766-59050	CLIP, HOSE 12	2							
15	2	129555-59511	PIPE, FUEL	1							

Fig.17. STARTING MOTOR

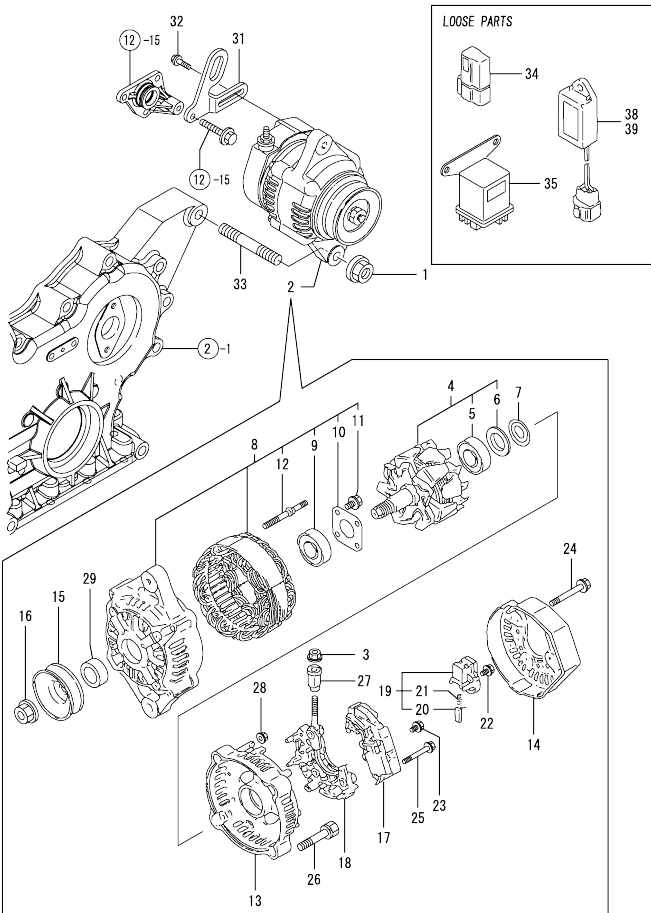


(A)=3TNV84T-KMW
(B)=
(C)=

(D)=
(E)=
(F)=

No.	Lev.	Parts No.	Description	Q'ty					
				(A)	(B)	(C)	(D)	(E)	(F)
1	1	129129-77010	STARTER ASSY	1					
2	2	X0283060061	ROLLER	5					
3	2	129129-77460	SCREW	2					
4	2	X9490561370	NUT	1					
5	2	X9491200240	BALL	1					
6	2	129129-77210	YOKE ASSY	1					
7	2	129129-77220	ARMATURE ASSY	1					
8	3	129129-77230	BEARING	1					
9	3	129129-77240	BEARING	1					
10	2	129129-77250	STARTER	1					
11	3	X0280210230	NUT	1					
12	3	X0283270140	RETAINER	1					
13	3	X9491703371	SPRING, COIL	1					
14	3	129129-77390	CLUTCH ASSY, STARTER	1					
17	3	129129-77400	SHAFT	1					
18	3	129129-77410	SPRING, COIL	1					
19	3	129129-77420	PINION	1					
20	3	129129-77430	RING	1					
21	2	129129-77260	RETAINER	1					
22	2	129129-77270	PINION	1					
23	2	129129-77280	HOUSING	1					
24	2	129129-77290	FRAME	1					
25	2	129129-77300	HOLDER ASSY	1					
26	3	X9491730461	SPRING	4					
27	2	129129-77310	SWITCH ASSY	1					
28	2	129129-77320	BOLT	2					
29	2	129129-77330	BOLT	2					
30	2	129129-77340	SPRING	1					
31	2	129129-77350	O-RING	2					
32	2	129129-77362	COVER	1					
34	2	129129-77380	CAP	1					
35	1	26116-120252	BOLT, M12X 25 PLATED	2					

Fig.18. GENERATOR



(A)=3TNV84T-KMW
(B)=
(C)=

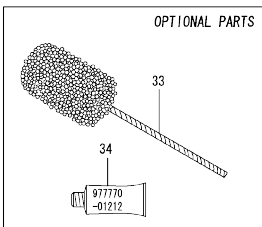
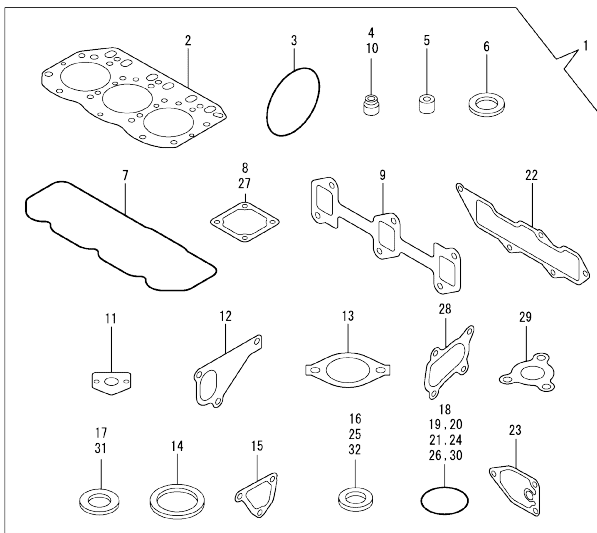
(D)=
(E)=
(F)=

No.	Lev.	Parts No.	Description	(A)	(B)	(C)	(D)	(E)	(F)	I	R
1	1	26306-100002	NUT, M10	1							
2	1	119620-77201	GENERATOR, 40A	1							
3	2	X9490561001	NUT	1							
4	2	119620-77380	ROTOR ASSY	1							
5	3	119620-79240	BALL BEARING	1							
6	3	119620-79250	COVER, BEARING	1							
7	2	119620-79360	WASHER, THRUST	1							
8	2	119620-77421	FRAME ASSY, DRIVE	1							
9	3	119620-79200	BALL BEARING	1							
10	3	119620-79210	PLATE	1							
11	3	119620-79220	SCREW	4							
12	3	119620-79230	BOLT, STUD	2							
13	2	119620-77440	FLAME ASSY, REAR	1							
14	2	119620-77450	COVER	1							
15	2	119620-77461	PULLEY	1							
16	2	119620-77471	NUT	1							
17	2	119620-77710	REGULATOR ASSY	1							
18	2	119620-79260	HOLDER	1							
19	2	119620-79270	HOLDER, BRUSH	1							
20	3	119620-77480	BRUSH ASSY	2							
21	3	119620-79280	SPRING	2							
22	2	119620-79290	SCREW	6							
23	2	119620-79300	SCREW	1							
24	2	119620-79310	BOLT	3							
25	2	119620-79320	SCREW W/WASHER	2							
26	2	119620-79330	BOLT	2							
27	2	119620-79340	INSULATION BUSH	1							
28	2	119620-79350	NUT	2							
29	2	119620-77490	COLLAR	1							
31	1	119820-77332	ADJUSTER	1							
32	1	119810-77340	BOLT, ADJUSTER	1							
33	1	129795-01900	STUD	1							
34	1	119643-66900	DIODE	1							
35	1	119650-77910	RELAY ASSY, GLOW	1							
38	1	128300-77920	TIMER	1							
39	1	129211-77920	TIMER	1							

Fig.19. GASKET SET

(A)=3TNV84T-KMW
(B)=
(C)=

(D)=
(E)=
(F)=



No.	Lev.	Parts No.	Description	Q'ty						I	R
				(A)	(B)	(C)	(D)	(E)	(F)		
1	1	729246-92800	GASKET SET	1							1
2	2	129002-01331	GASKET, HEAD	1							
3	2	121850-51960	O-RING	1							
4	2	124460-11340	SEAL, VALVE STEM	3							
5	2	119802-11870	PROTECTOR, NOZZLE	3							
6	2	119625-11880	SEAT, NOZZLE	3							
7	2	129004-11310	GASKET, BONNET	1							
8	2	129150-77511	GASKET	1							
9	2	129150-13110	GASKET	1							
10	2	121400-11340	SEAL, VALVE STEM	3							
11	2	129150-35042	GASKET	1							
12	2	129486-42021	GASKET, WATER PUMP	1							
13	2	129795-49551	GASKET	1							
14	2	129150-49811	GASKET, THERMOSTAT	1							
15	2	124395-49840	GASKET	1							
16	2	22190-080002	WASHER, SEAL 6	2							
17	2	124465-44950	GASKET, 16	2							
18	2	24311-000120	O-RING, 1AP12.0	3							
19	2	24311-000320	O-RING, 1AP32.0	2							
20	2	24341-000240	O-RING, 1AS24.0	1							
21	2	129486-42140	O-RING, G30	1							
22	2	129001-12110	GASKET, MANIFOLD	1							
23	2	129150-35111	GASKET	1							
24	2	119609-32040	O-RING, P16	4							
25	2	22190-100002	WASHER, SEAL 10	2							
26	2	24341-000400	O-RING, 1AS40.0	1							
27	2	129100-77510	GASKET, AIR HEATER	1							
28	2	129403-18091	GASKET	1							
29	2	129535-18100	GASKET	1							
30	2	24314-000160	O-RING, 4CP16.0	1							
31	2	23414-080000	GASKET, 8X1.0	3							
32	2	22190-220002	WASHER, SEAL 22	1							
33	1	129400-92420	FLEX HORN	1							1
34	1	977770-01212	GASKET, LIQUID	1							1

Remarks
(1) OPTIONAL PART.

Parts No. Index

Parts No.	Fig. No.	Ref. No.
105010-39140	11	1
105025-59580	16	12
114250-39450	10	30
114250-53080	15	5
114250-53120	15	10
114250-53130	15	11
114250-53140	15	12
114250-53210	15	13
114250-53400	15	14
119131-18320	6	5
119225-52102	16	4
119305-59120	15	26
119593-59580	15	54
119609-32040	2	17
	19	24
119620-77201	18	2
119620-77380	18	4
119620-77421	18	8
119620-77440	18	13
119620-77450	18	14
119620-77461	18	15
119620-77471	18	16
119620-77480	18	20
119620-77490	18	29
119620-77710	18	17
119620-79200	18	9
119620-79210	18	10
119620-79220	18	11
119620-79230	18	12
119620-79240	18	5
119620-79250	18	6
119620-79260	18	18
119620-79270	18	19
119620-79280	18	21
119620-79290	18	22
119620-79300	18	23
119620-79310	18	24
119620-79320	18	25
119620-79330	18	26
119620-79340	18	27
119620-79350	18	28
119620-79360	18	7
119625-11880	4	35
	19	6
119640-01640	3	9
119643-66900	18	34
119650-77910	18	35
119653-77950	14	104
119660-61901	14	66
119802-01560	2	13

Parts No.	Fig. No.	Ref. No.
119802-11260	4	6
119802-11270	4	7
119802-11280	4	8
119802-11870	4	56
	19	5
119802-13620	6	3
119802-13640	6	4
119802-21202	9	5
119802-25051	7	10
119802-25070	7	14
119802-25100	7	11
119802-25901	7	17
119802-32070	2	8
119802-32100	2	7
119802-32111	2	18
119802-32120	2	19
119802-32130	2	20
119802-35110	10	9
119802-49113	12	10
119802-49730	12	35
119802-51090	13	109
119802-51250	13	128
119802-51560	13	67
119802-51590	13	73
119802-51600	13	74
119802-51680	13	78
119802-51690	13	79
119802-55700	16	5
119802-55710	16	6
119802-55730	16	9 A
119802-55800	16	2
119802-59550	15	48
119802-59560	15	50
119807-61420	14	22
119810-77340	18	32
119820-01600	3	2
119820-77332	18	31
119865-21600	9	16
120130-11860	4	22
120270-54410	4	37
121023-01550	2	27
121111-21501	9	12
121250-44901	12	20
121267-44741	12	22
121400-11340	4	30
	19	10
121450-42450	12	31
121520-34810	10	2
121550-23200	9	30
121850-21680	9	11

Parts No.	Fig. No.	Ref. No.
121850-42410	12	8
121850-51960	2	21
	19	3
124060-01050	1	5
124060-77680	15	55
124160-01751	2	14
	4	42
124160-01910	1	7
		8
124160-11360	4	53
124160-39140	11	2
124240-01871	2	15
124395-49840	12	17
	19	15
124460-11340	4	31
	19	4
124465-44950	12	32
	19	17
124722-59050	12	36
		39
	15	49
		52
124766-59050	16	11
		14
		38
128300-77920	18	38
129001-01250	1	6
129001-02930	1	25
129001-12110	5	4
	19	22
129001-32330	2	11
129001-91841	2	22
129002-01331	1	33
	19	2
129004-01190	1	31
129004-03010	4	44
129004-11101	4	26
129004-11241	4	3
129004-11251	4	4
129004-11310	4	49
	19	7
129004-11650	4	10
129004-11900	4	36
129004-21002	9	1
129004-21650	9	9
129004-42001	12	1
129004-42040	12	15
129004-49610	12	33
129004-49620	12	37
129004-49711	12	34
129004-49721	12	38

Parts No.	Fig. No.	Ref. No.
129004-55610	16	1
129004-59810	15	35
129004-59820	15	39
129004-59830	15	43
129005-34802	10	1
129005-59830	11	6
129006-01520	2	12
129006-03120	4	46
129006-11350	4	43
129006-11700	4	15
129006-12070	5	1
129006-12110	5	2
129006-18020	8	4
129006-35100	10	8
129006-44480	10	14
129006-49040	10	24
129007-22080	9	17
129007-22500	9	19
129007-22510	9	37
129007-22900	9	35
129033-13500	6	6
129033-39450	11	3
129033-39600	11	4
129033-53001	15	2
129100-01580	3	1
		15
	9	2
129100-01640	3	16
129100-01730	3	6
129100-11130	4	27
129100-23910	9	29
129100-42051	12	3
129100-42121	12	4
129100-55690	16	7
129100-77500	5	9
129100-77510	5	10
	19	27
129103-13100	6	1
129103-49301	10	15
129122-44480	2	32
129129-14580	7	3
129129-77010	17	1
129129-77210	17	6
129129-77220	17	7
129129-77230	17	8
129129-77240	17	9
129129-77250	17	10
129129-77260	17	21
129129-77270	17	22
129129-77280	17	23

Parts No. Index

Parts No.	Fig. No.	Ref. No.	Parts No.	Fig. No.	Ref. No.	Parts No.	Fig. No.	Ref. No.	Parts No.	Fig. No.	Ref. No.
129129-77290	17	24	129155-51280	14	5	129795-49551	12	28	22190-120002	13	100
129129-77300	17	25	129155-61460	14	24		19	13			101
129129-77310	17	27	129165-13530	6	7	129900-07900	4	1	22190-180002	13	102
129129-77320	17	28	129165-77520	5	12	129900-32130	2	9			103
129129-77330	17	29	129175-01770	3	8	129916-49740	12	13	22190-220002	3	11
129129-77340	17	30	129202-22300	9	23	129916-59020	13	126		19	32
129129-77350	17	31	129210-59100	16	10	158552-51151	7	18	22217-140000	7	19
129129-77362	17	32	129210-59230	16	13	158552-51570	13	68		13	105
129129-77380	17	34	129211-77920	18	39			69	22252-000260	9	24
129129-77390	17	14	129242-55700	16	5 -1	158552-51580	13	72	22312-050140	13	106
129129-77400	17	17	129242-55720	16	9 A-1	158552-51600	13	83	22351-030010	9	8
129129-77410	17	18	129242-55730	16	6 -1	158552-51670	13	4		10	38
129129-77420	17	19	129242-55740	16	9 B	158552-51780	13	91	22351-050010	13	107
129129-77430	17	20	129242-55750	16	9 C	158552-52100	13	98	22351-060012	4	38
129129-77460	17	3	129242-55760	16	9 D	158552-52310	13	99	22512-070140	7	8
129150-01200	1	32	129242-55770	16	9 E	158552-52400	13	114		9	6
129150-02020	1	10	129255-61410	14	21	158552-61441	14	23	22857-500100	4	50
129150-02450	7	4	129266-39620	11	5	158552-61900	14	89 -1			51
129150-02870	1	34	129350-49530	12	27	158553-51551	13	65	23000-022000	11	11
129150-02930	1	28	129400-92420	19	33	158553-51630	13	84	23000-041000	5	5
129150-02940	1	37	129403-18091	6	9	158553-51640	13	86	23000-060000	5	6
129150-03070	4	45		19	28	158553-51660	13	88	23080-015000	10	23
129150-03090	4	58	129403-42380	12	42	158553-51670	13	77			27
129150-11230	4	11	129417-33110	10	19	158553-51680	13	89	23080-018000	10	28
129150-11280	4	9	129417-35150	10	10	158553-51770	13	118	23414-080000	11	16
129150-11370	4	14	129418-18320	8	2	158553-61050	14	3		12	30
129150-11750	4	13	129418-32320	2	10	158557-51570	13	70		19	31
129150-11810	4	24	129486-01670	3	19	158560-51300	13	49	23857-030000	11	8
129150-13110	6	2	129486-42021	12	14	158563-51281	13	47	23857-060000	13	110
	19	9		19	12			48	23876-010000	12	11
129150-14101	7	7	129486-42140	12	16	158563-51330	13	57	23876-020000	12	12
129150-14200	7	1		19	21	158563-61060	14	1	23876-030000	2	4
129150-14400	7	2	129486-59551	15	51	158600-51270	13	46	23876-040000	2	5
129150-23600	9	31	129508-33010	10	17	158601-51340	13	58	23887-120002	13	111
129150-23610	9	33	129508-33050	10	18	158601-51550	13	66		14	72
129150-25301	7	16	129508-49030	10	20	158601-51570	13	71	24311-000070	13	113
129150-35042	10	3	129535-18100	8	1	158601-51650	13	87	24311-000120	4	54
	19	11		19	29	158601-51770	13	90		19	18
129150-35091	10	4	129553-39650	10	37	158601-51790	13	92	24311-000160	16	9
129150-35111	10	12	129555-59511	16	15	171008-03990	10	21	24311-000320	2	23
	19	23	129642-49180	10	26	171051-01921	1	9		4	55
129150-35170	10	13	129792-39410	10	31	171056-49120	10	29		19	19
129150-49811	12	26	129795-01780	3	18	171340-21580	9	13	24314-000160	11	12
	19	14	129795-01800	2	6	171353-44760	12	23		19	30
129150-59120	15	30	129795-01900	18	33	22190-080002	11	7	24321-000650	16	8
129150-59131	15	29	129795-01950	2	16			9	24321-000750	16	8 -1
		33	129795-02411	1	13			19	24341-000240	2	28
129150-77511	5	11	129795-11120	4	28	22190-100002	11	10		19	20
	19	8	129795-11180	4	29			19	24341-000280	14	89
129155-49801	12	25	129795-21661	9	10	22190-120000	14	70			

Parts No. Index

Parts No.	Fig. No.	Ref. No.
24341-000360	14	90
24341-000400	4	52
	19	26
24356-010180	13	115
24356-010200	13	80
		116
24372-000150	13	81
25132-003800	12	21
26106-060102	13	117
	14	74
		91
26106-060142	14	92
26106-060162	2	29
	11	13
26106-060202	14	93
26106-060402	12	24
26106-080102	6	8
26106-080122	11	14
	12	40
26106-080142	7	9
26106-080162	2	24
		25
	3	12
	4	2
	12	18
	13	129
26106-080202	5	7
	10	11
	13	130
26106-080222	12	29
26106-080252	3	13
	4	39
26106-080302	16	3
26106-080352	3	20
	4	40
	10	16
26106-080402	5	13
	7	15
26106-080452	3	14
		14
	12	41
26106-080502	3	21
	4	41
26106-080552	2	26
26106-080602	12	19
26106-080802	5	8
26116-060102	14	54
26116-120252	17	35
26206-100202	3	4
26206-100252	3	5

Parts No.	Fig. No.	Ref. No.
26306-080002	2	31
	6	10
	8	3
26306-100002	18	1
26366-060002	11	15
26450-080452	13	123
26756-060002	14	75
26776-140002	7	20
	13	124
27241-120000	1	14
27241-300000	1	15
27241-400000	4	34
27310-080001	4	32
719802-01500	2	1
729006-01560	1	1
729033-51390	13	1
729033-53101	15	1
729246-92800	19	1
729402-23100	9	25
977770-01212	2	30
	3	3
	4	57
	19	34
X0280210230	17	11
X0283060061	17	2
X0283270140	17	12
X9490561001	18	3
X9490561370	17	4
X9491200240	17	5
X9491703371	17	13
X9491730461	17	26

Parts No.	Fig. No.	Ref. No.
-----------	----------	----------

Parts No.	Fig. No.	Ref. No.
-----------	----------	----------