

0CV10-M98100EN

PREFACE

1. This Parts Catalog carries all parts incorporated in YANMAR Model 3TNV84T-KMP engine manufactured since June, 2004.
2. Each illustration corresponds to the parts list on the following page.
3. When ordering parts, clearly write down engine model and serial number, as well as the name and number of each part in your order sheet. This will help insure reliable delivery of the parts you have ordered.

Directions for the Parts Catalog.

- The parts stipulated in this Parts Catalog are not necessarily standard equipped parts.
- Parts may change without prior notice.
- The following is an example of the Parts Catalog format.

REF.	LEV.	PARTS NO.	DESCRIPTION	Q'TY						I	R
				(A)	(B)	(C)	(D)	(E)	(F)		
1	1	729595-51390	FUEL INJECTION PUMP	1	1	1	1	1			1
1-1	1	729595-51391	FUEL INJECTION PUMP	1	1	1	1	1		N	1
		(A=E00185) (B=E00200)									
3	2	26022-060162	SCREW M 6X 16	9	9	9	9	9			
3-1	2	26022-060162	SCREW M 6X 16	4	4	4	4	4		K	
		(A=E00156) (B=E00156) (C=E00156) (D=E00156) (E=E00156)									
4	2	129470-51040	CAMSHAFT	1	1	1	1	1			
5	2	122710-51050	BEARING, ROLLER	2	2	2	2	2			
6	2	129470-51060	RETAINER	1	1	1	1	1			

Remarks
(1) BOOST COMPEMSATOR TYPE. OPTIONAL PART, TO E00155,(4JH-DT, 4JH-DTZ

① Ref. No.

The Ref. No. listed may not be in accordance with the illustration Ref. No.

(Ex.) Illustration No.

List Ref No.

1 1 (Before change) → 1-1 (After change)

For interchangeable symbols N, R and K, illustrations for new parts may be abbreviated.

② Lev. (Level)

Level indication

The numbers below indicate the level of relativity towards the main part.

1 ---- Main parts (Assembly parts)

2 ---- Sub component included in " 1 ".

3 ---- Sub component included in " 2 ".

Note) Parts that are not for sale are partially illustrated but not listed.

③ Interchangeability Mark

When a part change takes place, one of the following interchangeability symbols is indicated beside the part.

Symbol	Interchangeability	Contents note
N	Old $\begin{matrix} \leftarrow \text{Yes} \\ \text{No} \rightarrow \end{matrix}$ New	New Part is interchangeable for Old Part but Old Part is not interchangeable for New Part.
Q	Old $\begin{matrix} \leftarrow \text{No} \\ \text{Yes} \rightarrow \end{matrix}$ New	New Part is not interchangeable for Old Part but Old Part is interchangeable for New Part.
R	Old $\begin{matrix} \leftarrow \text{Yes} \\ \text{Yes} \rightarrow \end{matrix}$ New	New/ Old Parts are both interchangeable.
S	Old $\begin{matrix} \leftarrow \text{No} \\ \text{No} \rightarrow \end{matrix}$ New	New/ Old Parts are both not interchangeable.
W		Part newly added.
Z		Part discontinued.
F		Not interchangeable by a single part but interchangeable together with related parts.
K		Changes only for used parts quantities.

④ Effective Machine No.

When a part changes, the effective Machine No. will be indicated in the (A)-(F) column.

Product Symbol	Product No.	Product Symbol	Product No.
C	Clutch No. Compressor No.	F	Machine No. (Agricultural Equip.)
D	Drive No.	M	Machine No.
E	Engine No.		

Note 1) A date may follow the symbol. (Ex.) 1996.01

Note 2) "XXXXX" and "ZZZZZ" are for parts that could not be predicted or for engine models that could not be identified.

Note 3) (A=E00185) is the E (Engine Serial Number) for the column (A) model (in this case 4JH-DT) after the parts design change.

⑤ Remarks Mark

Figures or alphabets (symbols) are entered in the remarks column.

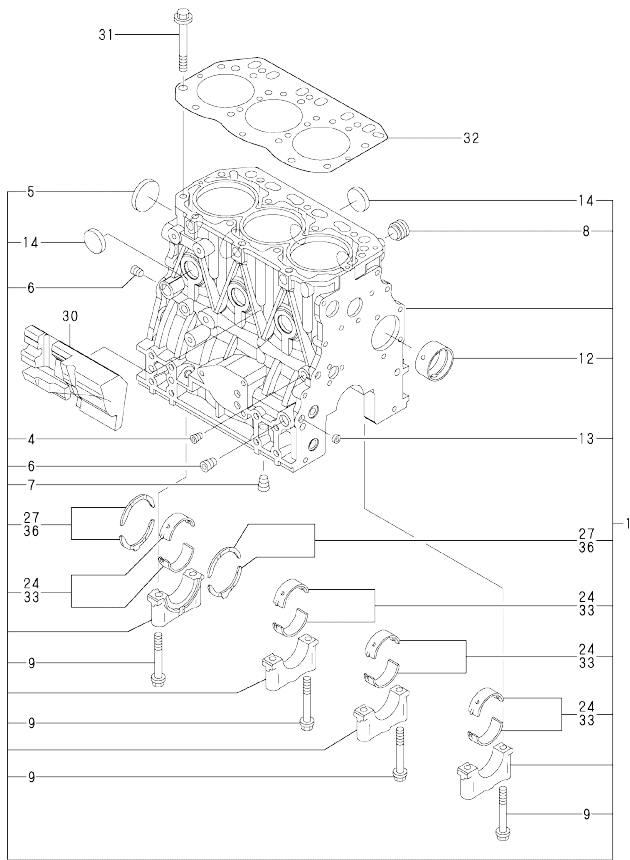
The comments (remarks) on parts that are indicated at the bottom of the illustration are the same symbols as those stated above.

Contents

Fig. No.	Fig. Name	Fig. No.	Fig. Name
ENGINE SECTION (3TNV84T-KMP)			
1.	CYLINDER BLOCK		
2.	GEAR HOUSING		
3.	FLYWHEEL HOUSING & OIL SUMP		
4.	CYLINDER HEAD & BONNET		
5.	SUCTION MANIFOLD		
6.	EXHAUST MANIFOLD & SILENCER		
7.	CAMSHAFT & DRIVING GEAR		
8.	TURBOCHARGER		
9.	CRANKSHAFT & PISTON		
10.	LUB.OIL SYSTEM		
11.	LUB.OIL PIPE		
12.	COOLING WATER SYSTEM		
13.	FUEL INJECTION PUMP		
14.	FUEL INJECTION VALVE		
15.	FUEL PIPE		
16.	STARTING MOTOR		
17.	GENERATOR		
18.	GASKET SET & TOOLS		

OCV10-M98100

Fig.1. CYLINDER BLOCK



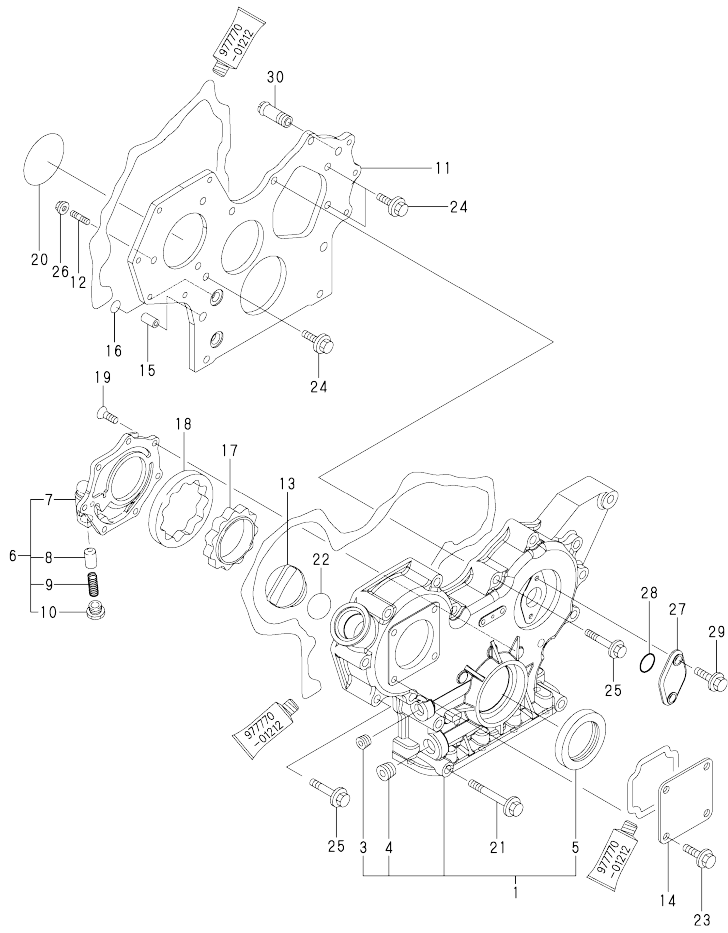
No.	Lev.	Parts No.	Description	Q'ty						I	R
				(A)	(B)	(C)	(D)	(E)	(F)		
1	1	729006-01560	BLOCK ASSY, CYLINDER	1							
4	3	124060-01050	PLUG, PT1/8	1							
5	3	129001-01250	PLUG, 50	1							
6	3	124160-01910	PLUG, PT1/4	2							
7	3	124160-01910	PLUG, PT1/4	1							
8	3	171051-01921	PLUG, NPTF1	1							
9	3	129150-02020	BOLT, METAL CAP	8							
12	3	129795-02411	BUSH, CAMSHAFT	1							
13	3	27241-120000	PLUG, 12	2							
14	3	27241-300000	PLUG 30	6							
24	2	129001-02930	BEARING, MAIN	4							3
27	2	129150-02930	BEARING, THRUST	2							
30	1	129004-01190	SPACER	1							
31	1	129150-01200	BOLT, HEAD	14							
32	1	129002-01331	GASKET, HEAD	1							
33	1	129150-02870	BEARING, 0.25 US	4							1
36	1	129150-02940	BEARING, THRUST 0.25	1							2

Remarks
 (1) UNDER SIZED (U.S.=0.25) PART.
 (2) OVER SIZED (O.S.=0.25) PART.
 (3) REPAIR PART.

N:Old $\frac{New}{100}$ New, Q:Old $\frac{New}{100}$ New, R:Old $\frac{New}{100}$ New, S:Old $\frac{New}{100}$ New, W:Add, Z:Discontinued, F:Interchangeable by set, K:Qty Change
 Copyright (C) YANMAR CO., LTD. All Rights Reserved.

OCV10-M98100

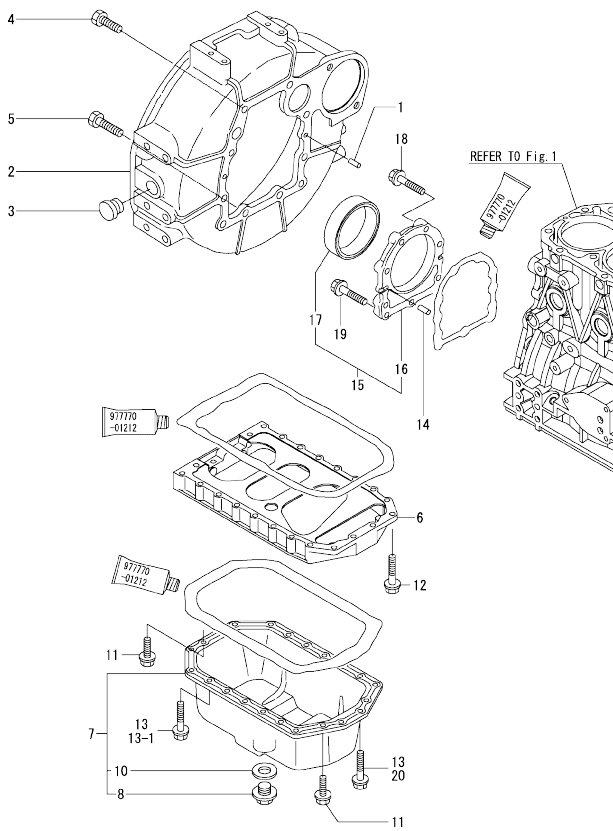
Fig.2. GEAR HOUSING



No.	Lev.	Parts No.	Description	Q'ty						I	R
				(A)	(B)	(C)	(D)	(E)	(F)		
1	1	719802-01500	CASE ASSY, GEAR	1							
3	3	23876-030000	PLUG, R03	1							
4	3	23876-040000	PLUG, R04	1							
5	2	129795-01800	SEAL, OIL	1							
6	1	119802-32100	COVER ASSY	1							
7	2	119802-32070	COVER	1							
8	2	129900-32130	VALVE, RELIEF	1							
9	2	129418-32320	SPRING	1							
10	2	129001-32330	PLUG	1							
11	1	129006-01520	FLANGE, GEAR CASE	1							
12	1	119802-01560	STUD, M8X25	3							
13	1	124160-01751	COVER, FILLER	1							
14	1	124240-01871	COVER	1							
15	1	129795-01950	PIPE, KNOCK L=18	2							
16	1	119609-32040	O-RING, P16	4							
17	1	119802-32111	ROTOR, INNER	1							
18	1	119802-32120	ROTOR, OUTER	1							
19	1	119802-32130	SCREW, M6X16	7							
20	1	121850-51960	O-RING	1							
21	1	129001-91841	BOLT, M8X85	3							
22	1	24311-000320	O-RING, 1AP32.0	1							
23	1	26106-080162	BOLT, M8X 16 PLATED	4							
24	1	26106-080162	BOLT, M8X 16 PLATED	3							
25	1	26106-080552	BOLT, M8X 55 PLATED	12							
26	1	26306-080002	NUT, M8	3							
27	1	121023-01550	COVER	1							
28	1	24341-000240	O-RING, 1AS24.0	1							
29	1	26106-060162	BOLT, M6X 16 PLATED	2							
30	1	129122-44480	JOINT	1							

N:Old $\frac{100}{100}$ New, Q:Old $\frac{100}{100}$ New, R:Old $\frac{100}{100}$ New, S:Old $\frac{100}{100}$ New, W:Add, Z:Discontinued, F:Interchangeable by set, K:Qty Change
 Copyright (C) YANMAR CO., LTD. All Rights Reserved.

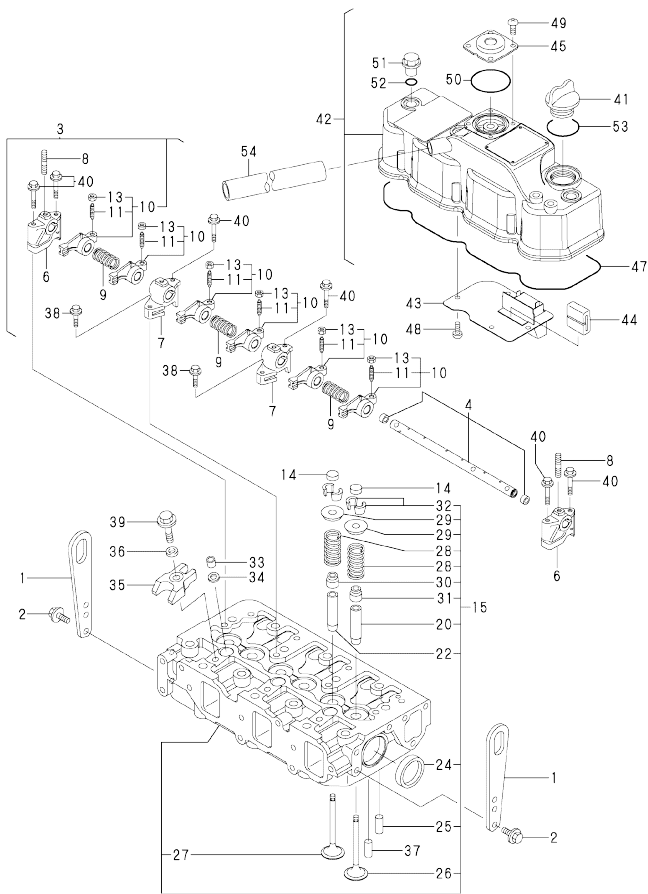
Fig.3. FLYWHEEL HOUSING & OIL SUMP



No.	Lev.	Parts No.	Description	Q'ty						I	R
				(A)	(B)	(C)	(D)	(E)	(F)		
1	1	129100-01580	PIN, M8X16	2							
2	1	129612-01600	HOUSING, FLYWHEEL	1							
3	1	119620-01750	CAP	1							
4	1	26206-100252	BOLT, M10X 25 PLATED	6							
5	1	26206-100302	BOLT, M10X 30 PLATED	4							
6	1	129100-01730	SPACER, OIL SUMP	1							
7	1	729102-01540	SUMP ASSY, OIL	1							
8	2	119640-01640	PLUG, DRAIN M22	1							
10	2	22190-220002	WASHER, SEAL 22	1							
11	1	26106-080162	BOLT, M8X 16 PLATED	4							
12	1	26106-080252	BOLT, M8X 25 PLATED	2							
13	1	26106-080452	BOLT, M8X 45 PLATED	20							
13-1	1	26106-080452	BOLT, M8X 45 PLATED	16							K
(A=FROM 1ST)											
14	1	129100-01580	PIN, M8X16	2							
15	1	129100-01640	CASE ASSY, OIL SEAL	1							
16	2	129150-01650	CASE, OIL SEAL	1							
17	2	129795-01780	SEAL, OIL	1							
18	1	129486-01670	BOLT, M8X30	6							
19	1	26106-080352	BOLT, M8X 35 PLATED	3							
20	1	26106-080502	BOLT, M8X 50 PLATED	4							W
(A=FROM 1ST)											

OCV10-M98100

Fig.4. CYLINDER HEAD & BONNET



(A)=3TNV84T-KMP
(B)=
(C)=

(D)=
(E)=
(F)=

No.	Lev.	Parts No.	Description	Q'ty						I	R
				(A)	(B)	(C)	(D)	(E)	(F)		
1	1	129900-07900	LIFTER	2							
2	1	26106-080142	BOLT, M8X 14 PLATED	4							
3	1	129004-11241	SHAFT ASSY, ROCKER	1							
4	2	129004-11251	SHAFT, ROCKER ARM	1							
6	2	119802-11260	SUPPORT, ROCKER ARM	2							
7	2	119802-11270	SUPPORT, ROCKER ARM	2							
8	2	119802-11280	STUD	3							
9	2	129150-11280	SPRING	3							
10	2	129004-11650	ARM, ROCKER	6							
11	3	129150-11230	SCREW, VALVE ADJUST	6							
13	3	129150-11750	NUT, M8	6							
14	1	129150-11370	CAP, VALVE	6							
15	1	129006-11700	HEAD ASSY, CYLINDER	1							
20	3	120130-11860	GUIDE, VALVE	3							1
22	3	129150-11810	GUIDE, VALVE	3							1
24	3	27241-400000	PLUG, 40	2							
25	3	129150-11050	PIECE	3							
26	2	129004-11100	VALVE, INTAKE	3							
27	2	129100-11130	VALVE, EXHAUST	3							
28	2	129795-11120	SPRING, VALVE	6							
29	2	129795-11180	RETAINER, SPRING	6							
30	2	121400-11340	SEAL, VALVE STEM	3							
31	2	124460-11340	SEAL, VALVE STEM	3							
32	2	27310-080001	COTTER, 8	6							
33	1	119802-11870	PROTECTOR, NOZZLE	3							
34	1	119625-11880	SEAT, NOZZLE	3							
35	1	129004-11900	RETAINER, NOZZLE	3							
36	1	120270-54410	WASHER, INJECTOR	3							
37	1	22351-060012	PIN, SPRING 6.0X12	2							
38	1	26106-080252	BOLT, M8X 25 PLATED	2							
39	1	26106-080352	BOLT, M8X 35 PLATED	3							
40	1	26106-080502	BOLT, M8X 50 PLATED	6							
41	1	124160-01751	COVER, FILLER	1							
42	1	129006-11350	BONNET ASSY, HEAD	1							
43	2	129004-03010	PLATE	1							
44	2	129150-03070	BAFFLE, BREATHER	1							
45	2	129006-03120	COVER, DIAPHRAGM	1							
47	2	129004-11310	GASKET, BONNET	1							
48	2	22857-500100	SCREW, 5X10	4							
49	2	22857-500100	SCREW, 5X10	4							
50	2	24341-000400	O-RING, 1AS40.0	1							
51	1	124160-11360	KNOB	3							
52	1	24311-000120	O-RING, 1AP12.0	3							
53	1	24311-000320	O-RING, 1AP32.0	1							
54	1	129150-03090	HOSE, ID16X2T	1							

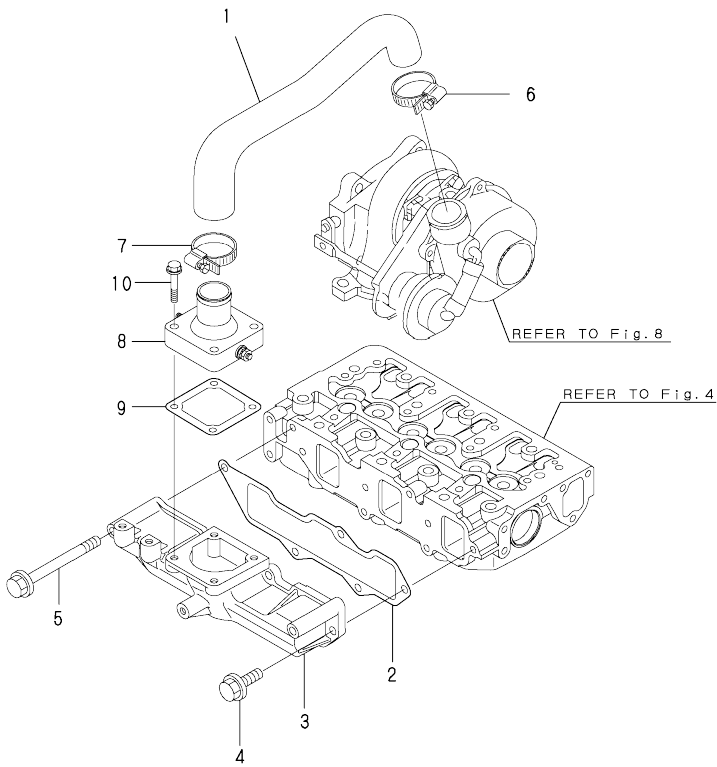
Remarks

(1)REPAIR PART.

N:Old $\frac{100}{100}$ New, Q:Old $\frac{100}{100}$ New, R:Old $\frac{100}{100}$ New, S:Old $\frac{100}{100}$ New, W:Add, Z:Discontinued, F:Interchangeable by set, K:Q'ty Change
Copyright (C) YANMAR CO., LTD. All Rights Reserved.

OCV10-M98100

Fig.5. SUCTION MANIFOLD

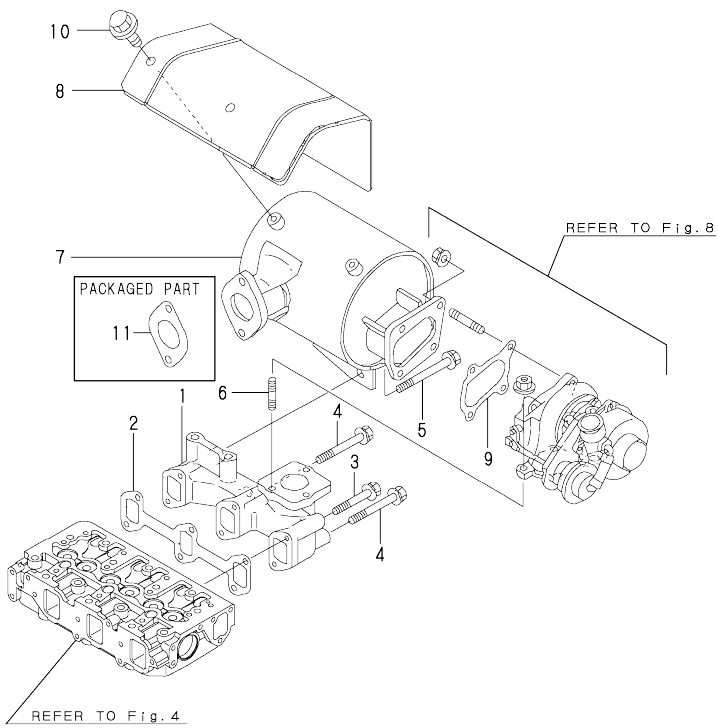


No.	Lev.	Parts No.	Description	Q'ty					
				(A)	(B)	(C)	(D)	(E)	(F)
1	1	129033-12010	PIPE, AIR INTAKE	1					
2	1	129001-12110	GASKET, MANIFOLD	1					
3	1	129006-12110	MANIFOLD, AIR INTAKE	1					
4	1	26106-080202	BOLT, M8X 20 PLATED	4					
5	1	26106-080802	BOLT, M8X 80 PLATED	1					
6	1	23000-041000	CLAMP, 41	1					
7	1	23000-060000	CLAMP, 60	1					
8	1	129033-77500	HEATER	1					
9	1	129150-77511	GASKET	1					
10	1	26106-080352	BOLT, M8X 35 PLATED	4					

N:Old $\frac{100}{100}$ New, Q:Old $\frac{100}{100}$ New, R:Old $\frac{100}{100}$ New, S:Old $\frac{100}{100}$ New, W:Add, Z:Discontinued, F:Interchangeable by set, K:Qty Change
 Copyright (C) YANMAR CO., LTD. All Rights Reserved.

OCV10-M98100

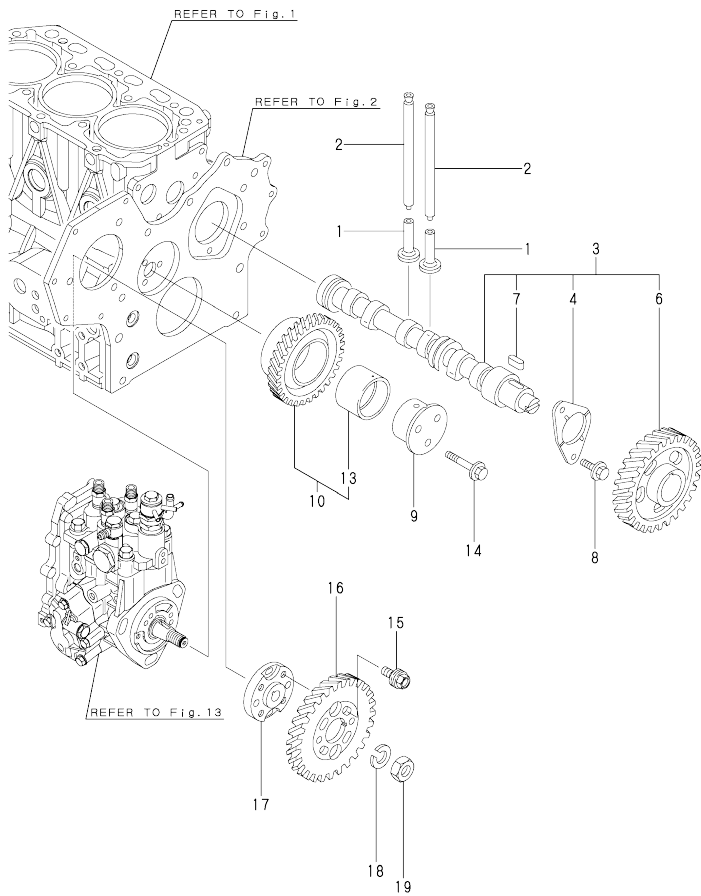
Fig.6. EXHAUST MANIFOLD & SILENCER



No.	Lev.	Parts No.	Description	Q'ty					
				(A)	(B)	(C)	(D)	(E)	(F)
1	1	129103-13100	MANIFOLD, EXHAUST	1					
2	1	129150-13110	GASKET	1					
3	1	119802-13620	BOLT, M8X50	2					
4	1	119802-13640	BOLT, M8X60 10.9T	3					
5	1	119802-13650	BOLT, M8X65	1					
6	1	119131-18320	STUD, M8X22	3					
7	1	129080-13500	SILENCER	1					
8	1	129165-13530	COVER, SILENCER	1					
9	1	129403-18091	GASKET	1					
10	1	26106-080102	BOLT, M8X 10 PLATED	4					
11	1	129107-13550	GASKET	1					

OCV10-M98100

Fig.7. CAMSHAFT & DRIVING GEAR



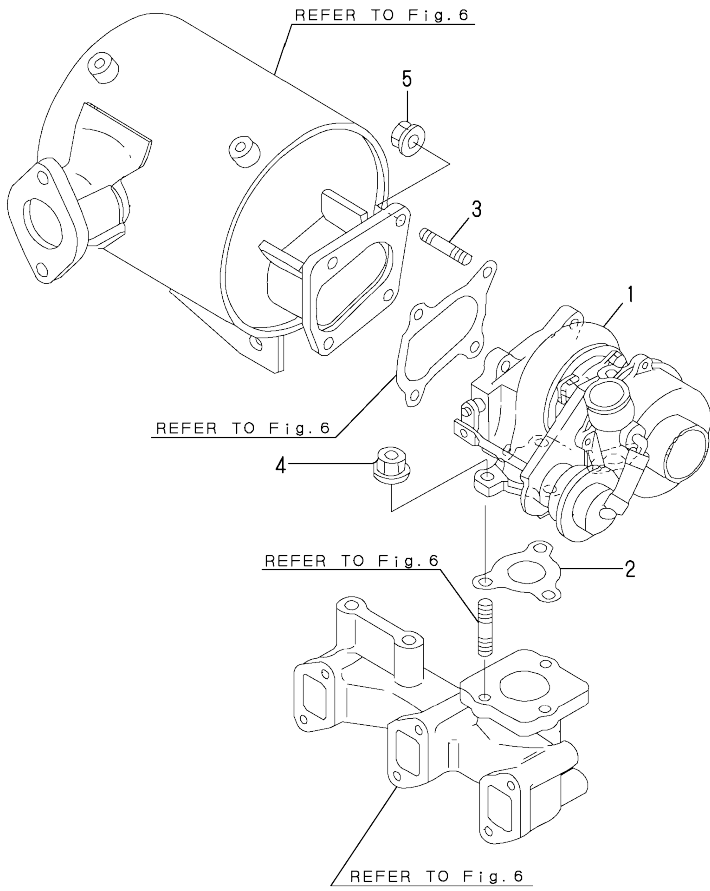
No.	Lev.	Parts No.	Description	Q'ty						I	R
				(A)	(B)	(C)	(D)	(E)	(F)		
1	1	129150-14200	TAPPET	6							
2	1	129150-14400	ROD, PUSH L=178	6							
3	1	129129-14580	CAMSHAFT ASSY	1							
4	2	129150-02450	BEARING, THRUST	1							
6	2	129150-14101	GEAR, CAMSHAFT	1							
7	2	22512-070140	KEY, 7X 14	1							
8	1	26106-080142	BOLT, M8X 14 PLATED	2							
9	1	119802-25051	SHAFT, IDLE	1							
10	1	119802-25100	GEAR ASSY, IDLE	1							
13	2	119802-25070	BUSH, IDLE GEAR	1							1
14	1	26106-080402	BOLT, M8X 40 PLATED	3							
15	1	129150-25301	BOLT	4							
16	1	119802-25901	GEAR, PUMP	1							
17	1	158552-51151	FLANGE	1							
18	1	22217-140000	WASHER, SPRING 14	1							
19	1	26776-140002	NUT, LOCK M14	1							

Remarks
(1)REPAIR PART.

N:Old $\frac{100}{100}$ New, Q:Old $\frac{100}{100}$ New, R:Old $\frac{100}{100}$ New, S:Old $\frac{100}{100}$ New, W:Add, Z:Discontinued, F:Interchangeable by set, K:Q'ty Change
Copyright (C) YANMAR CO., LTD. All Rights Reserved.

OCV10-M98100

Fig.8. TURBOCHARGER

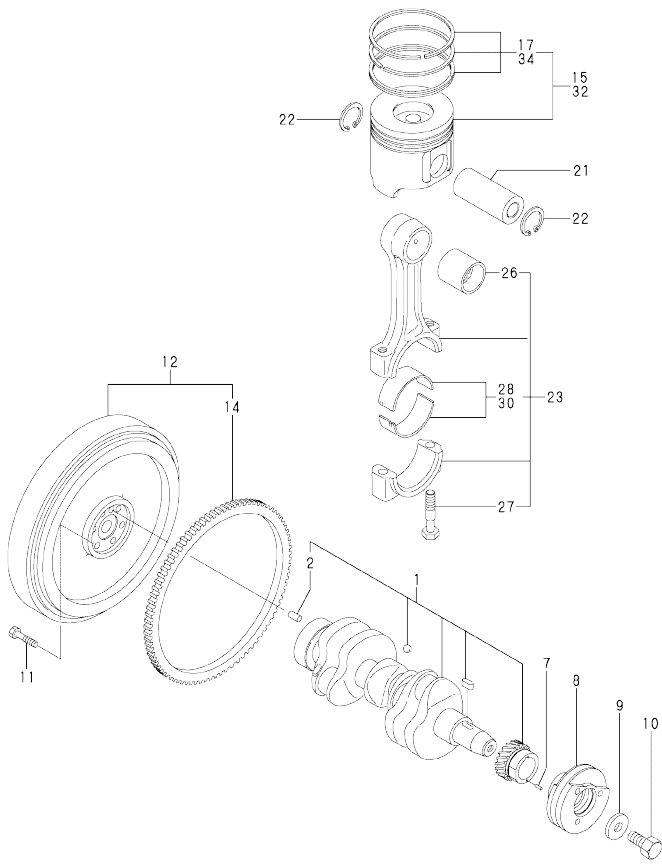


No.	Lev.	Parts No.	Description	Q'ty					
				(A)	(B)	(C)	(D)	(E)	(F)
1	1	129006-18020	TURBINE, RHB31W/G	1					
2	1	129535-18100	GASKET	1					
3	1	129418-18320	STUD, M8X20	4					
4	1	26306-080002	NUT, M8	3					
5	1	26306-080002	NUT, M8	4					

N:Old $\frac{Y05}{10}$ New, Q:Old $\frac{H0}{100}$ New, R:Old $\frac{Y05}{100}$ New, S:Old $\frac{H0}{10}$ New, W:Add, Z:Discontinued, F:Interchangeable by set, K:Q'ty Change
 Copyright (C) YANMAR CO., LTD. All Rights Reserved.

OCV10-M98100

Fig.9. CRANKSHAFT & PISTON



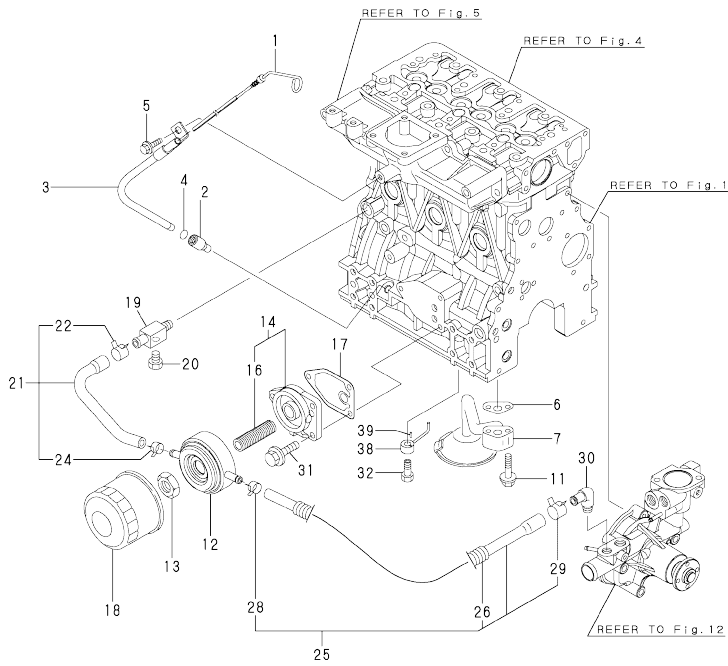
No.	Lev.	Parts No.	Description	Q'ty						I	R
				(A)	(B)	(C)	(D)	(E)	(F)		
1	1	129004-21002	CRANKSHAFT ASSY	1							
2	2	129100-01580	PIN, M8X16	1							
7	1	22351-030010	PIN, SPRING 3.0X10	1							
8	1	129004-21650	V-PULLEY, 110	1							
9	1	129795-21661	WASHER	1							
10	1	121850-21680	BOLT	1							
11	1	121111-21501	BOLT, FLYWHEEL	6							
12	1	171340-21580	FLYWHEEL ASSY	1							
14	2	119865-21600	GEAR, RING	1							
15	1	129004-22080	PISTON ASSY	3							
15-1	1	129007-22080	PISTON ASSY	3							N
(A=E15657)											
17	2	129004-22500	RING SET, PISTON	3							
17-1	2	129007-22500	RING SET, PISTON	3							N
(A=E15657)											
21	1	129202-22300	PIN, PISTON D26 L70	3							
22	1	22252-000260	RING, 26	6							
23	1	729402-23100	ROD ASSY, CONNECTING	3							
26	2	129100-23910	BEARING, PISTON PIN	3							1
27	2	121550-23200	BOLT, CONNECTING ROD	6							
28	2	129150-23600	BEARING, CRANK PIN	3							
30	1	129150-23610	BEARING, 0.25 US	3							2
32	1	129004-22900	PISTON ASSY, 0.25 OS	3							3
32-1	1	129007-22900	PISTON ASSY, 0.25 OS	3							N 3
(A=E15657)											
34	2	129004-22950	RING SET, 0.25 OS	3							3
34-1	2	129007-22950	RING SET, 0.25 OS	3							N 3
(A=E15657)											

Remarks
 (1)REPAIR PART.
 (2)UNDER SIZED(U.S.=0.25)PART.
 (3)OVER SIZED(O.S.=0.25)PART.

N:Old $\frac{100}{100}$ New. Q:Old $\frac{100}{100}$ New. R:Old $\frac{100}{100}$ New. S:Old $\frac{100}{100}$ New. W:Add. Z:Discontinued. F:Interchangeable by set. K:Qty Change
 Copyright (C) YANMAR CO., LTD. All Rights Reserved.

OCV10-M98100

Fig.10. LUB.OIL SYSTEM

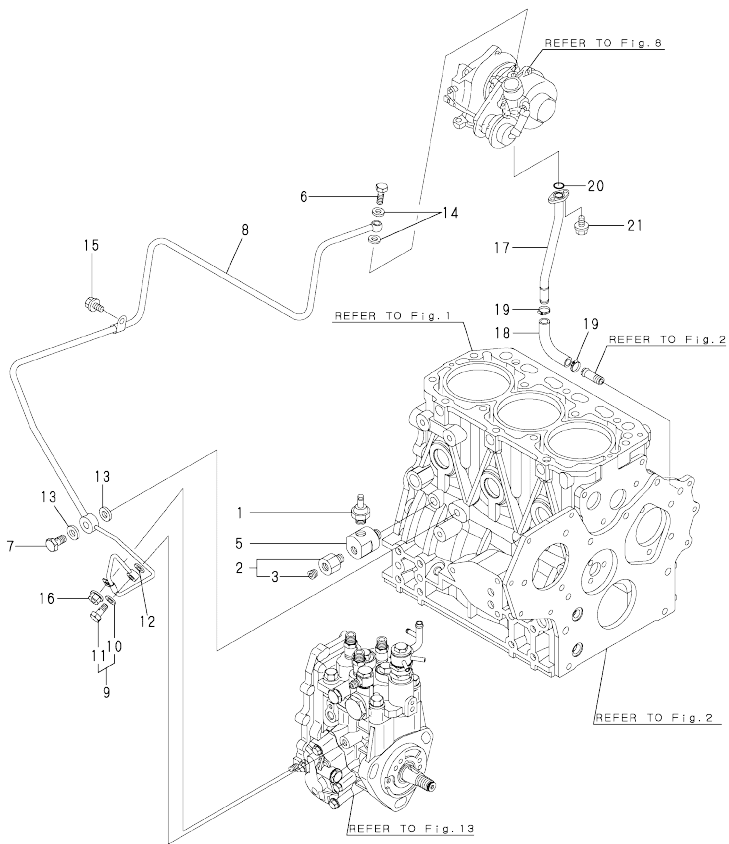


No.	Lev.	Parts No.	Description	Q'ty						I	R
				(A)	(B)	(C)	(D)	(E)	(F)		
1	1	129602-34801	DIPSTICK, OIL	1							
2	1	119260-34810	GUIDE, DIPSTICK	1							
3	1	119802-34850	GUIDE, DIPSTICK	1							
4	1	24311-240100	O-RING, 1AP10A	1							
5	1	26106-080162	BOLT, M8X 16 PLATED	1							
6	1	129150-35041	GASKET	1							
7	1	129150-35091	PIPE ASSY, OIL INLET	1							
11	1	26106-080352	BOLT, M8X 35 PLATED	2							
12	1	129508-33010	COOLER ASSY, OIL	1							
13	1	129417-33110	NUT	1							
14	1	129006-35100	BRACKET ASSY, FILTER	1							
16	2	129417-35150	STUD, L=67	1							
17	1	129150-35111	GASKET	1							
18	1	129150-35153	FILTER 80X80L	1							1
19	1	129006-44480	JOINT	1							
20	1	171056-49120	PLUG, DRAIN	1							
21	1	129508-49030	PIPE ASSY, WATER	1							
22	2	171008-03990	CLIP, HOSE 18.5	1							
24	2	23080-015000	CLAMP, 15	1							
25	1	129006-49040	PIPE ASSY, WATER	1							
26	2	123951-03330	TUBE, CORRUGATED	1							
28	2	23080-015000	CLAMP, 15	1							
29	2	23080-018000	CLAMP, 18	1							
30	1	129103-49301	ELBOW, PT1/4	1							
31	1	26106-080202	BOLT, M8X 20 PLATED	3							
32	1	129792-39410	VALVE ASSY, CHECK	3							
38	1	129553-39650	NOZZLE	3							
39	1	22351-030010	PIN, SPRING 3.0X10	3							

Remarks
(1) REPAIR PART.

N:Old $\frac{New}{Old}$ New, Q:Old $\frac{New}{Old}$ New, R:Old $\frac{New}{Old}$ New, S:Old $\frac{New}{Old}$ New, W:Add, Z:Discontinued, F:Interchangeable by set, K:Q'ty Change
Copyright (C) YANMAR CO., LTD. All Rights Reserved.

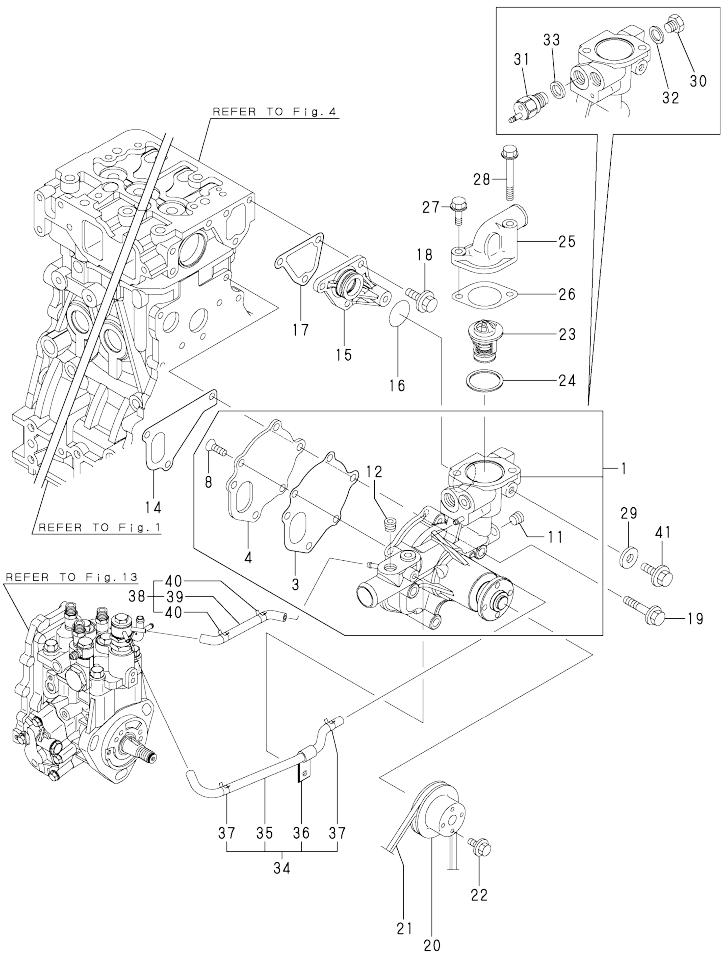
Fig.11. LUB.OIL PIPE



No.	Lev.	Parts No.	Description	Q'ty						I	R
				(A)	(B)	(C)	(D)	(E)	(F)		
1	1	114250-39450	SWITCH, 0.5KG	1							
2	1	119285-39600	ADAPTER	1							
3	2	119285-01730	PLUG, NPT1/8	1							
5	1	129270-39610	DAMPER, PT1/8	1							
6	1	105010-39140	BOLT, PIPE JOINT	1							
7	1	124160-39140	BOLT, PIPE JOINT M10	1							
8	1	129033-39450	PIPE ASSY, OIL	1							
9	1	129005-59830	BOLT ASSY, JOINT M8	1							
10	2	22190-080002	WASHER, SEAL 6	1							
11	2	23857-030000	BOLT, JOINT 3	1							
12	1	22190-080002	WASHER, SEAL 6	1							
13	1	22190-100002	WASHER, SEAL 10	2							
14	1	23414-080000	GASKET, 8X1.0	2							
15	1	26106-080122	BOLT, M8X 12 PLATED	1							
16	1	26366-060002	NUT, M6	1							
17	1	129033-39600	PIPE, OIL	1							
18	1	129266-39620	JOINT, PIPE	1							
19	1	23000-022000	CLAMP, 22	2							
20	1	24314-000160	O-RING, 4CP16.0	1							
21	1	26106-060162	BOLT, M6X 16 PLATED	2							

OCV10-M98100

Fig.12. COOLING WATER SYSTEM

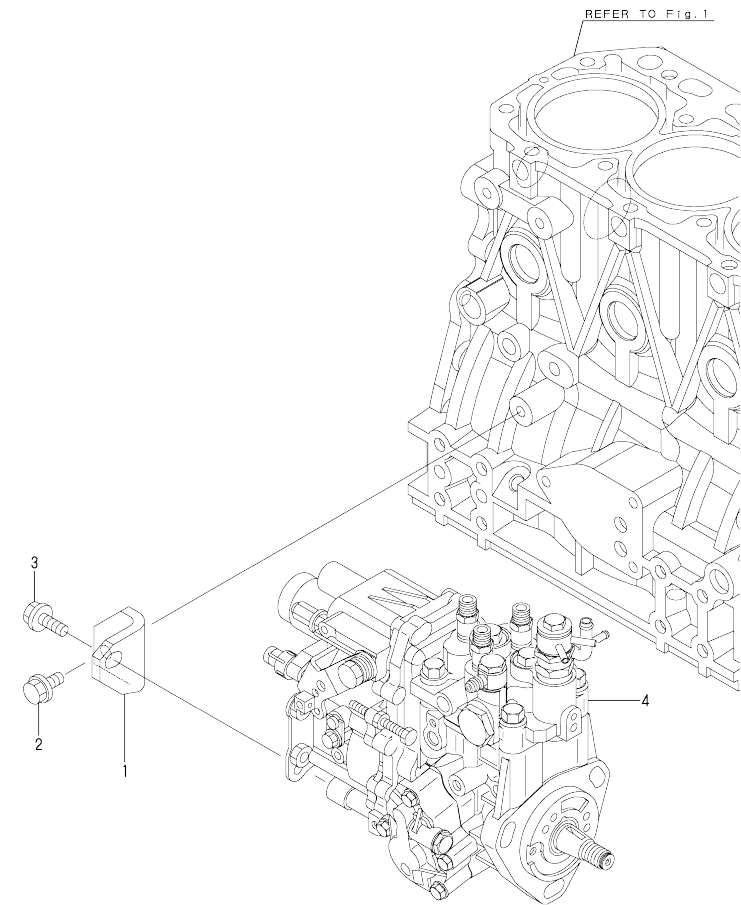


No.	Lev.	Parts No.	Description	Q'ty						I	R
				(A)	(B)	(C)	(D)	(E)	(F)		
1	1	129004-42001	PUMP ASSY, WATER	1							
3	2	129100-42051	GASKET, WATER PUMP	1							
4	2	129100-42121	PLATE	1							
8	2	121850-42410	SCREW	3							
11	2	23876-010000	PLUG, R01	1							
12	2	23876-020000	PLUG, R02	1							
14	1	129486-42021	GASKET, WATER PUMP	1							
15	1	129004-42040	JOINT	1							
16	1	129486-42140	O-RING, G30	1							
17	1	124395-49840	GASKET	1							
18	1	26106-080162	BOLT, M8X 16 PLATED	3							
19	1	26106-080602	BOLT, M8X 60 PLATED	3							
20	1	129403-42380	V-PULLEY, D=110	1							
21	1	25132-003800	V-BELT, A38	1							
22	1	26106-060122	BOLT, M6X 12 PLATED	4							
23	1	129155-49801	THERMOSTAT, 71	1							
24	1	129150-49811	GASKET, THERMOSTAT	1							
25	1	124101-49531	COVER, THERMOSTAT	1							
26	1	129795-49551	GASKET	1							
27	1	26106-080252	BOLT, M8X 25 PLATED	1							
28	1	26106-080652	BOLT, M8X 65 PLATED	1							
29	1	23414-080000	GASKET, 8X1.0	1							
30	1	121450-42450	PLUG, M16	1							
31	1	121250-44901	SWITCH, 110	1							
32	1	124465-44950	GASKET, 16	1							
33	1	124465-44950	GASKET, 16	1							
34	1	129004-49610	PIPE ASSY, WATER	1							
35	2	129004-49711	PIPE ASSY, WATER	1							
36	2	119802-49730	RETAINER, PIPE	1							
37	2	124722-59050	CLIP, HOSE 9	2							
38	1	129004-49620	PIPE ASSY, WATER	1							
39	2	129004-49721	PIPE ASSY, WATER	1							
40	2	124722-59050	CLIP, HOSE 9	2							
41	1	26106-080122	BOLT, M8X 12 PLATED	1							

N:Old $\frac{100}{100}$ New, Q:Old $\frac{100}{100}$ New, R:Old $\frac{100}{100}$ New, S:Old $\frac{100}{100}$ New, W:Add, Z:Discontinued, F:Interchangeable by set, K:Q'ty Change
 Copyright (C) YANMAR CO., LTD. All Rights Reserved.

OCV10-M98100

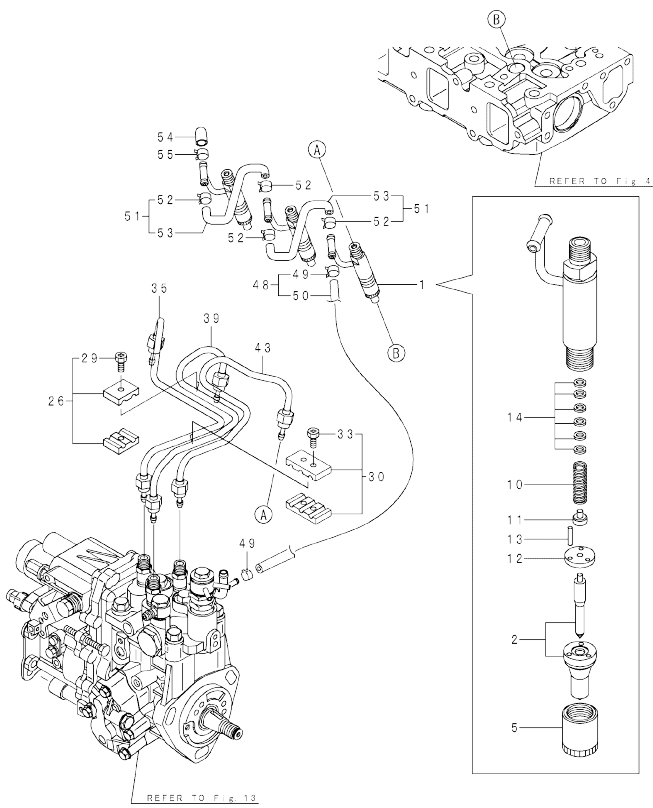
Fig.13. FUEL INJECTION PUMP



No.	Lev.	Parts No.	Description	Q'ty					
				(A)	(B)	(C)	(D)	(E)	(F)
1	1	119802-51250	RETAINER, PUMP	1					
2	1	26106-080162	BOLT, M8X 16 PLATED	1					
3	1	26106-080202	BOLT, M8X 20 PLATED	1					
4	1	729044-51340	PUMP ASSY, INJECTION	1					

N:Old $\frac{100}{100}$ New, Q:Old $\frac{100}{100}$ New, R:Old $\frac{100}{100}$ New, S:Old $\frac{100}{100}$ New, W:Add, Z:Discontinued, F:Interchangeable by set, K:Q'ty Change
 Copyright (C) YANMAR CO., LTD. All Rights Reserved.

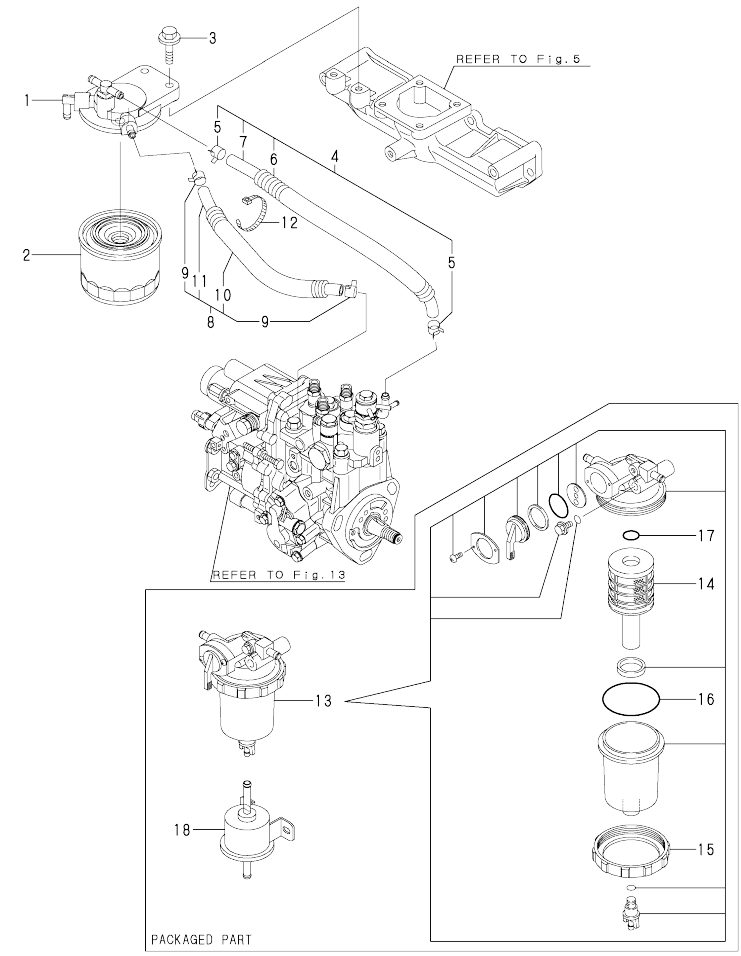
Fig.14. FUEL INJECTION VALVE



No.	Lev.	Parts No.	Description	Q'ty					
				(A)	(B)	(C)	(D)	(E)	(F)
1	1	729005-53101	VALVE ASSY,INJECTION	3					
2	2	129005-53001	VALVE ASSY,INJECTION	3					
5	2	114250-53080	NUT, NOZZLE D16.95	3					
10	2	114250-53120	SPRING, NOZZLE	3					
11	2	114250-53130	SEAT, SPRING	3					
12	2	114250-53140	PLATE	3					
13	2	114250-53210	PIN	6					
14	2	114250-53400	SHIM SET	3					
26	1	119305-59120	RETAINER, PIPE	1					
29	2	129150-59131	BOLT, M4X14	1					
30	1	129150-59120	RETAINER, PIPE	1					
33	2	129150-59131	BOLT, M4X14	2					
35	1	129004-59810	PIPE ASSY, INJECTION	1					
39	1	129004-59820	PIPE ASSY, INJECTION	1					
43	1	129004-59830	PIPE ASSY, INJECTION	1					
48	1	119802-59550	PIPE ASSY, RETURN	1					
49	2	124722-59050	CLIP, HOSE 9	2					
50	2	119802-59560	PIPE, FUEL RETURN	1					
51	1	129486-59551	PIPE ASSY, RETURN	2					
52	2	124722-59050	CLIP, HOSE 9	4					
53	2	129486-59510	PIPE, FUEL RETURN	2					
54	1	119593-59580	CAP	1					
55	1	124060-77680	CLIP, HOSE 10	1					

OCV10-M98100

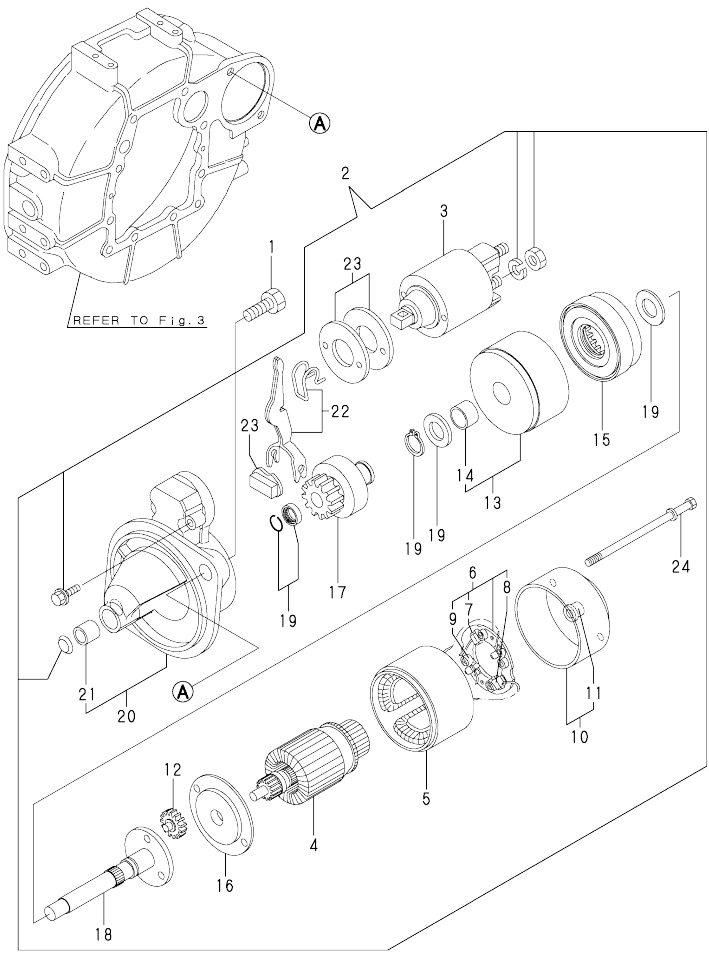
Fig.15. FUEL PIPE



No.	Lev.	Parts No.	Description	Q'ty						I	R
				(A)	(B)	(C)	(D)	(E)	(F)		
1	1	129004-55610	BRACKET, FILTER	1							
2	1	119802-55800	FILTER, FUEL	1							
3	1	26106-080302	BOLT, M8X 30 PLATED	2							
4	1	129950-59311	PIPE, FUEL	1							
5	2	124766-59050	CLIP, HOSE 12	2							
6	2	129961-59110	TUBE, CORRUGATED	1							
7	2	105025-59580	PIPE, FUEL	1							
8	1	129044-59010	PIPE, D13/7.5X220	1							
9	2	124766-59050	CLIP, HOSE 12	2							
10	2	129044-59100	TUBE, CORRUGATED	1							
11	2	129044-59510	PIPE, FUEL 220	1							
12	1	121750-59890	BAND, 140	1							
13	1	119802-55700	SEPARATOR ASSY	1							
14	2	119802-55710	ELEMENT	1							
15	2	129100-55690	RING, RETAINING	1							
16	2	24321-000650	O-RING, 1AG65.0	1							
17	2	24311-000160	O-RING, 1AP16.0	1							
18	1	119225-52102	PUMP ASSY, FUEL FEED	1							

N:Old $\frac{100}{100}$ New, Q:Old $\frac{100}{100}$ New, R:Old $\frac{100}{100}$ New, S:Old $\frac{100}{100}$ New, W:Add, Z:Discontinued, F:Interchangeable by set, K:Q'ty Change
 Copyright (C) YANMAR CO., LTD. All Rights Reserved.

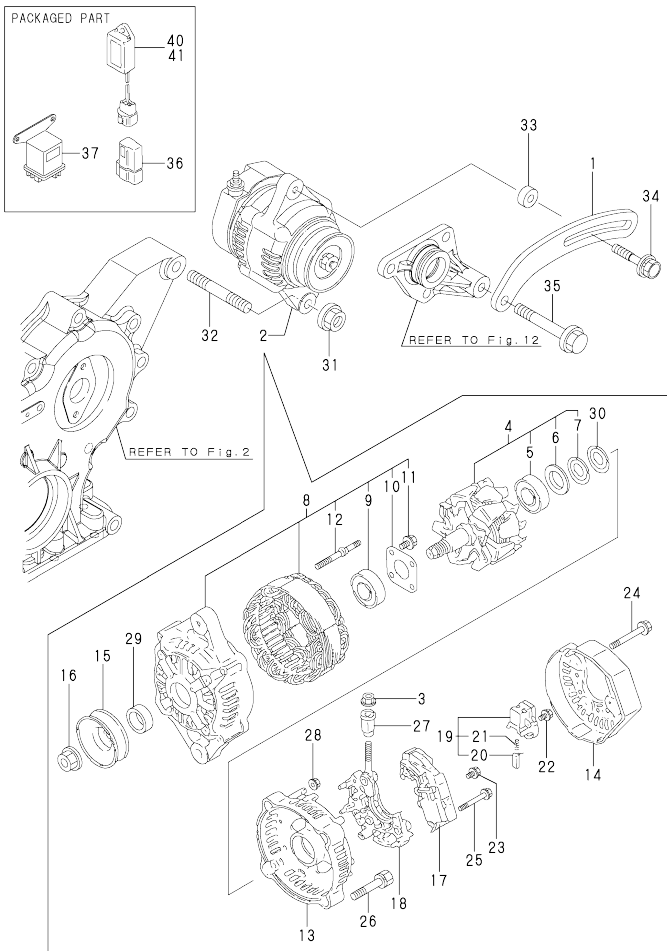
Fig.16. STARTING MOTOR



No.	Lev.	Parts No.	Description	Q'ty						I	R
				(A)	(B)	(C)	(D)	(E)	(F)		
1	1	26116-120252	BOLT, M12X 25 PLATED	2							
2	1	129242-77010	STARTER	1							
3	2	129698-77020	MAGNETIC SWITCH ASSY	1							
4	2	129242-77100	ARMATURE ASSY	1							
5	2	129242-77110	YOKE ASSY	1							
6	2	129242-77120	BRUSH HOLDER ASSY	1							
7	3	129242-77130	BRUSH(-)	2							
8	3	129242-77140	BRUSH(+) SET	1							
9	3	129242-77150	BRUSH SPRING	4							
10	2	129242-77160	REAR COVER ASSY	1							
11	3	129242-77170	REAR COVER METAL	1							
12	2	118400-77170	GEAR	3							
13	2	129242-77180	CENTER BRACKET(P)	1							
14	3	129698-77190	BRACKET	1							
15	2	129698-77200	GEAR, INTERNAL	1							
16	2	129242-77210	CENTER BRACKET(A)	1							
17	2	129698-77220	PINION ASSY	1							
18	2	129698-77230	SHAFT(PINION)	1							
19	2	129698-77250	WASHER SET	1							
20	2	129242-77260	GEAR CASE ASSY	1							
21	3	X2114535200	METAL, STARTER	1							
22	2	129242-77270	SHIFT LEVER SET	1							
23	2	129242-77280	DUST COVER KIT	1							
24	2	124195-77770	THROUGH BOLT	2							

N:Old $\frac{New}{Old}$ New, Q:Old $\frac{New}{Old}$ New, R:Old $\frac{New}{Old}$ New, S:Old $\frac{New}{Old}$ New, W:Add, Z:Discontinued, F:Interchangeable by set, K:Q'ty Change
 Copyright (C) YANMAR CO., LTD. All Rights Reserved.

Fig.17. GENERATOR

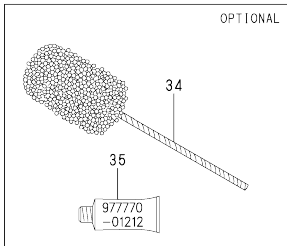
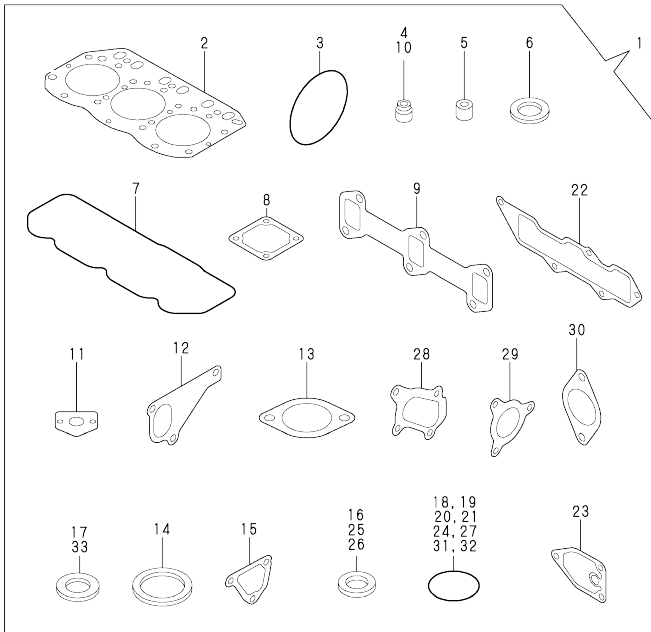


No.	Lev.	Parts No.	Description	Q'ty						I	R
				(A)	(B)	(C)	(D)	(E)	(F)		
1	1	119802-77330	ADJUSTER	1							
2	1	129423-77200	GENERATOR, 12V-40A	1							
3	2	X9490561001	NUT	1							
4	2	119620-77380	ROTOR ASSY	1							
5	3	119620-79240	BALL BEARING	1							
6	3	119620-79250	COVER, BEARING	1							
7	3	119620-79360	WASHER, THRUST	1							
8	2	119620-77421	FRAME ASSY, DRIVE	1							
9	3	119620-79200	BALL BEARING	1							
10	3	119620-79210	PLATE	1							
11	3	119620-79220	SCREW	4							
12	3	119620-79230	BOLT, STUD	2							
13	2	119620-77440	FLAME ASSY, REAR	1							
14	2	129240-79300	COVER	1							
15	2	119620-77461	PULLEY	1							
16	2	119620-77471	NUT	1							
17	2	129423-77710	REGULATOR ASSY	1							
18	2	119620-79260	HOLDER	1							
19	2	119620-79270	HOLDER, BRUSH	1							
20	3	119620-77480	BRUSH ASSY	2							
21	3	119620-79280	SPRING	2							
22	2	119620-79290	SCREW	1							
23	2	119620-79300	SCREW	1							
24	2	119620-79310	BOLT	3							
25	2	119620-79320	SCREW W/WASHER	2							
26	2	119620-79330	BOLT	2							
27	2	119620-79340	INSULATION BUSH	1							
28	2	119620-79350	NUT	2							
29	2	119620-77490	COLLAR	1							
30	2	119620-79360	WASHER, THRUST	1							
31	1	26306-100002	NUT, M10	1							
32	1	129795-01900	STUD	1							
33	1	119940-77270	SPACER, GENERATOR	1							
34	1	119802-77340	BOLT, ADJUSTER	1							
35	1	26106-080452	BOLT, M8X 45 PLATED	1							
36	1	119643-66900	DIODE	1							
37	1	119650-77910	RELAY ASSY, GLOW	1							
40	1	129211-77920	TIMER	1							
41	1	128300-77920	TIMER	1							

N:Old $\frac{100}{100}$ New, Q:Old $\frac{100}{100}$ New, R:Old $\frac{100}{100}$ New, S:Old $\frac{100}{100}$ New, W:Add, Z:Discontinued, F:Interchangeable by set, K:Q'ty Change
 Copyright (C) YANMAR CO., LTD. All Rights Reserved.

OCV10-M98100

Fig.18. GASKET SET & TOOLS



Remarks
(1)OPTIONAL

No.	Lev.	Parts No.	Description	Q'ty						I	R
				(A)	(B)	(C)	(D)	(E)	(F)		
1	1	729246-92740	GASKET SET	1							1
2	2	129002-01331	GASKET, HEAD	1							
3	2	121850-51960	O-RING	1							
4	2	124460-11340	SEAL, VALVE STEM	3							
5	2	119802-11870	PROTECTOR, NOZZLE	3							
6	2	119625-11880	SEAT, NOZZLE	3							
7	2	129004-11310	GASKET, BONNET	1							
8	2	129150-77511	GASKET	1							
9	2	129150-13110	GASKET	1							
10	2	121400-11340	SEAL, VALVE STEM	3							
11	2	129150-35041	GASKET	1							
12	2	129486-42021	GASKET, WATER PUMP	1							
13	2	129795-49551	GASKET	1							
14	2	129150-49811	GASKET, THERMOSTAT	1							
15	2	124395-49840	GASKET	1							
16	2	22190-080002	WASHER, SEAL 6	2							
17	2	124465-44950	GASKET, 16	2							
18	2	24311-000120	O-RING, 1AP12.0	3							
19	2	24311-000320	O-RING, 1AP32.0	2							
20	2	24341-000240	O-RING, 1AS24.0	1							
21	2	129486-42140	O-RING, G30	1							
22	2	129001-12110	GASKET, MANIFOLD	1							
23	2	129150-35111	GASKET	1							
24	2	119609-32040	O-RING, P16	4							
25	2	22190-100002	WASHER, SEAL 10	2							
26	2	22190-220002	WASHER, SEAL 22	1							
27	2	24341-000400	O-RING, 1AS40.0	1							
28	2	129403-18091	GASKET	1							
29	2	129535-18100	GASKET	1							
30	2	129107-13550	GASKET	1							
31	2	24311-240100	O-RING, 1AP10A	1							
32	2	24314-000160	O-RING, 4CP16.0	1							
33	2	23414-080000	GASKET, 8X1.0	3							
34	1	129400-92420	FLEX HORN	1							1
35	1	977770-01212	GASKET, LIQUID	1							1

N:Old $\frac{100}{100}$ New, Q:Old $\frac{100}{100}$ New, R:Old $\frac{100}{100}$ New, S:Old $\frac{100}{100}$ New, W:Add, Z:Discontinued, F:Interchangeable by set, K:Qty Change
Copyright (C) YANMAR CO., LTD. All Rights Reserved.

Parts No. Index

Parts No.	Fig. No.	Ref. No.	Parts No.	Fig. No.	Ref. No.	Parts No.	Fig. No.	Ref. No.	Parts No.	Fig. No.	Ref. No.
105010-39140	11	6	119802-01560	2	12	124160-01910	1	6	129004-59810	14	35
105025-59580	15	7	119802-11260	4	6			7	129004-59820	14	39
114250-39450	11	1	119802-11270	4	7	124160-11360	4	51	129004-59830	14	43
114250-53080	14	5	119802-11280	4	8	124160-39140	11	7	129005-53001	14	2
114250-53120	14	10	119802-11870	4	33	124195-77770	16	24	129005-59830	11	9
114250-53130	14	11		18	5	124240-01871	2	14	129006-01520	2	11
114250-53140	14	12	119802-13620	6	3	124395-49840	12	17	129006-03120	4	45
114250-53210	14	13	119802-13640	6	4		18	15	129006-11350	4	42
114250-53400	14	14	119802-13650	6	5	124460-11340	4	31	129006-11700	4	15
118400-77170	16	12	119802-25051	7	9		18	4	129006-12110	5	3
119131-18320	6	6	119802-25070	7	13	124465-44950	12	32	129006-18020	8	1
119225-52102	15	18	119802-25100	7	10			33	129006-35100	10	14
119260-34810	10	2	119802-25901	7	16		18	17	129006-44480	10	19
119285-01730	11	3	119802-32070	2	7	124722-59050	12	37	129006-49040	10	25
119285-39600	11	2	119802-32100	2	6			40	129007-22080	9	15 -1
119305-59120	14	26	119802-32111	2	17		14	49	129007-22500	9	17 -1
119593-59580	14	54	119802-32120	2	18			52	129007-22900	9	32 -1
119609-32040	2	16	119802-32130	2	19	124766-59050	15	5	129007-22950	9	34 -1
	18	24	119802-34850	10	3			9	129033-12010	5	1
119620-01750	3	3	119802-49730	12	36	128300-77920	17	41	129033-39450	11	8
119620-77380	17	4	119802-51250	13	1	129001-01250	1	5	129033-39600	11	17
119620-77421	17	8	119802-55700	15	13	129001-02930	1	24	129033-77500	5	8
119620-77440	17	13	119802-55710	15	14	129001-12110	5	2	129044-59010	15	8
119620-77461	17	15	119802-55800	15	2		18	22	129044-59100	15	10
119620-77471	17	16	119802-59550	14	48	129001-32330	2	10	129044-59510	15	11
119620-77480	17	20	119802-59560	14	50	129001-91841	2	21	129080-13500	6	7
119620-77490	17	29	119802-77330	17	1	129002-01331	1	32	129100-01580	3	1
119620-79200	17	9	119802-77340	17	34		18	2			14
119620-79210	17	10	119865-21600	9	14	129004-01190	1	30		9	2
119620-79220	17	11	119940-77270	17	33	129004-03010	4	43	129100-01640	3	15
119620-79230	17	12	120130-11860	4	20	129004-11100	4	26	129100-01730	3	6
119620-79240	17	5	120270-54410	4	36	129004-11241	4	3	129100-11130	4	27
119620-79250	17	6	121023-01550	2	27	129004-11251	4	4	129100-23910	9	26
119620-79260	17	18	121111-21501	9	11	129004-11310	4	47	129100-42051	12	3
119620-79270	17	19	121250-44901	12	31		18	7	129100-42121	12	4
119620-79280	17	21	121400-11340	4	30	129004-11650	4	10	129100-55690	15	15
119620-79290	17	22		18	10	129004-11900	4	35	129103-13100	6	1
119620-79300	17	23	121450-42450	12	30	129004-21002	9	1	129103-49301	10	30
119620-79310	17	24	121550-23200	9	27	129004-21650	9	8	129107-13550	6	11
119620-79320	17	25	121750-59890	15	12	129004-22080	9	15		18	30
119620-79330	17	26	121850-21680	9	10	129004-22500	9	17	129122-44480	2	30
119620-79340	17	27	121850-42410	12	8	129004-22900	9	32	129129-14580	7	3
119620-79350	17	28	121850-51960	2	20	129004-22950	9	34	129150-01200	1	31
119620-79360	17	7		18	3	129004-42001	12	1	129150-01650	3	16
		30	123951-03330	10	26	129004-42040	12	15	129150-02020	1	9
119625-11880	4	34	124060-01050	1	4	129004-49610	12	34	129150-02450	7	4
	18	6	124060-77680	14	55	129004-49620	12	38	129150-02870	1	33
119640-01640	3	8	124101-49531	12	25	129004-49711	12	35	129150-02930	1	27
119643-66900	17	36	124160-01751	2	13	129004-49721	12	39	129150-02940	1	36
119650-77910	17	37		4	41	129004-55610	15	1	129150-03070	4	44

Parts No. Index

Parts No.	Fig. No.	Ref. No.
129150-03090	4	54
129150-11050	4	25
129150-11230	4	11
129150-11280	4	9
129150-11370	4	14
129150-11750	4	13
129150-11810	4	22
129150-13110	6	2
	18	9
129150-14101	7	6
129150-14200	7	1
129150-14400	7	2
129150-23600	9	28
129150-23610	9	30
129150-25301	7	15
129150-35041	10	6
	18	11
129150-35091	10	7
129150-35111	10	17
	18	23
129150-35153	10	18
129150-49811	12	24
	18	14
129150-59120	14	30
129150-59131	14	29
		33
129150-77511	5	9
	18	8
129155-49801	12	23
129165-13530	6	8
129202-22300	9	21
129211-77920	17	40
129240-79300	17	14
129242-77010	16	2
129242-77100	16	4
129242-77110	16	5
129242-77120	16	6
129242-77130	16	7
129242-77140	16	8
129242-77150	16	9
129242-77160	16	10
129242-77170	16	11
129242-77180	16	13
129242-77210	16	16
129242-77260	16	20
129242-77270	16	22
129242-77280	16	23
129266-39620	11	18
129270-39610	11	5
129400-92420	18	34

Parts No.	Fig. No.	Ref. No.
129403-18091	6	9
	18	28
129403-42380	12	20
129417-33110	10	13
129417-35150	10	16
129418-18320	8	3
129418-32320	2	9
129423-77200	17	2
129423-77710	17	17
129486-01670	3	18
129486-42021	12	14
	18	12
129486-42140	12	16
	18	21
129486-59510	14	53
129486-59551	14	51
129508-33010	10	12
129508-49030	10	21
129535-18100	8	2
	18	29
129553-39650	10	38
129602-34801	10	1
129612-01600	3	2
129698-77020	16	3
129698-77190	16	14
129698-77200	16	15
129698-77220	16	17
129698-77230	16	18
129698-77250	16	19
129792-39410	10	32
129795-01780	3	17
129795-01800	2	5
129795-01900	17	32
129795-01950	2	15
129795-02411	1	12
129795-11120	4	28
129795-11180	4	29
129795-21661	9	9
129795-49551	12	26
	18	13
129900-07900	4	1
129900-32130	2	8
129950-59311	15	4
129961-59110	15	6
158552-51151	7	17
171008-03990	10	22
171051-01921	1	8
171056-49120	10	20
171340-21580	9	12
22190-080002	11	10

Parts No.	Fig. No.	Ref. No.
22190-080002	11	12
	18	16
22190-100002	11	13
	18	25
22190-220002	3	10
	18	26
22217-140000	7	18
22252-000260	9	22
22351-030010	9	7
	10	39
22351-060012	4	37
22512-070140	7	7
22857-500100	4	48
		49
23000-022000	11	19
23000-041000	5	6
23000-060000	5	7
23080-015000	10	24
		28
23080-018000	10	29
23414-080000	11	14
	12	29
	18	33
23857-030000	11	11
23876-010000	12	11
23876-020000	12	12
23876-030000	2	3
23876-040000	2	4
24311-000120	4	52
	18	18
24311-000160	15	17
24311-000320	2	22
	4	53
	18	19
24311-240100	10	4
	18	31
24314-000160	11	20
	18	32
24321-000650	15	16
24341-000240	2	28
	18	20
24341-000400	4	50
	18	27
25132-003800	12	21
26106-060122	12	22
26106-060162	2	29
	11	21
26106-080102	6	10
26106-080122	11	15
	12	41

Parts No.	Fig. No.	Ref. No.
26106-080142	4	2
	7	8
26106-080162	2	23
		24
	3	11
	10	5
	12	18
	13	2
26106-080202	5	4
	10	31
	13	3
26106-080252	3	12
	4	38
	12	27
26106-080302	15	3
26106-080352	3	19
	4	39
	5	10
	10	11
26106-080402	7	14
26106-080452	3	13
	17	35
26106-080502	3	20
	4	40
26106-080552	2	25
26106-080602	12	19
26106-080652	12	28
26106-080802	5	5
26116-120252	16	1
26206-100252	3	4
26206-100302	3	5
26306-080002	2	26
	8	4
		5
26306-100002	17	31
26366-060002	11	16
26776-140002	7	19
27241-120000	1	13
27241-300000	1	14
27241-400000	4	24
27310-080001	4	32
719802-01500	2	1
729005-53101	14	1
729006-01560	1	1
729044-51340	13	4
729102-01540	3	7
729246-92740	18	1
729402-23100	9	23
977770-01212	18	35

Parts No. Index

Parts No.	Fig. No.	Ref. No.
X2114535200	16	21
X9490561001	17	3

Parts No.	Fig. No.	Ref. No.
-----------	----------	----------

Parts No.	Fig. No.	Ref. No.
-----------	----------	----------

Parts No.	Fig. No.	Ref. No.
-----------	----------	----------