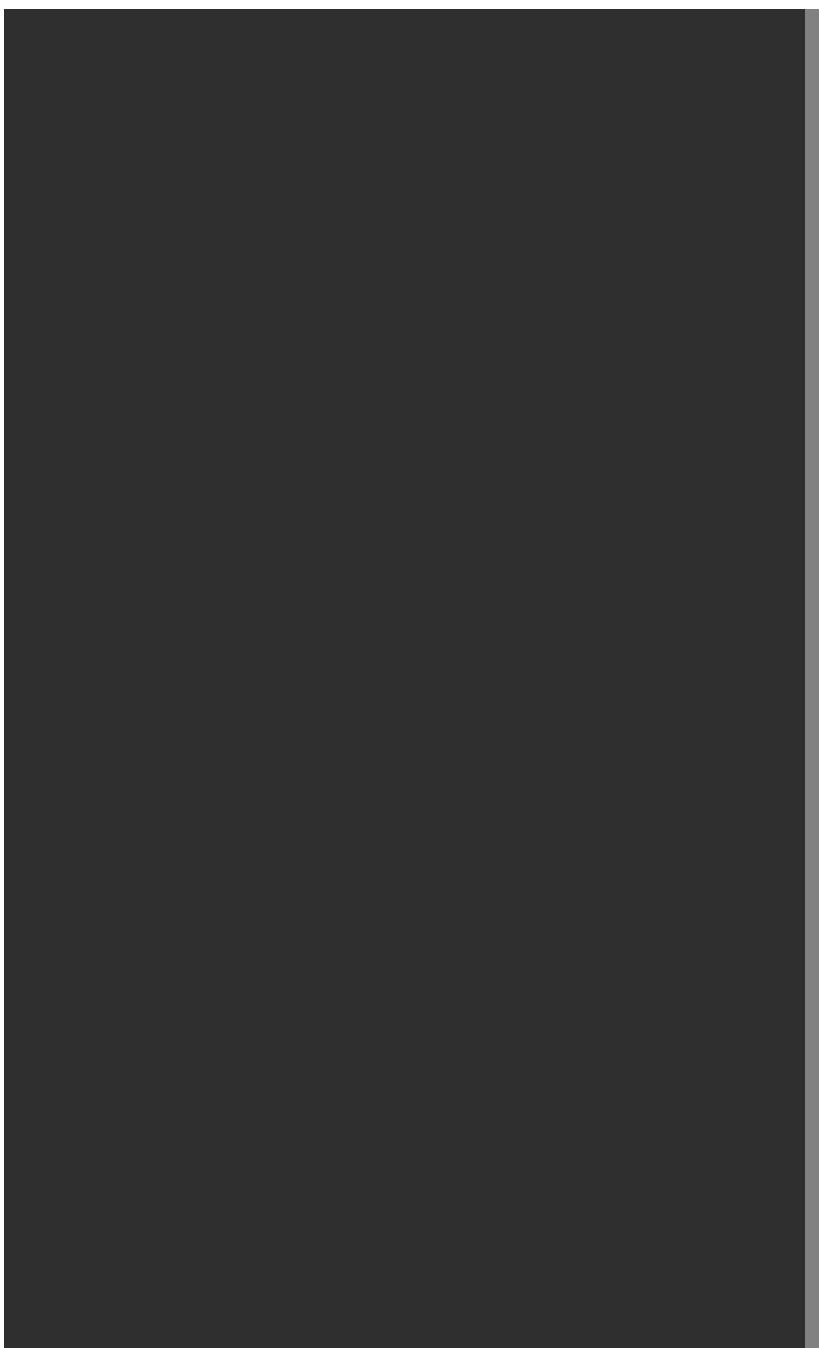


OCR10-M61100EN



# PREFACE

- 1.This Parts Catalog carries all parts incorporated in YANMAR Model 3TNV84T-LU2 engine manufactured since June, 2005.
- 2.Each illustration corresponds to the parts list on the following page.
- 3.When ordering parts,clearly write down the engine model and serial number,as well as the name and number of each part in your order sheet. This will help insure reliable delivery of the parts you have ordered.

## Directions for the Parts Catalog.

1. This Parts Catalog shows both standard and optional parts.
2. Parts may change without prior notice.
3. The following is an example of the Parts Catalog format.

REF.	LEV.	PARTS NO.	DESCRIPTION	Q'TY						I	R
				(A)	(B)	(C)	(D)	(E)	(F)		
1	1	729595-51390	FUEL INJECTION PUMP	1	1	1	1	1			1
1-1	1	729595-51391	FUEL INJECTION PUMP	1	1	1	1	1		N	1
		(A=E00185) (B=E00200)									
3	2	26022-060162	SCREW M 6X 16	9	9	9	9	9			
3-1	2	26022-060162	SCREW M 6X 16	4	4	4	4	4		K	
		(A=E00156) (B=E00156) (C=E00156) (D=E00156) (E=E00156)									
4	2	129470-51040	CAMSHAFT	1	1	1	1	1			
5	2	122710-51050	BEARING, ROLLER	2	2	2	2	2			
6	2	129470-51060	RETAINER	1	1	1	1	1			

Remarks
(1) BOOST COMPEMSATOR TYPE. OPTIONAL PART, TO E00155,(4JH-DT, 4JH-DTZ

### ① Ref. No.

The Ref. No. listed may not be in accordance with the illustration Ref. No.

(Ex.) Illustration No.

List Ref No.

1 1 (Before change) → 1-1 (After change)

For interchangeable symbols N, R and K, illustrations for new parts may be abbreviated.

### ② Lev. (Level)

Level indication

The numbers below indicate the level of relativity towards the main part.

1 ---- Main parts (Assembly parts)

2 ---- Sub component included in " 1 ".

3 ---- Sub component included in " 2 ".

Note) Parts that are not for sale are partially illustrated but not listed.

### ③ Interchangeability Symbol

When a part change takes place, one of the following interchangeability symbols is indicated beside the part.

Symbol	Interchangeability	Contents note
N	Old $\begin{matrix} \leftarrow \text{Yes} \\ \text{No} \rightarrow \end{matrix}$ New	New Part is interchangeable for Old Part but Old Part is not interchangeable for New Part.
Q	Old $\begin{matrix} \leftarrow \text{No} \\ \text{Yes} \rightarrow \end{matrix}$ New	New Part is not interchangeable for Old Part but Old Part is interchangeable for New Part.
R	Old $\begin{matrix} \leftarrow \text{Yes} \\ \text{Yes} \rightarrow \end{matrix}$ New	New/ Old Parts are both interchangeable.
S	Old $\begin{matrix} \leftarrow \text{No} \\ \text{No} \rightarrow \end{matrix}$ New	New/ Old Parts are both not interchangeable.
W		Part newly added.
Z		Part discontinued.
F		Not interchangeable by a single part but interchangeable together with related parts.
K		Changes only for used parts quantities.

### ④ Effective Machine No.

When a part changes, the effective Machine No. will be indicated in the (A)-(F) column.

Product Symbol	Product No.	Product Symbol	Product No.
C	Clutch No. Compressor No.	F	Machine No. (Agricultural Equip.)
D	Drive No.	M	Machine No.
E	Engine No.		

Note 1) A date may follow the symbol. (Ex.) 1996.01

Note 2) "XXXXX" and "ZZZZZ" are for parts that could not be predicted or for engine models that could not be identified.

Note 3) (A=E00185) is the E (Engine Serial Number) for the column (A) model (in this case 4JH-DT) after the parts design change.

### ⑤ Remarks

Figures or alphabets (symbols) are entered in the remarks column.

The comments (remarks) on parts that are indicated at the bottom of the illustration are the same symbols as those stated above.

## Contents

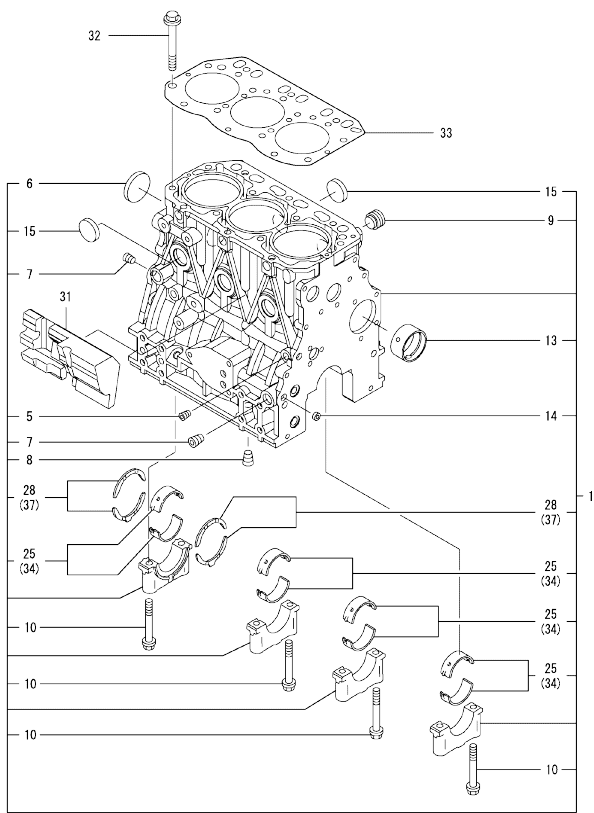
OCR10-M61100

Fig. No.	Fig. Name	Fig. No.	Fig. Name
ENGINE SECTION (3TNV84T-LU2)			
1.	CYLINDER BLOCK		
2.	GEAR HOUSING		
3.	MOUNTING FLANGE & OIL SUMP		
4.	CYLINDER HEAD & BONNET		
5.	SUCTION MANIFOLD		
6.	EXHAUST MANIFOLD		
7.	CAMSHAFT & DRIVING GEAR		
8.	TURBINE		
9.	CRANKSHAFT & PISTON		
10.	HYDRAULIC PUMP		
11.	LUB.OIL SYSTEM		
12.	LUB.OIL LINE		
13.	COOLING WATER SYSTEM		
14.	FUEL INJECTION PUMP		
15.	GOVERNOR		
16.	FUEL INJECTION VALVE		
17.	FUEL LINE		
18.	STARTING MOTOR		
19.	GENERATOR		
20.	GASKET SET		

Fig.1. CYLINDER BLOCK

(A)=3TNV84T-LU2  
(B)=  
(C)=

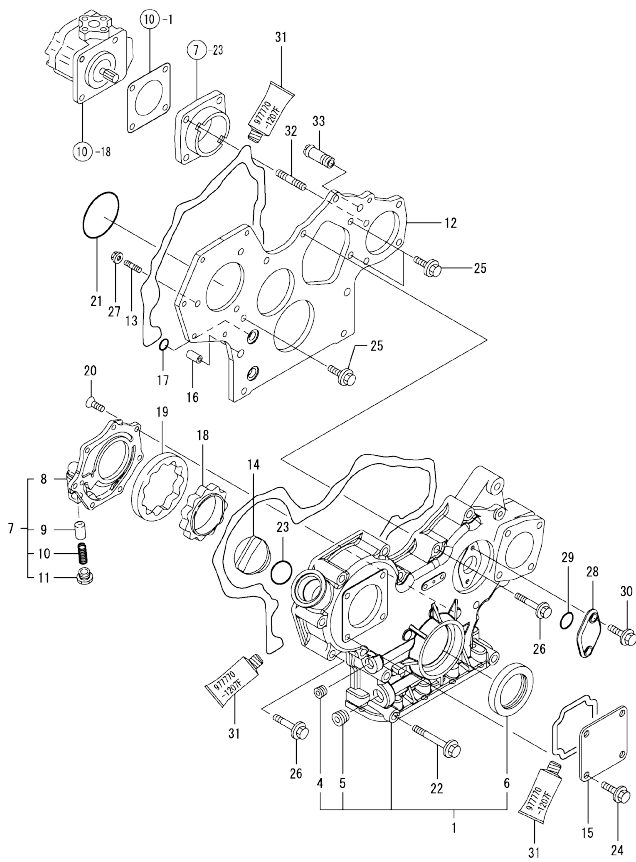
(D)=  
(E)=  
(F)=



No.	Lev.	Parts No.	Description	Q'ty						I	R
				(A)	(B)	(C)	(D)	(E)	(F)		
1	1	729006-01560	BLOCK ASSY, CYLINDER	1							
5	2	124060-01050	PLUG, PT1/8	1							
6	2	129001-01250	PLUG, 50	1							
7	2	124160-01910	PLUG, PT1/4	2							
8	2	124160-01910	PLUG, PT1/4	1							
9	2	171051-01921	PLUG, NPTF1	1							
10	2	129150-02020	BOLT, METAL CAP	8							
13	2	129795-02411	BUSH, CAMSHAFT	1							
14	2	27241-120000	PLUG, 12	2							
15	2	27241-300000	PLUG 30	6							
25	2	129001-02930	BEARING, MAIN	4							3
28	2	129150-02930	BEARING, THRUST	2							
31	1	129004-01190	SPACER	1							
32	1	129150-01200	BOLT, HEAD	14							
33	1	129002-01331	GASKET, HEAD	1							
34	1	129150-02870	BEARING, 0.25 US	4							1
37	1	129150-02940	BEARING, THRUST 0.25	1							2

Remarks  
(1) UNDER-SIZE(U.S=0.25)PART.  
(2) OVER-SIZE(O.S=0.25)PART.  
(3) REPAIR PART.

Fig.2. GEAR HOUSING



(A)=3TNV84T-LU2  
(B)=  
(C)=

(D)=  
(E)=  
(F)=

No.	Lev.	Parts No.	Description	Q'ty						I	R
				(A)	(B)	(C)	(D)	(E)	(F)		
1	1	729004-01500	CASE ASSY, GEAR	1							
4	2	23876-030000	PLUG, R03	1							
5	2	23876-040000	PLUG, R04	1							
6	2	129795-01800	SEAL, OIL	1							
7	1	119802-32100	COVER ASSY	1							
8	2	119802-32070	COVER	1							
9	2	129900-32130	VALVE, RELIEF	1							
10	2	129418-32320	SPRING	1							
11	2	129001-32330	PLUG	1							
12	1	129006-01530	FLANGE, GEAR CASE	1							
13	1	119802-01560	STUD, M8X25	3							
14	1	124160-01751	COVER, FILLER	1							
15	1	124240-01871	COVER	1							
16	1	129795-01950	PIPE, KNOCK L=18	2							
17	1	119609-32040	O-RING, P16	4							
18	1	119802-32111	ROTOR, INNER	1							
19	1	119802-32120	ROTOR, OUTER	1							
20	1	119802-32130	SCREW, M6X16	7							
21	1	121850-51960	O-RING	1							
22	1	129001-91841	BOLT, M8X85	3							
23	1	24311-000320	O-RING, 1AP32.0	1							
24	1	26106-080162	BOLT, M8X 16 PLATED	4							
25	1	26106-080162	BOLT, M8X 16 PLATED	3							
26	1	26106-080552	BOLT, M8X 55 PLATED	11							
27	1	26306-080002	NUT, M8	3							
28	1	121023-01550	COVER	1							
29	1	24341-000240	O-RING, 1AS24.0	1							
30	1	26106-060162	BOLT, M6X 16 PLATED	2							
31	1	977770-1207F	GASKET, LIQUID	1							1
32	1	129150-01580	STUD, M8X30	1							
33	1	129122-44480	JOINT	1							

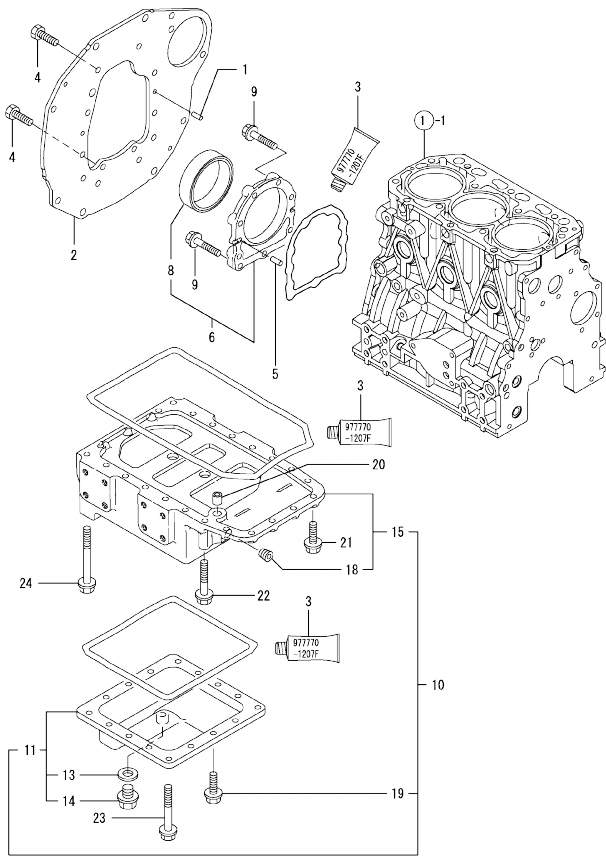
Remarks  
(1) OPTIONAL PART.

N:Old  $\frac{100}{100}$  New, Q:Old  $\frac{100}{100}$  New, R:Old  $\frac{100}{100}$  New, S:Old  $\frac{100}{100}$  New, W:Add, Z:Discontinued, F:Interchangeable by set, K:Qty Change  
Copyright (C) YANMAR CO., LTD. All Rights Reserved.

Fig.3. MOUNTING FLANGE & OIL SUMP

(A)=3TNV84T-LU2  
(B)=  
(C)=

(D)=  
(E)=  
(F)=

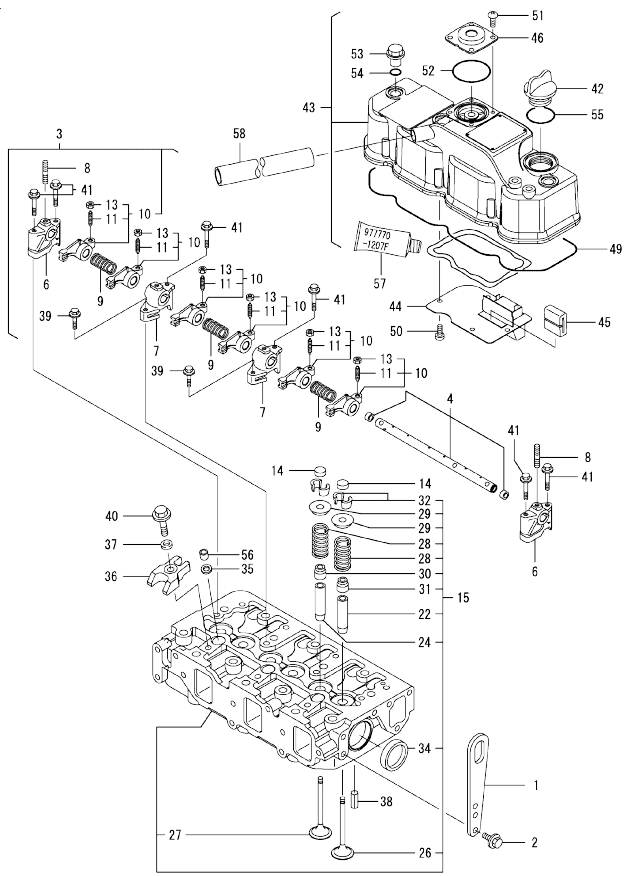


No.	Lev.	Parts No.	Description	Q'ty						I	R
				(A)	(B)	(C)	(D)	(E)	(F)		
1	1	129100-01580	PIN, M8X16	2							
2	1	129150-01600	FLANGE, MOUNTING	1							
3	1	977770-1207F	GASKET, LIQUID	1							1
4	1	26206-100202	BOLT, M10X 20 PLATED	8							
5	1	129100-01580	PIN, M8X16	2							
6	1	129100-01640	CASE ASSY, OIL SEAL	1							
8	2	129795-01780	SEAL, OIL	1							
9	1	129486-01670	BOLT, M8X30	9							
10	1	129052-01770	SUMP ASSY, OIL	1							
11	2	129052-01551	COVER ASSY, OIL SUMP	1							
13	3	22190-120002	WASHER, SEAL 12	1							
14	3	129054-01640	PLUG, DRAIN 12	1							
15	2	129052-01691	SUMP ASSY, OIL	1							
18	3	124160-01910	PLUG, PT 1/4	1							
19	2	26106-080122	BOLT, M8X 12 PLATED	6							
20	1	129555-01750	PIPE, KNOCK 14X18	1							
21	1	26106-080252	BOLT, M8X 25 PLATED	6							
22	1	26106-080502	BOLT, M8X 50 PLATED	2							
23	1	129001-91870	BOLT, M8X100	10							
24	1	129001-91910	BOLT, M8X120	4							

Remarks  
(1) OPTIONAL PART.

N:Old  $\frac{100}{100}$  New, Q:Old  $\frac{100}{100}$  New, R:Old  $\frac{100}{100}$  New, S:Old  $\frac{100}{100}$  New, W:Add, Z:Discontinued, F:Interchangeable by set, K:Qty Change  
Copyright (C) YANMAR CO., LTD. All Rights Reserved.

Fig.4. CYLINDER HEAD & BONNET



(A)=3TNV84T-LU2  
(B)=  
(C)=

(D)=  
(E)=  
(F)=

No.	Lev.	Parts No.	Description	Q'ty						I	R
				(A)	(B)	(C)	(D)	(E)	(F)		
1	1	129900-07900	LIFTER	1							
2	1	26106-080162	BOLT, M8X 16 PLATED	2							
3	1	129004-11241	SHAFT ASSY, ROCKER	1							
4	2	129004-11251	SHAFT, ROCKER ARM	1							
6	2	119802-11260	SUPPORT, ROCKER ARM	2							
7	2	119802-11270	SUPPORT, ROCKER ARM	2							
8	2	119802-11280	STUD	3							
9	2	129150-11280	SPRING	3							
10	2	129004-11650	ARM, ROCKER	6							
11	3	129150-11230	SCREW, VALVE ADJUST	6							
13	3	129150-11750	NUT, M8	6							
14	1	129150-11370	CAP. VALVE	6							
15	1	129006-11700	HEAD ASSY, CYLINDER	1							
22	2	120130-11860	GUIDE, VALVE	3							1
24	2	129150-11810	GUIDE, VALVE	3							1
26	2	129004-11101	VALVE, INTAKE	3							
27	2	129100-11130	VALVE, EXHAUST	3							
28	2	129795-11120	SPRING, VALVE	6							
29	2	129795-11180	RETAINER, SPRING	6							
30	2	121400-11340	SEAL, VALVE STEM	3							
31	2	124460-11340	SEAL, VALVE STEM	3							
32	2	27310-080001	COTTER, 8	6							
34	2	27241-400000	PLUG, 40	2							
35	1	119625-11880	SEAT, NOZZLE	3							
36	1	129004-11900	RETAINER, NOZZLE	3							
37	1	120270-54410	WASHER, INJECTOR	3							
38	1	22351-060012	PIN, SPRING 6.0X12	2							
39	1	26106-080252	BOLT, M8X 25 PLATED	2							
40	1	26106-080352	BOLT, M8X 35 PLATED	3							
41	1	26106-080502	BOLT, M8X 50 PLATED	6							
42	1	124160-01751	COVER, FILLER	1							
43	1	129006-11350	BONNET ASSY, HEAD	1							
44	2	129004-03010	PLATE	1							
45	2	129150-03070	BAFFLE, BREATHER	1							
46	2	129006-03120	COVER, DIAPHRAGM	1							
49	2	129004-11310	GASKET, BONNET	1							
50	2	22857-500100	SCREW, 5X10	4							
51	2	22857-500100	SCREW, 5X10	4							
52	2	24341-000400	O-RING, 1AS40.0	1							
53	1	124160-11360	KNOB	3							
54	1	24311-000120	O-RING, 1AP12.0	3							
55	1	24311-000320	O-RING, 1AP32.0	1							
56	1	119802-11870	PROTECTOR, NOZZLE	3							
57	1	977770-1207F	GASKET, LIQUID	1							2
58	1	129150-03090	HOSE, ID16X2T	1							

Remarks

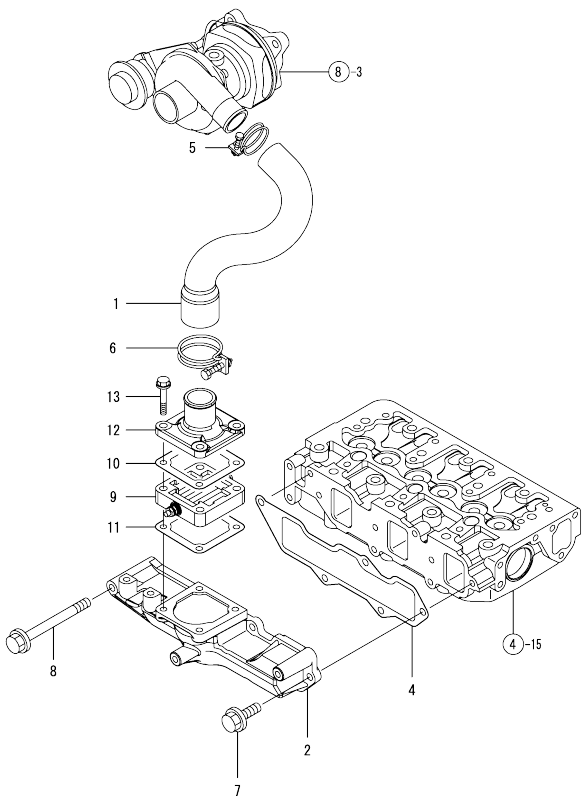
- (1) REPAIR PART.
- (2) OPTIONAL PART.



Fig.5. SUCTION MANIFOLD

(A)=3TNV84T-LU2  
(B)=  
(C)=

(D)=  
(E)=  
(F)=



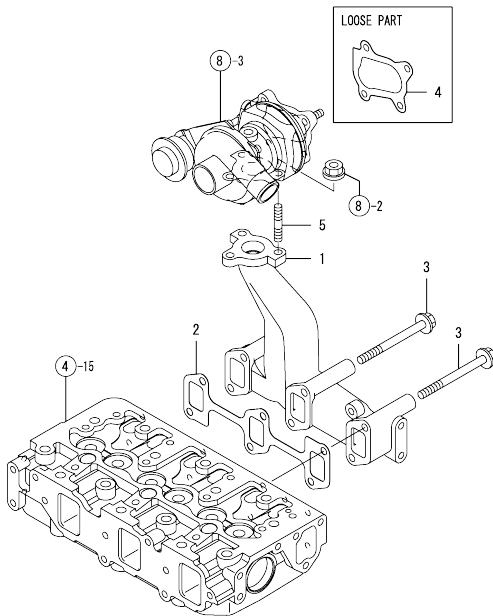
No.	Lev.	Parts No.	Description	Q'ty					
				(A)	(B)	(C)	(D)	(E)	(F)
1	1	129266-12050	PIPE, AIR INTAKE	1					
2	1	129006-12110	MANIFOLD, AIR INTAKE	1					
4	1	129001-12110	GASKET, MANIFOLD	1					
5	1	23000-041000	CLAMP, 41	1					
6	1	23000-060000	CLAMP, 60	1					
7	1	26106-080202	BOLT, M8X 20 PLATED	4					
8	1	26106-080802	BOLT, M8X 80 PLATED	1					
9	1	129100-77500	HEATER, AIR 12V	1					
10	1	129100-77510	GASKET, AIR HEATER	1					
11	1	129150-77511	GASKET	1					
12	1	129165-77520	BEND, AIR HEATER	1					
13	1	26106-080402	BOLT, M8X 40 PLATED	4					

Fig.6. EXHAUST MANIFOLD

(A)=3TNV84T-LU2  
(B)=  
(C)=

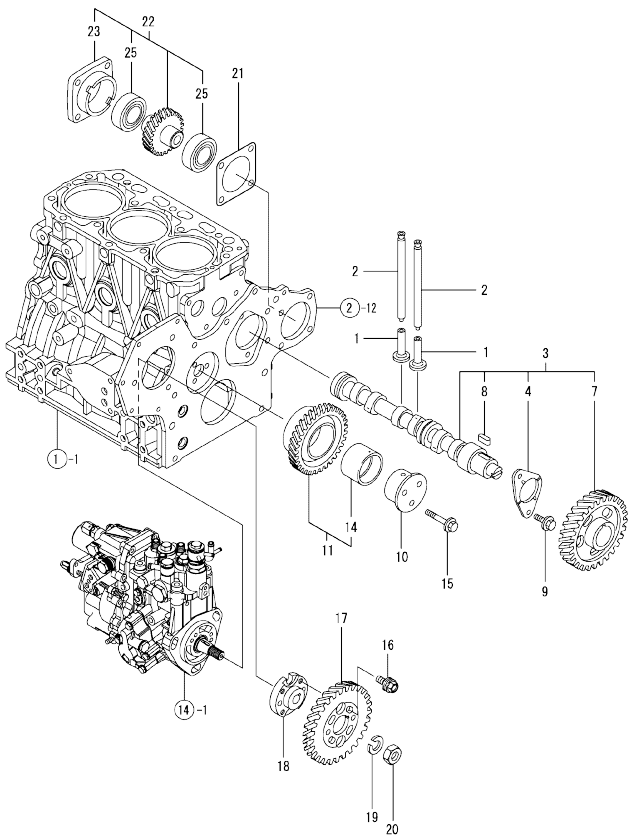
(D)=  
(E)=  
(F)=

No.	Lev.	Parts No.	Description	Q'ty					
				(A)	(B)	(C)	(D)	(E)	(F)
1	1	129266-13100	MANIFOLD, EXHAUST	1					
2	1	129150-13110	GASKET	1					
3	1	123900-13630	BOLT, M8X80	6					
4	1	129403-18091	GASKET	1					
5	1	119131-18320	STUD, M8X22	3					



OCR10-M61100 ENGINE SECTION (3TNV84T-LU2)  
 Fig.7. CAMSHAFT & DRIVING GEAR

OCR10-M61100 Fig.7



(A)=3TNV84T-LU2  
 (B)=  
 (C)=

(D)=  
 (E)=  
 (F)=

No.	Lev.	Parts No.	Description	Q'ty						I	R
				(A)	(B)	(C)	(D)	(E)	(F)		
1	1	129150-14200	TAPPET	6							
2	1	129150-14400	ROD, PUSH L=178	6							
3	1	129129-14580	CAMSHAFT ASSY	1							
4	2	129150-02450	BEARING, THRUST	1							
7	2	129150-14101	GEAR, CAMSHAFT	1							
8	2	22512-070140	KEY, 7X 14	1							
9	1	26106-080142	BOLT, M8X 14 PLATED	2							
10	1	119802-25051	SHAFT, IDLE	1							
11	1	119802-25100	GEAR ASSY, IDLE	1							
14	2	119802-25070	BUSH, IDLE GEAR	1							1
15	1	26106-080402	BOLT, M8X 40 PLATED	3							
16	1	129150-25301	BOLT	4							
17	1	119802-25901	GEAR, PUMP	1							
18	1	158552-51151	FLANGE	1							
19	1	22217-140000	WASHER, SPRING 14	1							
20	1	26776-140002	NUT, LOCK M14	1							
21	1	129150-01881	GASKET	1							
22	1	129150-26000	DRIVE ASSY, PUMP	1							
23	2	129150-26050	BRACKET, PUMP	1							
25	2	24105-060064	BEARING, BALL 6006Z	2							

Remarks  
 (1) REPAIR PART.

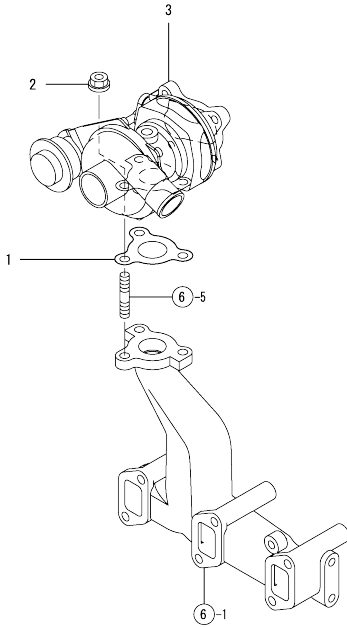
N:Old  $\frac{100}{100}$  New, Q:Old  $\frac{100}{100}$  New, R:Old  $\frac{100}{100}$  New, S:Old  $\frac{100}{100}$  New, W:Add, Z:Discontinued, F:Interchangeable by set, K:Qty Change  
 Copyright (C) YANMAR CO., LTD. All Rights Reserved.

Fig.8. TURBINE

(A)=3TNV84T-LU2  
(B)=  
(C)=

(D)=  
(E)=  
(F)=

No.	Lev.	Parts No.	Description	Q'ty					
				(A)	(B)	(C)	(D)	(E)	(F)
1	1	129535-18100	GASKET	1					
2	1	26306-080002	NUT, M8	3					
3	1	129266-18010	TURBINE, RHB31W/G	1					




---

---

---

---

---

---

---

---

---

---

---

---

---

---

---

---

---

---

---

---

---

---

---

---

---

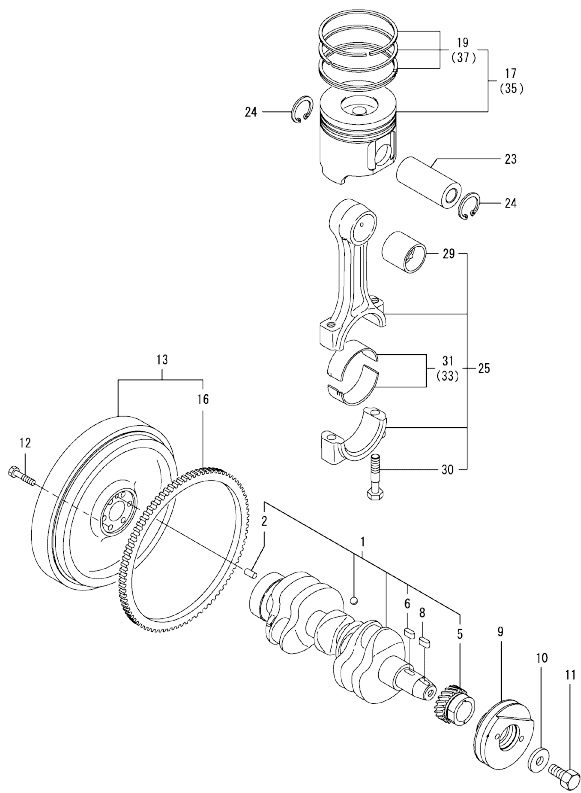
---

N:Old  $\frac{YES}{NO}$  New. Q:Old  $\frac{H}{VCC}$  New. R:Old  $\frac{YES}{YES}$  New. S:Old  $\frac{H}{NO}$  New. W:Add. Z:Discontinued. F:Interchangeable by set. K:Q'ty Change  
Copyright (C) YANMAR CO., LTD. All Rights Reserved.

Fig.9. CRANKSHAFT & PISTON

(A)=3TNV84T-LU2  
(B)=  
(C)=

(D)=  
(E)=  
(F)=

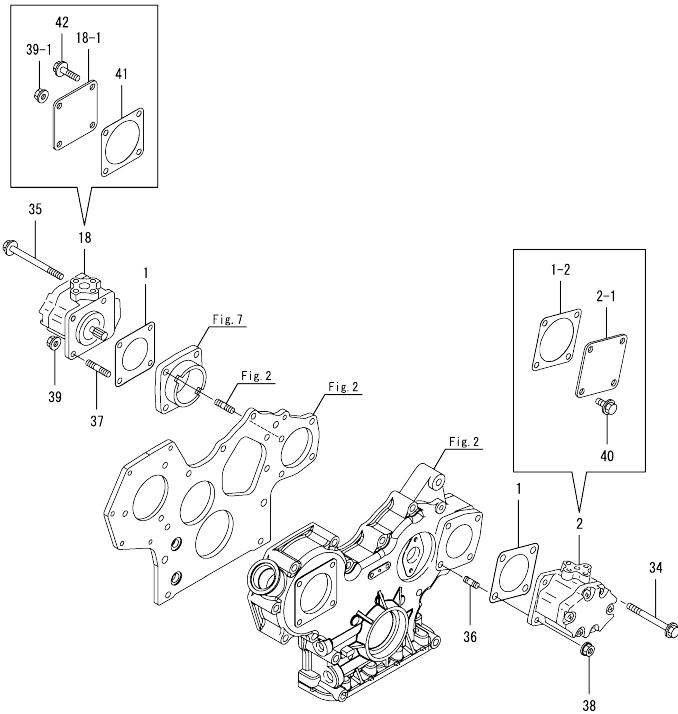


No.	Lev.	Parts No.	Description	Q'ty						I	R
				(A)	(B)	(C)	(D)	(E)	(F)		
1	1	129004-21002	CRANKSHAFT ASSY	1							
2	2	129100-01580	PIN, M8X16	1							
5	2	119802-21202	GEAR, CRANKSHAFT	1							
6	2	22512-070140	KEY, 7X 14	1							
8	1	22512-070140	KEY, 7X 14	1							
9	1	129055-21650	V-PULLEY, 120	1							
10	1	129795-21661	WASHER	1							
11	1	121850-21680	BOLT	1							
12	1	121111-21501	BOLT, FLYWHEEL	6							
13	1	129054-21591	FLYWHEEL ASSY	1							
16	2	124550-21600	GEAR, RING	1							
17	1	129007-22080	PISTON ASSY	3							
19	2	129007-22500	RING SET, PISTON	3							
23	1	129202-22300	PIN, PISTON D26 L70	3							
24	1	22252-000260	RING, 26	6							
25	1	729402-23100	ROD ASSY, CONNECTING	3							
29	2	129100-23910	BEARING, PISTON PIN	3							1
30	2	121550-23200	BOLT, CONNECTING ROD	6							
31	2	129150-23600	BEARING, CRANK PIN	3							
33	1	129150-23610	BEARING, 0.25 US	3							2
35	1	129007-22900	PISTON ASSY, 0.25 OS	3							3
37	2	129007-22510	RING SET, 0.25 OS	3							3

Remarks

- (1) REPAIR PART.
- (2) UNDER-SIZE(U.S=0.25)PART.
- (3) OVER-SIZE(O.S=0.25)PART.

Fig.10. HYDRAULIC PUMP

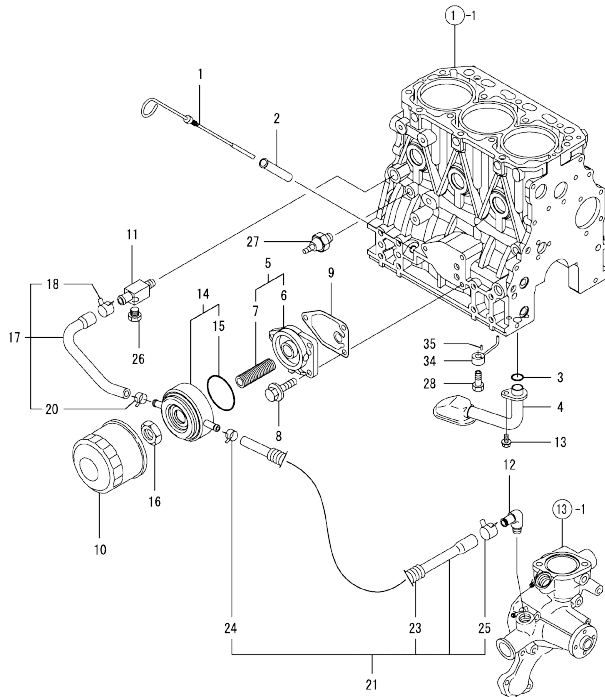


(A)=3TNV84T-LU2  
(B)=  
(C)=

(D)=  
(E)=  
(F)=

No.	Lev.	Parts No.	Description	Qty						I	R
				(A)	(B)	(C)	(D)	(E)	(F)		
1	1	124240-01883	GASKET, PUMP	2							
1-1	1	129C26-01890 (A=2012.05)	GASKET, PUMP	2							R
1-2	1	129C26-01890 (A=2018.01)	GASKET, PUMP	1							K
2	1	198072-41110	PUMP, HYDRAULIC	1							
2-1	1	124240-01871 (A=2018.01)	COVER, HYDRAULIC PUMP	1							S
18	1	198072-41120	PUMP, HYDRAULIC	1							
18-1	1	124240-01871 (A=2018.01)	COVER, HYDRAULIC PUMP	1							S
34	1	26106-080802 (A=2018.01)	BOLT, M8X 80 PLATED	2							Z
35	1	26106-080952 (A=2018.01)	BOLT, M8X 95 PLATED	2							Z
36	1	26216-080222 (A=2018.01)	STUD, M8X 22	2							Z
37	1	26216-080402 (A=2018.01)	STUD, M8X 40	2							Z
38	1	26306-080002 (A=2018.01)	NUT, M8	2							Z
39	1	26306-080002	NUT, M8	2							
39-1	1	26306-080002 (A=2018.01)	NUT, M8	1							K
40	1	26106-080162 (A=2018.01)	BOLT, M8X 16 PLATED	4							W
41	1	129C26-01890 (A=2018.01)	GASKET, PUMP	1							W
42	1	26106-080302 (A=2018.01)	BOLT, M8X 30 PLATED	3							W

Fig.11. LUB.OIL SYSTEM



(A)=3TNV84T-LU2  
(B)=  
(C)=

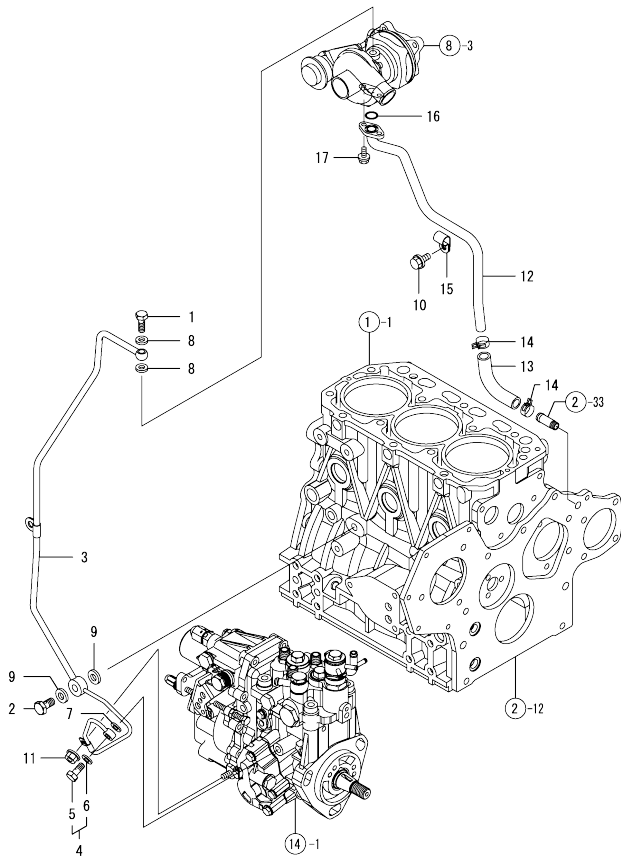
(D)=  
(E)=  
(F)=

No.	Lev.	Parts No.	Description	Q'ty						I	R
				(A)	(B)	(C)	(D)	(E)	(F)		
1	1	129263-34811	DIPSTICK, OIL	1							
2	1	121520-34810	GUIDE, DIPSTICK	1							
3	1	24311-000160	O-RING, 1AP16.0	1							
4	1	129052-35090	PIPE ASSY, OIL INLET	1							
5	1	129006-35100	BRACKET ASSY, FILTER	1							
6	2	119802-35110	BRACKET, FILTER	1							
7	2	129417-35150	STUD, L=67	1							
8	1	26106-080202	BOLT, M8X 20 PLATED	3							
9	1	129150-35111	GASKET	1							
10	1	129150-35170	FILTER,LO	1							1
11	1	129006-44480	JOINT	1							
12	1	129466-49300	ELBOW, PT3/8	1							
13	1	26106-060122	BOLT, M6X 12 PLATED	1							
14	1	129508-33010	COOLER ASSY, OIL	1							
15	2	129508-33050	O-RING	1							
16	1	129417-33110	NUT	1							
17	1	129508-49030	PIPE ASSY, WATER	1							
18	2	171008-03990	CLIP, HOSE 18.5	1							
20	2	23080-015000	CLAMP, 15	1							
21	1	129508-49040	PIPE ASSY, WATER	1							
23	2	119940-59130	TUBE, CORRUGATED	1							
24	2	23080-015000	CLAMP, 15	1							
25	2	23080-018000	CLAMP, 18	1							
26	1	171056-49120	PLUG, DRAIN	1							
27	1	114250-39450	SWITCH, 0.5KG	1							
28	1	129792-39410	VALVE ASSY, CHECK	3							
34	1	129553-39650	NOZZLE	3							
35	1	22351-030010	PIN, SPRING 3.0X10	3							

Remarks  
(1) REPAIR PART.

N:Old  $\frac{100}{100}$  New, Q:Old  $\frac{100}{100}$  New, R:Old  $\frac{100}{100}$  New, S:Old  $\frac{100}{100}$  New, W:Add, Z:Discontinued, F:Interchangeable by set, K:Q'ty Change  
Copyright (C) YANMAR CO., LTD. All Rights Reserved.

Fig.12. LUB.OIL LINE



(A)=3TNV84T-LU2  
(B)=  
(C)=

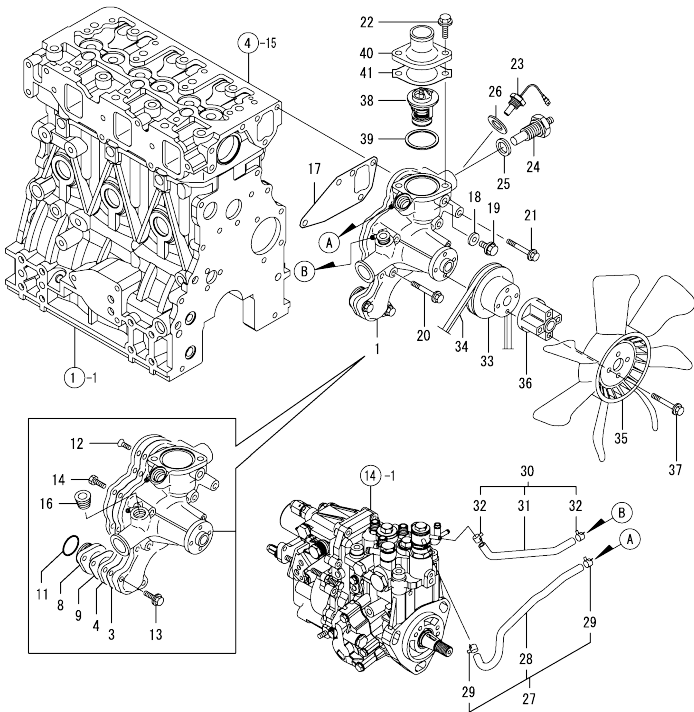
(D)=  
(E)=  
(F)=

No.	Lev.	Parts No.	Description	Q'ty						
				(A)	(B)	(C)	(D)	(E)	(F)	
1	1	105010-39140	BOLT, PIPE JOINT	1						
2	1	124160-39140	BOLT, PIPE JOINT M10	1						
3	1	129266-39450	PIPE ASSY, OIL	1						
4	1	129005-59830	BOLT ASSY, JOINT M8	1						
5	2	23857-030000	BOLT, JOINT 3	1						
6	2	22190-080002	WASHER, SEAL 6	1						
7	1	22190-080002	WASHER, SEAL 6	1						
8	1	23414-080000	GASKET, 8X1.0	2						
9	1	22190-100002	WASHER, SEAL 10	2						
10	1	26106-080122	BOLT, M8X 12 PLATED	1						
11	1	26366-060002	NUT, M6	1						
12	1	129266-39610	PIPE, OIL	1						
13	1	129266-39620	JOINT, PIPE	1						
14	1	23000-022000	CLAMP, 22	2						
15	1	23297-140081	CLAMP, A14X 8	1						
16	1	24314-000160	O-RING, 4CP16.0	1						
17	1	26106-060162	BOLT, M6X 16 PLATED	2						



OCR10-M61100 ENGINE SECTION (3TNV84T-LU2)  
 Fig.13. COOLING WATER SYSTEM

OCR10-M61100 Fig.13



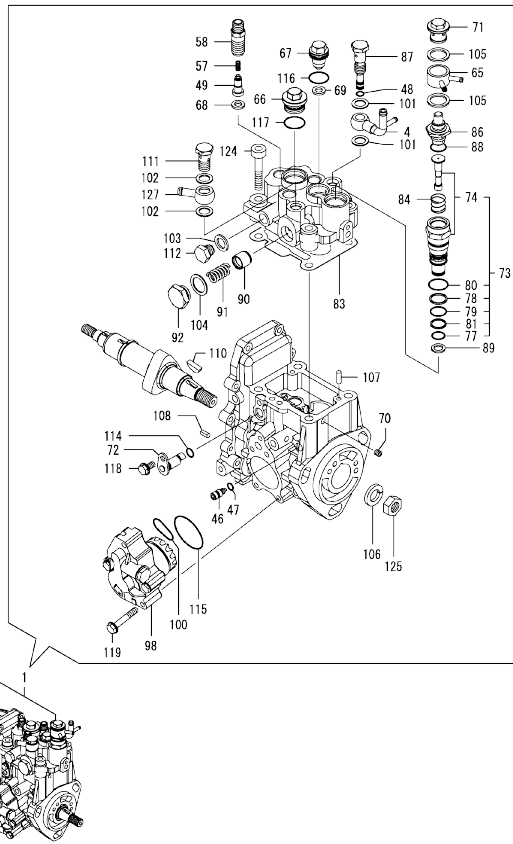
(A)=3TNV84T-LU2  
 (B)=  
 (C)=

(D)=  
 (E)=  
 (F)=

No.	Lev.	Parts No.	Description	Qty						I	R
				(A)	(B)	(C)	(D)	(E)	(F)		
1	1	129263-42000	PUMP ASSY, WATER	1							
3	2	129150-42059	GASKET	1							
4	2	129263-42120	PLATE	1							
8	2	129150-42300	FLANGE	1							
9	2	129150-42319	GASKET	1							
11	2	129054-42320	O-RING	1							
12	2	26577-060152	SCREW, M6X15	3							
13	2	26106-060202	BOLT, M6X 20 PLATED	2							
14	2	26116-060162	BOLT, M6X 16 PLATED	3							
16	2	129916-49740	PLUG, R03	2							
17	1	129486-42050	GASKET, WATER PUMP	1							
18	1	23414-080000	GASKET, 8X1.0	1							
19	1	26106-080122	BOLT, M8X 12 PLATED	1							
20	1	26106-080552	BOLT, M8X 55 PLATED	3							
21	1	26106-080602	BOLT, M8X 60 PLATED	1							
22	1	26106-080222	BOLT, M8X 22 PLATED	2							
23	1	129107-44901	SENSOR	1							
24	1	124250-49351	SENSOR	1							
25	1	129150-49360	GASKET	1							
26	1	124465-44950	GASKET, 16	1							
27	1	129263-49610	PIPE, WATER	1							
28	2	129263-49710	PIPE, WATER	1							
29	2	124722-59050	CLIP, HOSE 9	2							
30	1	129263-49620	PIPE, WATER	1							
31	2	129263-49720	PIPE, WATER	1							
32	2	124722-59050	CLIP, HOSE 9	2							
33	1	129550-42350	V-PULLEY, D=120	1							
34	1	129052-42290	V-BELT, A40.5	1							
35	1	129655-44740	FAN, COOLING D380	1							
36	1	129030-44760	SPACER, FAN L38.5	1							
37	1	26106-060502	BOLT, M6X 50 PLATED	4							
38	1	129155-49801	THERMOSTAT, 71	1							
39	1	129150-49811	GASKET, THERMOSTAT	1							
40	1	129350-49530	COVER, THERMOSTAT	1							
41	1	129795-49551	GASKET	1							

N:Old  $\frac{100}{100}$  New, Q:Old  $\frac{100}{100}$  New, R:Old  $\frac{100}{100}$  New, S:Old  $\frac{100}{100}$  New, W:Add, Z:Discontinued, F:Interchangeable by set, K:Qty Change  
 Copyright (C) YANMAR CO., LTD. All Rights Reserved.

Fig.14. FUEL INJECTION PUMP

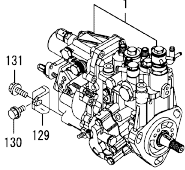
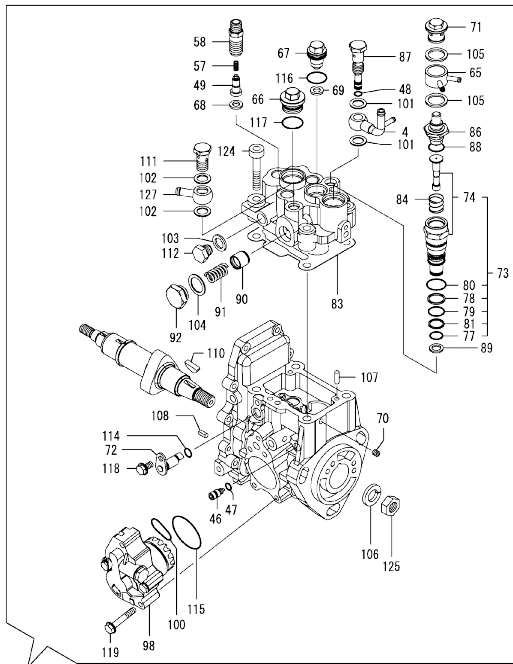


Remarks  
 (1) GOVERNOR ASSY(FIG.15) IS  
 INCORPORATED IN THIS FOP.CMP  
 (REF.NO.1).

No.	Lev.	Parts No.	Description	Q'ty						I	R
				(A)	(B)	(C)	(D)	(E)	(F)		
1	1	729266-51390	PUMP ASSY, INJECTION	1							1
4	2	158552-51670	JOINT, OVER FLOW	1							
46	2	158600-51270	STOPPER, TAPPET	1							
47	2	158563-51281	O-RING, 4D S6	1							
48	2	158563-51281	O-RING, 4D S6	1							
49	2	158560-51300	VALVE ASSY, DELIVERY	3							
57	2	158563-51330	SPRING, DELIVERY	3							
58	2	158601-51340	HOLDER, DELIVERY	3							
65	2	158553-51551	JOINT	1							
66	2	158601-51550	PLUG	1							
67	2	119802-51560	PLUG, BARREL	1							
68	2	158552-51570	GASKET	3							
69	2	158552-51570	GASKET	1							
70	2	158557-51570	PLUG	1							
71	2	158601-51570	PLUG	1							
72	2	158552-51580	LIFTER	1							
73	2	119802-51590	TIMER SET	1							
74	3	119802-51600	TIMER ASSY	1							
77	3	158553-51670	O-RING, 1011	1							
78	3	119802-51680	RING, BACK UP	1							
79	3	119802-51690	O-RING	1							
80	3	24356-010200	O-RING, 4D1020	1							
81	3	24372-000150	RING, BACK UP T2P15	1							
83	2	158552-51600	GASKET	1							
84	2	158553-51630	SPRING, TIMER	1							
86	2	158553-51640	ELEMENT	1							
87	2	158601-51650	JOINT, OVER FLOW	1							
88	2	158553-51660	O-RING, P14	1							
89	2	158553-51680	GASKET	1							
90	2	158601-51770	PISTON	1							
91	2	158552-51780	SPRING	1							
92	2	158601-51790	PLUG	1							
98	2	158552-52100	PUMP ASSY, FUEL FEED	1							
100	2	158552-52310	O-RING	1							
101	2	22190-120002	WASHER, SEAL 12	2							
102	2	22190-120002	WASHER, SEAL 12	2							
103	2	22190-120002	WASHER, SEAL 12	1							
104	2	22190-180002	WASHER, SEAL 18	1							
105	2	22190-180002	WASHER, SEAL 18	2							
106	2	22217-140000	WASHER, SPRING 14	1							
107	2	22312-050140	PIN, PARALLEL M5X14	2							
108	2	22351-050010	PIN, SPRING 5.0X10	2							
110	2	119802-51090	KEY, 4X16	1							
111	2	23857-060000	BOLT, JOINT 6	1							
112	2	23887-120002	PLUG, 12	1							
114	2	24311-000070	O-RING, 1AP7.0	1							
115	2	158552-52400	O-RING, 4E S42	1							
116	2	24356-010180	O-RING, 4D1018	1							
117	2	24356-010200	O-RING, 4D1020	1							
118	2	26106-060102	BOLT, M6X 10 PLATED	1							
119	2	158553-51770	BOLT	4							

N:Old  $\frac{New}{Old}$  New, Q:Old  $\frac{New}{Old}$  New, R:Old  $\frac{New}{Old}$  New, S:Old  $\frac{New}{Old}$  New, W:Add, Z:Discontinued, F:Interchangeable by set, K:Q'ty Change  
 ++ CONTINUE ++  
 Copyright (C) YANMAR CO., LTD. All Rights Reserved.

Fig.14. FUEL INJECTION PUMP



(A)=3TNV84T-LU2  
(B)=  
(C)=

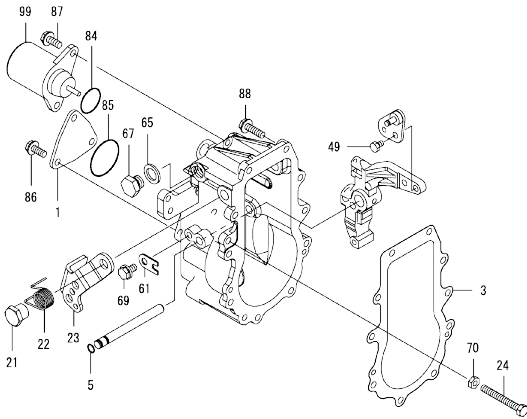
(D)=  
(E)=  
(F)=

No.	Lev.	Parts No.	Description	Q'ty					
				(A)	(B)	(C)	(D)	(E)	(F)
124	2	26450-080452	BOLT, M8X 45	4					
125	2	26776-140002	NUT, LOCK M14	1					
127	2	129916-59020	JOINT, PIPE 12	1					
129	1	119802-51250	RETAINER, PUMP	1					
130	1	26106-080162	BOLT, M8X 16 PLATED	1					
131	1	26106-080202	BOLT, M8X 20 PLATED	1					

Remarks  
(1) GOVERNOR ASSY(FIG.15) IS  
INCORPORATED IN THIS FOP.CMP  
(REF.NO.1).

N:Old  $\frac{100}{100}$  New, Q:Old  $\frac{100}{100}$  New, R:Old  $\frac{100}{100}$  New, S:Old  $\frac{100}{100}$  New, W:Add, Z:Discontinued, F:Interchangeable by set, K:Q'ty Change  
Copyright (C) YANMAR CO., LTD. All Rights Reserved.

Fig.15. GOVERNOR



(A)=3TNV84T-LU2  
(B)=  
(C)=

(D)=  
(E)=  
(F)=

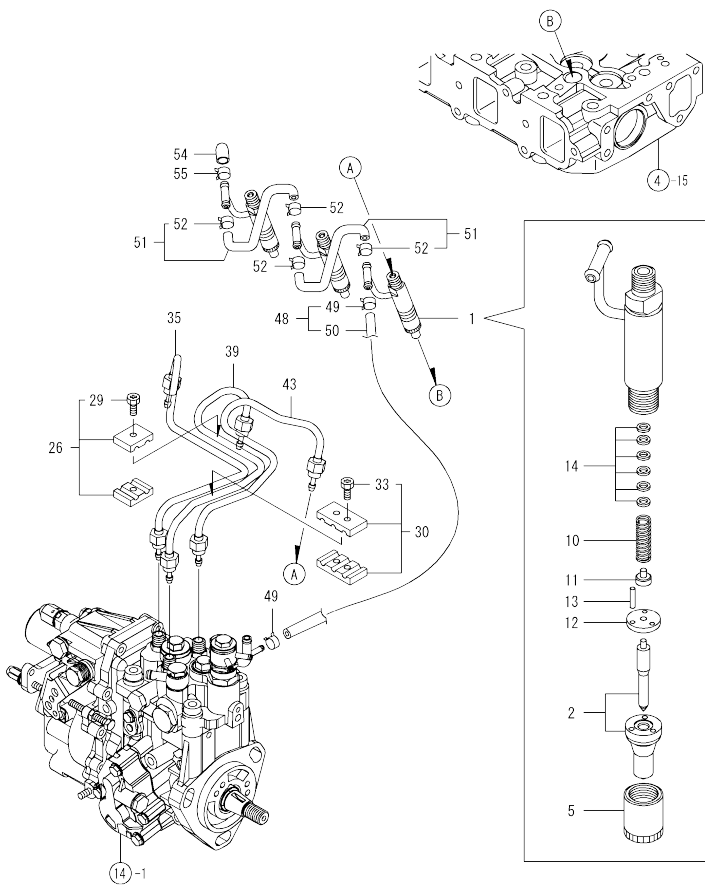
No.	Lev.	Parts No.	Description	Q'ty						I	R
				(A)	(B)	(C)	(D)	(E)	(F)		
1	2	158563-61060	COVER, GOVERNOR CASE	1							
3	2	158553-61050	GASKET	1							
5	2	129155-51280	O-RING, S6	1							
21	2	129255-61410	NUT, LOCK	1							
22	2	119807-61420	SPRING, RETURN	1							
23	2	158552-61441	LEVER, REGULATOR	1							
24	2	129155-61460	BOLT, IDLE	1							
49	2	26116-060102	BOLT, M6X 10 PLATED	1							
61	2	119660-61901	RETAINER, SHAFT	1							
65	2	22190-120000	WASHER, SEAL 12	1							
67	2	23887-120002	PLUG, 12	1							
69	2	26106-060102	BOLT, M6X 10 PLATED	1							
70	2	26756-060002	NUT, LOCK M6	1							
84	2	24341-000280	O-RING, 1AS28.0	1							
84-1	2	158552-61900	O-RING	1							N
(A=EXXXXX)											
85	2	24341-000360	O-RING, 1AS36.0	1							
86	2	26106-060102	BOLT, M6X 10 PLATED	3							
87	2	26106-060142	BOLT, M6X 14 PLATED	2							
88	2	26106-060202	BOLT, M6X 20 PLATED	10							
99	2	119653-77950	SOLENOID, STOP	1							

Remarks  
\* THIS FIGURE(GOVERNOR ASSY)IS  
INCORPORATED IN THE FUEL INJECTION  
PUMP ASSY(FIG.14).

Fig.16. FUEL INJECTION VALVE

(A)=3TNV84T-LU2  
(B)=  
(C)=

(D)=  
(E)=  
(F)=

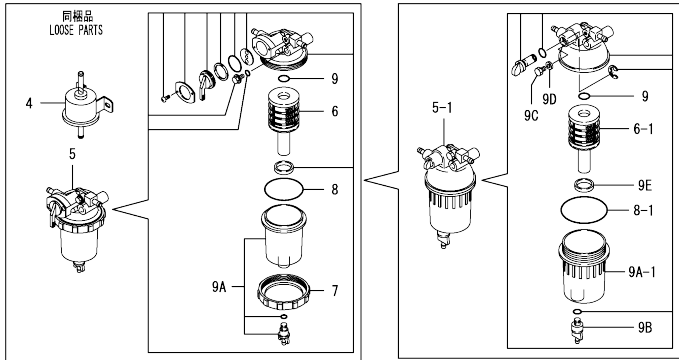
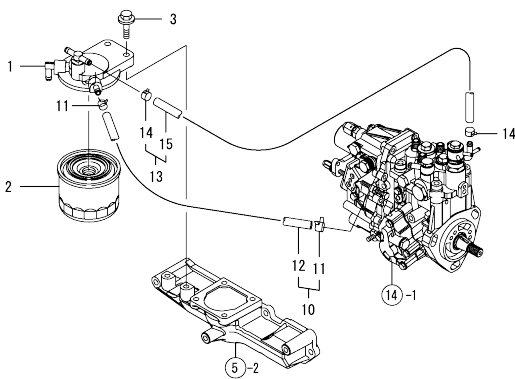


No.	Lev.	Parts No.	Description	Q'ty						I	R
				(A)	(B)	(C)	(D)	(E)	(F)		
1	1	729004-53101	VALVE ASSY, INJECTION	3							
2	2	129004-53001	VALVE ASSY, INJECTION	3							
5	2	114250-53080	NUT, NOZZLE D16.95	3							
10	2	114250-53120	SPRING, NOZZLE	3							
11	2	114250-53130	SEAT, SPRING	3							
12	2	114250-53140	PLATE	3							
13	2	114250-53210	PIN	6							
14	2	114250-53400	SHIM SET	3							
26	1	119305-59120	RETAINER, PIPE	1							
29	2	129150-59131	BOLT, M4X14	1							
30	1	129150-59120	RETAINER, PIPE	1							
33	2	129150-59131	BOLT, M4X14	2							
35	1	129004-59810	PIPE ASSY, INJECTION	1							
39	1	129004-59820	PIPE ASSY, INJECTION	1							
43	1	129004-59830	PIPE ASSY, INJECTION	1							
48	1	119802-59550	PIPE ASSY, RETURN	1							
49	2	124722-59050	CLIP, HOSE 9	2							
50	2	119802-59560	PIPE, FUEL RETURN	1							
51	1	129486-59551	PIPE ASSY, RETURN	2							
52	2	124722-59050	CLIP, HOSE 9	4							
54	1	119593-59580	CAP	1							
55	1	124060-77680	CLIP, HOSE 10	1							

Fig.17. FUEL LINE

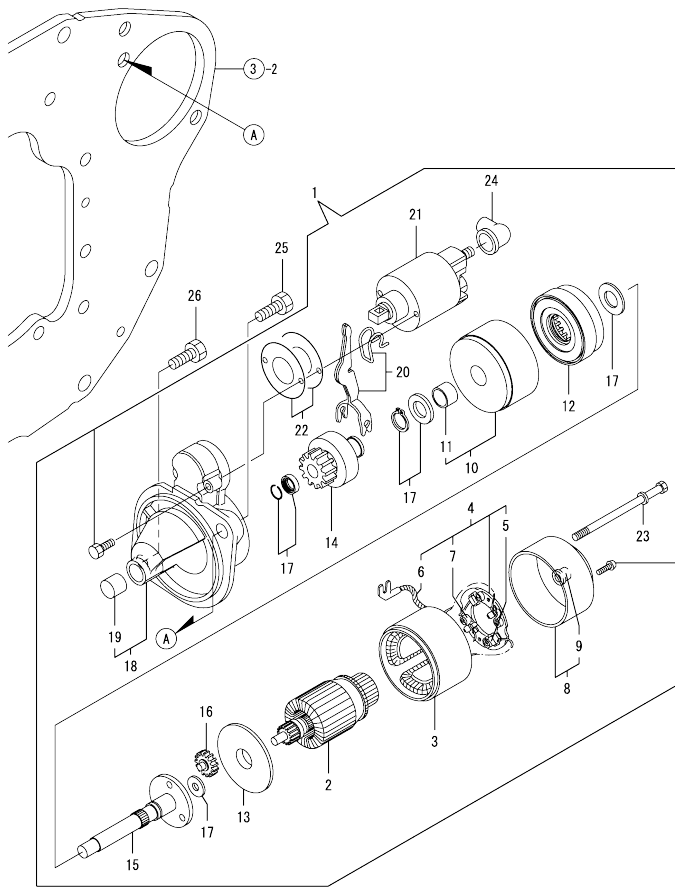
(A)=3TNV84T-LU2  
(B)=  
(C)=

(D)=  
(E)=  
(F)=



No.	Lev.	Parts No.	Description	Qty						I	R	
				(A)	(B)	(C)	(D)	(E)	(F)			
1	1	129004-55611	BRACKET, FILTER	1								
2	1	119802-55800	FILTER, FUEL	1								
3	1	26106-080302	BOLT, M8X 30 PLATED	2								
4	1	119225-52102	PUMP ASSY, FUEL FEED	1								
5	1	119802-55700	SEPARATOR ASSY	1								
5-1	1	129242-55700	SEPARATOR ASSY	1								N
(A=2008.08.)												
6	2	119802-55710	ELEMENT	1								
6-1	2	129242-55730	ELEMENT	1								S
(A=2008.08.)												
7	2	129100-55690	RING, RETAINING	1								Z
(A=2008.08.)												
8	2	24321-000650	O-RING, 1AG65.0	1								
8-1	2	24321-000750	O-RING, 1AG75.0	1								S
(A=2008.08.)												
9	2	24311-000160	O-RING, 1AP16.0	1								
9A	2	119802-55730	CUP ASSY	1								W
(A=FROM 1ST)												
9A-1	2	129242-55720	CUP	1								S
(A=2008.08.)												
9B	2	129242-55740	PLUG, DRAIN	1								W
(A=2008.08.)												
9C	2	129242-55750	VALVE, AIR VENT	1								W
(A=2008.08.)												
9D	2	129242-55760	GASKET	1								W
(A=2008.08.)												
9E	2	129242-55770	FLOAT	1								W
(A=2008.08.)												
10	1	129210-59100	PIPE ASSY, FUEL	1								
11	2	124766-59050	CLIP, HOSE 12	2								
12	2	105025-59580	PIPE, FUEL	1								
13	1	129210-59230	PIPE ASSY, FUEL	1								
14	2	124766-59050	CLIP, HOSE 12	2								
15	2	129555-59511	PIPE, FUEL	1								

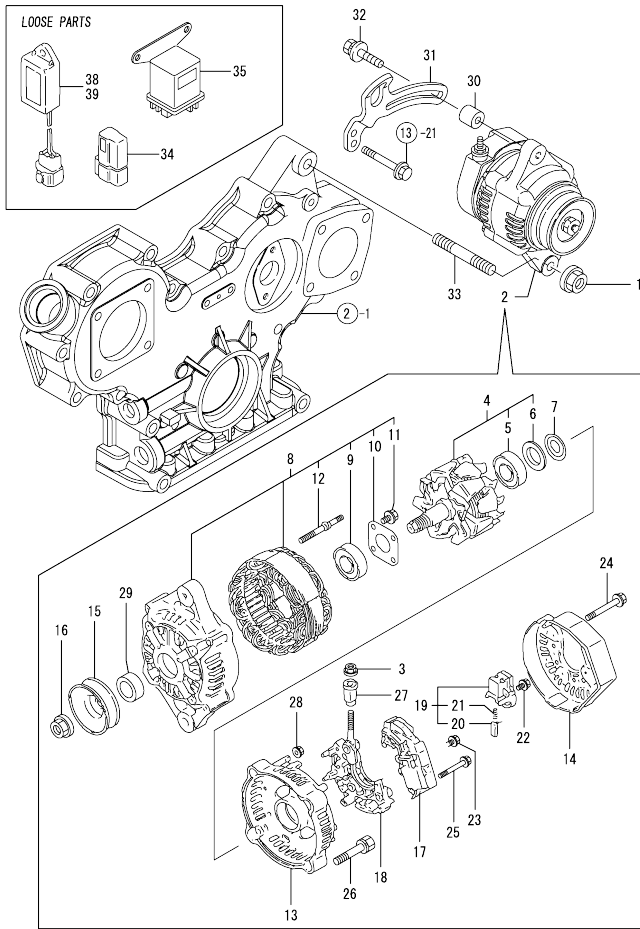
Fig.18. STARTING MOTOR



No.	Lev.	Parts No.	Description	Q'ty						I	R
				(A)	(B)	(C)	(D)	(E)	(F)		
1	1	129052-77010	STARTER, CR1.2	1							
2	2	129698-77101	ARMATURE ASSY	1							
3	2	129698-77110	YOKE ASSY	1							
4	2	129698-77120	HOLDER ASSY, BRUSH	1							
5	3	129698-77130	BRUSH	2							
6	3	129698-77140	BRUSH SET	1							
7	3	129698-77150	SPRING, BRUSH	4							
8	2	129698-77161	COVER ASSY	1							
9	3	129698-77170	BEARING, COVER	1							
10	2	129698-77180	BRACKET, CENTER	1							
11	3	129698-77190	BRACKET, CENTER	1							
12	2	129698-77200	GEAR, INTERNAL	1							
13	2	129698-77210	BRACKET	1							
14	2	129698-77220	PINION ASSY	1							
15	2	129698-77230	SHAFT, PINION	1							
16	2	129698-77240	GEAR, PLANETARY	3							
17	2	129698-77250	WASHER SET	1							
18	2	129052-77030	HOUSING ASSY, GEARS	1							
19	3	X2114535200	BEARING, STARTER	1							
20	2	129698-77270	LEVER SET, SHIFT	1							
21	2	129052-77040	SWITCH ASSY, MAGNET	1							
22	2	129698-77280	COVER KIT, DUST	1							
23	2	124195-77770	BOLT, THROUGH	2							
24	2	X2114274200	COVER, TERMINAL	1							
25	1	129155-77060	BOLT	1							
26	1	26116-120202	BOLT, M12X 20 PLATED	1							

N:Old  $\frac{100}{100}$  New, Q:Old  $\frac{100}{100}$  New, R:Old  $\frac{100}{100}$  New, S:Old  $\frac{100}{100}$  New, W:Add, Z:Discontinued, F:Interchangeable by set, K:Q'ty Change  
 Copyright (C) YANMAR CO., LTD. All Rights Reserved.

Fig.19. GENERATOR



No.	Lev.	Parts No.	Description	Q'ty						I	R
				(A)	(B)	(C)	(D)	(E)	(F)		
1	1	26306-100002	NUT, M10	1							
2	1	119620-77201	GENERATOR, 40A	1							
3	2	X9490561001	NUT	1							
4	2	119620-77380	ROTOR ASSY	1							
5	3	119620-79240	BALL BEARING	1							
6	3	119620-79250	COVER, BEARING	1							
7	2	119620-79360	WASHER, THRUST	1							
8	2	119620-77421	FRAME ASSY, DRIVE	1							
9	3	119620-79200	BALL BEARING	1							
10	3	119620-79210	PLATE	1							
11	3	119620-79220	SCREW	4							
12	3	119620-79230	BOLT, STUD	2							
13	2	119620-77440	FLAME ASSY, REAR	1							
14	2	119620-77450	COVER	1							
15	2	119620-77461	PULLEY	1							
16	2	119620-77471	NUT	1							
17	2	119620-77710	REGULATOR ASSY	1							
18	2	119620-79260	HOLDER	1							
19	2	119620-79270	HOLDER, BRUSH	1							
20	3	119620-77480	BRUSH ASSY	2							
21	3	119620-79280	SPRING	2							
22	2	119620-79290	SCREW	6							
23	2	119620-79300	SCREW	1							
24	2	119620-79310	BOLT	3							
25	2	119620-79320	SCREW W/WASHER	2							
26	2	119620-79330	BOLT	2							
27	2	119620-79340	INSULATION BUSH	1							
28	2	119620-79350	NUT	2							
29	2	119620-77490	COLLAR	1							
30	1	124732-77340	SPACER	1							
31	1	129107-77330	ADJUSTER	1							
32	1	129972-77341	BOLT, ADJUSTER L=50	1							
33	1	129795-01900	STUD	1							
34	1	119643-66900	DIODE	1							
35	1	119650-77910	RELAY ASSY, GLOW	1							
36	1	128300-77920	TIMER	1							
39	1	129211-77920	TIMER	1							

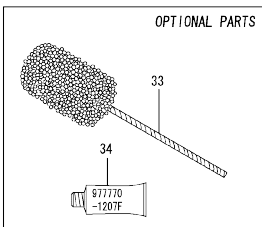
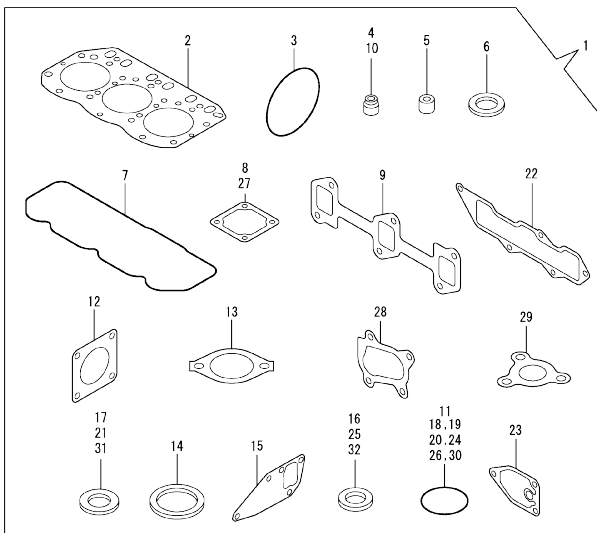
N:Old  $\frac{100}{100}$  New, Q:Old  $\frac{100}{100}$  New, R:Old  $\frac{100}{100}$  New, S:Old  $\frac{100}{100}$  New, W:Add, Z:Discontinued, F:Interchangeable by set, K:Q'ty Change  
 Copyright (C) YANMAR CO., LTD. All Rights Reserved.



Fig.20. GASKET SET

(A)=3TNV84T-LU2  
(B)=  
(C)=

(D)=  
(E)=  
(F)=



No.	Lev.	Parts No.	Description	Q'ty						I	R	
				(A)	(B)	(C)	(D)	(E)	(F)			
1	1	729246-92840	GASKET SET	1							1	
2	2	129002-01331	GASKET, HEAD	1								
3	2	121850-51960	O-RING	1								
4	2	124460-11340	SEAL, VALVE STEM	3								
5	2	119802-11870	PROTECTOR, NOZZLE	3								
6	2	119625-11880	SEAT, NOZZLE	3								
7	2	129004-11310	GASKET, BONNET	1								
8	2	129150-77511	GASKET	1								
9	2	129150-13110	GASKET	1								
10	2	121400-11340	SEAL, VALVE STEM	3								
11	2	24311-000160	O-RING, 1AP16.0	1								
12	2	124240-01883	GASKET	2								
13	2	129795-49551	GASKET	1								
14	2	129150-49811	GASKET, THERMOSTAT	1								
15	2	129486-42050	GASKET, WATER PUMP	1								
16	2	22190-080002	WASHER, SEAL 6	2								
17	2	124465-44950	GASKET, 16	1								
18	2	24311-000120	O-RING, 1AP12.0	3								
19	2	24311-000320	O-RING, 1AP32.0	2								
20	2	24341-000240	O-RING, 1AS24.0	1								
21	2	129150-49360	GASKET	1								
22	2	129001-12110	GASKET, MANIFOLD	1								
23	2	129150-35111	GASKET	1								
24	2	119609-32040	O-RING, P16	4								
25	2	22190-100002	WASHER, SEAL 10	2								
26	2	24341-000400	O-RING, 1AS40.0	1								
27	2	129100-77510	GASKET, AIR HEATER	1								
28	2	129403-18091	GASKET	1								
29	2	129535-18100	GASKET	1								
30	2	24314-000160	O-RING, 4CP16.0	1								
31	2	23414-080000	GASKET, 8X1.0	3								
32	2	22190-120002	WASHER, SEAL 12	1								
33	1	129400-92420	FLEX HORN	1								1
34	1	977770-1207F	GASKET, LIQUID	1								1

Remarks  
(1) OPTIONAL PART.

## Parts No. Index

Parts No.	Fig. No.	Ref. No.
105010-39140	12	1
105025-59580	17	12
114250-39450	11	27
114250-53080	16	5
114250-53120	16	10
114250-53130	16	11
114250-53140	16	12
114250-53210	16	13
114250-53400	16	14
119131-18320	6	5
119225-52102	17	4
119305-59120	16	26
119593-59580	16	54
119609-32040	2	17
	20	24
119620-77201	19	2
119620-77380	19	4
119620-77421	19	8
119620-77440	19	13
119620-77450	19	14
119620-77461	19	15
119620-77471	19	16
119620-77480	19	20
119620-77490	19	29
119620-77710	19	17
119620-79200	19	9
119620-79210	19	10
119620-79220	19	11
119620-79230	19	12
119620-79240	19	5
119620-79250	19	6
119620-79260	19	18
119620-79270	19	19
119620-79280	19	21
119620-79290	19	22
119620-79300	19	23
119620-79310	19	24
119620-79320	19	25
119620-79330	19	26
119620-79340	19	27
119620-79350	19	28
119620-79360	19	7
119625-11880	4	35
	20	6
119643-66900	19	34
119650-77910	19	35
119653-77950	15	99
119660-61901	15	61
119802-01560	2	13
119802-11260	4	6

Parts No.	Fig. No.	Ref. No.
119802-11270	4	7
119802-11280	4	8
119802-11870	4	56
	20	5
119802-21202	9	5
119802-25051	7	10
119802-25070	7	14
119802-25100	7	11
119802-25901	7	17
119802-32070	2	8
119802-32100	2	7
119802-32111	2	18
119802-32120	2	19
119802-32130	2	20
119802-35110	11	6
119802-51090	14	110
119802-51250	14	129
119802-51560	14	67
119802-51590	14	73
119802-51600	14	74
119802-51680	14	78
119802-51690	14	79
119802-55700	17	5
119802-55710	17	6
119802-55730	17	9 A
119802-55800	17	2
119802-59550	16	48
119802-59560	16	50
119807-61420	15	22
119940-59130	11	23
120130-11860	4	22
120270-54410	4	37
121023-01550	2	28
121111-21501	9	12
121400-11340	4	30
	20	10
121520-34810	11	2
121550-23200	9	30
121850-21680	9	11
121850-51960	2	21
	20	3
123900-13630	6	3
124060-01050	1	5
124060-77680	16	55
124160-01751	2	14
	4	42
124160-01910	1	7
		8
	3	18
124160-11360	4	53

Parts No.	Fig. No.	Ref. No.
124160-39140	12	2
124195-77770	18	23
124240-01871	2	15
	10	2 -1
		18 -1
124240-01883	10	1
	20	12
124250-49351	13	24
124460-11340	4	31
	20	4
124465-44950	13	26
	20	17
124550-21600	9	16
124722-59050	13	29
		32
	16	49
		52
124732-77340	19	30
124766-59050	17	11
		14
128300-77920	19	38
129001-01250	1	6
129001-02930	1	25
129001-12110	5	4
	20	22
129001-32330	2	11
129001-91841	2	22
129001-91870	3	23
129001-91910	3	24
129002-01331	1	33
	20	2
129004-01190	1	31
129004-03010	4	44
129004-11101	4	26
129004-11241	4	3
129004-11251	4	4
129004-11310	4	49
	20	7
129004-11650	4	10
129004-11900	4	36
129004-21002	9	1
129004-53001	16	2
129004-55611	17	1
129004-59810	16	35
129004-59820	16	39
129004-59830	16	43
129005-59830	12	4
129006-01530	2	12
129006-03120	4	46
129006-11350	4	43

Parts No.	Fig. No.	Ref. No.
129006-11700	4	15
129006-12110	5	2
129006-35100	11	5
129006-44480	11	11
129007-22080	9	17
129007-22500	9	19
129007-22510	9	37
129007-22900	9	35
129030-44760	13	36
129052-01551	3	11
129052-01691	3	15
129052-01770	3	10
129052-35090	11	4
129052-42290	13	34
129052-77010	18	1
129052-77030	18	18
129052-77040	18	21
129054-01640	3	14
129054-21591	9	13
129054-42320	13	11
129055-21650	9	9
129100-01580	3	1
		5
	9	2
129100-01640	3	6
129100-11130	4	27
129100-23910	9	29
129100-55690	17	7
129100-77500	5	9
129100-77510	5	10
	20	27
129107-44901	13	23
129107-77330	19	31
129122-44480	2	33
129129-14580	7	3
129150-01200	1	32
129150-01580	2	32
129150-01600	3	2
129150-01881	7	21
129150-02020	1	10
129150-02450	7	4
129150-02870	1	34
129150-02930	1	28
129150-02940	1	37
129150-03070	4	45
129150-03090	4	58
129150-11230	4	11
129150-11280	4	9
129150-11370	4	14
129150-11750	4	13

## Parts No. Index

Parts No.	Fig. No.	Ref. No.
129150-11810	4	24
129150-13110	6	2
	20	9
129150-14101	7	7
129150-14200	7	1
129150-14400	7	2
129150-23600	9	31
129150-23610	9	33
129150-25301	7	16
129150-26000	7	22
129150-26050	7	23
129150-35111	11	9
	20	23
129150-35170	11	10
129150-42059	13	3
129150-42300	13	8
129150-42319	13	9
129150-49360	13	25
	20	21
129150-49811	13	39
	20	14
129150-59120	16	30
129150-59131	16	29
		33
129150-77511	5	11
	20	8
129155-49801	13	38
129155-51280	15	5
129155-61460	15	24
129155-77060	18	25
129165-77520	5	12
129202-22300	9	23
129210-59100	17	10
129210-59230	17	13
129211-77920	19	39
129242-55700	17	5 -1
129242-55720	17	9 A-1
129242-55730	17	6 -1
129242-55740	17	9 B
129242-55750	17	9 C
129242-55760	17	9 D
129242-55770	17	9 E
129255-61410	15	21
129263-34811	11	1
129263-42000	13	1
129263-42120	13	4
129263-49610	13	27
129263-49620	13	30
129263-49710	13	28
129263-49720	13	31

Parts No.	Fig. No.	Ref. No.
129266-12050	5	1
129266-13100	6	1
129266-18010	8	3
129266-39450	12	3
129266-39610	12	12
129266-39620	12	13
129350-49530	13	40
129400-92420	20	33
129403-18091	6	4
	20	28
129417-33110	11	16
129417-35150	11	7
129418-32320	2	10
129466-49300	11	12
129486-01670	3	9
129486-42050	13	17
	20	15
129486-59551	16	51
129508-33010	11	14
129508-33050	11	15
129508-49030	11	17
129508-49040	11	21
129535-18100	8	1
	20	29
129550-42350	13	33
129553-39650	11	34
129555-01750	3	20
129555-59511	17	15
129655-44740	13	35
129698-77101	18	2
129698-77110	18	3
129698-77120	18	4
129698-77130	18	5
129698-77140	18	6
129698-77150	18	7
129698-77161	18	8
129698-77170	18	9
129698-77180	18	10
129698-77190	18	11
129698-77200	18	12
129698-77210	18	13
129698-77220	18	14
129698-77230	18	15
129698-77240	18	16
129698-77250	18	17
129698-77270	18	20
129698-77280	18	22
129792-39410	11	28
129795-01780	3	8
129795-01800	2	6

Parts No.	Fig. No.	Ref. No.
129795-01900	19	33
129795-01950	2	16
129795-02411	1	13
129795-11120	4	28
129795-11180	4	29
129795-21661	9	10
129795-49551	13	41
	20	13
129900-07900	4	1
129900-32130	2	9
129916-49740	13	16
129916-59020	14	127
129972-77341	19	32
129C26-01890	10	1 -1
		1 -2
		41
158552-51151	7	18
158552-51570	14	68
		69
158552-51580	14	72
158552-51600	14	83
158552-51670	14	4
158552-51780	14	91
158552-52100	14	98
158552-52310	14	100
158552-52400	14	115
158552-61441	15	23
158552-61900	15	84 -1
158553-51551	14	65
158553-51630	14	84
158553-51640	14	86
158553-51660	14	88
158553-51670	14	77
158553-51680	14	89
158553-51770	14	119
158553-61050	15	3
158557-51570	14	70
158560-51300	14	49
158563-51281	14	47
		48
158563-51330	14	57
158563-61060	15	1
158600-51270	14	46
158601-51340	14	58
158601-51550	14	66
158601-51570	14	71
158601-51650	14	87
158601-51770	14	90
158601-51790	14	92
171008-03990	11	18

Parts No.	Fig. No.	Ref. No.
171051-01921	1	9
171056-49120	11	26
198072-41110	10	2
198072-41120	10	18
22190-080002	12	6
		7
	20	16
22190-100002	12	9
		20
		25
22190-120000	15	65
22190-120002	3	13
	14	101
		102
		103
	20	32
22190-180002	14	104
		105
22217-140000	7	19
	14	106
22252-000260	9	24
22312-050140	14	107
22351-030010	11	35
22351-050010	14	108
22351-060012	4	38
22512-070140	7	8
	9	6
		8
22857-500100	4	50
		51
23000-022000	12	14
23000-041000	5	5
23000-060000	5	6
23080-015000	11	20
		24
23080-018000	11	25
23297-140081	12	15
23414-080000	12	8
	13	18
	20	31
23857-030000	12	5
23857-060000	14	111
23876-030000	2	4
23876-040000	2	5
23887-120002	14	112
	15	67
24105-060064	7	25
24311-000070	14	114
24311-000120	4	54
	20	18
24311-000160	11	3

## Parts No. Index

Parts No.	Fig. No.	Ref. No.
24311-000160	17	9
	20	11
24311-000320	2	23
	4	55
	20	19
24314-000160	12	16
	20	30
24321-000650	17	8
24321-000750	17	8 -1
24341-000240	2	29
	20	20
24341-000280	15	84
24341-000360	15	85
24341-000400	4	52
	20	26
24356-010180	14	116
24356-010200	14	80
		117
24372-000150	14	81
26106-060102	14	118
	15	69
		86
26106-060122	11	13
26106-060142	15	87
26106-060162	2	30
	12	17
26106-060202	13	13
	15	88
26106-060502	13	37
26106-080122	3	19
	12	10
	13	19
26106-080142	7	9
26106-080162	2	24
		25
	4	2
	10	40
	14	130
26106-080202	5	7
	11	8
	14	131
26106-080222	13	22
26106-080252	3	21
	4	39
26106-080302	10	42
	17	3
26106-080352	4	40
26106-080402	5	13
	7	15
26106-080502	3	22

Parts No.	Fig. No.	Ref. No.
26106-080502	4	41
26106-080552	2	26
	13	20
26106-080602	13	21
26106-080802	5	8
	10	34
26106-080952	10	35
26116-060102	15	49
26116-060162	13	14
26116-120202	18	26
26206-100202	3	4
26216-080222	10	36
26216-080402	10	37
26306-080002	2	27
	8	2
	10	38
		39
		39 -1
26306-100002	19	1
26366-060002	12	11
26450-080452	14	124
26577-060152	13	12
26756-060002	15	70
26776-140002	7	20
	14	125
27241-120000	1	14
27241-300000	1	15
27241-400000	4	34
27310-080001	4	32
729004-01500	2	1
729004-53101	16	1
729006-01560	1	1
729246-92840	20	1
729266-51390	14	1
729402-23100	9	25
977770-1207F	2	31
	3	3
	4	57
	20	34
X2114274200	18	24
X2114535200	18	19
X9490561001	19	3

Parts No.	Fig. No.	Ref. No.
-----------	----------	----------

Parts No.	Fig. No.	Ref. No.
-----------	----------	----------