

0CW10-M51500EN

P R E F A C E

1. This parts catalog is the 1st edition of 3TNV84T-XKMR for KOHLER.

Pub.No. : 0CW10-G51500

Published : May, 2009

2. Model name

Engine model	Vehicle	Vehicle made by
3TNV84T-XKMR	MARINE GENERATOR	KOHLER

Directions for the Parts Catalog.

1. The parts stipulated in this Parts Catalog are not necessarily standard equipped parts.
2. Parts may change without prior notice.
3. The following is an example of the Parts Catalog format.

REF.	LEV.	PARTS NO.	DESCRIPTION	Q'TY						I	R
				(A)	(B)	(C)	(D)	(E)	(F)		
1	1	729595-51390	FUEL INJECTION PUMP	1	1	1	1	1			1
1-1	1	729595-51391	FUEL INJECTION PUMP	1	1	1	1	1		N	1
		(A=E00185) (B=E00200)									
3	2	26022-060162	SCREW M 6X 16	9	9	9	9	9			
3-1	2	26022-060162	SCREW M 6X 16	4	4	4	4	4		K	
		(A=E00156) (B=E00156) (C=E00156) (D=E00156) (E=E00156)									
4	2	129470-51040	CAMSHAFT	1	1	1	1	1			
5	2	122710-51050	BEARING, ROLLER	2	2	2	2	2			
6	2	129470-51060	RETAINER	1	1	1	1	1			

Remarks
(1) BOOST COMPEMSATOR TYPE. OPTIONAL PART, TO E00155,(4JH-DT, 4JH-DTZ

① Ref. No.

The Ref. No. listed may not be in accordance with the illustration Ref. No.

(Ex.) Illustration No.

List Ref No.

1 1 (Before change) → 1-1 (After change)

For interchangeable symbols N, R and K, illustrations for new parts may be abbreviated.

② Lev. (Level)

Level indication

The numbers below indicate the level of relativity towards the main part.

1 ---- Main parts (Assembly parts)

2 ---- Sub component included in " 1 ".

3 ---- Sub component included in " 2 ".

Note) Parts that are not for sale are partially illustrated but not listed.

③ Interchangeability Mark

When a part change takes place, one of the following interchangeability symbols is indicated beside the part.

Symbol	Interchangeability	Contents note
N	Old $\begin{matrix} \leftarrow \text{Yes} \\ \text{No} \rightarrow \end{matrix}$ New	New Part is interchangeable for Old Part but Old Part is not interchangeable for New Part.
Q	Old $\begin{matrix} \leftarrow \text{No} \\ \text{Yes} \rightarrow \end{matrix}$ New	New Part is not interchangeable for Old Part but Old Part is interchangeable for New Part.
R	Old $\begin{matrix} \leftarrow \text{Yes} \\ \text{Yes} \rightarrow \end{matrix}$ New	New/ Old Parts are both interchangeable.
S	Old $\begin{matrix} \leftarrow \text{No} \\ \text{No} \rightarrow \end{matrix}$ New	New/ Old Parts are both not interchangeable.
W		Part newly added.
Z		Part discontinued.
F		Not interchangeable by a single part but interchangeable together with related parts.
K		Changes only for used parts quantities.

④ Effective Machine No.

When a part changes, the effective Machine No. will be indicated in the (A)-(F) column.

Product Symbol	Product No.	Product Symbol	Product No.
C	Clutch No. Compressor No.	F	Machine No. (Agricultural Equip.)
D	Drive No.	M	Machine No.
E	Engine No.	Note 1)	Date

Note 1) A date may follow the symbol. (Ex.) 1996.01

Note 2) " XXX " are for parts that could not be predicted or for engine models that could not be identified.

Note 3) (A=E00185) is the E (Engine Serial Number) for the column (A) model (in this case 4JH-DT) after the parts design change.

⑤ Remarks Mark

Figures or alphabets (symbols) are entered in the remarks column.

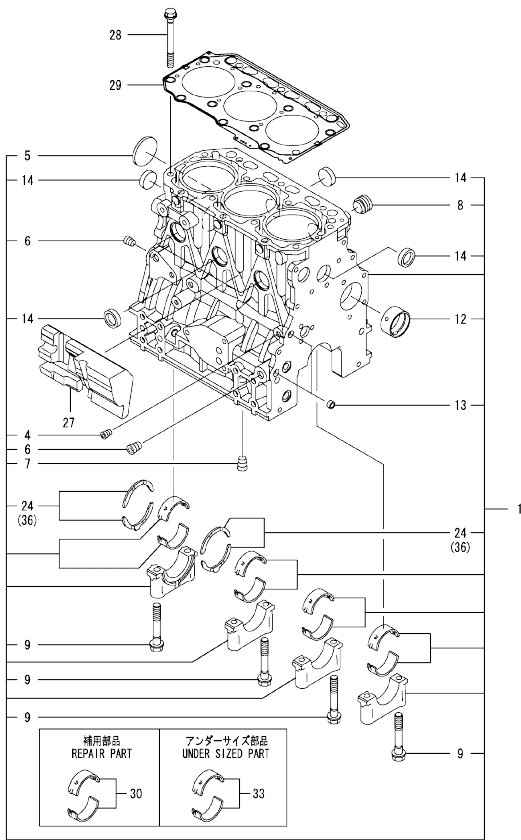
The comments (remarks) on parts that are indicated at the bottom of the illustration are the same symbols as those stated above.

Contents

0CW10-M51500

Fig. No.	Fig. Name	Fig. No.	Fig. Name
3TNV84T-XKMR			
1.	CYLINDER BLOCK		
2.	GEAR HOUSING		
3.	MOUNTING FLANGE & OIL SUMP		
4.	CYLINDER HEAD & BONNET		
5.	SUCTION MANIFOLD		
6.	CAMSHAFT & DRIVING GEAR		
7.	TURBINE		
8.	CRANKSHAFT & PISTON		
9.	LUB.OIL SYSTEM		
10.	LUB.OIL LINE		
11.	COOLING FRESH WATER SYSTEM		
12.	COOLING SEA WATER SYSTEM		
13.	COOLING FRESH WATER COOLER		
14.	FUEL INJECTION PUMP		
15.	GOVERNOR		
16.	FUEL INJECTION VALVE		
17.	FUEL LINE		
18.	STARTING MOTOR		
19.	GASKET SET		

Fig.1. CYLINDER BLOCK



(A)=3TNV84T-XKMR
(B)=
(C)=

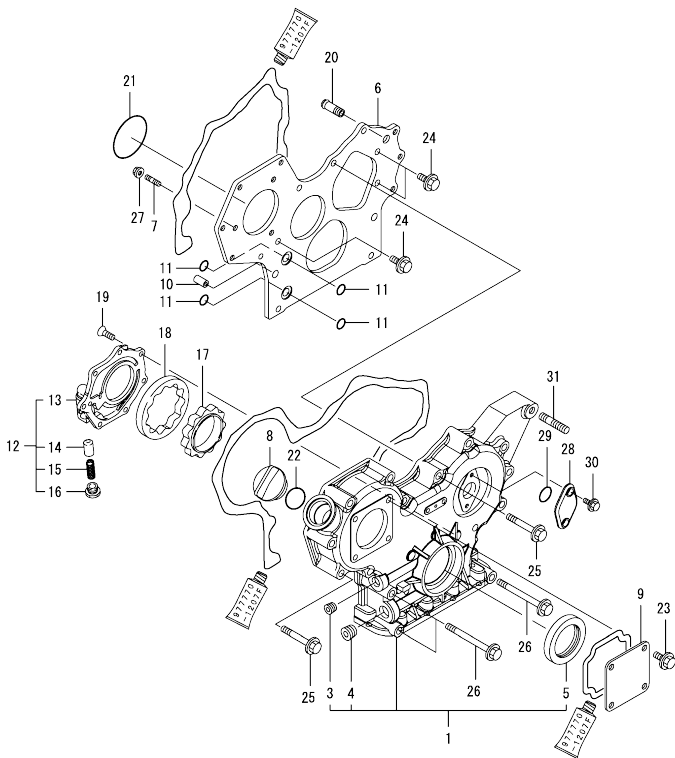
(D)=
(E)=
(F)=

No.	Lev.	Parts No.	Description	Q'ty						I	R
				(A)	(B)	(C)	(D)	(E)	(F)		
1	1	729006-01560	BLOCK ASSY, CYLINDER	1							
4	2	124060-01050	PLUG, PT1/8	1							
5	2	129001-01250	PLUG, 50	1							
6	2	124160-01910	PLUG, PT1/4	2							
7	2	124160-01910	PLUG, PT1/4	1							
8	2	171051-01921	PLUG, NPTF1	1							
9	2	129150-02020	BOLT, METAL CAP	8							
12	2	129795-02412	BUSH, CAMSHAFT	1							
13	2	27241-120000	PLUG, 12	2							
14	2	27241-300000	PLUG 30	6							
24	2	129150-02931	BEARING, THRUST	2							
27	1	129004-01190	SPACER	1							
28	1	129150-01200	BOLT, HEAD	14							
29	1	129002-01331	GASKET, HEAD	1							
30	1	129001-02931	BEARING, MAIN	4							1
33	1	129150-02871	BEARING, 0.25 US	4							2
36	1	129150-02941	BEARING, THRUST 0.25	1							3

Remarks

- (1) REPAIR PART.
- (2) UNDER-SIZED(U.S=0.25)PART.
- (3) OVER-SIZED(O.S=0.25)PART.

Fig.2. GEAR HOUSING

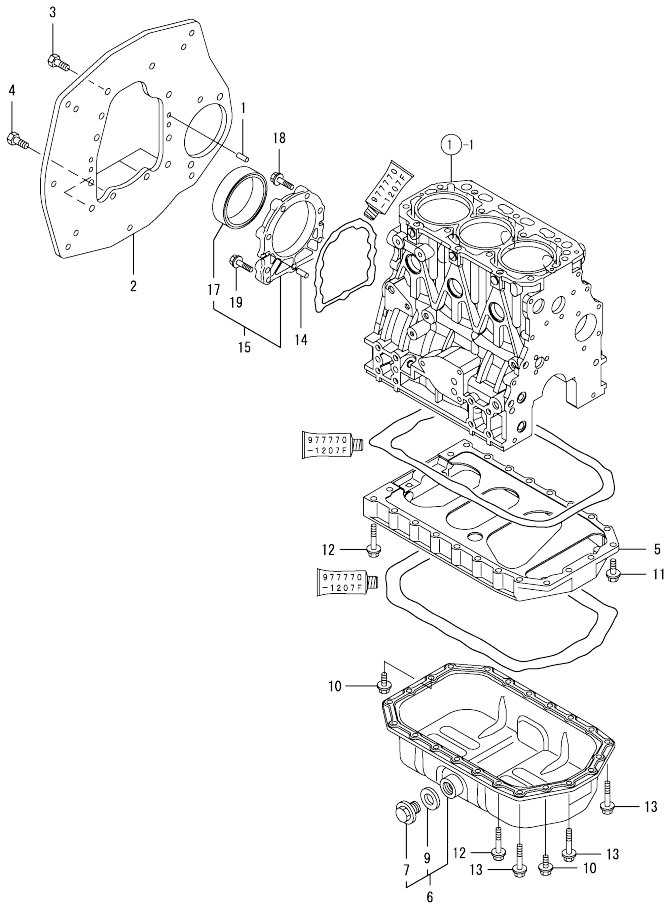


(A)=3TNV84T-XKMR
(B)=
(C)=

(D)=
(E)=
(F)=

No.	Lev.	Parts No.	Description	Qty						I	R	
				(A)	(B)	(C)	(D)	(E)	(F)			
1	1	719802-01500	CASE ASSY, GEAR	1								
3	2	23876-030000	PLUG, R03	1								
4	2	23876-040000	PLUG, R04	1								
5	2	119934-01800	SEAL, OIL	1								
6	1	129006-01520	FLANGE, GEAR CASE	1								
7	1	119802-01561	STUD, M8X25	3								
8	1	124160-01751	COVER, FILLER	1								
9	1	124240-01871	COVER	1								
10	1	129795-01950	PIPE, KNOCK L=18	2								
11	1	119609-32040	O-RING, P16	4								
12	1	119802-32100	COVER ASSY	1								
13	2	119802-32070	COVER	1								
14	2	129900-32130	VALVE, RELIEF	1								
15	2	129418-32320	SPRING	1								
16	2	129001-32330	PLUG	1								
17	1	119802-32111	ROTOR, INNER	1								
18	1	119802-32120	ROTOR, OUTER	1								
19	1	119802-32130	SCREW, M6X16	7								
20	1	129122-44480	JOINT	1								
21	1	121850-51960	O-RING	1								
22	1	24311-000320	O-RING, 1AP32.0	1								
23	1	26106-080162	BOLT, M8X 16 PLATED	4								
24	1	26106-080162	BOLT, M8X 16 PLATED	3								
25	1	26106-080552	BOLT, M8X 55 PLATED	12								
26	1	26106-080852	BOLT, M8X 85 PLATED	3								
27	1	26306-080002	NUT, M8	3								
28	1	121023-01551	COVER	1								
29	1	24341-000240	O-RING, 1AS24.0	1								
30	1	26106-060162	BOLT, M6X 16 PLATED	2								
31	1	129795-01900	STUD	1								

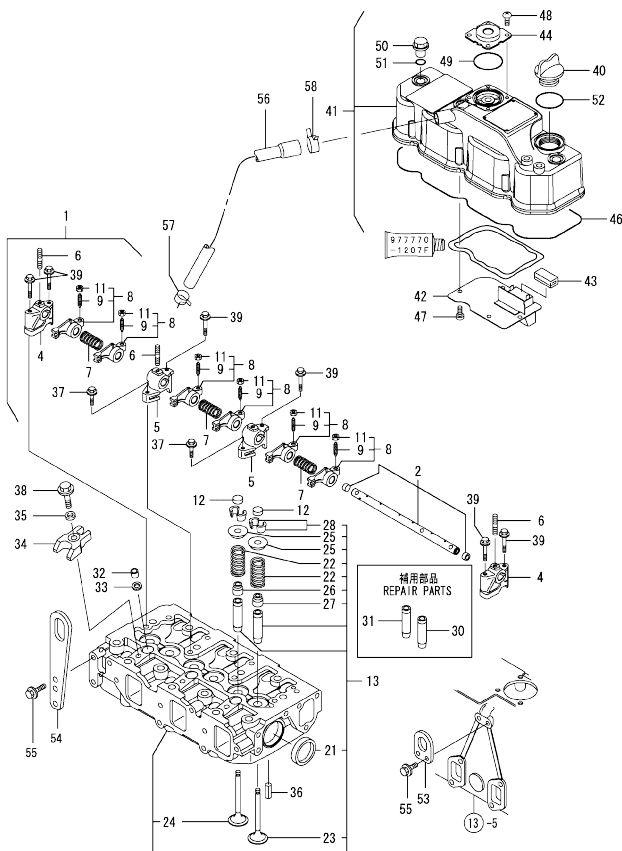
Fig.3. MOUNTING FLANGE & OIL SUMP



No.	Lev.	Parts No.	Description	Q'ty						I	R
				(A)	(B)	(C)	(D)	(E)	(F)		
1	1	129100-01580	PIN, M8X16		2						
2	1	129176-01601	FLANGE, MOUNTING		1						
3	1	26206-100202	BOLT, M10X 20 PLATED		6						
4	1	26206-100252	BOLT, M10X 25 PLATED		4						
5	1	129100-01730	SPACER, OIL SUMP		1						
6	1	129175-01770	SUMP ASSY, OIL		1						
7	2	119640-01640	PLUG, DRAIN M22		1						
9	2	22190-220002	WASHER, SEAL 22		1						
10	1	26106-080162	BOLT, M8X 16 PLATED		4						
11	1	26106-080252	BOLT, M8X 25 PLATED		2						
12	1	26106-080452	BOLT, M8X 45 PLATED		16						
13	1	26106-080502	BOLT, M8X 50 PLATED		4						
14	1	129100-01580	PIN, M8X16		2						
15	1	129100-01640	CASE ASSY, OIL SEAL		1						
17	2	129795-01780	SEAL, OIL		1						
18	1	129486-01670	BOLT, M8X30		6						
19	1	26106-080352	BOLT, M8X 35 PLATED		3						

N:Old $\frac{New}{Old}$ New, Q:Old $\frac{New}{Old}$ New, R:Old $\frac{New}{Old}$ New, S:Old $\frac{New}{Old}$ New, W:Add, Z:Discontinued, F:Interchangeable by set, K:Qty Change
 Copyright (C) YANMAR CO., LTD. All Rights Reserved.

Fig.4. CYLINDER HEAD & BONNET



(A)=3TNV84T-XKMR
(B)=
(C)=

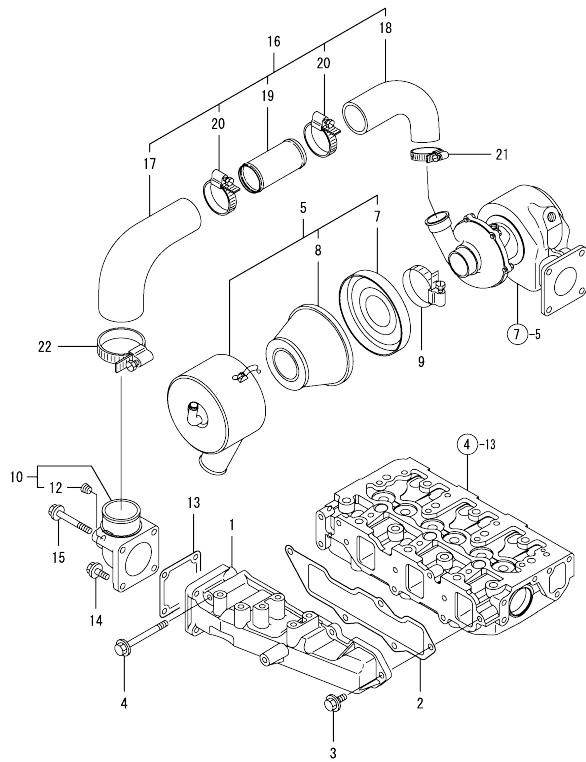
(D)=
(E)=
(F)=

No.	Lev.	Parts No.	Description	Q'ty						I	R
				(A)	(B)	(C)	(D)	(E)	(F)		
1	1	129004-11241	SHAFT ASSY, ROCKER	1							
2	2	129004-11251	SHAFT, ROCKER ARM	1							
4	2	119802-11260	SUPPORT, ROCKER ARM	2							
5	2	119802-11270	SUPPORT, ROCKER ARM	2							
6	2	119802-11280	STUD	3							
7	2	129150-11280	SPRING	3							
8	2	129004-11650	ARM, ROCKER	6							
9	3	129150-11230	SCREW, VALVE ADJUST	6							
11	3	129150-11750	NUT, M8	6							
12	1	129150-11370	CAP, VALVE	6							
13	1	129009-11710	HEAD ASSY, CYLINDER	1							
21	2	27241-400000	PLUG, 40	2							
22	2	129795-11120	SPRING, VALVE	6							
23	2	129004-11130	VALVE, INTAKE	3							
24	2	129100-11130	VALVE, EXHAUST	3							
25	2	129795-11180	RETAINER, SPRING	6							
26	2	121400-11340	SEAL, VALVE STEM	3							
27	2	124460-11340	SEAL, VALVE STEM	3							
28	2	27310-080001	COTTER, 8	6							
30	1	120130-11860	GUIDE, VALVE	3							1
31	1	129150-11810	GUIDE, VALVE	3							1
32	1	119802-11870	PROTECTOR, NOZZLE	3							
33	1	119625-11880	SEAT, NOZZLE	3							
34	1	129004-11900	RETAINER, NOZZLE	3							
35	1	120270-54410	WASHER, INJECTOR	3							
36	1	22351-060012	PIN, SPRING 6.0X12	2							
37	1	26106-080252	BOLT, M8X 25 PLATED	2							
38	1	26106-080352	BOLT, M8X 35 PLATED	3							
39	1	26106-080502	BOLT, M8X 50 PLATED	6							
40	1	124160-01751	COVER, FILLER	1							
41	1	129006-11350	BONNET ASSY, HEAD	1							
42	2	129004-03010	PLATE	1							
43	2	129150-03070	BAFFLE, BREATHER	1							
44	2	129006-03120	COVER, DIAPHRAGM	1							
46	2	129004-11310	GASKET, BONNET	1							
47	2	22857-500100	SCREW, 5X10	4							
48	2	22857-500100	SCREW, 5X10	4							
49	2	24341-000400	O-RING, 1AS40.0	1							
50	1	124160-11360	KNOB	3							
51	1	24311-000120	O-RING, 1AP12.0	3							
52	1	24311-000320	O-RING, 1AP32.0	1							
53	1	129470-07230	LIFTER	1							
54	1	129900-07900	LIFTER	1							
55	1	26106-080162	BOLT, M8X 16 PLATED	4							
56	1	129171-03090	PIPE, BREATHER	1							
57	1	129301-03660	CLAMP 16	1							
58	1	129960-03990	CLIP, HOSE 22	1							

Remarks
(1) REPAIR PART.

N:Old $\frac{100}{100}$ New, Q:Old $\frac{100}{100}$ New, R:Old $\frac{100}{100}$ New, S:Old $\frac{100}{100}$ New, W:Add, Z:Discontinued, F:Interchangeable by set, K:Q'ty Change
Copyright (C) YANMAR CO., LTD. All Rights Reserved.

Fig.5. SUCTION MANIFOLD

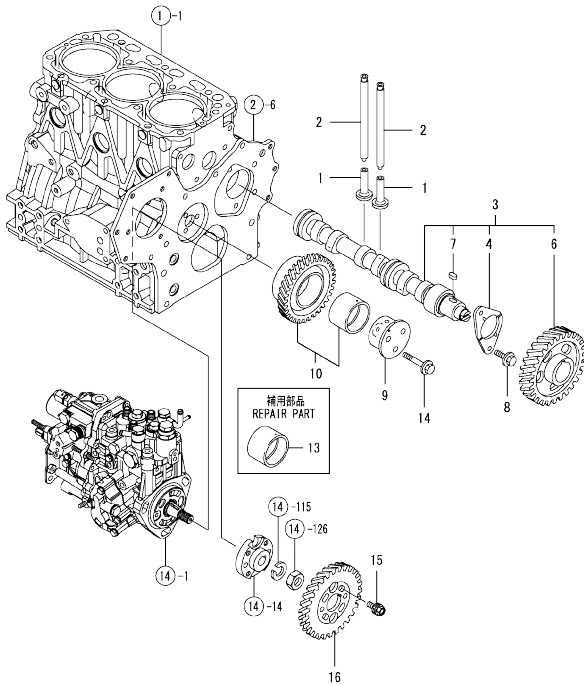


(A)=3TNV84T-XKMR
(B)=
(C)=

(D)=
(E)=
(F)=

No.	Lev.	Parts No.	Description	Q'ty						I	R
				(A)	(B)	(C)	(D)	(E)	(F)		
1	1	129006-12101	MANIFOLD, AIR INTAKE	1							
2	1	129001-12110	GASKET, MANIFOLD	1							
3	1	26106-080202	BOLT, M8X 20 PLATED	4							
4	1	26106-080802	BOLT, M8X 80 PLATED	1							
5	1	129477-12500	SILENCER ASSY	1							
7	2	129477-12530	PLATE	1							
8	2	124770-12540	ELEMENT	1							
9	1	23000-048000	CLAMP, 48	1							
10	1	129649-12210	JOINT ASSY	1							
12	2	23876-010000	PLUG, R01	1							
13	1	129150-77511	GASKET	1							
14	1	26106-080202	BOLT, M8X 20 PLATED	2							
15	1	26106-080652	BOLT, M8X 65 PLATED	2							
16	1	129046-12851	HOSE ASSY, INTAKE	1							
17	2	129649-12811	PIPE, AIR INTAKE	1							
18	2	129649-12821	PIPE, AIR INTAKE	1							
19	2	129649-12832	JOINT	1							
20	2	23000-054000	CLAMP, 54	2							
21	1	23000-048000	CLAMP, 48	1							
22	1	23000-060000	CLAMP, 60	1							

Fig.6. CAMSHAFT & DRIVING GEAR



(A)=3TNV84T-XKMR
(B)=
(C)=

(D)=
(E)=
(F)=

No.	Lev.	Parts No.	Description	Q'ty						I	R
				(A)	(B)	(C)	(D)	(E)	(F)		
1	1	129150-14200	TAPPET	6							
2	1	129150-14400	ROD, PUSH L=178	6							
3	1	129004-14580	CAMSHAFT ASSY	1							
4	2	129150-02450	BEARING, THRUST	1							
6	2	129150-14101	GEAR, CAMSHAFT	1							
7	2	22512-070140	KEY, 7X 14	1							
8	1	26106-080142	BOLT, M8X 14 PLATED	2							
9	1	119802-25051	SHAFT, IDLE	1							
10	1	119802-25101	GEAR ASSY, IDLE	1							
13	1	119802-25071	BUSH, IDLE GEAR	1							1
14	1	26106-080402	BOLT, M8X 40 PLATED	3							
15	1	129150-25301	BOLT	4							
16	1	119802-25901	GEAR, PUMP	1							

Remarks
(1) REPAIR PART.

N:Old $\frac{100}{100}$ New, Q:Old $\frac{100}{100}$ New, R:Old $\frac{100}{100}$ New, S:Old $\frac{100}{100}$ New, W:Add, Z:Discontinued, F:Interchangeable by set, K:Qty Change
Copyright (C) YANMAR CO., LTD. All Rights Reserved.

Fig.7. TURBINE

(A)=3TNV84T-XKMR
(B)=
(C)=

(D)=
(E)=
(F)=

No.	Lev.	Parts No.	Description	Q'ty					
				(A)	(B)	(C)	(D)	(E)	(F)
1	1	129472-13520	GASKET	1					
2	1	129579-13551	ELBOW	1					
3	1	26703-080002	NUT, M8	4					
4	1	128170-13600	STUD, M8X31	3					
5	1	129046-18020	TURBINE, RHF4	1					
6	1	129792-18091	GASKET	1					
7	1	104407-44480	JOINT	1					
8	1	129670-49290	COCK ASSY, R1/8	1					
11	1	171007-49400	JOINT	1					
12	1	26703-080002	NUT, M8	4					

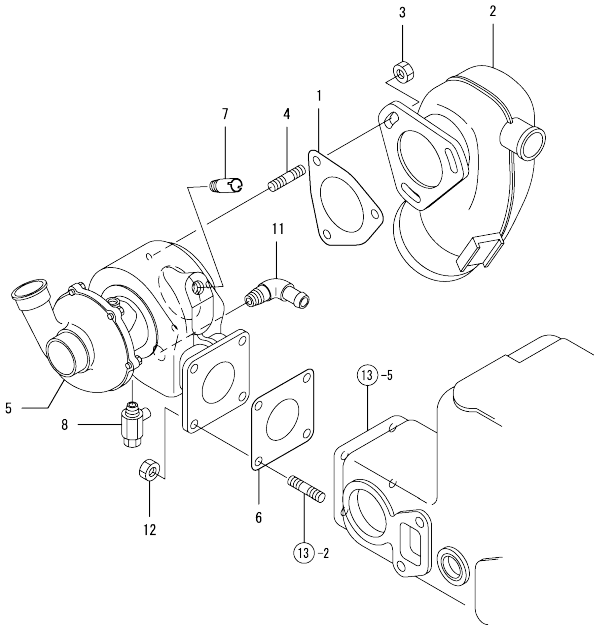
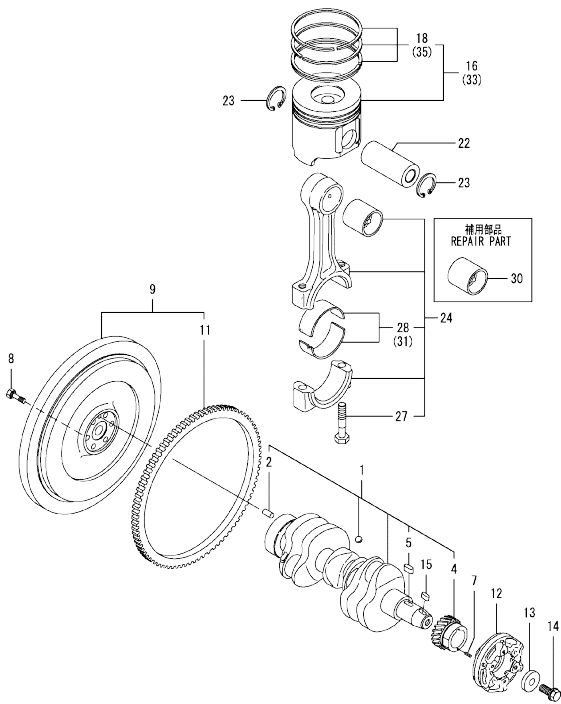


Fig.8. CRANKSHAFT & PISTON

(A)=3TNV84T-XKMR
(B)=
(C)=

(D)=
(E)=
(F)=

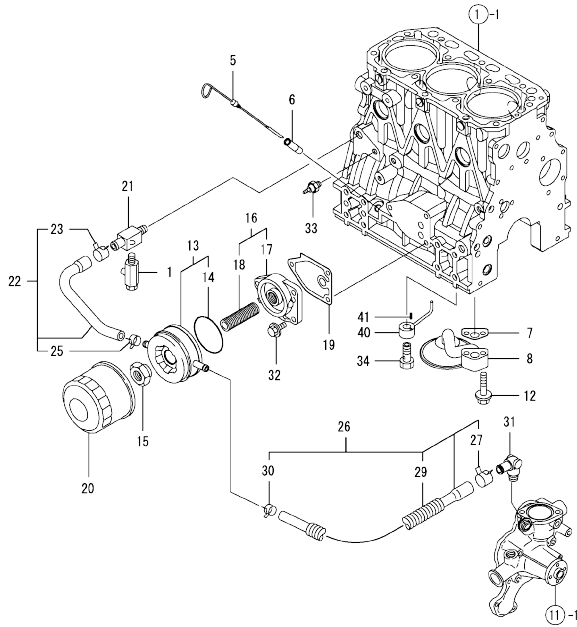


No.	Lev.	Parts No.	Description	Q'ty						I	R
				(A)	(B)	(C)	(D)	(E)	(F)		
1	1	129004-21002	CRANKSHAFT ASSY	1							
2	2	129100-01580	PIN, M8X16	1							
4	2	119802-21202	GEAR, CRANKSHAFT	1							
5	2	22512-070140	KEY, 7X 14	1							
7	1	22351-030010	PIN, SPRING 3.0X10	1							
8	1	121111-21501	BOLT, FLYWHEEL	6							
9	1	129189-21570	FLYWHEEL ASSY	1							
11	2	124550-21600	GEAR, RING	1							
12	1	129175-21650	V-PULLEY	1							
13	1	129795-21661	WASHER	1							
14	1	121850-21680	BOLT	1							
15	1	22512-070160	KEY, 7X 16	1							
16	1	129007-22080	PISTON ASSY	3							
18	2	129007-22500	RING SET, PISTON	3							
22	1	129202-22300	PIN, PISTON D26 L70	3							
23	1	22252-000260	RING, 26	6							
24	1	729402-23100	ROD ASSY, CONNECTING	3							
27	2	121550-23200	BOLT, CONNECTING ROD	6							
28	2	129150-23601	BEARING, CRANK PIN	3							
30	1	129100-23910	BEARING, PISTON PIN	3							1
31	1	129150-23611	BEARING, 0.25 US	3							2
33	1	129007-22900	PISTON ASSY, 0.25 OS	3							3
35	2	129007-22950	RING SET, 0.25 OS	3							3

Remarks
(1) REPAIR PART.
(2) UNDER-SIZED(U.S=0.25)PART.
(3) OVER-SIZED(O.S=0.25)PART.

OCW10-M51500 3TNV84T-XKMR
 Fig.9. LUB.OIL SYSTEM

OCW10-M51500 Fig.9



(A)=3TNV84T-XKMR
 (B)=
 (C)=

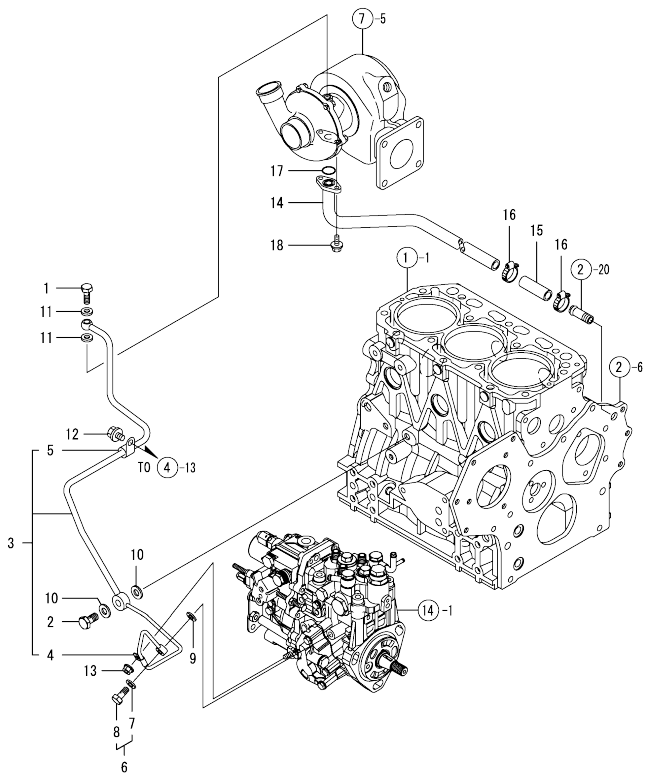
(D)=
 (E)=
 (F)=

No.	Lev.	Parts No.	Description	Q'ty						I	R
				(A)	(B)	(C)	(D)	(E)	(F)		
1	1	119620-49290	COCK ASSY, 1/4	1							
5	1	171420-34800	DIPSTICK, OIL	1							
6	1	121520-34810	GUIDE, DIPSTICK	1							
7	1	129150-35042	GASKET	1							
8	1	129150-35091	PIPE ASSY, OIL INLET	1							
12	1	26106-080352	BOLT, M8X 35 PLATED	2							
13	1	129508-33010	COOLER ASSY, OIL	1							
14	2	129508-33050	O-RING	1							
15	1	129417-33110	NUT	1							
16	1	129006-35100	BRACKET ASSY, FILTER	1							
17	2	119802-35110	BRACKET, FILTER	1							
18	2	129417-35150	STUD, L=67	1							
19	1	129150-35111	GASKET	1							
20	1	129150-35170	FILTER,LO	1							1
21	1	129006-44480	JOINT	1							
22	1	129508-49030	PIPE ASSY, WATER	1							
23	2	171008-03990	CLIP, HOSE 18.5	1							
25	2	23080-015000	CLAMP, 15	1							
26	1	129006-49040	PIPE ASSY, WATER	1							
27	2	171008-03990	CLIP, HOSE 18.5	1							
29	2	129642-49180	TUBE, CORRUGATED	1							
30	2	23080-015000	CLAMP, 15	1							
31	1	129466-49300	ELBOW, PT3/8	1							
32	1	26106-080202	BOLT, M8X 20 PLATED	3							
33	1	114250-39450	SWITCH, 0.5KG	1							
34	1	129792-39410	VALVE ASSY, CHECK	3							
40	1	129553-39650	NOZZLE	3							
41	1	22351-030010	PIN, SPRING 3.0X10	3							

Remarks
 (1) REPAIR PART.

N:Old $\frac{100}{100}$ New, Q:Old $\frac{100}{100}$ New, R:Old $\frac{100}{100}$ New, S:Old $\frac{100}{100}$ New, W:Add, Z:Discontinued, F:Interchangeable by set, K:Q'ty Change
 Copyright (C) YANMAR CO., LTD. All Rights Reserved.

Fig.10. LUB.OIL LINE

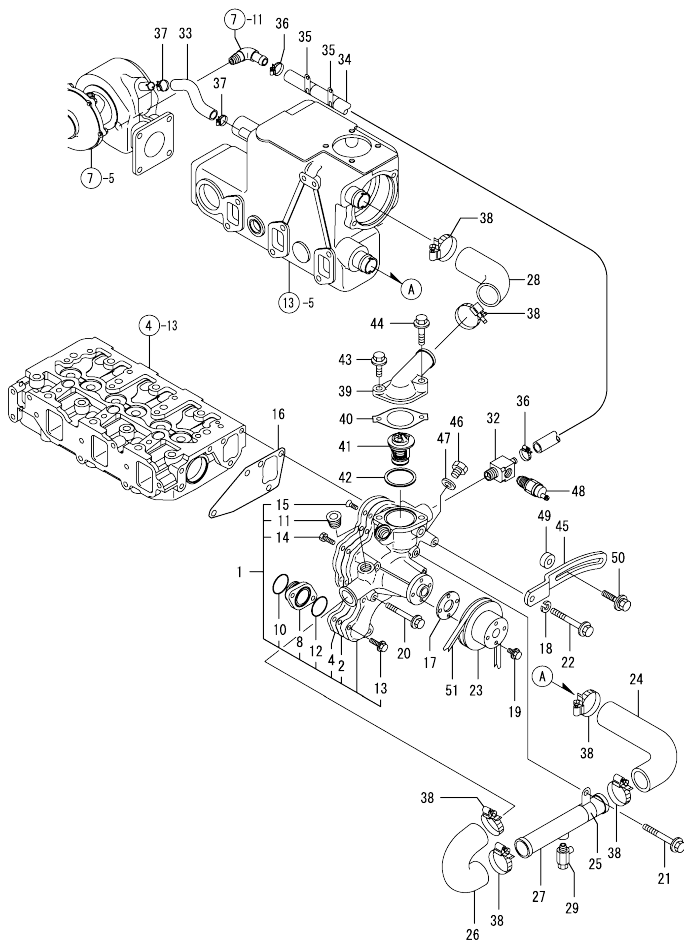


(A)=3TNV84T-XKMR
(B)=
(C)=

(D)=
(E)=
(F)=

No.	Lev.	Parts No.	Description	Q'ty						I	R
				(A)	(B)	(C)	(D)	(E)	(F)		
1	1	105010-39140	BOLT, PIPE JOINT	1							
2	1	124160-39140	BOLT, PIPE JOINT M10	1							
3	1	129046-39450	PIPE ASSY, OIL	1							
4	2	119802-39500	RETAINER, PIPE	1							
5	2	124223-39900	RETAINER	1							
6	1	129005-59830	BOLT ASSY, JOINT M8	1							
7	2	22190-080002	WASHER, SEAL 6	1							
8	2	23857-030000	BOLT, JOINT 3	1							
9	1	22190-080002	WASHER, SEAL 6	1							
10	1	22190-100002	WASHER, SEAL 10	2							
11	1	23414-080000	GASKET, 8X1.0	2							
12	1	26106-080122	BOLT, M8X 12 PLATED	1							
13	1	26366-060002	NUT, M6	1							
14	1	129176-39610	PIPE, OIL	1							
15	1	129403-39610	JOINT, RUBBER	1							
16	1	23000-022000	CLAMP, 22	2							
17	1	24316-000160	O-RING, 4DP16.0	1							
18	1	26106-060162	BOLT, M6X 16 PLATED	2							

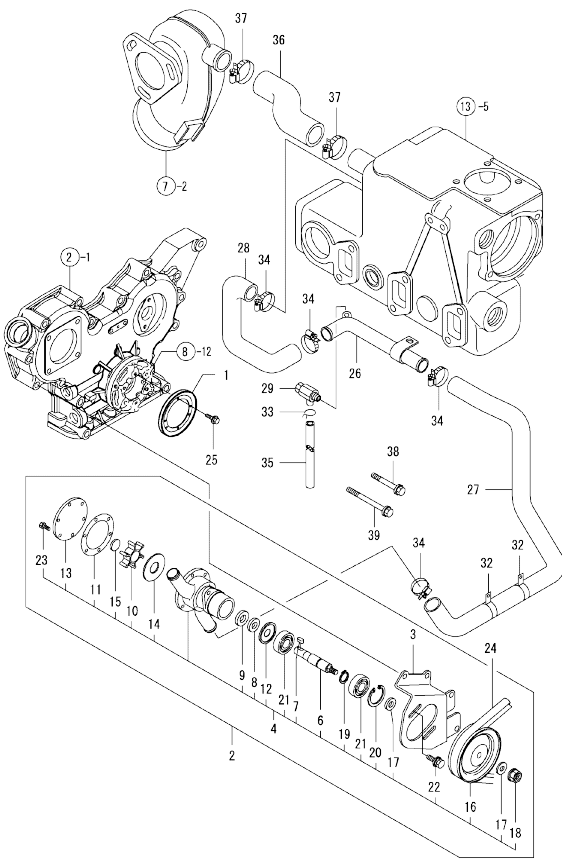
Fig.11. COOLING FRESH WATER SYSTEM



No.	Lev.	Parts No.	Description	Q'ty						I	R
				(A)	(B)	(C)	(D)	(E)	(F)		
1	1	129647-42000	PUMP ASSY, WATER	1							
2	2	129150-42059	GASKET	1							
4	2	129263-42120	PLATE	1							
8	2	129150-42301	FLANGE	1							
10	2	129054-42320	O-RING	1							
11	2	129916-49740	PLUG, R03	2							
12	2	24358-240310	O-RING, 524031	1							
13	2	26106-060202	BOLT, M6X 20 PLATED	2							
14	2	26116-060162	BOLT, M6X 16 PLATED	3							
15	2	26577-060162	SCREW, M6X16	3							
16	1	129486-42050	GASKET, WATER PUMP	1							
17	1	129156-44760	WASHER	1							
18	1	22217-080000	WASHER, SPRING 8	1							
19	1	26106-060102	BOLT, M6X 10 PLATED	4							
20	1	26106-060552	BOLT, M6X 55 PLATED	2							
21	1	26106-060552	BOLT, M6X 55 PLATED	1							
22	1	26106-060652	BOLT, M6X 65 PLATED	1							
23	1	129550-42350	V-PULLEY, D=120	1							
24	1	129470-49200	JOINT, RUBBER	1							
25	1	129470-49220	RETAINER	1							
26	1	129470-49240	JOINT, RUBBER 28	1							
27	1	129470-49250	PIPE, WATER	1							
28	1	129170-49260	JOINT	1							
29	1	129670-49290	COCK ASSY, R1/8	1							
32	1	129473-49310	JOINT, PT3/8-8	1							
33	1	129579-49320	HOSE, RUBBER	1							
34	1	129171-49561	PIPE, WATER	1							
35	1	194440-51620	CLAMP	2							
36	1	23000-013000	CLAMP, 13	2							
37	1	23000-025000	CLAMP, 25	2							
38	1	23000-041000	CLAMP, 41	6							
39	1	129470-49540	COVER, THERMOSTAT	1							
40	1	129795-49551	GASKET	1							
41	1	129457-49801	THERMOSTAT, 82	1							
42	1	129470-49810	GASKET, THERMOSTAT	1							
43	1	26106-080252	BOLT, M8X 25 PLATED	1							
44	1	26106-080352	BOLT, M8X 35 PLATED	1							
45	1	129410-77330	ADJUSTER	1							
46	1	121450-42450	PLUG, M16	1							
47	1	124465-44950	GASKET, 16	1							
48	1	127610-91350	SWITCH, 95	1							
49	1	119940-77270	SPACER, GENERATOR	1							
50	1	119802-77340	BOLT, ADJUSTER	1							
51	1	25132-004400	V-BELT, A44	1							

N:Old $\frac{100}{100}$ New, Q:Old $\frac{100}{100}$ New, R:Old $\frac{100}{100}$ New, S:Old $\frac{100}{100}$ New, W:Add, Z:Discontinued, F:Interchangeable by set, K:Q'ty Change
 Copyright (C) YANMAR CO., LTD. All Rights Reserved.

Fig.12. COOLING SEA WATER SYSTEM



(A)=3TNV84T-XKMR
(B)=
(C)=

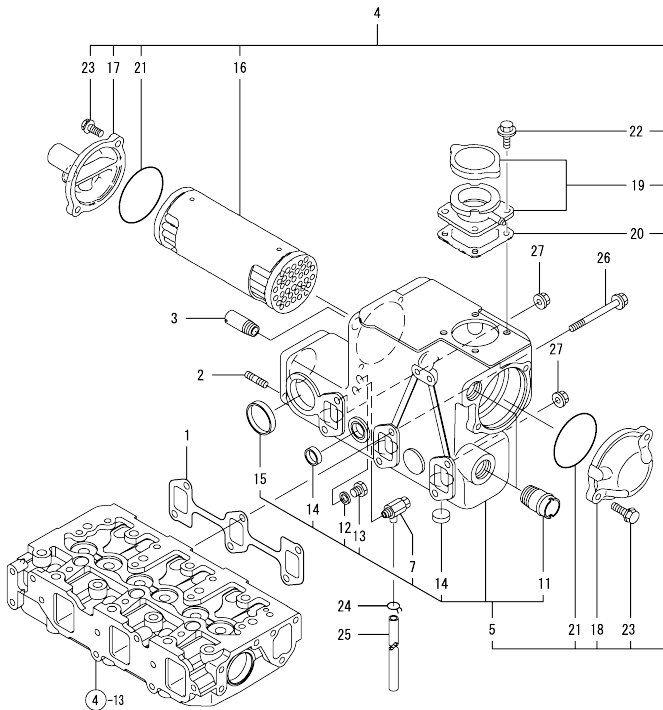
(D)=
(E)=
(F)=

No.	Lev.	Parts No.	Description	Qty						I	R
				(A)	(B)	(C)	(D)	(E)	(F)		
1	1	104407-21600	V-PULLEY	1							
2	1	129647-42500	PUMP ASSY, WATER	1							Z
(A=2009.04)											
3	2	129647-42150	BRACKET, PUMP	1							
4	2	129579-42502	PUMP ASSY, WATER	1							
6	3	121575-42021	SHAFT, IMPELLER	1							
7	3	124223-42040	KEY	1							
8	3	124223-42070	PIECE	1							
9	3	124223-42080	SEAL, TC13X28X7	1							
10	3	124223-42092	IMPELLER	1							
11	3	124223-42110	GASKET, WATER PUMP	1							
12	3	121575-42120	COVER, BEARING	1							
13	3	121575-42150	COVER	1							
14	3	129579-42160	PLATE	1							
15	3	129579-42190	COVER	1							
16	3	124070-42400	V-PULLEY	1							
17	3	124070-42420	WASHER	2							
18	3	129579-42590	NUT, M8	1							
19	3	22242-000150	RING, 15	1							
20	3	22252-000350	RING, 35	1							
21	3	24107-062024	BEARING, BALL 6202ZZ	2							
22	3	26014-080162	BOLT, M8X 16	2							
23	3	26113-040088	BOLT, M4X 8	6							
24	1	104214-42780	V-BELT, HM30	1							1
25	1	26106-060082	BOLT, M6X 8 PLATED	4							
26	1	129080-49010	PIPE, WATER	1							1
27	1	171487-49010	PIPE, WATER	1							1
28	1	129475-49020	PIPE, WATER	1							1
29	1	129670-49290	COCK ASSY, R1/8	1							1
32	1	129579-49460	RETAINER, D32	2							1
33	1	124460-77680	RETAINER	1							1
34	1	23000-035000	CLAMP, 35	4							1
35	1	23061-070300	PIPE, 7X 300	1							1
36	1	129472-49040	PIPE, WATER	1							
37	1	23000-035000	CLAMP, 35	2							
38	1	26106-080602	BOLT, M8X 60 PLATED	2							W 1
(A=2009.04)											
39	1	26106-080902	BOLT, M8X 90 PLATED	2							W 1
(A=2009.04)											

Remarks
LOOSE PART

N:Old $\frac{100}{100}$ New, Q:Old $\frac{100}{100}$ New, R:Old $\frac{100}{100}$ New, S:Old $\frac{100}{100}$ New, W:Add, Z:Discontinued, F:Interchangeable by set, K:Qty Change
Copyright (C) YANMAR CO., LTD. All Rights Reserved.

Fig.13. COOLING FRESH WATER COOLER

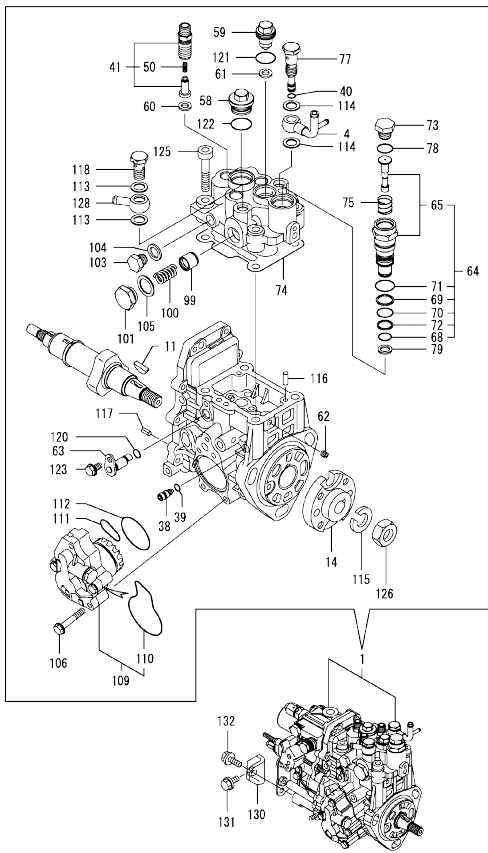


(A)=3TNV84T-XKMR
(B)=
(C)=

(D)=
(E)=
(F)=

No.	Lev.	Parts No.	Description	Q'ty						I	R
				(A)	(B)	(C)	(D)	(E)	(F)		
1	1	129150-13110	GASKET	1							
2	1	128170-13600	STUD, M8X31	4							
3	1	104407-44480	JOINT	1							
4	1	129176-44900	COOLER ASSY, WATER	1							
5	2	129176-44000	COOLER ASSY, WATER	1							
7	3	119620-49290	COCK ASSY, 1/4	1							
11	3	124160-49480	JOINT, PIPE	2							
12	3	23414-170000	GASKET, 17X1.0	1							
13	3	23894-030002	PLUG, G3/8	1							
14	3	27241-280000	PLUG, 28	7							
15	3	27241-400000	PLUG, 40	1							
16	2	129170-44110	CORE ASSY, COOLER	1							
17	2	129470-44440	COVER, A	1							
18	2	129470-44450	COVER, B	1							
19	2	129171-44600	FILLER ASSY	1							
20	2	120445-44640	GASKET	1							
21	2	24321-000750	O-RING, 1AG75.0	2							
22	2	26106-080162	BOLT, M8X 16 PLATED	4							
23	2	26106-080252	BOLT, M8X 25 PLATED	4							
24	1	124460-77680	RETAINER	1							
25	1	23061-070300	PIPE, 7X 300	1							
26	1	26106-081002	BOLT, M8X100 PLATED	4							
27	1	26306-080002	NUT, M8	2							

Fig.14. FUEL INJECTION PUMP

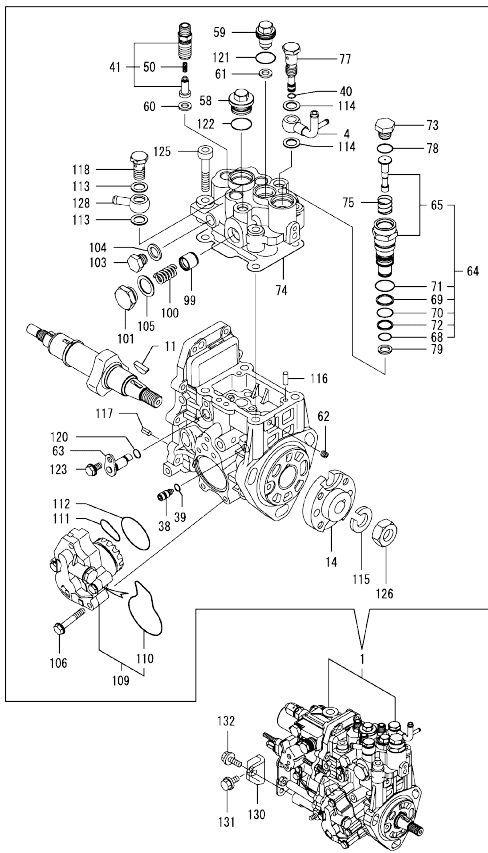


Remarks
 (1) GOVERNOR ASSY(FIG.15) IS
 INCORPORATED IN THIS FUEL
 INJECTION PUMP.(REF.NO.1).

No.	Lev.	Parts No.	Description	Q'ty						I	R
				(A)	(B)	(C)	(D)	(E)	(F)		
1	1	729046-51300	PUMP ASSY, INJECTION	1							1
4	2	158552-51670	JOINT, OVER FLOW	1							
11	2	119802-51090	KEY, 4X16	1							
14	2	158552-51151	FLANGE	1							
38	2	158600-51270	STOPPER, TAPPET	1							
39	2	158563-51281	O-RING, 4D S6	1							
40	2	158563-51281	O-RING, 4D S6	1							
41	2	129509-51390	VALVE ASSY, DELIVERY	3							
50	3	158563-51330	SPRING, DELIVERY	3							
58	2	158601-51550	PLUG	1							
59	2	119802-51560	PLUG, BARREL	1							
60	2	158552-51571	GASKET	3							
61	2	158552-51571	GASKET	1							
62	2	158557-51570	PLUG	1							
63	2	158552-51580	LIFTER	1							
64	2	119802-51590	TIMER SET	1							
65	3	119802-51600	TIMER ASSY	1							
68	3	158553-51670	O-RING, 1011	1							
69	3	119802-51680	RING, BACK UP	1							
70	3	119802-51690	O-RING	1							
71	3	24356-010200	O-RING, 4D1020	1							
72	3	24372-000150	RING, BACK UP T2P15	1							
73	2	129670-51600	PLUG	1							
74	2	158552-51600	GASKET	1							
75	2	158553-51630	SPRING, TIMER	1							
77	2	158601-51650	JOINT, OVER FLOW	1							
78	2	158553-51660	O-RING, P14	1							
79	2	158553-51680	GASKET	1							
99	2	158601-51770	PISTON	1							
100	2	158552-51781	SPRING	1							
101	2	158601-51790	PLUG	1							
103	2	158553-51930	PLUG, M12	1							
104	2	22190-120002	WASHER, SEAL 12	1							
105	2	22190-180002	WASHER, SEAL 18	1							
106	2	158553-51770	BOLT	4							
109	2	158552-52100	PUMP ASSY, FUEL FEED	1							
110	3	158552-52500	O-RING	1							
111	2	158552-52310	O-RING	1							
112	2	158552-52400	O-RING, 4E S42	1							
113	2	22190-120002	WASHER, SEAL 12	2							
114	2	22190-120002	WASHER, SEAL 12	2							
115	2	22217-140000	WASHER, SPRING 14	1							
116	2	22312-050140	PIN, PARALLEL M5X14	2							
117	2	22351-050010	PIN, SPRING 5.0X10	2							
118	2	23857-060000	BOLT, JOINT 6	1							
120	2	24311-000070	O-RING, 1AP7.0	1							
121	2	24356-010180	O-RING, 4D1018	1							
122	2	24356-010200	O-RING, 4D1020	1							
123	2	26106-060102	BOLT, M6X 10 PLATED	1							
125	2	26450-080452	BOLT, M8X 45	4							
126	2	26776-140002	NUT, LOCK M14	1							

N:Old *^{REV}/_{REV} New. Q:Old *^{REV}/_{REV} New. R:Old *^{REV}/_{REV} New. S:Old *^{REV}/_{REV} New. W:Add. Z:Discontinued. F:Interchangeable by set. K:Q'ty Change
 ++ CONTINUE ++
 Copyright (C) YANMAR CO., LTD. All Rights Reserved.

Fig.14. FUEL INJECTION PUMP



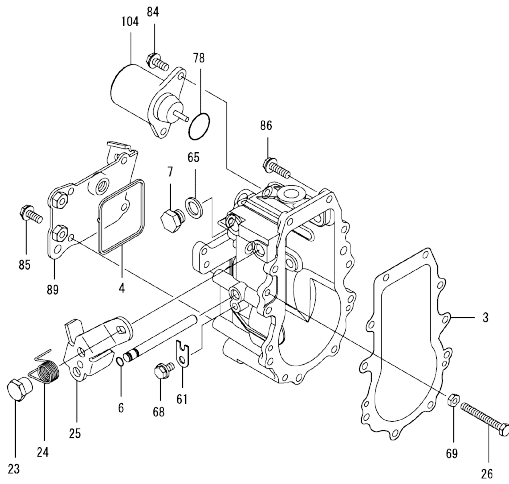
(A)=3TNV84T-XKMR
(B)=
(C)=

(D)=
(E)=
(F)=

No.	Lev.	Parts No.	Description	Q'ty						I	R
				(A)	(B)	(C)	(D)	(E)	(F)		
128	2	129916-59020	JOINT, PIPE 12	1							
130	1	119802-51250	RETAINER, PUMP	1							
131	1	26106-080162	BOLT, M8X 16 PLATED	1							
132	1	26106-080202	BOLT, M8X 20 PLATED	1							

Remarks
(1) GOVERNOR ASSY(FIG.15) IS
INCORPORATED IN THIS FUEL
INJECTION PUMP.(REF.NO.1).

Fig.15. GOVERNOR



(A)=3TNV84T-XKMR
(B)=
(C)=

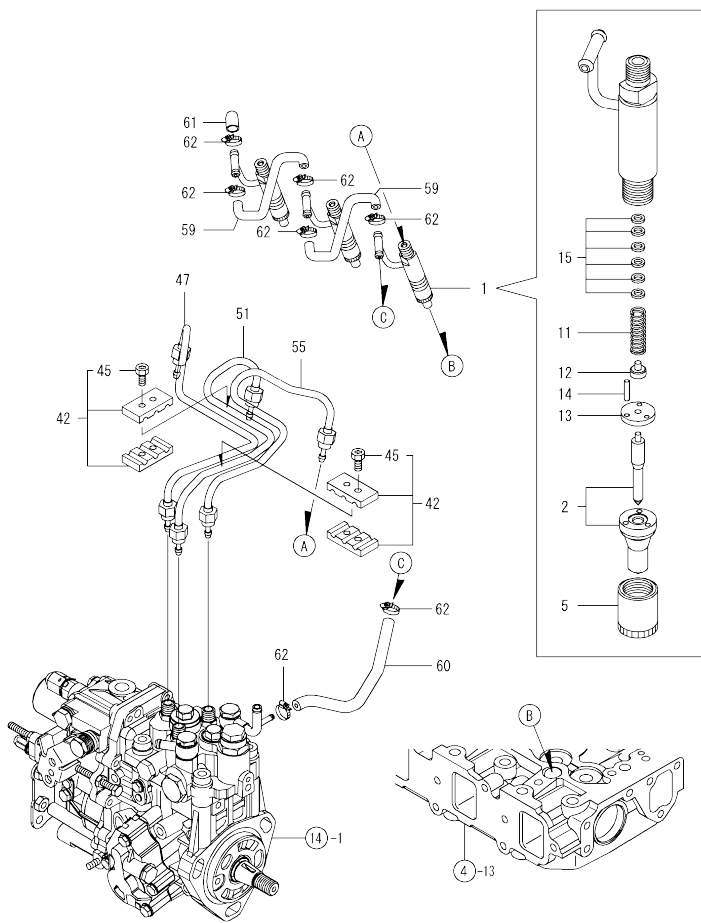
(D)=
(E)=
(F)=

No.	Lev.	Parts No.	Description	Q'ty					
				(A)	(B)	(C)	(D)	(E)	(F)
3	2	158553-61050	GASKET	1					
4	2	158553-61070	GASKET	1					
6	2	129155-51280	O-RING, S6	1					
7	2	158553-51930	PLUG, M12	1					
23	2	129255-61410	NUT, LOCK	1					
24	2	119807-61420	SPRING, RETURN	1					
25	2	129246-61441	LEVER, REGULATOR	1					
26	2	129155-61460	BOLT, IDLE	1					
61	2	119660-61901	RETAINER, SHAFT	1					
65	2	22190-120002	WASHER, SEAL 12	1					
68	2	26106-060102	BOLT, M6X 10 PLATED	1					
69	2	26756-060002	NUT, LOCK M6	1					
78	2	158552-61900	O-RING	1					
84	2	26106-060142	BOLT, M6X 14 PLATED	2					
85	2	26106-060142	BOLT, M6X 14 PLATED	4					
86	2	26106-060202	BOLT, M6X 20 PLATED	10					
89	2	129246-61061	COVER, GOVERNOR CASE	1					
104	2	119653-77950	SOLENOID, STOP	1					

Remarks
* THIS FIGURE(GOVERNOR ASSY)IS
INCORPORATED IN THE FUEL INJECTION
PUMP ASSY(FIG.14).

N:Old $\frac{100}{100}$ New, Q:Old $\frac{100}{100}$ New, R:Old $\frac{100}{100}$ New, S:Old $\frac{100}{100}$ New, W:Add, Z:Discontinued, F:Interchangeable by set, K:Q'ty Change
Copyright (C) YANMAR CO., LTD. All Rights Reserved.

Fig.16. FUEL INJECTION VALVE



No.	Lev.	Parts No.	Description	Q'ty						I	R
				(A)	(B)	(C)	(D)	(E)	(F)		
1	1	729046-53100	VALVE ASSY,INJECTION	3							
2	2	129046-53000	VALVE ASSY,INJECTION	3							
5	2	114250-53080	NUT, NOZZLE D16.95	3							
11	2	114250-53120	SPRING, NOZZLE	3							
12	2	114250-53130	SEAT, SPRING	3							
13	2	114250-53140	PLATE	3							
14	2	114250-53210	PIN	6							
15	2	119803-53400	SHIM SET	3							
42	1	129150-59120	RETAINER, PIPE	2							
45	2	129150-59131	BOLT, M4X14	4							
47	1	129004-59811	PIPE ASSY, INJECTION	1							
51	1	129004-59821	PIPE ASSY, INJECTION	1							
55	1	129004-59831	PIPE ASSY, INJECTION	1							
59	1	129270-59550	PIPE, FUEL	2							
60	1	119802-59570	PIPE, FUEL	1							
61	1	129270-59580	CAP	1							
62	1	23000-013000	CLAMP, 13	7							

Fig.17. FUEL LINE

(A)=3TNV84T-XKMR
(B)=
(C)=

(D)=
(E)=
(F)=

No.	Lev.	Parts No.	Description	Q'ty					
				(A)	(B)	(C)	(D)	(E)	(F)
1	1	129004-55612	BRACKET, FILTER	1					
2	1	119802-55810	FILTER,FO	1					
3	1	26106-080302	BOLT, M8X 30 PLATED	2					
4	1	119802-59100	PIPE, FUEL	1					
5	1	119802-59110	PIPE, FUEL	1					
6	1	23000-016000	CLAMP, 16	4					
7	1	114110-07760	LABEL, FUEL OIL	1					

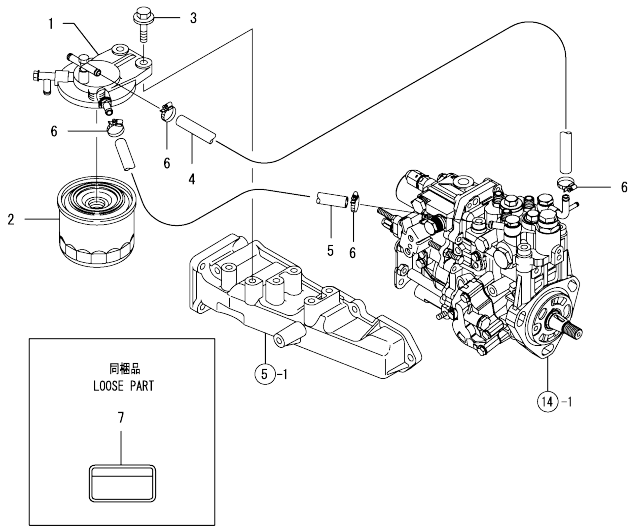
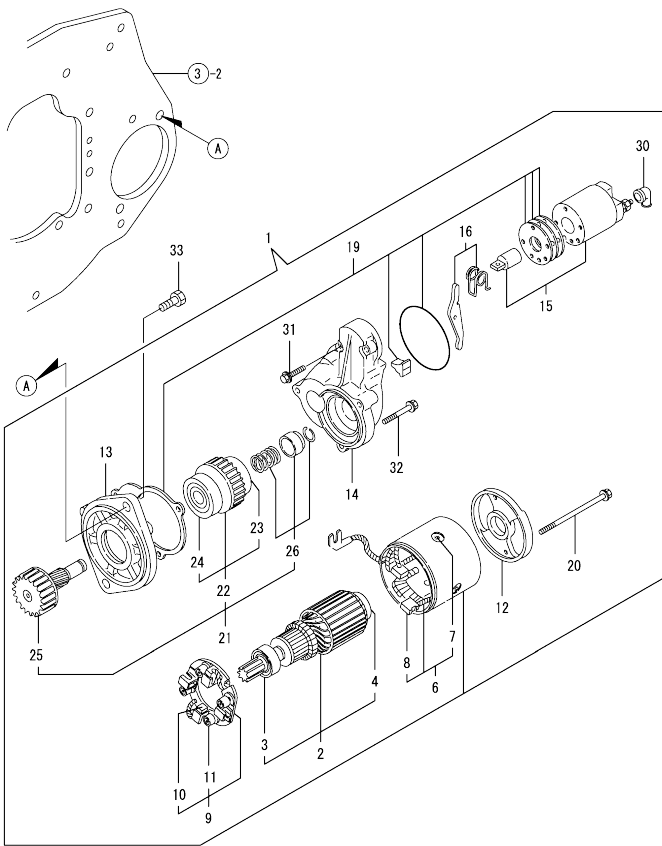


Fig.18. STARTING MOTOR



(A)=3TNV84T-XKMR
(B)=
(C)=

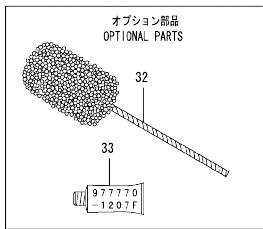
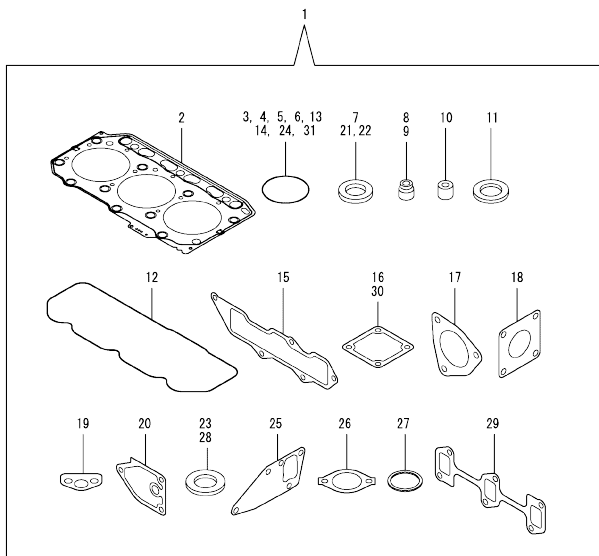
(D)=
(E)=
(F)=

No.	Lev.	Parts No.	Description	Q'ty					
				(A)	(B)	(C)	(D)	(E)	(F)
1	1	171008-77010	STARTER, S114-483	1					
2	2	171008-77400	ARMATURE ASSY	1					
3	3	X2114255110	BEARING, BALL	1					
4	3	X2130350900	BALL BEARING	1					
6	2	171008-77440	COIL ASSY, FIELD	1					
7	3	171008-77450	SCREW	4					
8	3	171008-77460	BRUSH (+)	2					
9	2	171008-77470	HOLDER ASSY, BRUSH	1					
10	3	171008-77480	BRUSH (-)	2					
11	3	171008-77490	SPRING, BRUSH	4					
12	2	171008-77500	COVER, REAR	1					
13	2	171008-77510	HOUSING ASSY, GEAR	1					
14	2	171008-77520	HOUSING, CENTER	1					
15	2	171008-77531	SWITCH ASSY, MAGNETIC	1					
16	2	171008-77540	LEVER SET, SHIFT	1					
19	2	171008-77571	DUST COVER, (NON-ASB.	1					
20	2	171008-77640	BOLT, THROUGH	2					
21	2	171008-77650	PINION ASSY	1					
22	3	X2114555500	CLUTCH ASSY	1					
23	4	X2114955020	BALL BEARING	1					
24	4	X2240410100	BEARING, BALL	1					
25	3	171008-77660	SHAFT, PINION	1					
26	3	171008-77670	STOPPER SET, PINION	1					
30	2	171008-77750	COVER, M TERMINAL	1					
31	2	26108-060322	BOLT, M6X 32 PLATED	2					
32	2	26108-060402	BOLT, M6X 40 PLATED	3					
33	1	26116-120252	BOLT, M12X 25 PLATED	2					

Fig.19. GASKET SET

(A)=3TNV84T-XKMR
(B)=
(C)=

(D)=
(E)=
(F)=



No.	Lev.	Parts No.	Description	Q'ty						I	R	
				(A)	(B)	(C)	(D)	(E)	(F)			
1	1	729006-92620	GASKET SET	1							1	
2	2	129002-01331	GASKET, HEAD	1								
3	2	119609-32040	O-RING, P16	4								
4	2	121850-51960	O-RING	1								
5	2	24311-000320	O-RING, 1AP32.0	2								
6	2	24341-000240	O-RING, 1AS24.0	1								
7	2	22190-220002	WASHER, SEAL 22	1								
8	2	121400-11340	SEAL, VALVE STEM	3								
9	2	124460-11340	SEAL, VALVE STEM	3								
10	2	119802-11870	PROTECTOR, NOZZLE	3								
11	2	119625-11880	SEAT, NOZZLE	3								
12	2	129004-11310	GASKET, BONNET	1								
13	2	24341-000400	O-RING, 1AS40.0	1								
14	2	24311-000120	O-RING, 1AP12.0	3								
15	2	129001-12110	GASKET, MANIFOLD	1								
16	2	129150-77511	GASKET	1								
17	2	129472-13520	GASKET	1								
18	2	129792-18091	GASKET	1								
19	2	129150-35042	GASKET	1								
20	2	129150-35111	GASKET	1								
21	2	22190-080002	WASHER, SEAL 6	2								
22	2	22190-100002	WASHER, SEAL 10	2								
23	2	23414-080000	GASKET, 8X1.0	2								
24	2	24316-000160	O-RING, 4DP16.0	1								
25	2	129486-42050	GASKET, WATER PUMP	1								
26	2	129795-49551	GASKET	1								
27	2	129470-49810	GASKET, THERMOSTAT	1								
28	2	124465-44950	GASKET, 16	1								
29	2	129150-13110	GASKET	1								
30	2	120445-44640	GASKET	1								
31	2	24321-000750	O-RING, 1AG75.0	2								
32	1	129400-92420	FLEX HORN	1								1
33	1	97770-1207F	GASKET, LIQUID	1								1

Remarks
(1) OPTIONAL PART.

N:Old $\frac{100}{100}$ New, Q:Old $\frac{100}{100}$ New, R:Old $\frac{100}{100}$ New, S:Old $\frac{100}{100}$ New, W:Add, Z:Discontinued, F:Interchangeable by set, K:Q'ty Change
Copyright (C) YANMAR CO., LTD. All Rights Reserved.

Parts No. Index

Parts No.	Fig. No.	Ref. No.	Parts No.	Fig. No.	Ref. No.	Parts No.	Fig. No.	Ref. No.	Parts No.	Fig. No.	Ref. No.
104214-42780	12	24	119802-77340	11	50	129001-01250	1	5	129150-02020	1	9
104407-21600	12	1	119803-53400	16	15	129001-02931	1	30	129150-02450	6	4
104407-44480	7	7	119807-61420	15	24	129001-12110	5	2	129150-02871	1	33
	13	3	119934-01800	2	5		19	15	129150-02931	1	24
105010-39140	10	1	119940-77270	11	49	129001-32330	2	16	129150-02941	1	36
114110-07760	17	7	120130-11860	4	30	129002-01331	1	29	129150-03070	4	43
114250-39450	9	33	120270-54410	4	35		19	2	129150-11230	4	9
114250-53080	16	5	120445-44640	13	20	129004-01190	1	27	129150-11280	4	7
114250-53120	16	11		19	30	129004-03010	4	42	129150-11370	4	12
114250-53130	16	12	121023-01551	2	28	129004-11130	4	23	129150-11750	4	11
114250-53140	16	13	121111-21501	8	8	129004-11241	4	1	129150-11810	4	31
114250-53210	16	14	121400-11340	4	26	129004-11251	4	2	129150-13110	13	1
119609-32040	2	11		19	8	129004-11310	4	46		19	29
	19	3	121450-42450	11	46		19	12	129150-14101	6	6
119620-49290	9	1	121520-34810	9	6	129004-11650	4	8	129150-14200	6	1
	13	7	121550-23200	8	27	129004-11900	4	34	129150-14400	6	2
119625-11880	4	33	121575-42021	12	6	129004-14580	6	3	129150-23601	8	28
	19	11	121575-42120	12	12	129004-21002	8	1	129150-23611	8	31
119640-01640	3	7	121575-42150	12	13	129004-55612	17	1	129150-25301	6	15
119653-77950	15	104	121850-21680	8	14	129004-59811	16	47	129150-35042	9	7
119660-61901	15	61	121850-51960	2	21	129004-59821	16	51		19	19
119802-01561	2	7		19	4	129004-59831	16	55	129150-35091	9	8
119802-11260	4	4	124060-01050	1	4	129005-59830	10	6	129150-35111	9	19
119802-11270	4	5	124070-42400	12	16	129006-01520	2	6		19	20
119802-11280	4	6	124070-42420	12	17	129006-03120	4	44	129150-35170	9	20
119802-11870	4	32	124160-01751	2	8	129006-11350	4	41	129150-42059	11	2
	19	10		4	40	129006-12101	5	1	129150-42301	11	8
119802-21202	8	4	124160-01910	1	6	129006-35100	9	16	129150-59120	16	42
119802-25051	6	9		1	7	129006-44480	9	21	129150-59131	16	45
119802-25071	6	13	124160-11360	4	50	129006-49040	9	26	129150-77511	5	13
119802-25101	6	10	124160-39140	10	2	129007-22080	8	16		19	16
119802-25901	6	16	124160-49480	13	11	129007-22500	8	18	129155-51280	15	6
119802-32070	2	13	124223-39900	10	5	129007-22900	8	33	129155-61460	15	26
119802-32100	2	12	124223-42040	12	7	129007-22950	8	35	129156-44760	11	17
119802-32111	2	17	124223-42070	12	8	129009-11710	4	13	129170-44110	13	16
119802-32120	2	18	124223-42080	12	9	129046-12851	5	16	129170-49260	11	28
119802-32130	2	19	124223-42092	12	10	129046-18020	7	5	129171-03090	4	56
119802-35110	9	17	124223-42110	12	11	129046-39450	10	3	129171-44600	13	19
119802-39500	10	4	124240-01871	2	9	129046-53000	16	2	129171-49561	11	34
119802-51090	14	11	124460-11340	4	27	129054-42320	11	10	129175-01770	3	6
119802-51250	14	130		19	9	129080-49010	12	26	129175-21650	8	12
119802-51560	14	59	124460-77680	12	33	129100-01580	3	1	129176-01601	3	2
119802-51590	14	64		13	24		8	2	129176-39610	10	14
119802-51600	14	65	124465-44950	11	47		14	14	129176-44000	13	5
119802-51680	14	69		19	28	129100-01640	3	15	129176-44900	13	4
119802-51690	14	70	124550-21600	8	11	129100-01730	3	5	129189-21570	8	9
119802-55810	17	2	124770-12540	5	8	129100-11130	4	24	129202-22300	8	22
119802-59100	17	4	127610-91350	11	48	129100-23910	8	30	129246-61061	15	89
119802-59110	17	5	128170-13600	7	4	129122-44480	2	20	129246-61441	15	25
119802-59570	16	60		13	2	129150-01200	1	28	129255-61410	15	23

Parts No. Index

Parts No.	Fig. No.	Ref. No.
129263-42120	11	4
129270-59550	16	59
129270-59580	16	61
129301-03660	4	57
129400-92420	19	32
129403-39610	10	15
129410-77330	11	45
129417-33110	9	15
129417-35150	9	18
129418-32320	2	15
129457-49801	11	41
129466-49300	9	31
129470-07230	4	53
129470-44440	13	17
129470-44450	13	18
129470-49200	11	24
129470-49220	11	25
129470-49240	11	26
129470-49250	11	27
129470-49540	11	39
129470-49810	11	42
129472-13520	7	1
	19	17
129472-49040	12	36
129473-49310	11	32
129475-49020	12	28
129477-12500	5	5
129477-12530	5	7
129486-01670	3	18
129486-42050	11	16
	19	25
129508-33010	9	13
129508-33050	9	14
129508-49030	9	22
129509-51390	14	41
129550-42350	11	23
129553-39650	9	40
129579-13551	7	2
129579-42160	12	14
129579-42190	12	15
129579-42502	12	4
129579-42590	12	18
129579-49320	11	33
129579-49460	12	32
129642-49180	9	29
129647-42000	11	1
129647-42150	12	3
129647-42500	12	2
129649-12210	5	10

Parts No.	Fig. No.	Ref. No.
129649-12811	5	17
129649-12821	5	18
129649-12832	5	19
129670-49290	7	8
	11	29
	12	29
129670-51600	14	73
129792-18091	7	6
	19	18
129792-39410	9	34
129795-01780	3	17
129795-01900	2	31
129795-01950	2	10
129795-02412	1	12
129795-11120	4	22
129795-11180	4	25
129795-21661	8	13
129795-49551	11	40
	19	26
129900-07900	4	54
129900-32130	2	14
129916-49740	11	11
129916-59020	14	128
129960-03990	4	58
158552-51151	14	14
158552-51571	14	60
	61	
158552-51580	14	63
158552-51600	14	74
158552-51670	14	4
158552-51781	14	100
158552-52100	14	109
158552-52310	14	111
158552-52400	14	112
158552-52500	14	110
158552-61900	15	78
158553-51630	14	75
158553-51660	14	78
158553-51670	14	68
158553-51680	14	79
158553-51770	14	106
158553-51930	14	103
	15	7
158553-61050	15	3
158553-61070	15	4
158557-51570	14	62
158563-51281	14	39
	3	40
158563-51330	14	50
158600-51270	14	38

Parts No.	Fig. No.	Ref. No.
158601-51550	14	58
158601-51650	14	77
158601-51770	14	99
158601-51790	14	101
171007-49400	7	11
171008-03990	9	23
		27
171008-77010	18	1
171008-77400	18	2
171008-77440	18	6
171008-77450	18	7
171008-77460	18	8
171008-77470	18	9
171008-77480	18	10
171008-77490	18	11
171008-77500	18	12
171008-77510	18	13
171008-77520	18	14
171008-77531	18	15
171008-77540	18	16
171008-77571	18	19
171008-77640	18	20
171008-77650	18	21
171008-77660	18	25
171008-77670	18	26
171008-77750	18	30
171051-01921	1	8
171420-34800	9	5
171487-49010	12	27
194440-51620	11	35
22190-080002	10	7
	9	
	19	21
22190-100002	10	10
	19	22
22190-120002	14	104
		113
		114
	15	65
22190-180002	14	105
22190-220002	3	9
	19	7
22217-080000	11	18
22217-140000	14	115
22242-000150	12	19
22252-000260	8	23
22252-000350	12	20
22312-050140	14	116
22351-030010	8	7
	9	41

Parts No.	Fig. No.	Ref. No.
22351-050010	14	117
22351-060012	4	36
22512-070140	6	7
	8	5
22512-070160	8	15
22857-500100	4	47
		48
23000-013000	11	36
	16	62
23000-016000	17	6
23000-022000	10	16
23000-025000	11	37
23000-035000	12	34
		37
23000-041000	11	38
23000-048000	5	9
		21
23000-054000	5	20
23000-060000	5	22
23061-070300	12	35
	13	25
23080-015000	9	25
		30
23414-080000	10	11
	19	23
23414-170000	13	12
23857-030000	10	8
23857-060000	14	118
23876-010000	5	12
23876-030000	2	3
23876-040000	2	4
23894-030002	13	13
24107-062024	12	21
24311-000070	14	120
24311-000120	4	51
	19	14
24311-000320	2	22
	4	52
	19	5
24316-000160	10	17
	19	24
24321-000750	13	21
	19	31
24341-000240	2	29
	19	6
24341-000400	4	49
	19	13
24356-010180	14	121
24356-010200	14	71
		122

Parts No. Index

Parts No.	Fig. No.	Ref. No.
24358-240310	11	12
24372-000150	14	72
25132-004400	11	51
26014-080162	12	22
26106-060082	12	25
26106-060102	11	19
	14	123
	15	68
26106-060142	15	84
		85
26106-060162	2	30
	10	18
26106-060202	11	13
	15	86
26106-060322	18	31
26106-060402	18	32
26106-060552	11	20
		21
26106-060652	11	22
26106-080122	10	12
26106-080142	6	8
26106-080162	2	23
		24
	3	10
	4	55
	13	22
	14	131
26106-080202	5	3
		14
	9	32
	14	132
26106-080252	3	11
	4	37
	11	43
	13	23
26106-080302	17	3
26106-080352	3	19
	4	38
	9	12
	11	44
26106-080402	6	14
26106-080452	3	12
26106-080502	3	13
	4	39
26106-080552	2	25
26106-080602	12	38
26106-080652	5	15
26106-080802	5	4
26106-080852	2	26
26106-080902	12	39

Parts No.	Fig. No.	Ref. No.
26106-081002	13	26
26113-040088	12	23
26116-060162	11	14
26116-120252	18	33
26206-100202	3	3
26206-100252	3	4
26306-080002	2	27
	13	27
26366-060002	10	13
26450-080452	14	125
26577-060162	11	15
26703-080002	7	3
		12
26756-060002	15	69
26776-140002	14	126
27241-120000	1	13
27241-280000	13	14
27241-300000	1	14
27241-400000	4	21
	13	15
27310-080001	4	28
719802-01500	2	1
729006-01560	1	1
729006-92620	19	1
729046-51300	14	1
729046-53100	16	1
729402-23100	8	24
977770-1207F	19	33
X2114255110	18	3
X2114555500	18	22
X2114955020	18	23
X2130350900	18	4
X2240410100	18	24

Parts No.	Fig. No.	Ref. No.
-----------	----------	----------

Parts No.	Fig. No.	Ref. No.
-----------	----------	----------