

OCR10-M61700EN

# PREFACE

- 1.This Parts Catalog carries all parts incorporated in YANMAR Model 3TNV84-DMV engine manufactured since June, 2005.
- 2.Each illustration corresponds to the parts list on the following page.
- 3.When ordering parts,clearly write down the engine model and serial number,as well as the name and number of each part in your order sheet. This will help insure reliable delivery of the parts you have ordered.

## Directions for the Parts Catalog.

1. This Parts Catalog shows both standard and optional parts.
2. Parts may change without prior notice.
3. The following is an example of the Parts Catalog format.

REF.	LEV.	PARTS NO.	DESCRIPTION	Q'TY						I	R
				(A)	(B)	(C)	(D)	(E)	(F)		
1	1	729595-51390	FUEL INJECTION PUMP	1	1	1	1	1			1
1-1	1	729595-51391	FUEL INJECTION PUMP	1	1	1	1	1		N	1
		(A=E00185) (B=E00200)									
3	2	26022-060162	SCREW M 6X 16	9	9	9	9	9			
3-1	2	26022-060162	SCREW M 6X 16	4	4	4	4	4		K	
		(A=E00156) (B=E00156) (C=E00156) (D=E00156) (E=E00156)									
4	2	129470-51040	CAMSHAFT	1	1	1	1	1			
5	2	122710-51050	BEARING, ROLLER	2	2	2	2	2			
6	2	129470-51060	RETAINER	1	1	1	1	1			

Remarks
(1) BOOST COMPEMSATOR TYPE. OPTIONAL PART, TO E00155,(4JH-DT, 4JH-DTZ

### ① Ref. No.

The Ref. No. listed may not be in accordance with the illustration Ref. No.

(Ex.) Illustration No.

List Ref No.

1 1 (Before change) → 1-1 (After change)

For interchangeable symbols N, R and K, illustrations for new parts may be abbreviated.

### ② Lev. (Level)

Level indication

The numbers below indicate the level of relativity towards the main part.

1 ---- Main parts (Assembly parts)

2 ---- Sub component included in " 1 ".

3 ---- Sub component included in " 2 ".

Note) Parts that are not for sale are partially illustrated but not listed.

### ③ Interchangeability Symbol

When a part change takes place, one of the following interchangeability symbols is indicated beside the part.

Symbol	Interchangeability	Contents note
N	Old $\begin{matrix} \leftarrow \text{Yes} \\ \text{No} \rightarrow \end{matrix}$ New	New Part is interchangeable for Old Part but Old Part is not interchangeable for New Part.
Q	Old $\begin{matrix} \leftarrow \text{No} \\ \text{Yes} \rightarrow \end{matrix}$ New	New Part is not interchangeable for Old Part but Old Part is interchangeable for New Part.
R	Old $\begin{matrix} \leftarrow \text{Yes} \\ \text{Yes} \rightarrow \end{matrix}$ New	New/ Old Parts are both interchangeable.
S	Old $\begin{matrix} \leftarrow \text{No} \\ \text{No} \rightarrow \end{matrix}$ New	New/ Old Parts are both not interchangeable.
W		Part newly added.
Z		Part discontinued.
F		Not interchangeable by a single part but interchangeable together with related parts.
K		Changes only for used parts quantities.

### ④ Effective Machine No.

When a part changes, the effective Machine No. will be indicated in the (A)-(F) column.

Product Symbol	Product No.	Product Symbol	Product No.
C	Clutch No. Compressor No.	F	Machine No. (Agricultural Equip.)
D	Drive No.	M	Machine No.
E	Engine No.		

Note 1) A date may follow the symbol. (Ex.) 1996.01

Note 2) "XXXXX" and "ZZZZZ" are for parts that could not be predicted or for engine models that could not be identified.

Note 3) (A=E00185) is the E (Engine Serial Number) for the column (A) model (in this case 4JH-DT) after the parts design change.

### ⑤ Remarks

Figures or alphabets (symbols) are entered in the remarks column.

The comments (remarks) on parts that are indicated at the bottom of the illustration are the same symbols as those stated above.

## Contents

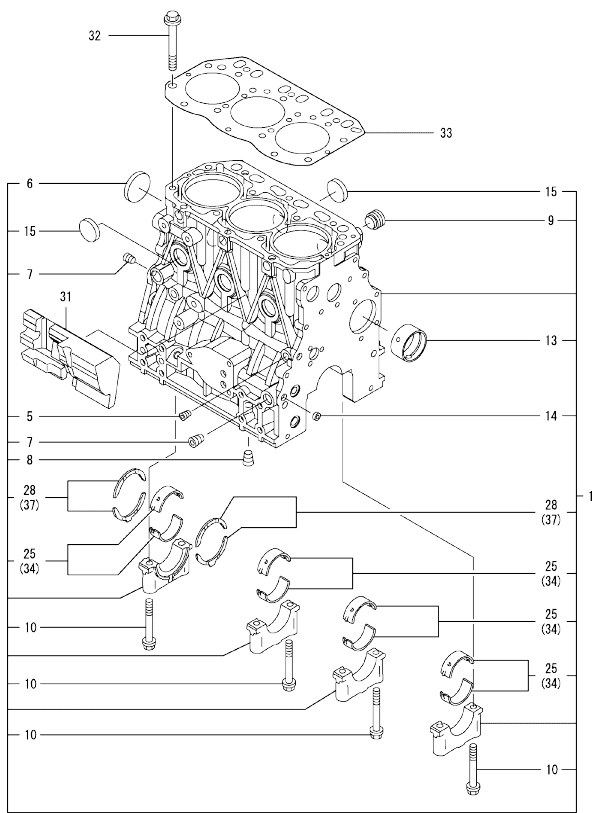
OCR10-M61700

Fig. No.	Fig. Name	Fig. No.	Fig. Name
ENGINE SECTION (3TNV84-DMW)			
1.	CYLINDER BLOCK		
2.	GEAR HOUSING		
3.	MOUNTING FLANGE & OIL SUMP		
4.	CYLINDER HEAD & BONNET		
5.	SUCTION MANIFOLD		
6.	EXHAUST MANIFOLD		
7.	CAMSHAFT & DRIVING GEAR		
8.	CRANKSHAFT & PISTON		
9.	LUB.OIL SYSTEM		
10.	COOLING WATER SYSTEM		
11.	FUEL INJECTION PUMP		
12.	GOVERNOR		
13.	FUEL INJECTION VALVE		
14.	FUEL LINE		
15.	STARTING MOTOR		
16.	GENERATOR		
17.	GASKET SET		

Fig.1. CYLINDER BLOCK

(A)=3TNV84-DMW  
(B)=  
(C)=

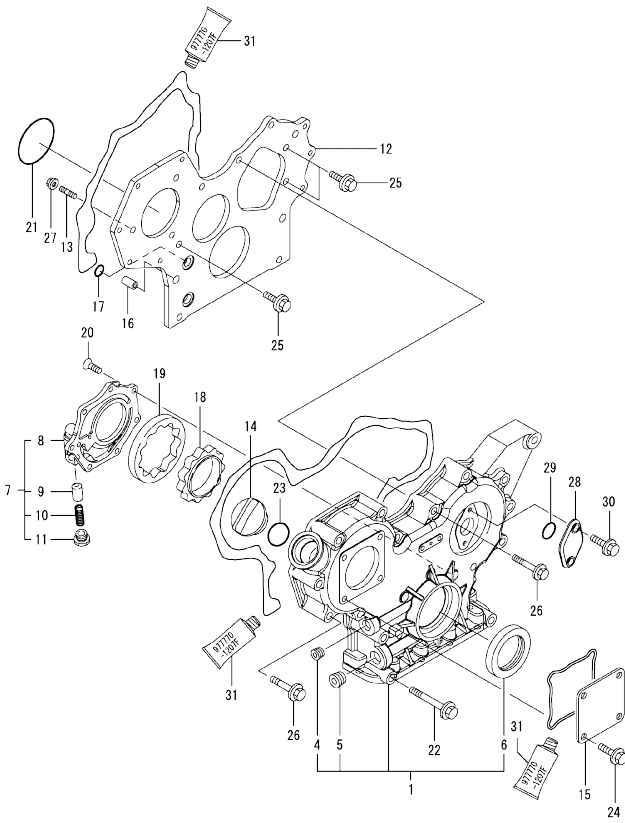
(D)=  
(E)=  
(F)=



No.	Lev.	Parts No.	Description	Q'ty						I	R
				(A)	(B)	(C)	(D)	(E)	(F)		
1	1	729004-01560	BLOCK ASSY, CYLINDER	1							
5	2	124060-01050	PLUG, PT1/8	1							
6	2	129001-01250	PLUG, 50	1							
7	2	124160-01910	PLUG, PT1/4	2							
8	2	124160-01910	PLUG, PT1/4	1							
9	2	171051-01921	PLUG, NPTF1	1							
10	2	129150-02020	BOLT, METAL CAP	8							
13	2	129795-02411	BUSH, CAMSHAFT	1							
14	2	27241-120000	PLUG, 12	2							
15	2	27241-300000	PLUG 30	6							
25	2	129001-02930	BEARING, MAIN	4							3
28	2	129150-02930	BEARING, THRUST	2							
31	1	129004-01190	SPACER	1							
32	1	129150-01200	BOLT, HEAD	14							
33	1	129002-01331	GASKET, HEAD	1							
34	1	129150-02870	BEARING, 0.25 US	4							1
37	1	129150-02940	BEARING, THRUST 0.25	1							2

Remarks  
(1) UNDER-SIZE(U.S=0.25)PART.  
(2) OVER-SIZE(O.S=0.25)PART.  
(3) REPAIR PART.

Fig.2. GEAR HOUSING



(A)=3TNV84-DMW  
(B)=  
(C)=

(D)=  
(E)=  
(F)=

No.	Lev.	Parts No.	Description	Qty						I	R	
				(A)	(B)	(C)	(D)	(E)	(F)			
1	1	719802-01500	CASE ASSY, GEAR	1								
4	2	23876-030000	PLUG, R03	1								
5	2	23876-040000	PLUG, R04	1								
6	2	129795-01800	SEAL, OIL	1								
7	1	119802-32100	COVER ASSY	1								
8	2	119802-32070	COVER	1								
9	2	129900-32130	VALVE, RELIEF	1								
10	2	129418-32320	SPRING	1								
11	2	129001-32330	PLUG	1								
12	1	119802-01520	FLANGE, GEAR CASE	1								
13	1	119802-01560	STUD, M8X25	3								
14	1	124160-01751	COVER, FILLER	1								
15	1	124240-01871	COVER	1								
16	1	129795-01950	PIPE, KNOCK L=18	2								
17	1	119609-32040	O-RING, P16	4								
18	1	119802-32111	ROTOR, INNER	1								
19	1	119802-32120	ROTOR, OUTER	1								
20	1	119802-32130	SCREW, M6X16	7								
21	1	121850-51960	O-RING	1								
22	1	129001-91841	BOLT, M8X85	3								
23	1	24311-000320	O-RING, 1AP32.0	1								
24	1	26106-080162	BOLT, M8X 16 PLATED	4								
25	1	26106-080162	BOLT, M8X 16 PLATED	3								
26	1	26106-080552	BOLT, M8X 55 PLATED	12								
27	1	26306-080002	NUT, M8	3								
28	1	121023-01550	COVER	1								
29	1	24341-000240	O-RING, 1AS24.0	1								
30	1	26106-060162	BOLT, M6X 16 PLATED	2								
31	1	977770-1207F	GASKET, LIQUID	1								1

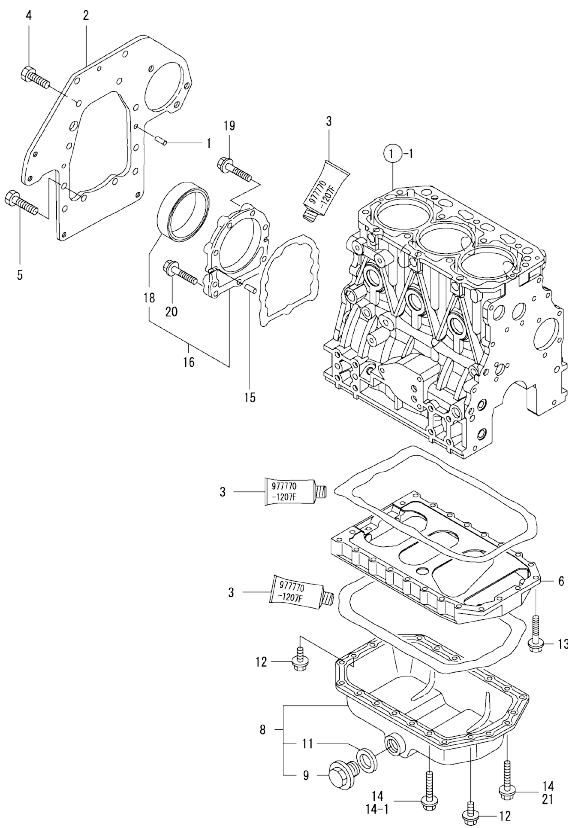
Remarks  
(1) OPTIONAL PART.

N:Old  $\frac{100}{100}$  New, Q:Old  $\frac{100}{100}$  New, R:Old  $\frac{100}{100}$  New, S:Old  $\frac{100}{100}$  New, W:Add, Z:Discontinued, F:Interchangeable by set, K:Qty Change  
Copyright (C) YANMAR CO., LTD. All Rights Reserved.

Fig.3. MOUNTING FLANGE & OIL SUMP

(A)=3TNV84-DMW  
(B)=  
(C)=

(D)=  
(E)=  
(F)=

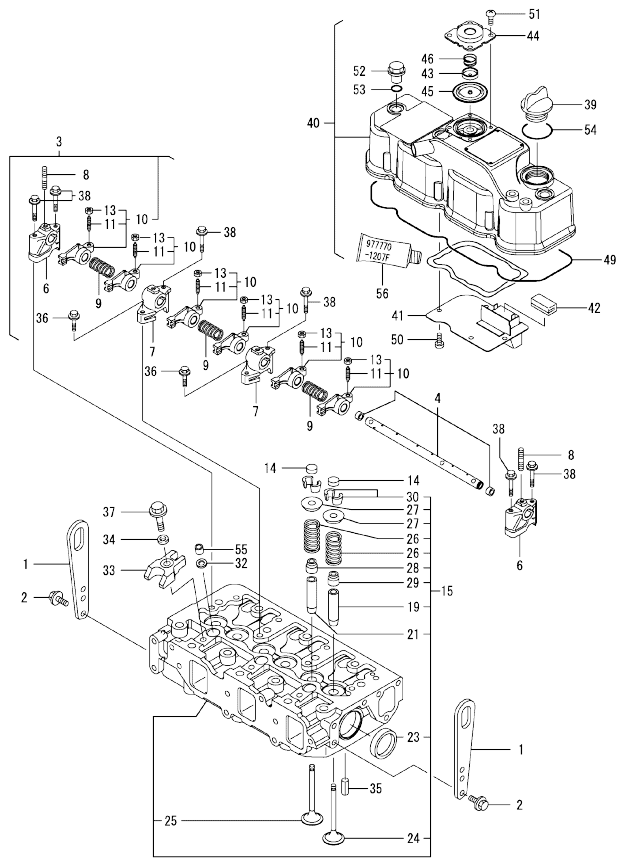


No.	Lev.	Parts No.	Description	Q'ty						I	R
				(A)	(B)	(C)	(D)	(E)	(F)		
1	1	129100-01580	PIN, M8X16	2							
2	1	119820-01600	PLATE	1							
3	1	977770-1207F	GASKET.LIQUID	1							1
4	1	26206-100202	BOLT, M10X 20 PLATED	6							
5	1	26206-100252	BOLT, M10X 25 PLATED	4							
6	1	129100-01730	SPACER, OIL SUMP	1							
8	1	129175-01770	SUMP ASSY, OIL	1							
9	2	119640-01640	PLUG, DRAIN M22	1							
11	2	22190-220002	WASHER, SEAL 22	1							
12	1	26106-080162	BOLT, M8X 16 PLATED	4							
13	1	26106-080252	BOLT, M8X 25 PLATED	2							
14	1	26106-080452	BOLT, M8X 45 PLATED	20							
14-1	1	26106-080452	BOLT, M8X 45 PLATED	16							K
(A=FROM 1ST)											
15	1	129100-01580	PIN, M8X16	2							
16	1	129100-01640	CASE ASSY, OIL SEAL	1							
18	2	129795-01780	SEAL, OIL	1							
19	1	129486-01670	BOLT, M8X30	6							
20	1	26106-080352	BOLT, M8X 35 PLATED	3							
21	1	26106-080502	BOLT, M8X 50 PLATED	4							W
(A=FROM 1ST)											

Remarks  
(1) OPTIONAL PART.

N:Old  $\frac{100}{100}$  New, Q:Old  $\frac{100}{100}$  New, R:Old  $\frac{100}{100}$  New, S:Old  $\frac{100}{100}$  New, W:Add, Z:Discontinued, F:Interchangeable by set, K:Q'ty Change  
Copyright (C) YANMAR CO., LTD. All Rights Reserved.

OCR10-M61700 ENGINE SECTION (3TNV84-DMW)  
 Fig.4. CYLINDER HEAD & BONNET



Remarks  
 (1) REPAIR PART.  
 (2) OPTIONAL PART.

OCR10-M61700 Fig.4

(A)=3TNV84-DMW  
 (B)=  
 (C)=

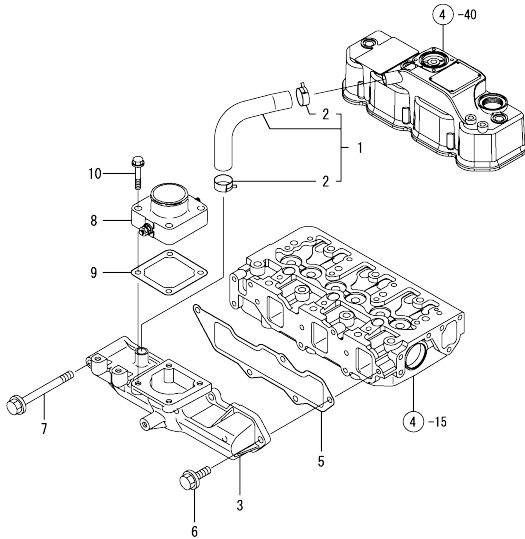
(D)=  
 (E)=  
 (F)=

No.	Lev.	Parts No.	Description	Q'ty						I	R		
				(A)	(B)	(C)	(D)	(E)	(F)				
1	1	129900-07900	LIFTER										
2	1	26106-080162	BOLT, M8X 16 PLATED										
3	1	129004-11241	SHAFT ASSY, ROCKER										
4	2	129004-11251	SHAFT, ROCKER ARM										
6	2	119802-11260	SUPPORT, ROCKER ARM										
7	2	119802-11270	SUPPORT, ROCKER ARM										
8	2	119802-11280	STUD										
9	2	129150-11280	SPRING										
10	2	129004-11650	ARM, ROCKER										
11	3	129150-11230	SCREW, VALVE ADJUST										
13	3	129150-11750	NUT, M8										
14	1	129150-11370	CAP, VALVE										
15	1	129004-11700	HEAD ASSY, CYLINDER										
19	2	120130-11860	GUIDE, VALVE										1
21	2	129150-11810	GUIDE, VALVE										1
23	2	27241-400000	PLUG, 40										
24	2	129004-11101	VALVE, INTAKE										
25	2	129100-11111	VALVE, EXHAUST										
26	2	129795-11120	SPRING, VALVE										
27	2	129795-11180	RETAINER, SPRING										
28	2	121400-11340	SEAL, VALVE STEM										
29	2	124460-11340	SEAL, VALVE STEM										
30	2	27310-080001	COTTER, 8										
32	1	119625-11880	SEAT, NOZZLE										
33	1	129004-11900	RETAINER, NOZZLE										
34	1	120270-54410	WASHER, INJECTOR										
35	1	22351-060012	PIN, SPRING 6.0X12										
36	1	26106-080252	BOLT, M8X 25 PLATED										
37	1	26106-080352	BOLT, M8X 35 PLATED										
38	1	26106-080502	BOLT, M8X 50 PLATED										
39	1	124160-01751	COVER, FILLER										
40	1	129004-11350	BONNET ASSY, HEAD										
41	2	129004-03010	PLATE										
42	2	129150-03070	BAFFLE, BREATHER										
43	2	119802-03110	PLATE										
44	2	119802-03121	COVER, DIAPHRAGM										
45	2	119802-03130	DIAPHRAGM										
46	2	119802-03141	SPRING, DIAPHRAGM										
49	2	129004-11310	GASKET, BONNET										
50	2	22857-500100	SCREW, 5X10										
51	2	22857-500100	SCREW, 5X10										
52	1	124160-11360	KNOB										
53	1	24311-000120	O-RING, 1AP12.0										
54	1	24311-000320	O-RING, 1AP32.0										
55	1	119802-11870	PROTECTOR, NOZZLE										
56	1	977770-1207F	GASKET, LIQUID										2

N:Old  $\frac{100}{100}$  New, Q:Old  $\frac{100}{100}$  New, R:Old  $\frac{100}{100}$  New, S:Old  $\frac{100}{100}$  New, W:Add, Z:Discontinued, F:Interchangeable by set, K:Q'ty Change  
 Copyright (C) YANMAR CO., LTD. All Rights Reserved.



Fig.5. SUCTION MANIFOLD

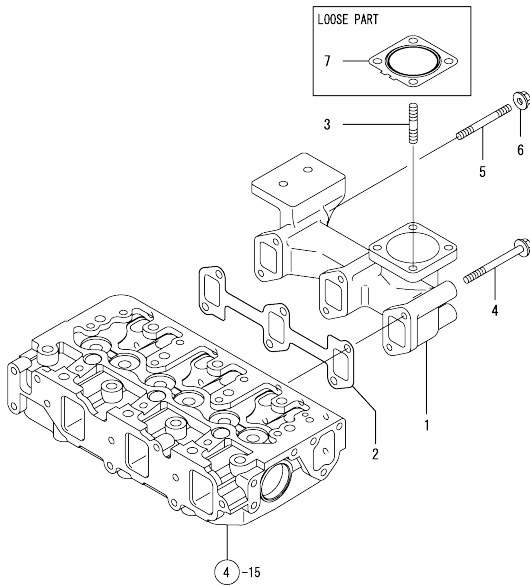


(A)=3TNV84-DMW  
(B)=  
(C)=

(D)=  
(E)=  
(F)=

No.	Lev.	Parts No.	Description	Q'ty					
				(A)	(B)	(C)	(D)	(E)	(F)
1	1	129005-03080	PIPE , BREATHER	1					
2	2	129410-03990	CLAMP 22	2					
3	1	129005-12100	MANIFOLD, AIR INTAKE	1					
5	1	129001-12110	GASKET, MANIFOLD	1					
6	1	26106-080202	BOLT, M8X 20 PLATED	4					
7	1	26106-080802	BOLT, M8X 80 PLATED	1					
8	1	129120-77501	HEATER	1					
9	1	129150-77511	GASKET	1					
10	1	26106-080352	BOLT, M8X 35 PLATED	4					

Fig.6. EXHAUST MANIFOLD



(A)=3TNV84-DMW  
(B)=  
(C)=

(D)=  
(E)=  
(F)=

No.	Lev.	Parts No.	Description	Q'ty					
				(A)	(B)	(C)	(D)	(E)	(F)
1	1	129004-13109	MANIFOLD, EXHAUST	1					
2	1	129150-13110	GASKET	1					
3	1	119131-18320	STUD, M8X22	4					
4	1	123900-13630	BOLT, M8X80	4					
5	1	123900-13610	STUD, M8X80	2					
6	1	26306-080002	NUT, M8	2					
7	1	129004-13200	GASKET, SILENCER	1					

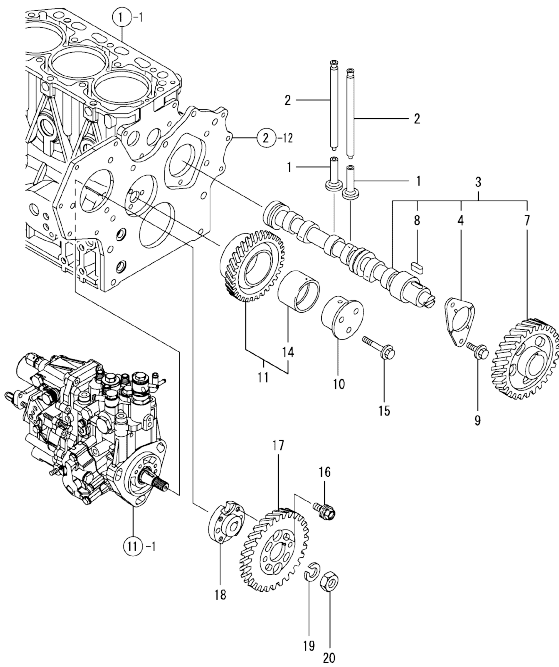
OCR10-M61700 ENGINE SECTION (3TNV84-DMW)  
 Fig.7. CAMSHAFT & DRIVING GEAR

OCR10-M61700 Fig.7

(A)=3TNV84-DMW  
 (B)=  
 (C)=

(D)=  
 (E)=  
 (F)=

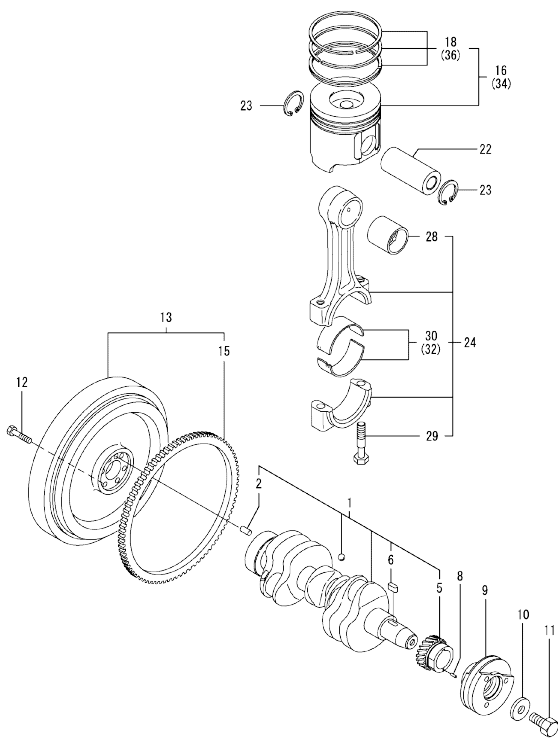
No.	Lev.	Parts No.	Description	Q'ty						I	R
				(A)	(B)	(C)	(D)	(E)	(F)		
1	1	129150-14200	TAPPET	6							
2	1	129150-14400	ROD, PUSH L=178	6							
3	1	129129-14580	CAMSHAFT ASSY	1							
4	2	129150-02450	BEARING, THRUST	1							
7	2	129150-14101	GEAR, CAMSHAFT	1							
8	2	22512-070140	KEY, 7X 14	1							
9	1	26106-080142	BOLT, M8X 14 PLATED	2							
10	1	119802-25051	SHAFT, IDLE	1							
11	1	119802-25100	GEAR ASSY, IDLE	1							
14	2	119802-25070	BUSH, IDLE GEAR	1							1
15	1	26106-080402	BOLT, M8X 40 PLATED	3							
16	1	129150-25301	BOLT	4							
17	1	119802-25901	GEAR, PUMP	1							
18	1	158552-51151	FLANGE	1							
19	1	22217-140000	WASHER, SPRING 14	1							
20	1	26776-140002	NUT, LOCK M14	1							



Remarks  
 (1) REPAIR PART.

N:Old  $\frac{100}{100}$  New, Q:Old  $\frac{100}{100}$  New, R:Old  $\frac{100}{100}$  New, S:Old  $\frac{100}{100}$  New, W:Add, Z:Discontinued, F:Interchangeable by set, K:Qty Change  
 Copyright (C) YANMAR CO., LTD. All Rights Reserved.

Fig.8. CRANKSHAFT & PISTON



(A)=3TNV84-DMW  
(B)=  
(C)=

(D)=  
(E)=  
(F)=

No.	Lev.	Parts No.	Description	Q'ty						I	R
				(A)	(B)	(C)	(D)	(E)	(F)		
1	1	129004-21002	CRANKSHAFT ASSY	1							
2	2	129100-01580	PIN, M8X16	1							
5	2	119802-21202	GEAR, CRANKSHAFT	1							
6	2	22512-070140	KEY, 7X 14	1							
8	1	22351-030010	PIN, SPRING 3.0X10	1							
9	1	129004-21650	V-PULLEY, 110	1							
10	1	129795-21661	WASHER	1							
11	1	121850-21680	BOLT	1							
12	1	121111-21501	BOLT, FLYWHEEL	6							
13	1	171340-21580	FLYWHEEL ASSY	1							
15	2	119865-21600	GEAR, RING	1							
16	1	129004-22080	PISTON ASSY	3							
18	2	129004-22500	RING SET, PISTON	3							
22	1	129202-22300	PIN, PISTON D26 L70	3							
23	1	22252-000260	RING, 26	6							
24	1	729402-23100	ROD ASSY, CONNECTING	3							
28	2	129100-23910	BEARING, PISTON PIN	3							1
29	2	121550-23200	BOLT, CONNECTING ROD	6							
30	2	129150-23600	BEARING, CRANK PIN	3							
32	1	129150-23610	BEARING, 0.25 US	3							2
34	1	129004-22900	PISTON ASSY, 0.25 OS	3							3
36	2	129004-22950	RING SET, 0.25 OS	3							3

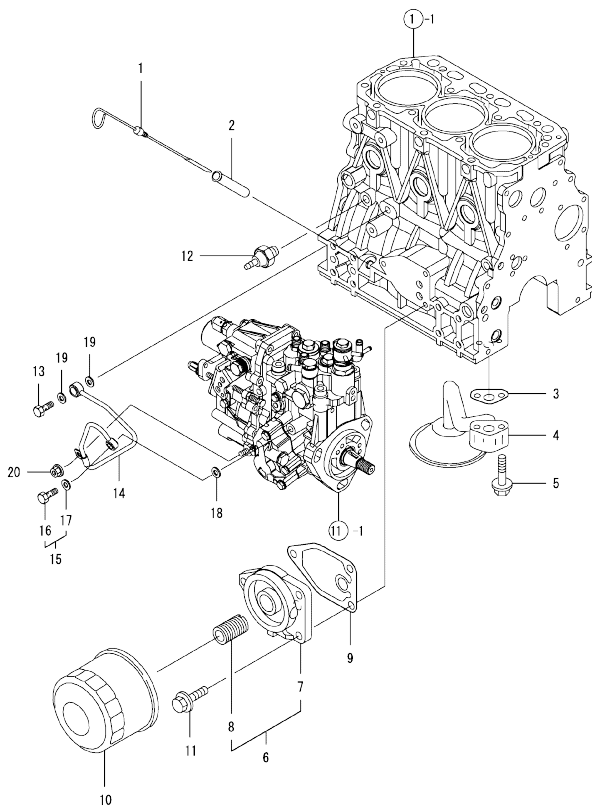
Remarks  
(1) REPAIR PART.  
(2) UNDER-SIZE(U.S=0.25)PART.  
(3) OVER-SIZE(O.S=0.25)PART.

Fig.9. LUB.OIL SYSTEM

(A)=3TNV84-DMW  
(B)=  
(C)=

(D)=  
(E)=  
(F)=

No.	Lev.	Parts No.	Description	Q'ty						I	R
				(A)	(B)	(C)	(D)	(E)	(F)		
1	1	129005-34802	DIPSTICK, OIL	1							
2	1	121520-34810	GUIDE, DIPSTICK	1							
3	1	129150-35042	GASKET	1							
4	1	129150-35091	PIPE ASSY, OIL INLET	1							
5	1	26106-080352	BOLT, M8X 35 PLATED	2							
6	1	119802-35100	BRACKET ASSY, FILTER	1							
7	2	119802-35110	BRACKET, FILTER	1							
8	2	129100-35140	STUD	1							
9	1	129150-35111	GASKET	1							
10	1	129150-35170	FILTER, LO	1							1
11	1	26106-080202	BOLT, M8X 20 PLATED	3							
12	1	114250-39450	SWITCH, 0.5KG	1							
13	1	124160-39140	BOLT, PIPE JOINT M10	1							
14	1	119802-39450	PIPE ASSY, OIL	1							
15	1	129005-59830	BOLT ASSY, JOINT M8	1							
16	2	23857-030000	BOLT, JOINT 3	1							
17	2	22190-080002	WASHER, SEAL 6	1							
18	1	22190-080002	WASHER, SEAL 6	1							
19	1	22190-100002	WASHER, SEAL 10	2							
20	1	26366-060002	NUT, M6	1							

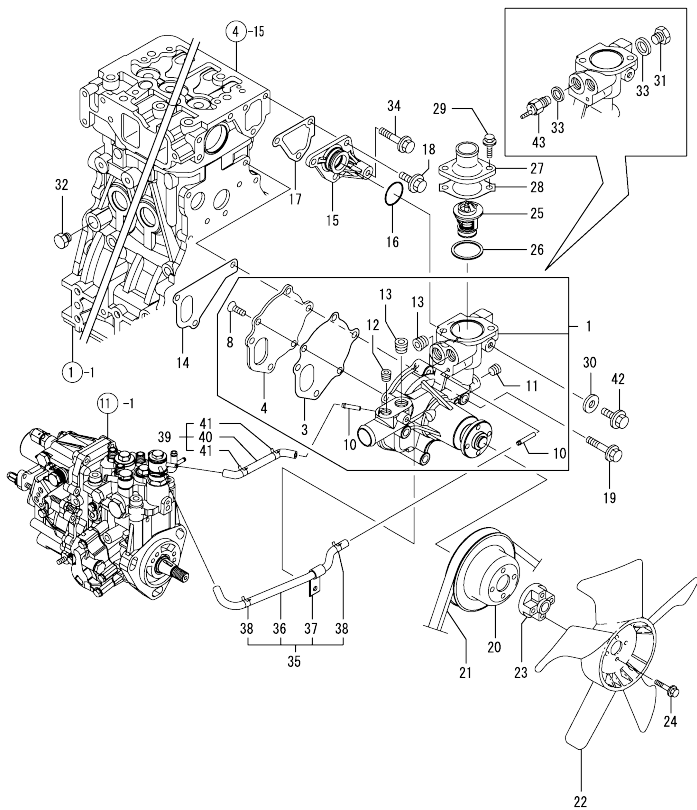


Remarks  
(1) REPAIR PART.

N:Old  $\frac{100}{100}$  New, Q:Old  $\frac{100}{100}$  New, R:Old  $\frac{100}{100}$  New, S:Old  $\frac{100}{100}$  New, W:Add, Z:Discontinued, F:Interchangeable by set, K:Q'ty Change  
Copyright (C) YANMAR CO., LTD. All Rights Reserved.

OCR10-M61700 ENGINE SECTION (3TNV84-DMW)  
**Fig.10. COOLING WATER SYSTEM**

OCR10-M61700 Fig.10



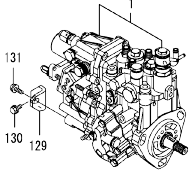
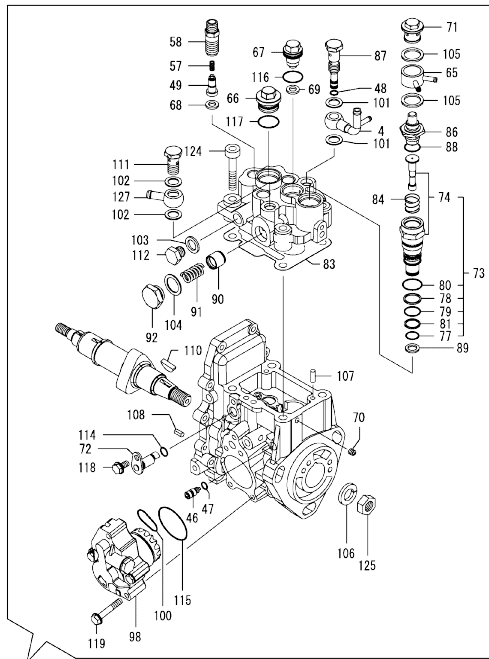
No.	Lev.	Parts No.	Description	Q'ty						I	R
				(A)	(B)	(C)	(D)	(E)	(F)		
1	1	129004-42001	PUMP ASSY, WATER	1							
3	2	129100-42051	GASKET, WATER PUMP	1							
4	2	129100-42121	PLATE	1							
8	2	121850-42410	SCREW	3							
10	2	119802-49113	JOINT, PIPE	2							
11	2	23876-010000	PLUG, R01	1							
12	2	23876-020000	PLUG, R02	1							
13	2	129916-49740	PLUG, R03	2							
14	1	129486-42021	GASKET, WATER PUMP	1							
15	1	129004-42040	JOINT	1							
16	1	129486-42140	O-RING, G30	1							
17	1	124395-49840	GASKET	1							
18	1	26106-080162	BOLT, M8X 16 PLATED	3							
19	1	26106-080602	BOLT, M8X 60 PLATED	3							
20	1	129403-42380	V-PULLEY, D=110	1							
21	1	25132-003800	V-BELT, A38	1							
22	1	129335-44740	FAN, COOLING D335	1							
23	1	171353-44760	SPACER, FAN	1							
24	1	26106-060402	BOLT, M6X 40 PLATED	4							
25	1	129155-49801	THERMOSTAT, 71	1							
26	1	129150-49811	GASKET, THERMOSTAT	1							
27	1	129350-49530	COVER, THERMOSTAT	1							
28	1	129795-49551	GASKET	1							
29	1	26106-080222	BOLT, M8X 22 PLATED	2							
30	1	23414-080000	GASKET, 8X1.0	1							
31	1	121450-42450	PLUG, M16	1							
32	1	171056-49120	PLUG, DRAIN	1							
33	1	124465-44950	GASKET, 16	2							
34	1	26106-080452	BOLT, M8X 45 PLATED	1							
35	1	129004-49610	PIPE ASSY, WATER	1							
36	2	129004-49711	PIPE ASSY, WATER	1							
37	2	119802-49730	RETAINER, PIPE	1							
38	2	124722-59050	CLIP, HOSE 9	2							
39	1	129004-49620	PIPE ASSY, WATER	1							
40	2	129004-49721	PIPE ASSY, WATER	1							
41	2	124722-59050	CLIP, HOSE 9	2							
42	1	26106-080122	BOLT, M8X 12 PLATED	1							
43	1	121250-44901	SWITCH, 110	1							

N:Old  $\frac{100}{100}$  New, Q:Old  $\frac{100}{100}$  New, R:Old  $\frac{100}{100}$  New, S:Old  $\frac{100}{100}$  New, W:Add, Z:Discontinued, F:Interchangeable by set, K:Qty Change  
 Copyright (C) YANMAR CO., LTD. All Rights Reserved.

Fig.11. FUEL INJECTION PUMP

(A)=3TNV84-DMW  
(B)=  
(C)=

(D)=  
(E)=  
(F)=



No.	Lev.	Parts No.	Description	Q'ty						I	R
				(A)	(B)	(C)	(D)	(E)	(F)		
1	1	729233-51390	PUMP ASSY, INJECTION	1							1
4	2	158552-51670	JOINT, OVER FLOW	1							
46	2	158600-51270	STOPPER, TAPPET	1							
47	2	158563-51281	O-RING, 4D S6	1							
48	2	158563-51281	O-RING, 4D S6	1							
49	2	158560-51300	VALVE ASSY, DELIVERY	3							
57	2	158563-51330	SPRING, DELIVERY	3							
58	2	158601-51340	HOLDER, DELIVERY	3							
65	2	158553-51551	JOINT	1							
66	2	158601-51550	PLUG	1							
67	2	119802-51560	PLUG, BARREL	1							
68	2	158552-51570	GASKET	3							
69	2	158552-51570	GASKET	1							
70	2	158557-51570	PLUG	1							
71	2	158601-51570	PLUG	1							
72	2	158552-51580	LIFTER	1							
73	2	119802-51590	TIMER SET	1							
74	3	119802-51600	TIMER ASSY	1							
77	3	158553-51670	O-RING, 1011	1							
78	3	119802-51680	RING, BACK UP	1							
79	3	119802-51690	O-RING	1							
80	3	24356-010200	O-RING, 4D1020	1							
81	3	24372-000150	RING, BACK UP T2P15	1							
83	2	158552-51600	GASKET	1							
84	2	158553-51630	SPRING, TIMER	1							
86	2	158553-51640	ELEMENT	1							
87	2	158601-51650	JOINT, OVER FLOW	1							
88	2	158553-51660	O-RING, P14	1							
89	2	158553-51680	GASKET	1							
90	2	158601-51770	PISTON	1							
91	2	158552-51780	SPRING	1							
92	2	158601-51790	PLUG	1							
98	2	158552-52100	PUMP ASSY, FUEL FEED	1							
100	2	158552-52310	O-RING	1							
101	2	22190-120002	WASHER, SEAL 12	2							
102	2	22190-120002	WASHER, SEAL 12	2							
103	2	22190-120002	WASHER, SEAL 12	1							
104	2	22190-180002	WASHER, SEAL 18	1							
105	2	22190-180002	WASHER, SEAL 18	2							
106	2	22217-140000	WASHER, SPRING 14	1							
107	2	22312-050140	PIN, PARALLEL M5X14	2							
108	2	22351-050010	PIN, SPRING 5.0X10	2							
110	2	119802-51090	KEY, 4X16	1							
111	2	23857-060000	BOLT, JOINT 6	1							
112	2	23887-120002	PLUG, 12	1							
114	2	24311-000070	O-RING, 1AP7.0	1							
115	2	158552-52400	O-RING, 4E S42	1							
116	2	24356-010180	O-RING, 4D1018	1							
117	2	24356-010200	O-RING, 4D1020	1							
118	2	26106-060102	BOLT, M6X 10 PLATED	1							
119	2	158553-51770	BOLT	4							

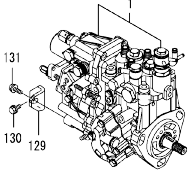
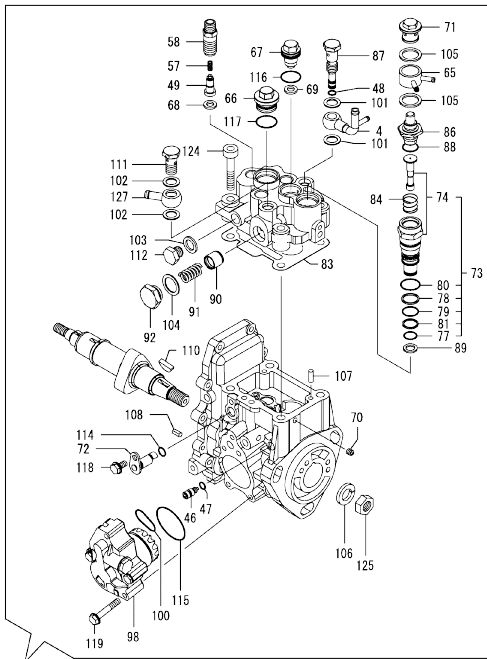
Remarks  
(1) GOVERNOR ASSY(FIG.12) IS INCORPORATED IN THIS FOP.CMP (REF.NO.1).

N:Old  $\frac{New}{Old}$  New, Q:Old  $\frac{New}{Old}$  New, R:Old  $\frac{New}{Old}$  New, S:Old  $\frac{New}{Old}$  New, W:Add, Z:Discontinued, F:Interchangeable by set, K:Q'ty Change  
++ CONTINUE ++  
Copyright (C) YANMAR CO., LTD. All Rights Reserved.

Fig.11. FUEL INJECTION PUMP

(A)=3TNV84-DMW  
(B)=  
(C)=

(D)=  
(E)=  
(F)=

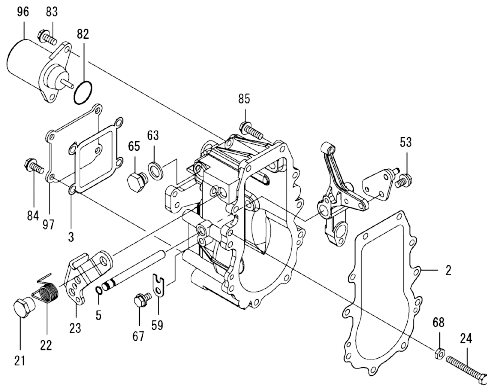


No.	Lev.	Parts No.	Description	Q'ty						
				(A)	(B)	(C)	(D)	(E)	(F)	
124	2	26450-080452	BOLT, M8X 45						4	
125	2	26776-140002	NUT, LOCK M14						1	
127	2	129916-59020	JOINT, PIPE 12						1	
129	1	119802-51250	RETAINER, PUMP						1	
130	1	26106-080162	BOLT, M8X 16 PLATED						1	
131	1	26106-080202	BOLT, M8X 20 PLATED						1	

Remarks  
(1) GOVERNOR ASSY(FIG.12) IS  
INCORPORATED IN THIS FOP.CMP  
(REF.NO.1).



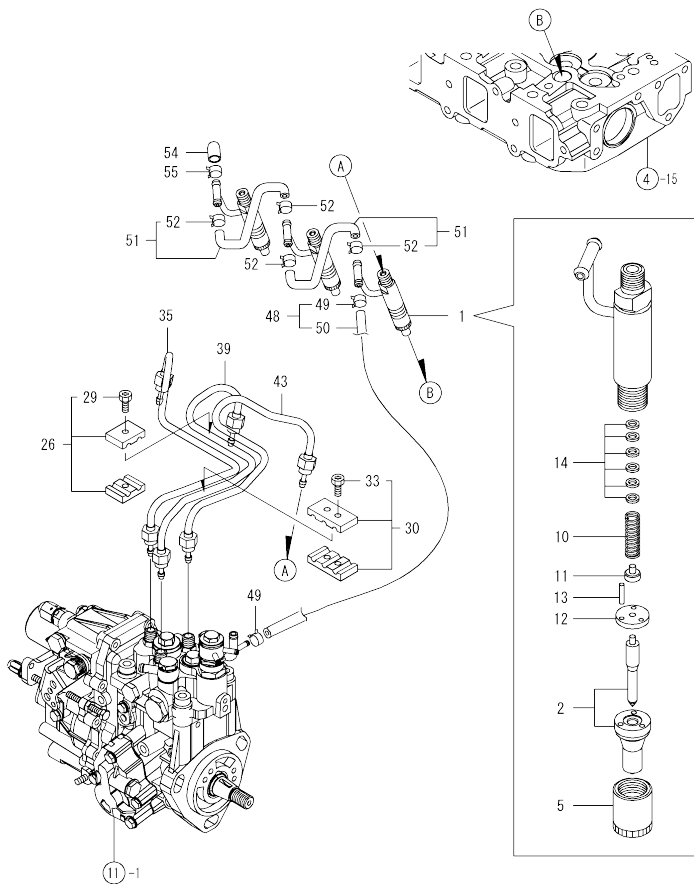
Fig.12. GOVERNOR



No.	Lev.	Parts No.	Description	Q'ty						I	R
				(A)	(B)	(C)	(D)	(E)	(F)		
2	2	158553-61050	GASKET	1							
3	2	158553-61070	GASKET	1							
5	2	129155-51280	O-RING, S6	1							
21	2	129255-61410	NUT, LOCK	1							
22	2	119807-61420	SPRING, RETURN	1							
23	2	158552-61441	LEVER, REGULATOR	1							
24	2	129155-61460	BOLT, IDLE	1							
53	2	26106-060102	BOLT, M6X 10 PLATED	1							
59	2	119660-61901	RETAINER, SHAFT	1							
63	2	22190-120000	WASHER, SEAL 12	1							
65	2	23887-120002	PLUG, 12	1							
67	2	26106-060102	BOLT, M6X 10 PLATED	1							
68	2	26756-060002	NUT, LOCK M6	1							
82	2	24341-000280	O-RING, 1AS28.0	1							
82-1	2	158552-61900	O-RING	1							N
(A=EXXXXX)											
83	2	26106-060142	BOLT, M6X 14 PLATED	2							
84	2	26106-060142	BOLT, M6X 14 PLATED	4							
85	2	26106-060202	BOLT, M6X 20 PLATED	10							
96	2	119233-77932	SOLENOID, STOP	1							
97	2	129642-61060	COVER, GOVERNOR CASE	1							

Remarks  
 \* THIS FIGURE(GOVERNOR ASSY)IS  
 INCORPORATED IN THE FUEL INJECTION  
 PUMP ASSY(FIG.11).

Fig.13. FUEL INJECTION VALVE

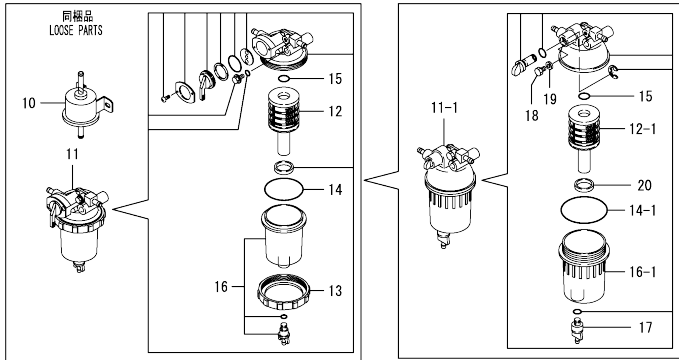
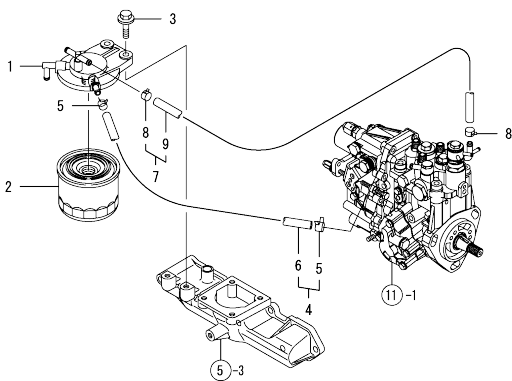


(A)=3TNV84-DMW  
(B)=  
(C)=

(D)=  
(E)=  
(F)=

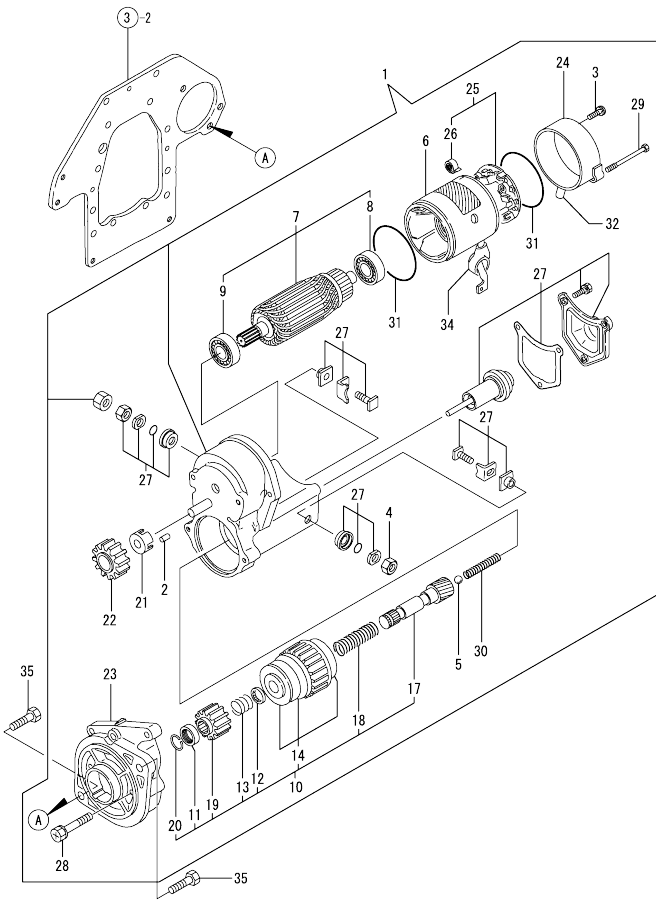
No.	Lev.	Parts No.	Description	Q'ty						I	R
				(A)	(B)	(C)	(D)	(E)	(F)		
1	1	729004-53101	VALVE ASSY,INJECTION	3							
2	2	129004-53001	VALVE ASSY,INJECTION	3							
5	2	114250-53080	NUT, NOZZLE D16.95	3							
10	2	114250-53120	SPRING, NOZZLE	3							
11	2	114250-53130	SEAT, SPRING	3							
12	2	114250-53140	PLATE	3							
13	2	114250-53210	PIN	6							
14	2	114250-53400	SHIM SET	3							
26	1	119305-59120	RETAINER, PIPE	1							
29	2	129150-59131	BOLT, M4X14	1							
30	1	129150-59120	RETAINER, PIPE	1							
33	2	129150-59131	BOLT, M4X14	2							
35	1	129004-59810	PIPE ASSY, INJECTION	1							
39	1	129004-59820	PIPE ASSY, INJECTION	1							
43	1	129004-59830	PIPE ASSY, INJECTION	1							
48	1	119802-59550	PIPE ASSY, RETURN	1							
49	2	124722-59050	CLIP, HOSE 9	2							
50	2	119802-59560	PIPE, FUEL RETURN	1							
51	1	129486-59551	PIPE ASSY, RETURN	2							
52	2	124722-59050	CLIP, HOSE 9	4							
54	1	119593-59580	CAP	1							
55	1	124060-77680	CLIP, HOSE 10	1							

Fig.14. FUEL LINE



No.	Lev.	Parts No.	Description	Q'ty						I	R
				(A)	(B)	(C)	(D)	(E)	(F)		
1	1	129004-55611	BRACKET, FILTER	1							
2	1	119802-55800	FILTER, FUEL	1							
3	1	26106-080302	BOLT, M8X 30 PLATED	2							
4	1	129210-59100	PIPE ASSY, FUEL	1							
5	2	124766-59050	CLIP, HOSE 12	2							
6	2	105025-59580	PIPE, FUEL	1							
7	1	129210-59230	PIPE ASSY, FUEL	1							
8	2	124766-59050	CLIP, HOSE 12	2							
9	2	129555-59511	PIPE, FUEL	1							
10	1	119225-52102	PUMP ASSY, FUEL FEED	1							
11	1	119802-55700	SEPARATOR ASSY	1							
11-1	1	129242-55700	SEPARATOR ASSY	1							N
(A=2008.08.)											
12	2	119802-55710	ELEMENT	1							
12-1	2	129242-55730	ELEMENT	1							S
(A=2008.08.)											
13	2	129100-55690	RING, RETAINING	1							Z
(A=2008.08.)											
14	2	24321-000650	O-RING, 1AG65.0	1							
14-1	2	24321-000750	O-RING, 1AG75.0	1							S
(A=2008.08.)											
15	2	24311-000160	O-RING, 1AP16.0	1							
16	2	119802-55730	CUP ASSY	1							W
(A=FROM 1ST)											
16-1	2	129242-55720	CUP	1							S
(A=2008.08.)											
17	2	129242-55740	PLUG, DRAIN	1							W
(A=2008.08.)											
18	2	129242-55750	VALVE, AIR VENT	1							W
(A=2008.08.)											
19	2	129242-55760	GASKET	1							W
(A=2008.08.)											
20	2	129242-55770	FLOAT	1							W
(A=2008.08.)											

Fig.15. STARTING MOTOR



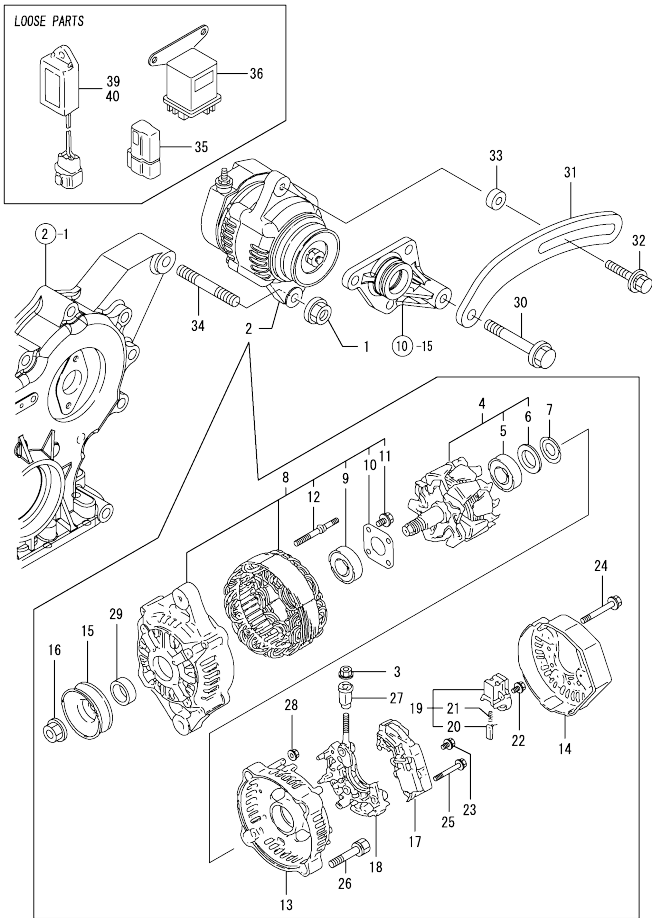
(A)=3TNV84-DMW  
(B)=  
(C)=

(D)=  
(E)=  
(F)=

No.	Lev.	Parts No.	Description	Q'ty						I	R
				(A)	(B)	(C)	(D)	(E)	(F)		
1	1	129129-77010	STARTER ASSY	1							
2	2	X0283060061	ROLLER	5							
3	2	129129-77460	SCREW	2							
4	2	X9490561370	NUT	1							
5	2	X9491200240	BALL	1							
6	2	129129-77210	YOKE ASSY	1							
7	2	129129-77220	ARMATURE ASSY	1							
8	3	129129-77230	BEARING	1							
9	3	129129-77240	BEARING	1							
10	2	129129-77250	STARTER	1							
11	3	X0280210230	NUT	1							
12	3	X0283270140	RETAINER	1							
13	3	X9491703371	SPRING, COIL	1							
14	3	129129-77390	CLUTCH ASSY, STARTER	1							
17	3	129129-77400	SHAFT	1							
18	3	129129-77410	SPRING, COIL	1							
19	3	129129-77420	PINION	1							
20	3	129129-77430	RING	1							
21	2	129129-77260	RETAINER	1							
22	2	129129-77270	PINION	1							
23	2	129129-77280	HOUSING	1							
24	2	129129-77290	FRAME	1							
25	2	129129-77300	HOLDER ASSY	1							
26	3	X9491730461	SPRING	4							
27	2	129129-77310	SWITCH ASSY	1							
28	2	129129-77320	BOLT	2							
29	2	129129-77330	BOLT	2							
30	2	129129-77340	SPRING	1							
31	2	129129-77350	O-RING	2							
32	2	129129-77362	COVER	1							
34	2	129129-77380	CAP	1							
35	1	26116-120252	BOLT, M12X 25 PLATED	2							

N:Old  $\frac{New}{100}$  New, Q:Old  $\frac{New}{100}$  New, R:Old  $\frac{New}{100}$  New, S:Old  $\frac{New}{100}$  New, W:Add, Z:Discontinued, F:Interchangeable by set, K:Q'ty Change  
Copyright (C) YANMAR CO., LTD. All Rights Reserved.

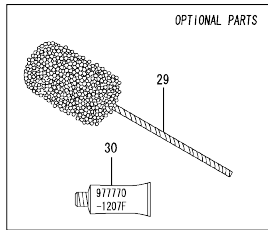
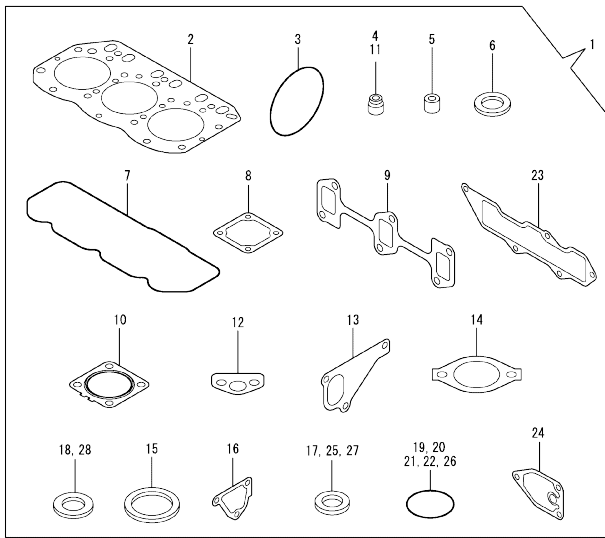
Fig.16. GENERATOR



No.	Lev.	Parts No.	Description	Q'ty					
				(A)	(B)	(C)	(D)	(E)	(F)
1	1	26306-100002	NUT, M10	1					
2	1	119620-77201	GENERATOR, 40A	1					
3	2	X9490561001	NUT	1					
4	2	119620-77380	ROTOR ASSY	1					
5	3	119620-79240	BALL BEARING	1					
6	3	119620-79250	COVER, BEARING	1					
7	2	119620-79360	WASHER, THRUST	1					
8	2	119620-77421	FRAME ASSY, DRIVE	1					
9	3	119620-79200	BALL BEARING	1					
10	3	119620-79210	PLATE	1					
11	3	119620-79220	SCREW	4					
12	3	119620-79230	BOLT, STUD	2					
13	2	119620-77440	FLAME ASSY, REAR	1					
14	2	119620-77450	COVER	1					
15	2	119620-77461	PULLEY	1					
16	2	119620-77471	NUT	1					
17	2	119620-77710	REGULATOR ASSY	1					
18	2	119620-79260	HOLDER	1					
19	2	119620-79270	HOLDER, BRUSH	1					
20	3	119620-77480	BRUSH ASSY	2					
21	3	119620-79280	SPRING	2					
22	2	119620-79290	SCREW	6					
23	2	119620-79300	SCREW	1					
24	2	119620-79310	BOLT	3					
25	2	119620-79320	SCREW W/WASHER	2					
26	2	119620-79330	BOLT	2					
27	2	119620-79340	INSULATION BUSH	1					
28	2	119620-79350	NUT	2					
29	2	119620-77490	COLLAR	1					
30	1	26106-080452	BOLT, M8X 45 PLATED	1					
31	1	119802-77330	ADJUSTER	1					
32	1	129972-77341	BOLT, ADJUSTER L=50	1					
33	1	119940-77270	SPACER, GENERATOR	1					
34	1	129795-01900	STUD	1					
35	1	119643-66900	DIODE	1					
36	1	119650-77910	RELAY ASSY, GLOW	1					
39	1	128300-77920	TIMER	1					
40	1	129211-77920	TIMER	1					

N:Old  $\frac{100}{100}$  New, Q:Old  $\frac{100}{100}$  New, R:Old  $\frac{100}{100}$  New, S:Old  $\frac{100}{100}$  New, W:Add, Z:Discontinued, F:Interchangeable by set, K:Q'ty Change  
 Copyright (C) YANMAR CO., LTD. All Rights Reserved.

Fig.17. GASKET SET



(A)=3TNV84-DMW  
(B)=  
(C)=

(D)=  
(E)=  
(F)=

No.	Lev.	Parts No.	Description	Q'ty						I	R	
				(A)	(B)	(C)	(D)	(E)	(F)			
1	1	729001-92980	GASKET SET	1							1	
2	2	129002-01331	GASKET, HEAD	1								
3	2	121850-51960	O-RING	1								
4	2	124460-11340	SEAL, VALVE STEM	3								
5	2	119802-11870	PROTECTOR, NOZZLE	3								
6	2	119625-11880	SEAT, NOZZLE	3								
7	2	129004-11310	GASKET, BONNET	1								
8	2	129150-77511	GASKET	1								
9	2	129150-13110	GASKET	1								
10	2	129004-13200	GASKET, SILENCER	1								
11	2	121400-11340	SEAL, VALVE STEM	3								
12	2	129150-35042	GASKET	1								
13	2	129486-42021	GASKET, WATER PUMP	1								
14	2	129795-49551	GASKET	1								
15	2	129150-49811	GASKET, THERMOSTAT	1								
16	2	124395-49840	GASKET	1								
17	2	22190-080002	WASHER, SEAL 6	2								
18	2	124465-44950	GASKET, 16	2								
19	2	24311-000120	O-RING, 1AP12.0	3								
20	2	24311-000320	O-RING, 1AP32.0	2								
21	2	24341-000240	O-RING, 1AS24.0	1								
22	2	129486-42140	O-RING, G30	1								
23	2	129001-12110	GASKET, MANIFOLD	1								
24	2	129150-35111	GASKET	1								
25	2	22190-220002	WASHER, SEAL 22	1								
26	2	119609-32040	O-RING, P16	4								
27	2	22190-100002	WASHER, SEAL 10	2								
28	2	23414-080000	GASKET, 8X1.0	1								
29	1	129400-92430	HONE	1								1
30	1	977770-1207F	GASKET, LIQUID	1								1

Remarks  
(1) OPTIONAL PART.

N:Old  $\frac{100}{100}$  New, Q:Old  $\frac{100}{100}$  New, R:Old  $\frac{100}{100}$  New, S:Old  $\frac{100}{100}$  New, W:Add, Z:Discontinued, F:Interchangeable by set, K:Qty Change  
Copyright (C) YANMAR CO., LTD. All Rights Reserved.

## Parts No. Index

Parts No.	Fig. No.	Ref. No.
105025-59580	14	6
114250-39450	9	12
114250-53080	13	5
114250-53120	13	10
114250-53130	13	11
114250-53140	13	12
114250-53210	13	13
114250-53400	13	14
119131-18320	6	3
119225-52102	14	10
119233-77932	12	96
119305-59120	13	26
119593-59580	13	54
119609-32040	2	17
	17	26
119620-77201	16	2
119620-77380	16	4
119620-77421	16	8
119620-77440	16	13
119620-77450	16	14
119620-77461	16	15
119620-77471	16	16
119620-77480	16	20
119620-77490	16	29
119620-77710	16	17
119620-79200	16	9
119620-79210	16	10
119620-79220	16	11
119620-79230	16	12
119620-79240	16	5
119620-79250	16	6
119620-79260	16	18
119620-79270	16	19
119620-79280	16	21
119620-79290	16	22
119620-79300	16	23
119620-79310	16	24
119620-79320	16	25
119620-79330	16	26
119620-79340	16	27
119620-79350	16	28
119620-79360	16	7
119625-11880	4	32
	17	6
119640-01640	3	9
119643-66900	16	35
119650-77910	16	36
119660-61901	12	59
119802-01520	2	12
119802-01560	2	13

Parts No.	Fig. No.	Ref. No.
119802-03110	4	43
119802-03121	4	44
119802-03130	4	45
119802-03141	4	46
119802-11260	4	6
119802-11270	4	7
119802-11280	4	8
119802-11870	4	55
	17	5
119802-21202	8	5
119802-25051	7	10
119802-25070	7	14
119802-25100	7	11
119802-25901	7	17
119802-32070	2	8
119802-32100	2	7
119802-32111	2	18
119802-32120	2	19
119802-32130	2	20
119802-35100	9	6
119802-35110	9	7
119802-39450	9	14
119802-49113	10	10
119802-49730	10	37
119802-51090	11	110
119802-51250	11	129
119802-51560	11	67
119802-51590	11	73
119802-51600	11	74
119802-51680	11	78
119802-51690	11	79
119802-55700	14	11
119802-55710	14	12
119802-55730	14	16
119802-55800	14	2
119802-59550	13	48
119802-59560	13	50
119802-77330	16	31
119807-61420	12	22
119820-01600	3	2
119865-21600	8	15
119940-77270	16	33
120130-11860	4	19
120270-54410	4	34
121023-01550	2	28
121111-21501	8	12
121250-44901	10	43
121400-11340	4	28
	17	11
121450-42450	10	31

Parts No.	Fig. No.	Ref. No.
121520-34810	9	2
121550-23200	8	29
121850-21680	8	11
121850-42410	10	8
121850-51960	2	21
	17	3
123900-13610	6	5
123900-13630	6	4
124060-01050	1	5
124060-77680	13	55
124160-01751	2	14
	4	39
124160-01910	1	7
		8
124160-11360	4	52
124160-39140	9	13
124240-01871	2	15
124395-49840	10	17
	17	16
124460-11340	4	29
	17	4
124465-44950	10	33
	17	18
124722-59050	10	38
		41
	13	49
		52
124766-59050	14	5
		8
128300-77920	16	39
129001-01250	1	6
129001-02930	1	25
129001-12110	5	5
	17	23
129001-32330	2	11
129001-91841	2	22
129002-01331	1	33
	17	2
129004-01190	1	31
129004-03010	4	41
129004-11101	4	24
129004-11241	4	3
129004-11251	4	4
129004-11310	4	49
	17	7
129004-11350	4	40
129004-11650	4	10
129004-11700	4	15
129004-11900	4	33
129004-13109	6	1

Parts No.	Fig. No.	Ref. No.
129004-13200	6	7
	17	10
129004-21002	8	1
129004-21650	8	9
129004-22080	8	16
129004-22500	8	18
129004-22900	8	34
129004-22950	8	36
129004-42001	10	1
129004-42040	10	15
129004-49610	10	35
129004-49620	10	39
129004-49711	10	36
129004-49721	10	40
129004-53001	13	2
129004-55611	14	1
129004-59810	13	35
129004-59820	13	39
129004-59830	13	43
129005-03080	5	1
129005-12100	5	3
129005-34802	9	1
129005-59830	9	15
129100-01580	3	1
		15
	8	2
129100-01640	3	16
129100-01730	3	6
129100-11111	4	25
129100-23910	8	28
129100-35140	9	8
129100-42051	10	3
129100-42121	10	4
129100-55690	14	13
129120-77501	5	8
129129-14580	7	3
129129-77010	15	1
129129-77210	15	6
129129-77220	15	7
129129-77230	15	8
129129-77240	15	9
129129-77250	15	10
129129-77260	15	21
129129-77270	15	22
129129-77280	15	23
129129-77290	15	24
129129-77300	15	25
129129-77310	15	27
129129-77320	15	28
129129-77330	15	29

## Parts No. Index

Parts No.	Fig. No.	Ref. No.	Parts No.	Fig. No.	Ref. No.	Parts No.	Fig. No.	Ref. No.	Parts No.	Fig. No.	Ref. No.
129129-77340	15	30	129211-77920	16	40	158553-51551	11	65	23414-080000	17	28
129129-77350	15	31	129242-55700	14	11 -1	158553-51630	11	84	23857-030000	9	16
129129-77362	15	32	129242-55720	14	16 -1	158553-51640	11	86	23857-060000	11	111
129129-77380	15	34	129242-55730	14	12 -1	158553-51660	11	88	23876-010000	10	11
129129-77390	15	14	129242-55740	14	17	158553-51670	11	77	23876-020000	10	12
129129-77400	15	17	129242-55750	14	18	158553-51680	11	89	23876-030000	2	4
129129-77410	15	18	129242-55760	14	19	158553-51770	11	119	23876-040000	2	5
129129-77420	15	19	129242-55770	14	20	158553-61050	12	2	23887-120002	11	112
129129-77430	15	20	129255-61410	12	21	158553-61070	12	3		12	65
129129-77460	15	3	129335-44740	10	22	158557-51570	11	70	24311-000070	11	114
129150-01200	1	32	129350-49530	10	27	158560-51300	11	49	24311-000120	4	53
129150-02020	1	10	129400-92430	17	29	158563-51281	11	47		17	19
129150-02450	7	4	129403-42380	10	20			48	24311-000160	14	15
129150-02870	1	34	129410-03990	5	2	158563-51330	11	57	24311-000320	2	23
129150-02930	1	28	129418-32320	2	10	158600-51270	11	46		4	54
129150-02940	1	37	129486-01670	3	19	158601-51340	11	58		17	20
129150-03070	4	42	129486-42021	10	14	158601-51550	11	66	24321-000650	14	14
129150-11230	4	11		17	13	158601-51570	11	71	24321-000750	14	14 -1
129150-11280	4	9	129486-42140	10	16	158601-51650	11	87	24341-000240	2	29
129150-11370	4	14		17	22	158601-51770	11	90		17	21
129150-11750	4	13	129486-59551	13	51	158601-51790	11	92	24341-000280	12	82
129150-11810	4	21	129555-59511	14	9	171051-01921	1	9	24356-010180	11	116
129150-13110	6	2	129642-61060	12	97	171056-49120	10	32	24356-010200	11	80
	17	9	129795-01780	3	18	171340-21580	8	13			117
129150-14101	7	7	129795-01800	2	6	171353-44760	10	23	24372-000150	11	81
129150-14200	7	1	129795-01900	16	34	22190-080002	9	17	25132-003800	10	21
129150-14400	7	2	129795-01950	2	16			18	26106-060102	11	118
129150-23600	8	30	129795-02411	1	13			17		12	53
129150-23610	8	32	129795-11120	4	26	22190-100002	9	19			67
129150-25301	7	16	129795-11180	4	27			17			27
129150-35042	9	3	129795-21661	8	10	22190-120000	12	63	26106-060142	12	83
	17	12	129795-49551	10	28	22190-120002	11	101			84
129150-35091	9	4		17	14			102	26106-060162	2	30
129150-35111	9	9	129900-07900	4	1			103	26106-060202	12	85
	17	24	129900-32130	2	9	22190-180002	11	104	26106-060402	10	24
129150-35170	9	10	129916-49740	10	13			105	26106-080122	10	42
129150-49811	10	26	129916-59020	11	127	22190-220002	3	11	26106-080142	7	9
	17	15	129972-77341	16	32			17	26106-080162	2	24
129150-59120	13	30	158552-51151	7	18	22217-140000	7	19			3
129150-59131	13	29	158552-51570	11	68			11			12
		33			69			8			4
129150-77511	5	9	158552-51580	11	72	22252-000260	8	23			10
	17	8	158552-51600	11	83	22312-050140	11	107			18
129155-49801	10	25	158552-51670	11	4	22351-030010	8	8	26106-080202	5	6
129155-51280	12	5	158552-51780	11	91	22351-050010	11	108			9
129155-61460	12	24	158552-52100	11	98	22351-060012	4	35			11
129175-01770	3	8	158552-52310	11	100	22512-070140	7	8	26106-080222	10	29
129202-22300	8	22	158552-52400	11	115			8	26106-080252	3	13
129210-59100	14	4	158552-61441	12	23	22857-500100	4	50			4
129210-59230	14	7	158552-61900	12	82 -1			51	26106-080302	14	3
						23414-080000	10	30	26106-080352	3	20



## Parts No. Index

Parts No.	Fig. No.	Ref. No.
26106-080352	4	37
	5	10
	9	5
26106-080402	7	15
26106-080452	3	14
		14 -1
	10	34
	16	30
26106-080502	3	21
	4	38
26106-080552	2	26
26106-080602	10	19
26106-080802	5	7
26116-120252	15	35
26206-100202	3	4
26206-100252	3	5
26306-080002	2	27
	6	6
26306-100002	16	1
26366-060002	9	20
26450-080452	11	124
26756-060002	12	68
26776-140002	7	20
	11	125
27241-120000	1	14
27241-300000	1	15
27241-400000	4	23
27310-080001	4	30
719802-01500	2	1
729001-92980	17	1
729004-01560	1	1
729004-53101	13	1
729233-51390	11	1
729402-23100	8	24
977770-1207F	2	31
	3	3
	4	56
	17	30
X0280210230	15	11
X0283060061	15	2
X0283270140	15	12
X9490561001	16	3
X9490561370	15	4
X9491200240	15	5
X9491703371	15	13
X9491730461	15	26

Parts No.	Fig. No.	Ref. No.
-----------	----------	----------

Parts No.	Fig. No.	Ref. No.
-----------	----------	----------

Parts No.	Fig. No.	Ref. No.
-----------	----------	----------