

0CD10-M90501EN

# P R E F A C E

This parts catalog is the 2nd edition of 3TNV84-GDGUS for DENYO Co., Ltd..

Published : March, 2020

## Contents

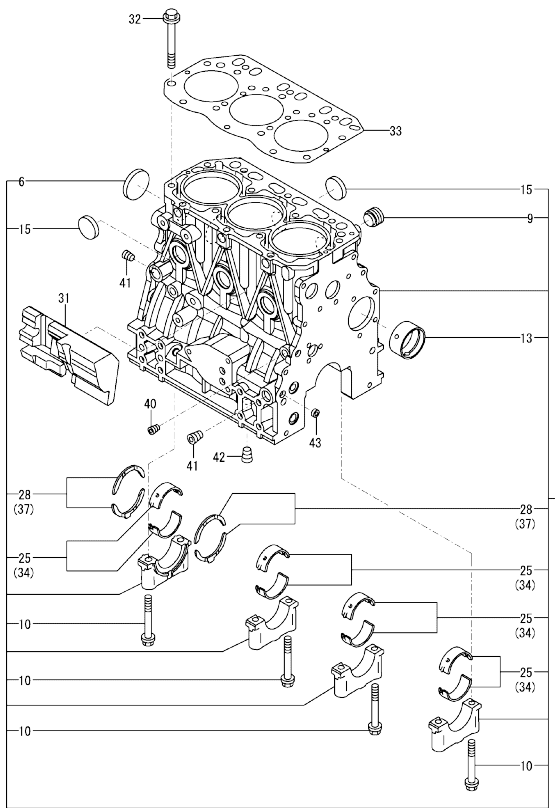
OCD10-M90501

Fig. No.	Fig. Name	Fig. No.	Fig. Name
ENGINE			
1.	CYLINDER BLOCK		
2.	GEAR HOUSING		
3.	FLYWHEEL HOUSING & OIL SUMP		
4.	CYLINDER HEAD & BONNET		
5.	SUCTION MANIFOLD		
6.	EXHAUST MANIFOLD		
7.	CAMSHAFT & DRIVING GEAR		
8.	CRANKSHAFT & PISTON		
9.	LUB. OIL SYSTEM		
10.	COOLING WATER SYSTEM		
11.	FUEL INJECTION PUMP		
12.	GOVERNOR		
13.	FUEL INJECTION VALVE		
14.	FUEL PIPE		
15.	STARTER MOTOR		
16.	GENERATOR		
17.	ELECTRIC PARTS		
18.	GASKET SET		

Fig.1. CYLINDER BLOCK

(A)=3TNV84-GDGUS  
(B)=  
(C)=

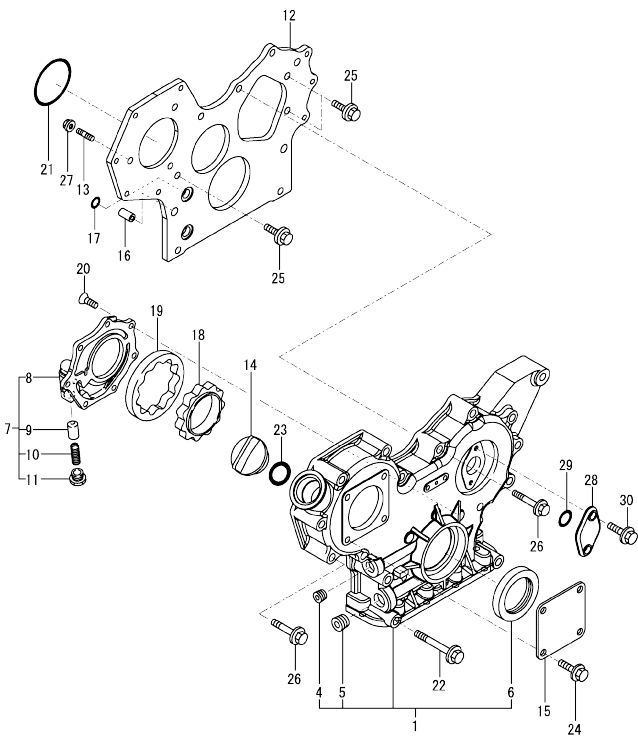
(D)=  
(E)=  
(F)=



No.	Lev.	Parts No.	Description	Q'ty						I	R
				(A)	(B)	(C)	(D)	(E)	(F)		
1	1	729004-01560	BLOCK ASSY, CYLINDER	1							
6	2	129001-01250	PLUG, 50	1							
9	2	171051-01921	PLUG, NPTF1	1							
10	2	129150-02020	BOLT, METAL CAP	8							
13	2	129795-02412	BUSH, CAMSHAFT	1							
15	2	27241-300000	PLUG 30	6							
25	2	129001-02931	METAL ASSY, MAIN	4							3
28	2	129150-02931	METAL ASSY, THRUST	2							
31	1	129004-01190	SPACER	1							
32	1	129150-01200	BOLT, CYLINDER HEAD	14							
33	1	129002-01331	GASKET, HEAD	1							
34	1	129150-02871	METAL ASSY, MAIN .25	4							1
37	1	129150-02941	METAL ASSY, 0.25 OS	1							2
40	1	124060-01050	PLUG, PT1/8	1							
41	1	124160-01910	PLUG, PT1/4	2							
42	1	124160-01910	PLUG, PT1/4	1							
43	1	27241-120000	PLUG, 12	2							

Remarks  
(1)Under-sized(U.S.=0.25) parts.  
(2)Over-sized(O.S.=0.25) parts.  
(3)Spare parts.

Fig.2. GEAR HOUSING

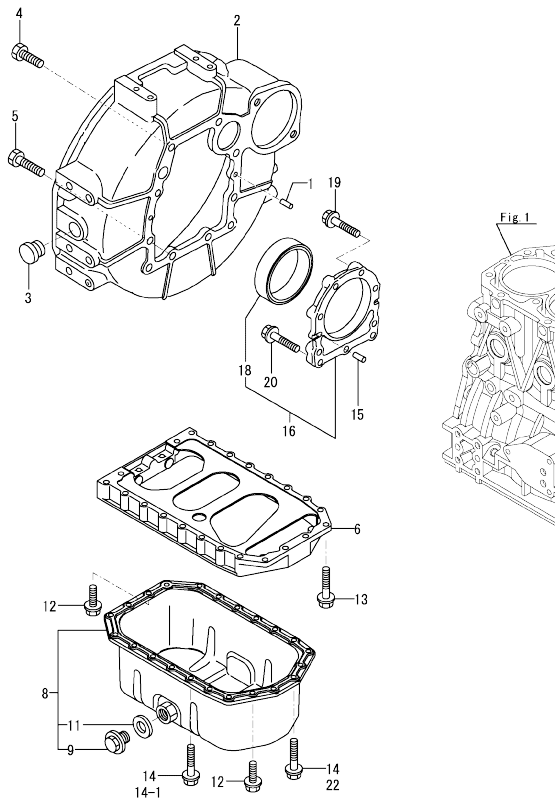


(A)=3TNV84-GDGUS  
(B)=  
(C)=

(D)=  
(E)=  
(F)=

No.	Lev.	Parts No.	Description	Q'ty						I	R
				(A)	(B)	(C)	(D)	(E)	(F)		
1	1	719802-01500	CASE ASSY, GEAR	1							
4	2	23876-030000	PLUG, R03	1							
5	2	23876-040000	PLUG, R04	1							
6	2	129795-01800	SEAL, OIL	1							
6-1	2	119934-01800	SEAL, OIL	1							N
(A=E34847)											
7	1	119802-32100	COVER ASSY, PUMP	1							
8	2	119802-32070	COVER, OIL PUMP	1							
9	2	129900-32130	VALVE, RELIEF	1							
10	2	129418-32320	SPRING	1							
11	2	129001-32330	PLUG	1							
12	1	119802-01520	FLANGE, GEAR CASE	1							
13	1	119802-01561	STUD, M8X25	3							
14	1	124160-01751	CAP, FILLER	1							
15	1	124240-01871	COVER, HYDRAULIC PUMP	1							
16	1	129795-01950	PIPE, KNOCK L=18	2							
17	1	119609-32040	O-RING, P16	4							
18	1	119802-32111	ROTOR, INNER	1							
19	1	119802-32120	ROTOR, OUTER	1							
20	1	119802-32130	SCREW, M6X16	7							
21	1	121850-51960	O-RING, FUEL PUMP	1							
22	1	129001-91841	BOLT, M8X87	3							
22-1	1	26106-080852	BOLT, M8X 85 PLATED	3							R
(A=E40769)											
23	1	24311-000320	O-RING, 1AP32.0	1							
24	1	26106-080162	BOLT, M8X 16 PLATED	4							
25	1	26106-080162	BOLT, M8X 16 PLATED	3							
26	1	26106-080552	BOLT, M8X 55 PLATED	12							
27	1	26306-080002	NUT, M8	3							
28	1	121023-01551	COVER, TACHOMETER	1							
29	1	24341-000240	O-RING, 1AS24.0	1							
30	1	26106-060162	BOLT, M6X 16 PLATED	2							

Fig.3. FLYWHEEL HOUSING & OIL SUMP



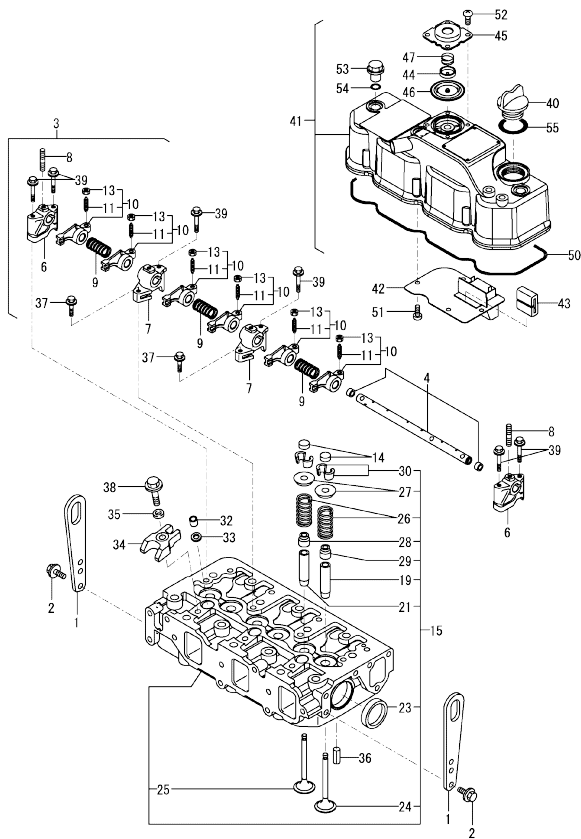
(A)=3TNV84-GDGUS  
(B)=  
(C)=

(D)=  
(E)=  
(F)=

No.	Lev.	Parts No.	Description	Q'ty						I	R
				(A)	(B)	(C)	(D)	(E)	(F)		
1	1	129100-01580	PIN, PARALLEL 8X16	2							
2	1	171420-01600	HOUSING, FLYWHEEL	1							
3	1	119620-01750	CAP, WHEEL COVER	1							
4	1	26206-100252	BOLT, M10X 25 PLATED	6							
5	1	26206-100302	BOLT, M10X 30 PLATED	4							
6	1	129100-01730	SPACER, OIL PAN	1							
8	1	129100-01760	OIL PAN ASSY	1							
9	2	119640-01640	PLUG, DRAIN M22	1							
11	2	22190-220002	WASHER, SEAL 22	1							
12	1	26106-080162	BOLT, M8X 16 PLATED	4							
13	1	26106-080252	BOLT, M8X 25 PLATED	2							
14	1	26106-080452	BOLT, M8X 45 PLATED	20							
14-1	1	26106-080452	BOLT, M8X 45 PLATED	16							K
		(A=E27326)									
15	1	129100-01580	PIN, PARALLEL 8X16	2							
16	1	129100-01640	CASE ASSY, OIL SEAL	1							
18	2	129795-01780	SEAL, OIL	1							
19	1	129486-01670	BOLT, M8X30	6							
20	1	26106-080352	BOLT, M8X 35 PLATED	3							
22	1	26106-080502	BOLT, M8X 50 PLATED	4							W
		(A=E27326)									

Fig.4. CYLINDER HEAD & BONNET

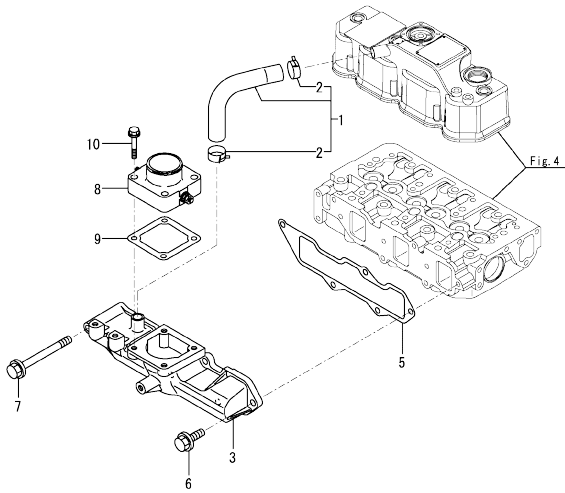
(A)=3TNV84-GDGUS  
(D)=  
(E)=  
(F)=



No.	Lev.	Parts No.	Description	Q'ty						I	R
				(A)	(B)	(C)	(D)	(E)	(F)		
1	1	129900-07900	LIFTER, ENGINE	2							
2	1	26106-080162	BOLT, M8X 16 PLATED	4							
3	1	129004-11241	SHAFT ASSY, ROCKER	1							
4	2	129004-11251	SHAFT, ROCKER ARM	1							
6	2	119802-11260	SUPPORT, ROCKER ARM	2							
7	2	119802-11270	SUPPORT, ROCKER ARM	2							
8	2	119802-11280	BOLT, STUD	3							
9	2	129150-11280	SPRING, SHAFT	3							
10	2	129004-11650	ARM ASSY, ROCKER	6							
11	3	129150-11230	SCREW, VALVE ADJUST	6							
13	3	129150-11750	NUT, M8XP1.0	6							
14	1	129150-11370	CAP, VALVE	6							
15	1	129004-11700	HEAD ASSY, CYLINDER	1							
19	2	120130-11860	GUIDE, VALVE	3							1
21	2	129150-11810	GUIDE, VALVE	3							1
23	2	27241-400000	PLUG, 40	2							
24	2	129004-11130	VALVE, INTAKE	3							
25	2	129100-11112	VALVE, EXHAUST	3							
26	2	129795-11120	SPRING, VALVE	6							
27	2	129795-11180	RETAINER, SPRING	6							
28	2	121400-11340	SEAL, VALVE STEM	3							
29	2	124460-11340	SEAL, VALVE STEM	3							
30	2	27310-080001	COTTER, 8	6							
32	1	119802-11870	PROTECTOR, NOZZLE	3							
33	1	119625-11880	SEAT, NOZZLE	3							
34	1	129004-11900	RETAINER, NOZZLE	3							
35	1	120270-54410	WASHER, INJECTOR	3							
36	1	22351-060012	PIN, SPRING 6.0X12	2							
37	1	26106-080252	BOLT, M8X 25 PLATED	2							
38	1	26106-080352	BOLT, M8X 35 PLATED	3							
39	1	26106-080502	BOLT, M8X 50 PLATED	6							
40	1	124160-01751	CAP, FILLER	1							
41	1	129004-11350	BONNET ASSY, HEAD	1							
42	2	129004-03010	PLATE, BAFFLE	1							
43	2	129150-03070	BAFFLE, BREATHER	1							
44	2	119802-03110	PLATE, DIAPHRAGM	1							
45	2	119802-03121	COVER, DIAPHRAGM	1							
46	2	119802-03130	DIAPHRAGM, BREATHER	1							
47	2	119802-03141	SPRING, DIAPHRAGM	1							
50	2	129004-11310	GASKET, BONNET	1							
51	2	22857-500100	SCREW, 5X10	4							
52	2	22857-500100	SCREW, 5X10	4							
53	1	124160-11360	KNOB, BONNET	3							
54	1	24311-000120	O-RING, 1AP12.0	3							
55	1	24311-000320	O-RING, 1AP32.0	1							

Remarks  
(1)Spare parts.

Fig.5. SUCTION MANIFOLD



(A)=3TNV84-GDGUS  
(B)=  
(C)=

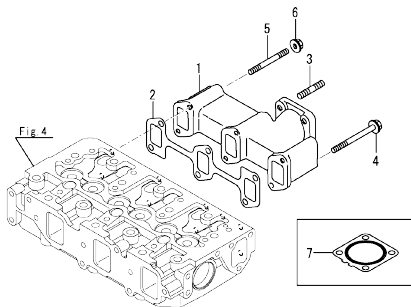
(D)=  
(E)=  
(F)=

No.	Lev.	Parts No.	Description	Q'ty						I	R
				(A)	(B)	(C)	(D)	(E)	(F)		
1	1	129005-03080	HOSE ASSY, BREATHER	1							
2	2	129410-03990	CLAMP, HOSE 21.5	2							
3	1	129005-12100	MANIFOLD, AIR INTAKE	1							
3-1	1	129005-12101	MANIFOLD, INTAKE	1							R
		(A=E38173)									
5	1	129001-12110	GASKET, MANIFOLD	1							
6	1	26106-080202	BOLT, M8X 20 PLATED	4							
7	1	26106-080802	BOLT, M8X 80 PLATED	1							
8	1	129120-77501	HEATER, AIR	1							
8-1	1	129120-77502	HEATER, AIR	1							N
		(A=E32364)									
9	1	129150-77511	GASKET, AIR HEATER	1							
10	1	26106-080352	BOLT, M8X 35 PLATED	4							



OCD10-M90501 ENGINE

Fig.6. EXHAUST MANIFOLD



OCD10-M90501 Fig.6

(A)=3TNV84-GDGUS  
(B)=  
(C)=

(D)=  
(E)=  
(F)=

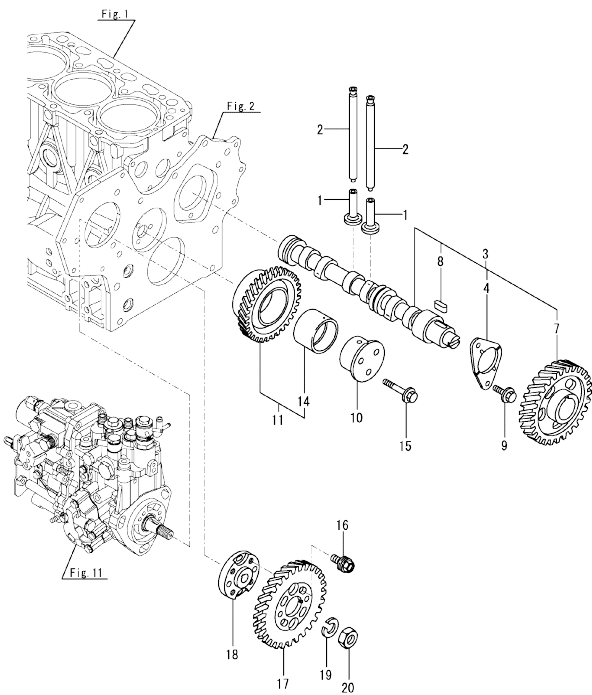
No.	Lev.	Parts No.	Description	Q'ty						I	R
				(A)	(B)	(C)	(D)	(E)	(F)		
1	1	129100-13110	MANIFOLD, EXHAUST	1							
2	1	129150-13110	GASKET, MANIFOLD	1							
3	1	119131-18320	STUD, M8X22	4							
4	1	123900-13630	BOLT, M8X80	4							
4-1	1	129E00-13640	BOLT, M8X80 10.9T	4						N	
			(A=E59925)								
5	1	123900-13610	STUD, M8X80	2							
6	1	26306-080002	NUT, M8	2							
7	1	129004-13200	GASKET, SILENCER	1							1

Remarks

(1) Loose parts.

N:Old  $\frac{100}{100}$  New, Q:Old  $\frac{100}{100}$  New, R:Old  $\frac{100}{100}$  New, S:Old  $\frac{100}{100}$  New, W:Add, Z:Discontinued, F:Interchangeable by set, K:Qty Change  
Copyright (C) 2020 YANMAR GLOBAL CS CO., LTD. All Rights Reserved.

Fig.7. CAMSHAFT & DRIVING GEAR



(A)=3TNV84-GDGUS  
(B)=  
(C)=

(D)=  
(E)=  
(F)=

No.	Lev.	Parts No.	Description	Q'ty						I	R
				(A)	(B)	(C)	(D)	(E)	(F)		
1	1	129150-14200	TAPPET	6							
2	1	129150-14400	ROD, PUSH L=178	6							
3	1	129004-14580	CAMSHAFT ASSY	1							
4	2	129150-02450	METAL, THRUST	1							
7	2	129150-14101	GEAR, CAMSHAFT	1							
8	2	22512-070140	KEY, 7X 14	1							
9	1	26106-080142	BOLT, M8X 14 PLATED	2							
10	1	119802-25051	SHAFT, IDLE GEAR	1							
11	1	119802-25101	GEAR ASSY, IDLE	1							
14	2	119802-25071	BUSH, IDLE GEAR	1							1
15	1	26106-080402	BOLT, M8X 40 PLATED	3							
16	1	129150-25301	BOLT, INJECTION PUMP	4							
17	1	119802-25901	GEAR, PUMP	1							
18	1	158552-51151	FLANGE, CAMSHAFT	1							
19	1	22217-140000	WASHER, SPRING 14	1							
20	1	26776-140002	NUT, LOCK M14	1							

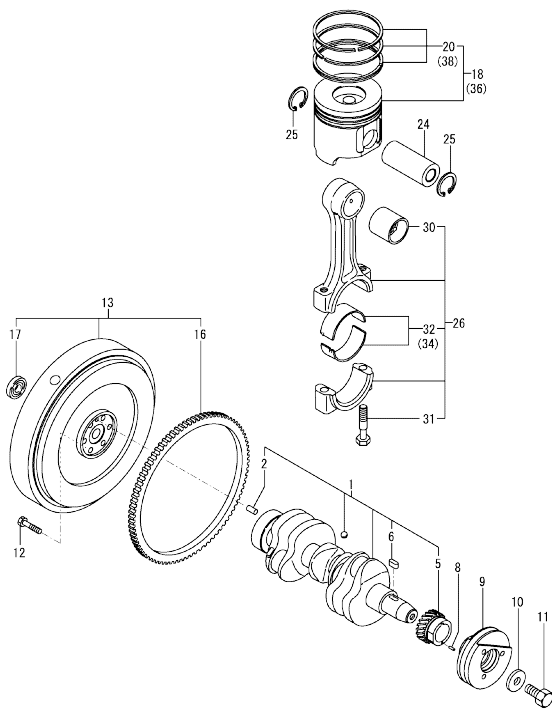
Remarks

(1)Spare parts.

Fig.8. CRANKSHAFT & PISTON

(A)=3TNV84-GDGUS  
(B)=  
(C)=

(D)=  
(E)=  
(F)=

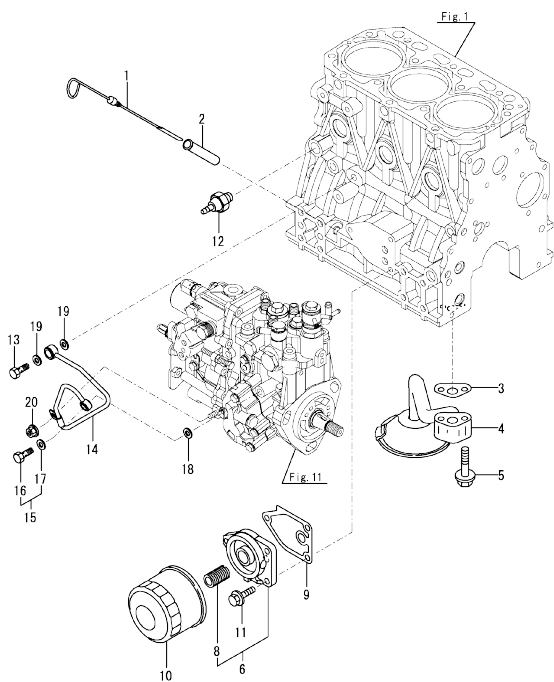


No.	Lev.	Parts No.	Description	Q'ty						I	R
				(A)	(B)	(C)	(D)	(E)	(F)		
1	1	129004-21002	CRANKSHAFT ASSY	1							
2	2	129100-01580	PIN, PARALLEL 8X16	1							
5	2	119802-21202	GEAR, CRANKSHAFT	1							
6	2	22512-070140	KEY, 7X 14	1							
8	1	22351-030010	PIN, SPRING 3.0X10	1							
9	1	129004-21650	V-PULLEY, CRANKSHAFT	1							
10	1	129795-21661	WASHER, 14	1							
11	1	121850-21680	BOLT, V-PULLEY	1							
12	1	121111-21501	BOLT, FLYWHEEL	6							
13	1	129116-21590	FLYWHEEL ASSY	1							
16	2	124550-21600	GEAR, RING Z=127	1							
17	2	24107-060034	BEARING, BALL 6003ZZ	1							
18	1	129004-22080	PISTON ASSY	3							
20	2	129004-22500	RING SET, PISTON	3							
24	1	129202-22300	PIN, PISTON D26 L70	3							
25	1	22252-000260	RING, 26	6							
26	1	729402-23100	ROD ASSY, CONNECTING	3							
30	2	129100-23910	METAL, PISTON PIN	3							1
31	2	121550-23200	BOLT, CONNECTING ROD	6							
32	2	129150-23601	METAL ASSY, CRANK PIN	3							
34	1	129150-23611	METAL, CRANK PIN .25	3							2
36	1	129004-22900	PISTON ASSY, 0.25 OS	3							3
38	2	129004-22950	RING SET, PISTON .25	3							3

Remarks

- (1) Spare parts.
- (2) Under-sized (U.S.=0.25) parts.
- (3) Over-sized (O.S.=0.25) parts.

Fig.9. LUB. OIL SYSTEM



(A)=3TNV84-GDGUS  
(B)=  
(C)=

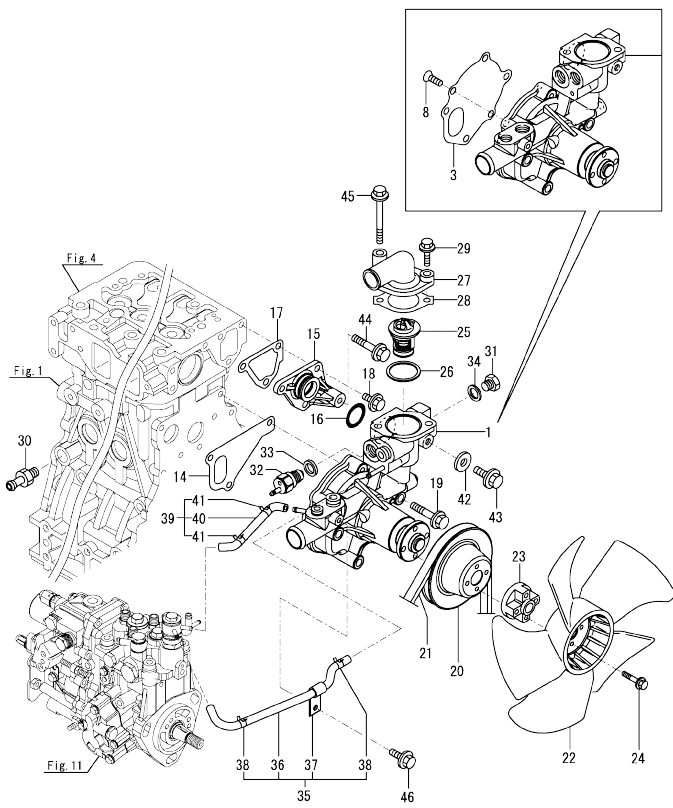
(D)=  
(E)=  
(F)=

No.	Lev.	Parts No.	Description	Q'ty						I	R
				(A)	(B)	(C)	(D)	(E)	(F)		
1	1	129004-34802	DIPSTICK, OIL	1							
2	1	121520-34810	GUIDE, DIPSTICK	1							
3	1	129150-35042	GASKET, INLET PIPE	1							
4	1	129100-35301	PIPE ASSY, OIL INLET	1							
5	1	26106-080352	BOLT, M8X 35 PLATED	2							
6	1	119802-35100	BRACKET ASSY, FILTER	1							
8	2	129100-35140	STUD	1							
9	1	129150-35111	GASKET, BRACKET	1							
10	1	129150-35153	FILTER ASSY, D80X80L	1							1
11	1	26106-080202	BOLT, M8X 20 PLATED	3							
12	1	114250-39450	SWITCH, HYDRAULIC	1							
13	1	124160-39140	BOLT, PIPE JOINT M10	1							
14	1	119802-39450	PIPE ASSY, OIL	1							
15	1	129005-59830	BOLT ASSY, JOINT M8	1							
16	2	23857-030000	BOLT, JOINT 3	1							
17	2	22190-080002	WASHER, SEAL 8	1							
18	1	22190-080002	WASHER, SEAL 8	1							
19	1	22190-100002	WASHER, SEAL 10	2							
20	1	26366-060002	NUT, M6	1							

Remarks

(1)Spare parts.

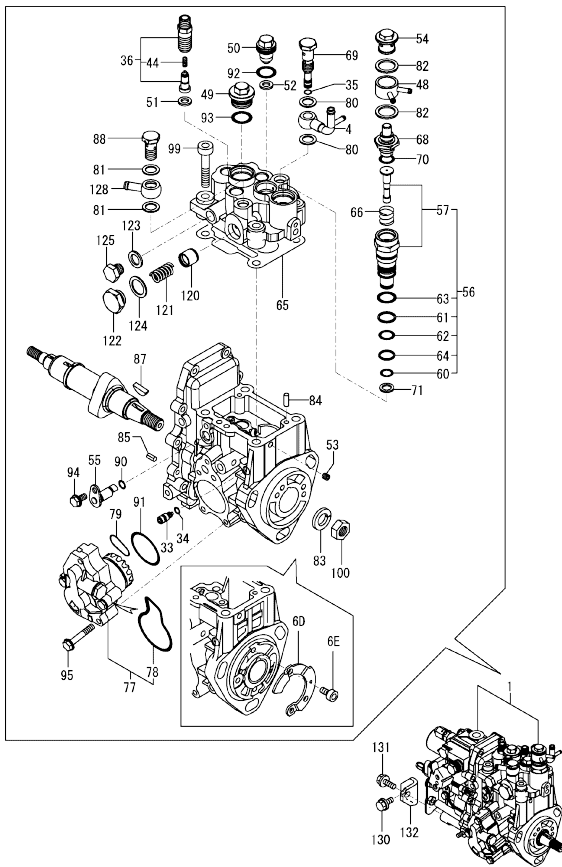
Fig.10. COOLING WATER SYSTEM



No.	Lev.	Parts No.	Description	Q'ty						I	R
				(A)	(B)	(C)	(D)	(E)	(F)		
1	1	129004-42001	PUMP ASSY, WATER	1							
1-1	1	129004-42002 (A=E74913)	PUMP ASSY, CW	1							N
3	2	129100-42051	GASKET, WATER PUMP	1							
8	2	121850-42410	SCREW	3							
8-1	2	26577-060142	SCREW M 6X 14	3							N
		(A=E42175)									
8-2	2	129150-42290 (A=E74913)	SCREW, FLAT M6X15	3							N
14	1	129486-42021	GASKET, WATER PUMP	1							
15	1	129004-42040	JOINT, WATER PIPE	1							
16	1	129486-42140	O-RING, G30	1							
17	1	124395-49840	GASKET, THERMOSTAT	1							
18	1	26106-080162	BOLT, M8X 16 PLATED	3							
19	1	26106-080602	BOLT, M8X 60 PLATED	3							
20	1	129120-42350	V-PULLEY, PUMP	1							
20-1	1	129120-42351 (A=E47345)	V-PULLEY, PUMP	1							N
21	1	129612-42380	V-BELT, A38.5	1							
22	1	119415-44740	FAN, COOLING D=260VC	1							
23	1	121267-44760	SPACER, FAN 18MM	1							
24	1	26106-060302	BOLT, M6X 30 PLATED	4							
25	1	129155-49801	THERMOSTAT, 71C	1							
26	1	129150-49811	GASKET, THERMOSTAT	1							
27	1	124101-49531	COVER, THERMOSTAT	1							
28	1	129795-49551	GASKET, COVER	1							
29	1	26106-080252	BOLT, M8X 25 PLATED	1							
29-1	1	26106-080282 (A=E64221)	BOLT, M8X 28 PLATED	1							N
30	1	121550-49111	JOINT, PT1/4	1							
31	1	121450-42450	PLUG, M16	1							
32	1	121250-44901	SWITCH, TEMPERATURE	1							
33	1	124465-44950	GASKET, 16	1							
34	1	124465-44950	GASKET, 16	1							
35	1	129004-49610	HOSE ASSY, WATER A	1							
36	2	129004-49711	HOSE, WATER A	1							
37	2	119802-49730	RETAINER, PIPE	1							
38	2	124722-59050	CLAMP, HOSE 9	2							
39	1	129004-49620	HOSE ASSY, WATER B	1							
40	2	129004-49721	HOSE, WATER B	1							
41	2	124722-59050	CLAMP, HOSE 9	2							
42	1	23414-080000	GASKET, 8X1.0	1							
43	1	26106-080122	BOLT, M8X 12 PLATED	1							
44	1	26106-080452	BOLT, M8X 45 PLATED	1							
45	1	26106-080652	BOLT, M8X 65 PLATED	1							
46	1	26106-060122 (A=E27326)	BOLT, M6X 12 PLATED	1							W

N:Old  $\frac{100}{100}$  New, Q:Old  $\frac{100}{100}$  New, R:Old  $\frac{100}{100}$  New, S:Old  $\frac{100}{100}$  New, W:Add, Z:Discontinued, F:Interchangeable by set, K:Q'ty Change  
Copyright (C) 2020 YANMAR GLOBAL CS CO., LTD. All Rights Reserved.

Fig.11. FUEL INJECTION PUMP



(A)=3TNV84-GDGUS  
(B)=  
(C)=

(D)=  
(E)=  
(F)=

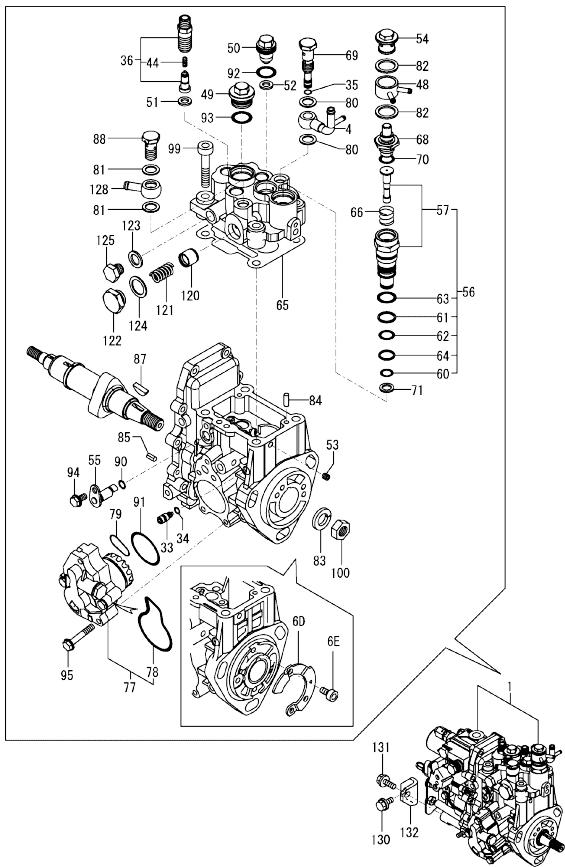
No.	Lev.	Parts No.	Description	Q'ty						I	R
				(A)	(B)	(C)	(D)	(E)	(F)		
1	1	729246-51301	PUMP ASSY, INJECTION	1							1
4	2	158552-51670	JOINT, OVERFLOW	1							
6D	2	129008-51900	COVER, PUMP	1							W
6E	2	129008-51920	BOLT, M6X10	2							W
		(A=E42028)									
		(A=E42028)									
33	2	158600-51270	STOPPER, TAPPET	1							
34	2	158563-51281	O-RING, 4D S6	1							
35	2	158563-51281	O-RING, 4D S6	1							
36	2	129509-51390	VALVE ASSY, DELIVERY	3							W
		(A=E38173)									
44	3	158563-51330	SPRING, DELIVERY	3							
48	2	158553-51551	JOINT, COOLING WATER	1							
49	2	158601-51550	PLUG, M22	1							
50	2	119802-51560	PLUG, BARREL M14	1							
51	2	158552-51570	GASKET, BARREL PLUG	3							
51-1	2	158552-51571	GASKET, BARREL PLUG	3							R
		(A=E38173)									
52	2	158552-51570	GASKET, BARREL PLUG	1							
52-1	2	158552-51571	GASKET, BARREL PLUG	1							R
		(A=E38173)									
53	2	158557-51570	PLUG, RACK	1							
54	2	158601-51570	PLUG	1							
55	2	158552-51580	LIFTER, LINK	1							
56	2	119802-51590	TIMER ASSY	1							
57	3	119802-51600	TIMER ASSY	1							
60	3	158553-51670	O-RING, PUMP TIMER	1							
61	3	119802-51680	RING, BACKUP	1							
62	3	119802-51690	O-RING, 1016	1							
63	3	24356-010200	O-RING, 4D1020	1							
63-1	3	24356-190200	O-RING, 4D19020	1							R
		(A=E43138)									
64	3	24372-000150	RING, BACK UP T2P15	1							
65	2	158552-51600	GASKET, HEAD	1							
66	2	158553-51630	SPRING, TIMER	1							
68	2	158553-51640	ELEMENT, THERMOSTAT	1							
69	2	158601-51650	JOINT, OVERFLOW	1							
70	2	158553-51660	O-RING, P14	1							
71	2	158553-51680	GASKET, TIMER	1							
77	2	158552-52100	PUMP ASSY, FUEL FEED	1							
78	3	158552-52500	O-RING, PUMP INNER	1							
79	2	158552-52310	O-RING, FEED PUMP	1							
79-1	2	158552-52311	O-RING, FEED PUMP	1							R
		(A=E42175)									
80	2	22190-120002	WASHER, SEAL 12	2							
81	2	22190-120002	WASHER, SEAL 12	2							
82	2	22190-180002	WASHER, SEAL 18	2							
83	2	22217-140000	WASHER, SPRING 14	1							
84	2	22312-050140	PIN, PARALLEL 5X14	2							
85	2	22351-050010	PIN, SPRING 5.0X10	2							
87	2	119802-51090	KEY, FEATHER 4X16	1							

Remarks

(1)Governor(Fig.12) is incorporated in this Fuel Injection Pump(No.1).

N:Old  $\frac{New}{Old}$  New, Q:Old  $\frac{New}{Old}$  New, R:Old  $\frac{New}{Old}$  New, S:Old  $\frac{New}{Old}$  New, W:Add, Z:Discontinued, F:Interchangeable by set, K:Q'ty Change  
 ++ CONTINUE ++  
 Copyright (C) 2020 YANMAR GLOBAL CS CO., LTD. All Rights Reserved.

Fig.11. FUEL INJECTION PUMP



(A)=3TNV84-GDGUS  
(B)=  
(C)=

(D)=  
(E)=  
(F)=

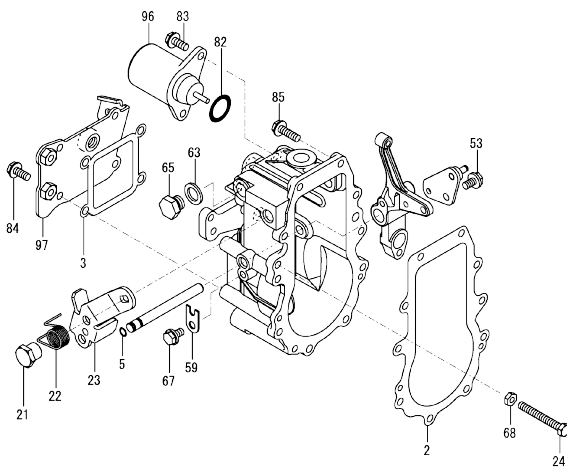
No.	Lev.	Parts No.	Description	Q'ty						I	R
				(A)	(B)	(C)	(D)	(E)	(F)		
88	2	23857-060000	BOLT, JOINT 6	1							
90	2	24311-000070	O-RING, 1AP7.0	1							
91	2	158552-52400	O-RING, 4E S42	1							
92	2	24356-010180	O-RING, 4D1018	1							
92-1	2	24356-190180	O-RING, 4D19018	1							R
(A=E43138)											
93	2	24356-010200	O-RING, 4D1020	1							
93-1	2	24356-190200	O-RING, 4D19020	1							R
(A=E43138)											
94	2	26106-060102	BOLT, M6X 10 PLATED	1							
95	2	158553-51770	BOLT	4							
99	2	26450-080452	BOLT, M8X 45	4							
100	2	26776-140002	NUT, LOCK M14	1							
120	2	158601-51770	PISTON, ACCUMULATOR	1							
121	2	158552-51780	SPRING, ACCUMULATOR	1							
121-1	2	158552-51781	SPRING, ACCUMULATOR	1							R
(A=E31603)											
122	2	158601-51790	PLUG, ACCUMULATOR	1							
123	2	22190-120002	WASHER, SEAL 12	1							
124	2	22190-180002	WASHER, SEAL 18	1							
125	2	23887-120002	PLUG, 12	1							
125-1	2	158553-51930	PLUG, M12	1							R
(A=E41379)											
128	2	129916-59020	JOINT, PIPE 12	1							
130	1	26106-080162	BOLT, M8X 16 PLATED	1							
131	1	26106-080202	BOLT, M8X 20 PLATED	1							
132	1	119802-51250	RETAINER, FUEL PUMP	1							

Remarks

(1)Governor(Fig.12) is incorporated in this Fuel Injection Pump(No.1).

OCD10-M90501 ENGINE  
 Fig.12. GOVERNOR

OCD10-M90501 Fig.12



(A)=3TNV84-GDGUS  
 (B)=  
 (C)=

(D)=  
 (E)=  
 (F)=

No.	Lev.	Parts No.	Description	Qty						I	R
				(A)	(B)	(C)	(D)	(E)	(F)		
2	2	158553-61050	GASKET, CASE	1							
3	2	158553-61070	GASKET, CASE	1							
5	2	129155-51280	O-RING, S6	1							
21	2	129255-61410	NUT, CONTROL LEVER	1							
22	2	119807-61420	SPRING, RETURN	1							
23	2	129246-61441	LEVER, REGULATOR	1							
24	2	129155-61460	BOLT, IDLE LIMIT	1							
24-1	2	129155-61461 (A=E68532)	BOLT, IDLE LIMIT	1							N
53	2	26106-060102	BOLT, M6X 10 PLATED	1							
59	2	119660-61901	STOPPER, SHAFT	1							
63	2	22190-120000	WASHER, SEAL 12	1							
63-1	2	22190-120002 (A=E40172)	WASHER, SEAL 12	1							N
65	2	23887-120002	PLUG, 12	1							
65-1	2	158553-51930 (A=E41379)	PLUG, M12	1							R
67	2	26106-060102	BOLT, M6X 10 PLATED	1							
68	2	26756-060002	NUT, LOCK M6	1							
68-1	2	119740-61470 (A=E68532)	NUT	1							N
82	2	158552-61900	O-RING	1							
83	2	26106-060142	BOLT, M6X 14 PLATED	2							
83-1	2	26106-060122 (A=E69868)	BOLT, M6X 12 PLATED	2							R
84	2	26106-060142	BOLT, M6X 14 PLATED	4							
84-1	2	26106-060122 (A=E69868)	BOLT, M6X 12 PLATED	4							R
85	2	26106-060202	BOLT, M6X 20 PLATED	10							
96	2	119233-77932	SOLENOID, STOP	1							
97	2	129246-61061	COVER, GOVERNOR CASE	1							

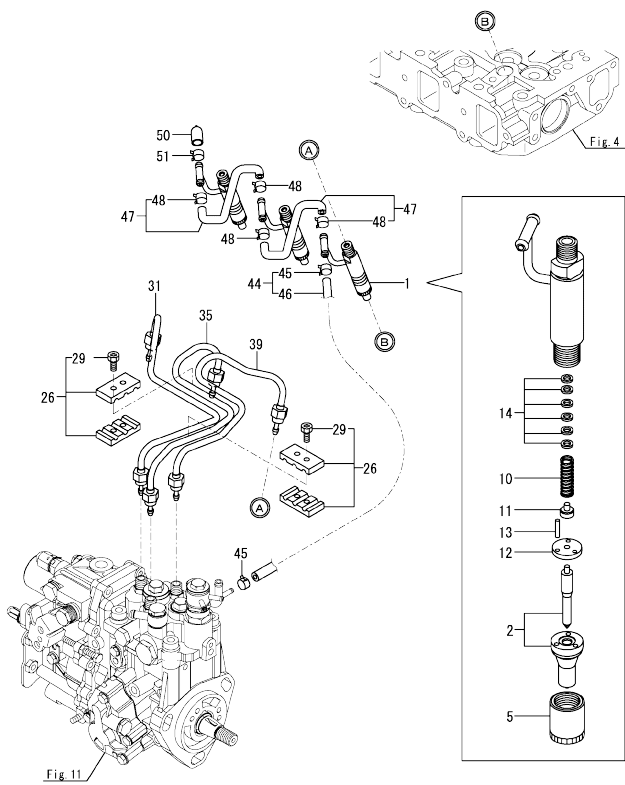
Remarks

\* This figure(Governor) is incorporated in the Fuel Injection Pump(Fig.11).

N:Old  $\frac{100}{100}$  New, Q:Old  $\frac{100}{100}$  New, R:Old  $\frac{100}{100}$  New, S:Old  $\frac{100}{100}$  New, W:Add, Z:Discontinued, F:Interchangeable by set, K:Qty Change  
 Copyright (C) 2020 YANMAR GLOBAL CS CO., LTD. All Rights Reserved.



Fig.13. FUEL INJECTION VALVE



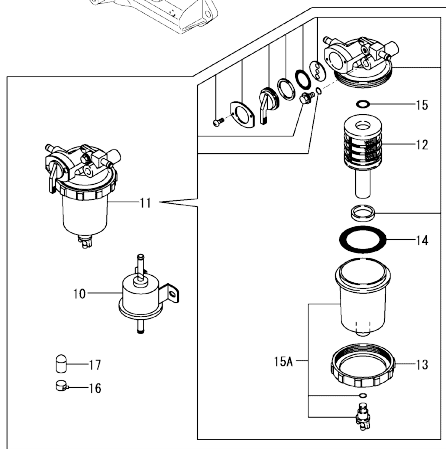
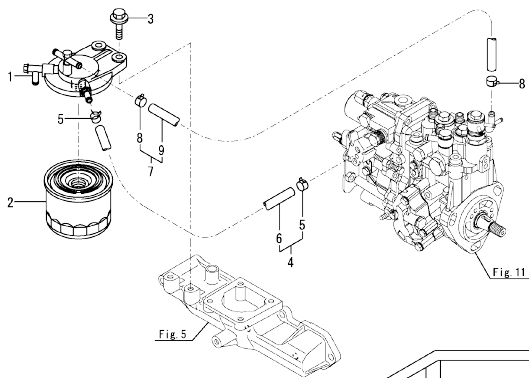
(A)=3TNV84-GDGUS  
(B)=  
(C)=

(D)=  
(E)=  
(F)=

No.	Lev.	Parts No.	Description	Q'ty						I	R
				(A)	(B)	(C)	(D)	(E)	(F)		
1	1	729246-53101	VALVE ASSY,INJECTION	3							
2	2	129246-53001	VALVE ASSY,INJECTION	3							
5	2	114250-53080	NUT, NOZZLE	3							
10	2	114250-53120	SPRING, NOZZLE	3							
11	2	114250-53130	SEAT, SPRING	3							
12	2	114250-53140	SPACER, VALVE STOP	3							
13	2	114250-53210	PIN, POSITIONING	6							
14	2	114250-53400	SHIM SET	3							
14-1	2	119803-53400	SHIM SET	3							R
(A=E36554)											
26	1	129150-59120	RETAINER, PIPE	2							
29	2	129150-59131	BOLT, M4X14	4							
31	1	129004-59811	PIPE ASSY, INJECTION	1							
35	1	129004-59821	PIPE ASSY, INJECTION	1							
39	1	129004-59831	PIPE ASSY, INJECTION	1							
44	1	119802-59550	HOSE ASSY, RETURN	1							
45	2	124722-59050	CLAMP, HOSE 9	2							
46	2	119802-59560	HOSE, FUEL RETURN	1							
47	1	129486-59551	HOSE ASSY, RETURN	2							
48	2	124722-59050	CLAMP, HOSE 9	4							
50	1	119593-59581	CAP, RETURN PIPE	1							
51	1	124060-77680	CLAMP, HOSE 10	1							

OCD10-M90501 ENGINE  
 Fig.14. FUEL PIPE

OCD10-M90501 Fig.14



(A)=3TNV84-GDGUS  
 (B)=  
 (C)=

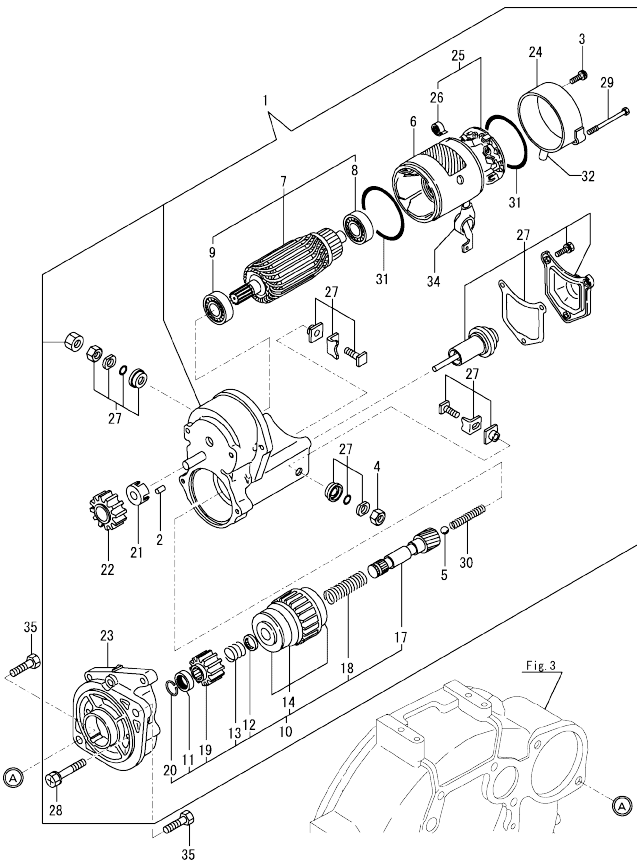
(D)=  
 (E)=  
 (F)=

No.	Lev.	Parts No.	Description	Q'ty						I	R
				(A)	(B)	(C)	(D)	(E)	(F)		
1	1	129004-55612	BRACKET, FILTER	1							
2	1	119802-55801	FILTER, FUEL	1							
3	1	26106-080302	BOLT, M8X 30 PLATED	2							
4	1	129210-59100	HOSE ASSY, FUEL L300	1							
5	2	124766-59050	CLAMP, HOSE 11.5	2							
6	2	105025-59580	HOSE, FUEL	1							
7	1	129210-59230	HOSE ASSY, FUEL L205	1							
8	2	124766-59050	CLAMP, HOSE 11.5	2							
9	2	129555-59511	HOSE, FUEL	1							
10	1	129612-52100	PUMP, FUEL FEED	1							1
11	1	119802-55700	SEPARATOR ASSY,WATER	1							1
12	2	119802-55710	ELEMENT, FUEL	1							1
13	2	129100-55690	NUT, RETAINING	1							1
14	2	24321-000650	O-RING, 1AG65.0	1							1
15	2	24311-000160	O-RING, 1AP16.0	1							1
15A	2	119802-55730 (A=E35487)	CUP ASSY, SEPARATOR	1							W 1
16	1	124766-59050	CLAMP, HOSE 11.5	1							1
17	1	129461-59580	CAP, FUEL	1							1

Remarks  
 (1) Loose parts.

N:Old  $\frac{100}{100}$  New, Q:Old  $\frac{100}{100}$  New, R:Old  $\frac{100}{100}$  New, S:Old  $\frac{100}{100}$  New, W:Add, Z:Discontinued, F:Interchangeable by set, K:Qty Change  
 Copyright (C) 2020 YANMAR GLOBAL CS CO., LTD. All Rights Reserved.

Fig.15. STARTER MOTOR



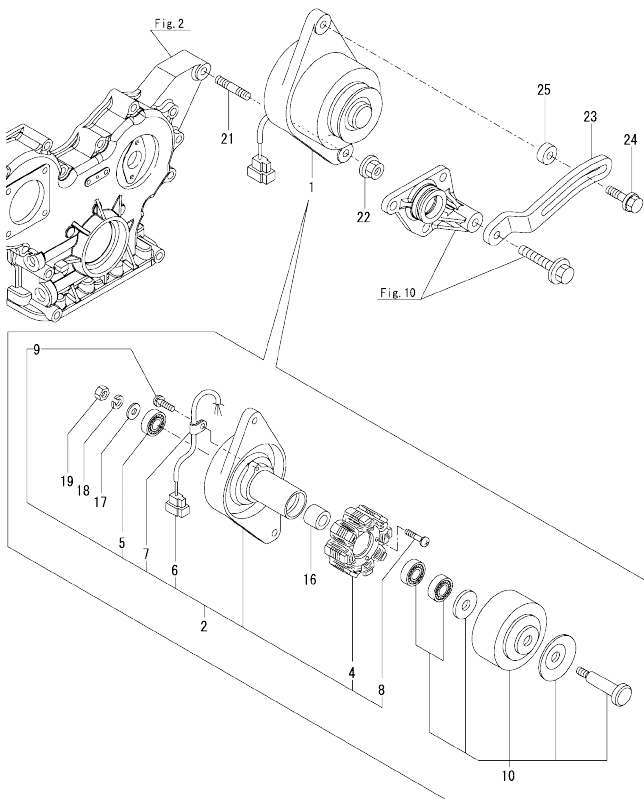
(A)=3TNV84-GDGUS  
(B)=  
(C)=

(D)=  
(E)=  
(F)=

No.	Lev.	Parts No.	Description	Qty						I	R
				(A)	(B)	(C)	(D)	(E)	(F)		
1	1	129129-77010	STARTER, RA1.2	1							
2	2	X0283060061	ROLLER	5							
3	2	129129-77460	SCREW	2							
4	2	X9490561370	NUT	1							
5	2	X9491200240	BALL, STEEL	1							
6	2	129129-77210	YOKE ASSY	1							
7	2	129129-77220	ARMATURE ASSY	1							
8	3	129129-77230	BEARING, BALL	1							
9	3	129129-77240	BEARING, BALL	1							
10	2	129129-77250	STARTER	1							
11	3	X0280210230	NUT, PINION STOP	1							
12	3	X0283270140	RETAINER, SNAP	1							
13	3	X9491703371	SPRING, COIL	1							
14	3	129129-77390	CLUTCH ASSY, STARTER	1							
17	3	129129-77400	SHAFT, STARTER	1							
18	3	129129-77410	SPRING, COIL	1							
19	3	129129-77420	PINION, STARTER	1							
20	3	129129-77430	RING, SNAP	1							
21	2	129129-77260	RETAINER	1							
22	2	129129-77270	PINION	1							
23	2	129129-77280	HOUSING, STARTOR	1							
24	2	129129-77290	FRAME, STARTER END	1							
25	2	129129-77300	HOLDER ASSY	1							
26	3	X9491730461	SPRING, BRUSH	4							
27	2	129129-77310	SWITCH ASSY, MAGNET	1							
28	2	129129-77320	BOLT, W/WASHER	2							
29	2	129129-77330	BOLT	2							
30	2	129129-77340	SPRING	1							
31	2	129129-77350	O-RING	2							
32	2	129129-77362	COVER	1							
34	2	129129-77380	CAP	1							
35	1	26116-120252	BOLT, M12X 25 PLATED	2							
35-1	1	26106-120252	BOLT, M12X 25 PLATED	2							R

(A)=E44126)

Fig.16. GENERATOR



(A)=3TNV84-GDGUS  
(B)=  
(C)=

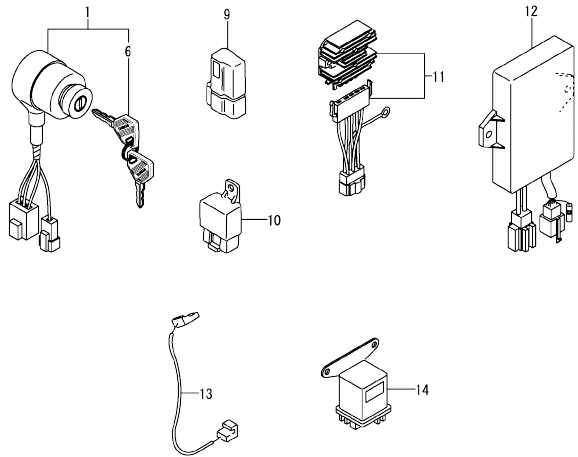
(D)=  
(E)=  
(F)=

No.	Lev.	Parts No.	Description	Q'ty						I	R
				(A)	(B)	(C)	(D)	(E)	(F)		
1	1	171301-77201	DYNAMO ASSY, 15A	1							
2	2	XM08137	PLATE ASSY	1							
4	3	XM08180	STATOR SET	1							
5	3	XM27436	BEARING, BALL	1							
6	3	XM17878	COUPLER	1							
7	3	XM36410	CLAMP	1							
8	3	26022-040252	SCREW, M4X25	2							
9	3	XYSPS4008	SCREW	1							
10	2	XM82184	FLYWHEEL ASSY	1							
16	2	106383-44720	SPACER	1							
17	2	106383-44730	WASHER	1							
18	2	22212-100000	SPRING WASHER 10	1							
19	2	26716-100002	NUT, M10	1							
21	1	129795-01900	BOLT, M10X30	1							
22	1	26306-100002	NUT, M10	1							
23	1	129004-77330	ADJUSTER, BELT	1							
23-1	1	129004-77320	ADJUSTER, BELT	1							R
		(A=E56845)									
24	1	129972-77341	BOLT, ADJUSTER L=50	1							
24-1	1	119810-77340	BOLT, ADJUSTER L=30	1							R
		(A=E56845)									
25	1	119940-77270	SPACER, GENERATOR	1							Z
		(A=E56845)									

Fig.17. ELECTRIC PARTS

(A)=3TNV84-GDGUS  
(B)=  
(C)=

(D)=  
(E)=  
(F)=

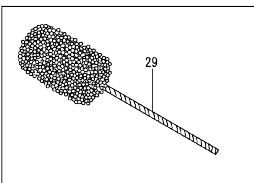
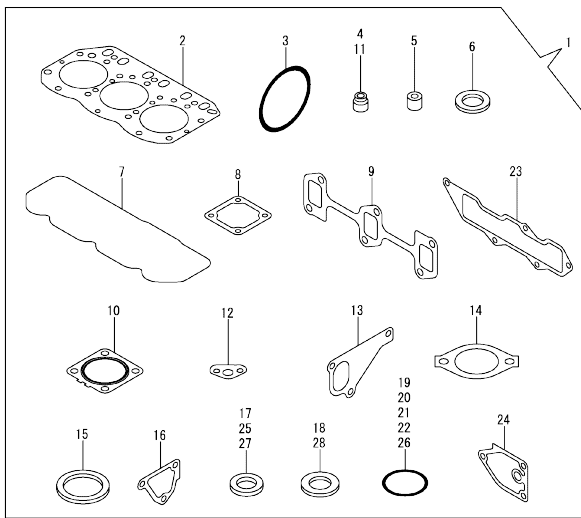


No.	Lev.	Parts No.	Description	Q'ty						I	R
				(A)	(B)	(C)	(D)	(E)	(F)		
1	1	194940-52110	SWITCH, STARTING	1							
1-1	1	129902-77500 (A=E78651)	SWITCH ASSY, STARTER	1							N
6	2	198360-52160	KEY ASSY, SPARE	1							
9	1	119643-66900	DIODE	2							
10	1	119247-77100	RELAY, POWER SN2213	1							
11	1	119865-77700	CURRENT LIMITER ASSY	1							
11-1	1	119865-77701 (A=E41116)	LIMITER, CURRENT 20A	1							N
12	1	129246-77800	RELAY, EMERGENCY	1							
12-1	1	129239-77800 (A=E52771)	CONTROLLER ASSY	1							N
12-2	1	129239-77801 (A=E56142)	CONTROLLER ASSY	1							R
13	1	119006-77900	CONNECTOR, STARTER	1							
14	1	119650-77910	RELAY ASSY, GLOW	1							
14-1	1	119650-77911 (A=E44589)	RELAY ASSY, GLOW	1							N

Fig.18. GASKET SET

(A)=3TNV84-GDGUS  
(B)=  
(C)=

(D)=  
(E)=  
(F)=



No.	Lev.	Parts No.	Description	Q'ty						I	R	
				(A)	(B)	(C)	(D)	(E)	(F)			
1	1	729246-92870	GASKET SET	1							1	
2	2	129002-01331	GASKET, HEAD	1								
3	2	121850-51960	O-RING, FUEL PUMP	1								
4	2	124460-11340	SEAL, VALVE STEM	3								
5	2	119625-11872	PROTECTOR, NOZZLE	3								
6	2	119625-11880	SEAT, NOZZLE	3								
7	2	129004-11310	GASKET, BONNET	1								
8	2	129150-77511	GASKET, AIR HEATER	1								
9	2	129150-13110	GASKET, MANIFOLD	1								
10	2	129004-13200	GASKET, SILENCER	1								
11	2	121400-11340	SEAL, VALVE STEM	3								
12	2	129150-35042	GASKET, INLET PIPE	1								
13	2	129486-42021	GASKET, WATER PUMP	1								
14	2	129795-49551	GASKET, COVER	1								
15	2	129150-49811	GASKET, THERMOSTAT	1								
16	2	124395-49840	GASKET, THERMOSTAT	1								
17	2	22190-080002	WASHER, SEAL 8	2								
18	2	124465-44950	GASKET, 16	2								
19	2	24311-000120	O-RING, 1AP12.0	3								
20	2	24311-000320	O-RING, 1AP32.0	2								
21	2	24341-000240	O-RING, 1AS24.0	1								
22	2	129486-42140	O-RING, G30	1								
23	2	129001-12110	GASKET, MANIFOLD	1								
24	2	129150-35111	GASKET, BRACKET	1								
25	2	22190-220002	WASHER, SEAL 22	1								
26	2	119609-32040	O-RING, P16	4								
27	2	22190-100002	WASHER, SEAL 10	2								
28	2	23414-080000	GASKET, 8X1.0	1								
29	1	129400-92420	HONE, FLEX	1								1

Remarks  
(1)Optional parts.

## Parts No. Index

Parts No.	Fig. No.	Ref. No.	Parts No.	Fig. No.	Ref. No.	Parts No.	Fig. No.	Ref. No.	Parts No.	Fig. No.	Ref. No.
105025-59580	14	6	119802-49730	10	37	124395-49840	18	16	129004-55612	14	1
106383-44720	16	16	119802-51090	11	87	124460-11340	4	29	129004-59811	13	31
106383-44730	16	17	119802-51250	11	132		18	4	129004-59821	13	35
114250-39450	9	12	119802-51560	11	50	124465-44950	10	33	129004-59831	13	39
114250-53080	13	5	119802-51590	11	56			34	129004-77320	16	23 -1
114250-53120	13	10	119802-51600	11	57		18	18	129004-77330	16	23
114250-53130	13	11	119802-51680	11	61	124550-21600	8	16	129005-03080	5	1
114250-53140	13	12	119802-51690	11	62	124722-59050	10	38	129005-12100	5	3
114250-53210	13	13	119802-55700	14	11			41	129005-12101	5	3 -1
114250-53400	13	14	119802-55710	14	12		13	45	129005-59830	9	15
119006-77900	17	13	119802-55730	14	15 A			48	129008-51900	11	6 D
119131-18320	6	3	119802-55801	14	2	124766-59050	14	5	129008-51920	11	6 E
119233-77932	12	96	119802-59550	13	44			8	129100-01580	3	1
119247-77100	17	10	119802-59560	13	46			16			15
119415-44740	10	22	119803-53400	13	14 -1	129001-01250	1	6		8	2
119593-59581	13	50	119807-61420	12	22	129001-02931	1	25	129100-01640	3	16
119609-32040	2	17	119810-77340	16	24 -1	129001-12110	5	5	129100-01730	3	6
	18	26	119865-77700	17	11		18	23	129100-01760	3	8
119620-01750	3	3	119865-77701	17	11 -1	129001-32330	2	11	129100-11112	4	25
119625-11872	18	5	119934-01800	2	6 -1	129001-91841	2	22	129100-13110	6	1
119625-11880	4	33	119940-77270	16	25	129002-01331	1	33	129100-23910	8	30
	18	6	120130-11860	4	19		18	2	129100-35140	9	8
119640-01640	3	9	120270-54410	4	35	129004-01190	1	31	129100-35301	9	4
119643-66900	17	9	121023-01551	2	28	129004-03010	4	42	129100-42051	10	3
119650-77910	17	14	121111-21501	8	12	129004-11130	4	24	129100-55690	14	13
119650-77911	17	14 -1	121250-44901	10	32	129004-11241	4	3	129116-21590	8	13
119660-61901	12	59	121267-44760	10	23	129004-11251	4	4	129120-42350	10	20
119740-61470	12	68 -1	121400-11340	4	28	129004-11310	4	50	129120-42351	10	20 -1
119802-01520	2	12		18	11		18	7	129120-77501	5	8
119802-01561	2	13	121450-42450	10	31	129004-11350	4	41	129120-77502	5	8 -1
119802-03110	4	44	121520-34810	9	2	129004-11650	4	10	129129-77010	15	1
119802-03121	4	45	121550-23200	8	31	129004-11700	4	15	129129-77210	15	6
119802-03130	4	46	121550-49111	10	30	129004-11900	4	34	129129-77220	15	7
119802-03141	4	47	121850-21680	8	11	129004-13200	6	7	129129-77230	15	8
119802-11260	4	6	121850-42410	10	8		18	10	129129-77240	15	9
119802-11270	4	7	121850-51960	2	21	129004-14580	7	3	129129-77250	15	10
119802-11280	4	8		18	3	129004-21002	8	1	129129-77260	15	21
119802-11870	4	32	123900-13610	6	5	129004-21650	8	9	129129-77270	15	22
119802-21202	8	5	123900-13630	6	4	129004-22080	8	18	129129-77280	15	23
119802-25051	7	10	124060-01050	1	40	129004-22500	8	20	129129-77290	15	24
119802-25071	7	14	124060-77680	13	51	129004-22900	8	36	129129-77300	15	25
119802-25101	7	11	124101-49531	10	27	129004-22950	8	38	129129-77310	15	27
119802-25901	7	17	124160-01751	2	14	129004-34802	9	1	129129-77320	15	28
119802-32070	2	8		4	40	129004-42001	10	1	129129-77330	15	29
119802-32100	2	7	124160-01910	1	41	129004-42002	10	1 -1	129129-77340	15	30
119802-32111	2	18		4	42	129004-42040	10	15	129129-77350	15	31
119802-32120	2	19	124160-11360	4	53	129004-49610	10	35	129129-77362	15	32
119802-32130	2	20	124160-39140	9	13	129004-49620	10	39	129129-77380	15	34
119802-35100	9	6	124240-01871	2	15	129004-49711	10	36	129129-77390	15	14
119802-39450	9	14	124395-49840	10	17	129004-49721	10	40	129129-77400	15	17

## Parts No. Index

Parts No.	Fig. No.	Ref. No.	Parts No.	Fig. No.	Ref. No.	Parts No.	Fig. No.	Ref. No.	Parts No.	Fig. No.	Ref. No.
129129-77410	15	18	129400-92420	18	29	158553-51670	11	60	23857-030000	9	16
129129-77420	15	19	129410-03990	5	2	158553-51680	11	71	23857-060000	11	88
129129-77430	15	20	129418-32320	2	10	158553-51770	11	95	23876-030000	2	4
129129-77460	15	3	129461-59580	14	17	158553-51930	11	125 -1	23876-040000	2	5
129150-01200	1	32	129486-01670	3	19		12	65 -1	23887-120002	11	125
129150-02020	1	10	129486-42021	10	14	158553-61050	12	2		12	65
129150-02450	7	4		18	13	158553-61070	12	3	24107-060034	8	17
129150-02871	1	34	129486-42140	10	16	158557-51570	11	53	24311-000070	11	90
129150-02931	1	28		18	22	158563-51281	11	34	24311-000120	4	54
129150-02941	1	37	129486-59551	13	47			35		18	19
129150-03070	4	43	129509-51390	11	36	158563-51330	11	44	24311-000160	14	15
129150-11230	4	11	129555-59511	14	9	158600-51270	11	33	24311-000320	2	23
129150-11280	4	9	129612-42380	10	21	158601-51550	11	49		4	55
129150-11370	4	14	129612-52100	14	10	158601-51570	11	54		18	20
129150-11750	4	13	129795-01780	3	18	158601-51650	11	69	24321-000650	14	14
129150-11810	4	21	129795-01800	2	6	158601-51770	11	120	24341-000240	2	29
129150-13110	6	2	129795-01900	16	21	158601-51790	11	122		18	21
	18	9	129795-01950	2	16	171051-01921	1	9	24356-010180	11	92
129150-14101	7	7	129795-02412	1	13	171301-77201	16	1	24356-010200	11	63
129150-14200	7	1	129795-11120	4	26	171420-01600	3	2			93
129150-14400	7	2	129795-11180	4	27	194940-52110	17	1	24356-190180	11	92 -1
129150-23601	8	32	129795-21661	8	10	198360-52160	17	6	24356-190200	11	63 -1
129150-23611	8	34	129795-49551	10	28	22190-080002	9	17			93 -1
129150-25301	7	16		18	14			18	24372-000150	11	64
129150-35042	9	3	129900-07900	4	1			17	26022-040252	16	8
	18	12	129900-32130	2	9	22190-100002	9	19	26106-060102	11	94
129150-35111	9	9	129902-77500	17	1 -1		18	27		12	53
	18	24	129916-59020	11	128	22190-120000	12	63			67
129150-35153	9	10	129972-77341	16	24	22190-120002	11	80	26106-060122	10	46
129150-42290	10	8 -2	129E00-13640	6	4 -1			81		12	83 -1
129150-49811	10	26	158552-51151	7	18			123			84 -1
	18	15	158552-51570	11	51			12	26106-060142	12	83
129150-59120	13	26		52		22190-180002	11	82			84
129150-59131	13	29	158552-51571	11	51 -1			124	26106-060162	2	30
129150-77511	5	9		52 -1		22190-220002	3	11	26106-060202	12	85
	18	8	158552-51580	11	55		18	25	26106-060302	10	24
129155-49801	10	25	158552-51600	11	65	22212-100000	16	18	26106-080122	10	43
129155-51280	12	5	158552-51670	11	4	22217-140000	7	19	26106-080142	7	9
129155-61460	12	24	158552-51780	11	121		11	83	26106-080162	2	24
129155-61461	12	24 -1	158552-51781	11	121 -1	22252-000260	8	25			25
129202-22300	8	24	158552-52100	11	77	22312-050140	11	84		3	12
129210-59100	14	4	158552-52310	11	79	22351-030010	8	8		4	2
129210-59230	14	7	158552-52311	11	79 -1	22351-050010	11	85		10	18
129239-77800	17	12 -1	158552-52400	11	91	22351-060012	4	36		11	130
129239-77801	17	12 -2	158552-52500	11	78	22512-070140	7	8	26106-080202	5	6
129246-53001	13	2	158552-61900	12	82		8	6		9	11
129246-61061	12	97	158553-51551	11	48	22857-500100	4	51		11	131
129246-61441	12	23	158553-51630	11	66			52	26106-080252	3	13
129246-77800	17	12	158553-51640	11	68	23414-080000	10	42		4	37
129255-61410	12	21	158553-51660	11	70		18	28		10	29



## Parts No. Index

Parts No.	Fig. No.	Ref. No.
26106-080282	10	29 -1
26106-080302	14	3
26106-080352	3	20
	4	38
	5	10
	9	5
26106-080402	7	15
26106-080452	3	14
		14 -1
	10	44
26106-080502	3	22
	4	39
	2	26
26106-080552	2	26
26106-080602	10	19
26106-080652	10	45
26106-080802	5	7
26106-080852	2	22 -1
26106-120252	15	35 -1
26116-120252	15	35
26206-100252	3	4
26206-100302	3	5
26306-080002	2	27
	6	6
26306-100002	16	22
26366-060002	9	20
26450-080452	11	99
26577-060142	10	8 -1
26716-100002	16	19
26756-060002	12	68
26776-140002	7	20
	11	100
27241-120000	1	43
27241-300000	1	15
27241-400000	4	23
27310-080001	4	30
719802-01500	2	1
729004-01560	1	1
729246-51301	11	1
729246-53101	13	1
729246-92870	18	1
729402-23100	8	26
X0280210230	15	11
X0283060061	15	2
X0283270140	15	12
X9490561370	15	4
X9491200240	15	5
X9491703371	15	13
X9491730461	15	26
XM08137	16	2
XM08180	16	4

Parts No.	Fig. No.	Ref. No.
XM17878	16	6
XM27436	16	5
XM36410	16	7
XM82184	16	10
XYS4008	16	9

Parts No.	Fig. No.	Ref. No.
-----------	----------	----------

Parts No.	Fig. No.	Ref. No.
-----------	----------	----------