

0CD10-M82001EN

PREFACE

1. This parts catalog is the 2nd edition of 3TNV84-QIK & 3TNV84-QIKA for KATO WORKS CO.,LTD.

Pub.No. : 000Y00D8201

Published : November.,2006

2. Model name

Engine model	Vehicle		Vehicle made by
	Products	Model name	
3TNV84-QIK	Excavator	35NX2	KATO WORKS CO.,LTD.
3TNV84-QIKA		35N2	

Contents

OCD10-M82001

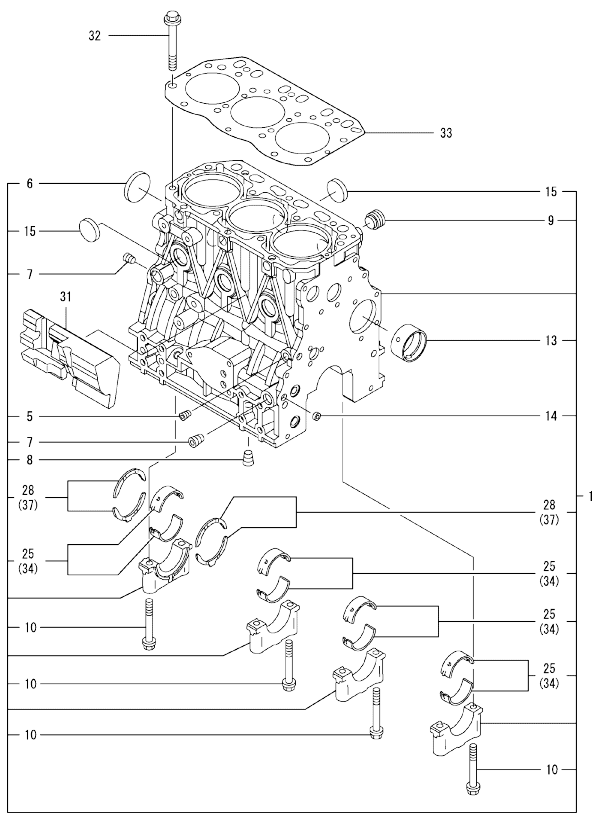
Fig. No.	Fig. Name	Fig. No.	Fig. Name
ENGINE SECTION			
1.	CYLINDER BLOCK		
2.	GEAR HOUSING		
3.	FLYWHEEL HOUSING & OIL SUMP		
4.	CYLINDER HEAD & BONNET		
5.	SUCTION MANIFOLD & AIR CLAENER		
6.	EXHAUST MANIFOLD & SILENCER		
7.	CAMSHAFT & DRIVING GEAR		
8.	CRANKSHAFT & PISTON		
9.	LUB.OIL SYSTEM		
10.	COOLING WATER SYSTEM		
11.	FUEL INJECTION PUMP		
12.	FUEL INJECTION VALVE		
13.	FUEL LINE		
14.	STARTING MOTOR		
15.	GENERATOR		
16.	GASKET SET		
17.	FUEL INJECTION PUMP(INNER PART		
18.	GOVERNOR(INNER PARTS)		

OCD10-M82001 ENGINE SECTION
 Fig.1. CYLINDER BLOCK

OCD10-M82001 Fig.1

(A)=3TNV84-QJK
 (B)=3TNV84-QJKA
 (C)=

(D)=
 (E)=
 (F)=

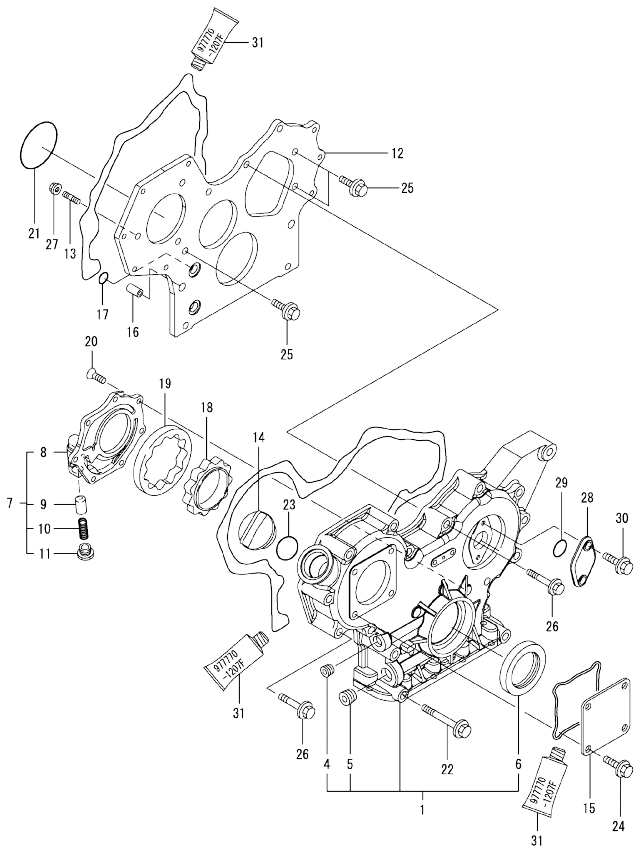


No.	Lev.	Parts No.	Description	Q'ty						I	R
				(A)	(B)	(C)	(D)	(E)	(F)		
1	1	729004-01560	BLOCK ASSY, CYLINDER	1	1						
5	2	124060-01050	PLUG, PT1/8	1	1						
6	2	129001-01250	PLUG, 50	1	1						
7	2	124160-01910	PLUG, PT1/4	2	2						
8	2	124160-01910	PLUG, PT1/4	1	1						
9	2	171051-01921	PLUG, NPTF1	1	1						
10	2	129150-02020	BOLT, METAL CAP	8	8						
13	2	129795-02411	BUSH, CAMSHAFT	1	1						
13-1	2	129795-02412	BUSH, CAMSHAFT	1	1						N
(A=E28114) (B=E28108)											
14	2	27241-120000	PLUG, 12	2	2						
15	2	27241-300000	PLUG 30	6	6						
25	2	129001-02930	BEARING, MAIN	4	4						3
25-1	2	129001-02931	BEARING, MAIN	4	4						N 3
(A=E28114) (B=E28108)											
28	2	129150-02930	BEARING, THRUST	2	2						
28-1	2	129150-02931	BEARING, THRUST	2	2						N
(A=E28114) (B=E28108)											
31	1	129004-01190	SPACER	1	1						
32	1	129150-01200	BOLT, HEAD	14	14						
33	1	129002-01331	GASKET, HEAD	1	1						
34	1	129150-02870	BEARING, 0.25 US	4	4						1
34-1	1	129150-02871	BEARING, 0.25 US	4	4						N 1
(A=E28114) (B=E28108)											
37	1	129150-02940	BEARING, THRUST 0.25	1	1						2
37-1	1	129150-02941	BEARING, THRUST 0.25	1	1						N 2
(A=E28114) (B=E28108)											

Remarks
 (1) UNDER-SIZE(U.S=0.25)PART.
 (2) OVER-SIZE(O.S=0.25)PART.
 (3) REPAIR PART.

N:Old $\frac{100}{100}$ New. Q:Old $\frac{100}{100}$ New. R:Old $\frac{100}{100}$ New. S:Old $\frac{100}{100}$ New. W:Add. Z:Discontinued. F:Interchangeable by set. K:Q'ty Change
 Copyright (C) YANMAR GLOBAL CS CO., LTD. All Rights Reserved.

OCD10-M82001 ENGINE SECTION
 Fig.2. GEAR HOUSING



OCD10-M82001 Fig.2

(A)=3TNV84-QJK
 (B)=3TNV84-QJKA
 (C)=

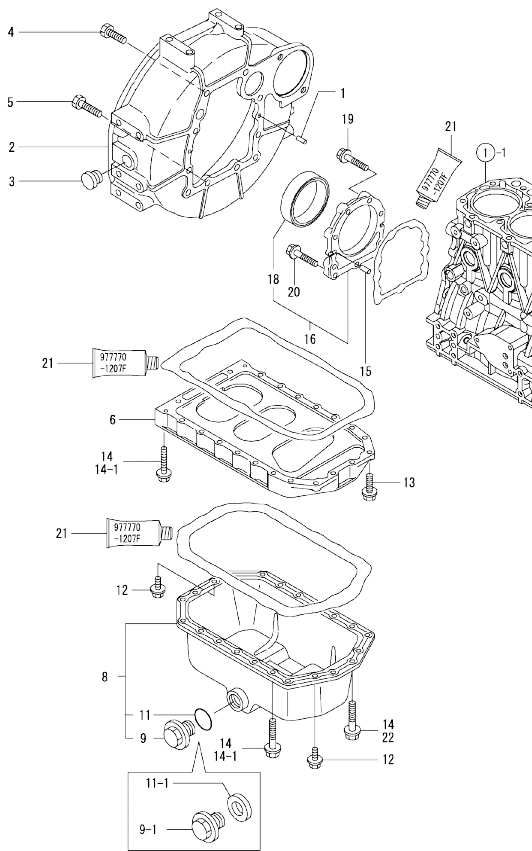
(D)=
 (E)=
 (F)=

No.	Lev.	Parts No.	Description	Q'ty						I	R
				(A)	(B)	(C)	(D)	(E)	(F)		
1	1	719802-01500	CASE ASSY, GEAR	1	1						
4	2	23876-030000	PLUG, R03	1	1						
5	2	23876-040000	PLUG, R04	1	1						
6	2	129795-01800	SEAL, OIL	1	1						
7	1	119802-32100	COVER ASSY	1	1						
8	2	119802-32070	COVER	1	1						
9	2	129900-32130	VALVE, RELIEF	1	1						
10	2	129418-32320	SPRING	1	1						
11	2	129001-32330	PLUG	1	1						
12	1	119802-01520	FLANGE, GEAR CASE	1	1						
13	1	119802-01560	STUD, M8X25	3	3						
13-1	1	119802-01561	STUD, M8X25	3	3						R
(A=E21533) (B=E21540)											
14	1	124160-01751	COVER, FILLER	1	1						
15	1	124240-01871	COVER	1	1						
16	1	129795-01950	PIPE, KNOCK L=18	2	2						
17	1	119609-32040	O-RING, P16	4	4						
18	1	119802-32111	ROTOR, INNER	1	1						
19	1	119802-32120	ROTOR, OUTER	1	1						
20	1	119802-32130	SCREW, M6X16	7	7						
21	1	121850-51960	O-RING	1	1						
22	1	129001-91841	BOLT, M8X85	3	3						
23	1	24311-000320	O-RING, 1AP32.0	1	1						
24	1	26106-080162	BOLT, M8X 16 PLATED	4	4						
25	1	26106-080162	BOLT, M8X 16 PLATED	3	3						
26	1	26106-080552	BOLT, M8X 55 PLATED	12	12						
27	1	26306-080002	NUT, M8	3	3						
28	1	121023-01550	COVER	1	1						
28-1	1	121023-01551	COVER	1	1						R
(A=E23145) (B=E22976)											
29	1	24341-000240	O-RING, 1AS24.0	1	1						
30	1	26106-060162	BOLT, M6X 16 PLATED	2	2						
31	1	977770-1207F	GASKET,LIQUID	1	1						1

Remarks
 (1) OPTIONAL PART.

N:Old $\frac{100}{100}$ New, Q:Old $\frac{100}{100}$ New, R:Old $\frac{100}{100}$ New, S:Old $\frac{100}{100}$ New, W:Add, Z:Discontinued, F:Interchangeable by set, K:Q'ty Change
 Copyright (C) YANMAR GLOBAL CS CO., LTD. All Rights Reserved.

Fig.3. FLYWHEEL HOUSING & OIL SUMP



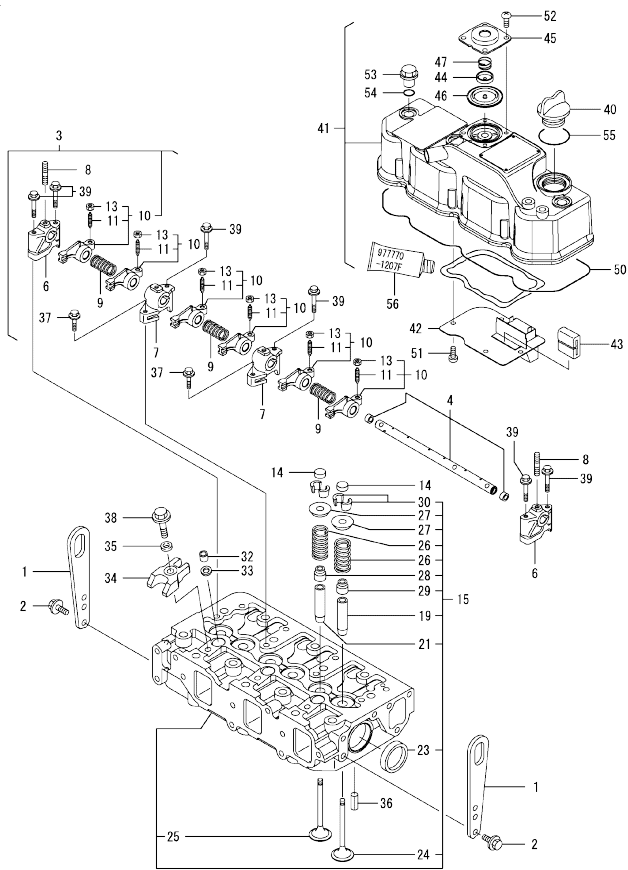
(A)=3TNV84-QJK
(B)=3TNV84-QJKA
(C)=

(D)=
(E)=
(F)=

No.	Lev.	Parts No.	Description	Q'ty						I	R
				(A)	(B)	(C)	(D)	(E)	(F)		
1	1	129100-01580	PIN, M8X16	2	2						
2	1	129612-01600	HOUSING, FLYWHEEL	1	1						
3	1	119620-01750	CAP	1	1						
4	1	26206-100252	BOLT, M10X 25 PLATED	6	6						
5	1	26206-100302	BOLT, M10X 30 PLATED	4	4						
6	1	129100-01730	SPACER, OIL SUMP	1	1						
8	1	129100-01760	SUMP ASSY, OIL	1	1						
9	2	171301-01640	PLUG, 22	1	1						
9-1	2	119640-01640	PLUG, DRAIN M22	1	1						S
		(A=E15723) (B=E15265)									
11	2	24341-000250	O-RING, 1AS25.0	1	1						
11-1	2	22190-220002	WASHER, SEAL 22	1	1						S
		(A=E15723) (B=E15265)									
12	1	26106-080162	BOLT, M8X 16 PLATED	4	4						
13	1	26106-080252	BOLT, M8X 25 PLATED	2	2						
14	1	26106-080452	BOLT, M8X 45 PLATED	20	20						
14-1	1	26106-080452	BOLT, M8X 45 PLATED	16	16						K
		(A=FROM 1ST) (B=FROM 1ST)									
15	1	129100-01580	PIN, M8X16	2	2						
16	1	129100-01640	CASE ASSY, OIL SEAL	1	1						
18	2	129795-01780	SEAL, OIL	1	1						
19	1	129486-01670	BOLT, M8X30	6	6						
20	1	26106-080352	BOLT, M8X 35 PLATED	3	3						
21	1	977770-1207F	GASKET LIQUID	1	1						1
22	1	26106-080502	BOLT, M8X 50 PLATED	4	4						W
		(A=FROM 1ST) (B=FROM 1ST)									

Remarks
(1) OPTIONAL PART.

Fig.4. CYLINDER HEAD & BONNET



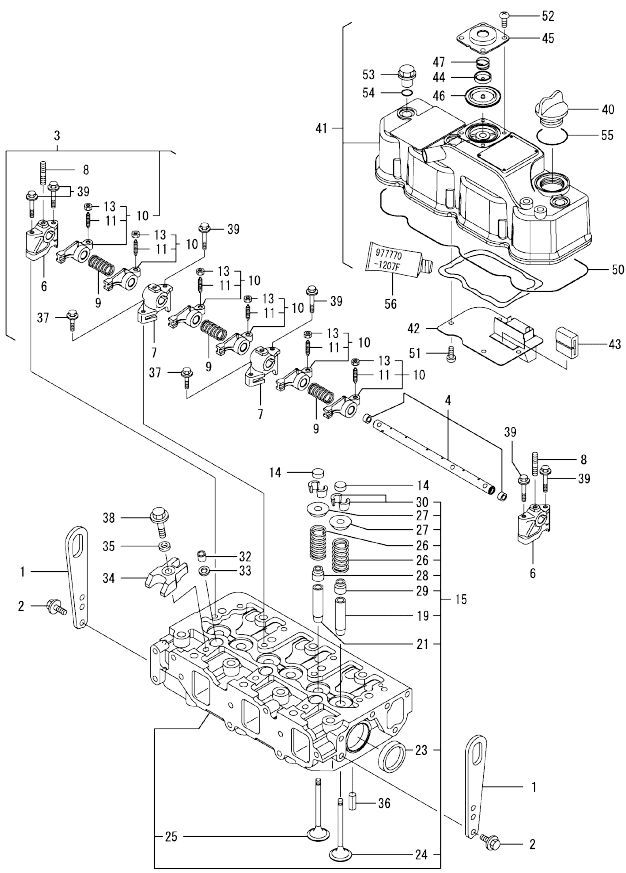
(A)=3TNV84-QJK
(B)=3TNV84-QJKA
(C)=

(D)=
(E)=
(F)=

No.	Lev.	Parts No.	Description	Q'ty						I	R
				(A)	(B)	(C)	(D)	(E)	(F)		
1	1	129900-07900	LIFTER	2	2						
2	1	26106-080142	BOLT, M8X 14 PLATED	4	4						
2-1	1	26106-080162	BOLT, M8X 16 PLATED	4	4						N
				(A=E16617)		(B=E16804)					
3	1	129004-11241	SHAFT ASSY, ROCKER	1	1						
4	2	129004-11251	SHAFT, ROCKER ARM	1	1						
6	2	119802-11260	SUPPORT, ROCKER ARM	2	2						
7	2	119802-11270	SUPPORT, ROCKER ARM	2	2						
8	2	119802-11280	STUD	3	3						
9	2	129150-11280	SPRING	3	3						
10	2	129004-11650	ARM, ROCKER	6	6						
11	3	129150-11230	SCREW, VALVE ADJUST	6	6						
13	3	129150-11750	NUT, M8	6	6						
14	1	129150-11370	CAP, VALVE	6	6						
15	1	129004-11700	HEAD ASSY, CYLINDER	1	1						
19	2	120130-11860	GUIDE, VALVE	3	3						1
21	2	129150-11810	GUIDE, VALVE	3	3						1
23	2	27241-400000	PLUG, 40	2	2						
24	2	129004-11100	VALVE, INTAKE	3	3						
24-1	2	129004-11130	VALVE, INTAKE	3	3						R
				(A=E23145)		(B=E22976)					
25	2	129100-11110	VALVE, EXHAUST	3	3						
25-1	2	129100-11111	VALVE, EXHAUST	3	3						R
				(A=E15723)		(B=E15265)					
25-2	2	129100-11112	VALVE, EXHAUST	3	3						R
				(A=E23145)		(B=E22976)					
26	2	129795-11120	SPRING, VALVE	6	6						
27	2	129795-11180	RETAINER, SPRING	6	6						
28	2	121400-11340	SEAL, VALVE STEM	3	3						
29	2	124460-11340	SEAL, VALVE STEM	3	3						
30	2	27310-080001	COTTER, 8	6	6						
32	1	119802-11870	PROTECTOR, NOZZLE	3	3						
33	1	119625-11880	SEAT, NOZZLE	3	3						
34	1	129004-11900	RETAINER, NOZZLE	3	3						
35	1	120270-54410	WASHER, INJECTOR	3	3						
36	1	22351-060012	PIN, SPRING 6.0X12	2	2						
37	1	26106-080252	BOLT, M8X 25 PLATED	2	2						
38	1	26106-080352	BOLT, M8X 35 PLATED	3	3						
39	1	26106-080502	BOLT, M8X 50 PLATED	6	6						
40	1	124160-01751	COVER, FILLER	1	1						
41	1	129004-11350	BONNET ASSY, HEAD	1	1						
42	2	129004-03010	PLATE	1	1						
43	2	129150-03070	BAFFLE, BREATHER	1	1						
44	2	119802-03110	PLATE	1	1						
45	2	119802-03120	COVER, DIAPHRAGM	1	1						
45-1	2	119802-03121	COVER, DIAPHRAGM	1	1						N
				(A=E15723)		(B=E15265)					
46	2	119802-03130	DIAPHRAGM	1	1						
47	2	119802-03140	SPRING, DIAPHRAGM	1	1						
47-1	2	119802-03141	SPRING, DIAPHRAGM	1	1						N
				(A=E15723)		(B=E15265)					

Remarks
(1) REPAIR PART.
(2) OPTIONAL PART.

Fig.4. CYLINDER HEAD & BONNET



(A)=3TNV84-QIK
(B)=3TNV84-QIKA
(C)=

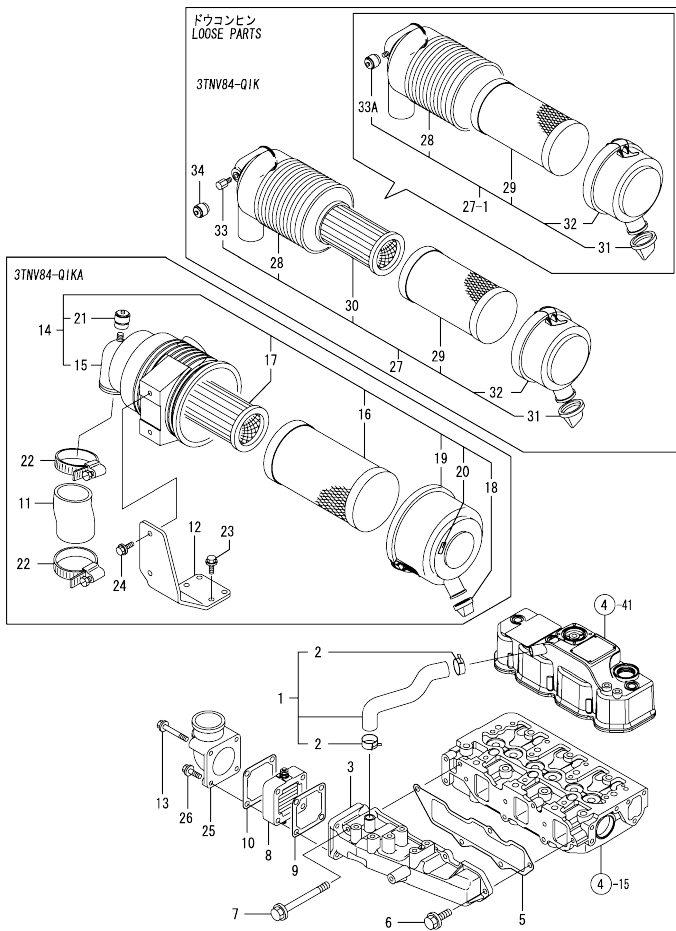
(D)=
(E)=
(F)=

No.	Lev.	Parts No.	Description	Q'ty						
				(A)	(B)	(C)	(D)	(E)	(F)	
50	2	129004-11310	GASKET, BONNET	1	1					
51	2	22857-500100	SCREW, 5X10	4	4					
52	2	22857-500100	SCREW, 5X10	4	4					
53	1	124160-11360	KNOB	3	3					
54	1	24311-000120	O-RING, 1AP12.0	3	3					
55	1	24311-000320	O-RING, 1AP32.0	1	1					
56	1	97770-1207F	GASKET,LIQUID	1	1					2

Remarks

- (1) REPAIR PART.
- (2) OPTIONAL PART.

Fig.5. SUCTION MANIFOLD & AIR CLAENER

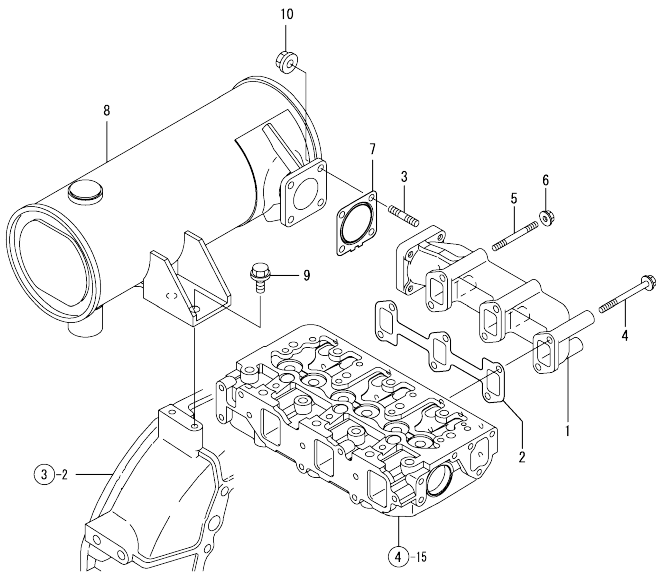


(A)=3TNV84-Q1K
(B)=3TNV84-Q1KA
(C)=

(D)=
(E)=
(F)=

No.	Lev.	Parts No.	Description	Qty						I	R
				(A)	(B)	(C)	(D)	(E)	(F)		
1	1	129004-03080	PIPE, BREATHER	1	1						
2	2	129410-03990	CLAMP 22	2	2						
3	1	129004-12100	MANIFOLD, AIR INTAKE	1	1						
5	1	129001-12110	GASKET, MANIFOLD	1	1						
6	1	26106-080202	BOLT, M8X 20 PLATED	4	4						
7	1	26106-080802	BOLT, M8X 80 PLATED	1	1						
8	1	129100-77500	HEATER, AIR 12V	1	1						
8-1	1	129100-77501 (A=E27376) (B=E27343)	HEATER	1	1						N
9	1	129150-77511	GASKET	1	1						
10	1	129100-77510	GASKET, AIR HEATER	1	1						
11	1	119910-12210	PIPE, AIR INTAKE	1							
12	1	119802-12560	BRACKET, AIR CLEANER	1							
13	1	26106-080802	BOLT, M8X 80 PLATED	2	2						
14	1	119910-12601	CLEANER ASSY, AIR	1							
15	2	119910-12510	BODY, AIR CLEANER	1							
16	2	119808-12520	ELEMENT	1							
17	2	129051-12530	ELEMENT	1							
18	2	119808-12540	VALVE, UNLOADER	1							
19	2	119866-12541	COVER ASSY	1							
20	2	129612-12650	MARKING, (W)	1							
21	2	126650-12680	INDICATOR	1							
22	1	23000-060000	CLAMP, 60	2							
23	1	26013-080222	BOLT, M8X 22	4							
24	1	26013-080222	BOLT, M8X 22	2							
25	1	171340-77520	BEND	1	1						
26	1	26106-080402	BOLT, M8X 40 PLATED	2	2						
27	1	129051-12500	CLEANER ASSY, AIR	1							
27-1	1	129240-12540	CLEANER ASSY, AIR	1							S
		(A=FROM 1ST)									
28	2	129051-12510	BODY, AIR CLEANER	1							
29	2	119808-12520	ELEMENT	1							
30	2	129051-12530	ELEMENT	1							Z
		(A=FROM 1ST)									
31	2	119808-12540	VALVE, UNLOADER	1							
32	2	129051-12540	COVER, AIR CLEANER	1							
33	2	121820-12590	NIPPLE	1							Z
		(A=FROM 1ST)									
33A	2	126650-12680	INDICATOR	1							W
		(A=FROM 1ST)									
34	1	126650-12680	INDICATOR	1							Z
		(A=FROM 1ST)									

Fig.6. EXHAUST MANIFOLD & SILENCER

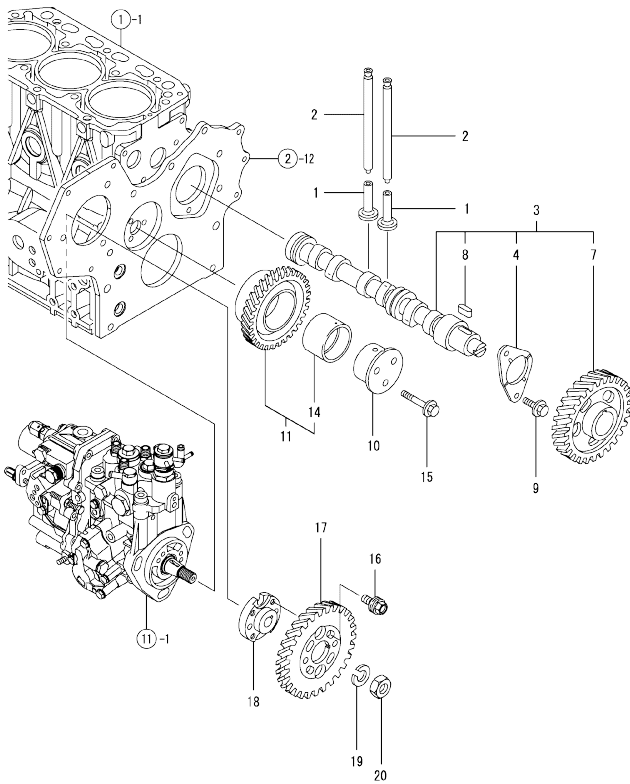


(A)=3TNV84-QJK
(B)=3TNV84-QJKA
(C)=

(D)=
(E)=
(F)=

No.	Lev.	Parts No.	Description	Q'ty					
				(A)	(B)	(C)	(D)	(E)	(F)
1	1	129004-13129	MANIFOLD, EXHAUST	1	1				
2	1	129150-13110	GASKET	1	1				
3	1	119131-18320	STUD, M8X22	4	4				
4	1	123900-13630	BOLT, M8X80	4	4				
5	1	123900-13610	STUD, M8X80	2	2				
6	1	26306-080002	NUT, M8	2	2				
7	1	129004-13200	GASKET, SILENCER	1	1				
8	1	129240-13550	SILENCER	1	1				
9	1	26106-100202	BOLT, M10X 20 PLATED	2	2				
10	1	26306-080002	NUT, M8	4	4				

Fig.7. CAMSHAFT & DRIVING GEAR



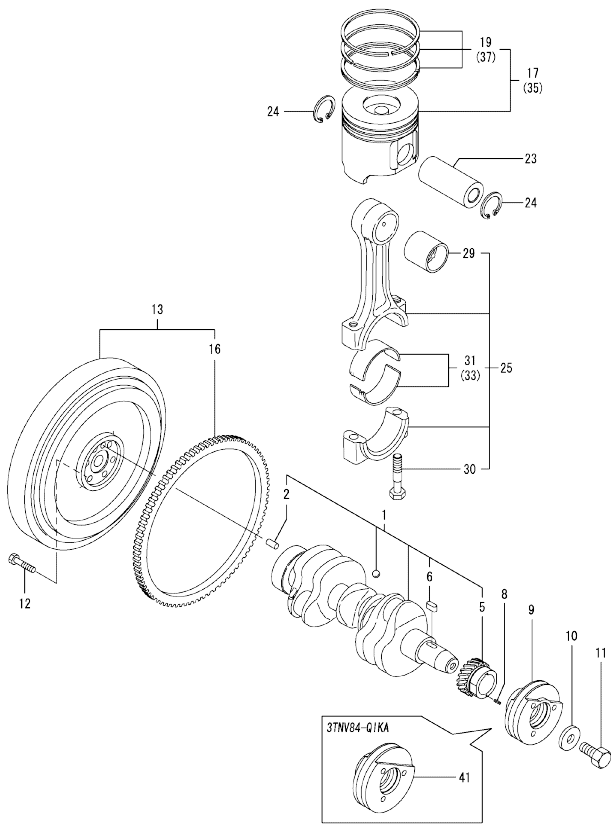
(A)=3TNV84-QJK
(B)=3TNV84-QJKA
(C)=

(D)=
(E)=
(F)=

No.	Lev.	Parts No.	Description	Q'ty						I	R
				(A)	(B)	(C)	(D)	(E)	(F)		
1	1	129150-14200	TAPPET	6	6						
2	1	129150-14400	ROD, PUSH L=178	6	6						
3	1	129129-14580	CAMSHAFT ASSY	1	1						
4	2	129150-02450	BEARING, THRUST	1	1						
7	2	129150-14101	GEAR, CAMSHAFT	1	1						
8	2	22512-070140	KEY, 7X 14	1	1						
9	1	26106-080142	BOLT, M8X 14 PLATED	2	2						
10	1	119802-25051	SHAFT, IDLE	1	1						
11	1	119802-25100	GEAR ASSY, IDLE	1	1						
11-1	1	119802-25101	GEAR ASSY, IDLE	1	1						N
		(A=E28114)	(B=E28108)								
14	2	119802-25070	BUSH, IDLE GEAR	1	1						1
14-1	2	119802-25071	BUSH, IDLE GEAR	1	1						N 1
		(A=E28114)	(B=E28108)								
15	1	26106-080402	BOLT, M8X 40 PLATED	3	3						
16	1	129150-25301	BOLT	4	4						
17	1	119802-25901	GEAR, PUMP	1	1						
18	1	158552-51151	FLANGE	1	1						
19	1	22217-140000	WASHER, SPRING 14	1	1						
20	1	26776-140002	NUT, LOCK M14	1	1						

Remarks
(1) REPAIR PART.

Fig.8. CRANKSHAFT & PISTON



(A)=3TNV84-QIK
(B)=3TNV84-QIKA
(C)=

(D)=
(E)=
(F)=

No.	Lev.	Parts No.	Description	Q'ty						I	R
				(A)	(B)	(C)	(D)	(E)	(F)		
1	1	129004-21001	CRANKSHAFT ASSY	1	1						
1-1	1	129004-21002	CRANKSHAFT ASSY	1	1						N
		(A=E15723) (B=E15265)									
2	2	129100-01580	PIN, M8X16	1	1						
5	2	119802-21201	GEAR, CRANKSHAFT	1	1						
5-1	2	119802-21202	GEAR, CRANKSHAFT	1	1						N
		(A=E15723) (B=E15265)									
6	2	22512-070140	KEY, 7X 14	1	1						
8	1	22351-030010	PIN, SPRING 3.0X10	1	1						
9	1	129004-21650	V-PULLEY, 110	1	1						
10	1	129795-21661	WASHER	1	1						
11	1	121850-21680	BOLT	1	1						
12	1	121111-21501	BOLT, FLYWHEEL	6	6						
13	1	129211-21590	FLYWHEEL ASSY	1	1						
16	2	119865-21600	GEAR, RING	1	1						
17	1	129004-22080	PISTON ASSY	3	3						
19	2	129004-22500	RING SET, PISTON	3	3						
23	1	129202-22300	PIN, PISTON D26 L70	3	3						
24	1	22252-000260	RING, 26	6	6						
25	1	729402-23100	ROD ASSY, CONNECTING	3	3						
29	2	129100-23910	BEARING, PISTON PIN	3	3						1
30	2	121550-23200	BOLT, CONNECTING ROD	6	6						
31	2	129150-23600	BEARING, CRANK PIN	3	3						
31-1	2	129150-23601	BEARING, CRANK PIN	3	3						N
		(A=E28114) (B=E28108)									
33	1	129150-23610	BEARING, 0.25 US	3	3						2
33-1	1	129150-23611	BEARING, 0.25 US	3	3						N 2
		(A=E28114) (B=E28108)									
35	1	129004-22900	PISTON ASSY, 0.25 OS	3	3						3
37	2	129004-22950	RING SET, 0.25 OS	3	3						3
41	1	129005-21650	V-PULLEY, 120	1	1						

Remarks
(1) REPAIR PART.
(2) UNDER-SIZE(U.S=0.25)PART.
(3) OVER-SIZE(O.S=0.25)PART.

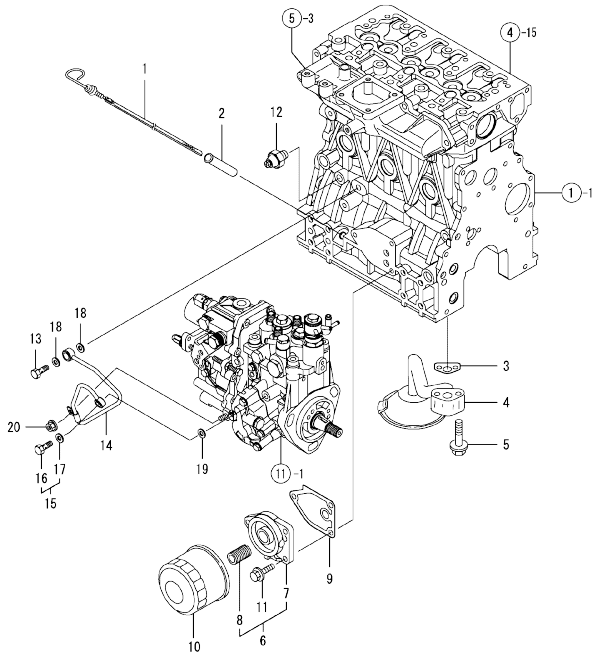
OCD10-M82001 ENGINE SECTION
 Fig.9. LUB.OIL SYSTEM

OCD10-M82001 Fig.9

(A)=3TNV84-QJK
 (B)=3TNV84-QJKA
 (C)=

(D)=
 (E)=
 (F)=

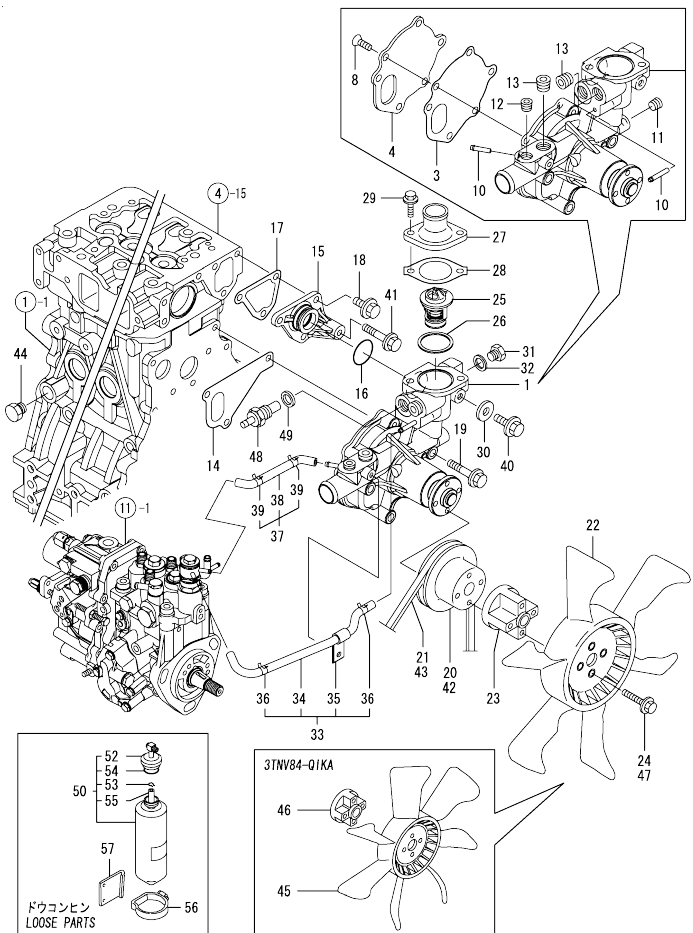
No.	Lev.	Parts No.	Description	Q'ty						I	R
				(A)	(B)	(C)	(D)	(E)	(F)		
1	1	129004-34801	DIPSTICK, OIL	1	1						
1-1	1	129004-34802	DIPSTICK, OIL	1	1						N
		(A=E15723) (B=E15265)									
2	1	121520-34810	GUIDE, DIPSTICK	1	1						
3	1	129150-35041	GASKET	1	1						
3-1	1	129150-35042	GASKET	1	1						N
		(A=E15723) (B=E15265)									
4	1	129100-35301	PIPE ASSY, OIL INLET	1	1						
5	1	26106-080352	BOLT, M8X 35 PLATED	2	2						
6	1	119802-35100	BRACKET ASSY, FILTER	1	1						
7	2	119802-35110	BRACKET, FILTER	1	1						
8	2	129100-35140	STUD	1	1						
9	1	129150-35111	GASKET	1	1						
10	1	129150-35153	FILTER 80X80L	1	1						1
11	1	26106-080202	BOLT, M8X 20 PLATED	3	3						
12	1	121252-39450	SWITCH, 0.5KG	1	1						
13	1	124160-39140	BOLT, PIPE JOINT M10	1	1						
14	1	119802-39450	PIPE ASSY, OIL	1	1						
15	1	129005-59830	BOLT ASSY, JOINT M8	1	1						
16	2	23857-030000	BOLT, JOINT 3	1	1						
17	2	22190-080002	WASHER, SEAL 6	1	1						
18	1	22190-100002	WASHER, SEAL 10	2	2						
19	1	22190-080002	WASHER, SEAL 6	1	1						
20	1	26366-060002	NUT, M6	1	1						



Remarks
 (1) REPAIR PART.

N:Old $\frac{100}{100}$ New, Q:Old $\frac{100}{100}$ New, R:Old $\frac{100}{100}$ New, S:Old $\frac{100}{100}$ New, W:Add, Z:Discontinued, F:Interchangeable by set, K:Qty Change
 Copyright (C) YANMAR GLOBAL CS CO., LTD. All Rights Reserved.

Fig.10. COOLING WATER SYSTEM



(A)=3TNV84-Q1K
(B)=3TNV84-Q1KA
(C)=

(D)=
(E)=
(F)=

No.	Lev.	Parts No.	Description	Q'ty						I	R
				(A)	(B)	(C)	(D)	(E)	(F)		
1	1	129004-42001	PUMP ASSY, WATER	1	1						
3	2	129100-42051	GASKET, WATER PUMP	1	1						
4	2	129100-42121	PLATE	1	1						
8	2	121850-42410	SCREW	3	3						
10	2	119802-49113	JOINT, PIPE	2	2						
11	2	23876-010000	PLUG, R01	1	1						
12	2	23876-020000	PLUG, R02	1	1						
13	2	129916-49740	PLUG, R03	2	2						
14	1	129486-42021	GASKET, WATER PUMP	1	1						
15	1	129004-42040	JOINT	1	1						
16	1	129486-42140	O-RING, G30	1	1						
17	1	124395-49840	GASKET	1	1						
18	1	26106-080162	BOLT, M8X 16 PLATED	3	3						
19	1	26106-080602	BOLT, M8X 60 PLATED	3	3						
20	1	129556-42350	V-PULLEY, 96		1						
21	1	119831-42290	V-BELT, A37.5		1						
22	1	171340-44740	FAN, COOLING D335XNF		1						
23	1	171353-44760	SPACER, FAN		1						
24	1	26106-060402	BOLT, M6X 40 PLATED	4							
25	1	129155-49801	THERMOSTAT, 71		1	1					
26	1	129150-49811	GASKET, THERMOSTAT		1	1					
27	1	129350-49530	COVER, THERMOSTAT		1	1					
28	1	129795-49551	GASKET		1	1					
29	1	26106-080222	BOLT, M8X 22 PLATED		2	2					
30	1	23414-080000	GASKET, 8X1.0		1	1					
31	1	121450-42450	PLUG, M16		1	1					
32	1	124465-44950	GASKET, 16		1	1					
33	1	129004-49610	PIPE ASSY, WATER		1	1					
34	2	129004-49711	PIPE ASSY, WATER		1	1					
35	2	119802-49730	RETAINER, PIPE		1	1					
36	2	124722-59050	CLIP, HOSE 9		2	2					
37	1	129004-49620	PIPE ASSY, WATER		1	1					
38	2	129004-49721	PIPE ASSY, WATER		1	1					
39	2	124722-59050	CLIP, HOSE 9		2	2					
40	1	26106-080122	BOLT, M8X 12 PLATED		1	1					
41	1	26106-080452	BOLT, M8X 45 PLATED		1	1					
42	1	129155-42350	V-PULLEY		1						
43	1	25132-003800	V-BELT, A38			1					
44	1	171056-49120	PLUG, DRAIN		1	1					
45	1	121267-44741	FAN, COOLING D=360		1						
46	1	121267-44760	SPACER		1						
47	1	26106-060302	BOLT, M6X 30 PLATED		4						
48	1	171056-49351	SENSOR		1	1					
49	1	129150-49360	GASKET		1	1					
50	1	171064-44510	TANK ASSY, SUB		1	1					
52	2	121450-44531	CAP		1	1					
53	2	124450-44560	RETAINER		1	1					
54	2	121470-44581	GASKET		1	1					
55	2	23065-070225	HOSE 7X 225		1	1					
56	1	124450-44550	BAND		1	1					
57	1	121256-44600	BRACKET, SUB TANK		1	1					

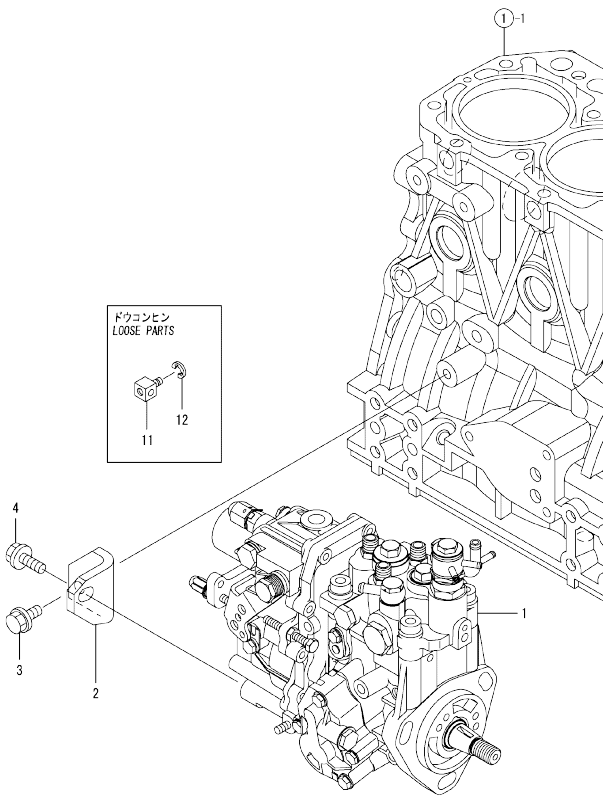
N:Old $\frac{100}{100}$ New, Q:Old $\frac{100}{100}$ New, R:Old $\frac{100}{100}$ New, S:Old $\frac{100}{100}$ New, W:Add, Z:Discontinued, F:Interchangeable by set, K:Q'ty Change
Copyright (C) YANMAR GLOBAL CS CO., LTD. All Rights Reserved.

Fig.11. FUEL INJECTION PUMP

(A)=3TNV84-QJK
(B)=3TNV84-QJKA
(C)=

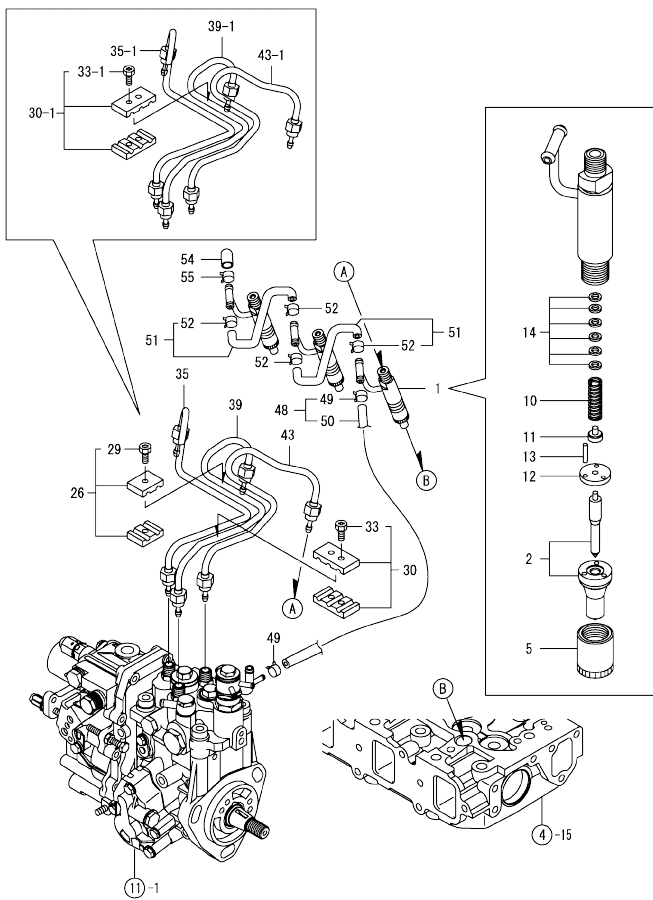
(D)=
(E)=
(F)=

No.	Lev.	Parts No.	Description	Q'ty						I	R
				(A)	(B)	(C)	(D)	(E)	(F)		
1	1	729240-51350	PUMP ASSY, INJECTION	1	1						1
2	1	119802-51250	RETAINER, PUMP	1	1						
3	1	26106-080162	BOLT, M8X 16 PLATED	1	1						
4	1	26106-080202	BOLT, M8X 20 PLATED	1	1						
11	1	124756-67510	RETAINER	1	1						W
(A=FROM 1ST) (B=FROM 1ST)											
12	1	22272-000070	RING, E- 7	1	1						W
(A=FROM 1ST) (B=FROM 1ST)											



Remarks
(1) REFER TO FIG.17 & 18 FOR INNER PARTS.

Fig.12. FUEL INJECTION VALVE



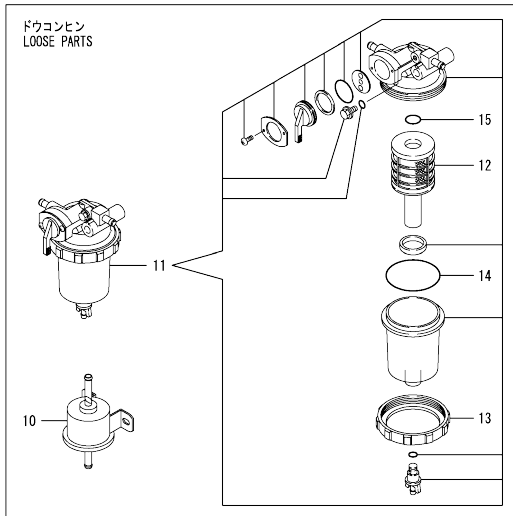
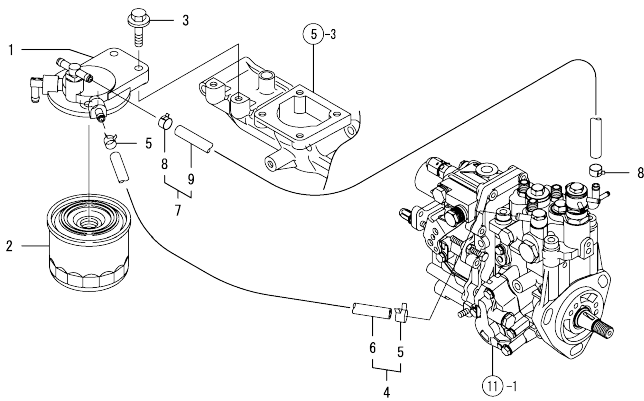
(A)=3TNV84-QJK
(B)=3TNV84-QJKA
(C)=

(D)=
(E)=
(F)=

No.	Lev.	Parts No.	Description	Q'ty						I	R	
				(A)	(B)	(C)	(D)	(E)	(F)			
1	1	729244-53100	VALVE ASSY,INJECTION		3	3						
2	2	129234-53001	VALVE ASSY,INJECTION		3	3						
5	2	114250-53080	NUT, NOZZLE D16.95		3	3						
10	2	114250-53120	SPRING, NOZZLE		3	3						
11	2	114250-53130	SEAT, SPRING		3	3						
12	2	114250-53140	PLATE		3	3						
13	2	114250-53210	PIN		6	6						
14	2	114250-53400	SHIM SET		3	3						
26	1	119305-59120	RETAINER, PIPE		1	1						Z
29	2	129150-59131	BOLT, M4X14		1	1						Z
30	1	129150-59120	RETAINER, PIPE		1	1						K
30-1	1	129150-59120	RETAINER, PIPE		2	2						K
33	2	129150-59131	BOLT, M4X14		2	2						K
33-1	2	129150-59131	BOLT, M4X14		4	4						K
35	1	129004-59810	PIPE ASSY, INJECTION		1	1						S
35-1	1	129004-59811	PIPE ASSY, INJECTION		1	1						S
39	1	129004-59820	PIPE ASSY, INJECTION		1	1						S
39-1	1	129004-59821	PIPE ASSY, INJECTION		1	1						S
43	1	129004-59830	PIPE ASSY, INJECTION		1	1						S
43-1	1	129004-59831	PIPE ASSY, INJECTION		1	1						S
48	1	119802-59550	PIPE ASSY, RETURN		1	1						N
49	2	124722-59050	CLIP, HOSE 9		2	2						N
50	2	119802-59560	PIPE, FUEL RETURN		1	1						N
51	1	129486-59551	PIPE ASSY, RETURN		2	2						N
52	2	124722-59050	CLIP, HOSE 9		4	4						N
54	1	119593-59580	CAP		1	1						N
54-1	1	119593-59581	CAP		1	1						N
55	1	124060-77680	CLIP, HOSE 10		1	1						N

N:Old $\frac{100}{100}$ New, Q:Old $\frac{100}{100}$ New, R:Old $\frac{100}{100}$ New, S:Old $\frac{100}{100}$ New, W:Add, Z:Discontinued, F:Interchangeable by set, K:Q'ty Change
Copyright (C) YANMAR GLOBAL CS CO., LTD. All Rights Reserved.

Fig.13. FUEL LINE

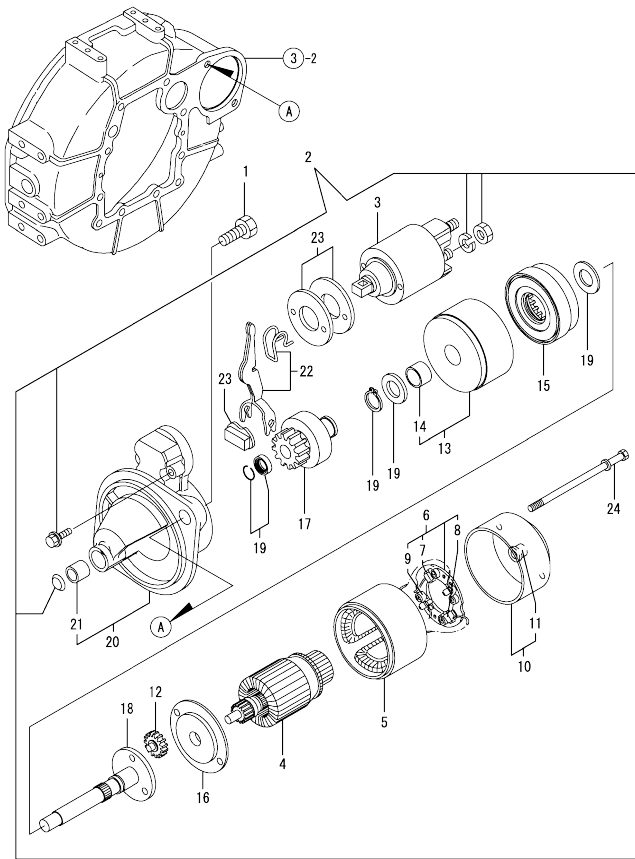


(A)=3TNV84-QJK
(B)=3TNV84-QJKA
(C)=

(D)=
(E)=
(F)=

No.	Lev.	Parts No.	Description	Q'ty						I	R
				(A)	(B)	(C)	(D)	(E)	(F)		
1	1	129004-55610	BRACKET, FILTER	1	1						
1-1	1	129004-55611	BRACKET, FILTER	1	1						R
		(A=E17995) (B=E17763)									
1-2	1	129004-55612	BRACKET, FILTER	1	1						R
		(A=E26768) (B=E26760)									
2	1	119802-55800	FILTER, FUEL	1	1						
2-1	1	119802-55801	FILTER, FUEL	1	1						R
		(A=E28114) (B=E28108)									
3	1	26106-080302	BOLT, M8X 30 PLATED	2	2						
4	1	129210-59100	PIPE ASSY, FUEL	1	1						
5	2	124766-59050	CLIP, HOSE 12	2	2						
6	2	105025-59580	PIPE, FUEL	1	1						
7	1	129210-59230	PIPE ASSY, FUEL	1	1						
8	2	124766-59050	CLIP, HOSE 12	2	2						
9	2	129555-59511	PIPE, FUEL	1	1						
10	1	119225-52102	PUMP ASSY, FUEL FEED	1	1						
11	1	119802-55700	SEPARATOR ASSY	1	1						
12	2	119802-55710	ELEMENT	1	1						
13	2	129100-55690	RING, RETAINING	1	1						
14	2	24321-000650	O-RING, 1AG65.0	1	1						
15	2	24311-000160	O-RING, 1AP16.0	1	1						

Fig.14. STARTING MOTOR

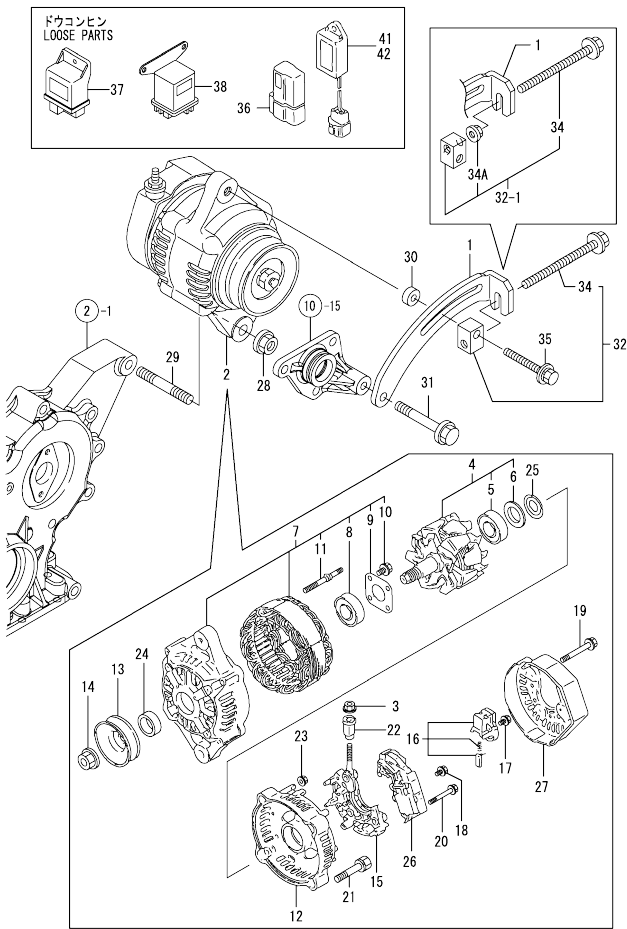


(A)=3TNV84-QJK
(B)=3TNV84-QJKA
(C)=

(D)=
(E)=
(F)=

No.	Lev.	Parts No.	Description	Q'ty					
				(A)	(B)	(C)	(D)	(E)	(F)
1	1	26116-120252	BOLT, M12X 25 PLATED	2	2				
2	1	129242-77010	STARTER	1	1				
3	2	129698-77020	MAGNETIC SWITCH ASSY	1	1				
4	2	129242-77100	ARMATURE ASSY	1	1				
5	2	129242-77110	YOKE ASSY	1	1				
6	2	129242-77120	BRUSH HOLDER ASSY	1	1				
7	3	129242-77130	BRUSH(-)	2	2				
8	3	129242-77140	BRUSH(+)	1	1				
9	3	129242-77150	BRUSH SPRING	4	4				
10	2	129242-77160	REAR COVER ASSY	1	1				
11	3	129242-77170	REAR COVER METAL	1	1				
12	2	118400-77170	GEAR	3	3				
13	2	129242-77180	CENTER BRACKET(P)	1	1				
14	3	129698-77190	BRACKET	1	1				
15	2	129698-77200	GEAR, INTERNAL	1	1				
16	2	129242-77210	CENTER BRACKET(A)	1	1				
17	2	129698-77220	PINION ASSY	1	1				
18	2	129698-77230	SHAFT(PINION)	1	1				
19	2	129698-77250	WASHER SET	1	1				
20	2	129242-77260	GEAR CASE ASSY	1	1				
21	3	X2114535200	METAL, STARTER	1	1				
22	2	129242-77270	SHIFT LEVER SET	1	1				
23	2	129242-77280	DUST COVER KIT	1	1				
24	2	124195-77770	THROUGH BOLT	2	2				

Fig.15. GENERATOR



(A)=3TNV84-QIK
(B)=3TNV84-QIKA
(C)=

(D)=
(E)=
(F)=

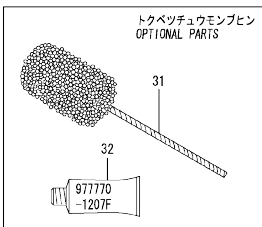
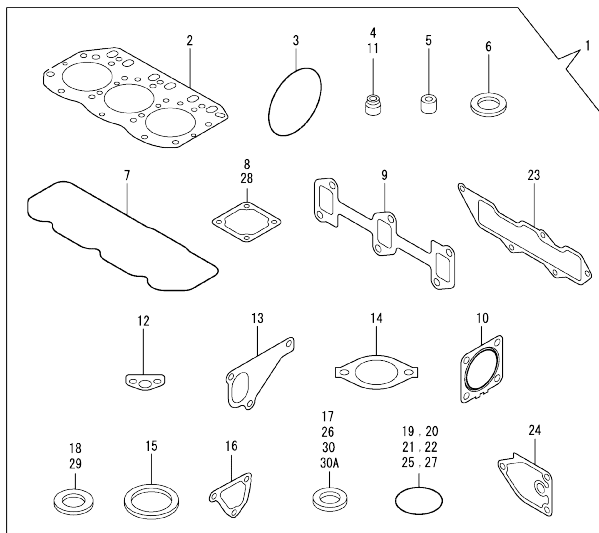
No.	Lev.	Parts No.	Description	Q'ty						I	R
				(A)	(B)	(C)	(D)	(E)	(F)		
1	1	129240-77320	ADJUSTER	1	1						
2	1	129240-77200	ALTERNATOR	1	1						
3	2	129240-79310	NUT	1	1						
4	2	119620-77380	ROTOR ASSY	1	1						
5	3	126501-79240	BALL BEARING	1	1						
5-1	3	123501-79240	BEARING, BALL	1	1						N
(A=E15723) (B=E15265)											
6	3	119620-79250	COVER, BEARING	1	1						
7	2	119620-77421	FRAME ASSY, DRIVE	1	1						
8	3	119620-79200	BALL BEARING	1	1						
9	3	119620-79210	PLATE	1	1						
10	3	119620-79220	SCREW	4	4						
11	3	119620-79230	BOLT, STUD	2	2						
12	2	119620-77440	FLAME ASSY, REAR	1	1						
13	2	119620-77461	PULLEY	1	1						
14	2	119620-77471	NUT	1	1						
15	2	119620-79260	HOLDER	1	1						
16	2	129052-79270	HOLDER, BRUSH	1	1						
17	2	119620-79290	SCREW	6	6						
18	2	119620-79300	SCREW	1	1						
19	2	119620-79310	BOLT	3	3						
20	2	119620-79320	SCREW W/WASHER	2	2						
21	2	119620-79330	BOLT	2	2						
22	2	119620-79340	INSULATION BUSH	1	1						
23	2	119620-79350	NUT	2	2						
24	2	119620-77490	COLLAR	1	1						
25	2	119620-79360	WASHER, THRUST	1	1						
26	2	129240-77710	REGULATOR ASSY	1	1						
27	2	129240-79300	COVER	1	1						
28	1	26306-100002	NUT, M10	1	1						
29	1	129795-01900	STUD	1	1						
30	1	119940-77270	SPACER, GENERATOR	1	1						
31	1	26106-080452	BOLT, M8X 45 PLATED	1	1						
32	1	129616-77350	BLOCK ASSY, ADJUSTER	1	1						
32-1	1	119624-77351	BLOCK ASSY, ADJUSTER	1	1						N
(A=E15723) (B=E15265)											
34	2	26106-081004	BOLT, M8X100 PLATED	1	1						
34A	2	26306-080002	NUT, M8	1	1						W
(A=E15723) (B=E15265)											
35	1	26106-080502	BOLT, M8X 50 PLATED	1	1						
35-1	1	26106-080552	BOLT, M8X 55 PLATED	1	1						N
(A=E15723) (B=E15265)											
36	1	119643-66900	DIODE	1	1						
37	1	119802-77200	RELAY, SAFETY	1	1						
38	1	119650-77910	RELAY ASSY, GLOW	1	1						
41	1	129211-77920	TIMER	1	1						
42	1	128300-77920	TIMER	1	1						

N:Old $\frac{100}{100}$ New, Q:Old $\frac{100}{100}$ New, R:Old $\frac{100}{100}$ New, S:Old $\frac{100}{100}$ New, W:Add, Z:Discontinued, F:Interchangeable by set, K:Q'ty Change
Copyright (C) YANMAR GLOBAL CS CO., LTD. All Rights Reserved.

Fig.16. GASKET SET

(A)=3TNV84-QJK
(B)=3TNV84-QJKA
(C)=

(D)=
(E)=
(F)=

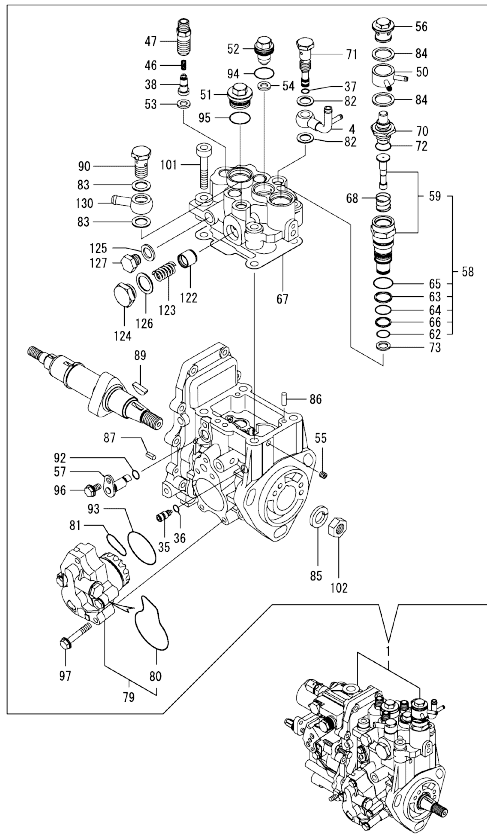


No.	Lev.	Parts No.	Description	Q'ty						I	R
				(A)	(B)	(C)	(D)	(E)	(F)		
1	1	729246-92700	GASKET SET	1	1						1
1-1	1	729246-92701	GASKET SET	1	1						N 1
		(A=EXXXXX) (B=EXXXXX)									
2	2	129002-01331	GASKET, HEAD	1	1						
3	2	121850-51960	O-RING	1	1						
4	2	124460-11340	SEAL, VALVE STEM	3	3						
5	2	119802-11870	PROTECTOR, NOZZLE	3	3						
6	2	119625-11880	SEAT, NOZZLE	3	3						
7	2	129004-11310	GASKET, BONNET	1	1						
8	2	129150-77511	GASKET	1	1						
9	2	129150-13110	GASKET	1	1						
10	2	129004-13200	GASKET, SILENCER	1	1						
11	2	121400-11340	SEAL, VALVE STEM	3	3						
12	2	129150-35041	GASKET	1	1						
12-1	2	129150-35042	GASKET	1	1						N
		(A=E15723) (B=E15265)									
13	2	129486-42021	GASKET, WATER PUMP	1	1						
14	2	129795-49551	GASKET	1	1						
15	2	129150-49811	GASKET, THERMOSTAT	1	1						
16	2	124395-49840	GASKET	1	1						
17	2	22190-080002	WASHER, SEAL 6	2	2						
18	2	124465-44950	GASKET, 16	1	1						
19	2	24311-000120	O-RING, 1AP12.0	3	3						
20	2	24311-000320	O-RING, 1AP32.0	2	2						
21	2	24341-000240	O-RING, 1AS24.0	1	1						
22	2	129486-42140	O-RING, G30	1	1						
23	2	129001-12110	GASKET, MANIFOLD	1	1						
24	2	129150-35111	GASKET	1	1						
25	2	119609-32040	O-RING, P16	4	4						
26	2	22190-100002	WASHER, SEAL 10	2	2						
27	2	24341-000250	O-RING, 1AS25.0	1	1						
28	2	129100-77510	GASKET, AIR HEATER	1	1						
29	2	23414-080000	GASKET, 8X1.0	1	1						
30	2	129150-49360	GASKET	1	1						
30A	2	22190-220002	WASHER, SEAL 22	1	1						W
		(A=E15723) (B=E15265)									
31	1	129400-92420	FLEX HORN	1	1						1
32	1	977770-1207F	GASKET, LIQUID	1	1						1

Remarks
(1) OPTIONAL PARTS.

N:Old $\frac{100}{100}$ New, Q:Old $\frac{100}{100}$ New, R:Old $\frac{100}{100}$ New, S:Old $\frac{100}{100}$ New, W:Add, Z:Discontinued, F:Interchangeable by set, K:Qty Change
Copyright (C) YANMAR GLOBAL CS CO., LTD. All Rights Reserved.

Fig.17. FUEL INJECTION PUMP(INNER PART



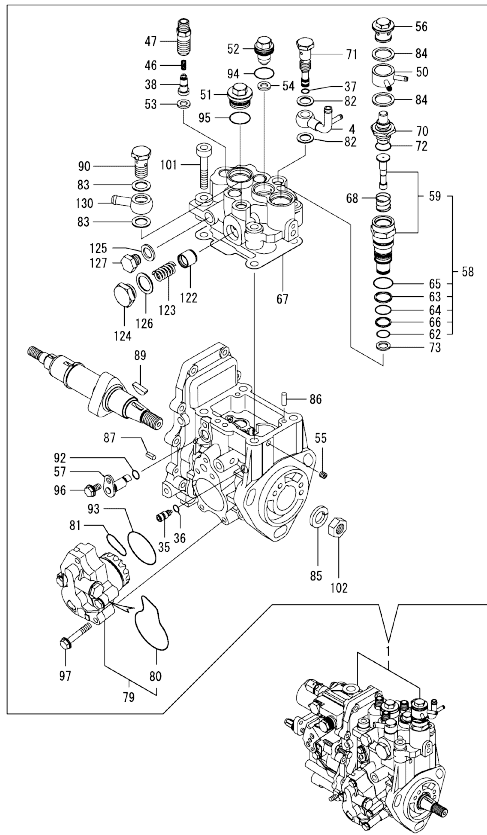
(A)=3TNV84-QJK
(B)=3TNV84-QJKA
(C)=

(D)=
(E)=
(F)=

No.	Lev.	Parts No.	Description	Q'ty						I	R
				(A)	(B)	(C)	(D)	(E)	(F)		
1	1	729240-51350	PUMP ASSY, INJECTION	1	1						1
4	2	158552-51670	JOINT, OVER FLOW	1	1						
35	2	158600-51270	STOPPER, TAPPET	1	1						
36	2	158563-51281	O-RING, 4D S6	1	1						
37	2	158563-51281	O-RING, 4D S6	1	1						
38	2	158560-51300	VALVE ASSY, DELIVERY	3	3						
46	2	158563-51330	SPRING, DELIVERY	3	3						
47	2	158601-51340	HOLDER, DELIVERY	3	3						
50	2	158553-51551	JOINT	1	1						
51	2	158601-51550	PLUG	1	1						
52	2	119802-51560	PLUG, BARREL	1	1						
53	2	158552-51570	GASKET	3	3						
54	2	158552-51570	GASKET	1	1						
55	2	158557-51570	PLUG	1	1						
56	2	158601-51570	PLUG	1	1						
57	2	158552-51580	LIFTER	1	1						
58	2	119802-51590	TIMER SET	1	1						
59	3	119802-51600	TIMER ASSY	1	1						
62	3	158553-51670	O-RING, 1011	1	1						
63	3	119802-51680	RING, BACK UP	1	1						
64	3	119802-51690	O-RING	1	1						
65	3	24356-010200	O-RING, 4D1020	1	1						
66	3	24372-000150	RING, BACK UP T2P15	1	1						
67	2	158552-51600	GASKET	1	1						
68	2	158553-51630	SPRING, TIMER	1	1						
70	2	158553-51640	ELEMENT	1	1						
71	2	158601-51650	JOINT, OVER FLOW	1	1						
72	2	158553-51660	O-RING, P14	1	1						
73	2	158553-51680	GASKET	1	1						
79	2	158552-52100	PUMP ASSY, FUEL FEED	1	1						
80	3	158552-52500	O-RING	1	1						
81	2	158552-52310	O-RING	1	1						
82	2	22190-120002	WASHER, SEAL 12	2	2						
83	2	22190-120002	WASHER, SEAL 12	2	2						
84	2	22190-180002	WASHER, SEAL 18	2	2						
85	2	22217-140000	WASHER, SPRING 14	1	1						
86	2	22312-050140	PIN, PARALLEL M5X14	2	2						
87	2	22351-050010	PIN, SPRING 5.0X10	2	2						
89	2	119802-51090	KEY, 4X16	1	1						
90	2	23857-060000	BOLT, JOINT 6	1	1						
92	2	24311-000070	O-RING, 1AP7.0	1	1						
93	2	158552-52400	O-RING, 4E S42	1	1						
94	2	24356-010180	O-RING, 4D1018	1	1						
95	2	24356-010200	O-RING, 4D1020	1	1						
96	2	26106-060102	BOLT, M6X 10 PLATED	1	1						
97	2	158553-51770	BOLT	4	4						
101	2	26450-080452	BOLT, M8X 45	4	4						
102	2	26776-140002	NUT, LOCK M14	1	1						
122	2	158601-51770	PISTON	1	1						
123	2	158552-51780	SPRING	1	1						
123-1	2	158552-51781	SPRING	1	1						N

Remarks
(1) GOVERNOR ASSY(FIG.18) IS INCORPORATED IN THIS FOP.CMP (REF.NO.1).

Fig.17. FUEL INJECTION PUMP(INNER PART



(A)=3TNV84-QJK
(B)=3TNV84-QJKA
(C)=

(D)=
(E)=
(F)=

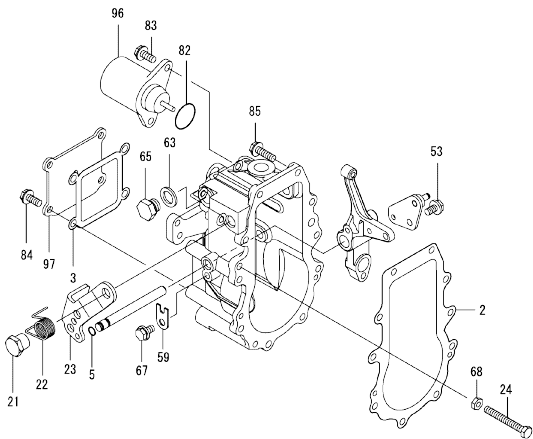
No.	Lev.	Parts No.	Description	Q'ty						
				(A)	(B)	(C)	(D)	(E)	(F)	
			(A=EXXXXX) (B=EXXXXX)							
124	2	158601-51790	PLUG	1	1					
125	2	22190-120002	WASHER, SEAL 12	1	1					
126	2	22190-180002	WASHER, SEAL 18	1	1					
127	2	23887-120002	PLUG, 12	1	1					
130	2	129916-59020	JOINT, PIPE 12	1	1					

Remarks
(1) GOVERNOR ASSY(FIG.18) IS
INCORPORATED IN THIS FOP.CMP
(REF.NO.1).

Fig.18. GOVERNOR(INNER PARTS)

(A)=3TNV84-QJK
(B)=3TNV84-QJKA
(C)=

(D)=
(E)=
(F)=



No.	Lev.	Parts No.	Description	Q'ty					
				(A)	(B)	(C)	(D)	(E)	(F)
2	2	158553-61050	GASKET	1	1				
3	2	158553-61070	GASKET	1	1				
5	2	129155-51280	O-RING, S6	1	1				
21	2	129255-61410	NUT, LOCK	1	1				
22	2	119807-61420	SPRING, RETURN	1	1				
23	2	158552-61441	LEVER, REGULATOR	1	1				
24	2	129155-61460	BOLT, IDLE	1	1				
53	2	26106-060102	BOLT, M6X 10 PLATED	1	1				
59	2	119660-61901	RETAINER, SHAFT	1	1				
63	2	22190-120000	WASHER, SEAL 12	1	1				
65	2	23887-120002	PLUG, 12	1	1				
67	2	26106-060102	BOLT, M6X 10 PLATED	1	1				
68	2	26756-060002	NUT, LOCK M6	1	1				
82	2	158552-61900	O-RING	1	1				
83	2	26106-060142	BOLT, M6X 14 PLATED	2	2				
84	2	26106-060142	BOLT, M6X 14 PLATED	4	4				
85	2	26106-060202	BOLT, M6X 20 PLATED	10	10				
96	2	119233-77932	SOLENOID, STOP	1	1				
97	2	129642-61060	COVER, GOVERNOR CASE	1	1				

Remarks
* THIS FIGURE(GOVERNOR ASSY)IS
INCORPORATED IN THE FUEL INJECTION
PUMP ASSY(FIG.17).

Parts No. Index

Parts No.	Fig. No.	Ref. No.
105025-59580	13	6
114250-53080	12	5
114250-53120	12	10
114250-53130	12	11
114250-53140	12	12
114250-53210	12	13
114250-53400	12	14
118400-77170	14	12
119131-18320	6	3
119225-52102	13	10
119233-77932	18	96
119305-59120	12	26
119593-59580	12	54
119593-59581	12	54 -1
119609-32040	2	17
	16	25
119620-01750	3	3
119620-77380	15	4
119620-77421	15	7
119620-77440	15	12
119620-77461	15	13
119620-77471	15	14
119620-77490	15	24
119620-79200	15	8
119620-79210	15	9
119620-79220	15	10
119620-79230	15	11
119620-79250	15	6
119620-79260	15	15
119620-79290	15	17
119620-79300	15	18
119620-79310	15	19
119620-79320	15	20
119620-79330	15	21
119620-79340	15	22
119620-79350	15	23
119620-79360	15	25
119624-77351	15	32 -1
119625-11880	4	33
	16	6
119640-01640	3	9 -1
119643-66900	15	36
119650-77910	15	38
119660-61901	18	59
119802-01520	2	12
119802-01560	2	13
119802-01561	2	13 -1
119802-03110	4	44
119802-03120	4	45
119802-03121	4	45 -1

Parts No.	Fig. No.	Ref. No.
119802-03130	4	46
119802-03140	4	47
119802-03141	4	47 -1
119802-11260	4	6
119802-11270	4	7
119802-11280	4	8
119802-11870	4	32
	16	5
119802-12560	5	12
119802-21201	8	5
119802-21202	8	5 -1
119802-25051	7	10
119802-25070	7	14
119802-25071	7	14 -1
119802-25100	7	11
119802-25101	7	11 -1
119802-25901	7	17
119802-32070	2	8
119802-32100	2	7
119802-32111	2	18
119802-32120	2	19
119802-32130	2	20
119802-35100	9	6
119802-35110	9	7
119802-39450	9	14
119802-49113	10	10
119802-49730	10	35
119802-51090	17	89
119802-51250	11	2
119802-51560	17	52
119802-51590	17	58
119802-51600	17	59
119802-51680	17	63
119802-51690	17	64
119802-55700	13	11
119802-55710	13	12
119802-55800	13	2
119802-55801	13	2 -1
119802-59550	12	48
119802-59560	12	50
119802-77200	15	37
119807-61420	18	22
119808-12520	5	16
		29
119808-12540	5	18
		31
119831-42290	10	21
119865-21600	8	16
119866-12541	5	19
119910-12210	5	11

Parts No.	Fig. No.	Ref. No.
119910-12510	5	15
119910-12601	5	14
119940-77270	15	30
120130-11860	4	19
120270-54410	4	35
121023-01550	2	28
121023-01551	2	28 -1
121111-21501	8	12
121252-39450	9	12
121256-44600	10	57
121267-44741	10	45
121267-44760	10	46
121400-11340	4	28
	16	11
121450-42450	10	31
121450-44531	10	52
121470-44581	10	54
121520-34810	9	2
121550-23200	8	30
121820-12590	5	33
121850-21680	8	11
121850-42410	10	8
121850-51960	2	21
	16	3
123501-79240	15	5 -1
123900-13610	6	5
123900-13630	6	4
124060-01050	1	5
124060-77680	12	55
124160-01751	2	14
	4	40
124160-01910	1	7
		8
124160-11360	4	53
124160-39140	9	13
124195-77770	14	24
124240-01871	2	15
124395-49840	10	17
	16	16
124450-44550	10	56
124450-44560	10	53
124460-11340	4	29
	16	4
124465-44950	10	32
	16	18
124722-59050	10	36
		39
	12	49
		52
124756-67510	11	11

Parts No.	Fig. No.	Ref. No.
124766-59050	13	5
		8
126501-79240	15	5
126650-12680	5	21
		33 A
		34
128300-77920	15	42
129001-01250	1	6
129001-02930	1	25
129001-02931	1	25 -1
129001-12110	5	5
	16	23
129001-32330	2	11
129001-91841	2	22
129002-01331	1	33
	16	2
129004-01190	1	31
129004-03010	4	42
129004-03080	5	1
129004-11100	4	24
129004-11130	4	24 -1
129004-11241	4	3
129004-11251	4	4
129004-11310	4	50
	16	7
129004-11350	4	41
129004-11650	4	10
129004-11700	4	15
129004-11900	4	34
129004-12100	5	3
129004-13129	6	1
129004-13200	6	7
	16	10
129004-21001	8	1
129004-21002	8	1 -1
129004-21650	8	9
129004-22080	8	17
129004-22500	8	19
129004-22900	8	35
129004-22950	8	37
129004-34801	9	1
129004-34802	9	1 -1
129004-42001	10	1
129004-42040	10	15
129004-49610	10	33
129004-49620	10	37
129004-49711	10	34
129004-49721	10	38
129004-55610	13	1
129004-55611	13	1 -1

Parts No. Index

Parts No.	Fig. No.	Ref. No.
129004-55612	13	1 -2
129004-59810	12	35
129004-59811	12	35 -1
129004-59820	12	39
129004-59821	12	39 -1
129004-59830	12	43
129004-59831	12	43 -1
129005-21650	8	41
129005-59830	9	15
129051-12500	5	27
129051-12510	5	28
129051-12530	5	17
		30
129051-12540	5	32
129052-79270	15	16
129100-01580	3	1
		15
		8
		2
129100-01640	3	16
129100-01730	3	6
129100-01760	3	8
129100-11110	4	25
129100-11111	4	25 -1
129100-11112	4	25 -2
129100-23910	8	29
129100-35140	9	8
129100-35301	9	4
129100-42051	10	3
129100-42121	10	4
129100-55690	13	13
129100-77500	5	8
129100-77501	5	8 -1
129100-77510	5	10
	16	28
129129-14580	7	3
129150-01200	1	32
129150-02020	1	10
129150-02450	7	4
129150-02870	1	34
129150-02871	1	34 -1
129150-02930	1	28
129150-02931	1	28 -1
129150-02940	1	37
129150-02941	1	37 -1
129150-03070	4	43
129150-11230	4	11
129150-11280	4	9
129150-11370	4	14
129150-11750	4	13
129150-11810	4	21

Parts No.	Fig. No.	Ref. No.
129150-13110	6	2
	16	9
129150-14101	7	7
129150-14200	7	1
129150-14400	7	2
129150-23600	8	31
129150-23601	8	31 -1
129150-23610	8	33
129150-23611	8	33 -1
129150-25301	7	16
129150-35041	9	3
	16	12
129150-35042	9	3 -1
	16	12 -1
129150-35111	9	9
	16	24
129150-35153	9	10
129150-49360	10	49
	16	30
129150-49811	10	26
	16	15
129150-59120	12	30
		30 -1
129150-59131	12	29
		33
		33 -1
129150-77511	5	9
	16	8
129155-42350	10	42
129155-49801	10	25
129155-51280	18	5
129155-61460	18	24
129202-22300	8	23
129210-59100	13	4
129210-59230	13	7
129211-21590	8	13
129211-77920	15	41
129234-53001	12	2
129240-12540	5	27 -1
129240-13550	6	8
129240-77200	15	2
129240-77320	15	1
129240-77710	15	26
129240-79300	15	27
129240-79310	15	3
129242-77010	14	2
129242-77100	14	4
129242-77110	14	5
129242-77120	14	6
129242-77130	14	7

Parts No.	Fig. No.	Ref. No.
129242-77140	14	8
129242-77150	14	9
129242-77160	14	10
129242-77170	14	11
129242-77180	14	13
129242-77210	14	16
129242-77260	14	20
129242-77270	14	22
129242-77280	14	23
129255-61410	18	21
129350-49530	10	27
129400-92420	16	31
129410-03990	5	2
129418-32320	2	10
129486-01670	3	19
129486-42021	10	14
	16	13
129486-42140	10	16
	16	22
	12	51
129486-59551	13	9
129555-59511	10	20
129556-42350	3	2
129612-01600	5	20
129612-12650	15	32
129616-77350	18	97
129642-61060	14	3
129698-77020	14	14
129698-77190	14	15
129698-77200	14	17
129698-77220	14	18
129698-77230	14	19
129698-77250	3	18
129795-01780	2	6
129795-01800	15	29
129795-01900	2	16
129795-01950	1	13
129795-02411	1	13 -1
129795-02412	4	26
129795-11120	4	27
129795-11180	8	10
129795-21661	10	28
129795-49551	16	14
	4	1
129900-07900	2	9
129900-32130	10	13
129916-49740	17	130
129916-59020	7	18
158552-51151	17	53
158552-51570	17	54

Parts No.	Fig. No.	Ref. No.
158552-51580	17	57
158552-51600	17	67
158552-51670	17	4
158552-51780	17	123
158552-51781	17	123 -1
158552-52100	17	79
158552-52310	17	81
158552-52400	17	93
158552-52500	17	80
158552-61441	18	23
158552-61900	18	82
158553-51551	17	50
158553-51630	17	68
158553-51640	17	70
158553-51660	17	72
158553-51670	17	62
158553-51680	17	73
158553-51770	17	97
158553-61050	18	2
158553-61070	18	3
158557-51570	17	55
158560-51300	17	38
158563-51281	17	36
		37
158563-51330	17	46
158600-51270	17	35
158601-51340	17	47
158601-51550	17	51
158601-51570	17	56
158601-51650	17	71
158601-51770	17	122
158601-51790	17	124
171051-01921	1	9
171056-49120	10	44
171056-49351	10	48
171064-44510	10	50
171301-01640	3	9
171340-44740	10	22
171340-77520	5	25
171353-44760	10	23
22190-080002	9	17
		19
		16
		17
22190-100002	9	18
		16
		26
22190-120000	18	63
22190-120002	17	82
		83
		125
22190-180002	17	84

Parts No. Index

Parts No.	Fig. No.	Ref. No.
22190-180002	17	126
22190-220002	3	11 -1
	16	30 A
22217-140000	7	19
	17	85
22252-000260	8	24
22272-000070	11	12
22312-050140	17	86
22351-030010	8	8
22351-050010	17	87
22351-060012	4	36
22512-070140	7	8
	8	6
22857-500100	4	51
		52
23000-060000	5	22
23065-070225	10	55
23414-080000	10	30
	16	29
23857-030000	9	16
23857-060000	17	90
23876-010000	10	11
23876-020000	10	12
23876-030000	2	4
23876-040000	2	5
23887-120002	17	127
	18	65
24311-000070	17	92
24311-000120	4	54
	16	19
24311-000160	13	15
24311-000320	2	23
	4	55
	16	20
24321-000650	13	14
24341-000240	2	29
	16	21
24341-000250	3	11
	16	27
24356-010180	17	94
24356-010200	17	65
		95
24372-000150	17	66
25132-003800	10	43
26013-080222	5	23
		24
26106-060102	17	96
	18	53
		67
26106-060142	18	83

Parts No.	Fig. No.	Ref. No.
26106-060142	18	84
26106-060162	2	30
26106-060202	18	85
26106-060302	10	47
26106-060402	10	24
26106-080122	10	40
26106-080142	4	2
	7	9
26106-080162	2	24
		25
	3	12
	4	2 -1
	10	18
	11	3
26106-080202	5	6
	9	11
	11	4
26106-080222	10	29
26106-080252	3	13
	4	37
26106-080302	13	3
26106-080352	3	20
	4	38
	9	5
26106-080402	5	26
	7	15
26106-080452	3	14
		14 -1
	10	41
	15	31
26106-080502	3	22
	4	39
	15	35
26106-080552	2	26
	15	35 -1
26106-080602	10	19
26106-080802	5	7
		13
26106-081004	15	34
26106-100202	6	9
26116-120252	14	1
26206-100252	3	4
26206-100302	3	5
26306-080002	2	27
	6	6
		10
	15	34 A
26306-100002	15	28
26366-060002	9	20
26450-080452	17	101

Parts No.	Fig. No.	Ref. No.
26756-060002	18	68
26776-140002	7	20
	17	102
27241-120000	1	14
27241-300000	1	15
27241-400000	4	23
27310-080001	4	30
719802-01500	2	1
729004-01560	1	1
729240-51350	11	1
	17	1
729244-53100	12	1
729246-92700	16	1
729246-92701	16	1 -1
729402-23100	8	25
977770-1207F	2	31
	3	21
	4	56
	16	32
X2114535200	14	21

Parts No.	Fig. No.	Ref. No.
-----------	----------	----------