

0CD10-M79401EN

# PREFACE

1. This parts catalog is the 2nd edition of 3TNV84-SIK for KATO WORKS CO.,LTD.

Pub.No.: 000Y00D7941

Published : November.,2006

2. Model name

Engine model	Vehicle		Vehicle made by
	Products	Model name	
3TNV84-SIK	Excavator	30VX/30VZ	KATO WORKS CO.,LTD.

## Contents

0CD10-M79401

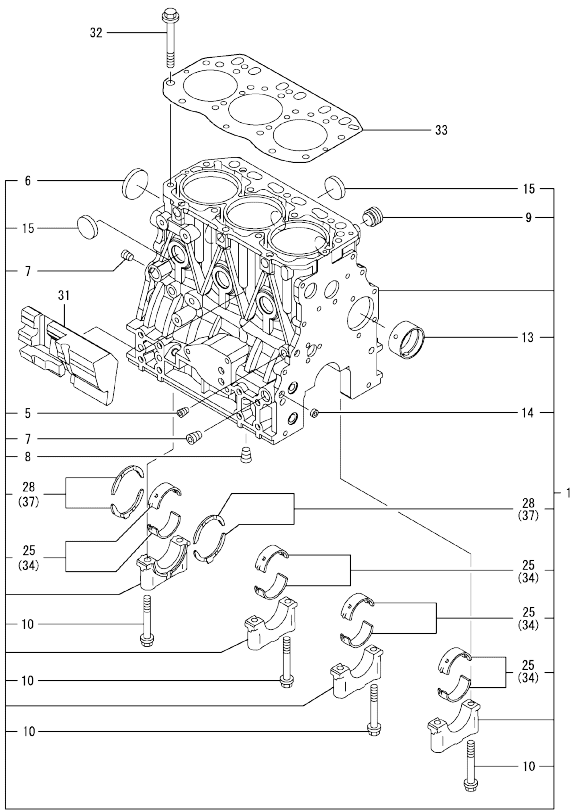
Fig. No.	Fig. Name	Fig. No.	Fig. Name
ENGINE SECTION			
1.	CYLINDER BLOCK		
2.	GEAR HOUSING		
3.	FLYWHEEL HOUSING & OIL SUMP		
4.	CYLINDER HEAD & BONNET		
5.	SUCTION MANIFOLD & AIR CLEANER		
6.	EXHAUST MANIFOLD & SILENCER		
7.	CAMSHAFT & DRIVING GEAR		
8.	CRANKSHAFT & PISTON		
9.	LUB. OIL SYSTEM		
10.	COOLING WATER SYSTEM		
11.	FUEL INJECTION PUMP		
12.	FUEL INJECTION VALVE		
13.	FUEL LINE		
14.	STARTING MOTOR		
15.	GENERATOR		
16.	GASKET SET		
17.	FUEL INJECTION PUMP(INNER PART		
18.	GOVERNOR(INNER PARTS)		

OCD10-M79401 ENGINE SECTION  
 Fig.1. CYLINDER BLOCK

OCD10-M79401 Fig.1

(A)=3TNV84-SIK  
 (B)=  
 (C)=

(D)=  
 (E)=  
 (F)=

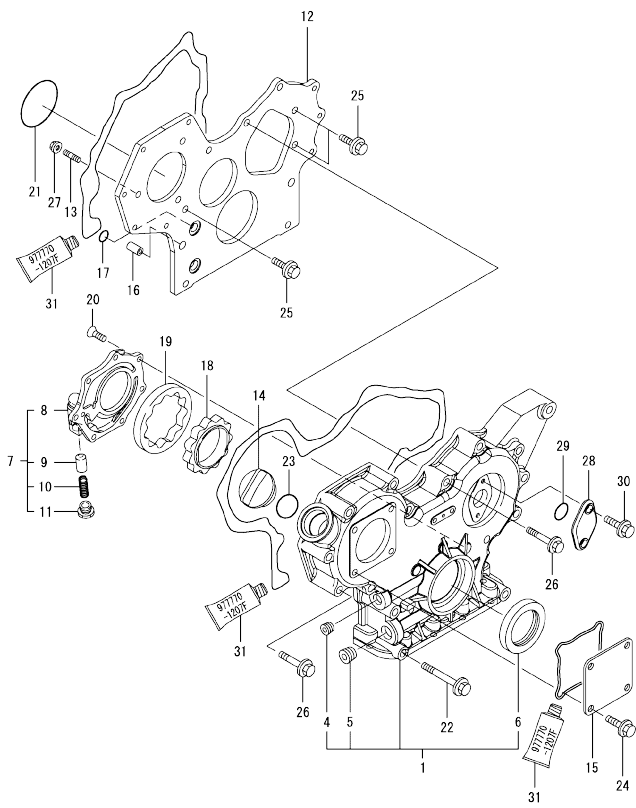


No.	Lev.	Parts No.	Description	Q'ty						I	R
				(A)	(B)	(C)	(D)	(E)	(F)		
1	1	729004-01560	BLOCK ASSY, CYLINDER	1							
5	2	124060-01050	PLUG, PT1/8	1							
6	2	129001-01250	PLUG, 50	1							
7	2	124160-01910	PLUG, PT1/4	2							
8	2	124160-01910	PLUG, PT1/4	1							
9	2	171051-01921	PLUG, NPTF1	1							
10	2	129150-02020	BOLT, METAL CAP	8							
13	2	129795-02411	BUSH, CAMSHAFT	1							
13-1	2	129795-02412	BUSH, CAMSHAFT	1							N
(A=E28112)											
14	2	27241-120000	PLUG, 12	2							
15	2	27241-300000	PLUG 30	6							
25	2	129001-02930	BEARING, MAIN	4							3
25-1	2	129001-02931	BEARING, MAIN	4							N 3
(A=E28112)											
28	2	129150-02930	BEARING, THRUST	2							
28-1	2	129150-02931	BEARING, THRUST	2							N
(A=E28112)											
31	1	129004-01190	SPACER	1							
32	1	129150-01200	BOLT, HEAD	14							
33	1	129002-01331	GASKET, HEAD	1							
34	1	129150-02870	BEARING, 0.25 US	4							1
34-1	1	129150-02871	BEARING, 0.25 US	4							N 1
(A=E28112)											
37	1	129150-02940	BEARING, THRUST 0.25	1							2
37-1	1	129150-02941	BEARING, THRUST 0.25	1							N 2
(A=E28112)											

Remarks  
 (1) UNDER-SIZE(U.S=0.25)PART.  
 (2) OVER-SIZE(O.S=0.25)PART.  
 (3) REPAIR PART.

N:Old  $\frac{100}{100}$  New, Q:Old  $\frac{100}{100}$  New, R:Old  $\frac{100}{100}$  New, S:Old  $\frac{100}{100}$  New, W:Add, Z:Discontinued, F:Interchangeable by set, K:Q'ty Change  
 Copyright (C) YANMAR GLOBAL CS CO., LTD. All Rights Reserved.

OCD10-M79401 ENGINE SECTION  
 Fig.2. GEAR HOUSING



OCD10-M79401 Fig.2

(A)=3TNV84-SIK  
 (B)=  
 (C)=

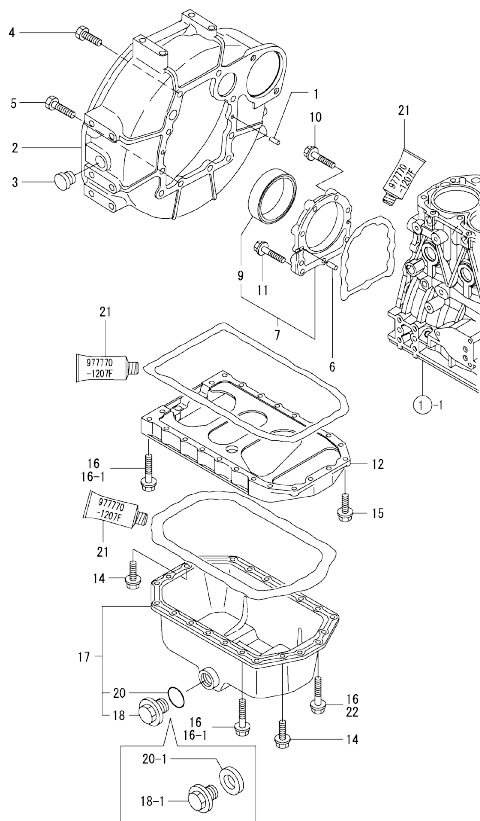
(D)=  
 (E)=  
 (F)=

No.	Lev.	Parts No.	Description	Qty						I	R	
				(A)	(B)	(C)	(D)	(E)	(F)			
1	1	719802-01500	CASE ASSY, GEAR	1								
4	2	23876-030000	PLUG, R03	1								
5	2	23876-040000	PLUG, R04	1								
6	2	129795-01800	SEAL, OIL	1								
7	1	119802-32100	COVER ASSY	1								
8	2	119802-32070	COVER	1								
9	2	129900-32130	VALVE, RELIEF	1								
10	2	129418-32320	SPRING	1								
11	2	129001-32330	PLUG	1								
12	1	119802-01520	FLANGE, GEAR CASE	1								
13	1	119802-01560	STUD, M8X25	3								
13-1	1	119802-01561	STUD, M8X25	3								R
(A=E21531)												
14	1	124160-01751	COVER, FILLER	1								
15	1	124240-01871	COVER	1								
16	1	129795-01950	PIPE, KNOCK L=18	2								
17	1	119609-32040	O-RING, P16	4								
18	1	119802-32111	ROTOR, INNER	1								
19	1	119802-32120	ROTOR, OUTER	1								
20	1	119802-32130	SCREW, M6X16	7								
21	1	121850-51960	O-RING	1								
22	1	129001-91841	BOLT, M8X85	3								
23	1	24311-000320	O-RING, 1AP32.0	1								
24	1	26106-080162	BOLT, M8X 16 PLATED	4								
25	1	26106-080162	BOLT, M8X 16 PLATED	3								
26	1	26106-080552	BOLT, M8X 55 PLATED	12								
27	1	26306-080002	NUT, M8	3								
28	1	121023-01550	COVER	1								
28-1	1	121023-01551	COVER	1								R
(A=E22991)												
29	1	24341-000240	O-RING, 1AS24.0	1								
30	1	26106-060162	BOLT, M6X 16 PLATED	2								
31	1	977770-1207F	GASKET,LIQUID	1								1

Remarks  
 (1) OPTIONAL PART.

N:Old  $\frac{100}{100}$  New, Q:Old  $\frac{100}{100}$  New, R:Old  $\frac{100}{100}$  New, S:Old  $\frac{100}{100}$  New, W:Add, Z:Discontinued, F:Interchangeable by set, K:Qty Change  
 Copyright (C) YANMAR GLOBAL CS CO., LTD. All Rights Reserved.

Fig.3. FLYWHEEL HOUSING & OIL SUMP



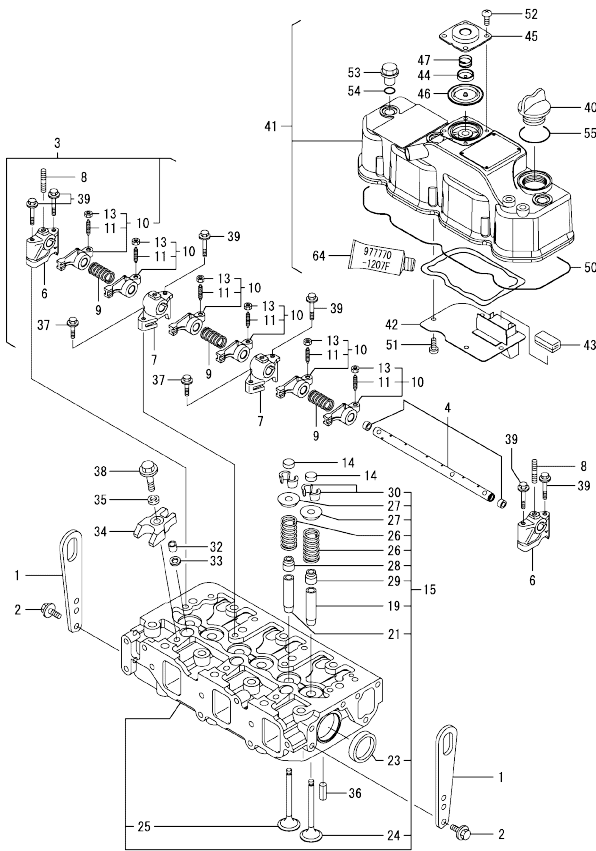
(A)=3TNV84-SIK  
(B)=  
(C)=

(D)=  
(E)=  
(F)=

No.	Lev.	Parts No.	Description	Q'ty						I	R
				(A)	(B)	(C)	(D)	(E)	(F)		
1	1	129100-01580	PIN, M8X16		2						
2	1	129612-01600	HOUSING, FLYWHEEL	1							
3	1	119620-01750	CAP	1							
4	1	26206-100252	BOLT, M10X 25 PLATED	6							
5	1	26206-100302	BOLT, M10X 30 PLATED	4							
6	1	129100-01580	PIN, M8X16	2							
7	1	129100-01640	CASE ASSY, OIL SEAL	1							
9	2	129795-01780	SEAL, OIL	1							
10	1	129486-01670	BOLT, M8X30	6							
11	1	26106-080352	BOLT, M8X 35 PLATED	3							
12	1	129100-01730	SPACER, OIL SUMP	1							
14	1	26106-080162	BOLT, M8X 16 PLATED	4							
15	1	26106-080252	BOLT, M8X 25 PLATED	2							
16	1	26106-080452	BOLT, M8X 45 PLATED	20							
16-1	1	26106-080452	BOLT, M8X 45 PLATED	16							K
(A=FROM 1ST)											
17	1	129100-01760	SUMP ASSY, OIL	1							
18	2	171301-01640	PLUG, 22	1							
18-1	2	119640-01640	PLUG, DRAIN M22	1							S
(A=E10214)											
20	2	24341-000250	O-RING, 1AS25.0	1							
20-1	2	22190-220002	WASHER, SEAL 22	1							S
(A=E10214)											
21	1	977770-1207F	GASKET LIQUID	1							1
22	1	26106-080502	BOLT, M8X 50 PLATED	4							W
(A=FROM 1ST)											

Remarks  
(1) OPTIONAL PART.

Fig.4. CYLINDER HEAD & BONNET



(A)=3TNV84-SIK  
(B)=  
(C)=

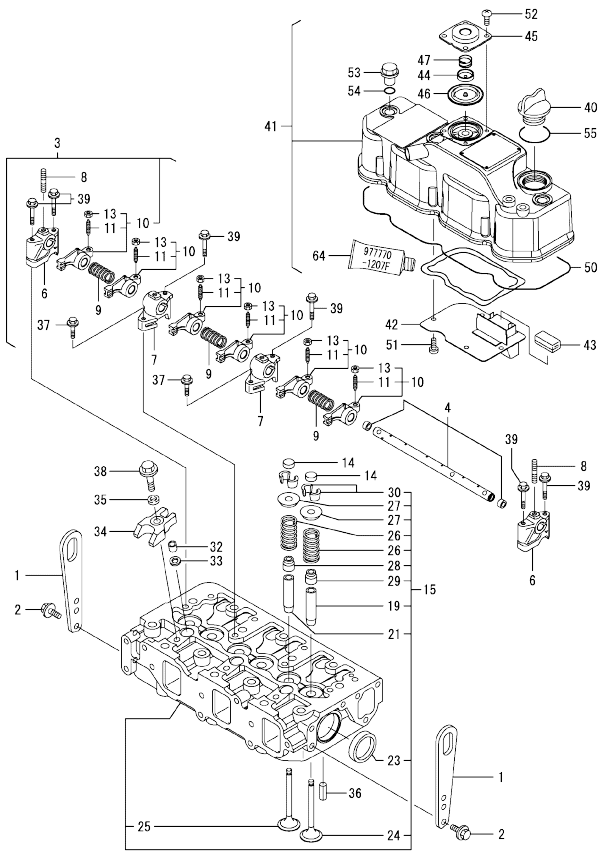
(D)=  
(E)=  
(F)=

No.	Lev.	Parts No.	Description	Q'ty						I	R
				(A)	(B)	(C)	(D)	(E)	(F)		
1	1	129900-07900	LIFTER	2							
2	1	26106-080142	BOLT, M8X 14 PLATED	4							
2-1	1	26106-080162	BOLT, M8X 16 PLATED	4							N
(A=E16536)											
3	1	129004-11241	SHAFT ASSY, ROCKER	1							
4	2	129004-11251	SHAFT, ROCKER ARM	1							
6	2	119802-11260	SUPPORT, ROCKER ARM	2							
7	2	119802-11270	SUPPORT, ROCKER ARM	2							
8	2	119802-11280	STUD	3							
9	2	129150-11280	SPRING	3							
10	2	129004-11650	ARM, ROCKER	6							
11	3	129150-11230	SCREW, VALVE ADJUST	6							
13	3	129150-11750	NUT, M8	6							
14	1	129150-11370	CAP, VALVE	6							
15	1	129004-11700	HEAD ASSY, CYLINDER	1							
19	2	120130-11860	GUIDE, VALVE	3							1
21	2	129150-11810	GUIDE, VALVE	3							1
23	2	27241-400000	PLUG, 40	2							
24	2	129004-11100	VALVE, INTAKE	3							
24-1	2	129004-11130	VALVE, INTAKE	3							R
(A=E22991)											
25	2	129100-11110	VALVE, EXHAUST	3							
25-1	2	129100-11111	VALVE, EXHAUST	3							R
(A=E12891)											
25-2	2	129100-11112	VALVE, EXHAUST	3							R
(A=E22991)											
26	2	129795-11120	SPRING, VALVE	6							
27	2	129795-11180	RETAINER, SPRING	6							
28	2	121400-11340	SEAL, VALVE STEM	3							
29	2	124460-11340	SEAL, VALVE STEM	3							
30	2	27310-080001	COTTER, 8	6							
32	1	119802-11870	PROTECTOR, NOZZLE	3							
33	1	119625-11880	SEAT, NOZZLE	3							
34	1	129004-11900	RETAINER, NOZZLE	3							
35	1	120270-54410	WASHER, INJECTOR	3							
36	1	22351-060012	PIN, SPRING 6.0X12	2							
37	1	26106-080252	BOLT, M8X 25 PLATED	2							
38	1	26106-080352	BOLT, M8X 35 PLATED	3							
39	1	26106-080502	BOLT, M8X 50 PLATED	6							
40	1	124160-01751	COVER, FILLER	1							
41	1	129004-11350	BONNET ASSY, HEAD	1							
42	2	129004-03010	PLATE	1							
43	2	129150-03070	BAFFLE, BREATHER	1							
44	2	119802-03110	PLATE	1							
45	2	119802-03120	COVER, DIAPHRAGM	1							
45-1	2	119802-03121	COVER, DIAPHRAGM	1							N
(A=E10795)											
46	2	119802-03130	DIAPHRAGM	1							
47	2	119802-03140	SPRING, DIAPHRAGM	1							
47-1	2	119802-03141	SPRING, DIAPHRAGM	1							N
(A=E10795)											

Remarks

- (1) REPAIR PART.
- (2) OPTIONAL PART.

Fig.4. CYLINDER HEAD & BONNET



(A)=3TNV84-SIK  
(B)=  
(C)=

(D)=  
(E)=  
(F)=

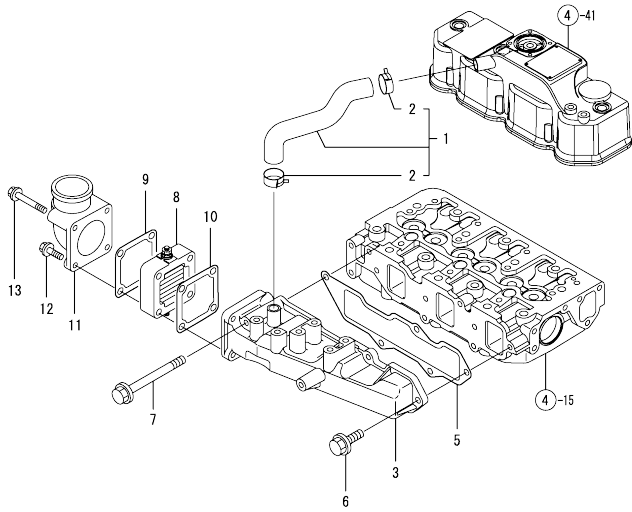
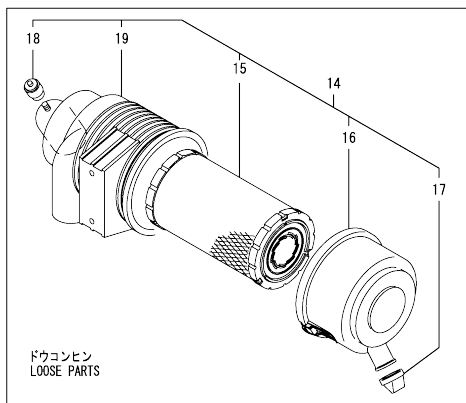
No.	Lev.	Parts No.	Description	Q'ty						I	R
				(A)	(B)	(C)	(D)	(E)	(F)		
50	2	129004-11310	GASKET, BONNET	1							
51	2	22857-500100	SCREW, 5X10	4							
52	2	22857-500100	SCREW, 5X10	4							
53	1	124160-11360	KNOB	3							
54	1	24311-000120	O-RING, 1AP12.0	3							
55	1	24311-000320	O-RING, 1AP32.0	1							
64	1	97770-1207F	GASKET,LIQUID	1							2

Remarks

- (1) REPAIR PART.
- (2) OPTIONAL PART.



Fig.5. SUCTION MANIFOLD & AIR CLEANER

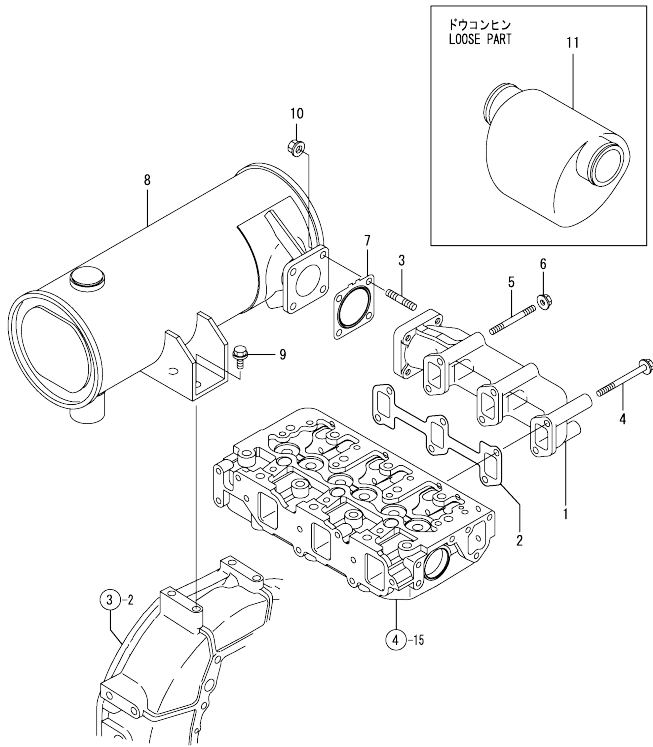


(A)=3TNV84-SIK  
(B)=  
(C)=

(D)=  
(E)=  
(F)=

No.	Lev.	Parts No.	Description	Q'ty						I	R
				(A)	(B)	(C)	(D)	(E)	(F)		
1	1	129004-03080	PIPE , BREATHER	1							
2	2	129410-03990	CLAMP 22	2							
3	1	129004-12100	MANIFOLD, AIR INTAKE	1							
5	1	129001-12110	GASKET, MANIFOLD	1							
6	1	26106-080202	BOLT, M8X 20 PLATED	4							
7	1	26106-080802	BOLT, M8X 80 PLATED	1							
8	1	129100-77500	HEATER, AIR 12V	1							
8-1	1	129100-77501	HEATER	1							N
		(A=E27335)									
9	1	129100-77510	GASKET, AIR HEATER	1							
10	1	129150-77511	GASKET	1							
11	1	171340-77520	BEND	1							
12	1	26106-080402	BOLT, M8X 40 PLATED	2							
13	1	26106-080802	BOLT, M8X 80 PLATED	2							
14	1	129240-12530	CLEANER ASSY, AIR	1							
15	2	119808-12520	ELEMENT	1							
16	2	119866-12541	COVER ASSY	1							
17	2	119808-12540	VALVE, UNLOADER	1							
18	2	126650-12680	INDICATOR	1							
19	2	129240-12610	BODY, AIR CLEANER	1							

Fig.6. EXHAUST MANIFOLD & SILENCER

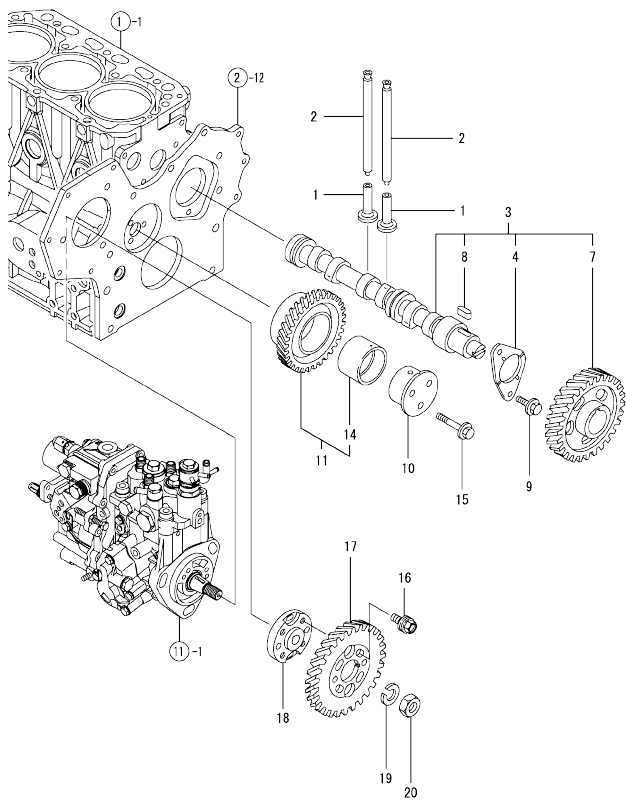


(A)=3TNV84-SIK  
(B)=  
(C)=

(D)=  
(E)=  
(F)=

No.	Lev.	Parts No.	Description	Q'ty						I	R
				(A)	(B)	(C)	(D)	(E)	(F)		
1	1	129004-13129	MANIFOLD, EXHAUST	1							
2	1	129150-13110	GASKET	1							
3	1	119131-18320	STUD, M8X22	4							
4	1	123900-13630	BOLT, M8X80	4							
5	1	123900-13610	STUD, M8X80	2							
6	1	26306-080002	NUT, M8	2							
7	1	129004-13200	GASKET, SILENCER	1							
8	1	129240-13500	SILENCER	1							
8-1	1	129240-13550	SILENCER	1							N
9	1	26106-100202	BOLT, M10X 20 PLATED	2							
10	1	26306-080002	NUT, M8	4							
11	1	121855-12060	SILENCER ASSY	1							W

Fig.7. CAMSHAFT & DRIVING GEAR



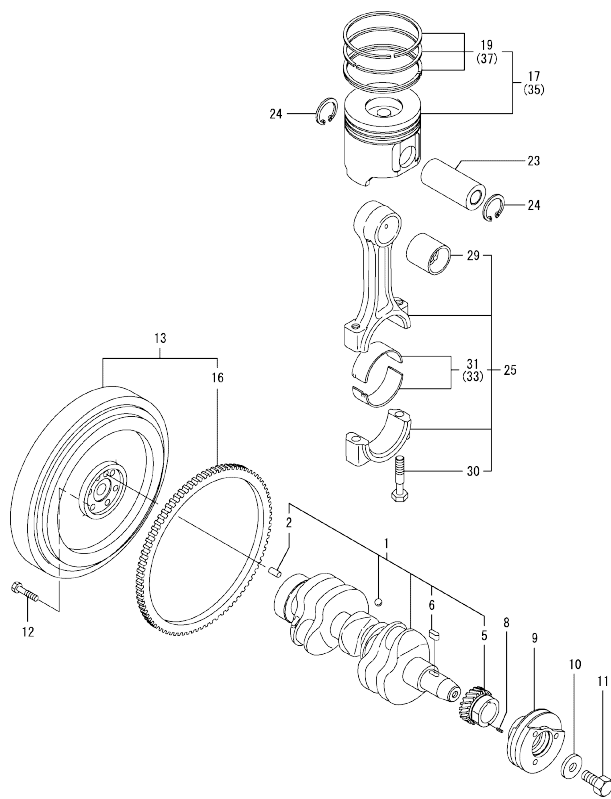
(A)=3TNV84-SIK  
(B)=  
(C)=

(D)=  
(E)=  
(F)=

No.	Lev.	Parts No.	Description	Q'ty						I	R
				(A)	(B)	(C)	(D)	(E)	(F)		
1	1	129150-14200	TAPPET	6							
2	1	129150-14400	ROD, PUSH L=178	6							
3	1	129129-14580	CAMSHAFT ASSY	1							
4	2	129150-02450	BEARING, THRUST	1							
7	2	129150-14101	GEAR, CAMSHAFT	1							
8	2	22512-070140	KEY, 7X 14	1							
9	1	26106-080142	BOLT, M8X 14 PLATED	2							
10	1	119802-25051	SHAFT, IDLE	1							
11	1	119802-25100	GEAR ASSY, IDLE	1							
11-1	1	119802-25101	GEAR ASSY, IDLE	1							N
		(A=E28112)									
14	2	119802-25070	BUSH, IDLE GEAR	1							1
14-1	2	119802-25071	BUSH, IDLE GEAR	1							N 1
		(A=E28112)									
15	1	26106-080402	BOLT, M8X 40 PLATED	3							
16	1	129150-25301	BOLT	4							
17	1	119802-25901	GEAR, PUMP	1							
18	1	158552-51151	FLANGE	1							
19	1	22217-140000	WASHER, SPRING 14	1							
20	1	26776-140002	NUT, LOCK M14	1							

Remarks  
(1) REPAIR PART.

Fig.8. CRANKSHAFT & PISTON



(A)=3TNV84-SIK  
(B)=  
(C)=

(D)=  
(E)=  
(F)=

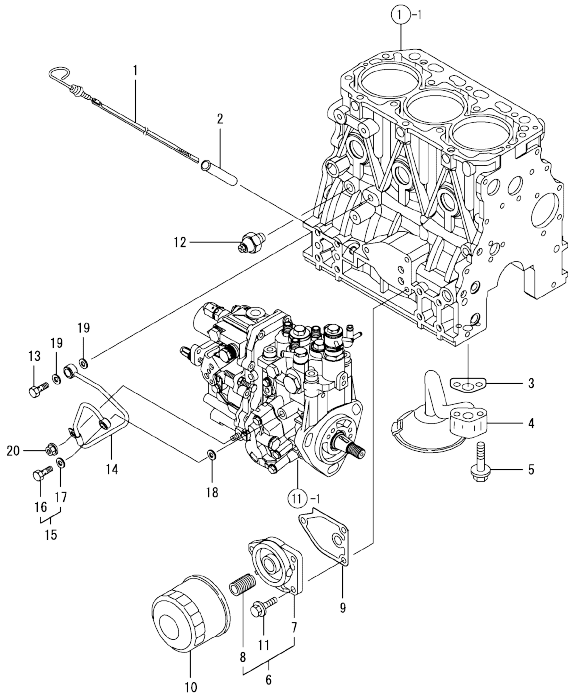
No.	Lev.	Parts No.	Description	Q'ty						I	R
				(A)	(B)	(C)	(D)	(E)	(F)		
1	1	129004-21001	CRANKSHAFT ASSY	1							
1-1	1	129004-21002	CRANKSHAFT ASSY	1							N
		(A=E10795)									
2	2	129100-01580	PIN, M8X16	1							
5	2	119802-21201	GEAR, CRANKSHAFT	1							
6	2	22512-070140	KEY, 7X 14	1							
8	1	22351-030010	PIN, SPRING 3.0X10	1							
9	1	129004-21650	V-PULLEY, 110	1							
10	1	129795-21661	WASHER	1							
11	1	121850-21680	BOLT	1							
12	1	121111-21501	BOLT, FLYWHEEL	6							
13	1	129211-21590	FLYWHEEL ASSY	1							
16	2	119865-21600	GEAR, RING	1							
17	1	129004-22080	PISTON ASSY	3							
19	2	129004-22500	RING SET, PISTON	3							
23	1	129202-22300	PIN, PISTON D26 L70	3							
24	1	22252-000260	RING, 26	6							
25	1	729402-23100	ROD ASSY, CONNECTING	3							
29	2	129100-23910	BEARING, PISTON PIN	3							1
30	2	121550-23200	BOLT, CONNECTING ROD	6							
31	2	129150-23600	BEARING, CRANK PIN	3							
31-1	2	129150-23601	BEARING, CRANK PIN	3							N
		(A=E28112)									
33	1	129150-23610	BEARING, 0.25 US	3							2
33-1	1	129150-23611	BEARING, 0.25 US	3							N 2
		(A=E28112)									
35	1	129004-22900	PISTON ASSY, 0.25 OS	3							3
37	2	129004-22950	RING SET, 0.25 OS	3							3

Remarks

- (1) REPAIR PART.
- (2) UNDER-SIZE(U.S=0.25)PART.
- (3) OVER-SIZE(O.S=0.25)PART.

OCD10-M79401 ENGINE SECTION  
 Fig.9. LUB. OIL SYSTEM

OCD10-M79401 Fig.9



(A)=3TNV84-SIK  
 (B)=  
 (C)=

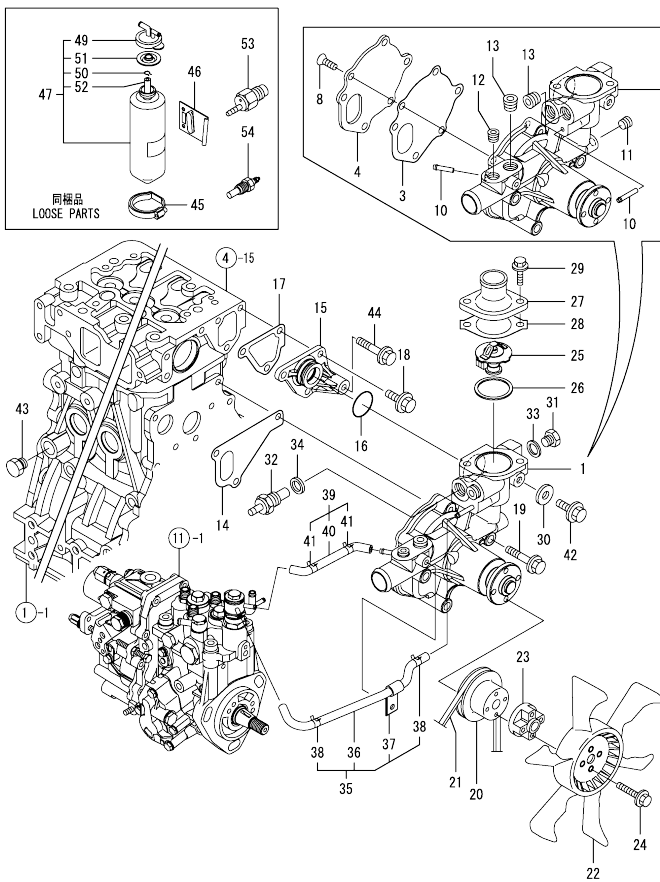
(D)=  
 (E)=  
 (F)=

No.	Lev.	Parts No.	Description	Q'ty						I	R
				(A)	(B)	(C)	(D)	(E)	(F)		
1	1	129004-34801	DIPSTICK, OIL	1							
1-1	1	129004-34802	DIPSTICK, OIL	1							N
(A=E 11205)											
2	1	121520-34810	GUIDE, DIPSTICK	1							
3	1	129150-35041	GASKET	1							
3-1	1	129150-35042	GASKET	1							N
(A=E 11806)											
4	1	129100-35301	PIPE ASSY, OIL INLET	1							
5	1	26106-080352	BOLT, M8X 35 PLATED	2							
6	1	119802-35100	BRACKET ASSY, FILTER	1							
7	2	119802-35110	BRACKET, FILTER	1							
8	2	129100-35140	STUD	1							
9	1	129150-35111	GASKET	1							
10	1	129150-35153	FILTER 80X80L	1							1
11	1	26106-080202	BOLT, M8X 20 PLATED	3							
12	1	121252-39450	SWITCH, 0.5KG	1							
13	1	124160-39140	BOLT, PIPE JOINT M10	1							
14	1	119802-39450	PIPE ASSY, OIL	1							
15	1	129005-59830	BOLT ASSY, JOINT M8	1							
16	2	23857-030000	BOLT, JOINT 3	1							
17	2	22190-080002	WASHER, SEAL 6	1							
18	1	22190-080002	WASHER, SEAL 6	1							
19	1	22190-100002	WASHER, SEAL 10	2							
20	1	26366-060002	NUT, M6	1							

Remarks  
 (1) REPAIR PART.

N:Old  $\frac{100}{100}$  New, Q:Old  $\frac{100}{100}$  New, R:Old  $\frac{100}{100}$  New, S:Old  $\frac{100}{100}$  New, W:Add, Z:Discontinued, F:Interchangeable by set, K:Q'ty Change  
 Copyright (C) YANMAR GLOBAL CS CO., LTD. All Rights Reserved.

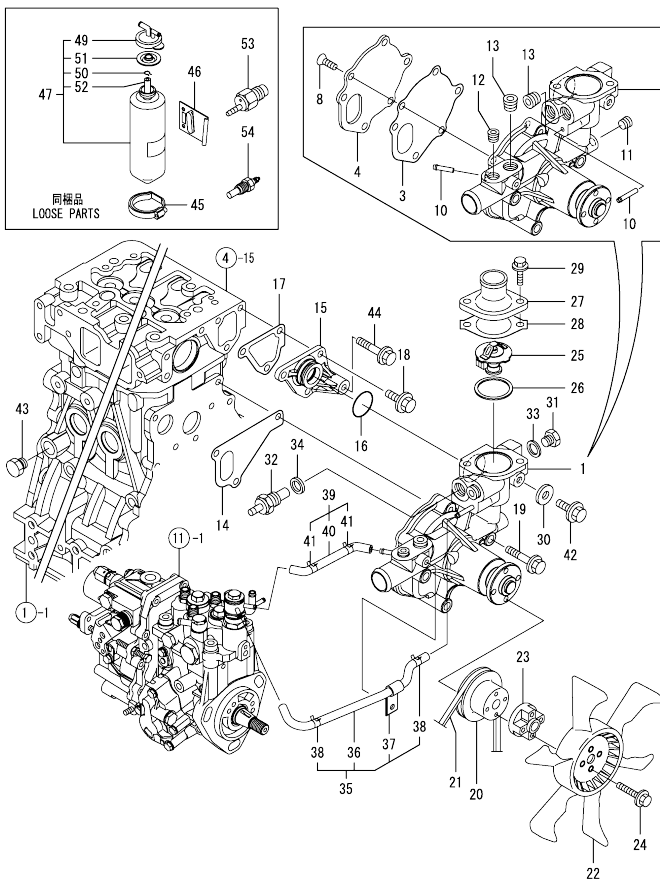
Fig.10. COOLING WATER SYSTEM



No.	Lev.	Parts No.	Description	Q'ty						I	R
				(A)	(B)	(C)	(D)	(E)	(F)		
1	1	129004-42000	PUMP ASSY, WATER	1							
1-1	1	129004-42001	PUMP ASSY, WATER	1							R
(A=E06635)											
3	2	129100-42051	GASKET, WATER PUMP	1							
4	2	129100-42121	PLATE	1							
8	2	121850-42410	SCREW	3							
10	2	119802-49112	PIPE, WATER	2							
10-1	2	119802-49113	JOINT, PIPE	2							N
(A=E06635)											
11	2	23876-010000	PLUG, R01	1							
12	2	23876-020000	PLUG, R02	1							
13	2	23876-030000	PLUG, R03	2							
13-1	2	129916-49740	PLUG, R03	2							N
(A=E08265)											
14	1	129486-42021	GASKET, WATER PUMP	1							
15	1	129004-42040	JOINT	1							
16	1	129486-42140	O-RING, G30	1							
17	1	124395-49840	GASKET	1							
18	1	26106-080162	BOLT, M8X 16 PLATED	3							
19	1	26106-080602	BOLT, M8X 60 PLATED	3							
20	1	129155-42350	V-PULLEY	1							
21	1	119831-42290	V-BELT, A37.5	1							
22	1	171340-44740	FAN, COOLING D335XNF	1							
23	1	121267-44760	SPACER	1							
24	1	26106-060302	BOLT, M6X 30 PLATED	4							
25	1	129155-49801	THERMOSTAT, 71	1							
26	1	129150-49811	GASKET, THERMOSTAT	1							
27	1	129350-49530	COVER, THERMOSTAT	1							
28	1	129795-49551	GASKET	1							
29	1	26106-080222	BOLT, M8X 22 PLATED	2							
30	1	23414-080000	GASKET, 8X1.0	1							
31	1	121450-42450	PLUG, M16	1							
32	1	171056-49351	SENSOR	1							
33	1	124465-44950	GASKET, 16	1							
34	1	129150-49360	GASKET	1							
35	1	129004-49610	PIPE ASSY, WATER	1							
36	2	129004-49711	PIPE ASSY, WATER	1							
37	2	119802-49730	RETAINER, PIPE	1							
38	2	124722-59050	CLIP, HOSE 9	2							
39	1	129004-49620	PIPE ASSY, WATER	1							
40	2	129004-49721	PIPE ASSY, WATER	1							
41	2	124722-59050	CLIP, HOSE 9	2							
42	1	26106-080122	BOLT, M8X 12 PLATED	1							
43	1	171056-49120	PLUG, DRAIN	1							
44	1	26106-080452	BOLT, M8X 45 PLATED	1							
45	1	124450-44550	BAND	1							
46	1	121256-44600	BRACKET, SUB TANK	1							
47	1	171064-44510	TANK ASSY, SUB	1							
49	2	121450-44531	CAP	1							
50	2	124450-44560	RETAINER	1							
51	2	121470-44581	GASKET	1							

N:Old  $\frac{New}{Old}$  New, Q:Old  $\frac{New}{Old}$  New, R:Old  $\frac{New}{Old}$  New, S:Old  $\frac{New}{Old}$  New, W:Add, Z:Discontinued, F:Interchangeable by set, K:Q'ty Change  
 ++ CONTINUE ++  
 Copyright (C) YANMAR GLOBAL CS CO., LTD. All Rights Reserved.

Fig.10. COOLING WATER SYSTEM

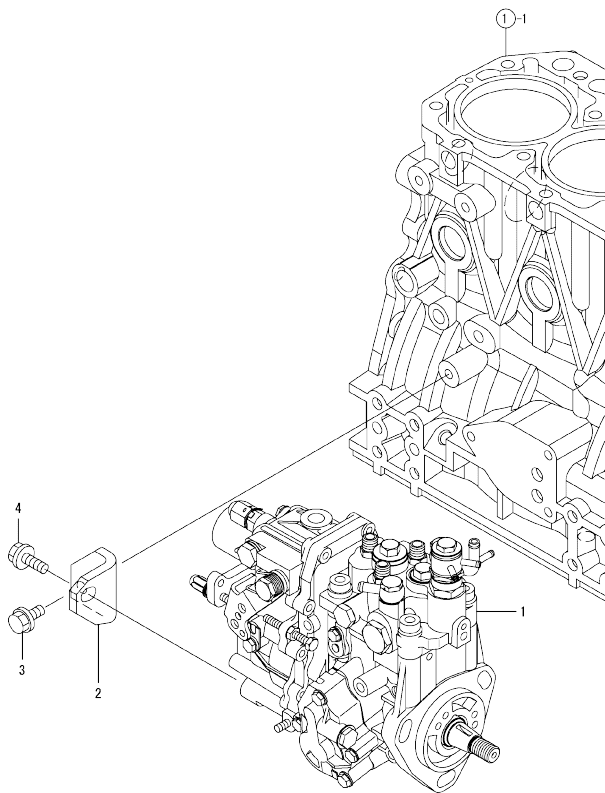


(A)=3TNV84-SIK  
(B)=  
(C)=

(D)=  
(E)=  
(F)=

No.	Lev.	Parts No.	Description	Q'ty						I	R
				(A)	(B)	(C)	(D)	(E)	(F)		
52	2	23065-070225	HOSE 7X 225	1							
53	1	121250-44901 (A=EZZZZZ)	SWITCH, 110	1							W
54	1	119266-49350 (A=EZZZZZ)	SWITCH	1							W

Fig.11. FUEL INJECTION PUMP



(A)=3TNV84-SIK  
(B)=  
(C)=

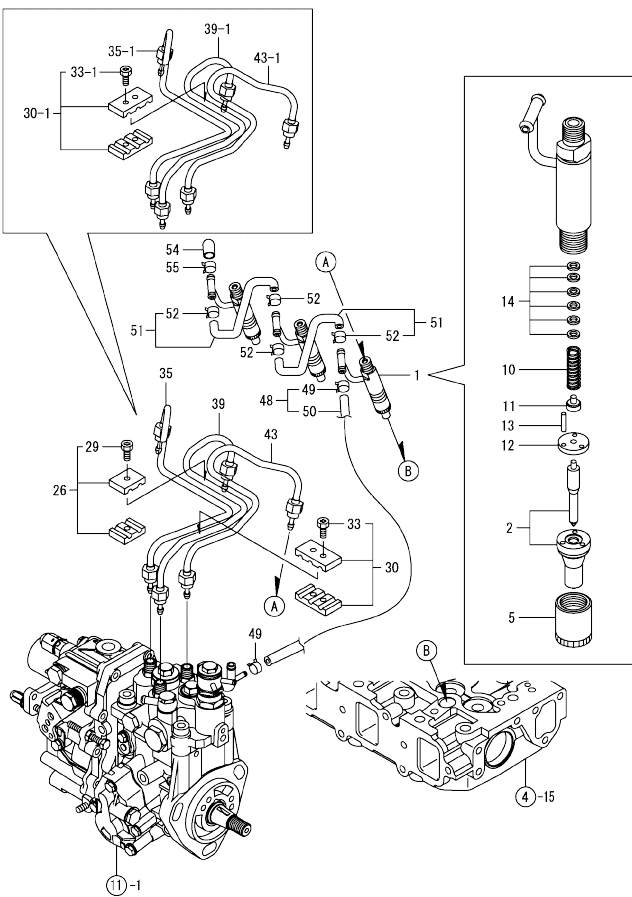
(D)=  
(E)=  
(F)=

No.	Lev.	Parts No.	Description	Q'ty						I	R
				(A)	(B)	(C)	(D)	(E)	(F)		
1	1	729240-51310	PUMP ASSY, INJECTION	1							1
2	1	119802-51250	RETAINER, PUMP	1							
3	1	26106-080162	BOLT, M8X 16 PLATED	1							
4	1	26106-080202	BOLT, M8X 20 PLATED	1							

Remarks  
(1) REFER TO FIG.17 & 18 FOR INNER PARTS.



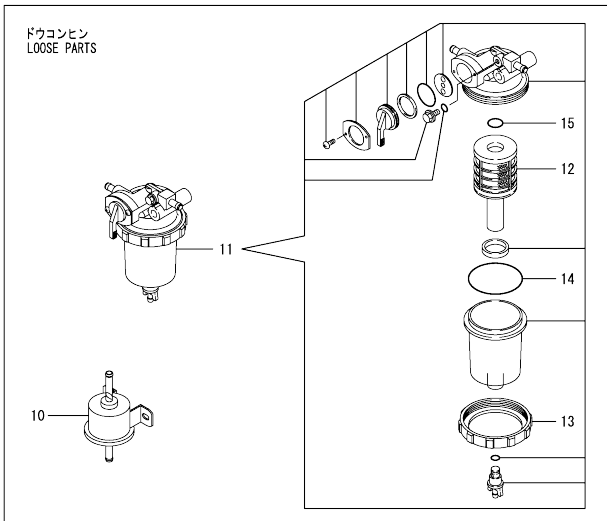
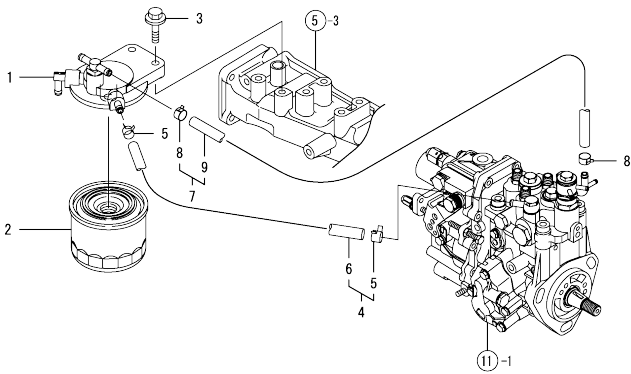
Fig.12. FUEL INJECTION VALVE



No.	Lev.	Parts No.	Description	Qty						I	R
				(A)	(B)	(C)	(D)	(E)	(F)		
1	1	729240-53200	VALVE ASSY,INJECTION	3							
2	2	129240-53001	VALVE ASSY,INJECTION	3							
5	2	114250-53080	NUT, NOZZLE D16.95	3							
10	2	114250-53120	SPRING, NOZZLE	3							
11	2	114250-53130	SEAT, SPRING	3							
12	2	114250-53140	PLATE	3							
13	2	114250-53210	PIN	6							
14	2	114250-53400	SHIM SET	3							
26	1	119305-59120	RETAINER, PIPE	1							Z
29	2	129150-59131	BOLT, M4X14	1							Z
30	1	129150-59120	RETAINER, PIPE	1							K
30-1	1	129150-59120	RETAINER, PIPE	2							K
33	2	129150-59131	BOLT, M4X14	2							K
33-1	2	129150-59131	BOLT, M4X14	4							K
34-1	1	129004-59801	PIPE ASSY, INJECTION	1							S
35	1	129004-59810	PIPE ASSY, INJECTION	1							S
35-1	1	129004-59811	PIPE ASSY, INJECTION	1							S
39	1	129004-59820	PIPE ASSY, INJECTION	1							S
39-1	1	129004-59821	PIPE ASSY, INJECTION	1							S
43	1	129004-59830	PIPE ASSY, INJECTION	1							S
43-1	1	129004-59831	PIPE ASSY, INJECTION	1							S
48	1	119802-59550	PIPE ASSY, RETURN	1							
49	2	124722-59050	CLIP, HOSE 9	2							
50	2	119802-59560	PIPE, FUEL RETURN	1							
51	1	129486-59551	PIPE ASSY, RETURN	2							
52	2	124722-59050	CLIP, HOSE 9	4							
54	1	119593-59580	CAP	1							N
54-1	1	119593-59581	CAP	1							N
55	1	124060-77680	CLIP, HOSE 10	1							

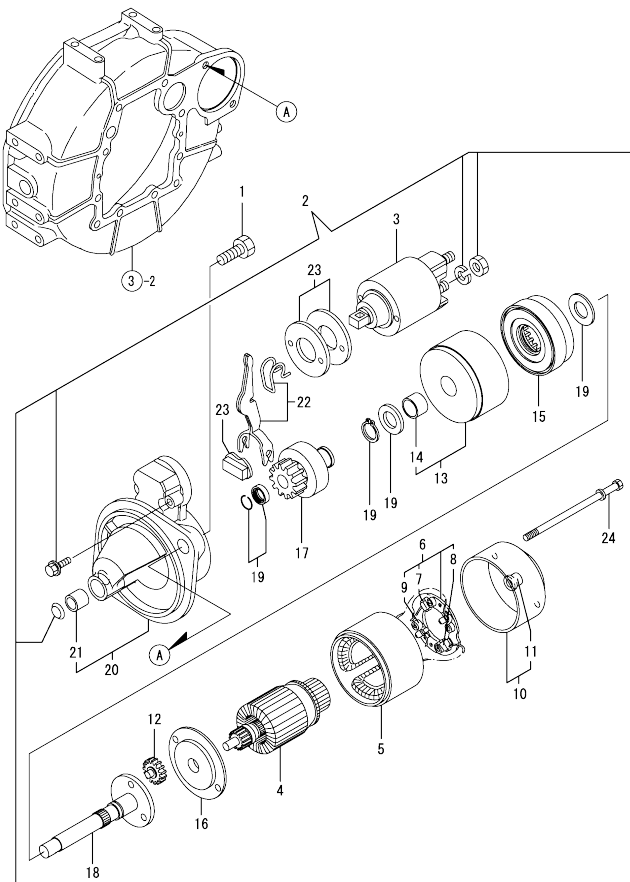
N:Old  $\frac{100}{100}$  New, Q:Old  $\frac{100}{100}$  New, R:Old  $\frac{100}{100}$  New, S:Old  $\frac{100}{100}$  New, W:Add, Z:Discontinued, F:Interchangeable by set, K:Qty Change  
 Copyright (C) YANMAR GLOBAL CS CO., LTD. All Rights Reserved.

Fig.13. FUEL LINE



No.	Lev.	Parts No.	Description	Q'ty						I	R
				(A)	(B)	(C)	(D)	(E)	(F)		
1	1	129004-55610	BRACKET, FILTER	1							
1-1	1	129004-55611 (A=E17707)	BRACKET, FILTER	1							R
1-2	1	129004-55612 (A=E26758)	BRACKET, FILTER	1							R
2	1	119802-55800	FILTER, FUEL	1							
2-1	1	119802-55801 (A=E28112)	FILTER, FUEL	1							R
3	1	26106-080302	BOLT, M8X 30 PLATED	2							
4	1	129210-59100	PIPE ASSY, FUEL	1							
5	2	124766-59050	CLIP, HOSE 12	2							
6	2	105025-59580	PIPE, FUEL	1							
7	1	129210-59230	PIPE ASSY, FUEL	1							
8	2	124766-59050	CLIP, HOSE 12	2							
9	2	129555-59511	PIPE, FUEL	1							
10	1	119225-52102	PUMP ASSY, FUEL FEED	1							
11	1	119802-55700	SEPARATOR ASSY	1							
12	2	119802-55710	ELEMENT	1							
13	2	129100-55690	RING, RETAINING	1							
14	2	24321-000650	O-RING, 1AG65.0	1							
15	2	24311-000160	O-RING, 1AP16.0	1							

Fig.14. STARTING MOTOR

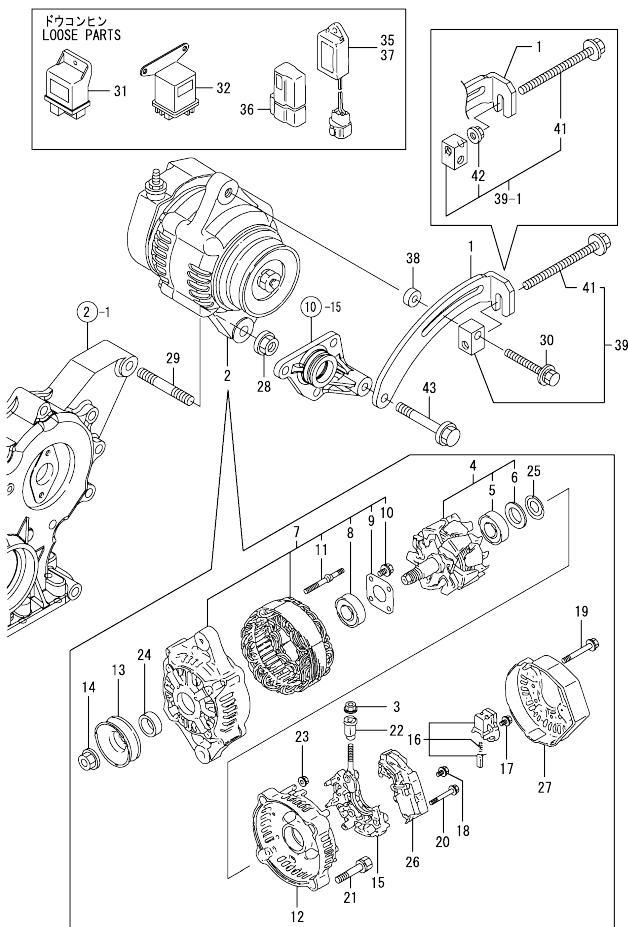


(A)=3TNV84-SIK  
(B)=  
(C)=

(D)=  
(E)=  
(F)=

No.	Lev.	Parts No.	Description	Q'ty						I	R
				(A)	(B)	(C)	(D)	(E)	(F)		
1	1	26116-120252	BOLT, M12X 25 PLATED	2							
2	1	129242-77010	STARTER	1							
3	2	129698-77020	MAGNETIC SWITCH ASSY	1							
4	2	129242-77100	ARMATURE ASSY	1							
5	2	129242-77110	YOKE ASSY	1							
6	2	129242-77120	BRUSH HOLDER ASSY	1							
7	3	129242-77130	BRUSH(-)	2							
8	3	129242-77140	BRUSH(+ SET	1							
9	3	129242-77150	BRUSH SPRING	4							
10	2	129242-77160	REAR COVER ASSY	1							
11	3	129242-77170	REAR COVER METAL	1							
12	2	118400-77170	GEAR	3							
13	2	129242-77180	CENTER BRACKET(P)	1							
14	3	129698-77190	BRACKET	1							
15	2	129698-77200	GEAR, INTERNAL	1							
16	2	129242-77210	CENTER BRACKET(A)	1							
17	2	129698-77220	PINION ASSY	1							
18	2	129698-77230	SHAFT(PINION)	1							
19	2	129698-77250	WASHER SET	1							
20	2	129242-77260	GEAR CASE ASSY	1							
21	3	X2114535200	METAL, STARTER	1							
22	2	129242-77270	SHIFT LEVER SET	1							
23	2	129242-77280	DUST COVER KIT	1							
24	2	124195-77770	THROUGH BOLT	2							

Fig.15. GENERATOR



(A)=3TNV84-SIK  
(B)=  
(C)=

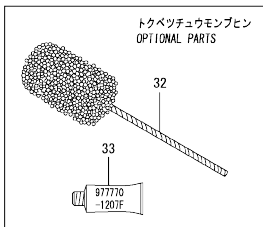
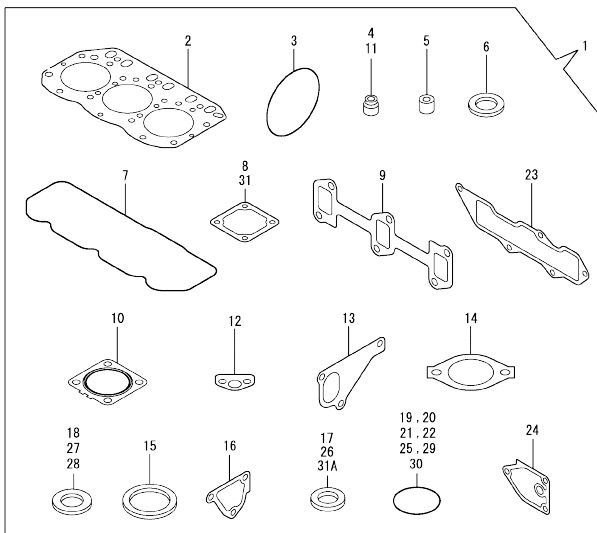
(D)=  
(E)=  
(F)=

No.	Lev.	Parts No.	Description	Q'ty						I	R
				(A)	(B)	(C)	(D)	(E)	(F)		
1	1	129240-77320	ADJUSTER	1							
2	1	129240-77200	ALTERNATOR	1							
3	2	129240-79310	NUT	1							
4	2	119620-77380	ROTOR ASSY	1							
5	3	126501-79240	BALL BEARING	1							
5-1	3	123501-79240	BEARING, BALL	1							N
(A=E12891)											
6	3	119620-79250	COVER, BEARING	1							
7	2	119620-77421	FRAME ASSY, DRIVE	1							
8	3	119620-79200	BALL BEARING	1							
9	3	119620-79210	PLATE	1							
10	3	119620-79220	SCREW	4							
11	3	119620-79230	BOLT, STUD	2							
12	2	119620-77440	FLAME ASSY, REAR	1							
13	2	119620-77461	PULLEY	1							
14	2	119620-77471	NUT	1							
15	2	119620-79260	HOLDER	1							
16	2	129052-79270	HOLDER, BRUSH	1							
17	2	119620-79290	SCREW	6							
18	2	119620-79300	SCREW	1							
19	2	119620-79310	BOLT	3							
20	2	119620-79320	SCREW W/WASHER	2							
21	2	119620-79330	BOLT	2							
22	2	119620-79340	INSULATION BUSH	1							
23	2	119620-79350	NUT	2							
24	2	119620-77490	COLLAR	1							
25	2	119620-79360	WASHER, THRUST	1							
26	2	129240-77710	REGULATOR ASSY	1							
27	2	129240-79300	COVER	1							
28	1	26306-100002	NUT, M10	1							
29	1	129795-01900	STUD	1							
30	1	26106-080502	BOLT, M8X 50 PLATED	1							
30-1	1	26106-080552	BOLT, M8X 55 PLATED	1							N
(A=E11846)											
31	1	119802-77200	RELAY, SAFETY	1							
32	1	119650-77910	RELAY ASSY, GLOW	1							
35	1	129211-77920	TIMER	1							
36	1	119643-66900	DIODE	1							
37	1	128300-77920	TIMER	1							
38	1	119940-77270	SPACER, GENERATOR	1							
39	1	129616-77350	BLOCK ASSY, ADJUSTER	1							
39-1	1	119624-77351	BLOCK ASSY, ADJUSTER	1							N
(A=E11846)											
41	2	26106-081004	BOLT, M8X100 PLATED	1							
42	2	26306-080002	NUT, M8	1							W
(A=E11846)											
43	1	26106-080452	BOLT, M8X 45 PLATED	1							

Fig.16. GASKET SET

(A)=3TNV84-SIK  
(B)=  
(C)=

(D)=  
(E)=  
(F)=

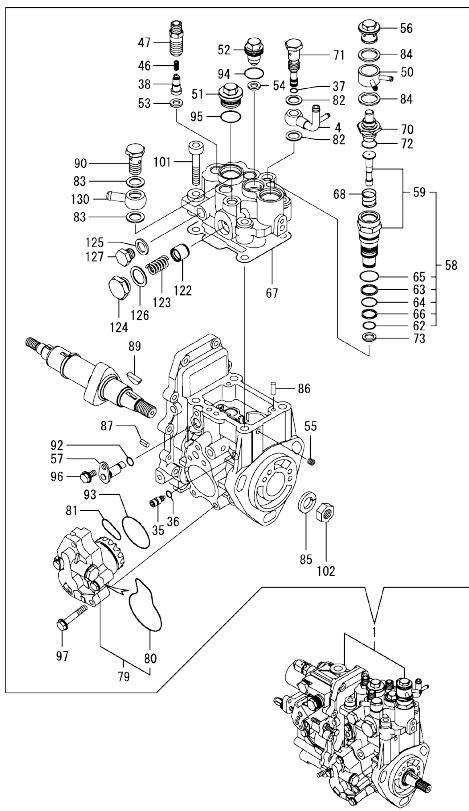


No.	Lev.	Parts No.	Description	Q'ty						I	R
				(A)	(B)	(C)	(D)	(E)	(F)		
1	1	729246-92630	GASKET SET	1							1
1-1	1	729246-92631	GASKET SET	1							N 1
(A=EXXXXX)											
2	2	129002-01331	GASKET, HEAD	1							
3	2	121850-51960	O-RING	1							
4	2	124460-11340	SEAL, VALVE STEM	3							
5	2	119802-11870	PROTECTOR, NOZZLE	3							
6	2	119625-11880	SEAT, NOZZLE	3							
7	2	129004-11310	GASKET, BONNET	1							
8	2	129150-77511	GASKET	1							
9	2	129150-13110	GASKET	1							
10	2	129004-13200	GASKET, SILENCER	1							
11	2	121400-11340	SEAL, VALVE STEM	3							
12	2	129150-35041	GASKET	1							
12-1	2	129150-35042	GASKET	1							N
(A=E11806)											
13	2	129486-42021	GASKET, WATER PUMP	1							
14	2	129795-49551	GASKET	1							
15	2	129150-49811	GASKET, THERMOSTAT	1							
16	2	124395-49840	GASKET	1							
17	2	22190-080002	WASHER, SEAL 6	2							
18	2	124465-44950	GASKET, 16	2							
19	2	24311-000120	O-RING, 1AP12.0	3							
20	2	24311-000320	O-RING, 1AP32.0	2							
21	2	24341-000240	O-RING, 1AS24.0	1							
22	2	129486-42140	O-RING, G30	1							
23	2	129001-12110	GASKET, MANIFOLD	1							
24	2	129150-35111	GASKET	1							
25	2	119609-32040	O-RING, P16	4							
26	2	22190-100002	WASHER, SEAL 10	2							
27	2	23414-080000	GASKET, 8X1.0	1							
28	2	129150-49360	GASKET	1							
29	2	24311-000150	O-RING, 1AP15.0	1							
30	2	24341-000250	O-RING, 1AS25.0	1							
31	2	129100-77510	GASKET, AIR HEATER	1							
31A	2	22190-220002	WASHER, SEAL 22	1							W
(A=E10214)											
32	1	129400-92420	FLEX HORN	1							1
33	1	977770-1207F	GASKET, LIQUID	1							1

Remarks  
(1) OPTIONAL PARTS.

N:Old  $\frac{100}{100}$  New, Q:Old  $\frac{100}{100}$  New, R:Old  $\frac{100}{100}$  New, S:Old  $\frac{100}{100}$  New, W:Add, Z:Discontinued, F:Interchangeable by set, K:Q'ty Change  
Copyright (C) YANMAR GLOBAL CS CO., LTD. All Rights Reserved.

Fig.17. FUEL INJECTION PUMP(INNER PART



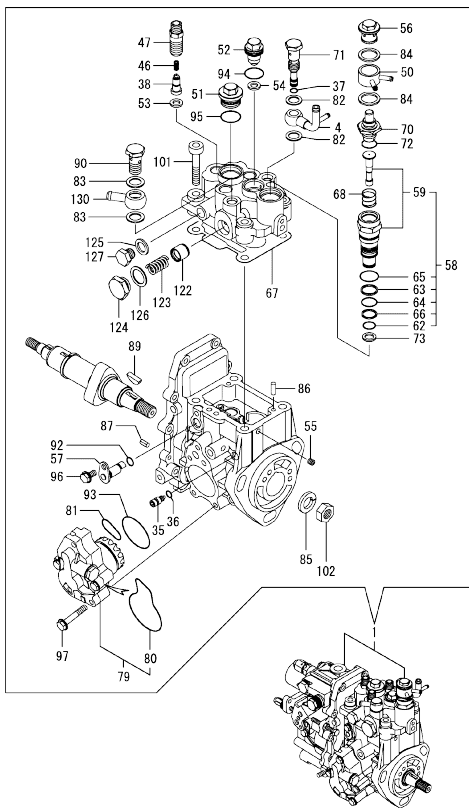
(A)=3TNV84-SIK  
(B)=  
(C)=

(D)=  
(E)=  
(F)=

No.	Lev.	Parts No.	Description	Q'ty						I	R
				(A)	(B)	(C)	(D)	(E)	(F)		
1	1	729240-51310	PUMP ASSY, INJECTION	1							1
4	2	158552-51670	JOINT, OVER FLOW	1							
35	2	158600-51270	STOPPER, TAPPET	1							
36	2	158563-51281	O-RING, 4D S6	1							
37	2	158563-51281	O-RING, 4D S6	1							
38	2	158560-51300	VALVE ASSY, DELIVERY	3							
46	2	158563-51330	SPRING, DELIVERY	3							
47	2	158601-51340	HOLDER, DELIVERY	3							
50	2	158553-51551	JOINT	1							
51	2	158601-51550	PLUG	1							
52	2	119802-51560	PLUG, BARREL	1							
53	2	158552-51570	GASKET	3							
54	2	158552-51570	GASKET	1							
55	2	158557-51570	PLUG	1							
56	2	158601-51570	PLUG	1							
57	2	158552-51580	LIFTER	1							
58	2	119802-51590	TIMER SET	1							
59	3	119802-51600	TIMER ASSY	1							
62	3	158553-51670	O-RING, 1011	1							
63	3	119802-51680	RING, BACK UP	1							
64	3	119802-51690	O-RING	1							
65	3	24356-010200	O-RING, 4D1020	1							
66	3	24372-000150	RING, BACK UP T2P15	1							
67	2	158552-51600	GASKET	1							
68	2	158553-51630	SPRING, TIMER	1							
70	2	158553-51640	ELEMENT	1							
71	2	158601-51650	JOINT, OVER FLOW	1							
72	2	158553-51660	O-RING, P14	1							
73	2	158553-51680	GASKET	1							
79	2	158552-52100	PUMP ASSY, FUEL FEED	1							
80	3	158552-52500	O-RING	1							
81	2	158552-52310	O-RING	1							
82	2	22190-120002	WASHER, SEAL 12	2							
83	2	22190-120002	WASHER, SEAL 12	2							
84	2	22190-180002	WASHER, SEAL 18	2							
85	2	22217-140000	WASHER, SPRING 14	1							
86	2	22312-050140	PIN, PARALLEL M5X14	2							
87	2	22351-050010	PIN, SPRING 5.0X10	2							
89	2	119802-51090	KEY, 4X16	1							
90	2	23857-060000	BOLT, JOINT 6	1							
92	2	24311-000070	O-RING, 1AP7.0	1							
93	2	158552-52400	O-RING, 4E S42	1							
94	2	24356-010180	O-RING, 4D1018	1							
95	2	24356-010200	O-RING, 4D1020	1							
96	2	26106-060102	BOLT, M6X 10 PLATED	1							
97	2	158553-51770	BOLT	4							
101	2	26450-080452	BOLT, M8X 45	4							
102	2	26776-140002	NUT, LOCK M14	1							
122	2	158601-51770	PISTON	1							
123	2	158552-51780	SPRING	1							
123-1	2	158552-51781	SPRING	1							N

Remarks  
(1) GOVERNOR ASSY(FIG.18) IS INCORPORATED IN THIS FOP.CMP (REF.NO.1).

Fig.17. FUEL INJECTION PUMP(INNER PART



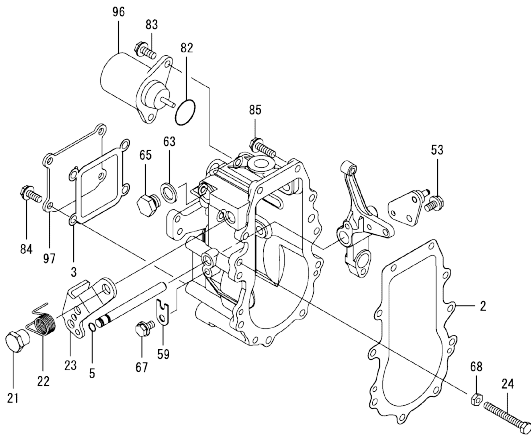
(A)=3TNV84-SIK  
(B)=  
(C)=

(D)=  
(E)=  
(F)=

No.	Lev.	Parts No.	Description	Q'ty						I	R
				(A)	(B)	(C)	(D)	(E)	(F)		
(A=EXXXXX)											
124	2	158601-51790	PLUG		1						
125	2	22190-120002	WASHER, SEAL 12		1						
126	2	22190-180002	WASHER, SEAL 18		1						
127	2	23887-120002	PLUG, 12		1						
130	2	129916-59020	JOINT, PIPE 12		1						

Remarks  
(1) GOVERNOR ASSY(FIG.18) IS  
INCORPORATED IN THIS FOP.CMP  
(REF.NO.1).

Fig.18. GOVERNOR(INNER PARTS)



(A)=3TNV84-SIK  
(B)=  
(C)=

(D)=  
(E)=  
(F)=

No.	Lev.	Parts No.	Description	Q'ty						I	R
				(A)	(B)	(C)	(D)	(E)	(F)		
2	2	158553-61050	GASKET	1							
3	2	158553-61070	GASKET	1							
5	2	129155-51280	O-RING, S6	1							
21	2	129255-61410	NUT, LOCK	1							
22	2	119807-61420	SPRING, RETURN	1							
23	2	158552-61441	LEVER, REGULATOR	1							
24	2	129155-61460	BOLT, IDLE	1							
53	2	26106-060102	BOLT, M6X 10 PLATED	1							
59	2	119660-61901	RETAINER, SHAFT	1							
63	2	22190-120000	WASHER, SEAL 12	1							
65	2	23887-120002	PLUG, 12	1							
67	2	26106-060102	BOLT, M6X 10 PLATED	1							
68	2	26756-060002	NUT, LOCK M6	1							
82	2	158552-61900	O-RING	1							
83	2	26106-060142	BOLT, M6X 14 PLATED	2							
84	2	26106-060142	BOLT, M6X 14 PLATED	4							
85	2	26106-060202	BOLT, M6X 20 PLATED	10							
96	2	119233-77932	SOLENOID, STOP	1							
97	2	129642-61060	COVER, GOVERNOR CASE	1							

Remarks  
\* THIS FIGURE(GOVERNOR ASSY)IS  
INCORPORATED IN THE FUEL INJECTION  
PUMP ASSY(FIG.17).



## Parts No. Index

Parts No.	Fig. No.	Ref. No.
105025-59580	13	6
114250-53080	12	5
114250-53120	12	10
114250-53130	12	11
114250-53140	12	12
114250-53210	12	13
114250-53400	12	14
118400-77170	14	12
119131-18320	6	3
119225-52102	13	10
119233-77932	18	96
119266-49350	10	54
119305-59120	12	26
119593-59580	12	54
119593-59581	12	54 -1
119609-32040	2	17
	16	25
119620-01750	3	3
119620-77380	15	4
119620-77421	15	7
119620-77440	15	12
119620-77461	15	13
119620-77471	15	14
119620-77490	15	24
119620-79200	15	8
119620-79210	15	9
119620-79220	15	10
119620-79230	15	11
119620-79250	15	6
119620-79260	15	15
119620-79290	15	17
119620-79300	15	18
119620-79310	15	19
119620-79320	15	20
119620-79330	15	21
119620-79340	15	22
119620-79350	15	23
119620-79360	15	25
119624-77351	15	39 -1
119625-11880	4	33
	16	6
119640-01640	3	18 -1
119643-66900	15	36
119650-77910	15	32
119660-61901	18	59
119802-01520	2	12
119802-01560	2	13
119802-01561	2	13 -1
119802-03110	4	44
119802-03120	4	45

Parts No.	Fig. No.	Ref. No.
119802-03121	4	45 -1
119802-03130	4	46
119802-03140	4	47
119802-03141	4	47 -1
119802-11260	4	6
119802-11270	4	7
119802-11280	4	8
119802-11870	4	32
	16	5
119802-21201	8	5
119802-25051	7	10
119802-25070	7	14
119802-25071	7	14 -1
119802-25100	7	11
119802-25101	7	11 -1
119802-25901	7	17
119802-32070	2	8
119802-32100	2	7
119802-32111	2	18
119802-32120	2	19
119802-32130	2	20
119802-35100	9	6
119802-35110	9	7
119802-39450	9	14
119802-49112	10	10
119802-49113	10	10 -1
119802-49730	10	37
119802-51090	17	89
119802-51250	11	2
119802-51560	17	52
119802-51590	17	58
119802-51600	17	59
119802-51680	17	63
119802-51690	17	64
119802-55700	13	11
119802-55710	13	12
119802-55800	13	2
119802-55801	13	2 -1
119802-59550	12	48
119802-59560	12	50
119802-77200	15	31
119807-61420	18	22
119808-12520	5	15
119808-12540	5	17
119831-42290	10	21
119865-21600	8	16
119866-12541	5	16
119940-77270	15	38
120130-11860	4	19
120270-54410	4	35

Parts No.	Fig. No.	Ref. No.
121023-01550	2	28
121023-01551	2	28 -1
121111-21501	8	12
121250-44901	10	53
121252-39450	9	12
121256-44600	10	46
121267-44760	10	23
121400-11340	4	28
	16	11
121450-42450	10	31
121450-44531	10	49
121470-44581	10	51
121520-34810	9	2
121550-23200	8	30
121850-21680	8	11
121850-42410	10	8
121850-51960	2	21
	16	3
121855-12060	6	11
123501-79240	15	5 -1
123900-13610	6	5
123900-13630	6	4
124060-01050	1	5
124060-77680	12	55
124160-01751	2	14
	4	40
124160-01910	1	7
	8	8
124160-11360	4	53
124160-39140	9	13
124195-77770	14	24
124240-01871	2	15
124395-49840	10	17
	16	16
124450-44550	10	45
124450-44560	10	50
124460-11340	4	29
	16	4
124465-44950	10	33
	16	18
124722-59050	10	38
	41	41
	49	49
	52	52
124766-59050	13	5
	8	8
126501-79240	15	5
126650-12680	5	18
128300-77920	15	37
129001-01250	1	6

Parts No.	Fig. No.	Ref. No.
129001-02930	1	25
129001-02931	1	25 -1
129001-12110	5	5
	16	23
129001-32330	2	11
129001-91841	2	22
129002-01331	1	33
	16	2
129004-01190	1	31
129004-03010	4	42
129004-03080	5	1
129004-11100	4	24
129004-11130	4	24 -1
129004-11241	4	3
129004-11251	4	4
129004-11310	4	50
	16	7
129004-11350	4	41
129004-11650	4	10
129004-11700	4	15
129004-11900	4	34
129004-12100	5	3
129004-13129	6	1
129004-13200	6	7
	16	10
129004-21001	8	1
129004-21002	8	1 -1
129004-21650	8	9
129004-22080	8	17
129004-22500	8	19
129004-22900	8	35
129004-22950	8	37
129004-34801	9	1
129004-34802	9	1 -1
129004-42000	10	1
129004-42001	10	1 -1
129004-42040	10	15
129004-49610	10	35
129004-49620	10	39
129004-49711	10	36
129004-49721	10	40
129004-55610	13	1
129004-55611	13	1 -1
129004-55612	13	1 -2
129004-59801	12	34 -1
129004-59810	12	35
129004-59811	12	35 -1
129004-59820	12	39
129004-59821	12	39 -1
129004-59830	12	43

## Parts No. Index

Parts No.	Fig. No.	Ref. No.	Parts No.	Fig. No.	Ref. No.	Parts No.	Fig. No.	Ref. No.	Parts No.	Fig. No.	Ref. No.
129004-59831	12	43 -1	129150-35042	9	3 -1	129350-49530	10	27	158553-51630	17	68
129005-59830	9	15		16	12 -1	129400-92420	16	32	158553-51640	17	70
129052-79270	15	16	129150-35111	9	9	129410-03990	5	2	158553-51660	17	72
129100-01580	3	1		16	24	129418-32320	2	10	158553-51670	17	62
	8	2	129150-35153	9	10	129486-01670	3	10	158553-51680	17	73
129100-01640	3	7	129150-49360	10	34	129486-42021	10	14	158553-51770	17	97
129100-01730	3	12		16	28		16	13	158553-61050	18	2
129100-01760	3	17	129150-49811	10	26	129486-42140	10	16	158553-61070	18	3
129100-11110	4	25		16	15		16	22	158557-51570	17	55
129100-11111	4	25 -1	129150-59120	12	30	129486-59551	12	51	158560-51300	17	38
129100-11112	4	25 -2		12	30 -1	129555-59511	13	9	158563-51281	17	36
129100-23910	8	29	129150-59131	12	29	129612-01600	3	2			
129100-35140	9	8		33	39	129616-77350	15	39	158563-51330	17	46
129100-35301	9	4		33	-1	129642-61060	18	97	158600-51270	17	35
129100-42051	10	3	129150-77511	5	10	129698-77020	14	3	158601-51340	17	47
129100-42121	10	4		16	8	129698-77190	14	14	158601-51550	17	51
129100-55690	13	13	129155-42350	10	20	129698-77200	14	15	158601-51570	17	56
129100-77500	5	8	129155-49801	10	25	129698-77220	14	17	158601-51650	17	71
129100-77501	5	8 -1	129155-51280	18	5	129698-77230	14	18	158601-51770	17	122
129100-77510	5	9	129155-61460	18	24	129698-77250	14	19	158601-51790	17	124
	16	31	129202-22300	8	23	129795-01780	3	9	171051-01921	1	9
129129-14580	7	3	129210-59100	13	4	129795-01800	2	6	171056-49120	10	43
129150-01200	1	32	129210-59230	13	7	129795-01900	15	29	171056-49351	10	32
129150-02020	1	10	129211-21590	8	13	129795-01950	2	16	171064-44510	10	47
129150-02450	7	4	129211-77920	15	35	129795-02411	1	13	171301-01640	3	18
129150-02870	1	34	129240-12530	5	14	129795-02412	1	13 -1	171340-44740	10	22
129150-02871	1	34 -1	129240-12610	5	19	129795-11120	4	26	171340-77520	5	11
129150-02930	1	28	129240-13500	6	8	129795-11180	4	27	22190-080002	9	17
129150-02931	1	28 -1	129240-13550	6	8 -1	129795-21661	8	10			18
129150-02940	1	37	129240-53001	12	2	129795-49551	10	28			16
129150-02941	1	37 -1	129240-77200	15	2		16	14	22190-100002	9	19
129150-03070	4	43	129240-77320	15	1	129900-07900	4	1			16
129150-11230	4	11	129240-77710	15	26	129900-32130	2	9	22190-120000	18	63
129150-11280	4	9	129240-79300	15	27	129916-49740	10	13 -1	22190-120002	17	82
129150-11370	4	14	129240-79310	15	3	129916-59020	17	130			83
129150-11750	4	13	129242-77010	14	2	158552-51151	7	18			125
129150-11810	4	21	129242-77100	14	4	158552-51570	17	53	22190-180002	17	84
129150-13110	6	2	129242-77110	14	5			54			126
	16	9	129242-77120	14	6	158552-51580	17	57	22190-220002	3	20 -1
129150-14101	7	7	129242-77130	14	7	158552-51600	17	67		16	31 A
129150-14200	7	1	129242-77140	14	8	158552-51670	17	4	22217-140000	7	19
129150-14400	7	2	129242-77150	14	9	158552-51780	17	123			17
129150-23600	8	31	129242-77160	14	10	158552-51781	17	123 -1	22252-000260	8	24
129150-23601	8	31 -1	129242-77170	14	11	158552-52100	17	79	22312-050140	17	86
129150-23610	8	33	129242-77180	14	13	158552-52310	17	81	22351-030010	8	8
129150-23611	8	33 -1	129242-77210	14	16	158552-52400	17	93	22351-050010	17	87
129150-25301	7	16	129242-77260	14	20	158552-52500	17	80	22351-060012	4	36
129150-35041	9	3	129242-77270	14	22	158552-61441	18	23	22512-070140	7	8
	16	12	129242-77280	14	23	158552-61900	18	82			8
			129255-61410	18	21	158553-51551	17	50	22857-500100	4	51

## Parts No. Index

Parts No.	Fig. No.	Ref. No.
22857-500100	4	52
23065-070225	10	52
23414-080000	10	30
	16	27
23857-030000	9	16
23857-060000	17	90
23876-010000	10	11
23876-020000	10	12
23876-030000	2	4
	10	13
23876-040000	2	5
23887-120002	17	127
	18	65
24311-000070	17	92
24311-000120	4	54
	16	19
24311-000150	16	29
24311-000160	13	15
24311-000320	2	23
	4	55
	16	20
24321-000650	13	14
24341-000240	2	29
	16	21
24341-000250	3	20
	16	30
24356-010180	17	94
24356-010200	17	65
		95
24372-000150	17	66
26106-060102	17	96
	18	53
		67
26106-060142	18	83
		84
26106-060162	2	30
26106-060202	18	85
26106-060302	10	24
26106-080122	10	42
26106-080142	4	2
	7	9
26106-080162	2	24
		25
	3	14
	4	2 -1
	10	18
	11	3
26106-080202	5	6
	9	11
	11	4

Parts No.	Fig. No.	Ref. No.
26106-080222	10	29
26106-080252	3	15
	4	37
26106-080302	13	3
26106-080352	3	11
	4	38
	9	5
26106-080402	5	12
	7	15
26106-080452	3	16
		16 -1
	10	44
	15	43
26106-080502	3	22
	4	39
	15	30
26106-080552	2	26
	15	30 -1
26106-080602	10	19
26106-080802	5	7
		13
26106-081004	15	41
26106-100202	6	9
26116-120252	14	1
26206-100252	3	4
26206-100302	3	5
26306-080002	2	27
	6	6
		10
	15	42
26306-100002	15	28
26366-060002	9	20
26450-080452	17	101
26756-060002	18	68
26776-140002	7	20
	17	102
27241-120000	1	14
27241-300000	1	15
27241-400000	4	23
27310-080001	4	30
719802-01500	2	1
729004-01560	1	1
729240-51310	11	1
	17	1
729240-53200	12	1
729246-92630	16	1
729246-92631	16	1 -1
729402-23100	8	25
977770-1207F	2	31
	3	21

Parts No.	Fig. No.	Ref. No.
977770-1207F	4	64
	16	33
X2114535200	14	21

Parts No.	Fig. No.	Ref. No.
-----------	----------	----------