

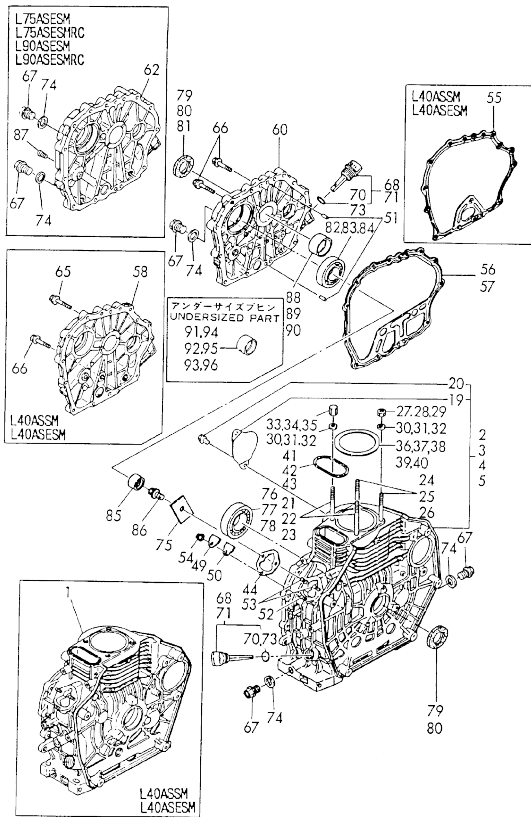
OCD10-M41000EN

Contents

Fig. No.	Fig. Name	Fig. No.	Fig. Name
ENGINE L50A-L90ASES			
1.	CYLINDER BLOCK		
2.	CYLINDER HEAD & BONNET		
3.	AIR CLEANER		
4.	MUFFLER		
5.	CAMSHAFT & CRANKSHAFT		
6.	PISTON & CONNECTING ROD		
7.	LUB. OIL PUMP & GOVERNOR		
8.	COOLING & STARTING DEVICE		
13.	(8A)COOLING & STARTING DEVICE		
9.	FUEL INJECTION DEVICE		
10.	FUEL TANK & FUEL LINE		
11.	STARTING MOTOR & DYNAMO		
12.	LABEL & TOOL		

OCD10-M41000

Fig.1. CYLINDER BLOCK



No.	Lev.	Parts No.	Description	Q'ty						I	R
				(A)	(B)	(C)	(D)	(E)	(F)		
1	1	714271-01560	BLOCK ASSY, CYLINDER	1							
2	1	714471-01560	BLOCK ASSY, CYLINDER		1						
3	1	714371-01560	BLOCK ASSY, CYLINDER			1					
4	1	714571-01560	BLOCK ASSY, CYLINDER				1				
5	1	714671-01560	BLOCK ASSY, CYLINDER					1			
19	2	114350-01700	COVER	1	1	1	1	1	1		
20	2	26106-100122	BOLT, M10X 12 PLATED	2	2	2	2	2			
21	1	114250-01200	BOLT, HEAD	2							
22	1	114350-01200	BOLT, HEAD		2	2					
23	1	114650-01230	BOLT, HEAD				2	2			
24	1	114250-01210	BOLT, HEAD	2							
25	1	114350-01210	BOLT, HEAD		2	2					
26	1	114650-01240	BOLT, HEAD				2	2			
27	1	105025-01220	NUT, CYLINDER HEAD				2	2			
28	1	114250-01220	NUT, CYLINDER HEAD	2							
29	1	114350-01220	NUT, CYLINDER HEAD	2	2						
30	1	105225-01240	WASHER		4	4					
31	1	124950-01250	WASHER	4							
32	1	114650-01260	WASHER				4	4			
33	1	114250-01250	NUT, CAP	2							
34	1	114350-01250	NUT, CYLINDER HEAD		2	2					
35	1	114650-01250	NUT, CYLINDER HEAD				2	2			
36	1	114250-01340	GASKET, HEAD	1							
37	1	114350-01340	GASKET, HEAD			1					
38	1	114650-01340	GASKET, HEAD					1			
39	1	114450-01340	GASKET, HEAD		1						
40	1	114550-01340	GASKET, HEAD				1				
41	1	114250-01380	O-RING	1					1	1	
42	1	114350-01380	O-RING		1	1					
43	1	114650-01380	O-RING						1	1	
44	1	114250-01800	SHIM SET	1	1	1	1	1	1	1	
49	1	114250-01830	COVER	1	1	1	1	1	1	1	
50	1	114250-01840	GASKET	1	1	1	1	1	1	1	
51	1	22312-080120	PIN, PARALLEL M8X12	2	2	2	2	2	2	2	
52	1	26226-060182	STUD, M6X 18	1	1	1	1	1	1	1	
53	1	26226-060222	STUD, M6X 22	2	2	2	2	2	2	2	
54	1	26366-060002	NUT, M6	3	3	3	3	3	3	3	
55	1	114250-01412	GASKET, CRANK CASE	1							
56	1	114350-01412	GASKET, CRANK CASE		1	1					
57	1	114650-01411	GASKET, CRANK CASE				1	1			
58	1	114250-01452	COVER, CRANK CASE	1							
60	1	114350-01452	COVER, CRANK CASE		1	1					
62	1	114650-01452	COVER, CRANK CASE				1	1			
65	1	26106-060252	BOLT, M6X 25 PLATED	14							
66	1	26106-080352	BOLT, M8X 35 PLATED	1	15	15	16	16			
67	1	105425-01690	PLUG, 16	3	3	3	4	4			
68	1	160910-01740	CAP ASSY	2	2	2	2	2			
70	2	24311-000180	O-RING, 1AP18.0		2	2	2	2			
71	1	160710-01760	CAP ASSY, L82	2							
73	2	24311-000180	O-RING, 1AP18.0	2							
74	1	43400-500490	SEAL WASHER 16S	3	3	3	4	4			

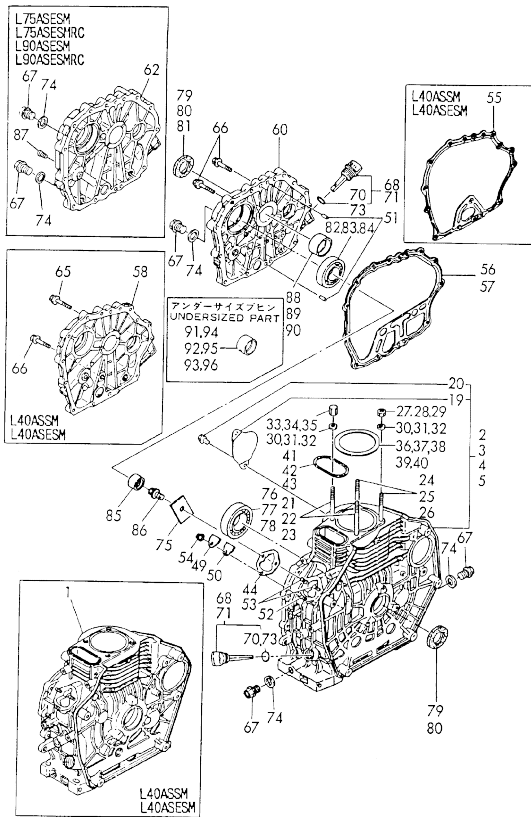
Remarks

- (1) ONLY FOR REPAIR.
- (2) UNDERSIZED(U.S=0.25) PART.
- (3) UNDERSIZED(U.S=0.50) PART.

N:Old $\frac{New}{Old}$ New, Q:Old $\frac{New}{Old}$ New, R:Old $\frac{New}{Old}$ New, S:Old $\frac{New}{Old}$ New, W:Add, Z:Discontinued, F:Interchangeable by set, K:Q'ty Change
 ++ CONTINUE ++
 Copyright (C) YANMAR CO., LTD. All Rights Reserved.

OCD10-M41000

Fig.1. CYLINDER BLOCK



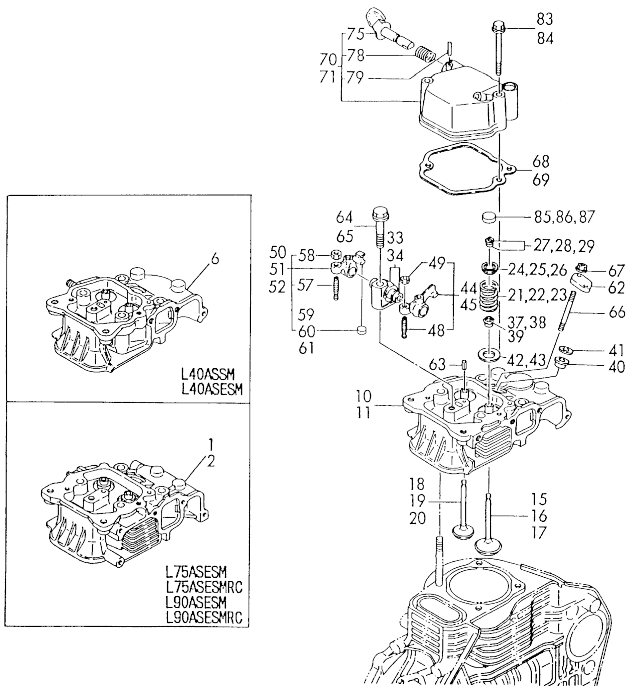
No.	Lev.	Parts No.	Description	Q'ty						I	R
				(A)	(B)	(C)	(D)	(E)	(F)		
75	1	114250-02030	RETAINER, BEARING	1	1	1	1	1			
76	1	114250-02113	BEARING, HR6306G3C3	1							
77	1	114350-02113	BEARING, B35-135G3C3			1	1				
78	1	114650-02150	BEARING, HR6308G3C3					1	1		
79	1	160110-02220	SEAL, OIL	1	2	2					
80	1	24423-355008	SEAL, OIL TC355008				2	2			
81	1	160210-02220	SEAL, 25X41.2X8	1							
82	1	24101-062050	BEARING, BALL 6205C3	1							
83	1	24101-062060	BEARING, BALL 6206C3			1	1				
84	1	24101-062070	BEARING, BALL 6207C3					1	1		
85	1	24162-152112	BEARING, 152112	1	1	1	1	1	1		
86	1	26106-080122	BOLT, M8X 12 PLATED	1	1	1	1	1	1		
87	1	23871-010000	PLUG, R01					1	1		
88	1	114250-02100	BEARING, MAIN	1						1	
89	1	114350-02100	BEARING, MAIN			1	1			1	
90	1	114650-02100	BEARING, MAIN					1	1	1	
91	1	114250-02200	BEARING, 0.25 US	1						2	
92	1	114350-02200	BEARING, 0.25 US			1	1			2	
93	1	114650-02200	BEARING, 0.25 US					1	1	2	
94	1	114250-02210	BEARING, 0.50 US	1						3	
95	1	114350-02210	BEARING, 0.50 US			1	1			3	
96	1	114650-02210	BEARING, 0.50 US					1	1	3	

Remarks

- (1) ONLY FOR REPAIR.
- (2) UNDERSIZED(U.S=0.25) PART.
- (3) UNDERSIZED(U.S=0.50) PART.

N:Old $\frac{100}{100}$ New, Q:Old $\frac{100}{100}$ New, R:Old $\frac{100}{100}$ New, S:Old $\frac{100}{100}$ New, W:Add, Z:Discontinued, F:Interchangeable by set, K:Q'ty Change
 Copyright (C) YANMAR CO., LTD. All Rights Reserved.

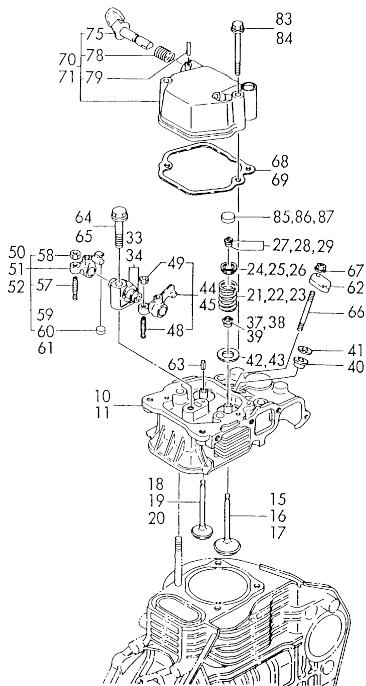
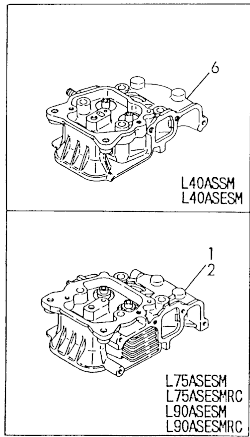
Fig.2. CYLINDER HEAD & BONNET



No.	Lev.	Parts No.	Description	Q'ty						I	R
				(A)	(B)	(C)	(D)	(E)	(F)		
1	1	114650-11010	HEAD ASSY, CYLINDER							1	
2	1	114550-11010	HEAD ASSY, CYLINDER					1			
6	1	114250-11020	HEAD ASSY, CYLINDER	1							
10	1	114870-11020	HEAD ASSY, CYLINDER					1			
11	1	114450-11021	HEAD ASSY, CYLINDER		1						
15	1	114250-11101	VALVE, INTAKE	1							
16	1	114350-11101	VALVE, INTAKE		1	1					
17	1	114650-11100	VALVE, INTAKE					1	1		
18	1	114250-11113	VALVE, EXHAUST	1							
19	1	114350-11113	VALVE, EXHAUST		1	1					
20	1	114654-11110	VALVE, EXHAUST					1	1		
21	1	114250-11120	SPRING, VALVE	2							
22	1	114350-11120	SPRING, VALVE		2	2					
23	1	114650-11121	SPRING, VALVE					2	2		
24	1	101158-11180	RETAINER, SPRING	2	2						
25	1	114250-11180	RETAINER, SPRING	2							
26	1	119620-11180	RETAINER, SPRING					2	2		
27	1	27310-070001	COTTER, 7					2	2		
28	1	27310-060001	COTTER, 6		2	2					
29	1	714250-11570	COTTER ASSY	2							
33	1	114650-11261	SUPPORT, ROCKER ARM					1	1		
34	1	114250-11290	SUPPORT, ROCKER ARM	1	1	1					
37	1	114250-11340	SEAL, VALVE STEM	2							
38	1	114350-11340	SEAL, VALVE STEM		2	2					
39	1	114650-11340	SEAL, VALVE STEM					2	2		
40	1	114250-11460	GASKET, NOZZLE	1	1	1	1	1	1		
41	1	114350-11470	SPACER, NOZZLE	1	1	1	1	1	1		
42	1	114250-11600	WASHER	2	2	2					
43	1	114650-11600	WASHER					2	2		
44	1	114250-11651	ARM, ROCKER	1	1	1					
45	1	114650-11652	ARM, ROCKER					1	1		
48	2	114250-11240	SCREW, VALVE ADJUST	1	1	1	1	1	1		
49	2	26756-060002	NUT, LOCK M6	1	1	1	1	1	1		
50	1	714270-11660	ARM ASSY, ROCKER	1							
51	1	714370-11660	ARM ASSY, ROCKER		1	1					
52	1	714670-11660	ARM ASSY, ROCKER					1	1		
57	3	114250-11240	SCREW, VALVE ADJUST	1	1	1	1	1	1		
58	3	26756-060002	NUT, LOCK M6	1	1	1	1	1	1		
59	2	119260-11370	CAP, VALVE	1							
60	2	105010-11490	CAP, VALVE		1	1					
61	2	104211-11370	CAP, VALVE					1	1		
62	1	114250-11900	RETAINER, NOZZLE	1	1	1	1	1	1		
63	1	22351-040008	PIN, SPRING 4.0X 8	1	1	1	1	1	1		
64	1	26106-080452	BOLT, M8X 45 PLATED	1	1	1					
65	1	26106-100552	BOLT, M10X 55 PLATED					1	1		
66	1	26226-060652	STUD, M6X 65	2	2	2	2	2	2		
67	1	26366-060002	NUT, M6	2	2	2	2	2	2		
68	1	114250-11310	GASKET, BONNET	1	1	1					
69	1	114650-11310	GASKET, BONNET					1	1		
70	1	114250-11951	BONNET ASSY, HEAD	1	1	1					
71	1	114650-11951	BONNET ASSY, HEAD					1	1		

N:Old $\frac{New}{Old}$ New, Q:Old $\frac{New}{Old}$ New, R:Old $\frac{New}{Old}$ New, S:Old $\frac{New}{Old}$ New, W:Add, Z:Discontinued, F:Interchangeable by set, K:Q'ty Change
 ++ CONTINUE ++
 Copyright (C) YANMAR CO., LTD. All Rights Reserved.

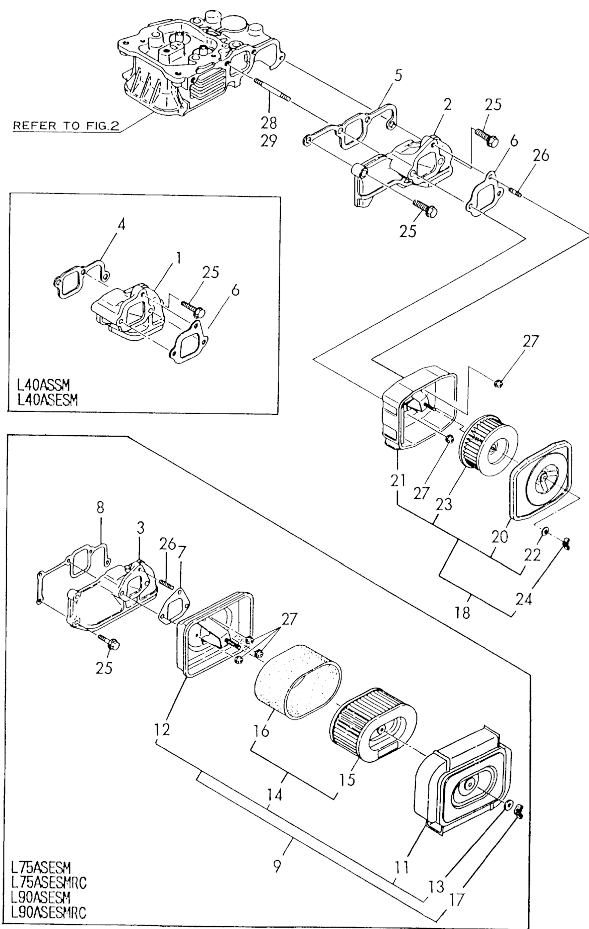
Fig.2. CYLINDER HEAD & BONNET



No.	Lev.	Parts No.	Description	Q'ty						I	R
				(A)	(B)	(C)	(D)	(E)	(F)		
75	2	114250-03591	LEVER ASSY	1	1	1	1	1			
78	2	114250-03640	SPRING, DECOMPRESSION	1	1	1	1	1			
79	2	22312-030160	PIN, PARALLEL M3X16	1	1	1	1	1			
83	1	26106-060552	BOLT, M6X 55 PLATED	2	2	2					
84	1	26106-060702	BOLT, M6X 70 PLATED				2	2			
85	1	105010-11490	CAP, VALVE		1	1					
86	1	119260-11370	CAP, VALVE	1							
87	1	104211-11370	CAP, VALVE				1	1			

OCD10-M41000

Fig.3. AIR CLEANER

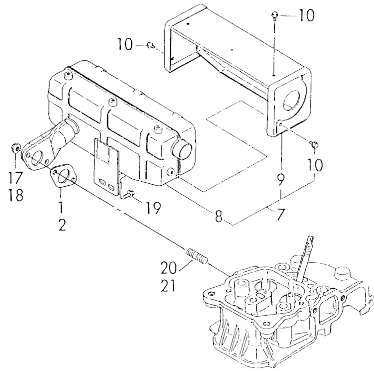
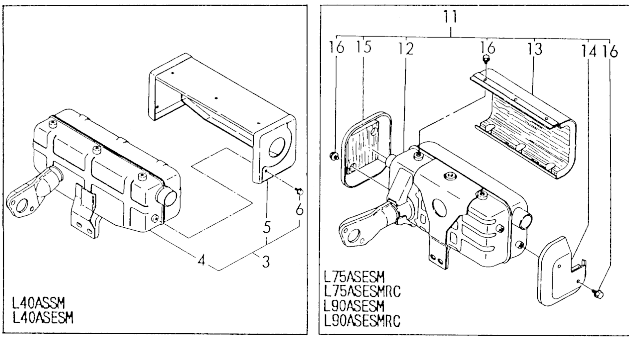


No.	Lev.	Parts No.	Description	Q'ty						I	R
				(A)	(B)	(C)	(D)	(E)	(F)		
1	1	114250-12010	PIPE, AIR INTAKE								
2	1	114350-12011	PIPE, AIR INTAKE								
3	1	114650-12020	PIPE, AIR INTAKE								
4	1	114250-12200	GASKET	1							
5	1	114350-12201	GASKET		1	1					
6	1	114250-12210	GASKET, AIR CLEANER	1	1	1					
7	1	114650-12210	GASKET, AIR CLEANER					1	1		
8	1	114650-12300	GASKET					1	1		
9	1	714650-12560	CLEANER ASSY, AIR					1	1		
11	3	114650-12520	COVER, AIR CREAMER					1	1		
12	3	114650-12530	CASE ASSY, CLEANER					1	1		
13	3	114252-12560	WASHER, SEAL M8					1	1		
14	3	114650-12590	ELEMENT ASSY					1	1		
15	4	114650-12540	ELEMENT					1	1		
16	4	114650-12550	FILTER, PRE					1	1		
17	2	114252-12550	NUT, WING M8					1	1		
18	1	714250-12560	CLEANER ASSY, AIR	1	1	1					
20	3	114250-12520	COVER, AIR CREAMER	1	1	1					
21	3	114250-12530	CASE ASSY, CLEANER	1	1	1					
22	3	114250-12560	WASHER, SEAL M6	1	1	1					
23	3	114250-12580	ELEMENT	1	1	1					
24	2	114250-12550	NUT, WING M6	1	1	1					
25	1	26106-060252	BOLT, M6X 25 PLATED	1	2	2	3	3			
26	1	26226-060142	STUD, M6X 14	1	1	1	1	1			
27	1	26366-060002	NUT, M6	3	3	3	3	3			
28	1	26226-060552	STUD, M6X 55	2	2	2					
29	1	26226-060752	STUD, M6X 75					2	2		

N:Old $\frac{New}{Old}$ New, Q:Old $\frac{New}{Old}$ New, R:Old $\frac{New}{Old}$ New, S:Old $\frac{New}{Old}$ New, W:Add, Z:Discontinued, F:Interchangeable by set, K:Q'ty Change
 Copyright (C) YANMAR CO., LTD. All Rights Reserved.

OCD10-M41000

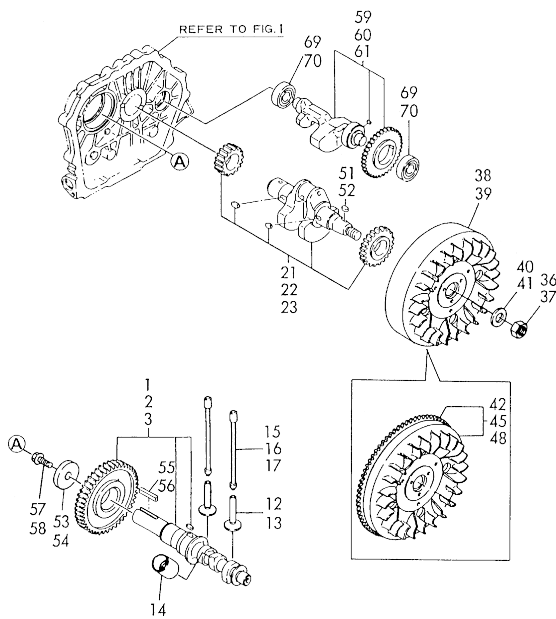
Fig.4. MUFFLER



No.	Lev.	Parts No.	Description	Q'ty						I	R
				(A)	(B)	(C)	(D)	(E)	(F)		
1	1	114250-13200	GASKET, MUFFLER								
2	1	114650-13200	GASKET, MUFFLER	1	1	1		1	1		
3	1	114260-13501	MUFFLER ASSY	1							
4	2	114260-13510	MUFFLER	1							
5	2	114260-13701	COVER	1							
6	2	26106-060082	BOLT, M6X 8 PLATED	5							
7	1	114360-13501	MUFFLER ASSY		1	1					
8	2	114360-13510	MUFFLER		1	1					
9	2	114260-13701	COVER		1	1					
10	2	26106-060082	BOLT, M6X 8 PLATED		5	5					
11	1	114674-13560	MUFFLER ASSY					1	1		
12	2	114674-13520	SILENCER					1	1		
13	2	183382-13700	COVER					1	1		
14	2	114674-13710	COVER					1	1		
15	2	114970-13710	COVER					1	1		
16	2	160260-01580	BOLT, FLANGE M6X6					10	10		
17	1	26106-060122	BOLT, M6X 12 PLATED	2	2	2					
18	1	26106-080162	BOLT, M8X 16 PLATED					2	2		
19	1	26366-080002	NUT, M8		2	2	2	2	2		
20	1	26216-080182	STUD, M8X 18		2	2	2				
21	1	26226-080202	STUD, M8X 20					2	2		

N:Old $\frac{New}{Old}$ New, Q:Old $\frac{New}{Old}$ New, R:Old $\frac{New}{Old}$ New, S:Old $\frac{New}{Old}$ New, W:Add, Z:Discontinued, F:Interchangeable by set, K:Q'ty Change
 Copyright (C) YANMAR CO., LTD. All Rights Reserved.

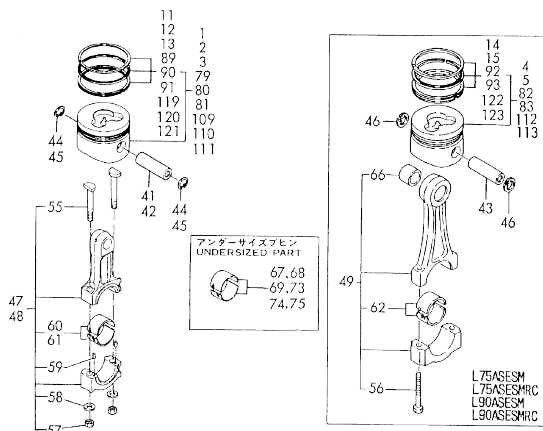
Fig.5. CAMSHAFT & CRANKSHAFT



No.	Lev.	Parts No.	Description	Q'ty						I	R
				(A)	(B)	(C)	(D)	(E)	(F)		
1	1	714770-14580	CAMSHAFT ASSY	1							
1-1	1	714770-14582	CAMSHAFT ASSY, S	1							R
(A=EZZZZZ)											
2	1	714870-14580	CAMSHAFT ASSY		1	1					
3	1	714679-14580	CAMSHAFT ASSY				1	1			
12	1	114250-14200	TAPPET	2	2	2					
13	1	114650-14200	TAPPET				2	2			
14	1	114250-14260	TAPPET	1	1	1	1	1			
15	1	114650-14401	ROD ASSY, PUSH				2	2			
16	1	114250-14450	ROD ASSY, PUSH	2							
17	1	114350-14450	ROD ASSY, PUSH		2	2					
21	1	714278-21710	CRANKSHAFT ASSY	1							
22	1	714378-21710	CRANKSHAFT ASSY		1	1					
23	1	714679-21710	CRANKSHAFT ASSY				1	1			
36	1	103854-01221	NUT, CYLINDER HEAD	1	1	1					
37	1	122710-01220	NUT, CYLINDER HEAD				1	1			
38	1	114770-21400	FLYWHEEL	1							
39	1	114870-21400	FLYWHEEL		1	1					
40	1	114250-21550	WASHER	1	1	1					
41	1	114650-21551	WASHER				1	1			
42	1	114651-21592	FLYWHEEL				1	1			
45	1	114771-21590	FLYWHEEL ASSY	1							
48	1	114871-21590	FLYWHEEL ASSY		1	1					
51	1	22512-040120	KEY, 4X 12	1	1	1					
52	1	22512-050140	KEY, 5X 14				1	1			
53	1	160310-14550	WASHER	1	1	1					
54	1	145610-83880	RETAINER				1	1			
55	1	22512-050300	KEY, 5X 30	1							
56	1	22512-070360	KEY, 7X 36		1	1	1	1	1		
57	1	26106-080202	BOLT, M8X 20 PLATED	1	1	1					
58	1	26106-100252	BOLT, M10X 25 PLATED					1	1		
59	1	714770-28510	SHAFT ASSY, BALANCER	1							
59-1	1	714770-28511	SHAFT ASSY, BALANCER	1							R
(A=EZZZZZ)											
59-2	1	714770-28512	SHAFT ASSY, BALANCER	1							R
(A=EZZZZZ)											
60	1	714870-28510	SHAFT ASSY, BALANCER		1	1					
61	1	714970-28510	SHAFT ASSY, BALANCER				1	1			
69	1	24101-062024	BEARING, BALL 6202	2	2	2					
70	1	24101-062034	BEARING, BALL 6203				2	2			

N:Old $\frac{New}{Old}$ New, Q:Old $\frac{New}{Old}$ New, R:Old $\frac{New}{Old}$ New, S:Old $\frac{New}{Old}$ New, W:Add, Z:Discontinued, F:Interchangeable by set, K:Q'ty Change
 Copyright (C) YANMAR CO., LTD. All Rights Reserved.

Fig.6. PISTON & CONNECTING ROD

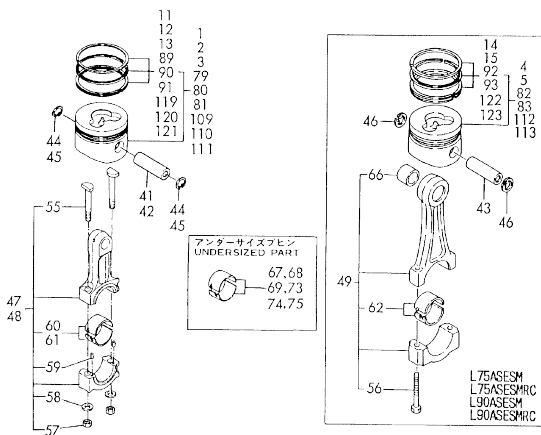


No.	Lev.	Parts No.	Description	Q'ty						I	R
				(A)	(B)	(C)	(D)	(E)	(F)		
1	1	714270-22720	PISTON ASSY, 19-63	1							
2	1	714470-22720	PISTON ASSY		1						
3	1	714370-22720	PISTON ASSY, S D75			1					
4	1	714550-22723	PISTON ASSY, S				1				
5	1	714650-22723	PISTON ASSY, S					1			
11	2	714250-22502	RING SET, PISTON	1							
12	2	714450-22501	RING SET, PISTON		1						
13	2	714350-22502	RING SET, PISTON			1					
14	2	714550-22502	RING SET, PISTON				1				
15	2	714650-22502	RING SET, PISTON					1			
41	1	114250-22302	PIN, PISTON D=19	1							
42	1	114350-22301	PIN, PISTON D=21			1					
43	1	114650-22300	PIN, PISTON D=23				1	1			
44	1	22252-000190	RING, 19	2							
45	1	22252-000210	RING, 21		2	2					
46	1	129792-22400	CIRCLIP, 23				2	2			
47	1	714250-23703	ROD ASSY, CONNECTING	1							
48	1	714350-23702	ROD ASSY, CONNECTING		1	1					M
48-1	1	714350-23704	ROD ASSY, CONNECTING		1	1					
49	1	714650-23700	ROD ASSY, CONNECTING				1	1			
55	3	114250-23200	BOLT, CONNECTING ROD	2	2	2					
56	3	104200-23201	BOLT, CONNECTING ROD				2	2			
57	3	114250-23220	NUT	2	2	2					
58	3	114250-23250	WASHER	2	2	2					
59	3	22312-030080	PIN, PARALLEL M3X 8	2	2	2					
60	2	714250-23600	BEARING, CRANK PIN	1							
61	2	714350-23600	BEARING, CRANK PIN		1	1					
62	2	714650-23600	BEARING, CRANK PIN				1	1			
66	2	124060-23100	BEARING, PISTON PIN				1	1			
67	1	714250-23610	BEARING ASSY, 0.25	1							1
68	1	714350-23610	BEARING ASSY, 0.25		1	1					1
69	1	714650-23610	BEARING ASSY, 0.25				1	1			1
73	1	714250-23620	BEARING, 0.50 US	1							2
74	1	714350-23620	BEARING, 0.50 US		1	1					2
75	1	714650-23620	BEARING, 0.50 US				1	1			2
79	1	714270-22620	PISTON ASSY, 0.25 OS	1							3
80	1	714470-22620	PISTON ASSY, 0.25 OS		1						3
81	1	714370-22620	PISTON ASSY, 0.25 OS			1					3
82	1	714550-22623	PISTON ASSY, 0.25 OS				1				3
83	1	714650-22623	PISTON ASSY, 0.25 OS					1			3
89	2	714250-22542	RING SET, 0.25 OS	1							3
90	2	714450-22541	RING SET, 0.25 OS		1						3
91	2	714350-22542	RING SET, 0.25 OS			1					3
92	2	714550-22542	RING SET, 0.25 OS				1				3
93	2	714650-22542	RING SET, 0.25 OS					1			3
109	1	714270-22580	PISTON ASSY, 0.50 OS	1							4
110	1	714470-22580	PISTON ASSY, 0.50 OS		1						4
111	1	714370-22580	PISTON ASSY, 0.50 OS			1					4
112	1	714550-22580	PISTON ASSY, 0.50 OS				1				4
113	1	714650-22580	PISTON ASSY, 0.50 OS					1			4
119	2	714250-22550	RING SET, 0.50 OS	1							4

Remarks

- (1) UNDERSIZED(U.S=0.25) PART.
- (2) UNDERSIZED(U.S=0.50) PART.
- (3) OVERSIZED(O.S=0.25) PART.
- (4) OVERSIZED(O.S=0.50) PART.
- (M) MISPRINT.

Fig.6. PISTON & CONNECTING ROD



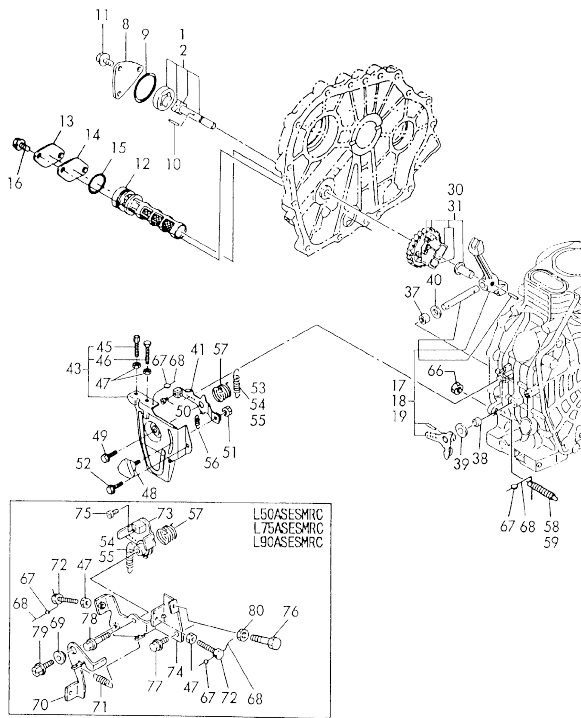
No.	Lev.	Parts No.	Description	Q'ty						
				(A)	(B)	(C)	(D)	(E)	(F)	
120	2	714450-22550	RING SET, 0.50 OS		1					4
121	2	714350-22550	RING SET, 0.50 OS			1				4
122	2	714550-22550	RING SET, 0.50 OS				1			4
123	2	714650-22550	RING SET, 0.50 OS					1		4

Remarks

- (1) UNDERSIZED(U.S=0.25) PART.
- (2) UNDERSIZED(U.S=0.50) PART.
- (3) OVERSIZED(O.S=0.25) PART.
- (4) OVERSIZED(O.S=0.50) PART.
- (M) MISPRINT.

OCD10-M41000

Fig.7. LUB. OIL PUMP & GOVERNOR



No.	Lev.	Parts No.	Description	Qty						I	R
				(A)	(B)	(C)	(D)	(E)	(F)		
1	1	114250-32010	PUMP ASSY, OIL								
2	1	114650-32010	PUMP ASSY, OIL								
8	1	114250-32070	COVER	1	1	1	1	1	1		
9	1	103338-32570	O-RING	1	1	1	1	1	1		
10	1	22312-030160	PIN, PARALLEL M3X16	1	1	1	1	1	1		
11	1	26476-060142	SCREW, TAPPING M6X14	3	3	3	3	3	3		
12	1	114250-35060	FILTER, OIL	1	1	1	1	1	1		
13	1	114250-35250	COVER	1	1	1	1	1	1		
14	1	114250-35270	GASKET	1	1	1	1	1	1		
15	1	24341-000224	O-RING, 1AS22.4	1	1	1	1	1	1		
16	1	26106-060122	BOLT, M6X 12 PLATED	2	2	2	2	2	2		
17	1	714250-61500	LEVER ASSY, GOVERNOR	1							
18	1	714350-61500	LEVER ASSY, GOVERNOR		1	1					
19	1	714650-61500	LEVER ASSY, GOVERNOR					1	1		
30	1	714770-61700	GOVERNOR ASSY	1	1	1					
31	1	714970-61700	GOVERNOR ASSY						1	1	
37	1	121450-61520	BEARING, NEEDLE 8	2	2	2	2	2	2		
38	1	114770-61600	SEAL, OIL	1	1	1	1	1	1		
39	1	114770-61610	WASHER, THRUST	2	2	2	2	2	2		
40	1	22137-080000	WASHER, 8	1	1	1	1	1	1		
41	1	114250-66050	HANDLE, REGULATOR	1	1	1	1	1	1		
43	1	114268-66500	BRACKET ASSY, HANDLE	1	1	1	1	1	1		
45	2	114250-66440	BOLT, ADJUSTING	1	1	1	1	1	1		
46	2	102100-67080	BOLT, ADJUSTING	1	1	1	1	1	1		
47	1	26757-060002	NUT, LOCK M6	2	2	2	2	2	2		
48	1	160725-78350	KNOB	1	1	1	1	1	1		
49	1	26106-060202	BOLT, M6X 20 PLATED	1	1	1	1	1	1		
50	1	26117-040088	BOLT M 4X 8 PLATED	1	1	1	1	1	1		
51	1	26347-060002	NUT, M6	1	1	1	1	1	1		
52	1	26476-060142	SCREW, TAPPING M6X14	1	1	1	1	1	1		
53	1	114770-66010	SPRING, REGULATOR	1							
54	1	114870-66010	SPRING, REGULATOR		1	1					
55	1	114970-66010	SPRING, REGULATOR					1	1		
56	1	114250-66200	SPRING, RETURN	1	1	1	1	1	1		
57	1	114252-66252	SPRING, RETURN	1	1	1	1	1	1		
58	1	114250-66550	LIMITER ASSY, FUEL	1	1	1					
59	1	114650-66500	LIMITER ASSY, FUEL						1	1	
66	1	26696-100002	NUT, LOCK M10	1	1	1	1	1	1		
67	1	135210-61090	LEAD	2	2	2	2	2	2		
68	1	22451-060000	WIRE, 0.6	2	2	2	2	2	2		
69	1	114654-66140	PIECE	1	1	1	1	1	1		1
70	1	114650-66150	LEVER, STOP	1	1	1	1	1	1		1
71	1	114268-66200	SPRING, RETURN	1			1	1	1		1
72	1	114250-66440	BOLT, ADJUSTING	2			2	2	2		1
73	1	114652-66871	LEVER, REGULATOR	1			1	1	1		1
74	1	114652-66881	BRACKET	1			1	1	1		1
75	1	105225-66990	SCREW, M5X8.5	1			1	1	1		1
76	1	102100-67080	BOLT, ADJUSTING	1			1	1	1		1
77	1	26106-060122	BOLT, M6X 12 PLATED	1			1	1	1		1
78	1	26106-060302	BOLT, M6X 30 PLATED	1			1	1	1		1
79	1	26476-060202	SCREW, TAPPING M6X20	1			1	1	1		1

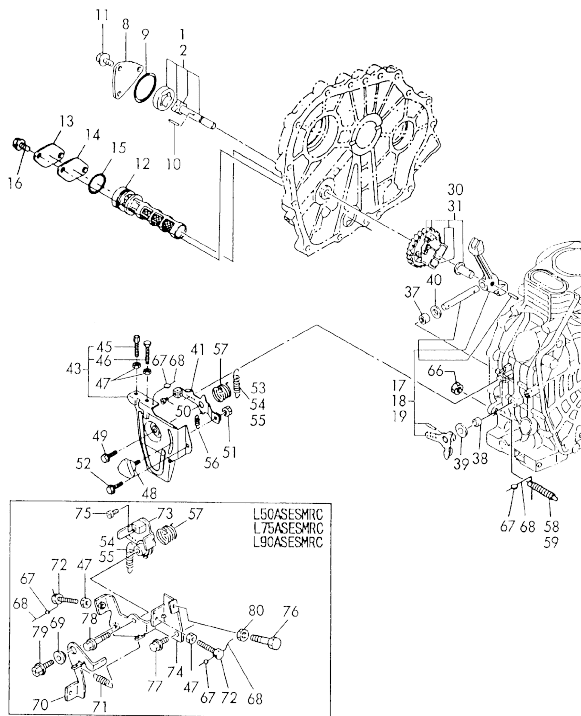
Remarks

(1) EXCLUSIVE FOR L50ASESMRC, L75ASESMRC & L90ASESMRC.

N:Old $\frac{New}{Old}$ New, Q:Old $\frac{New}{Old}$ New, R:Old $\frac{New}{Old}$ New, S:Old $\frac{New}{Old}$ New, W:Add, Z:Discontinued, F:Interchangeable by set, K:Qty Change
 ++ CONTINUE ++ Copyright (C) YANMAR CO., LTD. All Rights Reserved.

OCD10-M41000

Fig.7. LUB. OIL PUMP & GOVERNOR



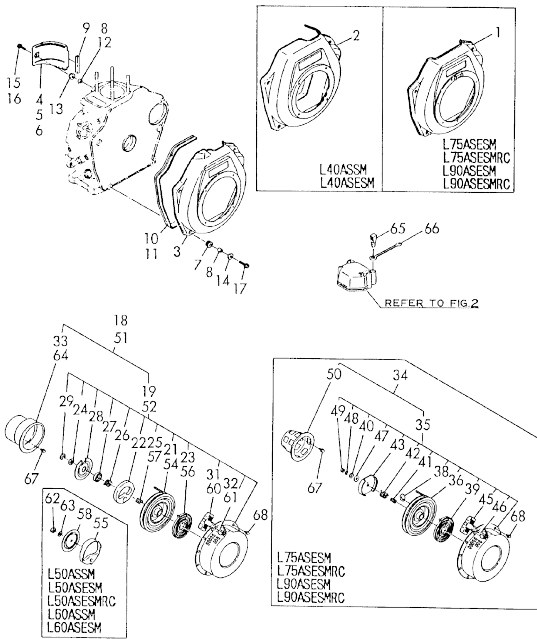
No.	Lev.	Parts No.	Description	Q'ty						I	R
				(A)	(B)	(C)	(D)	(E)	(F)		
80	1	26757-060002	NUT, LOCK M6		1		1		1		1

Remarks
 (1) EXCLUSIVE FOR L50ASESMRC, L75A-
 SESMRC & L90ASESMRC.

N:Old $\frac{100}{100}$ New, Q:Old $\frac{100}{100}$ New, R:Old $\frac{100}{100}$ New, S:Old $\frac{100}{100}$ New, W:Add, Z:Discontinued, F:Interchangeable by set, K:Q'ty Change
 Copyright (C) YANMAR CO., LTD. All Rights Reserved.

OCD10-M41000

Fig.8. COOLING & STARTING DEVICE



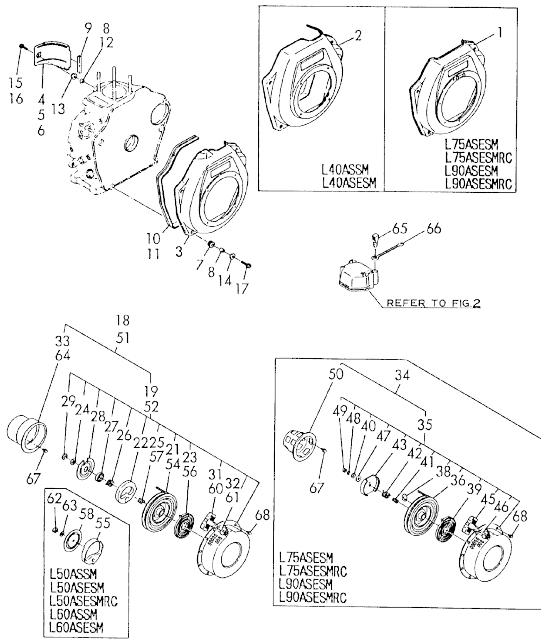
No.	Lev.	Parts No.	Description	Q'ty						I	R
				(A)	(B)	(C)	(D)	(E)	(F)		
1	1	114658-45102	CASE, COOLING FAN					1	1		
2	1	114770-45100	CASE, COOLING FAN	1							
3	1	114870-45100	CASE, COOLING FAN		1	1					
4	1	114650-45200	COVER					1	1		
5	1	114870-45200	COVER		1	1					
6	1	114250-45211	COVER	1							
7	1	114250-45300	ABSORBER	4	5	5	4	4			
8	1	114250-45310	COLLAR	4	5	5	4	4			
9	1	114350-45320	RUBBER, SEAL		1	1	1	1			
10	1	114250-45330	SEAL, FAN CASE L=875	1	1	1					
11	1	114650-45330	SEAL, FAN CASE L=950					1	1		
12	1	114350-45340	COLLAR		1	1	1	1			
13	1	183720-55210	GROMMET				1	1	1		
14	1	160120-76940	WASHER	4	5	5	4	4			
15	1	26476-060142	SCREW, TAPPING M6X14	1							
16	1	26476-060202	SCREW, TAPPING M6X20				1	1	1	1	
17	1	26476-060252	SCREW, TAPPING M6X25	4	5	5	4	4			
18	1	114250-76050	STARTER ASSY, RECOIL	1							
18-1	1	114250-76051	STARTER ASSY, RECOIL	1							R 1
(A=EZZZZZ)											
19	2	114250-76250	STARTER ASSY, RECOIL	1							
19-1	2	114250-76251	STARTER ASSY, RECOIL	1							S
(A=EZZZZZ)											
21	3	160260-76520	REEL	1							
22	3	160260-76530	RATCHET	1							
23	3	160260-76540	SPRING, SPIRAL	1							
24	3	160260-76550	WASHER, THRUST	1							
25	3	160260-76560	SPRING, FRICTION	1							
26	3	160260-76570	SPRING, RETURN	1							
27	3	160260-76580	COVER	1							
28	3	160260-76590	PLATE, FRICTION	1							
29	3	160260-76600	CIRCLIP	1							
31	4	160260-76620	KNOB, STARTER	1							
31-1	4	160490-76600	KNOB, STARTER	1							S
(A=EZZZZZ)											
32	4	160260-76630	ROPE, STARTER	1							
32-1	4	160260-76630	ROPE, STARTER	1							
(A=EZZZZZ)											
33	2	114250-76590	PULLEY, STARTER	1							
34	1	114650-76050	STARTER ASSY, RECOIL					1	1		
34-1	1	114650-76051	STARTER ASSY, RECOIL					1	1		S 1
(D=EZZZZZ)											
(E=EZZZZZ)											
35	2	114650-76250	STARTER ASSY, RECOIL					1	1		
36	3	114650-76520	REEL					1	1		
38	3	160910-76530	RATCHET					1	1		
39	3	114650-76540	SPRING, SPIRAL					1	1		
40	3	160910-76550	WASHER, THRUST					1	1		
41	3	160910-76560	SPRING, FRICTION					1	1		
42	3	160910-76570	SPRING, RETURN					1	1		
43	3	160910-76580	PLATE, FRICTION					1	1		
45	3	160910-76620	KNOB, STARTER					1	1		

Remarks
 (1) New type is in Fig.13
 *This item is applicable to
 [(D)(E)=EZZZZZ-1] or previous
 machines. Refer to Fig.13.

N:Old $\frac{100}{100}$ New, Q:Old $\frac{100}{100}$ New, R:Old $\frac{100}{100}$ New, S:Old $\frac{100}{100}$ New, W:Add, Z:Discontinued, F:Interchangeable by set, K:Q'ty Change
 ++ CONTINUE ++
 Copyright (C) YANMAR CO., LTD. All Rights Reserved.

OCD10-M41000

Fig.8. COOLING & STARTING DEVICE

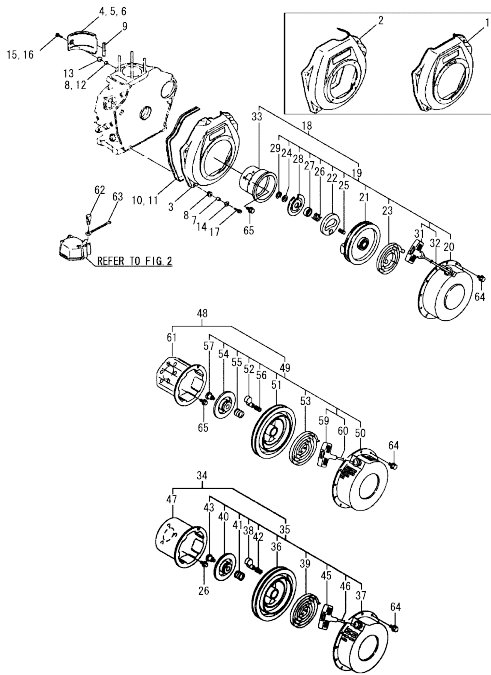


No.	Lev.	Parts No.	Description	Q'ty						I	R
				(A)	(B)	(C)	(D)	(E)	(F)		
46	3	114650-76630	ROPE, STARTER				1	1			
47	3	160910-76650	WASHER, THRUST				1	1			
48	3	22217-060000	WASHER, SPRING 6				1	1			
49	3	26717-060002	NUT, M6				1	1			
50	2	114660-76590	PULLEY, STARTER				1	1			
51	1	114870-76050	STARTER ASSY, RECOIL	1	1					1	
52	2	114870-76250	STARTER ASSY, RECOIL	1	1						
54	3	160810-76520	REEL	1	1						
55	3	160810-76530	RATCHET	1	1						
56	3	160810-76540	SPRING, SPIRAL	1	1						
57	3	160810-76560	SPRING, FRICTION	1	1						
58	3	160810-76580	PLATE, FRICTION	1	1						
60	3	160810-76620	KNOB, STARTER	1	1						
61	3	160810-76630	ROPE, STARTER	1	1						
62	3	181130-76680	NUT	1	1						
63	3	181130-76700	WASHER	1	1						
64	2	114350-76590	PULLEY, STARTER	1	1						
65	1	114250-76600	PLUNGER	1	1	1					
66	1	114250-76610	HOLDER, PLUNGER	1	1	1					
67	1	26106-060122	BOLT, M6X 12 PLATED	3	3	3	4	4			
68	1	26106-060082	BOLT, M6X 8 PLATED	4	4	4	4	4			

Remarks
 (1)New type is in Fig.13
 *This item is applicable to
 [(D)(E)=EZZZZ-1] or previous
 machines. Refer to Fig.13.

OCD10-M41000

Fig.13. (8A)COOLING & STARTING DEVICE



No.	Lev.	Parts No.	Description	Q'ty						I	R
				(A)	(B)	(C)	(D)	(E)	(F)		
1	1	114658-45102	CASE, COOLING FAN						1		
2	1	114770-45100	CASE, COOLING FAN	1							
3	1	114870-45100	CASE, COOLING FAN			1	1				
4	1	114650-45201	COVER					1	1		
5	1	114870-45201	COVER			1	1				
6	1	114299-45210	COVER	1							
7	1	114250-45301	ABSORBER							4	4
8	1	114250-45310	COLLAR	4	5	5	4	4			
9	1	114350-45320	RUBBER SEAL			1	1	1	1		
10	1	114250-45330	SEAL, FAN CASE L=875	1	1	1					
11	1	114650-45330	SEAL, FAN CASE L=950						1	1	
12	1	114350-45340	COLLAR			1	1	1	1		
13	1	183720-55210	GROMMET				1	1	1	1	
14	1	160120-76940	WASHER	4	5	5	4	4			
17	1	26476-060252	SCREW, TAPPING M6X25	4	5	5	4	4			
18	1	114250-76051	STARTER ASSY, RECOIL	1							1
19	2	114250-76251	STARTER ASSY, RECOIL								
20	3	114250-76510	CASE, STARTER	1							
21	3	160260-76520	REEL	1							
22	3	160260-76530	RATCHET	1							
23	3	160260-76540	SPRING, SPIRAL	1							
24	3	160260-76550	WASHER, THRUST	1							
25	3	160260-76560	SPRING, FRICTION	1							
26	3	160260-76570	SPRING, RETURN	1							
27	3	160260-76580	COVER	1							
28	3	160260-76590	PLATE, FRICTION	1							
29	3	160260-76600	CIRCLIP	1							
31	4	160490-76600	KNOB, STARTER	1							
32	4	160260-76630	ROPE, STARTER	1							
33	2	114250-76590	PULLEY, STARTER	1							
34	1	114650-76052	STARTER ASSY, RECOIL						1	1	2
35	2	114650-76251	STARTER ASSY, RECOIL							1	1
36	3	114650-76520	REEL							1	1
37	3	114650-76531	CASE, STARTER							1	1
38	3	114870-76530	RATCHET							2	2
39	3	114870-76540	SPRING, SPIRAL							1	1
40	3	114870-76550	GUIDE, RATCHET							1	1
41	3	114870-76560	SPRING, FRICTION							1	1
42	3	114870-76570	SPRING, RETURN							2	2
43	3	114870-76580	SCREW							1	1
45	4	114870-76620	KNOB, STARTER							1	1
46	4	114650-76631	ROPE, STARTER							1	1
47	2	114660-76592	PULLEY, STARTER							1	1
48	1	114870-76051	STARTER ASSY, RECOIL			1	1				3
49	2	114870-76251	STARTER ASSY, RECOIL						1	1	
50	3	114870-76511	CASE, STARTER						1	1	
51	3	114880-76520	REEL							1	1
52	3	114870-76530	RATCHET						2	2	
53	3	114870-76540	SPRING, SPIRAL							1	1
54	3	114870-76550	GUIDE, RATCHET							1	1
55	3	114870-76560	SPRING, FRICTION							1	1

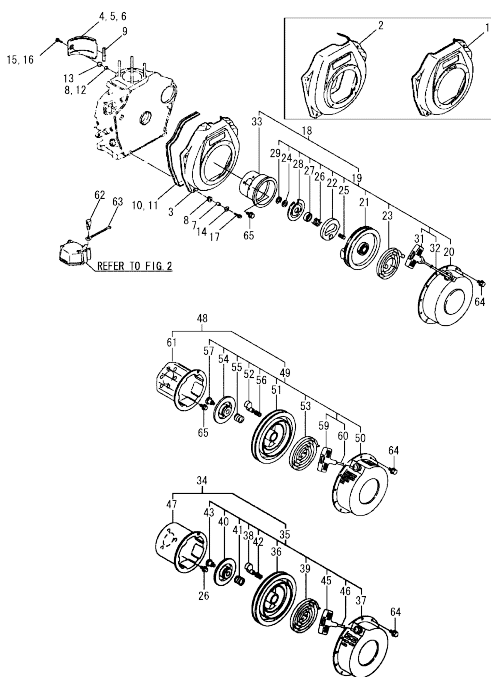
Remarks

- (1) Interchangeable by simultaneous replacement with Ref.19 nd Ref.33
- (2) Interchangeable by simultaneous replacement with Ref.35 nd Ref.47
- (3) Interchangeable by simultaneous replacement with Ref.49 nd Ref.61
- *This item is applicable to [(D)(E)=EZZZZZ] or following machines. Refer to Fig.8.

N:Old $\frac{100}{100}$ New, Q:Old $\frac{100}{100}$ New, R:Old $\frac{100}{100}$ New, S:Old $\frac{100}{100}$ New, W:Add, Z:Discontinued, F:Interchangeable by set, K:Q'ty Change
 ++ CONTINUE ++ Copyright (C) YANMAR CO., LTD. All Rights Reserved.

OCD10-M41000

Fig.13. (8A)COOLING & STARTING DEVICE

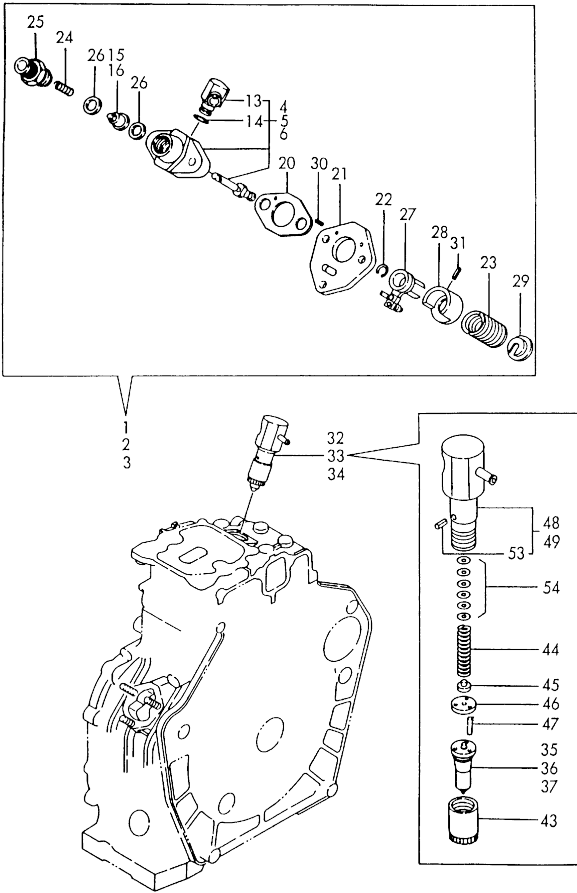


No.	Lev.	Parts No.	Description	Q'ty						
				(A)	(B)	(C)	(D)	(E)	(F)	
56	3	114870-76570	SPRING, RETURN		2	2				
57	3	114870-76580	SCREW		1	1				
59	4	114870-76620	KNOB, STARTER		1	1				
60	4	114870-76630	ROPE, STARTER		1	1				
61	2	114350-76591	PULLEY, STARTER		1	1				
62	1	114250-76600	PLUNGER		1	1	1			
63	1	114250-76610	HOLDER, PLUNGER		1	1	1			
64	1	26106-060082	BOLT, M6X 8 PLATED		4	4	4	4	4	
65	1	26106-060122	BOLT, M6X 12 PLATED		3	3	3	3	3	

Remarks

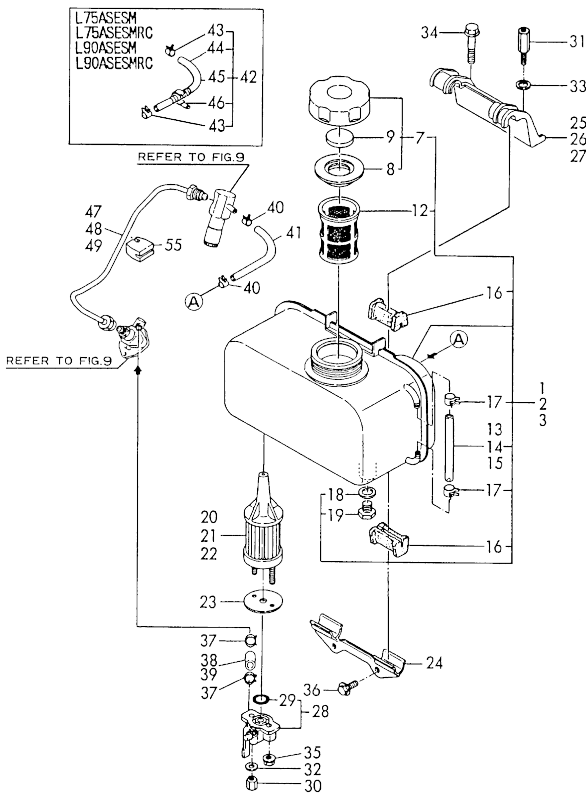
- (1) Interchangeable by simultaneous replacement with Ref.19 nd Ref.33
 - (2) Interchangeable by simultaneous replacement with Ref.35 nd Ref.47
 - (3) Interchangeable by simultaneous replacement with Ref.49 nd Ref.61
- *This item is applicable to [(D)(E)=EZZZZZ] or following machines. Refer to Fig.8.

Fig.9. FUEL INJECTION DEVICE



No.	Lev.	Parts No.	Description	Qty						I	R
				(A)	(B)	(C)	(D)	(E)	(F)		
1	1	714250-51710	PUMP ASSY, INJECTION	1							
2	1	714350-51701	PUMP ASSY, INJECTION		1	1					
3	1	714650-51700	PUMP ASSY, INJECTION				1	1			
4	2	114250-51200	BODY ASSY, PUMP	1							
5	2	114350-51200	BODY ASSY, PUMP		1	1					
6	2	114650-51100	BODY ASSY, PUMP				1	1			
13	3	114250-51180	JOINT, PIPE	1	1	1	1	1	1		
14	3	114250-51190	O-RING, S27	1	1	1	1	1	1		
15	2	114250-51300	VALVE ASSY, DELIVERY	1	1	1					
16	2	114650-51300	VALVE ASSY, DELIVERY					1	1		
20	2	105546-51020	GASKET	1	1	1	1	1	1		
21	2	114250-51080	PLATE	1	1	1	1	1	1		
22	2	114250-51150	RING, SNAP	1	1	1	1	1	1		
23	2	114250-51160	SPRING, PLUNGER	1	1	1	1	1	1		
24	2	105546-51330	SPRING, DELIVERY	1	1	1	1	1	1		
25	2	114250-51340	HOLDER, DELIVERY	1	1	1	1	1	1		
26	2	124550-51350	GASKET, DELIVERY	2	2	2	2	2	2		
27	2	114250-51600	LEVER ASSY, CONTROL	1	1	1	1	1	1		
28	2	114250-51640	SEAT, SPRING A	1	1	1	1	1	1		
29	2	114250-51650	SEAT, SPRING B	1	1	1	1	1	1		
30	2	22351-020006	PIN, SPRING 2.0X 6	2	2	2	2	2	2		
31	2	22351-030008	PIN, SPRING 3.0X 8	1	1	1	1	1	1		
32	1	714250-53101	VALVE ASSY, INJECTION	1							
33	1	714870-53100	VALVE ASSY, INJECTION		1	1					
34	1	714650-53100	VALVE ASSY, INJECTION				1	1			
35	2	114250-53001	VALVE ASSY, INJECTION	1							
36	2	114870-53000	VALVE ASSY, INJECTION		1	1					
37	2	114650-53000	VALVE ASSY, INJECTION					1	1		
43	2	114250-53080	NUT, NOZZLE D16.95	1	1	1	1	1	1		
44	2	114250-53120	SPRING, NOZZLE	1	1	1	1	1	1		
45	2	114250-53130	SEAT, SPRING	1	1	1	1	1	1		
46	2	114250-53140	PLATE	1	1	1	1	1	1		
47	2	114250-53210	PIN	2	2	2	2	2	2		
48	2	114250-53300	HOLDER ASSY, NOZZLE	1	1	1					
49	2	114650-53300	HOLDER ASSY, NOZZLE					1	1		
53	3	114250-53331	PIN	1	1	1	1	1	1		
54	2	114250-53400	SHIM SET	1	1	1	1	1	1		

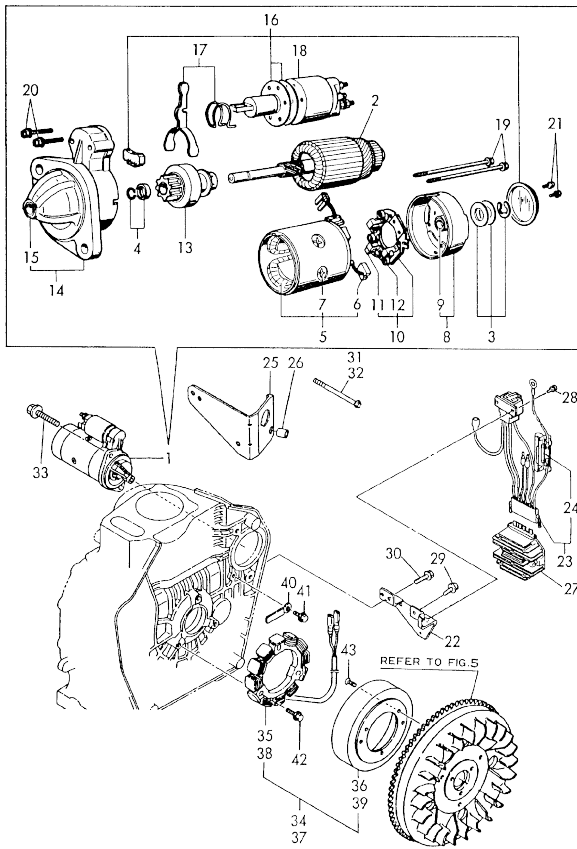
Fig.10. FUEL TANK & FUEL LINE



No.	Lev.	Parts No.	Description	Q'ty						I	R
				(A)	(B)	(C)	(D)	(E)	(F)		
1	1	714250-55701	TANK ASSY, FUEL 2.5L	1							
2	1	714350-55701	TANK ASSY, FUEL		1	1					
3	1	714650-55701	TANK ASSY, FUEL								
7	2	114250-55041	CAP ASSY	1	1	1	1	1	1		
8	3	114250-55050	GASKET	1	1	1	1	1	1		
9	3	114250-55060	SEAL	1	1	1	1	1	1		
12	2	114250-55100	FILTER, FUEL	1	1	1	1	1	1		
13	2	114250-55150	GAUGE, LEVEL	1							
14	2	114350-55150	GAUGE, LEVEL		1	1					
15	2	114650-55150	GAUGE, LEVEL						1	1	
16	2	114250-55201	DAMPER, FUEL TANK	4	4	4	4	4	4		
17	2	124722-59050	CLIP, HOSE 9	2	2	2	2	2	2		
18	2	23414-120000	GASKET, 12X1.0	1	1	1	1	1	1		
19	2	23887-120002	PLUG, 12	1	1	1	1	1	1		
20	1	114250-55120	FILTER ASSY, FUEL	1							
21	1	114350-55120	FILTER ASSY, FUEL		1	1					
22	1	114650-55120	FILTER ASSY, FUEL					1	1		
23	1	114250-55130	GASKET	1	1	1	1				
24	1	114250-55211	STAY, FUEL TANK	1	1	1	1	1	1		
25	1	114250-55231	STAY, FUEL TANK	1							
26	1	114350-55231	STAY, FUEL TANK		1	1					
27	1	114650-55230	STAY, FUEL TANK						1	1	
28	1	114250-55300	COCK ASSY, FUEL	1	1	1	1	1	1		
29	2	24341-000150	O-RING, 1AS15.0	1	1	1	1	1	1		
30	1	114252-55800	NUT	1	1	1	1	1	1		
31	1	114650-55810	BOLT	1	1	1	1	1	1		
32	1	22117-060000	WASHER, 6	1	1	1	1	1	1		
33	1	22117-080000	WASHER, 8	1	1	1	1	1	1		
34	1	26106-080452	BOLT, M8X 45 PLATED	1	1	1	1	1	1		
35	1	26366-060002	NUT, M6	1	1	1	1	1	1		
36	1	26476-060142	SCREW, TAPPING M6X14	2	2	2	2	2	2		
37	1	106990-44660	CLIP, HOSE 12.5	2	2	2	2	2	2		
38	1	114250-59050	PIPE, FUEL L=46	1					1	1	
39	1	114360-59060	PIPE, FUEL L=55		1	1					
40	1	124722-59050	CLIP, HOSE 9	2	2	2					
41	1	114250-59060	PIPE, FUEL RETURN	1	1	1					
42	1	114652-59300	PIPE, FUEL RETURN						1	1	
43	2	124722-59050	CLIP, HOSE 9						2	2	
44	2	114250-59060	PIPE, FUEL RETURN						1	1	
45	2	114652-59310	TUBE, PROTECT						1	1	
46	2	121750-59890	BAND, 140						1	1	
47	1	114250-59800	PIPE ASSY, INJECTION	1							
48	1	114350-59800	PIPE ASSY, INJECTION		1	1					
49	1	114650-59800	PIPE ASSY, INJECTION						1	1	
55	1	114650-59850	SUPPORT						1	1	

N:Old $\frac{100}{100}$ New, Q:Old $\frac{100}{100}$ New, R:Old $\frac{100}{100}$ New, S:Old $\frac{100}{100}$ New, W:Add, Z:Discontinued, F:Interchangeable by set, K:Q'ty Change
 Copyright (C) YANMAR CO., LTD. All Rights Reserved.

Fig.11. STARTING MOTOR & DYNAMO



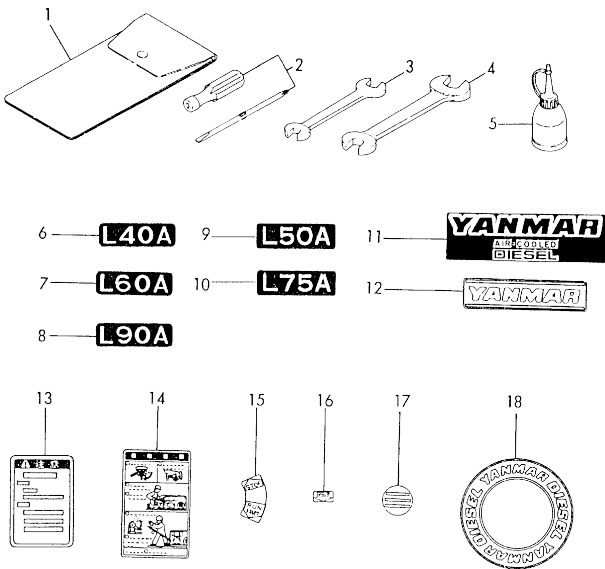
No.	Lev.	Parts No.	Description	Q'ty						I	R
				(A)	(B)	(C)	(D)	(E)	(F)		
1	1	114351-77010	STARTER, S114-413A	1	1	1	1	1	1		
2	2	X211461008	ARMATURE	1	1	1	1	1	1		
3	2	X21148110	WASHER SET, THRUST	1	1	1	1	1	1		
4	2	X21147155	STOPPER SET, PINION	1	1	1	1	1	1		
5	2	X211412105	COIL ASSY, FIELD	1	1	1	1	1	1		
6	3	X21145312	BRUSH, +	2	2	2	2	2	2		
7	3	X21143215	SCREW, CORE	4	4	4	4	4	4		
8	2	X211473002	COVER, REAR	1	1	1	1	1	1		
9	3	X21145352	METAL	1	1	1	1	1	1		
10	2	X211489001	HOLDER ASSY, BRUSH	1	1	1	1	1	1		
11	3	X21148313	BRUSH (-)	1	1	1	1	1	1		
12	3	X21149314	SPRING, BRUSH	3	3	3	3	3	3		
13	2	X211445504	PINION ASSY	1	1	1	1	1	1		
14	2	X211416603	HOUSING ASSY, GEAR	1	1	1	1	1	1		
15	3	X21145352	METAL	1	1	1	1	1	1		
16	2	X211478006	COVER KIT	1	1	1	1	1	1		
17	2	X211456013	LEVER KIT, SHIFT	1	1	1	1	1	1		
18	2	X211427501	SWITCH, MAGNETIC	1	1	1	1	1	1		
19	2	X211468005	BOLT, THROUGH	2	2	2	2	2	2		
20	2	X21145867	BOLT, M6	2	2	2	2	2	2		
21	2	X21142835	SCREW SET	1	1	1	1	1	1		
22	1	114385-77400	BRACKET	1	1	1	1	1	1		
23	1	114351-77540	HARNES, WIRE	1	1	1	1	1	1		
24	2	29411-150000	FUSE, CARTRIDGE 15A	2	2	2	2	2	2		
25	1	114351-77620	BRACKET	1	1	1	1	1	1		
26	1	114351-77630	SPACER	2	2	2	2	2	2		
27	1	119660-77710	LIMITER, CURRENT 15A	1	1	1	1	1	1		
28	1	26023-040102	SCREW, M4X10	2	2	2	2	2	2		
29	1	26106-060122	BOLT, M6X 12 PLATED	2	2	2	2	2	2		
30	1	26106-060202	BOLT, M6X 20 PLATED	2	2	2	2	2	2		
31	1	26106-060702	BOLT, M6X 70 PLATED	2	2	2	2	2	2		
32	1	26106-060852	BOLT, M6X 85 PLATED							2	2
33	1	26106-100302	BOLT, M10X 30 PLATED	2	2	2	2	2	2		
34	1	114351-78260	DYNAMO ASSY	1	1	1	1	1	1		
35	2	114351-78770	STATOR ASSY, 132.1MM	1	1	1	1	1	1		
36	2	114351-78780	WHEEL, DYNAMO	1	1	1	1	1	1		
37	1	114351-78290	DYNAMO ASSY							1	1
38	2	114351-78830	STATOR ASSY, 132.1MM							1	1
39	2	114351-78840	WHEEL, DYNAMO							1	1
40	1	160710-78710	CLAMP, CORD	1	1	1	1	1	1		
41	1	26476-060142	SCREW, TAPPING M6X14	1	1	1	1	1	1		
42	1	26476-060202	SCREW, TAPPING M6X20	3	3	3	3	3	3		
43	1	26577-060142	SCREW M 6X 14	3	3	3	3	3	3		

Remarks

(1) EXCLUSIVE FOR L50ASESMRC, L75A-SESMRC & L90ASESMRC.

OCD10-M41000

Fig.12. LABEL & TOOL



No.	Lev.	Parts No.	Description	Q'ty						I	R
				(A)	(B)	(C)	(D)	(E)	(F)		
1	1	114250-92600	BAG, TOOL	1	1	1	1	1	1		
2	1	160330-92730	DRIVE, SCREW	1	1	1	1	1	1		
3	1	28110-100120	SPANNER, 10X12	1	1	1	1	1	1		
4	1	28110-140170	SPANNER, 14X17	1	1	1	1	1	1		
5	1	28210-000150	OILER	1	1	1	1	1	1		
6	1	114270-07050	LABEL(L40A)	1							
7	1	114370-07050	LABEL(L60A)				1				
8	1	114670-07050	LABEL, (L90A)						1		
9	1	114470-07050	LABEL(L50A)			1				1	
10	1	114570-07050	LABEL, (L75A)					1			
11	1	114250-07090	LABEL, AIR COOLED	1	1	1	1	1	1		
12	1	114250-07110	LABEL, YANMAR	1	1	1	1	1	1		
13	1	114250-07240	LABEL, CAUTION	1	1	1	1	1	1		
14	1	114250-07250	LABEL, HOW TO START	1	1	1	1	1	1		
15	1	114250-07260	LABEL, OPERATION	1	1	1	1	1	1		
16	1	114250-07270	LABEL, DECOMP.	1	1	1	1	1	1		
17	1	114250-07300	LABEL	1	1	1	1	1	1		
18	1	114250-07350	LABEL, YANMAR DIESEL	1	1	1	1	1	1		

N:Old $\frac{New}{Old}$ New, Q:Old $\frac{New}{Old}$ New, R:Old $\frac{New}{Old}$ New, S:Old $\frac{New}{Old}$ New, W:Add, Z:Discontinued, F:Interchangeable by set, K:Q'ty Change
 Copyright (C) YANMAR CO., LTD. All Rights Reserved.

Parts No. Index

Parts No.	Fig. No.	Ref. No.	Parts No.	Fig. No.	Ref. No.	Parts No.	Fig. No.	Ref. No.	Parts No.	Fig. No.	Ref. No.
101158-11180	2	24	114250-11290	2	34	114250-53120	9	44	114268-66500	7	43
102100-67080	7	46	114250-11310	2	68	114250-53130	9	45	114270-07050	12	6
		76	114250-11340	2	37	114250-53140	9	46	114299-45210	13	6
103338-32570	7	9	114250-11460	2	40	114250-53210	9	47	114350-01200	1	22
103854-01221	5	36	114250-11600	2	42	114250-53300	9	48	114350-01210	1	25
104200-23201	6	56	114250-11651	2	44	114250-53331	9	53	114350-01220	1	29
104211-11370	2	61	114250-11900	2	62	114250-53400	9	54	114350-01250	1	34
		87	114250-11951	2	70	114250-55041	10	7	114350-01340	1	37
105010-11490	2	60	114250-12010	3	1	114250-55050	10	8	114350-01380	1	42
		85	114250-12200	3	4	114250-55060	10	9	114350-01412	1	56
105025-01220	1	27	114250-12210	3	6	114250-55100	10	12	114350-01452	1	60
105225-01240	1	30	114250-12520	3	20	114250-55120	10	20	114350-01700	1	19
105225-66990	7	75	114250-12530	3	21	114250-55130	10	23	114350-02100	1	89
105425-01690	1	67	114250-12550	3	24	114250-55150	10	13	114350-02113	1	77
105546-51020	9	20	114250-12560	3	22	114250-55201	10	16	114350-02200	1	92
105546-51330	9	24	114250-12580	3	23	114250-55211	10	24	114350-02210	1	95
106990-44660	10	37	114250-13200	4	1	114250-55231	10	25	114350-11101	2	16
114250-01200	1	21	114250-14200	5	12	114250-55300	10	28	114350-11113	2	19
114250-01210	1	24	114250-14260	5	14	114250-59050	10	38	114350-11120	2	22
114250-01220	1	28	114250-14450	5	16	114250-59060	10	41	114350-11340	2	38
114250-01250	1	33	114250-21550	5	40			44	114350-11470	2	41
114250-01340	1	36	114250-22302	6	41	114250-59800	10	47	114350-12011	3	2
114250-01380	1	41	114250-23200	6	55	114250-66050	7	41	114350-12201	3	5
114250-01412	1	55	114250-23220	6	57	114250-66200	7	56	114350-14450	5	17
114250-01452	1	58	114250-23250	6	58	114250-66440	7	45	114350-22301	6	42
114250-01800	1	44	114250-32010	7	1			72	114350-45320	8	9
114250-01830	1	49	114250-32070	7	8	114250-66550	7	58		13	9
114250-01840	1	50	114250-35060	7	12	114250-76050	8	18	114350-45340	8	12
114250-02030	1	75	114250-35250	7	13	114250-76051	8	18		13	12
114250-02100	1	88	114250-35270	7	14		13	18	114350-51200	9	5
114250-02113	1	76	114250-45211	8	6	114250-76250	8	19	114350-55120	10	21
114250-02200	1	91	114250-45300	8	7	114250-76251	8	19	114350-55150	10	14
114250-02210	1	94	114250-45301	13	7		13	19	114350-55231	10	26
114250-03591	2	75	114250-45310	8	8	114250-76510	13	20	114350-59800	10	48
114250-03640	2	78		13	8	114250-76590	8	33	114350-76590	8	64
114250-07090	12	11	114250-45330	8	10		13	33	114350-76591	13	61
114250-07110	12	12		13	10	114250-76600	8	65	114351-77010	11	1
114250-07240	12	13	114250-51080	9	21		13	62	114351-77540	11	23
114250-07250	12	14	114250-51150	9	22	114250-76610	8	66	114351-77620	11	25
114250-07260	12	15	114250-51160	9	23		13	63	114351-77630	11	26
114250-07270	12	16	114250-51180	9	13	114250-92600	12	1	114351-78260	11	34
114250-07300	12	17	114250-51190	9	14	114252-12550	3	17	114351-78290	11	37
114250-07350	12	18	114250-51200	9	4	114252-12560	3	13	114351-78770	11	35
114250-11020	2	6	114250-51300	9	15	114252-55800	10	30	114351-78780	11	36
114250-11101	2	15	114250-51340	9	25	114252-66252	7	57	114351-78830	11	38
114250-11113	2	18	114250-51600	9	27	114260-13501	4	3	114351-78840	11	39
114250-11120	2	21	114250-51640	9	28	114260-13510	4	4	114360-13501	4	7
114250-11180	2	25	114250-51650	9	29	114260-13701	4	5	114360-13510	4	8
114250-11240	2	48	114250-53001	9	35			9	114360-59060	10	39
		57	114250-53080	9	43	114268-66200	7	71	114370-07050	12	7

Parts No. Index

Parts No.	Fig. No.	Ref. No.
114385-77400	11	22
114450-01340	1	39
114450-11021	2	11
114470-07050	12	9
114550-01340	1	40
114550-11010	2	2
114570-07050	12	10
114650-01230	1	23
114650-01240	1	26
114650-01250	1	35
114650-01260	1	32
114650-01340	1	38
114650-01380	1	43
114650-01411	1	57
114650-01452	1	62
114650-02100	1	90
114650-02150	1	78
114650-02200	1	93
114650-02210	1	96
114650-11010	2	1
114650-11100	2	17
114650-11121	2	23
114650-11261	2	33
114650-11310	2	69
114650-11340	2	39
114650-11600	2	43
114650-11652	2	45
114650-11951	2	71
114650-12020	3	3
114650-12210	3	7
114650-12300	3	8
114650-12520	3	11
114650-12530	3	12
114650-12540	3	15
114650-12550	3	16
114650-12590	3	14
114650-13200	4	2
114650-14200	5	13
114650-14401	5	15
114650-21551	5	41
114650-22300	6	43
114650-32010	7	2
114650-45200	8	4
114650-45201	13	4
114650-45330	8	11
	13	11
114650-51100	9	6
114650-51300	9	16
114650-53000	9	37
114650-53300	9	49

Parts No.	Fig. No.	Ref. No.
114650-55120	10	22
114650-55150	10	15
114650-55230	10	27
114650-55810	10	31
114650-59800	10	49
114650-59850	10	55
114650-66150	7	70
114650-66500	7	59
114650-76050	8	34
114650-76051	8	34 -1
114650-76052	13	34
114650-76250	8	35
114650-76251	13	35
114650-76520	8	36
	13	36
114650-76531	13	37
114650-76540	8	39
114650-76630	8	46
114650-76631	13	46
114651-21592	5	42
114652-59300	10	42
114652-59310	10	45
114652-66871	7	73
114652-66881	7	74
114654-11110	2	20
114654-66140	7	69
114658-45102	8	1
	13	1
114660-76590	8	50
114660-76592	13	47
114670-07050	12	8
114674-13520	4	12
114674-13560	4	11
114674-13710	4	14
114770-21400	5	38
114770-45100	8	2
	13	2
114770-61600	7	38
114770-61610	7	39
114770-66010	7	53
114771-21590	5	45
114870-11020	2	10
114870-21400	5	39
114870-45100	8	3
	13	3
114870-45200	8	5
114870-45201	13	5
114870-53000	9	36
114870-66010	7	54
114870-76050	8	51

Parts No.	Fig. No.	Ref. No.
114870-76051	13	48
114870-76250	8	52
114870-76251	13	49
114870-76511	13	50
114870-76530	13	38
		52
114870-76540	13	39
		53
114870-76550	13	40
		54
114870-76560	13	41
		55
114870-76570	13	42
		56
114870-76580	13	43
		57
114870-76620	13	45
		59
114870-76630	13	60
114871-21590	5	48
114880-76520	13	51
114970-13710	4	15
114970-66010	7	55
119260-11370	2	59
		86
119620-11180	2	26
119660-77710	11	27
121450-61520	7	37
121750-59890	10	46
122710-01220	5	37
124060-23100	6	66
124550-51350	9	26
124722-59050	10	17
		40
		43
124950-01250	1	31
129792-22400	6	46
135210-61090	7	67
145610-83880	5	54
160110-02220	1	79
160120-76940	8	14
	13	14
160210-02220	1	81
160260-01580	4	16
160260-76520	8	21
	13	21
160260-76530	8	22
	13	22
160260-76540	8	23
	13	23

Parts No.	Fig. No.	Ref. No.
160260-76550	8	24
	13	24
160260-76560	8	25
	13	25
160260-76570	8	26
	13	26
160260-76580	8	27
	13	27
160260-76590	8	28
	13	28
160260-76600	8	29
	13	29
160260-76620	8	31
160260-76630	8	32
		32 -1
	13	32
160310-14550	5	53
160330-92730	12	2
160490-76600	8	31
	13	31
160710-01760	1	71
160710-78710	11	40
160725-78350	7	48
160810-76520	8	54
160810-76530	8	55
160810-76540	8	56
160810-76560	8	57
160810-76580	8	58
160810-76620	8	60
160810-76630	8	61
160910-01740	1	68
160910-76530	8	38
160910-76550	8	40
160910-76560	8	41
160910-76570	8	42
160910-76580	8	43
160910-76620	8	45
160910-76650	8	47
181130-76680	8	62
181130-76700	8	63
183382-13700	4	13
183720-55210	8	13
	13	13
22117-060000	10	32
22117-080000	10	33
22137-080000	7	40
22217-060000	8	48
22252-000190	6	44
22252-000210	6	45
22312-030080	6	59

Parts No. Index

Parts No.	Fig. No.	Ref. No.	Parts No.	Fig. No.	Ref. No.	Parts No.	Fig. No.	Ref. No.	Parts No.	Fig. No.	Ref. No.
22312-030160	2	79	26106-080452	10	34	714250-23610	6	67	714650-22723	6	5
	7	10	26106-100122	1	20	714250-23620	6	73	714650-23600	6	62
22312-080120	1	51	26106-100252	5	58	714250-23703	6	47	714650-23610	6	69
22351-020006	9	30	26106-100302	11	33	714250-51710	9	1	714650-23620	6	75
22351-030008	9	31	26106-100552	2	65	714250-53101	9	32	714650-23700	6	49
22351-040008	2	63	26117-040088	7	50	714250-55701	10	1	714650-51700	9	3
22451-060000	7	68	26216-080182	4	20	714250-61500	7	17	714650-53100	9	34
22512-040120	5	51	26226-060142	3	26	714270-11660	2	50	714650-55701	10	3
22512-050140	5	52	26226-060182	1	52	714270-22580	6	109	714650-61500	7	19
22512-050300	5	55	26226-060222	1	53	714270-22620	6	79	714670-11660	2	52
22512-070360	5	56	26226-060552	3	28	714270-22720	6	1	714671-01560	1	5
23414-120000	10	18	26226-060652	2	66	714271-01560	1	1	714679-14580	5	3
23871-010000	1	87	26226-060752	3	29	714278-21710	5	21	714679-21710	5	23
23887-120002	10	19	26226-080202	4	21	714350-22502	6	13	714770-14580	5	1
24101-062024	5	69	26347-060002	7	51	714350-22542	6	91	714770-14582	5	1 -1
24101-062034	5	70	26366-060002	1	54	714350-22550	6	121	714770-28510	5	59
24101-062050	1	82		2	67	714350-23600	6	61	714770-28511	5	59 -1
24101-062060	1	83		3	27	714350-23610	6	68	714770-28512	5	59 -2
24101-062070	1	84		10	35	714350-23620	6	74	714770-61700	7	30
24162-152112	1	85	26366-080002	4	19	714350-23702	6	48	714870-14580	5	2
24311-000180	1	70	26476-060142	7	11	714350-23704	6	48 -1	714870-28510	5	60
		73			52	714350-51701	9	2	714870-53100	9	33
24341-000150	10	29		8	15	714350-55701	10	2	714970-28510	5	61
24341-000224	7	15		10	36	714350-61500	7	18	714970-61700	7	31
24423-355008	1	80		11	41	714370-11660	2	51	X211412105	11	5
26023-040102	11	28	26476-060202	7	79	714370-22580	6	111	X211416603	11	14
26106-060082	4	6		8	16	714370-22620	6	81	X211427501	11	18
		10		11	42	714370-22720	6	3	X21142835	11	21
	8	68	26476-060252	8	17	714371-01560	1	3	X21143215	11	7
	13	64		13	17	714378-21710	5	22	X211445504	11	13
26106-060122	4	17	26577-060142	11	43	714450-22501	6	12	X21145312	11	6
	7	16	26696-100002	7	66	714450-22541	6	90	X21145352	11	9
		77	26717-060002	8	49	714450-22550	6	120			15
	8	67	26756-060002	2	49	714470-22580	6	110	X211456013	11	17
	11	29			58	714470-22620	6	80	X21145867	11	20
	13	65	26757-060002	7	47	714470-22720	6	2	X211461008	11	2
26106-060202	7	49			80	714471-01560	1	2	X211468005	11	19
	11	30	27310-060001	2	28	714550-22502	6	14	X21147155	11	4
26106-060252	1	65	27310-070001	2	27	714550-22542	6	92	X211473002	11	8
	3	25	28110-100120	12	3	714550-22550	6	122	X211478006	11	16
26106-060302	7	78	28110-140170	12	4	714550-22580	6	112	X21148110	11	3
26106-060552	2	83	28210-000150	12	5	714550-22623	6	82	X21148313	11	11
26106-060702	2	84	29411-150000	11	24	714550-22723	6	4	X211489001	11	10
	11	31	43400-500490	1	74	714571-01560	1	4	X21149314	11	12
26106-060852	11	32	714250-11570	2	29	714650-12560	3	9			
26106-080122	1	86	714250-12560	3	18	714650-22502	6	15			
26106-080162	4	18	714250-22502	6	11	714650-22542	6	93			
26106-080202	5	57	714250-22542	6	89	714650-22550	6	123			
26106-080352	1	66	714250-22550	6	119	714650-22580	6	113			
26106-080452	2	64	714250-23600	6	60	714650-22623	6	83			