

0CD10-M56800EN

# PREFACE

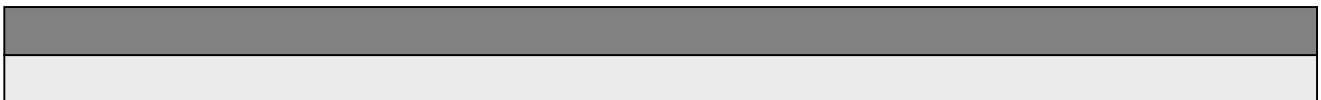
1. This Parts Catalog is the 1st edition of L70,100ADEG5/6ND Diesel Engine for NIPPON DENKI.

Pub. No. : 000Y00D5680

Published : March,1996

2. Model name

Engine model	Vehicle		Vehicle made by
	Products	Model name	
L70,100ADEG5/6ND	GENERATOR	—	NIPPON DENKI



## How to read this Parts Catalog.

1. Parts mentioned in Parts Catalog may not necessarily be standard equipping parts
2. Parts change may be made without prior notice.
3. Form of this Parts Catalog.

REF.	LEV.	PARTS No.	DESCRIPTION	QTY						I	R
				(A)	(B)	(C)	(D)	(E)	(F)		
1		729595-51390	FUEL INJECTION PUMP		1	1	1	1	1		
1-1	1	729595-51391	FUEL INJECTION PUMP	1	1	1	1	1	1		N
		(A=E00185) (B=E00200)									
3	2	26022-060162	SCREW M 6X16	9	9	9	9	9			
1 3-1	2	26022-060162	SCREW M 6X16	4	4	4	4	4			K
		(A=E00156) (B=E00156) (C=E00156) (D=E00156) (E=E00156)									
4	2	129470-51040	CAMSHFT	9	9	9	9	9			
5	2	122710-51050	BEARING. ROLLER	9	9	9	9	9			
6	2	129470-51060	RETAINER	9	9	9	9	9			

Remarks	
(1)	BOOST COMPENSATOR TYPE. OPTIONAL PART. TO E#00155 (4JH-DT, 4JH-DTZ)

### ① Ref. No.

The Ref. No. in the list may not be in accordance with the Ref. No. on illustration.

(Ex.) illustration No. List head No.

1 1 (Before change) → 1-1 (After change)

When interchangeable symbol N, and K, illustrations for the new parts are sometimes omitted.

### ② Lev. (Level)

Indication and Meaning of Level

Level Hereunder is given the relation among the number of number (1,2,3) the level and the nominal parent-child relationship.

1 ---- Parent parts (Assembly parts)

2 ---- Child parts included in " 1 " (Semi-Assembly parts, component parts of Assembly parts.)

3 ---- Child parts included in " 2 ", Grand-child parts in terms of " 1 ".

(Component parts of Semi-Assembly parts.)

Note) A parts of non-sale parts are illustrated but not listed.



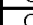
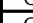
### ③ Change Mark

Change Mark " I " is given to the part for which a design change was made at this time.

The design change was not shown in the last published Parts Catalog.

### ④ Interchangeability Mark

In the case where a part change took place, one of the following interchangeability marks is indicated for that part

Symbol	Interchangeability	Contents note
N	Old ←  New	New Part is interchangeable for Old Part but not interchangeable conversely.
Q	Old ←  New	New Part is not interchangeable for Old Part but interchangeable conversely.
R	Old ←  New	New Part is interchangeable for Old Part and vice versa.
S	Old ←  New	New Part is not interchangeable for Old Part and vice versa.
W		Part newly added.
Z		Part discontinued.
F		Not interchangeable single part but interchangeable by set of the related parts.
K		Changed only in quantity used.

### ⑤ Effective Machine No.

When a part is changed, Effective Machine No. of a Model for which the part is applicable is indication

In each column of (A)-(F).

Product Symbol	Product No.	Product Symbol	Product No.
C	Clutch No, Compressor No,	M	Machine No,
D	Drive No,	T	Tractor No,
E	Engine No,	Note 1)※	Date

Note 1) Date may follow the symbol in some cases. (Ex.) ※1996.01

Note 2) As far as engine models shown by " XXX " are concerned, the modification of the parts could not be Predicted or the engine models themselves could not be identified.

Note 3) (A=E/#00185) means that the design change on the part has been effective for the model at the, column (A) (in the case, for 4JH-DT) on and from E/#(Engine Serial Number) 00185

### ⑥ Remarks Mark

Figures or alphabets (Symbols) are entered in the remark column.

The comments (remarks) on the pertinent parts are indicated in the lower part of the list by the same symbols a those stated above.

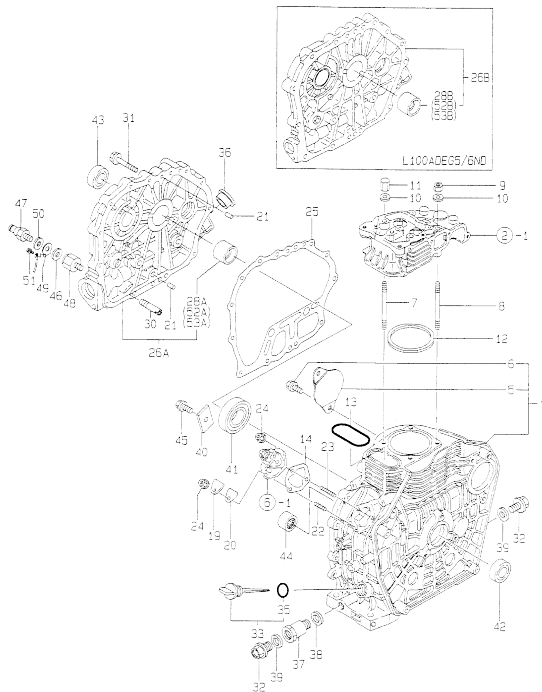
## Contents

Fig. No.	Fig. Name	Fig. No.	Fig. Name
L70,100A	DEG5/6ND		
1.	CYLINDER BLOCK		
2.	CYLINDER HEAD & BONNET		
3.	AIR CLEANER & MUFFLER		
4.	CRANKSHAFT,PISTON & CAMSHAFT		
5.	LUB.OIL PUMP & GOVERNOR		
6.	FUEL INJECTION PUMP		
7.	FUEL LINE		
8.	COOLING & STARTING DEVICE		
9.	STARTING MOTOR		
10.	LABEL & GASKET SET(OPTIONAL		
11.	SET PARTS		

OCD10-M56800

Fig.1. CYLINDER BLOCK

YCOMHEAT  
L70,100ADEG5/6N



Remarks

- (1) REPAIR PART.
- (2) UNDER-SIZE(U.S=0.25)PART.
- (3) UNDER-SIZE(U.S=0.50)PART.
- (G) THESE PARTS ARE SOLD BY FIG.10,  
REF.NO.4A,B.

No.	Lev.	Parts No.	Description	Q'ty						I	R
				(A)	(B)	(C)	(D)	(E)	(F)		
1A	1	714871-01560	BLOCK ASSY, CYLINDER	1							
1B	1	714970-01560	BLOCK ASSY, CYLINDER		1						
5	2	114350-01700	COVER	1	1						
6	2	26106-100122	BOLT, M10X 12 PLATED	2	2						
7A	1	114350-01200	BOLT, HEAD	2							
7B	1	114650-01230	BOLT, HEAD		2						
8A	1	114350-01210	BOLT, HEAD	2							
8B	1	114650-01240	BOLT, HEAD		2						
9A	1	114350-01220	NUT, CYLINDER HEAD	2							
9B	1	105025-01220	NUT, CYLINDER HEAD		2						
10A	1	105225-01240	WASHER	4							
10B	1	114650-01260	WASHER		4						
11A	1	114350-01250	NUT, CYLINDER HEAD	2							
11B	1	114650-01250	NUT, CYLINDER HEAD		2						
12A	1	114870-01340	GASKET, HEAD	1							G
12B	1	114970-01340	GASKET, HEAD		1						G
13A	1	114350-01380	O-RING	1							G
13B	1	114650-01380	O-RING		1						G
14	1	114250-01800	SHIM SET	1	1						
19	1	114250-01830	COVER	1	1						
20	1	114250-01841	GASKET	1	1						G
21	1	114270-01600	PIN, M8X12	2	2						
22	1	26226-060182	STUD, M6X 18	1	1						
23	1	26226-060222	STUD, M6X 22	2	2						
24	1	26366-060002	NUT, M6	3	3						
25A	1	114350-01412	GASKET, CRANK CASE	1							G
25B	1	114650-01412	GASKET, CRANK CASE		1						G
26A	1	114360-01454	COVER, CRANK CASE	1							
26B	1	114660-01471	COVER, CRANK CASE		1						
28A	2	114350-02100	BEARING, MAIN	1							1
28B	2	114650-02100	BEARING, MAIN		1						1
30	1	114250-35150	PIPE, OIL INLET	1	1						
31	1	26106-080352	BOLT, M8X 35 PLATED	15	16						
32	1	105425-01690	PLUG, 16	2	2						
33	1	160910-01740	CAP ASSY	1	1						
35	2	24311-000180	O-RING, 1AP18.0	1	1						G
36	1	160110-01870	PLUG, RUBBER	1	1						
37	1	183279-08350	NIPPLE, DRAIN	1	1						
38	1	22190-160002	WASHER, SEAL 16	1	1						G
39	1	22190-160002	WASHER, SEAL 16	2	2						G
40A	1	114250-02030	RETAINER, BEARING	1	1						
41A	1	114350-02113	BEARING, B35-135G3C3	1							
41B	1	114650-02150	BEARING, HR6308G3C3		1						
42A	1	160110-02220	SEAL, OIL	1							
42B	1	24423-355008	SEAL, OIL TC355008		1						
43A	1	160110-02220	SEAL, OIL	1							
43B	1	24423-355008	SEAL, OIL TC355008		1						
44	1	24162-152112	BEARING, 152112	1	1						
45	1	26106-080122	BOLT, M8X 12 PLATED	1	1						
46	1	183366-08290	WASHER	1	1						
47	1	183250-39450	SWITCH, 1.0KG	1	1						

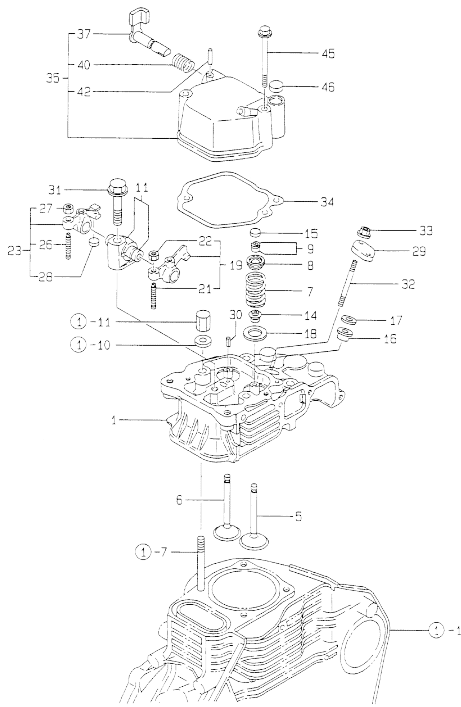
N:Old  $\frac{100}{100}$  New, Q:Old  $\frac{100}{100}$  New, R:Old  $\frac{100}{100}$  New, S:Old  $\frac{100}{100}$  New, W:Add, Z:Discontinued, F:Interchangeable by set, K:Q'ty Change  
 ++ CONTINUE ++  
 Copyright (C) YANMAR CO., LTD. All Rights Reserved.



OCD10-M56800

Fig.2. CYLINDER HEAD & BONNET

Y0302590  
L70, 100ACEG5/6ND



(A)=L70ADEG5/6ND  
(B)=L100ADEG5/6N  
(C)=  
(D)=  
(E)=  
(F)=

No.	Lev.	Parts No.	Description	Q'ty						I	R
				(A)	(B)	(C)	(D)	(E)	(F)		
1A	1	114870-11021	HEAD ASSY, CYLINDER	1							
1B	1	114650-11010	HEAD ASSY, CYLINDER		1						
5A	1	114350-11101	VALVE, INTAKE	1							
5B	1	114650-11100	VALVE, INTAKE		1						
6A	1	114350-11113	VALVE, EXHAUST	1							
6B	1	114654-11110	VALVE, EXHAUST		1						
7A	1	114350-11120	SPRING, VALVE	2							
7B	1	114650-11121	SPRING, VALVE		2						
8A	1	101158-11180	RETAINER, SPRING	2							
8B	1	119620-11180	RETAINER, SPRING		2						
9A	1	27310-060001	COTTER, 6	2							
9B	1	27310-070001	COTTER, 7		2						
11A	1	114250-11290	SUPPORT, ROCKER ARM	1							
11B	1	114650-11261	SUPPORT, ROCKER ARM		1						
14A	1	114350-11340	SEAL, VALVE STEM	2							G
14B	1	114650-11340	SEAL, VALVE STEM		2						G
15A	1	105010-11490	CAP, VALVE	1							
15B	1	104211-11370	CAP, VALVE		1						
16	1	114250-11460	GASKET, NOZZLE	1	1						G
17	1	114350-11470	SPACER, NOZZLE	1	1						
18A	1	114250-11600	WASHER	2							
18B	1	114650-11600	WASHER		2						
19A	1	114250-11651	ARM, ROCKER	1							
19B	1	114650-11652	ARM, ROCKER		1						
21	2	114250-11240	SCREW, VALVE ADJUST	1	1						
22	2	26756-060002	NUT, LOCK M6	1	1						
23A	1	714370-11660	ARM ASSY, ROCKER	1							
23B	1	714670-11660	ARM ASSY, ROCKER		1						
26	2	114250-11240	SCREW, VALVE ADJUST	1	1						
27	2	26756-060002	NUT, LOCK M6	1	1						
28A	2	105010-11490	CAP, VALVE	1							
28B	2	104211-11370	CAP, VALVE		1						
29	1	114250-11900	RETAINER, NOZZLE	1	1						
30	1	22351-040008	PIN, SPRING 4.0X 8	1	1						
31A	1	26106-080452	BOLT, M8X 45 PLATED	1							
31B	1	26106-100552	BOLT, M10X 55 PLATED		1						
32	1	26226-060502	STUD, M6X 50	2	2						
33	1	26366-060002	NUT, M6	2	2						
34A	1	114250-11311	GASKET, BONNET	1							G
34B	1	114650-11311	GASKET, BONNET		1						G
35A	1	114250-11951	BONNET ASSY, HEAD	1							
35B	1	114650-11951	BONNET ASSY, HEAD		1						
37	2	114250-03591	LEVER ASSY	1	1						
40	2	114250-03640	SPRING, DECOMPRESSION	1	1						
42	2	22312-030160	PIN, PARALLEL M3X16	1	1						
45A	1	26106-060552	BOLT, M6X 55 PLATED	2							
45B	1	26106-060702	BOLT, M6X 70 PLATED		2						
46	1	129100-61850	PLUG, 12	1							

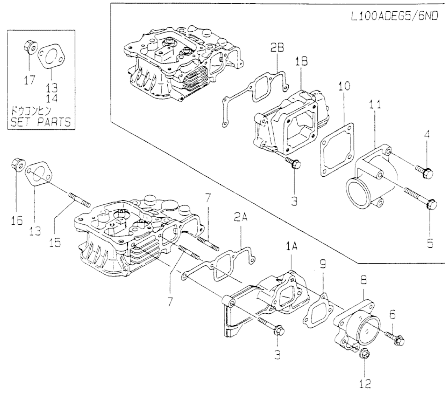
Remarks  
(G) THESE PARTS ARE SOLD BY FIG.10,  
REF.NO.4A,B.

N:Old  $\frac{New}{Old}$  New, Q:Old  $\frac{New}{Old}$  New, R:Old  $\frac{New}{Old}$  New, S:Old  $\frac{New}{Old}$  New, W:Add, Z:Discontinued, F:Interchangeable by set, K:Q'ty Change  
Copyright (C) YANMAR CO., LTD. All Rights Reserved.

OCD10-M56800

Fig.3. AIR CLEANER & MUFFLER

Y0205680  
L72, 1004DEG5/6ND



(A)=L70ADEG5/6ND (D)=  
(B)=L100ADEG5/6N (E)=  
(C)= (F)=

No.	Lev.	Parts No.	Description	Q'ty						I	R
				(A)	(B)	(C)	(D)	(E)	(F)		
1A	1	114350-12011	PIPE, AIR INTAKE	1							
1B	1	114654-12020	PIPE, AIR INTAKE		1						
2A	1	114350-12202	GASKET, AIR INTAKE	1							G
2B	1	114650-12301	GASKET		1						G
3	1	26106-060252	BOLT, M6X 25 PLATED	2	5						
4	1	26106-080252	BOLT, M8X 25 PLATED		2						
5	1	26106-080652	BOLT, M8X 65 PLATED		2						
6	1	26014-060202	BOLT, M6X 20		1						
7	1	26226-060552	STUD, M6X 55		2						
8	1	114252-12050	JOINT, PIPE	1							
9	1	114250-12211	GASKET, AIR CLEANER	1							G
10	1	129150-77511	GASKET		1						G
11	1	171340-77520	BEND		1						
12	1	26366-060002	NUT, M6	2							
13	1	114250-13201	GASKET, MUFFLER	2							G
14	1	183671-13211	GASKET, EXH.PIPE		1						G
15A	1	26216-080182	STUD, M8X 18		2						
15B	1	26226-080202	STUD, M8X 20		2						
16	1	26366-080002	NUT, M8	2	2						
17	1	26366-080002	NUT, M8		2						

Remarks  
(1) REPAIR PART.  
(G) THESE PARTS ARE SOLD BY FIG.10.  
REF.NO.4A,B.

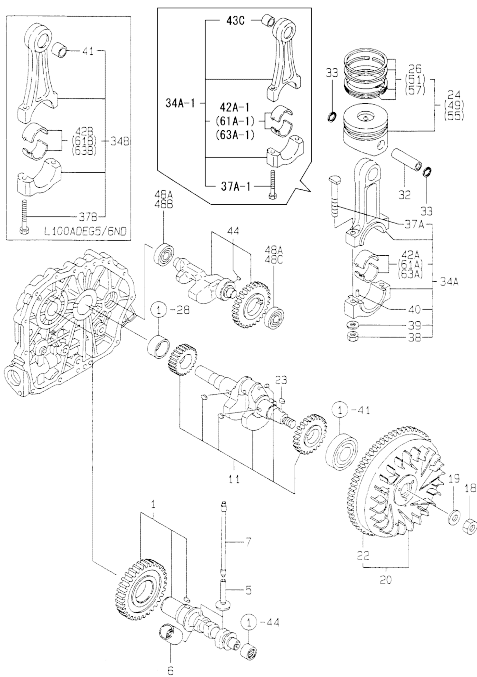
N:Old  $\frac{100}{100}$  New, Q:Old  $\frac{100}{100}$  New, R:Old  $\frac{100}{100}$  New, S:Old  $\frac{100}{100}$  New, W:Add, Z:Discontinued, F:Interchangeable by set, K:Q'ty Change  
Copyright (C) YANMAR CO., LTD. All Rights Reserved.



OCD10-M56800

Fig.4. CRANKSHAFT,PISTON & CAMSHAFT

Y5002660  
L70: 100A0EG5/END



Remarks

- (1) OVER-SIZE (O.S=0.25) PART.
- (2) OVER-SIZE (O.S=0.50) PART.
- (3) UNDER-SIZE (U.S=0.25) PART.
- (4) UNDER-SIZE (U.S=0.50) PART.
- (5) REF.NO. 11A-1, 34A-1 & 44A-1 INTERCHANGEABLE BY SET.

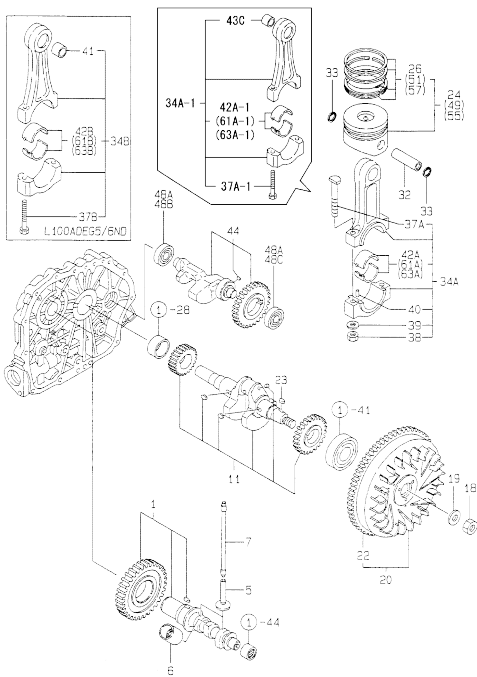
No.	Lev.	Parts No.	Description	Q'ty						I	R
				(A)	(B)	(C)	(D)	(E)	(F)		
1A	1	714880-14580	CAMSHAFT ASSY	1							
1B	1	714689-14580	CAMSHAFT ASSY		1						
5A	1	114250-14200	TAPPET	2							
5B	1	114650-14200	TAPPET		2						
6	1	114250-14260	TAPPET	1	1						
7A	1	114350-14450	ROD ASSY, PUSH	2							
7B	1	114650-14401	ROD ASSY, PUSH		2						
11A	1	714361-21721	CRANKSHAFT ASSY	1							F 5
11A-1	1	714361-21722	CRANKSHAFT ASSY	1							
(A=1998.11.)											
11B	1	783692-21700	CRANKSHAFT ASSY		1						
18A	1	103854-01221	NUT, CYLINDER HEAD	1							
18B	1	122710-01220	NUT, CYLINDER HEAD		1						
19A	1	114250-21550	WASHER	1							
19B	1	114650-21551	WASHER		1						
20A	1	114881-21590	FLYWHEEL ASSY	1							
20B	1	114662-21592	FLYWHEEL ASSY		1						
22A	2	114382-21600	GEAR, RING	1							
22B	2	114662-21601	GEAR, RING		1						
23A	1	22512-040120	KEY, 4X 12	1							
23B	1	22512-050140	KEY, 5X 14		1						
24A	1	714880-22720	PISTON ASSY, D	1							
24B	1	714980-22720	PISTON ASSY, D		1						
26A	2	714880-22500	RING SET, PISTON	1							
26B	2	714970-22500	RING SET, PISTON		1						
32A	1	114350-22301	PIN, PISTON D=21	1							
32B	1	114650-22300	PIN, PISTON D=23		1						
33A	1	22252-000210	RING, 21	2							
33B	1	129792-22400	CIRCLIP, 23		2						
34A	1	714350-23704	ROD ASSY, CONNECTING	1							
34A-1	1	714380-23700	ROD ASSY, CONNECTING	1							F 5
(A=1998.11.)											
34B	1	714650-23700	ROD ASSY, CONNECTING		1						
37A	2	114250-23200	BOLT, CONNECTING ROD	2							
37A-1	2	118200-23200	BOLT, CONNECTING ROD	2							S
(A=1998.11.)											
37B	2	104200-23201	BOLT, CONNECTING ROD		2						
38	2	114250-23220	NUT	2							Z
(A=1998.11.)											
39	2	114250-23250	WASHER		2						Z
(A=1998.11.)											
40	2	22312-030080	PIN, PARALLEL M3X 8		2						Z
(A=1998.11.)											
41	2	124060-23100	BEARING, PISTON PIN		1						
42A	2	714350-23600	BEARING, CRANK PIN	1							
42A-1	2	714380-23600	BEARING, CRANK PIN		1						S
(A=1998.11.)											
42B	2	714650-23600	BEARING, CRANK PIN		1						
43C	2	114380-23100	BEARING, PISTON PIN	1							W
(A=1998.11.)											
44A	1	714350-28520	SHAFT ASSY, BALANCER	1							

N:Old  $\frac{100}{100}$  New, Q:Old  $\frac{100}{100}$  New, R:Old  $\frac{100}{100}$  New, S:Old  $\frac{100}{100}$  New, W:Add, Z:Discontinued, F:Interchangeable by set, K:Q'ty Change  
 ++ CONTINUE ++  
 Copyright (C) YANMAR CO., LTD. All Rights Reserved.

OCD10-M56800

Fig.4. CRANKSHAFT,PISTON & CAMSHAFT

Y5002660  
L70: 100A0EG5/END



No.	Lev.	Parts No.	Description	Q'ty						I	R
				(A)	(B)	(C)	(D)	(E)	(F)		
44A-1	1	714870-28510 (A=1998.11.)	SHAFT ASSY, BALANCER	1						F	5
44B	1	714970-28510	SHAFT ASSY, BALANCER		1						
48A	1	24101-062024	BEARING, BALL 6202		2						
48B	1	24101-062034	BEARING, BALL 6203		1						
48C	1	24101-063034	BEARING, BALL 6303		1						
49A	1	714880-22620	PISTON ASSY, 0.25 OS	1							1
49B	1	714980-22620	PISTON ASSY, 0.25 OS		1						1
51A	2	714880-22540	RING SET, 0.25 OS	1							1
51B	2	714970-22540	RING SET, 0.25 OS		1						1
55A	1	714880-22580	PISTON ASSY, 0.50 OS	1							2
55B	1	714980-22580	PISTON ASSY, 0.50 OS		1						2
57A	2	714870-22550	RING SET, 0.50 OS	1							2
57B	2	714970-22550	RING SET, 0.50 OS		1						2
61A	1	714350-23610	BEARING ASSY, 0.25	1							3
61A-1	1	714380-23610 (A=1998.11.)	METAL ASSY, 0.25	1							S 3
61B	1	714650-23610	BEARING ASSY, 0.25		1						3
63A	1	714350-23620	BEARING, 0.50 US	1							4
63A-1	1	714380-23620 (A=1998.11.)	BEARING, 0.50 US	1							S 4
63B	1	714650-23620	BEARING, 0.50 US		1						4

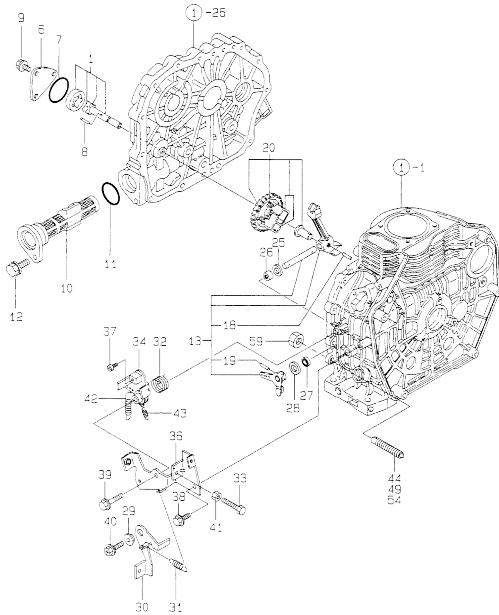
Remarks  
 (1) OVER-SIZE (O.S=0.25) PART.  
 (2) OVER-SIZE (O.S=0.50) PART.  
 (3) UNDER-SIZE (U.S=0.25) PART.  
 (4) UNDER-SIZE (U.S=0.50) PART.  
 (5) REF.NO. 11A-1, 34A-1 & 44A-1  
 INTERCHANGEABLE BY SET.

N:Old  $\frac{100}{100}$  New, Q:Old  $\frac{100}{100}$  New, R:Old  $\frac{100}{100}$  New, S:Old  $\frac{100}{100}$  New, W:Add, Z:Discontinued, F:Interchangeable by set, K:Q'ty Change  
 Copyright (C) YANMAR CO., LTD. All Rights Reserved.

OCD10-M56800

Fig.5. LUB.OIL PUMP & GOVERNOR

Y3/C36680  
L70: 1004DEG5/END



No.	Lev.	Parts No.	Description	Q'ty						I	R
				(A)	(B)	(C)	(D)	(E)	(F)		
1A	1	114250-32010	PUMP ASSY, OIL	1							
1B	1	114650-32010	PUMP ASSY, OIL		1						
6	1	114250-32070	COVER	1	1						
7	1	103338-32570	O-RING	1	1						G
8	1	22312-030160	PIN, PARALLEL M3X16	1	1						
9	1	26476-060142	SCREW, TAPPING M6X14	3	3						
10	1	114250-35070	FILTER, OIL	1	1						1
11	1	24341-000224	O-RING, 1AS22.4	1	1						
12	1	26106-060162	BOLT, M6X 16 PLATED	1	1						G
13A	1	714350-61500	LEVER ASSY, GOVERNOR	1							
13B	1	714650-61500	LEVER ASSY, GOVERNOR		1						
18	3	22322-030200	PIN, TAPER 3X20	1	1						
19	2	22322-030200	PIN, TAPER 3X20	1	1						
20A	1	714770-61700	GOVERNOR ASSY	1							
20B	1	714685-61700	GOVERNOR ASSY		1						
25	1	114770-61190	WASHER	1	1						
26	1	114270-61520	BEARING, NEEDLE 8	2	2						
27	1	114770-61600	SEAL, OIL	1	1						
28	1	114770-61610	WASHER, THRUST	1	1						
29	1	114654-66140	PIECE	1	1						
30	1	183393-66150	LEVER, STOP	1	1						
31	1	114268-66200	SPRING, RETURN	1	1						
32	1	114252-66252	SPRING, RETURN	1	1						
33	1	114250-66440	BOLT, ADJUSTING	1	1						
34	1	114652-66871	LEVER, REGULATOR	1	1						
36	1	183393-66880	BRACKET, LEVER	1	1						
37	1	105225-66990	SCREW, M5X8.5	1	1						
38	1	26106-060122	BOLT, M6X 12 PLATED	1	1						
39	1	26106-060302	BOLT, M6X 30 PLATED	1	1						
40	1	26476-060202	SCREW, TAPPING M6X20	1	1						
41	1	26757-060002	NUT, LOCK M6	1	1						
42A	1	114870-66010	SPRING, REGULATOR	1							
42B	1	114970-66010	SPRING, REGULATOR		1						
43	1	114250-66200	SPRING, RETURN	1	1						
44	1	114650-66500	LIMITER ASSY, FUEL		1						2
49	1	114250-66550	LIMITER ASSY, FUEL	1							
54	1	114650-66600	LIMITER ASSY, FUEL		1						3
59	1	26696-100002	NUT, LOCK M10	1	1						

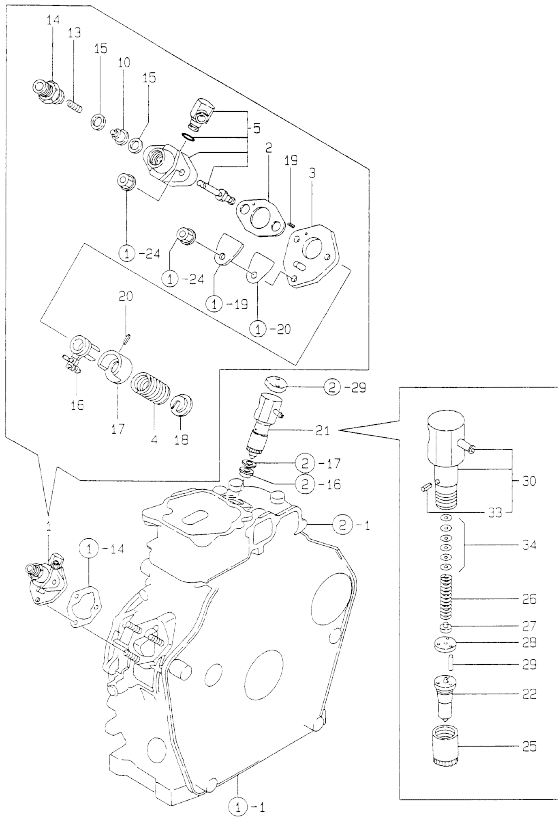
Remarks

- (1) REF.NO.10 & 11 ORDER BY SET.
- (2) 60HZ TYPE.
- (3) 50HZ TYPE.
- (G) THESE PARTS ARE SOLD BY FIG.10, REF.NO.4A,B.

OCD10-M56800

Fig.6. FUEL INJECTION PUMP

Y03D5680  
L70, 100ADEG5/6N



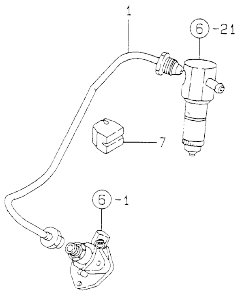
No.	Lev.	Parts No.	Description	Q'ty					
				(A)	(B)	(C)	(D)	(E)	(F)
1A	1	783350-51701	PUMP ASSY, INJECTION	1					
1B	1	783986-51100	PUMP ASSY, INJECTION		1				
2	2	105546-51020	GASKET	1	1				
3	2	114250-51080	PLATE	1	1				
4	2	114250-51160	SPRING, PLUNGER	1	1				
5A	2	183350-51200	BODY ASSY, PUMP	1					
5B	2	183986-51100	BODY ASSY, PUMP			1			
10A	2	114250-51300	VALVE ASSY, DELIVERY	1					
10B	2	114650-51300	VALVE ASSY, DELIVERY			1			
13	2	105546-51330	SPRING, DELIVERY	1	1				
14	2	114250-51340	HOLDER, DELIVERY	1	1				
15	2	124550-51350	GASKET, DELIVERY	2	2				
16	2	114250-51600	LEVER ASSY, CONTROL	1	1				
17	2	114250-51640	SEAT, SPRING A	1	1				
18	2	114250-51650	SEAT, SPRING B	1	1				
19	2	22351-020006	PIN, SPRING 2.0X 6	2	2				
20	2	22351-030008	PIN, SPRING 3.0X 8	1	1				
21A	1	714870-53100	VALVE ASSY, INJECTION	1					
21B	1	714650-53100	VALVE ASSY, INJECTION			1			
22A	2	114870-53000	VALVE ASSY, INJECTION	1					
22B	2	114650-53000	VALVE ASSY, INJECTION			1			
25	2	114250-53080	NUT, NOZZLE D16.95	1	1				
26	2	114250-53120	SPRING, NOZZLE	1	1				
27	2	114250-53130	SEAT, SPRING	1	1				
28	2	114250-53140	PLATE	1	1				
29	2	114250-53210	PIN	2	2				
30A	2	114250-53300	HOLDER ASSY, NOZZLE	1					
30B	2	114650-53300	HOLDER ASSY, NOZZLE			1			
33	3	114250-53331	PIN	1	1				
34	2	114250-53400	SHIM SET	1	1				

N:Old  $\frac{100}{100}$  New, Q:Old  $\frac{100}{100}$  New, R:Old  $\frac{100}{100}$  New, S:Old  $\frac{100}{100}$  New, W:Add, Z:Discontinued, F:Interchangeable by set, K:Qty Change  
Copyright (C) YANMAR CO., LTD. All Rights Reserved.

OCD10-M56800

Fig.7. FUEL LINE

Y03056680  
L70, 100ADEG5/ENG

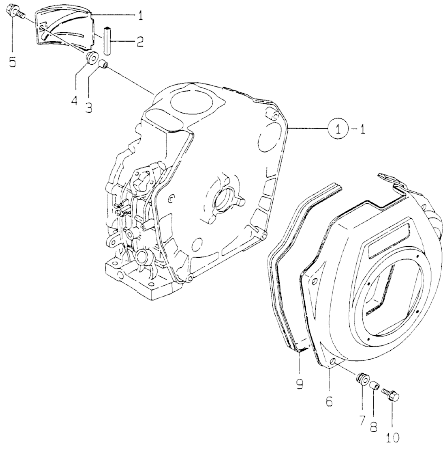


No.	Lev.	Parts No.	Description	Q'ty					
				(A)	(B)	(C)	(D)	(E)	(F)
1A	1	114350-59800	PIPE ASSY, INJECTION	1					
1B	1	114650-59800	PIPE ASSY, INJECTION		1				
7	1	114650-59850	SUPPORT			1			

OCD10-M56800

Fig.8. COOLING & STARTING DEVICE

Y02D5580  
L70, 100ADEG5/6ND



(A)=L70ADEG5/6ND  
(B)=L100ADEG5/6N  
(C)=  
(D)=  
(E)=  
(F)=

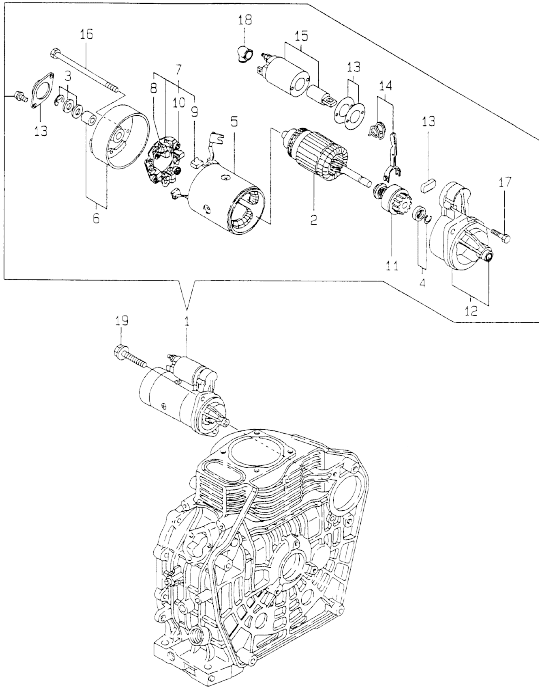
No.	Lev.	Parts No.	Description	Q'ty						I	R
				(A)	(B)	(C)	(D)	(E)	(F)		
1A	1	114870-45201	COVER	1							
1B	1	114650-45201	COVER		1						
2	1	114350-45320	RUBBER, SEAL	1	1						
3	1	114350-45340	COLLAR	1	1						
4	1	183720-55210	GROMMET	1	1						
5	1	26476-060202	SCREW, TAPPING M6X20	1	1						
6A	1	114360-45101	CASE, COOLING FAN	1							
6B	1	114668-45102	CASE, COOLING FAN		1						
7	1	114250-45300	ABSORBER	4	4						
8	1	114250-45310	COLLAR	4	4						
9A	1	114250-45330	SEAL, FAN CASE L=875	1							
9B	1	114650-45330	SEAL, FAN CASE L=950		1						
10	1	114370-45350	BOLT	4	4						

N:Old  $\frac{100}{100}$  New, Q:Old  $\frac{100}{100}$  New, R:Old  $\frac{100}{100}$  New, S:Old  $\frac{100}{100}$  New, W:Add, Z:Discontinued, F:Interchangeable by set, K:Q'ty Change  
Copyright (C) YANMAR CO., LTD. All Rights Reserved.

OCD10-M56800

Fig.9. STARTING MOTOR

Y00D5680  
L70, 100ADEG5/6N



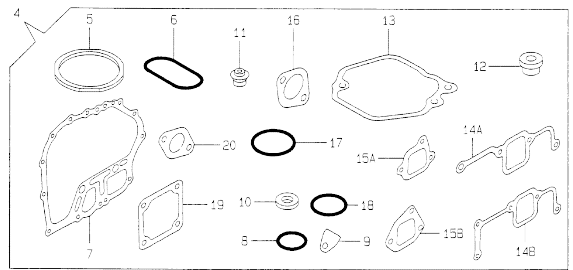
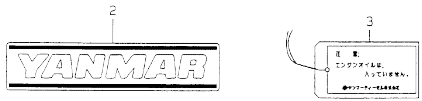
No.	Lev.	Parts No.	Description	Q'ty					
				(A)	(B)	(C)	(D)	(E)	(F)
1	1	114362-77011	STARTER (S114-414A)	1	1				
2	2	114381-77110	ARMATURE	1	1				
3	2	X2114811000	WASHER KIT, THRUST	1	1				
4	2	X2114715500	STOPPER SET, PINION	1	1				
5	2	114381-77130	COIL ASSY, FIELD	1	1				
6	2	114381-77140	COVER, REAR	1	1				
7	2	114371-77160	HOLDER ASSY, BRUSH	1	1				
8	3	114371-79040	BRUSH (-)	2	2				
9	3	114371-79050	BRUSH (+)	1	1				
10	3	114371-79060	SPRING, BRUSH	4	4				
11	2	X2114455080	PINION ASSY	1	1				
12	2	114381-77150	HOUSING ASSY, GEAR	1	1				
13	2	114371-77170	COVER KIT, DUST	1	1				
14	2	X2114560130	LEVER KIT, SHIFT	1	1				
15	2	X2114275010	SWITCH ASSY, MAGNET	1	1				
16	2	X2114680050	BOLT, THROUGH	2	2				
17	2	114371-79070	BOLT M 6X 37	2	2				
18	2	X2114274200	COVER, TERMINAL	1	1				
19	1	26106-100302	BOLT, M10X 30 PLATED	2	2				

N:Old  $\frac{100}{100}$  New, Q:Old  $\frac{100}{100}$  New, R:Old  $\frac{100}{100}$  New, S:Old  $\frac{100}{100}$  New, W:Add, Z:Discontinued, F:Interchangeable by set, K:Q'ty Change  
Copyright (C) YANMAR CO., LTD. All Rights Reserved.

OCD10-M56800

Fig.10. LABEL & GASKET SET(OPTIONAL)

Y0005680  
L70, 100ADEG5/END



No.	Lev.	Parts No.	Description	Q'ty						I	R
				(A)	(B)	(C)	(D)	(E)	(F)		
2	1	114250-07111	LABEL, YANMAR	1	1						
3	1	114250-07500	TAG	1	1						
4A	1	714881-92600	GASKET SET	1							1
4B	1	714988-92601	GASKET SET		1						1
5A	2	114870-01340	GASKET, HEAD	1							
5B	2	114970-01340	GASKET, HEAD		1						
6A	2	114350-01380	O-RING	1							
6B	2	114650-01380	O-RING		1						
7A	2	114350-01412	GASKET, CRANK CASE	1							
7B	2	114650-01412	GASKET, CRANK CASE		1						
8	2	24311-000180	O-RING, 1AP18.0	1	1						
9	2	114250-01841	GASKET	1	1						
10	2	22190-160002	WASHER, SEAL 16	2	2						
11A	2	114350-11340	SEAL, VALVE STEM	2							
11B	2	114650-11340	SEAL, VALVE STEM		2						
12	2	114250-11460	GASKET, NOZZLE	1	1						
13A	2	114250-11311	GASKET, BONNET	1							
13B	2	114650-11311	GASKET, BONNET		1						
14A	2	114350-12202	GASKET, AIR INTAKE	1							
14B	2	114650-12301	GASKET		1						
15A	2	114250-12211	GASKET, AIR CLEANER	1							
15B	2	114650-12211	GASKET, AIR CLEANER		1						
16	2	114250-13201	GASKET, MUFFLER	2							
17	2	103338-32570	O-RING	1	1						
18	2	24341-000224	O-RING, 1AS22.4	1	1						
19	2	129150-77511	GASKET	1							
20	2	183671-13211	GASKET, EXH.PIPE	1							

Remarks  
(1) OPTIONAL PART.

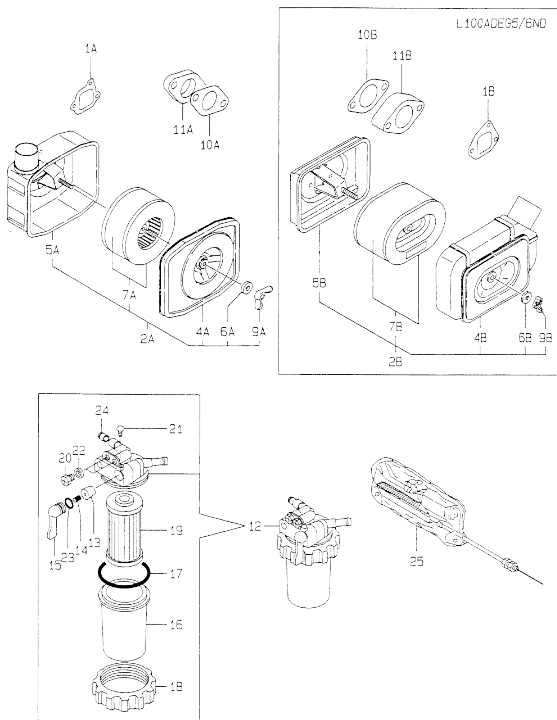
N:Old  $\frac{New}{Old}$  New, Q:Old  $\frac{New}{Old}$  New, R:Old  $\frac{New}{Old}$  New, S:Old  $\frac{New}{Old}$  New, W:Add, Z:Discontinued, F:Interchangeable by set, K:Q'ty Change  
Copyright (C) YANMAR CO., LTD. All Rights Reserved.



OCD10-M56800

Fig.11. SET PARTS

Y0005680  
L70, 100ADEG5/6ND



(A)=L70ADEG5/6ND  
(B)=L100ADEG5/6N  
(C)=  
(D)=  
(E)=  
(F)=

No.	Lev.	Parts No.	Description	Q'ty						I	R
				(A)	(B)	(C)	(D)	(E)	(F)		
1A	1	114250-12211	GASKET, AIR CLEANER	1							G
1B	1	114650-12211	GASKET, AIR CLEANER		1						G
2A	1	783366-12560	CLEANER ASSY, AIR	1							
2B	1	783671-12560	CLEANER ASSY, AIR		1						
4A	3	114250-12520	COVER, AIR CLEANER	1							
4B	3	183671-12520	COVER ASSY, CLEANER		1						
5A	3	183366-12530	CASE ASSY	1							
5B	3	114650-12530	CASE ASSY, CLEANER		1						
6A	3	114250-12560	WASHER, SEAL M6	1							
6B	3	114252-12560	WASHER, SEAL M8		1						
7A	3	114250-12580	ELEMENT	1							
7B	3	114650-12590	ELEMENT ASSY		1						
9A	2	114250-12550	NUT, WING M6	1							
9B	2	114252-12550	NUT, WING M8		1						
10A	1	114250-13201	GASKET, MUFFLER	1							G
10B	1	183671-13211	GASKET, EXH.PIPE		1						G
11A	1	114252-13900	FLANGE	1							
11B	1	114673-13900	FLANGE		1						
12	1	114250-55500	FILTER ASSY, FUEL	1	1						
13	2	104200-55321	VALVE, TAPER	1	1						
14	2	104200-55330	SPRING, VALVE	1	1						
15	2	104200-55341	HANDLE	1	1						
16	2	104500-55510	CUP	1	1						
17	2	102103-55520	O-RING	1	1						
18	2	110250-55610	RING, RETAINING	1	1						
19	2	114250-55510	ELEMENT	1	1						
20	2	101720-55750	PLUG, 6	2	2						
21	2	104200-55750	SCREW, M4	1	1						
22	2	23418-060000	GASKET, 6X1.0	2	2						
23	2	24311-240100	O-RING, 1AP10A	1	1						
24	2	104200-55730	JOINT, PIPE	1	1						
25	1	114654-77910	STOPPER ASSY	1	1						

Remarks  
(G) THESE PARTS ARE SOLD BY FIG.10,  
REF.NO.4A,B.

N:Old  $\frac{New}{Old}$  New, Q:Old  $\frac{New}{Old}$  New, R:Old  $\frac{New}{Old}$  New, S:Old  $\frac{New}{Old}$  New, W:Add, Z:Discontinued, F:Interchangeable by set, K:Q'ty Change  
Copyright (C) YANMAR CO., LTD. All Rights Reserved.

## Parts No. Index

Parts No.	Fig. No.	Ref. No.	Parts No.	Fig. No.	Ref. No.	Parts No.	Fig. No.	Ref. No.	Parts No.	Fig. No.	Ref. No.
101158-11180	2	8 A	114250-12580	11	7 A	114350-01380	10	6 A	114650-11010	2	1 B
101720-55750	11	20	114250-13201	3	13	114350-01412	1	25 A	114650-11100	2	5 B
102103-55520	11	17		10	16		10	7 A	114650-11121	2	7 B
103338-32570	5	7		11	10 A	114350-01700	1	5	114650-11261	2	11 B
	10	17	114250-14200	4	5 A	114350-02100	1	28 A	114650-11311	2	34 B
103854-01221	4	18 A	114250-14260	4	6	114350-02113	1	41 A		10	13 B
104200-23201	4	37 B	114250-21550	4	19 A	114350-02200	1	52 A	114650-11340	2	14 B
104200-55321	11	13	114250-23200	4	37 A	114350-02210	1	53 A		10	11 B
104200-55330	11	14	114250-23220	4	38	114350-11101	2	5 A	114650-11600	2	18 B
104200-55341	11	15	114250-23250	4	39	114350-11113	2	6 A	114650-11652	2	19 B
104200-55730	11	24	114250-32010	5	1 A	114350-11120	2	7 A	114650-11951	2	35 B
104200-55750	11	21	114250-32070	5	6	114350-11340	2	14 A	114650-12211	10	15 B
104211-11370	2	15 B	114250-35070	5	10		10	11 A		11	1 B
		28 B	114250-35150	1	30	114350-11470	2	17	114650-12301	3	2 B
104500-55510	11	16	114250-45300	8	7	114350-12011	3	1 A		10	14 B
105010-11490	2	15 A	114250-45310	8	8	114350-12202	3	2 A	114650-12530	11	5 B
		28 A	114250-45330	8	9 A		10	14 A	114650-12590	11	7 B
105025-01220	1	9 B	114250-51080	6	3	114350-14450	4	7 A	114650-14200	4	5 B
105225-01240	1	10 A	114250-51160	6	4	114350-22301	4	32 A	114650-14401	4	7 B
105225-66990	5	37	114250-51300	6	10 A	114350-45320	8	2	114650-21551	4	19 B
105425-01690	1	32	114250-51340	6	14	114350-45340	8	3	114650-22300	4	32 B
105546-51020	6	2	114250-51600	6	16	114350-59800	7	1 A	114650-32010	5	1 B
105546-51330	6	13	114250-51640	6	17	114360-01454	1	26 A	114650-45201	8	1 B
110250-55610	11	18	114250-51650	6	18	114360-45101	8	6 A	114650-45330	8	9 B
114250-01800	1	14	114250-53080	6	25	114362-21600	4	22 A	114650-51300	6	10 B
114250-01830	1	19	114250-53120	6	26	114362-77011	9	1	114650-53000	6	22 B
114250-01841	1	20	114250-53130	6	27	114370-45350	8	10	114650-53300	6	30 B
	10	9	114250-53140	6	28	114371-77160	9	7	114650-59800	7	1 B
114250-02030	1	40	114250-53210	6	29	114371-77170	9	13	114650-59850	7	7
114250-03591	2	37	114250-53300	6	30 A	114371-79040	9	8	114650-66500	5	44
114250-03640	2	40	114250-53331	6	33	114371-79050	9	9	114650-66600	5	54
114250-07111	10	2	114250-53400	6	34	114371-79060	9	10	114652-66871	5	34
114250-07500	10	3	114250-55500	11	12	114371-79070	9	17	114654-11110	2	6 B
114250-11240	2	21	114250-55510	11	19	114380-23100	4	43 C	114654-12020	3	1 B
		26	114250-66200	5	43	114381-77110	9	2	114654-66140	5	29
114250-11290	2	11 A	114250-66440	5	33	114381-77130	9	5	114654-77910	11	25
114250-11311	2	34 A	114250-66550	5	49	114381-77140	9	6	114660-01471	1	26 B
	10	13 A	114252-12050	3	8	114381-77150	9	12	114662-21592	4	20 B
114250-11460	2	16	114252-12550	11	9 B	114650-01230	1	7 B	114662-21601	4	22 B
	10	12	114252-12560	11	6 B	114650-01240	1	8 B	114668-45102	8	6 B
114250-11600	2	18 A	114252-13900	11	11 A	114650-01250	1	11 B	114673-13900	11	11 B
114250-11651	2	19 A	114252-66252	5	32	114650-01260	1	10 B	114770-61190	5	25
114250-11900	2	29	114268-66200	5	31	114650-01380	1	13 B	114770-61600	5	27
114250-11951	2	35 A	114270-01600	1	21		10	6 B	114770-61610	5	28
114250-12211	3	9	114270-61520	5	26	114650-01412	1	25 B	114870-01340	1	12 A
	10	15 A	114350-01200	1	7 A		10	7 B		10	5 A
	11	1 A	114350-01210	1	8 A	114650-02100	1	28 B	114870-11021	2	1 A
114250-12520	11	4 A	114350-01220	1	9 A	114650-02150	1	41 B	114870-45201	8	1 A
114250-12550	11	9 A	114350-01250	1	11 A	114650-02200	1	52 B	114870-53000	6	22 A
114250-12560	11	6 A	114350-01380	1	13 A	114650-02210	1	53 B	114870-66010	5	42 A

## Parts No. Index

Parts No.	Fig. No.	Ref. No.
114881-21590	4	20 A
114970-01340	1	12 B
	10	5 B
114970-66010	5	42 B
118200-23200	4	37 A-1
119620-11180	2	8 B
122710-01220	4	18 B
124060-23100	4	41
124550-51350	6	15
129100-61850	2	46
129150-77511	3	10
	10	19
129792-22400	4	33 B
160110-01870	1	36
160110-02220	1	42 A
		43 A
160910-01740	1	33
171022-39470	1	49
171340-77520	3	11
183250-39450	1	47
183279-08350	1	37
183350-51200	6	5 A
183366-08290	1	46
183366-12530	11	5 A
183366-39460	1	48
183393-66150	5	30
183393-66880	5	36
183671-12520	11	4 B
183671-13211	3	14
	10	20
	11	10 B
183720-55210	8	4
183986-51100	6	5 B
22117-100000	1	50
22190-160002	1	38
		39
	10	10
22252-000210	4	33 A
22312-030080	4	40
22312-030160	2	42
	5	8
22322-030200	5	18
		19
22351-020006	6	19
22351-030008	6	20
22351-040008	2	30
22512-040120	4	23 A
22512-050140	4	23 B
23418-060000	11	22
24101-062024	4	48 A

Parts No.	Fig. No.	Ref. No.
24101-062034	4	48 B
24101-063034	4	48 C
24162-152112	1	44
24311-000180	1	35
	10	8
24311-240100	11	23
24341-000224	5	11
	10	18
24423-355008	1	42 B
		43 B
26014-060202	3	6
26106-060122	5	38
26106-060162	5	12
26106-060252	3	3
26106-060302	5	39
26106-060552	2	45 A
26106-060702	2	45 B
26106-080122	1	45
26106-080252	3	4
26106-080352	1	31
26106-080452	2	31 A
26106-080652	3	5
26106-100122	1	6
26106-100302	9	19
26106-100552	2	31 B
26216-080182	3	15 A
26226-060182	1	22
26226-060222	1	23
26226-060502	2	32
26226-060552	3	7
26226-080202	3	15 B
26366-060002	1	24
	2	33
	3	12
26366-080002	3	16
		17
26476-060142	5	9
26476-060202	5	40
	8	5
26557-040082	1	51
26696-100002	5	59
26756-060002	2	22
		27
26757-060002	5	41
27310-060001	2	9 A
27310-070001	2	9 B
714350-23600	4	42 A
714350-23610	4	61 A
714350-23620	4	63 A
714350-23704	4	34 A

Parts No.	Fig. No.	Ref. No.
714350-28520	4	44 A
714350-61500	5	13 A
714361-21721	4	11 A
714361-21722	4	11 A-1
714370-11660	2	23 A
714380-23600	4	42 A-1
714380-23610	4	61 A-1
714380-23620	4	63 A-1
714380-23700	4	34 A-1
714650-23600	4	42 B
714650-23610	4	61 B
714650-23620	4	63 B
714650-23700	4	34 B
714650-53100	6	21 B
714650-61500	5	13 B
714670-11660	2	23 B
714685-61700	5	20 B
714689-14580	4	1 B
714770-61700	5	20 A
714870-22550	4	57 A
714870-28510	4	44 A-1
714870-53100	6	21 A
714871-01560	1	1 A
714880-14580	4	1 A
714880-22500	4	26 A
714880-22540	4	51 A
714880-22580	4	55 A
714880-22620	4	49 A
714880-22720	4	24 A
714881-92600	10	4 A
714970-01560	1	1 B
714970-22500	4	26 B
714970-22540	4	51 B
714970-22550	4	57 B
714970-28510	4	44 B
714980-22580	4	55 B
714980-22620	4	49 B
714980-22720	4	24 B
714988-92601	10	4 B
783350-51701	6	1 A
783366-12560	11	2 A
783671-12560	11	2 B
783692-21700	4	11 B
783986-51100	6	1 B
X2114274200	9	18
X2114275010	9	15
X2114455080	9	11
X2114560130	9	14
X2114680050	9	16
X2114715500	9	4

Parts No.	Fig. No.	Ref. No.
X2114811000	9	3