

0CW10-M04100EN

Introduction

1. This parts catalog is a first edition of the L100AE-DEGMORYC, L100AE-DEGM2RYC Diesel engine for SDMO.

	Parts catalog No.	Date of issue	Remarks
First edition	000Y00W0410	Jun. , 2005	

2. This parts catalog does not contain the technical data needed for maintenance service.

3. The illustrations used in this parts catalog have been simplified for clarity.

4. The contents of this parts catalog are subject to change without notice.

5. Be sure to use only Yanmar genuine parts for repairs. If imitation parts are used, it may cause engine defects.

Directions for the Parts Catalog.

- The parts stipulated in this Parts Catalog are not necessarily standard equipped parts.
- Parts may change without prior notice.
- The following is an example of the Parts Catalog format.

REF.	LEV.	PARTS NO.	DESCRIPTION	Q'TY						I	R
				(A)	(B)	(C)	(D)	(E)	(F)		
1	1	729595-51390	FUEL INJECTION PUMP	1	1	1	1	1			1
1-1	1	729595-51391	FUEL INJECTION PUMP	1	1	1	1	1		N	1
		(A=E00185) (B=E00200)									
3	2	26022-060162	SCREW M 6X 16	9	9	9	9	9			
3-1	2	26022-060162	SCREW M 6X 16	4	4	4	4	4		K	
		(A=E00156) (B=E00156) (C=E00156) (D=E00156) (E=E00156)									
4	2	129470-51040	CAMSHAFT	1	1	1	1	1			
5	2	122710-51050	BEARING, ROLLER	2	2	2	2	2			
6	2	129470-51060	RETAINER	1	1	1	1	1			

Remarks
(1) BOOST COMPEMSATOR TYPE. OPTIONAL PART, TO E00155,(4JH-DT, 4JH-DTZ

① Ref. No.

The Ref. No. listed may not be in accordance with the illustration Ref. No.

(Ex.) Illustration No.

List Ref No.

1 1 (Before change) → 1-1 (After change)

For interchangeable symbols N, R and K, illustrations for new parts may be abbreviated.

② Lev. (Level)

Level indication

The numbers below indicate the level of relativity towards the main part.

1 ---- Main parts (Assembly parts)

2 ---- Sub component included in " 1 ".

3 ---- Sub component included in " 2 ".

Note) Parts that are not for sale are partially illustrated but not listed.

③ Interchangeability Mark

When a part change takes place, one of the following interchangeability symbols is indicated beside the part.

Symbol	Interchangeability	Contents note
N	Old $\begin{matrix} \leftarrow \text{Yes} \\ \text{No} \rightarrow \end{matrix}$ New	New Part is interchangeable for Old Part but Old Part is not interchangeable for New Part.
Q	Old $\begin{matrix} \leftarrow \text{No} \\ \text{Yes} \rightarrow \end{matrix}$ New	New Part is not interchangeable for Old Part but Old Part is interchangeable for New Part.
R	Old $\begin{matrix} \leftarrow \text{Yes} \\ \text{Yes} \rightarrow \end{matrix}$ New	New/ Old Parts are both interchangeable.
S	Old $\begin{matrix} \leftarrow \text{No} \\ \text{No} \rightarrow \end{matrix}$ New	New/ Old Parts are both not interchangeable.
W		Part newly added.
Z		Part discontinued.
F		Not interchangeable by a single part but interchangeable together with related parts.
K		Changes only for used parts quantities.

④ Effective Machine No.

When a part changes, the effective Machine No. will be indicated in the (A)-(F) column.

Product Symbol	Product No.	Product Symbol	Product No.
C	Clutch No. Compressor No.	F	Machine No. (Agricultural Equip.)
D	Drive No.	M	Machine No.
E	Engine No.		

Note 1) A date may follow the symbol. (Ex.) 1996.01

Note 2) "XXXXX" and "ZZZZZ" are for parts that could not be predicted or for engine models that could not be identified.

Note 3) (A=E00185) is the E (Engine Serial Number) for the column (A) model (in this case 4JH-DT) after the parts design change.

⑤ Remarks Mark

Figures or alphabets (symbols) are entered in the remarks column.

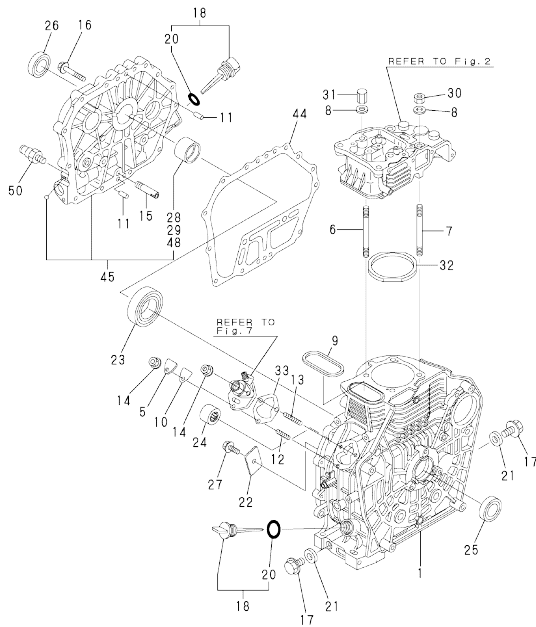
The comments (remarks) on parts that are indicated at the bottom of the illustration are the same symbols as those stated above.

Contents

Fig. No.	Fig. Name	Fig. No.	Fig. Name
	ENGINE L100AE-DEGM(O/2)RYC		
1.	CYLINDER BLOCK		
2.	CYLINDER HEAD & BONNET		
3.	AIR CLEANER & MUFFLER		
4.	CRANKSHAFT,PISTON & CAMSHAFT		
5.	LUB.OIL PUMP & GOVERNOR		
6.	COOLING & STARTING DEVICE		
7.	FUEL INJECTION PUMP		
8.	FUEL INJECTION VALVE		
9.	STARTING MOTOR & DYNAMO		
10.	LABEL & GASKET SET		

OCW10-M04100

Fig.1. CYLINDER BLOCK



No.	Lev.	Parts No.	Description	Q'ty						I	R
				(A)	(B)	(C)	(D)	(E)	(F)		
1	1	114699-01050	BLOCK ASSY, CYLINDER	1	1						
5	1	114299-01830	COVER	1	1						
6	1	114699-01200	BOLT, HEAD	2	2						
7	1	114699-01210	BOLT, HEAD	2	2						
8	1	114699-01250	WASHER	4	4						
9	1	114699-01380	O-RING	1	1						
10	1	114250-01841	GASKET	1	1						
11	1	114299-01600	PIN, 8X12	2	2						
12	1	26226-060182	STUD, M6X 18	1	1						
13	1	26226-060222	STUD, M6X 22	2	2						
14	1	26366-060002	NUT, M6	3	3						
15	1	114299-35150	PIPE, OIL INLET	1	1						
16	1	26106-080352	BOLT, M8X 35 PLATED	16	16						
17	1	114299-01690	PLUG M16	2	2						
18	1	114699-01760	CAP ASSY	2	2						
20	2	114299-01950	O-RING, 18	2	2						
21	1	22190-160002	WASHER, SEAL 16	2	2						
22	1	114299-02030	RETAINER, BEARING	1	1						
23	1	114650-02150	BEARING, HR6308G3C3	1	1						
24	1	24162-152112	BEARING, 152112	1	1						
25	1	24423-355008	SEAL, OIL TC355008	1	1						
26	1	24423-355008	SEAL, OIL TC355008	1	1						
27	1	26106-080122	BOLT, M8X 12 PLATED	1	1						
28	1	114650-02200	BEARING, 0.25 US	1	1						2
29	1	114650-02210	BEARING, 0.50 US	1	1						3
30	1	114699-01220	NUT, CYLINDER HEAD A	2	2						
31	1	114699-01230	NUT, CYLINDER HEAD B	2	2						
32	1	114699-01330	GASKET, HEAD	1	1						
33	1	114299-01800	SHIM SET	1	1						
44	1	114699-01410	GASKET, CRANK CASE	1	1						
45	1	114699-01450	COVER, CRANK CASE	1	1						
48	2	114650-02100	BEARING, MAIN	1	1						1
50	1	183250-39450	SWITCH, 1.0KG	1	1						

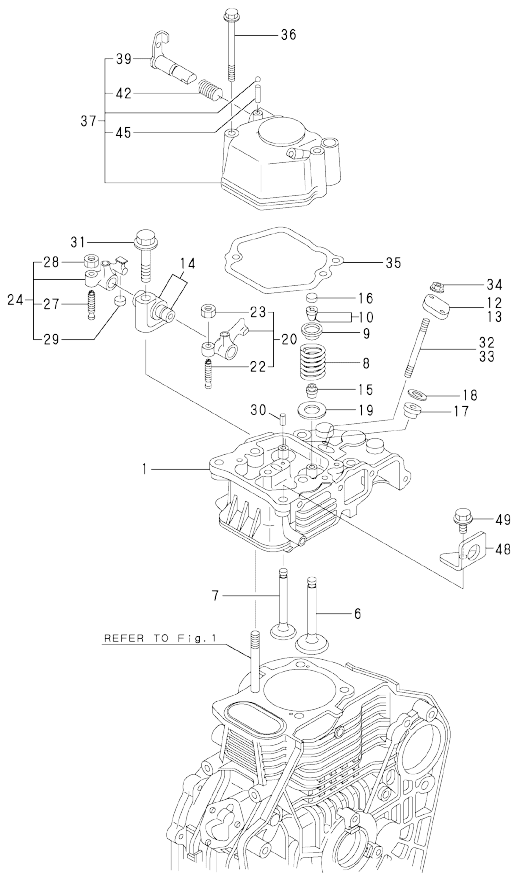
Remarks

- (1)REPAIR PART.
- (2)UNDER SIZED(U.S.=0.25)PART.
- (3)UNDER SIZED(U.S.=0.50)PART.

N:Old $\frac{New}{Old}$ New, Q:Old $\frac{New}{Old}$ New, R:Old $\frac{New}{Old}$ New, S:Old $\frac{New}{Old}$ New, W:Add, Z:Discontinued, F:Interchangeable by set, K:Q'ty Change
 Copyright (C) YANMAR CO., LTD. All Rights Reserved.

OCW10-M04100

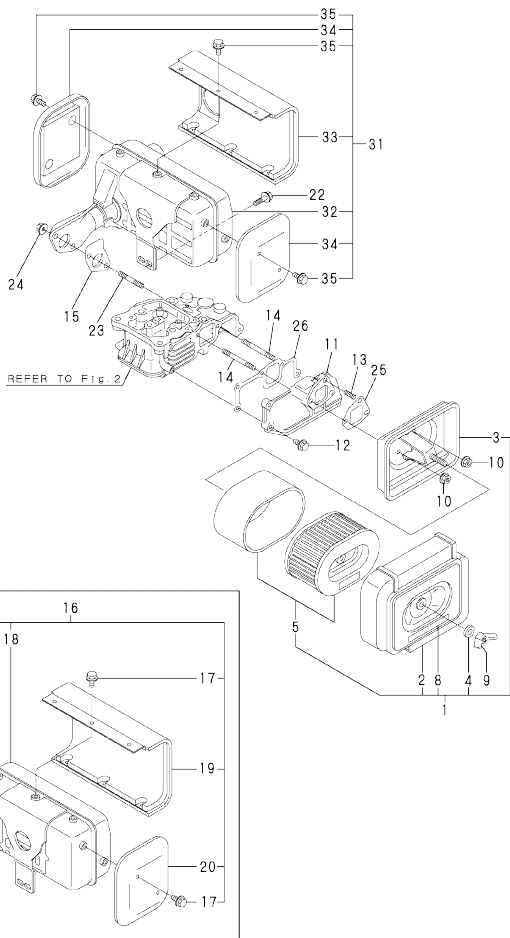
Fig.2. CYLINDER HEAD & BONNET



No.	Lev.	Parts No.	Description	Q'ty						
				(A)	(B)	(C)	(D)	(E)	(F)	
1	1	114650-11011	HEAD ASSY, CYLINDER	1	1					
6	1	114699-11100	VALVE, INTAKE	1	1					
7	1	114699-11110	VALVE, EXHAUST	1	1					
8	1	114699-11120	SPRING, VALVE	2	2					
9	1	119620-11180	RETAINER, SPRING	2	2					
10	1	27310-070001	COTTER, 7	2	2					
12	1	114299-11901	RETAINER, NOZZLE	1						
13	1	114699-11900	RETAINER, NOZZLE		1					
14	1	114650-11261	SUPPORT, ROCKER ARM	1	1					
15	1	114650-11340	SEAL, VALVE STEM	2	2					
16	1	104211-11370	CAP, VALVE	1	1					
17	1	114250-11460	GASKET, NOZZLE	1	1					
18	1	114350-11470	SPACER, NOZZLE	1	1					
19	1	114699-11600	WASHER	2	2					
20	1	114650-11652	ARM, ROCKER	1	1					
22	2	114250-11240	SCREW, VALVE ADJUST	1	1					
23	2	26856-060002	NUT, M6	1	1					
24	1	714670-11660	ARM ASSY, ROCKER	1	1					
27	3	114250-11240	SCREW, VALVE ADJUST	1	1					
28	3	26856-060002	NUT, M6	1	1					
29	2	104211-11370	CAP, VALVE	1	1					
30	1	22351-040008	PIN, SPRING 4.0X 8	1	1					
31	1	26106-100552	BOLT, M10X 55 PLATED	1	1					
32	1	26226-060502	STUD, M6X 50	2						
33	1	26226-060602	STUD, M6X 60		2					
34	1	26366-060002	NUT, M6	2	2					
35	1	114699-11320	GASKET, BONNET	1	1					
36	1	26106-060702	BOLT, M6X 70 PLATED	2	2					
37	1	114699-11950	BONNET ASSY, HEAD	1	1					
39	2	114250-03591	LEVER ASSY	1	1					
42	2	114299-03640	SPRING, DECOMPRESSION	1	1					
45	2	22312-030160	PIN, PARALLEL M3X16	1	1					
48	1	114399-07900	LIFTER	1	1					
49	1	26106-080202	BOLT, M8X 20 PLATED	1	1					

N:Old $\frac{100}{100}$ New, Q:Old $\frac{100}{100}$ New, R:Old $\frac{100}{100}$ New, S:Old $\frac{100}{100}$ New, W:Add, Z:Discontinued, F:Interchangeable by set, K:Q'ty Change
 Copyright (C) YANMAR CO., LTD. All Rights Reserved.

Fig.3. AIR CLEANER & MUFFLER

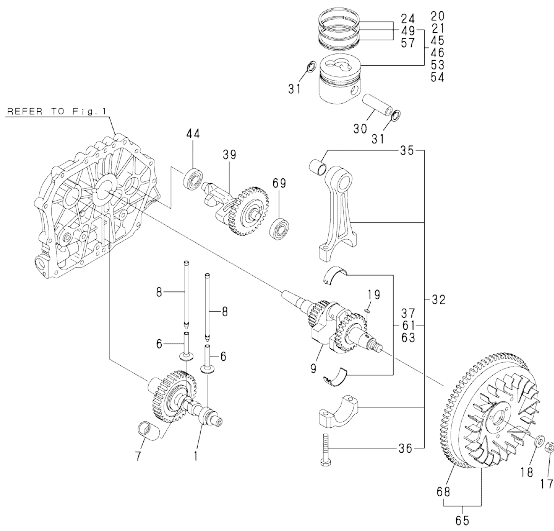


No.	Lev.	Parts No.	Description	Q'ty					
				(A)	(B)	(C)	(D)	(E)	(F)
1	1	114980-12510	CLEANER ASSY, AIR	1	1				
2	2	114650-12520	COVER, AIR CREAMER	1	1				
3	2	114980-12530	CASE ASSY, CLEANER	1	1				
4	2	114252-12560	WASHER, SEAL M8	1	1				
5	2	114650-12590	ELEMENT ASSY	1	1				
8	2	114650-07450	LABEL, AIR CLEANER	1	1				
9	1	114252-12550	NUT, WING M8	1	1				
10	1	114299-12300	NUT	3	3				
11	1	114699-12020	PIPE, AIR INTAKE	1	1				
12	1	26106-060252	BOLT, M6X 25 PLATED	3	3				
13	1	26226-060142	STUD, M6X 14	1	1				
14	1	26226-060752	STUD, M6X 75	2	2				
15	1	114699-13200	GASKET, MUFFLER	1	1				
16	1	114973-13552	MUFFLER ASSY	1					
17	2	160260-01580	BOLT, FLANGE M6X6	10					
18	2	114973-13562	MUFFLER	1					
19	2	183382-13700	COVER	1					
20	2	114970-13710	COVER	1					
21	2	114973-13710	COVER	1					
22	1	26106-080182	BOLT, M8X 18 PLATED	2	2				
23	1	26216-080182	STUD, M8X 18	2	2				
24	1	26366-080002	NUT, M8	2	2				
25	1	114699-12210	GASKET, AIR CLEANER	1	1				
26	1	114699-12200	GASKET	1	1				
27	1	183671-13211	GASKET, EXH.PIPE	1					
28	1	114699-13740	PIPE, TAIL	1					
29	1	22217-080000	WASHER, SPRING 8	2					
30	1	26453-080222	BOLT, M8X 22	2					
31	1	114699-13551	MUFFLER ASSY	1					
32	2	114699-13561	MUFFLER	1					
33	2	114699-13700	COVER A, MUFFLER	1					
34	2	114699-13710	COVER	2					
35	2	114699-13720	BOLT, M6	10					

N:Old $\frac{New}{Old}$ New, Q:Old $\frac{New}{Old}$ New, R:Old $\frac{New}{Old}$ New, S:Old $\frac{New}{Old}$ New, W:Add, Z:Discontinued, F:Interchangeable by set, K:Qty Change
 Copyright (C) YANMAR CO., LTD. All Rights Reserved.

OCW10-M04100

Fig.4. CRANKSHAFT,PISTON & CAMSHAFT



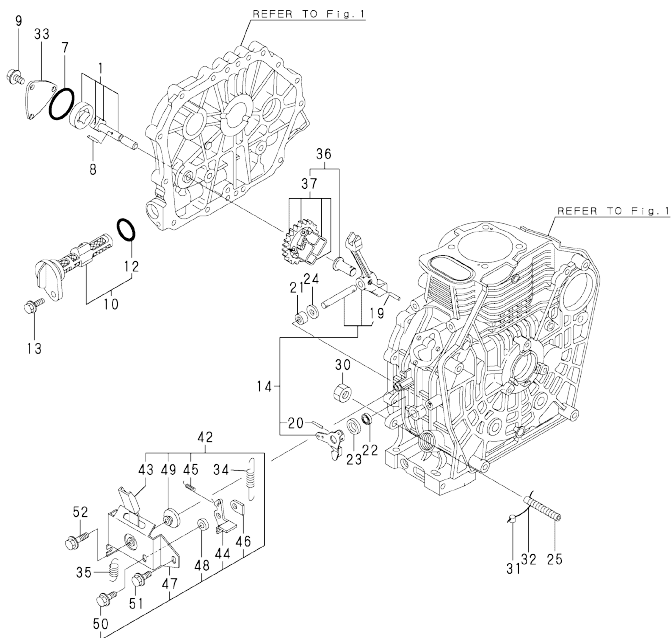
No.	Lev.	Parts No.	Description	Q'ty						I	R
				(A)	(B)	(C)	(D)	(E)	(F)		
1	1	714699-14580	CAMSHAFT ASSY	1	1						
6	1	114699-14200	TAPPET	2	2						
7	1	114771-14260	TAPPET	1	1						
8	1	114650-14402	ROD ASSY, PUSH	2	2						
9	1	714988-21730	CRANKSHAFT ASSY	1	1						
17	1	114699-21220	NUT	1	1						
18	1	114699-21550	WASHER	1	1						
19	1	22512-050140	KEY, 5X 14	1	1						
20	1	714980-22721	PISTON ASSY, D	1							
21	1	714988-22720	PISTON ASSY, D	1	1						
24	2	714970-22500	RING SET, PISTON	1	1						
30	1	114699-22300	PIN, PISTON D=23	1	1						
31	1	129792-22400	CIRCLIP, 23	2	2						
32	1	714699-23700	ROD ASSY, CONNECTING	1	1						
35	2	124060-23100	BEARING, PISTON PIN	1	1						
36	2	105300-23200	BOLT, CONNECTING ROD	2	2						
37	2	714650-23600	BEARING, CRANK PIN	1	1						
39	1	714970-28511	SHAFT ASSY, BALANCER	1	1						
44	1	24101-062030	BEARING, BALL 6203C3	1	1						
45	1	714980-22621	PISTON ASSY, 0.25 OS	1							1
46	1	714988-22620	PISTON ASSY, 0.25 OS			1					1
49	2	714970-22540	RING SET, 0.25 OS	1	1						1
53	1	714980-22581	PISTON ASSY, 0.50 OS	1							2
54	1	714988-22580	PISTON ASSY, 0.50 OS			1					2
57	2	714970-22550	RING SET, 0.50 OS	1	1						2
61	1	714650-23610	BEARING ASSY, 0.25	1	1						3
63	1	714650-23620	BEARING, 0.50 US	1	1						4
65	1	114699-21590	FLYWHEEL ASSY	1	1						
68	2	114662-21601	GEAR, RING	1	1						
69	1	24101-063030	BEARING, BALL 6303C3	1	1						

Remarks

- (1)OVER SIZED(O.S.=0.25)PART.
- (2)OVER SIZED(O.S.=0.50)PART.
- (3)UNDER SIZED(U.S.=0.25)PART.
- (4)UNDER SIZED(U.S.=0.50)PART.

OCW10-M04100

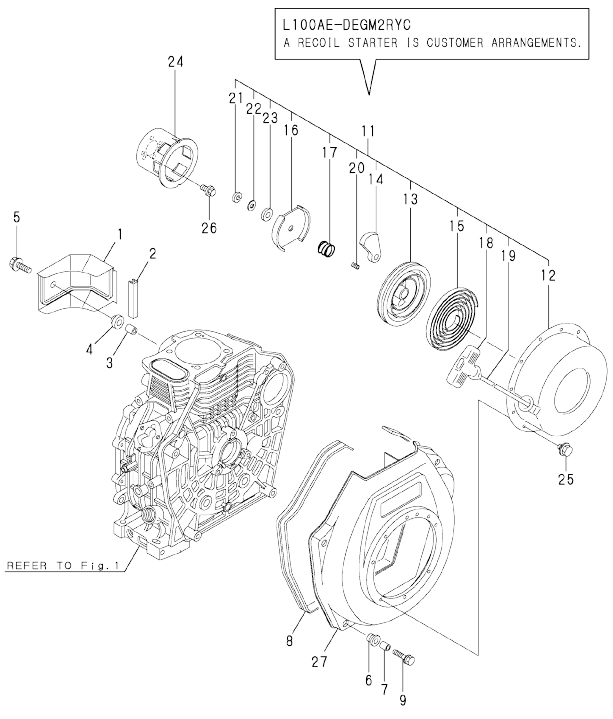
Fig.5. LUB.OIL PUMP & GOVERNOR



No.	Lev.	Parts No.	Description	Q'ty						I	R
				(A)	(B)	(C)	(D)	(E)	(F)		
1	1	114650-32010	PUMP ASSY, OIL	1	1						
7	1	114299-32570	O-RING	1	1						
8	1	22312-030160	PIN, PARALLEL M3X16	1	1						
9	1	26106-060122	BOLT, M6X 12 PLATED	3	3						
10	1	114299-35110	FILTER ASSY, OIL	1	1						
12	2	24341-000224	O-RING, 1AS22.4	1	1						
13	1	26106-060162	BOLT, M6X 16 PLATED	1	1						
14	1	714699-61500	LEVER ASSY, GOVERNOR	1	1						
19	3	22322-030200	PIN, TAPER 3X20	1	1						
20	2	22322-030200	PIN, TAPER 3X20	1	1						
21	1	114770-61520	BEARING, NEEDLE	2	2						
22	1	114299-61600	SEAL, OIL	1	1						
23	1	114770-61610	WASHER, THRUST	1	1						
24	1	114299-61190	WASHER	1	1						
25	1	114650-66600	LIMITER ASSY, FUEL	1	1						
30	1	26776-100002	NUT, LOCK M10	1	1						
31	1	135210-61090	LEAD	2	2						
32	1	22451-060000	WIRE, 0.6	2	2						
33	1	114299-32070	COVER	1	1						
34	1	114699-66010	SPRING, REGULATOR	1	1						
35	1	114299-66200	SPRING, RETURN	1	1						
36	1	714699-61700	GOVERNOR ASSY	1	1						
37	2	114699-61210	WEIGHT ASSY, GOVERNOR	1	1						
42	1	183250-66511	BRACKET ASSY, HANDLE	1	1						
43	2	183250-66301	HANDLE	1	1						
44	2	183250-66321	LEVER, LOCK	1	1						
45	2	183250-66331	SPRING	1	1						
46	2	183250-66341	NUT, LOCK	1	1						
47	2	183250-66351	BRACKET	1	1						
48	2	183250-66361	COLLAR	1	1						
49	2	183250-66371	COLLAR	1	1						
50	2	26106-060162	BOLT, M6X 16 PLATED	1	1						
51	1	26106-060142	BOLT, M6X 14 PLATED	1	1						
52	1	26106-060202	BOLT, M6X 20 PLATED	1	1						

N:Old $\frac{New}{Old}$ New, Q:Old $\frac{New}{Old}$ New, R:Old $\frac{New}{Old}$ New, S:Old $\frac{New}{Old}$ New, W:Add, Z:Discontinued, F:Interchangeable by set, K:Qty Change
 Copyright (C) YANMAR CO., LTD. All Rights Reserved.

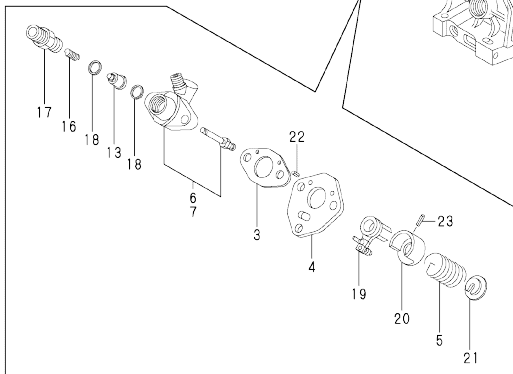
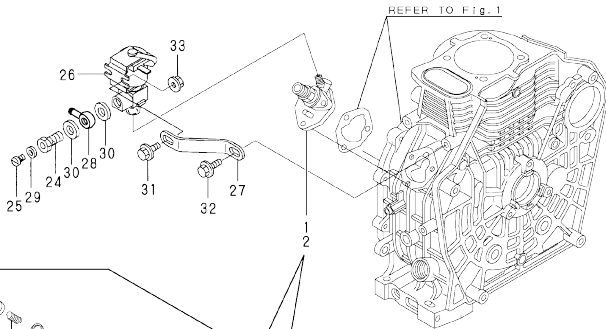
Fig.6. COOLING & STARTING DEVICE



No.	Lev.	Parts No.	Description	Q'ty						I	R
				(A)	(B)	(C)	(D)	(E)	(F)		
1	1	114699-45210	COVER	1	1						
2	1	114399-45320	RUBBER, SEAL	1	1						
3	1	114399-45340	COLLAR	1	1						
4	1	114299-45220	GROMMET	1	1						
5	1	26106-060202	BOLT, M6X 20 PLATED	1	1						
6	1	114299-45300	RUBBER, CUSHION	4	4						
7	1	114299-45310	COLLAR	4	4						
8	1	114699-45330	SEAL, FAN CASE	1	1						
9	1	114299-45350	BOLT, FAN CASE	4	4						
11	1	114699-76251	RECOIL ASSY	1							
12	2	114699-76510	CASE, STARTER	1							
13	2	114699-76520	REEL	1							
14	2	114699-76531	RATCHET	2							
15	2	114699-76540	SPRING, SPIRAL	1							
16	2	114699-76551	GUIDE, RATCHET	1							
17	2	114699-76560	SPRING, FRICTION	1							
18	2	114699-76620	KNOB, STARTER	1							
19	2	114699-76630	ROPE, STARTER	1							
20	2	114699-76650	SPRING, RETURN	1							
21	2	114699-76660	CIRCLIP	1							
22	2	114699-76670	WASHER	1							
23	2	114699-76680	WASHER	1							
24	1	114699-76592	PULLEY, STARTER	1							
25	1	26106-060082	BOLT, M6X 8 PLATED	4							
26	1	26106-060122	BOLT, M6X 12 PLATED	3							
27	1	114699-45100	CASE, COOLING FAN	1	1						

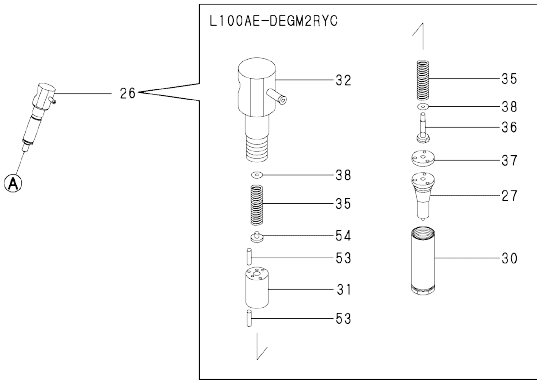
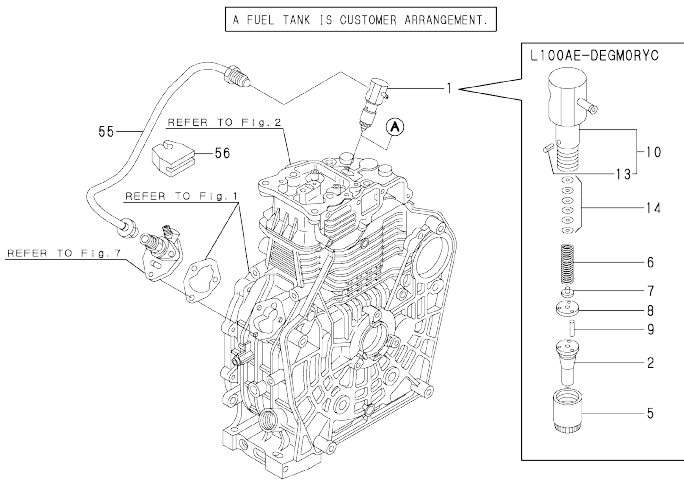
Fig.7. FUEL INJECTION PUMP

A FUEL TANK IS CUSTOMER ARRANGEMENT.



No.	Lev.	Parts No.	Description	Q'ty						I	R
				(A)	(B)	(C)	(D)	(E)	(F)		
1	1	714699-51210	FUEL INJECTION PUMP	1							
2	1	714699-51700	FUEL INJECTION PUMP		1						
3	2	114299-51020	GASKET, PUMP BODY	1	1						
4	2	114299-51080	PLATE	1	1						
5	2	114299-51160	SPRING, PLUNGER	1	1						
6	2	114699-51210	BODY ASSY, PUMP	1							
7	2	114699-51700	BODY ASSY, PUMP			1					
13	2	114699-51300	VALVE ASSY, DELIVERY	1	1						
16	2	114299-51330	SPRING, VALVE	1	1						
17	2	114299-51340	HOLDER, DELIVERY	1	1						
18	2	114299-51350	PACKING, DELIVERY	2	2						
19	2	114299-51600	LEVER, CONTROL	1	1						
20	2	114299-51640	SEAT, SPRING	1	1						
21	2	114299-51650	SEAT, SPRING	1	1						
22	2	22351-020006	PIN, SPRING 2.0X 6	2	2						
23	2	22351-030008	PIN, SPRING 3.0X 8	1	1						
24	1	114299-59920	BOLT, M10	1	1						
25	1	114299-59930	BOLT	1	1						
26	1	114299-76900	VALVE ASSY	1	1						
27	1	114299-76910	STAY	1	1						
28	1	114299-76930	BALL JOINT 10	1	1						
29	1	114299-83000	GASKET, 6	1	1						
30	1	114299-83010	GASKET, 10	2	2						
31	1	26106-060122	BOLT, M6X 12 PLATED	1	1						
32	1	26106-060162	BOLT, M6X 16 PLATED	1	1						
33	1	26366-060002	NUT, M6	1	1						

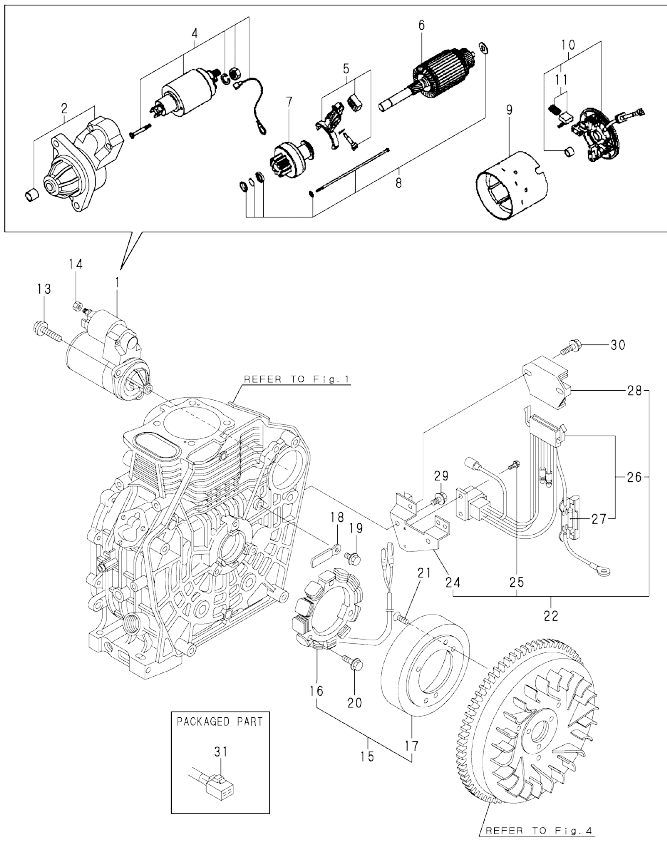
Fig.8. FUEL INJECTION VALVE



No.	Lev.	Parts No.	Description	Q'ty						I	R
				(A)	(B)	(C)	(D)	(E)	(F)		
1	1	714650-53100	VALVE ASSY,INJECTION	1							
2	2	114650-53000	VALVE ASSY,INJECTION	1							
5	2	114250-53080	NUT, NOZZLE D16.95	1							
6	2	114250-53120	SPRING, NOZZLE	1							
7	2	114250-53130	SEAT, SPRING	1							
8	2	114250-53140	PLATE	1							
9	2	114250-53210	PIN	2							
10	2	114650-53300	HOLDER ASSY, NOZZLE	1							
13	3	114250-53331	PIN	1							
14	2	114250-53400	SHIM SET	1							
26	1	714970-53100	VALVE ASSY,INJECTION		1						
27	2	114650-53000	VALVE ASSY,INJECTION		1						
30	2	114970-53080	NUT, NOZZLE		1						
31	2	114970-53090	CAGE		1						
32	2	114970-53100	HOLDER ASSY, NOZZLE		1						
35	2	114970-53120	SPRING, NOZZLE		2						
36	2	114970-53130	SEAT, SPRING		1						
37	2	114250-53140	PLATE		1						
38	2	114970-53140	SHIM SET		2						
53	2	114250-53210	PIN		4						
54	2	114970-53460	SEAT, SPRING		1						
55	1	114650-59801	PIPE ASSY, INJECTION	1	1						
56	1	114650-59850	SUPPORT		1	1					

OCW10-M04100

Fig.9. STARTING MOTOR & DYNAMO



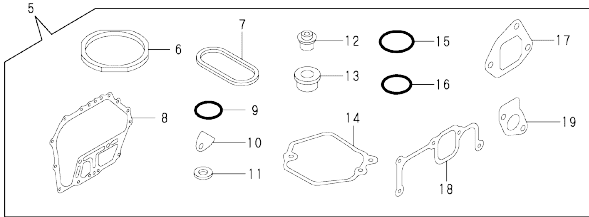
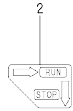
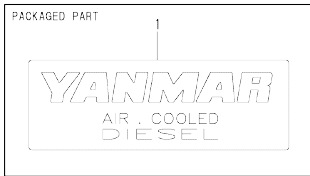
No.	Lev.	Parts No.	Description	Q'ty						I	R
				(A)	(B)	(C)	(D)	(E)	(F)		
1	1	114399-77010	STARTER(ISKRA 12V	1	1						
2	2	114399-77150	GEAR CASE ASSY	1	1						
4	2	114399-77060	MAGNETIC SWITCH ASSY	1	1						
5	2	114399-77180	SHIFT LEVER KIT	1	1						
6	2	114399-77110	ARMATURE ASSY	1	1						
7	2	114399-77040	PINION CLUTCH ASSY	1	1						
8	2	114399-77770	THROUGH BOLT ASSY	1	1						
9	2	114399-77130	YOKE ASSY	1	1						
10	2	114399-77140	REAR COVER ASSY	1	1						
11	3	114399-77160	BRUSH HOLDER ASSY	1	1						1
13	1	26106-100302	BOLT, M10X 30 PLATED	2	2						
14	1	26716-080002	NUT, M8	1	1						
15	1	114399-78260	DYNAMO ASSY	1	1						
16	2	114399-78730	STATOR ASSY	1	1						
17	2	114399-78740	WHEEL, DYNAMO	1	1						
18	1	160710-78710	CLAMP, CORD	1	1						
19	1	26106-060122	BOLT, M6X 12 PLATED	1	1						
20	1	26106-060202	BOLT, M6X 20 PLATED	3	3						
21	1	26577-060142	SCREW M 6X 14	3	3						
22	1	114399-77550	REG. & HARNESS ASSY	1	1						
24	3	114399-77400	BRACKET, HARNESS	1	1						
25	3	26023-040102	SCREW, M4X10	2	2						
26	3	114399-77540	HARNESS, WIRE	1	1						
27	4	114399-78000	FUSE(20A	2	2						
28	2	114399-77710	REGULATOR	1	1						
29	1	26106-060122	BOLT, M6X 12 PLATED	2	2						
30	1	26106-060202	BOLT, M6X 20 PLATED	2	2						
31	1	114351-77520	COUPLER	1	1						

Remarks
(1)4 PIECE SET

N:Old $\frac{New}{100}$ New, Q:Old $\frac{New}{100}$ New, R:Old $\frac{New}{100}$ New, S:Old $\frac{New}{100}$ New, W:Add, Z:Discontinued, F:Interchangeable by set, K:Q'ty Change
Copyright (C) YANMAR CO., LTD. All Rights Reserved.

OCW10-M04100

Fig.10. LABEL & GASKET SET



No.	Lev.	Parts No.	Description	Q'ty						
				(A)	(B)	(C)	(D)	(E)	(F)	
1	1	114299-07100	LABEL, AIR COOLED	1	1					
2	1	183250-07480	LABEL, RUN-STOP	1	1					
5	1	714999-92600	GASKET SET	1	1					1
6	2	114699-01330	GASKET, HEAD	1	1					
7	2	114699-01380	O-RING	1	1					
8	2	114699-01410	GASKET, CRANK CASE	1	1					
9	2	114299-01950	O-RING, 18	2	2					
10	2	114250-01841	GASKET	1	1					
11	2	22190-160002	WASHER, SEAL 16	2	2					
12	2	114650-11340	SEAL, VALVE STEM	2	2					
13	2	114250-11460	GASKET, NOZZLE	1	1					
14	2	114699-11320	GASKET, BONNET	1	1					
15	2	114299-32570	O-RING	1	1					
16	2	24341-000224	O-RING, 1AS22.4	1	1					
17	2	114699-12210	GASKET, AIR CLEANER	1	1					
18	2	114699-12200	GASKET	1	1					
19	2	114699-13200	GASKET, MUFFLER	1	1					

Remarks
(1)OPTIONAL

N:Old $\frac{YES}{NO}$ New, Q:Old $\frac{HE}{VCC}$ New, R:Old $\frac{YES}{VCC}$ New, S:Old $\frac{NO}{NO}$ New, W:Add, Z:Discontinued, F:Interchangeable by set, K:Q'ty Change
Copyright (C) YANMAR CO., LTD. All Rights Reserved.

Parts No. Index

Parts No.	Fig. No.	Ref. No.
104211-11370	2	16
		29
105300-23200	4	36
114250-01841	1	10
	10	10
114250-03591	2	39
114250-11240	2	22
		27
114250-11460	2	17
	10	13
114250-53080	8	5
114250-53120	8	6
114250-53130	8	7
114250-53140	8	8
		37
114250-53210	8	9
		53
114250-53331	8	13
114250-53400	8	14
114252-12550	3	9
114252-12560	3	4
114299-01600	1	11
114299-01690	1	17
114299-01800	1	33
114299-01830	1	5
114299-01950	1	20
	10	9
114299-02030	1	22
114299-03640	2	42
114299-07100	10	1
114299-11901	2	12
114299-12300	3	10
114299-32070	5	33
114299-32570	5	7
	10	15
114299-35110	5	10
114299-35150	1	15
114299-45220	6	4
114299-45300	6	6
114299-45310	6	7
114299-45350	6	9
114299-51020	7	3
114299-51080	7	4
114299-51160	7	5
114299-51330	7	16
114299-51340	7	17
114299-51350	7	18
114299-51600	7	19
114299-51640	7	20
114299-51650	7	21

Parts No.	Fig. No.	Ref. No.
114299-59920	7	24
114299-59930	7	25
114299-61190	5	24
114299-61600	5	22
114299-66200	5	35
114299-76900	7	26
114299-76910	7	27
114299-76930	7	28
114299-83000	7	29
114299-83010	7	30
114350-11470	2	18
114351-77520	9	31
114399-07900	2	48
114399-45320	6	2
114399-45340	6	3
114399-77010	9	1
114399-77040	9	7
114399-77060	9	4
114399-77110	9	6
114399-77130	9	9
114399-77140	9	10
114399-77150	9	2
114399-77160	9	11
114399-77180	9	5
114399-77400	9	24
114399-77540	9	26
114399-77550	9	22
114399-77710	9	28
114399-77770	9	8
114399-78000	9	27
114399-78260	9	15
114399-78730	9	16
114399-78740	9	17
114650-02100	1	48
114650-02150	1	23
114650-02200	1	28
114650-02210	1	29
114650-07450	3	8
114650-11011	2	1
114650-11261	2	14
114650-11340	2	15
	10	12
114650-11652	2	20
114650-12520	3	2
114650-12590	3	5
114650-14402	4	8
114650-32010	5	1
114650-53000	8	2
		27
114650-53300	8	10

Parts No.	Fig. No.	Ref. No.
114650-59801	8	55
114650-59850	8	56
114650-66600	5	25
114662-21601	4	68
114699-01050	1	1
114699-01200	1	6
114699-01210	1	7
114699-01220	1	30
114699-01230	1	31
114699-01250	1	8
114699-01330	1	32
	10	6
114699-01380	1	9
	10	7
114699-01410	1	44
	10	8
114699-01450	1	45
114699-01760	1	18
114699-11100	2	6
114699-11110	2	7
114699-11120	2	8
114699-11320	2	35
	10	14
114699-11600	2	19
114699-11900	2	13
114699-11950	2	37
114699-12020	3	11
114699-12200	3	26
	10	18
114699-12210	3	25
	10	17
114699-13200	3	15
	10	19
114699-13551	3	31
114699-13561	3	32
114699-13700	3	33
114699-13710	3	34
114699-13720	3	35
114699-13740	3	28
114699-14200	4	6
114699-21220	4	17
114699-21550	4	18
114699-21590	4	65
114699-22300	4	30
114699-45100	6	27
114699-45210	6	1
114699-45330	6	8
114699-51210	7	6
114699-51300	7	13
114699-51700	7	7

Parts No.	Fig. No.	Ref. No.
114699-61210	5	37
114699-66010	5	34
114699-76251	6	11
114699-76510	6	12
114699-76520	6	13
114699-76531	6	14
114699-76540	6	15
114699-76551	6	16
114699-76560	6	17
114699-76592	6	24
114699-76620	6	18
114699-76630	6	19
114699-76650	6	20
114699-76660	6	21
114699-76670	6	22
114699-76680	6	23
114770-61520	5	21
114770-61610	5	23
114771-14260	4	7
114970-13710	3	20
114970-53080	8	30
114970-53090	8	31
114970-53100	8	32
114970-53120	8	35
114970-53130	8	36
114970-53140	8	38
114970-53460	8	54
114973-13552	3	16
114973-13562	3	18
114973-13710	3	21
114980-12510	3	1
114980-12530	3	3
119620-11180	2	9
124060-23100	4	35
129792-22400	4	31
135210-61090	5	31
160260-01580	3	17
160710-78710	9	18
183250-07480	10	2
183250-39450	1	50
183250-66301	5	43
183250-66321	5	44
183250-66331	5	45
183250-66341	5	46
183250-66351	5	47
183250-66361	5	48
183250-66371	5	49
183250-66511	5	42
183382-13700	3	19
183671-13211	3	27

Parts No. Index

Parts No.	Fig. No.	Ref. No.
22190-160002	1	21
	10	11
22217-080000	3	29
22312-030160	2	45
	5	8
22322-030200	5	19
		20
22351-020006	7	22
22351-030008	7	23
22351-040008	2	30
22451-060000	5	32
22512-050140	4	19
24101-062030	4	44
24101-063030	4	69
24162-152112	1	24
24341-000224	5	12
	10	16
24423-355008	1	25
		26
26023-040102	9	25
26106-060082	6	25
26106-060122	5	9
	6	26
	7	31
	9	19
		29
26106-060142	5	51
26106-060162	5	13
		50
	7	32
26106-060202	5	52
	6	5
	9	20
		30
26106-060252	3	12
26106-060702	2	36
26106-080122	1	27
26106-080182	3	22
26106-080202	2	49
26106-080352	1	16
26106-100302	9	13
26106-100552	2	31
26216-080182	3	23
26226-060142	3	13
26226-060182	1	12
26226-060222	1	13
26226-060502	2	32
26226-060602	2	33
26226-060752	3	14
26366-060002	1	14

Parts No.	Fig. No.	Ref. No.
26366-060002	2	34
	7	33
26366-080002	3	24
26453-080222	3	30
26577-060142	9	21
26716-080002	9	14
26776-100002	5	30
26856-060002	2	23
		28
27310-070001	2	10
714650-23600	4	37
714650-23610	4	61
714650-23620	4	63
714650-53100	8	1
714670-11660	2	24
714699-14580	4	1
714699-23700	4	32
714699-51210	7	1
714699-51700	7	2
714699-61500	5	14
714699-61700	5	36
714970-22500	4	24
714970-22540	4	49
714970-22550	4	57
714970-28511	4	39
714970-53100	8	26
714980-22581	4	53
714980-22621	4	45
714980-22721	4	20
714988-21730	4	9
714988-22580	4	54
714988-22620	4	46
714988-22720	4	21
714999-92600	10	5

Parts No.	Fig. No.	Ref. No.
-----------	----------	----------

Parts No.	Fig. No.	Ref. No.
-----------	----------	----------