

0CV10-M49800EN

PREFACE

1.This Parts Catalog carries all parts incorporated in YANMAR Model L48AE - DEGMA, L70AE - DEGMA & L100AE - DEGMA engines manufactured since DECEMBER, 1996.

2.Each illustration corresponds to the parts list on the following page.

3.When ordering parts, clearly write down the engine model and serial number, as well as the name and number of each part in your order sheet. This will help insure reliable delivery of the parts you have ordered.

Directions for the Parts Catalog.

1. The parts stipulated in this Parts Catalog are not necessarily standard equipped parts.
2. Parts may change without prior notice.
3. The following is an example of the Parts Catalog format.

REF.	LEV.	PARTS NO.	DESCRIPTION	Q'TY						I	R
				(A)	(B)	(C)	(D)	(E)	(F)		
1	1	729595-51390	FUEL INJECTION PUMP	1	1	1	1	1			1
1-1	1	729595-51391	FUEL INJECTION PUMP	1	1	1	1	1		N	1
		(A=E00185) (B=E00200)									
3	2	26022-060162	SCREW M 6X 16	9	9	9	9	9			
3-1	2	26022-060162	SCREW M 6X 16	4	4	4	4	4		K	
		(A=E00156) (B=E00156) (C=E00156) (D=E00156) (E=E00156)									
4	2	129470-51040	CAMSHAFT	1	1	1	1	1			
5	2	122710-51050	BEARING, ROLLER	2	2	2	2	2			
6	2	129470-51060	RETAINER	1	1	1	1	1			

Remarks
(1) BOOST COMPEMSATOR TYPE. OPTIONAL PART, TO E00155,(4JH-DT, 4JH-DTZ

① Ref. No.

The Ref. No. listed may not be in accordance with the illustration Ref. No.

(Ex.) Illustration No.

List Ref No.

1 1 (Before change) → 1-1 (After change)

For interchangeable symbols N, R and K, illustrations for new parts may be abbreviated.

② Lev. (Level)

Level indication

The numbers below indicate the level of relativity towards the main part.

1 ---- Main parts (Assembly parts)

2 ---- Sub component included in " 1 ".

3 ---- Sub component included in " 2 ".

Note) Parts that are not for sale are partially illustrated but not listed.

③ Interchangeability Mark

When a part change takes place, one of the following interchangeability symbols is indicated beside the part.

Symbol	Interchangeability	Contents note
N	Old $\begin{matrix} \leftarrow \text{Yes} \\ \text{No} \rightarrow \end{matrix}$ New	New Part is interchangeable for Old Part but Old Part is not interchangeable for New Part.
Q	Old $\begin{matrix} \leftarrow \text{No} \\ \text{Yes} \rightarrow \end{matrix}$ New	New Part is not interchangeable for Old Part but Old Part is interchangeable for New Part.
R	Old $\begin{matrix} \leftarrow \text{Yes} \\ \text{Yes} \rightarrow \end{matrix}$ New	New/ Old Parts are both interchangeable.
S	Old $\begin{matrix} \leftarrow \text{No} \\ \text{No} \rightarrow \end{matrix}$ New	New/ Old Parts are both not interchangeable.
W		Part newly added.
Z		Part discontinued.
F		Not interchangeable by a single part but interchangeable together with related parts.
K		Changes only for used parts quantities.

④ Effective Machine No.

When a part changes, the effective Machine No. will be indicated in the (A)-(F) column.

Product Symbol	Product No.	Product Symbol	Product No.
C	Clutch No. Compressor No.	F	Machine No. (Agricultural Equip.)
D	Drive No.	M	Machine No.
E	Engine No.		

Note 1) A date may follow the symbol. (Ex.) 1996.01

Note 2) "XXXXX" and "ZZZZZ" are for parts that could not be predicted or for engine models that could not be identified.

Note 3) (A=E00185) is the E (Engine Serial Number) for the column (A) model (in this case 4JH-DT) after the parts design change.

⑤ Remarks Mark

Figures or alphabets (symbols) are entered in the remarks column.

The comments (remarks) on parts that are indicated at the bottom of the illustration are the same symbols as those stated above.

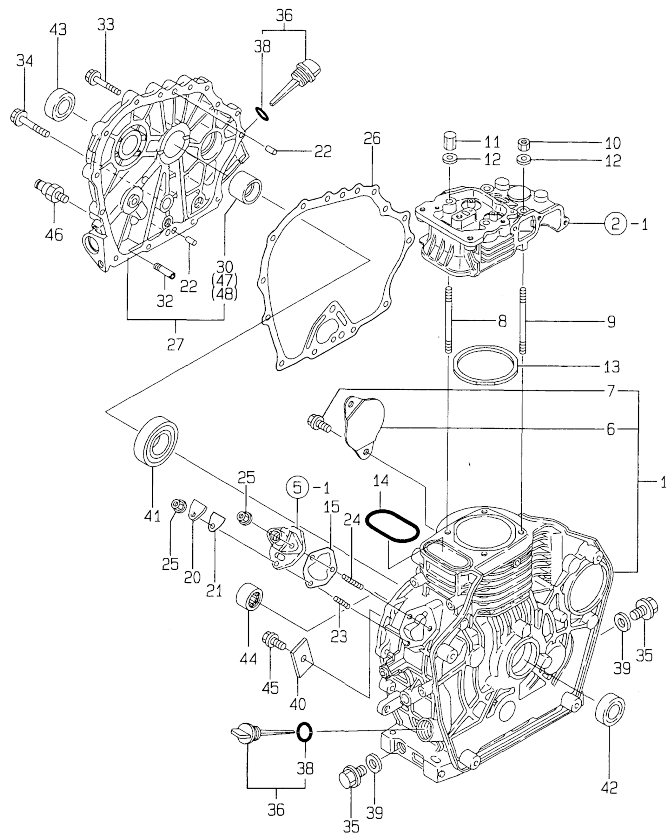
Contents

Fig. No.	Fig. Name	Fig. No.	Fig. Name
L48,70,100AE-DEGMA			
1.	CYLINDER BLOCK		
2.	CYLINDER HEAD & BONNET		
3.	CRANKSHAFT,PISTON & CAMSHAFT		
4.	LUB.OIL PUMP & GOVERNOR		
5.	FUEL INJECTION PUMP		
6.	STARTING MOTOR		
7.	LABEL & GASKET SET		
8.	CYLINDER BLOCK		
9.	CYLINDER HEAD & BONNET		
10.	CRANKSHAFT,PISTON & CAMSHAFT		
11.	LUB.OIL PUMP & GOVERNOR		
12.	FUEL INJECTION PUMP		
13.	STARTING MOTOR		
14.	LABEL & GASKET SET		
15.	CYLINDER BLOCK		
16.	CYLINDER HEAD & BONNET		
17.	CRANKSHAFT,PISTON & CAMSHAFT		
18.	LUB.OIL PUMP & GOVERNOR		
19.	FUEL INJECTION PUMP		
20.	STARTING MOTOR		
21.	LABEL & GASKET SET		

OCV10-M49800

Fig.1. CYLINDER BLOCK

1. CYLINDER BLOCK



No.	Lev.	Parts No.	Description	Q'ty						I	R
				(A)	(B)	(C)	(D)	(E)	(F)		
1	1	714771-01560	BLOCK ASSY, CYLINDER	1							
6	2	114350-01700	COVER	1							
7	2	26106-100122	BOLT, M10X 12 PLATED	2							
8	1	114250-01200	BOLT, HEAD	2							
9	1	114250-01210	BOLT, HEAD	2							
10	1	114250-01220	NUT, CYLINDER HEAD	2							
11	1	114250-01250	NUT, CAP	2							
12	1	124950-01250	WASHER	4							
13	1	114770-01340	GASKET, HEAD	1							G
14	1	114250-01380	O-RING	1							G
15	1	114250-01800	SHIM SET	1							
20	1	114250-01830	COVER	1							
21	1	114250-01841	GASKET	1							G
22	1	114270-01600	PIN, M8X12	2							
23	1	26226-060182	STUD, M6X 18	1							
24	1	26226-060222	STUD, M6X 22	2							
25	1	26366-060002	NUT, M6	3							
26	1	114250-01412	GASKET, CRANK CASE	1							G
27	1	114260-01454	COVER, CRANK CASE	1							
30	2	114250-02100	BEARING, MAIN	1							1
32	1	114250-35150	PIPE, OIL INLET	1							
33	1	26106-060252	BOLT, M6X 25 PLATED	14							
34	1	26106-080352	BOLT, M8X 35 PLATED	1							
35	1	105425-01690	PLUG, 16	2							
36	1	160710-01760	CAP ASSY, L82	2							
38	2	24311-000180	O-RING, 1AP18.0	2							G
39	1	22190-160002	WASHER, SEAL 16	2							G
40	1	114250-02030	RETAINER, BEARING	1							
41	1	114250-02113	BEARING, HR6306G3C3	1							
42	1	160110-02220	SEAL, OIL	1							
43	1	160210-02220	SEAL, 25X41.2X8	1							
44	1	24162-152112	BEARING, 152112	1							
45	1	26106-080122	BOLT, M8X 12 PLATED	1							
46	1	183250-39450	SWITCH, 1.0KG	1							
47	1	114250-02200	BEARING, 0.25 US	1							2
48	1	114250-02210	BEARING, 0.50 US	1							2

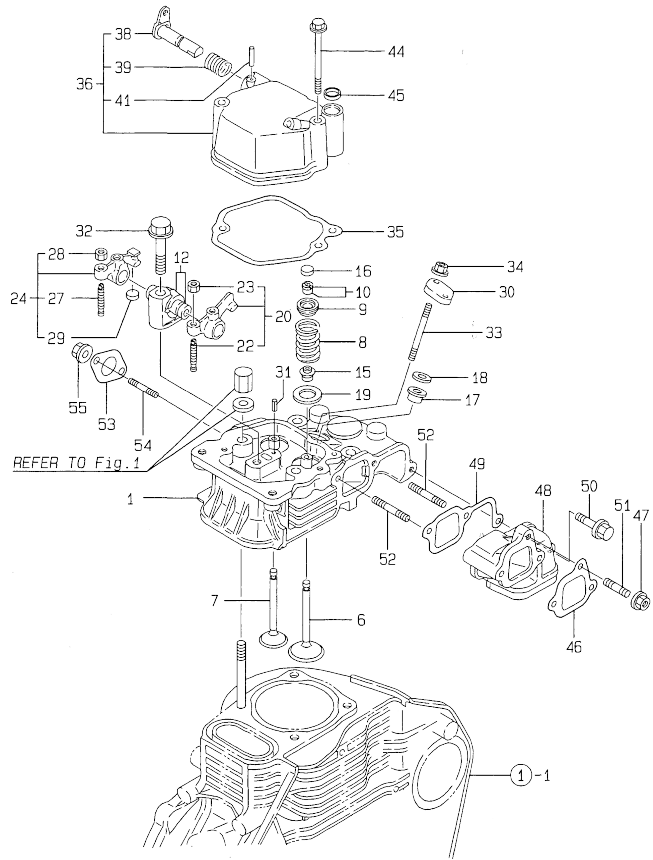
Remarks

- (1) REPAIR PART.
- (2) UNDER-SIZED PART.
- (G) THESE PARTS ARE SOLD BY FIG.7, REF.NO.6.

N:Old $\frac{100}{100}$ New, Q:Old $\frac{100}{100}$ New, R:Old $\frac{100}{100}$ New, S:Old $\frac{100}{100}$ New, W:Add, Z:Discontinued, F:Interchangeable by set, K:Qty Change
 Copyright (C) YANMAR CO., LTD. All Rights Reserved.

Fig.2. CYLINDER HEAD & BONNET

2. CYLINDER HEAD & BONNET



(A)=L48AE-DEGMA
(B)=L70AE-DEGMA
(C)=L100AE-DEGMA

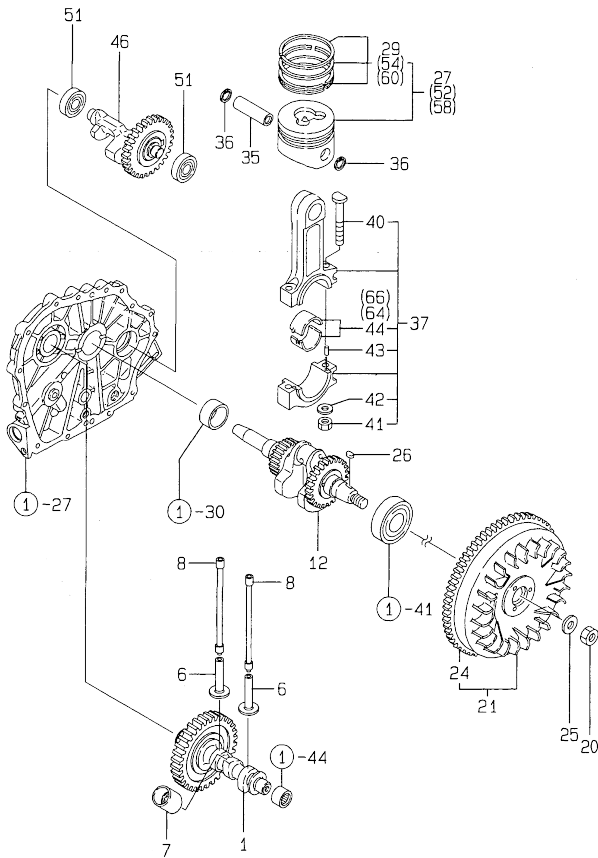
(D)=
(E)=
(F)=
Qty
I R

No.	Lev.	Parts No.	Description	Qty						
				(A)	(B)	(C)	(D)	(E)	(F)	
1	1	114770-11020	HEAD ASSY, CYLINDER	1						
6	1	114250-11101	VALVE, INTAKE	1						
7	1	114250-11113	VALVE, EXHAUST	1						
8	1	114250-11120	SPRING, VALVE	2						
9	1	114250-11180	RETAINER, SPRING	2						
10	1	714250-11570	COTTER ASSY	2						
12	1	114250-11290	SUPPORT, ROCKER ARM	1						
15	1	114250-11340	SEAL, VALVE STEM	2						G
16	1	119260-11370	CAP, VALVE	1						
17	1	114250-11460	GASKET, NOZZLE	1						G
18	1	114350-11470	SPACER, NOZZLE	1						
19	1	114250-11600	WASHER	2						
20	1	114250-11651	ARM, ROCKER	1						
22	2	114250-11240	SCREW, VALVE ADJUST	1						
23	2	26756-060002	NUT, LOCK M6	1						
24	1	714270-11660	ARM ASSY, ROCKER	1						
27	2	114250-11240	SCREW, VALVE ADJUST	1						
28	2	26756-060002	NUT, LOCK M6	1						
29	2	119260-11370	CAP, VALVE	1						
30	1	114250-11900	RETAINER, NOZZLE	1						
31	1	22351-040008	PIN, SPRING 4.0X 8	1						
32	1	26106-080452	BOLT, M8X 45 PLATED	1						
33	1	26226-060502	STUD, M6X 50	2						
34	1	26366-060002	NUT, M6	2						
35	1	114250-11311	GASKET, BONNET	1						G
36	1	183250-11951	BONNET ASSY, HEAD	1						
38	2	183250-03601	SHAFT, DECOMPRESSION	1						
39	2	114250-03640	SPRING, DECOMPRESSION	1						
41	2	22312-030160	PIN, PARALLEL M3X16	1						
44	1	26106-060552	BOLT, M6X 55 PLATED	2						
45	1	129100-61850	PLUG, 12	1						
46	1	114250-12211	GASKET, AIR CLEANER	1						G
47	1	26366-060002	NUT, M6	3						
48	1	114250-12010	PIPE, AIR INTAKE	1						
49	1	114250-12201	GASKET	1						G
50	1	26106-060252	BOLT, M6X 25 PLATED	1						
51	1	26226-060142	STUD, M6X 14	1						
52	1	26226-060552	STUD, M6X 55	2						
53	1	114250-13201	GASKET, MUFFLER	2						G
54	1	26216-080182	STUD, M8X 18	2						
55	1	26366-080002	NUT, M8	2						

Remarks
(G) THESE PARTS ARE SOLD BY FIG.7,
REF.NO.6.

Fig.3. CRANKSHAFT,PISTON & CAMSHAFT

3. CRANKSHAFT, PISTON & CAMSHAFT



No.	Lev.	Parts No.	Description	Q'ty						I	R
				(A)	(B)	(C)	(D)	(E)	(F)		
1	1	714780-14580	CAMSHAFT ASSY	1							
1-1	1	714780-14581	CAMSHAFT ASSY, D	1							R
(A=EZZZZZ)											
6	1	114250-14200	TAPPET	2							
7	1	114250-14260	TAPPET	1							
8	1	114250-14450	ROD ASSY, PUSH	2							
12	1	714288-21730	CRANKSHAFT ASSY	1							
20	1	103854-01221	NUT, CYLINDER HEAD	1							
21	1	114781-21590	FLYWHEEL ASSY	1							
24	2	114262-21600	GEAR, RING	1							
25	1	114250-21550	WASHER	1							
26	1	22512-040120	KEY, 4X 12	1							
27	1	714780-22720	PISTON ASSY, D	1							
29	2	714770-22500	RING SET, PISTON	1							
35	1	114250-22302	PIN, PISTON D=19	1							
36	1	22252-000190	RING, 19	2							
37	1	714250-23703	ROD ASSY, CONNECTING	1							
40	2	114250-23200	BOLT, CONNECTING ROD	2							
41	2	114250-23220	NUT	2							
42	2	114250-23250	WASHER	2							
43	2	22312-030080	PIN, PARALLEL M3X 8	2							
44	2	714250-23600	BEARING, CRANK PIN	1							
46	1	714770-28510	SHAFT ASSY, BALANCER	1							
46-1	1	714770-28511	SHAFT ASSY, BALANCER	1							R
(A=EZZZZZ)											
46-2	1	714770-28512	SHAFT ASSY, BALANCER	1							R
(A=EZZZZZ)											
51	1	24101-062024	BEARING, BALL 6202	2							
52	1	714780-22620	PISTON ASSY, 0.25 OS	1							1
54	2	714770-22540	RING SET, 0.25 OS	1							1
58	1	714780-22580	PISTON ASSY, 0.50 OS	1							1
60	2	714770-22550	RING SET, 0.50 OS	1							1
64	1	714250-23610	BEARING ASSY, 0.25	1							2
66	1	714250-23620	BEARING, 0.50 US	1							2

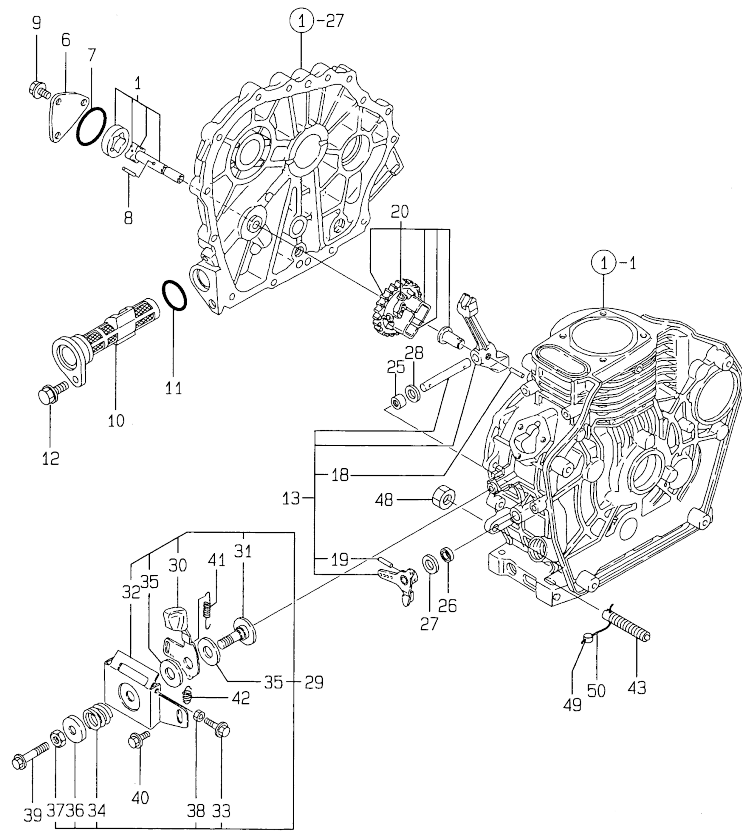
Remarks

- (1) OVER-SIZED PART.
- (2) UNDER-SIZED PART.

OCV10-M49800

Fig.4. LUB.OIL PUMP & GOVERNOR

4.LUB.OIL PUMP & GOVERNOR



Remarks
(G) THESE PARTS ARE SOLD BY FIG.7,
REF.NO.6.

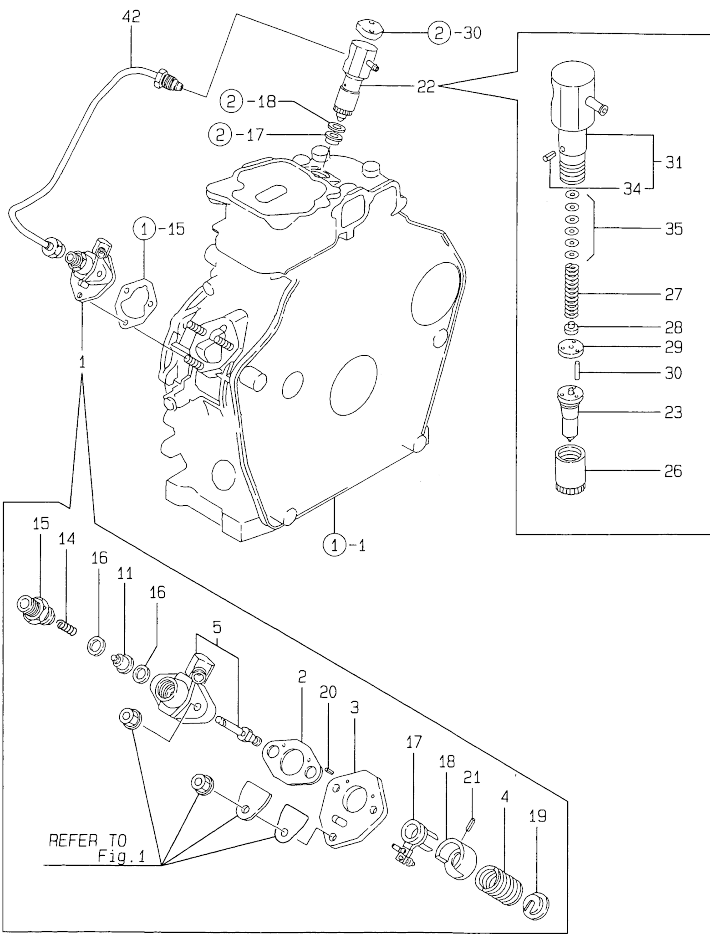
(A)=L48AE-DEGMA (D)=
(B)=L70AE-DEGMA (E)=
(C)=L100AE-DEGMA (F)=

No.	Lev.	Parts No.	Description	Q'ty						I	R
				(A)	(B)	(C)	(D)	(E)	(F)		
1	1	114250-32010	PUMP ASSY, OIL	1							
6	1	114250-32070	COVER	1							
7	1	103338-32570	O-RING	1							G
8	1	22312-030160	PIN, PARALLEL M3X16	1							
9	1	26476-060142	SCREW, TAPPING M6X14	3							
10	1	114250-35070	FILTER, OIL	1							
11	1	24341-000224	O-RING, 1AS22.4	1							G
12	1	26106-060162	BOLT, M6X 16 PLATED	1							
13	1	714250-61500	LEVER ASSY, GOVERNOR	1							
18	2	22322-030200	PIN, TAPER 3X20	1							
19	2	22322-030200	PIN, TAPER 3X20	1							
20	1	714770-61700	GOVERNOR ASSY	1							
25	1	114270-61520	BEARING, NEEDLE 8	2							
26	1	114770-61600	SEAL, OIL	1							
27	1	114770-61610	WASHER, THRUST	1							
28	1	114770-61190	WASHER	1							
29	1	183250-66500	BRACKET ASSY	1							
30	2	183250-66050	HANDLE, REGULATOR	1							
31	2	183250-66070	SHAFT, HANDLE	1							
32	2	183250-66100	BRACKET, RADIATOR	1							
33	2	114250-66440	BOLT, ADJUSTING	1							
34	2	104200-66820	SPRING	1							
35	2	104200-66830	PLATE, FRICTION	2							
36	2	104200-66850	WASHER	1							
37	2	26696-100002	NUT, LOCK M10	1							
38	2	26757-060002	NUT, LOCK M6	1							
39	1	26106-060452	BOLT, M6X 45 PLATED	1							
40	1	26476-060142	SCREW, TAPPING M6X14	1							
41	1	114770-66010	SPRING, REGULATOR	1							
42	1	114250-66200	SPRING, RETURN	1							
43	1	114770-66550	LIMITER ASSY, FUEL	1							
48	1	26696-100002	NUT, LOCK M10	1							
49	1	135210-61090	LEAD	2							
50	1	22451-060000	WIRE, 0.6	2							

N:Old $\frac{100}{100}$ New, Q:Old $\frac{100}{100}$ New, R:Old $\frac{100}{100}$ New, S:Old $\frac{100}{100}$ New, W:Add, Z:Discontinued, F:Interchangeable by set, K:Qty Change
Copyright (C) YANMAR CO., LTD. All Rights Reserved.

Fig.5. FUEL INJECTION PUMP

5.FUEL INJECTION PUMP



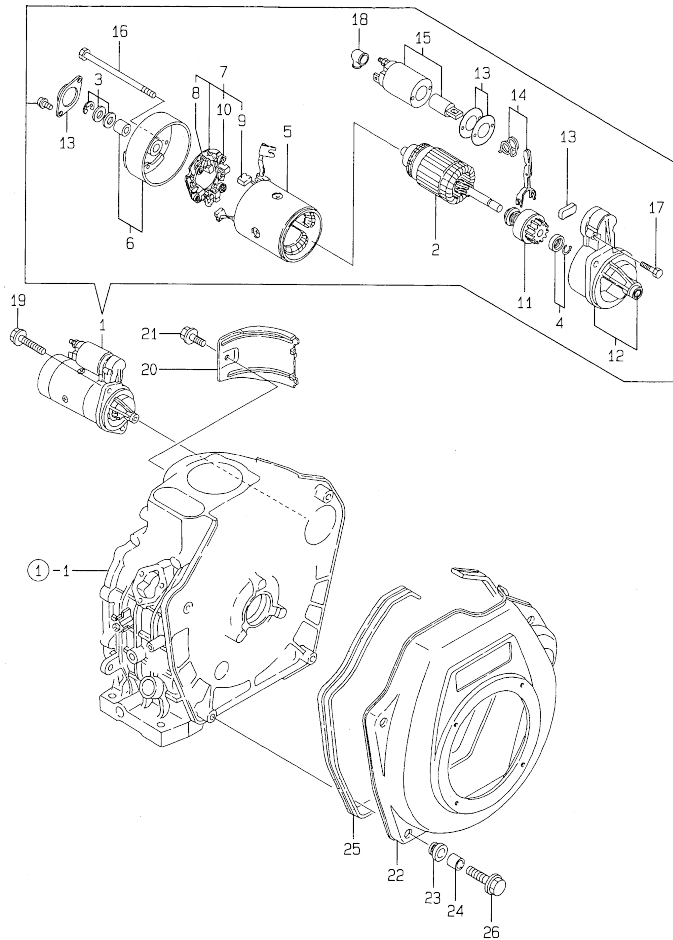
(A)=L48AE-DEGMA (D)=
 (B)=L70AE-DEGMA (E)=
 (C)=L100AE-DEGMA (F)=

No.	Lev.	Parts No.	Description	Q'ty						I	R
				(A)	(B)	(C)	(D)	(E)	(F)		
1	1	714150-51701	PUMP ASSY, INJECTION	1							
2	2	105546-51020	GASKET	1							
3	2	114250-51080	PLATE	1							
4	2	114250-51160	SPRING, PLUNGER	1							
5	2	114250-51200	BODY ASSY, PUMP	1							
11	2	114250-51300	VALVE ASSY, DELIVERY	1							
14	2	105546-51330	SPRING, DELIVERY	1							
15	2	114250-51340	HOLDER, DELIVERY	1							
16	2	124550-51350	GASKET, DELIVERY	2							
17	2	114250-51600	LEVER ASSY, CONTROL	1							
18	2	114250-51640	SEAT, SPRING A	1							
19	2	114250-51650	SEAT, SPRING B	1							
20	2	22351-020006	PIN, SPRING 2.0X 6	2							
21	2	22351-030008	PIN, SPRING 3.0X 8	1							
22	1	714250-53101	VALVE ASSY, INJECTION	1							
23	2	114250-53001	VALVE ASSY, INJECTION	1							
26	2	114250-53080	NUT, NOZZLE D16.95	1							
27	2	114250-53120	SPRING, NOZZLE	1							
28	2	114250-53130	SEAT, SPRING	1							
29	2	114250-53140	PLATE	1							
30	2	114250-53210	PIN	2							
31	2	114250-53300	HOLDER ASSY, NOZZLE	1							
34	3	114250-53331	PIN	1							
35	2	114250-53400	SHIM SET	1							
42	1	114250-59800	PIPE ASSY, INJECTION	1							

OCV10-M49800

Fig.6. STARTING MOTOR

6. STARTING MOTOR



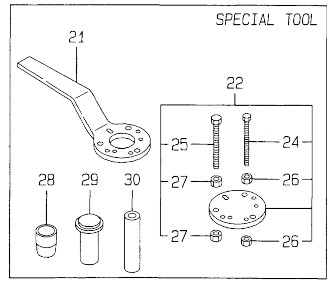
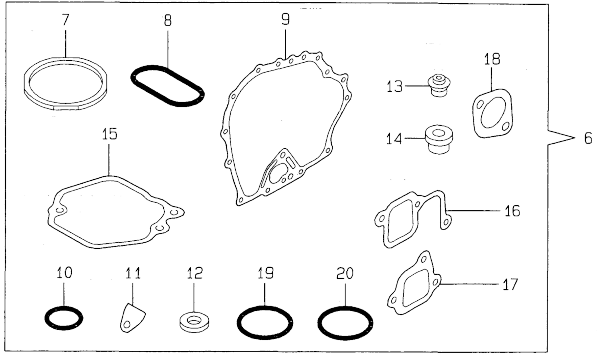
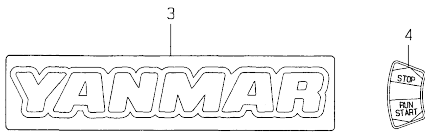
(A)=L48AE-DEGMA (D)=
 (B)=L70AE-DEGMA (E)=
 (C)=L100AE-DEGMA (F)=

No.	Lev.	Parts No.	Description	Q'ty						I	R
				(A)	(B)	(C)	(D)	(E)	(F)		
1	1	114362-77011	STARTER (S114-414A)	1							
2	2	114381-77110	ARMATURE	1							
3	2	X2114811000	WASHER KIT, THRUST	1							
4	2	X2114715500	STOPPER SET, PINION	1							
5	2	114381-77130	COIL ASSY, FIELD	1							
6	2	114381-77140	COVER, REAR	1							
7	2	114371-77160	HOLDER ASSY, BRUSH	1							
8	3	114371-79040	BRUSH (-)	2							
9	3	114371-79050	BRUSH (+)	1							
10	3	114371-79060	SPRING, BRUSH	4							
11	2	X2114455080	PINION ASSY	1							
12	2	114381-77150	HOUSING ASSY, GEAR	1							
13	2	114371-77170	COVER KIT, DUST	1							
14	2	X2114560130	LEVER KIT, SHIFT	1							
15	2	X2114275010	SWITCH ASSY, MAGNET	1							
16	2	X2114680050	BOLT, THROUGH	2							
17	2	114371-79070	BOLT M 6X 37	2							
18	2	X2114274200	COVER, TERMINAL	1							
19	1	26106-100302	BOLT, M10X 30 PLATED	2							
20	1	114250-45211	COVER	1							
21	1	26476-060142	SCREW, TAPPING M6X14	1							
22	1	114788-45100	CASE, COOLING FAN	1							
23	1	114250-45300	ABSORBER	4							
24	1	114250-45310	COLLAR	4							
25	1	114250-45330	SEAL, FAN CASE L=875	1							
26	1	114370-45350	BOLT	4							

N:Old $\frac{New}{100}$ New, Q:Old $\frac{New}{100}$ New, R:Old $\frac{New}{100}$ New, S:Old $\frac{New}{100}$ New, W:Add, Z:Discontinued, F:Interchangeable by set, K:Q'ty Change
 Copyright (C) YANMAR CO., LTD. All Rights Reserved.

Fig.7. LABEL & GASKET SET

7. LABEL & GASKET SET



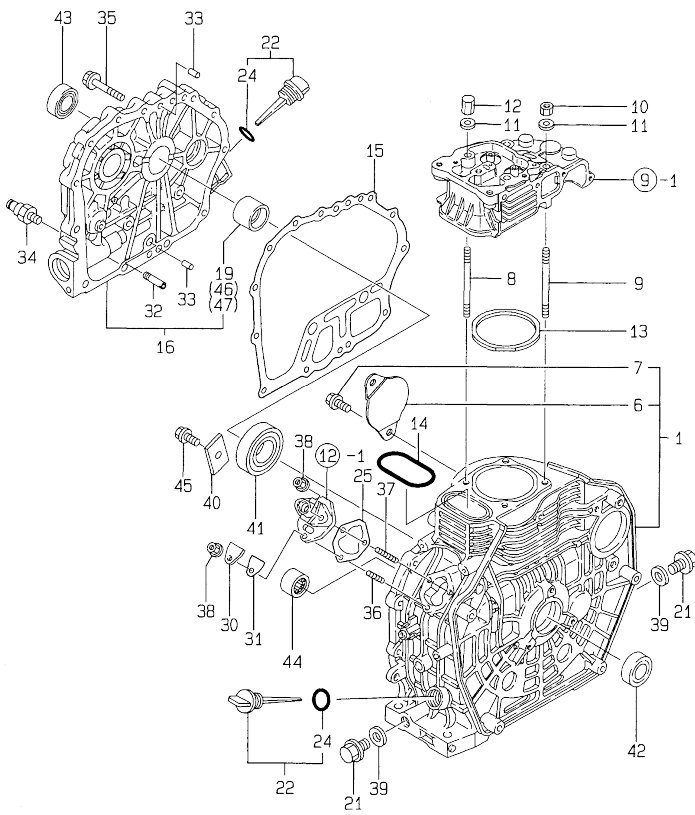
No.	Lev.	Parts No.	Description	Q'ty						I	R	
				(A)	(B)	(C)	(D)	(E)	(F)			
3	1	114250-07111	LABEL, YANMAR	1								
4	1	183250-07230	LABEL, OPERATION	1								
6	1	714770-92601	GASKET SET	1								1
7	2	114770-01340	GASKET, HEAD	1								
8	2	114250-01380	O-RING	1								
9	2	114250-01412	GASKET, CRANK CASE	1								
10	2	24311-000180	O-RING, 1AP18.0	2								
11	2	114250-01841	GASKET	1								
12	2	22190-160002	WASHER, SEAL 16	2								
13	2	114250-11340	SEAL, VALVE STEM	2								
14	2	114250-11460	GASKET, NOZZLE	1								
15	2	114250-11311	GASKET, BONNET	1								
16	2	114250-12201	GASKET	1								
17	2	114250-12211	GASKET, AIR CLEANER	1								
18	2	114250-13201	GASKET, MUFFLER	2								
19	2	103338-32570	O-RING	1								
20	2	24341-000224	O-RING, 1AS22.4	1								
21	1	114250-92101	F.W. LOCKING HANDLE	1								1
22	1	114250-92130	REMOVER, FLYWHEEL	1								1
24	2	26116-060454	BOLT M 6X 45 PLATED	4								1
25	2	26116-080454	BOLT, M8X 45 PLATED	3								1
26	2	26716-060002	NUT, M6	8								1
27	2	26716-080002	NUT, M8	6								1
28	1	114250-92301	GUIDE	1								1
29	1	114250-92311	INSTALLING TOOL	1								1
30	1	114250-92350	INSTALLING TOOL	1								1

Remarks
(1) OPTIONAL PARTS.

OCV10-M49800

Fig.8. CYLINDER BLOCK

8. CYLINDER BLOCK



No.	Lev.	Parts No.	Description	Q'ty						I	R
				(A)	(B)	(C)	(D)	(E)	(F)		
1	1	714871-01560	BLOCK ASSY, CYLINDER	1							
6	2	114350-01700	COVER	1							
7	2	26106-100122	BOLT, M10X 12 PLATED	2							
8	1	114350-01200	BOLT, HEAD	2							
9	1	114350-01210	BOLT, HEAD	2							
10	1	114350-01220	NUT, CYLINDER HEAD	2							
11	1	105225-01240	WASHER	4							
12	1	114350-01250	NUT, CYLINDER HEAD	2							
13	1	114870-01340	GASKET, HEAD	1							G
14	1	114350-01380	O-RING	1							G
15	1	114350-01412	GASKET, CRANK CASE	1							G
16	1	114368-01453	COVER, CRANK CASE	1							
19	2	114350-02100	BEARING, MAIN	1							1
21	1	105425-01690	PLUG, 16	2							
22	1	160910-01740	CAP ASSY	2							
24	2	24311-000180	O-RING, 1AP18.0	2							G
25	1	114250-01800	SHIM SET	1							
30	1	114250-01830	COVER	1							
31	1	114250-01841	GASKET	1							G
32	1	114250-35150	PIPE, OIL INLET	1							
33	1	114270-01600	PIN, M8X12	2							
34	1	183250-39450	SWITCH, 1.0KG	1							
35	1	26106-080352	BOLT, M8X 35 PLATED	15							
36	1	26226-060182	STUD, M6X 18	1							
37	1	26226-060222	STUD, M6X 22	2							
38	1	26366-060002	NUT, M6	3							
39	1	22190-160002	WASHER, SEAL 16	2							G
40	1	114250-02030	RETAINER, BEARING	1							
41	1	114350-02113	BEARING, B35-135G3C3	1							
42	1	160110-02220	SEAL, OIL	1							
43	1	160110-02220	SEAL, OIL	1							
44	1	24162-152112	BEARING, 152112	1							
45	1	26106-080122	BOLT, M8X 12 PLATED	1							
46	1	114350-02200	BEARING, 0.25 US	1							2
47	1	114350-02210	BEARING, 0.50 US	1							2

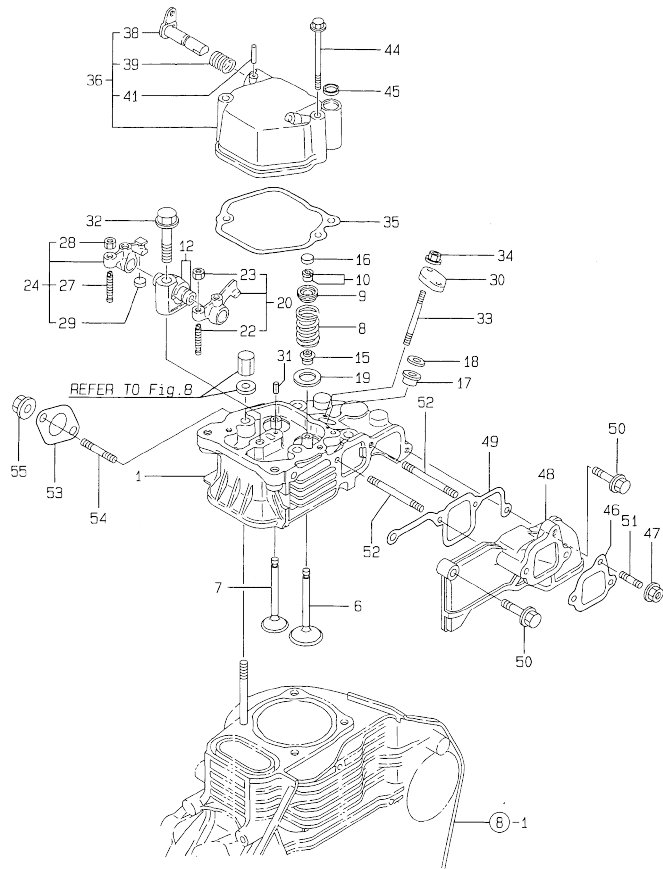
Remarks

- (1) REPAIR PART.
- (2) UNDER-SIZED PART.
- (G) THESE PARTS ARE SOLD BY FIG.14, REF.NO.6.

OCV10-M49800

Fig.9. CYLINDER HEAD & BONNET

9. CYLINDER HEAD & BONNET



(A)=L48AE-DEGMA (D)=
(B)=L70AE-DEGMA (E)=
(C)=L100AE-DEGMA (F)=

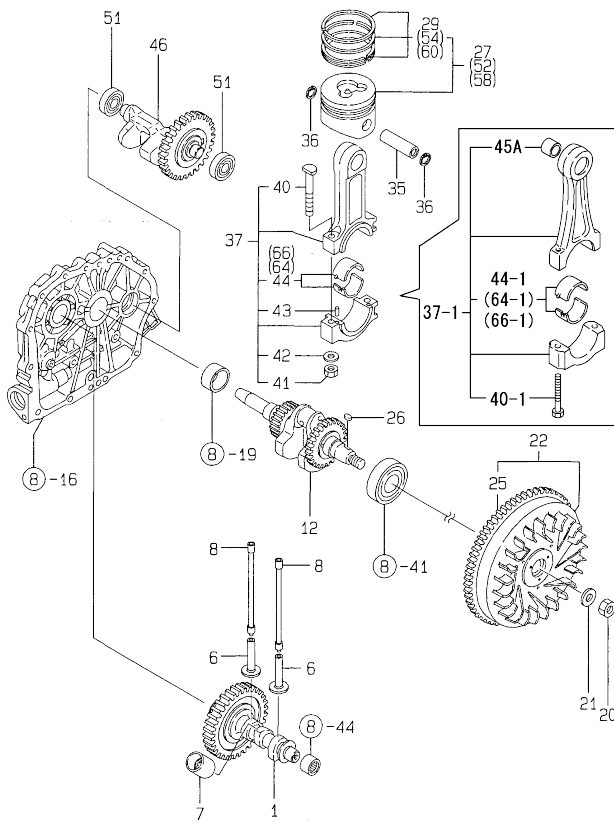
No.	Lev.	Parts No.	Description	Qty						I	R
				(A)	(B)	(C)	(D)	(E)	(F)		
1	1	114870-11021	HEAD ASSY, CYLINDER		1						
6	1	114350-11101	VALVE, INTAKE		1						
7	1	114350-11113	VALVE, EXHAUST		1						
8	1	114350-11120	SPRING, VALVE		2						
9	1	101158-11180	RETAINER, SPRING		2						
10	1	27310-060001	COTTER, 6		2						
12	1	114250-11290	SUPPORT, ROCKER ARM		1						
15	1	114350-11340	SEAL, VALVE STEM		2						G
16	1	105010-11490	CAP, VALVE		1						
17	1	114250-11460	GASKET, NOZZLE		1						G
18	1	114350-11470	SPACER, NOZZLE		1						
19	1	114250-11600	WASHER		2						
20	1	114250-11651	ARM, ROCKER		1						
22	2	114250-11240	SCREW, VALVE ADJUST		1						
23	2	26756-060002	NUT, LOCK M6		1						
24	1	714370-11660	ARM ASSY, ROCKER		1						
27	2	114250-11240	SCREW, VALVE ADJUST		1						
28	2	26756-060002	NUT, LOCK M6		1						
29	2	105010-11490	CAP, VALVE		1						
30	1	114250-11900	RETAINER, NOZZLE		1						
31	1	22351-040008	PIN, SPRING 4.0X 8		1						
32	1	26106-080452	BOLT, M8X 45 PLATED		1						
33	1	26226-060502	STUD, M6X 50		2						
34	1	26366-060002	NUT, M6		2						
35	1	114250-11311	GASKET, BONNET		1						G
36	1	183250-11951	BONNET ASSY, HEAD		1						
38	2	183250-03601	SHAFT, DECOMPRESSION		1						
39	2	114250-03640	SPRING, DECOMPRESSION		1						
41	2	22312-030160	PIN, PARALLEL M3X16		1						
44	1	26106-060552	BOLT, M6X 55 PLATED		1						
45	1	129100-61850	PLUG, 12		1						
46	1	114250-12211	GASKET, AIR CLEANER		1						G
47	1	26366-060002	NUT, M6		3						
48	1	114350-12011	PIPE, AIR INTAKE		1						
49	1	114350-12202	GASKET, AIR INTAKE		1						G
50	1	26106-060252	BOLT, M6X 25 PLATED		2						
51	1	26226-060142	STUD, M6X 14		1						
52	1	26226-060552	STUD, M6X 55		2						
53	1	114250-13201	GASKET, MUFFLER		2						G
54	1	26216-080182	STUD, M8X 18		2						
55	1	26366-080002	NUT, M8		2						

Remarks
(G) THESE PARTS ARE SOLD BY FIG.14,
REF.NO.6.

N:Old $\frac{100}{100}$ New, Q:Old $\frac{100}{100}$ New, R:Old $\frac{100}{100}$ New, S:Old $\frac{100}{100}$ New, W:Add, Z:Discontinued, F:Interchangeable by set, K:Qty Change
Copyright (C) YANMAR CO., LTD. All Rights Reserved.

Fig.10. CRANKSHAFT,PISTON & CAMSHAFT

10. CRANKSHAFT, PISTON & CAMSHAFT



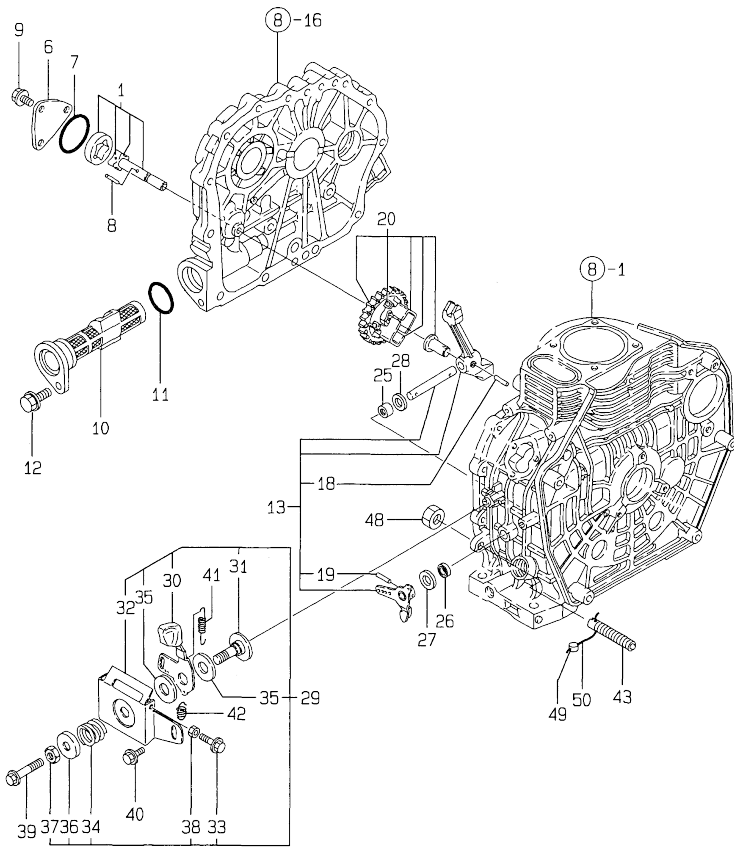
Remarks
 (1) OVER-SIZED PART.
 (2) UNDER-SIZED PART.
 (3) REF.NO.12-1,37-1 & 46-1
 INTERCHANGEABLE BY SET.

No.	Lev.	Parts No.	Description	Q'ty						I	R
				(A)	(B)	(C)	(D)	(E)	(F)		
1	1	714880-14580	CAMSHAFT ASSY		1						
6	1	114250-14200	TAPPET		2						
7	1	114250-14260	TAPPET		1						
8	1	114350-14450	ROD ASSY, PUSH		2						
12	1	714388-21730	CRANKSHAFT ASSY		1						
12-1	1	714368-21740	CRANKSHAFT ASSY		1						F 3
				(B**1998.11.)							
20	1	103854-01221	NUT, CYLINDER HEAD		1						
21	1	114250-21550	WASHER		1						
22	1	114881-21590	FLYWHEEL ASSY		1						
25	2	114362-21600	GEAR, RING		1						
26	1	22512-040120	KEY, 4X 12		1						
27	1	714880-22720	PISTON ASSY, D		1						
29	2	714870-22500	RING SET, PISTON		1						
35	1	114350-22301	PIN, PISTON D=21		1						
36	1	22252-000210	RING, 21		2						
37	1	714350-23704	ROD ASSY, CONNECTING		1						
37-1	1	714380-23700	ROD ASSY, CONNECTING		1						F 3
				(B**1998.11.)							
40	2	114250-23200	BOLT, CONNECTING ROD		2						
40-1	2	118200-23200	BOLT, CONNECTING ROD		2						S
				(B**1998.11.)							
41	2	114250-23220	NUT		2						Z
				(B**1998.11.)							
42	2	114250-23250	WASHER		2						Z
				(B**1998.11.)							
43	2	22312-030080	PIN, PARALLEL M3X 8		2						Z
				(B**1998.11.)							
44	2	714350-23600	BEARING, CRANK PIN		1						
44-1	2	714380-23600	BEARING, CRANK PIN		1						S
				(B**1998.11.)							
45A	2	114380-23100	BEARING, PISTON PIN		1						W
				(B**1998.11.)							
46	1	714350-28520	SHAFT ASSY, BALANCER		1						
46-1	1	714870-28510	SHAFT ASSY, BALANCER		1						F 3
				(B**1998.11.)							
51	1	24101-062024	BEARING, BALL 6202		2						
52	1	714880-22620	PISTON ASSY, 0.25 OS		1						1
54	2	714870-22540	RING SET, 0.25 OS		1						1
58	1	714880-22580	PISTON ASSY, 0.50 OS		1						1
60	2	714870-22550	RING SET, 0.50 OS		1						1
64	1	714350-23610	BEARING ASSY, 0.25		1						2
64-1	1	714380-23610	METAL ASSY, 0.25		1						S 2
				(B**1998.11.)							
66	1	714350-23620	BEARING, 0.50 US		1						2
66-1	1	714380-23620	BEARING, 0.50 US		1						S 2
				(B**1998.11.)							

OCV10-M49800

Fig.11. LUB.OIL PUMP & GOVERNOR

11.LUB.OIL PUMP & GOVERNOR



Remarks
(G) THESE PARTS ARE SOLD BY FIG.14,
REF.NO.6.

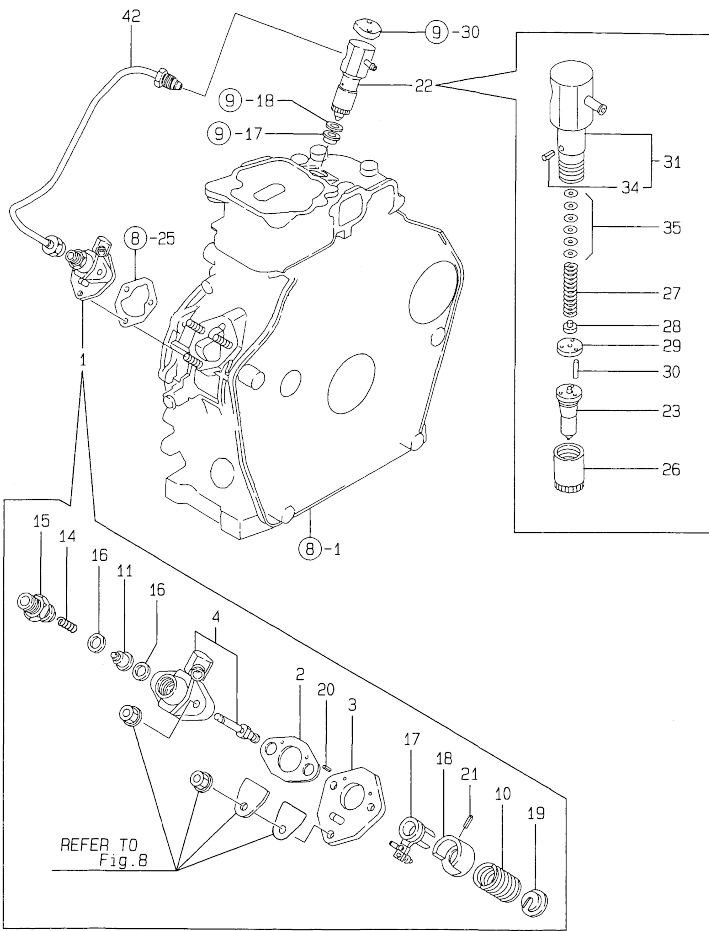
(A)=L48AE-DEGMA (D)=
(B)=L70AE-DEGMA (E)=
(C)=L100AE-DEGMA (F)=

No.	Lev.	Parts No.	Description	Q'ty						I	R
				(A)	(B)	(C)	(D)	(E)	(F)		
1	1	114250-32010	PUMP ASSY, OIL	1							
6	1	114250-32070	COVER	1							
7	1	103338-32570	O-RING	1							G
8	1	22312-030160	PIN, PARALLEL M3X16	1							
9	1	26476-060142	SCREW, TAPPING M6X14	3							
10	1	114250-35070	FILTER, OIL	1							
11	1	24341-000224	O-RING, 1AS22.4	1							
12	1	26106-060162	BOLT, M6X 16 PLATED	1							
13	1	714350-61500	LEVER ASSY, GOVERNOR	1							
18	2	22322-030200	PIN, TAPER 3X20	1							
19	2	22322-030200	PIN, TAPER 3X20	1							
20	1	714770-61700	GOVERNOR ASSY	1							
25	1	114270-61520	BEARING, NEEDLE 8	2							
26	1	114770-61600	SEAL, OIL	1							
27	1	114770-61610	WASHER, THRUST	1							
28	1	114770-61190	WASHER	1							
29	1	183250-66500	BRACKET ASSY	1							
30	2	183250-66050	HANDLE, REGULATOR	1							
31	2	183250-66070	SHAFT, HANDLE	1							
32	2	183250-66100	BRACKET, RADIATOR	1							
33	2	114250-66440	BOLT, ADJUSTING	1							
34	2	104200-66820	SPRING	1							
35	2	104200-66830	PLATE, FRICTION	2							
36	2	104200-66850	WASHER	1							
37	2	26696-100002	NUT, LOCK M10	1							
38	2	26757-060002	NUT, LOCK M6	1							
39	1	26106-060452	BOLT, M6X 45 PLATED	1							
40	1	26476-060142	SCREW, TAPPING M6X14	1							
41	1	114870-66010	SPRING, REGULATOR	1							
42	1	114250-66200	SPRING, RETURN	1							
43	1	114250-66550	LIMITER ASSY, FUEL	1							
48	1	26696-100002	NUT, LOCK M10	1							
49	1	135210-61090	LEAD	2							
50	1	22451-060000	WIRE, 0.6	2							

N:Old $\frac{100}{100}$ New, Q:Old $\frac{100}{100}$ New, R:Old $\frac{100}{100}$ New, S:Old $\frac{100}{100}$ New, W:Add, Z:Discontinued, F:Interchangeable by set, K:Q'ty Change
Copyright (C) YANMAR CO., LTD. All Rights Reserved.

Fig.12. FUEL INJECTION PUMP

12.FUEL INJECTION PUMP

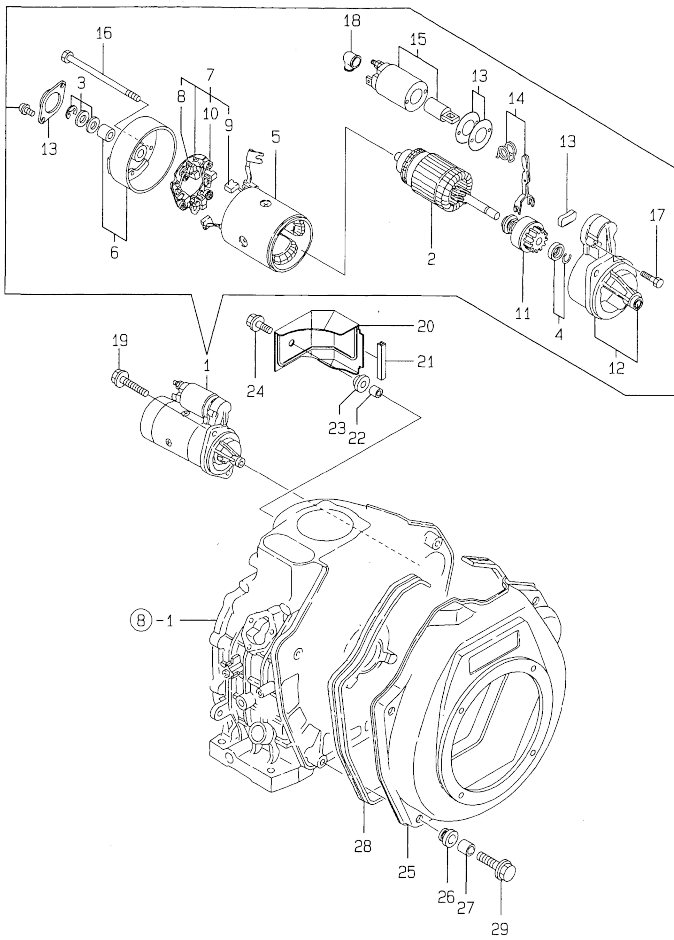


(A)=L48AE-DEGMA (D)=
 (B)=L70AE-DEGMA (E)=
 (C)=L100AE-DEGMA (F)=

No.	Lev.	Parts No.	Description	Q'ty						I	R
				(A)	(B)	(C)	(D)	(E)	(F)		
1	1	783350-51701	PUMP ASSY, INJECTION	1							
2	2	105546-51020	GASKET	1							
3	2	114250-51080	PLATE	1							
4	2	183350-51200	BODY ASSY, PUMP	1							
10	2	114250-51160	SPRING, PLUNGER	1							
11	2	114250-51300	VALVE ASSY, DELIVERY	1							
14	2	105546-51330	SPRING, DELIVERY	1							
15	2	114250-51340	HOLDER, DELIVERY	1							
16	2	124550-51350	GASKET, DELIVERY	2							
17	2	114250-51600	LEVER ASSY, CONTROL	1							
18	2	114250-51640	SEAT, SPRING A	1							
19	2	114250-51650	SEAT, SPRING B	1							
20	2	22351-020006	PIN, SPRING 2.0X 6	2							
21	2	22351-030008	PIN, SPRING 3.0X 8	1							
22	1	714870-53100	VALVE ASSY, INJECTION	1							
23	2	114870-53000	VALVE ASSY, INJECTION	1							
26	2	114250-53080	NUT, NOZZLE D16.95	1							
27	2	114250-53120	SPRING, NOZZLE	1							
28	2	114250-53130	SEAT, SPRING	1							
29	2	114250-53140	PLATE	1							
30	2	114250-53210	PIN	2							
31	2	114250-53300	HOLDER ASSY, NOZZLE	1							
34	3	114250-53331	PIN	1							
35	2	114250-53400	SHIM SET	1							
42	1	114350-59800	PIPE ASSY, INJECTION	1							

Fig.13. STARTING MOTOR

13. STARTING MOTOR



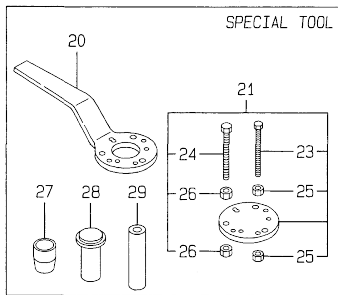
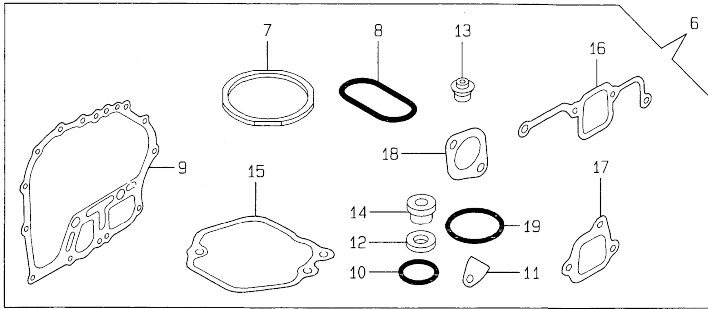
(A)=L48AE-DEGMA (D)=
 (B)=L70AE-DEGMA (E)=
 (C)=L100AE-DEGMA (F)=

No.	Lev.	Parts No.	Description	Q'ty						I	R
				(A)	(B)	(C)	(D)	(E)	(F)		
1	1	114362-77011	STARTER (S114-414A)		1						
2	2	114381-77110	ARMATURE		1						
3	2	X2114811000	WASHER KIT, THRUST		1						
4	2	X2114715500	STOPPER SET, PINION		1						
5	2	114381-77130	COIL ASSY, FIELD		1						
6	2	114381-77140	COVER, REAR		1						
7	2	114371-77160	HOLDER ASSY, BRUSH		1						
8	3	114371-79040	BRUSH (-)		2						
9	3	114371-79050	BRUSH (+)		1						
10	3	114371-79060	SPRING, BRUSH		4						
11	2	X2114455080	PINION ASSY		1						
12	2	114381-77150	HOUSING ASSY, GEAR		1						
13	2	114371-77170	COVER KIT, DUST		1						
14	2	X2114560130	LEVER KIT, SHIFT		1						
15	2	X2114275010	SWITCH ASSY, MAGNET		1						
16	2	X2114680050	BOLT, THROUGH		2						
17	2	114371-79070	BOLT M 6X 37		2						
18	2	X2114274200	COVER, TERMINAL		1						
19	1	26106-100302	BOLT, M10X 30 PLATED		2						
20	1	114870-45201	COVER		1						
21	1	114350-45320	RUBBER, SEAL		1						
22	1	114350-45340	COLLAR		1						
23	1	183720-55210	GROMMET		1						
24	1	26476-060202	SCREW, TAPPING M6X20		1						
25	1	114360-45101	CASE, COOLING FAN		1						
26	1	114250-45300	ABSORBER		4						
27	1	114250-45310	COLLAR		4						
28	1	114250-45330	SEAL, FAN CASE L=875		1						
29	1	114370-45350	BOLT		4						

OCV10-M49800

Fig.14. LABEL & GASKET SET

14.LABEL & GASKET SET



No.	Lev.	Parts No.	Description	Q'ty						I	R	
				(A)	(B)	(C)	(D)	(E)	(F)			
3	1	183250-07230	LABEL, OPERATION		1							
4	1	114250-07111	LABEL, YANMAR		1							
6	1	714888-92600	GASKET SET		1							1
7	2	114870-01340	GASKET, HEAD		1							
8	2	114350-01380	O-RING		1							
9	2	114350-01412	GASKET, CRANK CASE		1							
10	2	24311-000180	O-RING, 1AP18.0		2							
11	2	114250-01841	GASKET		1							
12	2	22190-160002	WASHER, SEAL 16		2							
13	2	114350-11340	SEAL, VALVE STEM		2							
14	2	114250-11460	GASKET, NOZZLE		1							
15	2	114250-11311	GASKET, BONNET		1							
16	2	114350-12202	GASKET, AIR INTAKE		1							
17	2	114250-12211	GASKET, AIR CLEANER		1							
18	2	114250-13201	GASKET, MUFFLER		2							
19	2	103338-32570	O-RING		1							
20	1	114250-92101	F.W. LOCKING HANDLE		1							1
21	1	114250-92130	REMOVER, FLYWHEEL		1							1
23	2	26116-060454	BOLT M 6X 45 PLATED		4							1
24	2	26116-080454	BOLT, M8X 45 PLATED		3							1
25	2	26716-060002	NUT, M6		8							1
26	2	26716-080002	NUT, M8		6							1
27	1	114368-92300	GUIDE, OIL SEAL		1							1
28	1	114350-92311	INSTALLING TOOL		1							1
29	1	114350-92350	INSTALLING TOOL		1							1

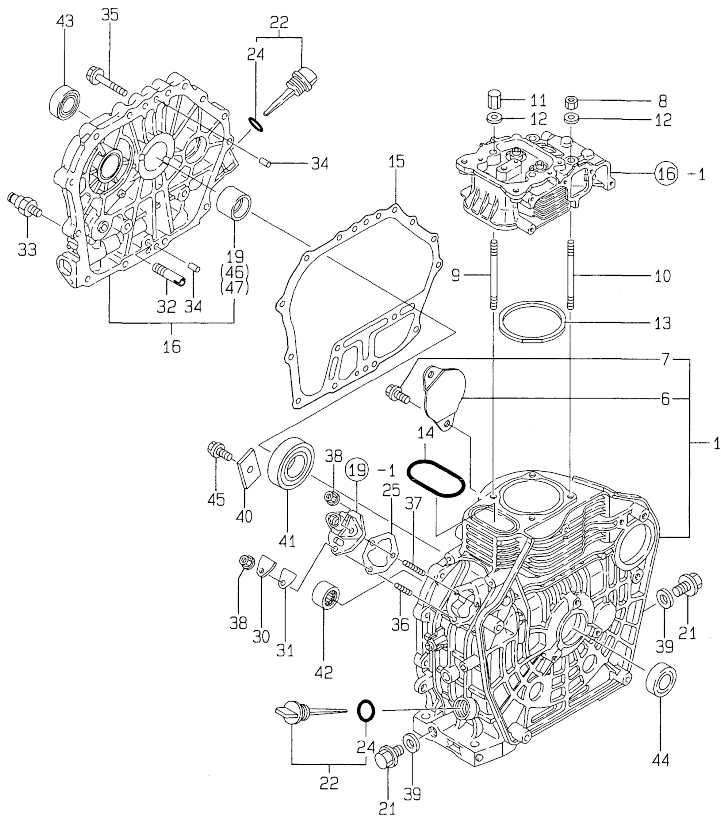
Remarks
(1) OPTIONAL PARTS.

N:Old $\frac{100}{100}$ New, Q:Old $\frac{100}{100}$ New, R:Old $\frac{100}{100}$ New, S:Old $\frac{100}{100}$ New, W:Add, Z:Discontinued, F:Interchangeable by set, K:Q'ty Change
Copyright (C) YANMAR CO., LTD. All Rights Reserved.

OCV10-M49800

Fig.15. CYLINDER BLOCK

15. CYLINDER BLOCK



(A)=L48AE-DEGMA (D)=
 (B)=L70AE-DEGMA (E)=
 (C)=L100AE-DEGMA (F)=

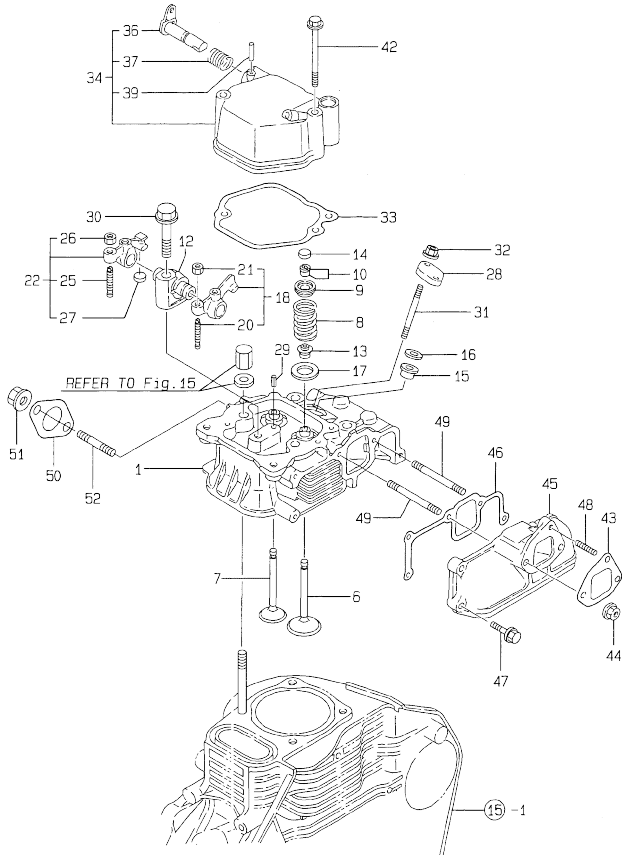
No.	Lev.	Parts No.	Description	Q'ty						I	R	
				(A)	(B)	(C)	(D)	(E)	(F)			
1	1	714970-01560	BLOCK ASSY, CYLINDER									
6	2	114350-01700	COVER									
7	2	26106-100122	BOLT, M10X 12 PLATED									
8	1	105025-01220	NUT, CYLINDER HEAD									
9	1	114650-01230	BOLT, HEAD									
10	1	114650-01240	BOLT, HEAD									
11	1	114650-01250	NUT, CYLINDER HEAD									
12	1	114650-01260	WASHER									
13	1	114970-01340	GASKET, HEAD									G
14	1	114650-01380	O-RING									G
15	1	114650-01412	GASKET, CRANK CASE									G
16	1	114660-01471	COVER, CRANK CASE									
19	2	114650-02100	BEARING, MAIN									1
21	1	105425-01690	PLUG, 16									
22	1	160910-01740	CAP ASSY									
24	2	24311-000180	O-RING, 1AP18.0									G
25	1	114250-01800	SHIM SET									
30	1	114250-01830	COVER									
31	1	114250-01841	GASKET									G
32	1	114250-35150	PIPE, OIL INLET									
33	1	183250-39450	SWITCH, 1.0KG									
34	1	114270-01600	PIN, M8X12									
35	1	26106-080352	BOLT, M8X 35 PLATED									
36	1	26226-060182	STUD, M6X 18									
37	1	26226-060222	STUD, M6X 22									
38	1	26366-060002	NUT, M6									
39	1	22190-160002	WASHER, SEAL 16									G
40	1	114250-02030	RETAINER, BEARING									
41	1	114650-02150	BEARING, HR6308G3C3									
42	1	24162-152112	BEARING, 152112									
43	1	24423-355008	SEAL, OIL TC355008									
44	1	24423-355008	SEAL, OIL TC355008									
45	1	26106-080122	BOLT, M8X 12 PLATED									
46	1	114650-02200	BEARING, 0.25 US									2
47	1	114650-02210	BEARING, 0.50 US									2

Remarks

- (1) REPAIR PART.
- (2) UNDER-SIZED PART.
- (G) THESE PARTS ARE SOLD BY FIG.21, REF.NO.6.

Fig.16. CYLINDER HEAD & BONNET

16. CYLINDER HEAD & BONNET



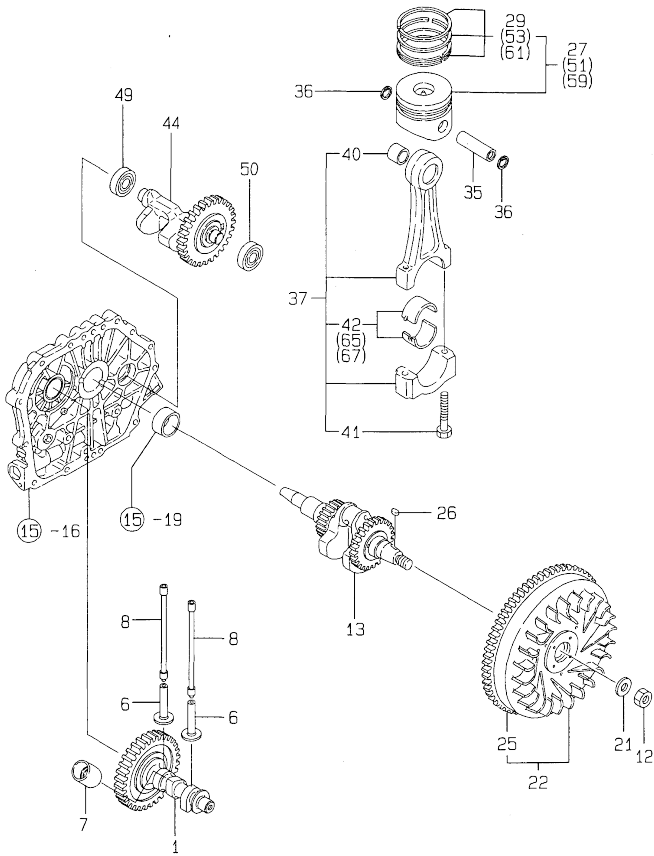
Remarks
(G) THESE PARTS ARE SOLD BY FIG.21,
REF.NO.6.

(A)=L48AE-DEGMA (D)=
(B)=L70AE-DEGMA (E)=
(C)=L100AE-DEGMA (F)=

No.	Lev.	Parts No.	Description	Q'ty						I	R	
				(A)	(B)	(C)	(D)	(E)	(F)			
1	1	114650-11010	HEAD ASSY, CYLINDER									
6	1	114650-11100	VALVE, INTAKE									
7	1	114654-11110	VALVE, EXHAUST									
8	1	114650-11121	SPRING, VALVE									
9	1	119620-11180	RETAINER, SPRING									
10	1	27310-070001	COTTER, 7									
12	1	114650-11261	SUPPORT, ROCKER ARM									
13	1	114650-11340	SEAL, VALVE STEM									G
14	1	104211-11370	CAP, VALVE									
15	1	114250-11460	GASKET, NOZZLE									G
16	1	114350-11470	SPACER, NOZZLE									
17	1	114650-11600	WASHER									
18	1	114650-11652	ARM, ROCKER									
20	2	114250-11240	SCREW, VALVE ADJUST									
21	2	26756-060002	NUT, LOCK M6									
22	1	714670-11660	ARM ASSY, ROCKER									
25	2	114250-11240	SCREW, VALVE ADJUST									
26	2	26756-060002	NUT, LOCK M6									
27	2	104211-11370	CAP, VALVE									
28	1	114250-11900	RETAINER, NOZZLE									
29	1	22351-040008	PIN, SPRING 4.0X 8									
30	1	26106-100552	BOLT, M10X 55 PLATED									
31	1	26226-060502	STUD, M6X 50									
32	1	26366-060002	NUT, M6									
33	1	114650-11311	GASKET, BONNET									G
34	1	183650-11951	BONNET ASSY, HEAD									
36	2	183250-03601	SHAFT, DECOMPRESSION									
37	2	114250-03640	SPRING, DECOMPRESSION									
39	2	22312-030160	PIN, PARALLEL M3X16									
42	1	26106-060702	BOLT, M6X 70 PLATED									
43	1	114650-12211	GASKET, AIR CLEANER									G
44	1	26366-060002	NUT, M6									
45	1	114650-12020	PIPE, AIR INTAKE									
46	1	114650-12301	GASKET									G
47	1	26106-060252	BOLT, M6X 25 PLATED									
48	1	26226-060142	STUD, M6X 14									
49	1	26226-060752	STUD, M6X 75									
50	1	114650-13201	GASKET (NON-ASB.)									G
51	1	26366-080002	NUT, M8									
52	1	26226-080202	STUD, M8X 20									

Fig.17. CRANKSHAFT,PISTON & CAMSHAFT

17. CRANKSHAFT, PISTON & CAMSHAFT



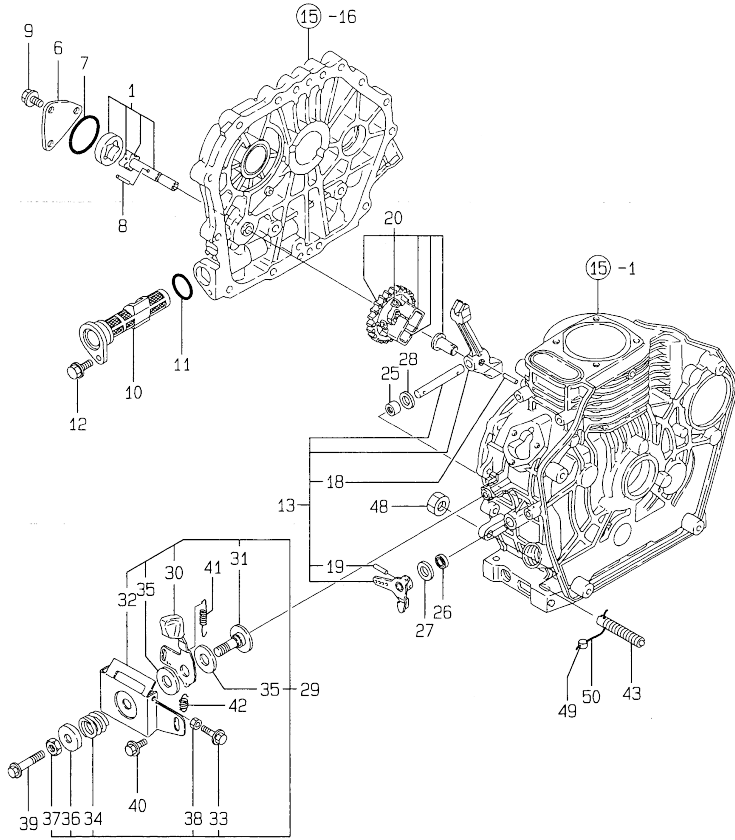
No.	Lev.	Parts No.	Description	Q'ty						I	R	
				(A)	(B)	(C)	(D)	(E)	(F)			
1	1	714689-14580	CAMSHAFT ASSY									
6	1	114650-14200	TAPPET									
7	1	114250-14260	TAPPET									
8	1	114650-14401	ROD ASSY, PUSH									
12	1	122710-01220	NUT, CYLINDER HEAD									
13	1	714689-21730	CRANKSHAFT ASSY									
21	1	114650-21551	WASHER									
22	1	114662-21592	FLYWHEEL ASSY									
25	2	114662-21601	GEAR, RING									
26	1	22512-050140	KEY, 5X 14									
27	1	714980-22720	PISTON ASSY, D									
29	2	714970-22500	RING SET, PISTON									
35	1	114650-22300	PIN, PISTON D=23									
36	1	129792-22400	CIRCLIP, 23									
37	1	714650-23700	ROD ASSY, CONNECTING									
40	2	124060-23100	BEARING, PISTON PIN									
41	2	104200-23201	BOLT, CONNECTING ROD									
42	2	714650-23600	BEARING, CRANK PIN									
44	1	714970-28511	SHAFT ASSY, BALANCER									
49	1	24101-062034	BEARING, BALL 6203									
50	1	24101-063034	BEARING, BALL 6303									
51	1	714980-22620	PISTON ASSY, 0.25 OS									1
53	2	714970-22540	RING SET, 0.25 OS									1
59	1	714980-22580	PISTON ASSY, 0.50 OS									1
61	2	714970-22550	RING SET, 0.50 OS									1
65	1	714650-23610	BEARING ASSY, 0.25									2
67	1	714650-23620	BEARING, 0.50 US									2

Remarks
 (1) OVER-SIZED PART.
 (2) UNDER-SIZED PART.

OCV10-M49800

Fig.18. LUB.OIL PUMP & GOVERNOR

18.LUB.OIL PUMP & GOVERNOR



Remarks

(G) THESE PARTS ARE SOLD BY FIG.21,
REF.NO.6.

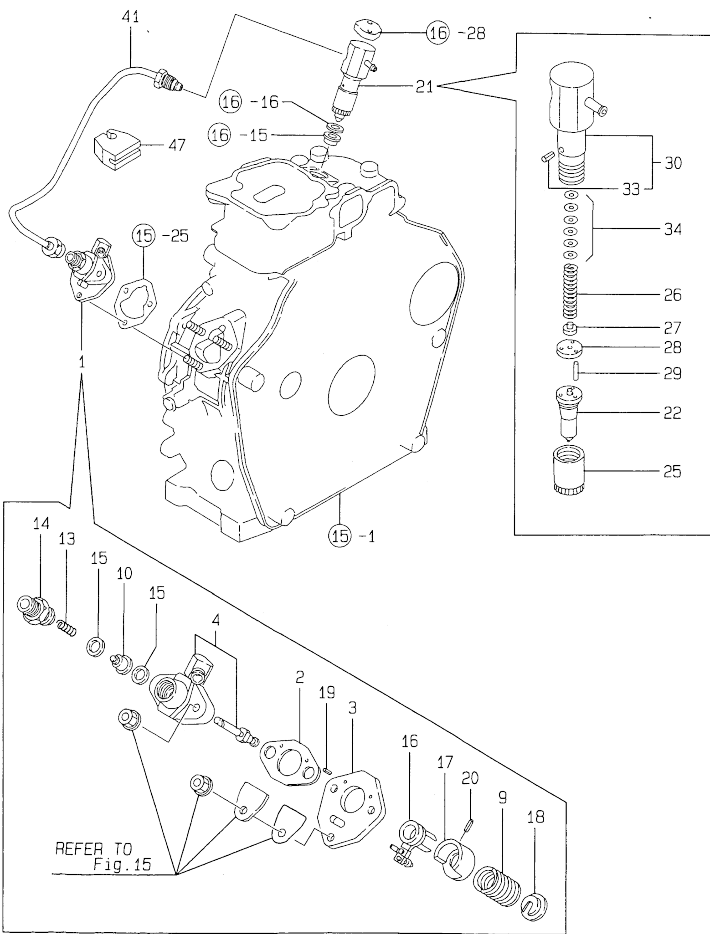
(A)=L48AE-DEGMA (D)=
(B)=L70AE-DEGMA (E)=
(C)=L100AE-DEGMA (F)=

No.	Lev.	Parts No.	Description	Q'ty						I	R	
				(A)	(B)	(C)	(D)	(E)	(F)			
1	1	114650-32010	PUMP ASSY, OIL									
6	1	114250-32070	COVER									
7	1	103338-32570	O-RING									G
8	1	22312-030160	PIN, PARALLEL M3X16									
9	1	26476-060142	SCREW, TAPPING M6X14									
10	1	114250-35070	FILTER, OIL									
11	1	24341-000224	O-RING, 1AS22.4									
12	1	26106-060162	BOLT, M6X 16 PLATED									
13	1	714650-61500	LEVER ASSY, GOVERNOR									
18	2	22322-030200	PIN, TAPER 3X20									
19	2	22322-030200	PIN, TAPER 3X20									
20	1	714685-61700	GOVERNOR ASSY									
25	1	114270-61520	BEARING, NEEDLE 8									
26	1	114770-61600	SEAL, OIL									
27	1	114770-61610	WASHER, THRUST									
28	1	114770-61190	WASHER									
29	1	183250-66500	BRACKET ASSY									
30	2	183250-66050	HANDLE, REGULATOR									
31	2	183250-66070	SHAFT, HANDLE									
32	2	183250-66100	BRACKET, RADIATOR									
33	2	114250-66440	BOLT, ADJUSTING									
34	2	104200-66820	SPRING									
35	2	104200-66830	PLATE, FRICTION									
36	2	104200-66850	WASHER									
37	2	26696-100002	NUT, LOCK M10									
38	2	26757-060002	NUT, LOCK M6									
39	1	26106-060452	BOLT, M6X 45 PLATED									
40	1	26476-060142	SCREW, TAPPING M6X14									
41	1	114970-66010	SPRING, REGULATOR									
42	1	114250-66200	SPRING, RETURN									
43	1	114650-66600	LIMITER ASSY, FUEL									
48	1	26696-100002	NUT, LOCK M10									
49	1	135210-61090	LEAD									
50	1	22451-060000	WIRE, 0.6									

N:Old $\frac{100}{100}$ New, Q:Old $\frac{100}{100}$ New, R:Old $\frac{100}{100}$ New, S:Old $\frac{100}{100}$ New, W:Add, Z:Discontinued, F:Interchangeable by set, K:Q'ty Change
Copyright (C) YANMAR CO., LTD. All Rights Reserved.

Fig.19. FUEL INJECTION PUMP

19.FUEL INJECTION PUMP



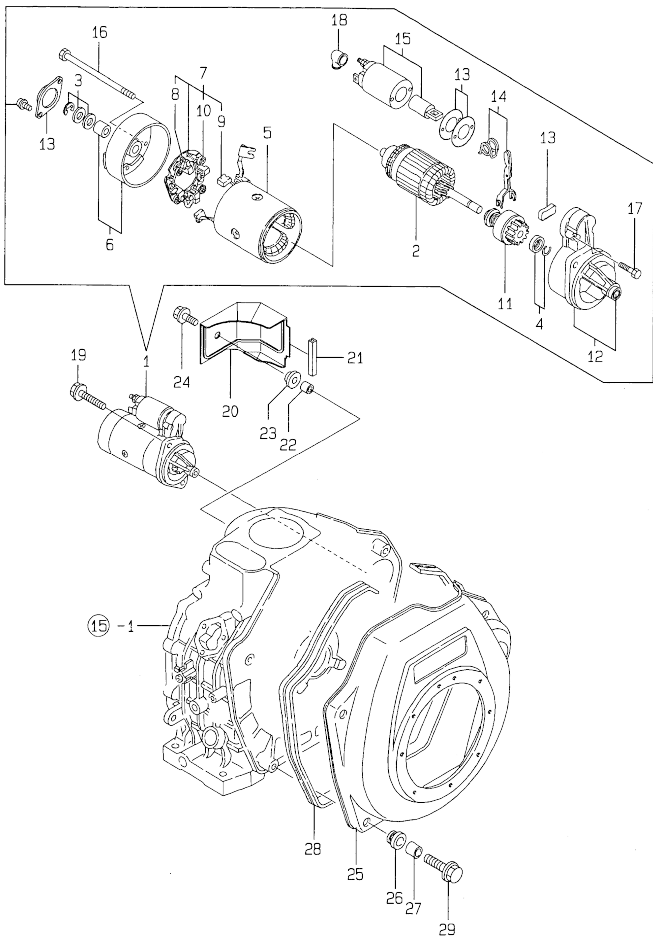
(A)=L48AE-DEGMA (D)=
 (B)=L70AE-DEGMA (E)=
 (C)=L100AE-DEGMA (F)=

No.	Lev.	Parts No.	Description	Q'ty						I	R		
				(A)	(B)	(C)	(D)	(E)	(F)				
1	1	714970-51700	PUMP ASSY, INJECTION										
2	2	105546-51020	GASKET										
3	2	114250-51080	PLATE										
4	2	114970-51100	BODY ASSY, PUMP										
9	2	114250-51160	SPRING, PLUNGER										
10	2	114650-51300	VALVE ASSY, DELIVERY										
13	2	105546-51330	SPRING, DELIVERY										
14	2	114250-51340	HOLDER, DELIVERY										
15	2	124550-51350	GASKET, DELIVERY										
16	2	114250-51600	LEVER ASSY, CONTROL										
17	2	114250-51640	SEAT, SPRING A										
18	2	114250-51650	SEAT, SPRING B										
19	2	22351-020006	PIN, SPRING 2.0X 6										
20	2	22351-030008	PIN, SPRING 3.0X 8										
21	1	714650-53100	VALVE ASSY, INJECTION										
22	2	114650-53000	VALVE ASSY, INJECTION										
25	2	114250-53080	NUT, NOZZLE D16.95										
26	2	114250-53120	SPRING, NOZZLE										
27	2	114250-53130	SEAT, SPRING										
28	2	114250-53140	PLATE										
29	2	114250-53210	PIN										
30	2	114650-53300	HOLDER ASSY, NOZZLE										
33	3	114250-53331	PIN										
34	2	114250-53400	SHIM SET										
41	1	114650-59800	PIPE ASSY, INJECTION										
47	1	114650-59850	SUPPORT										

OCV10-M49800

Fig.20. STARTING MOTOR

20. STARTING MOTOR



(A)=L48AE-DEGMA (D)=
 (B)=L70AE-DEGMA (E)=
 (C)=L100AE-DEGMA (F)=

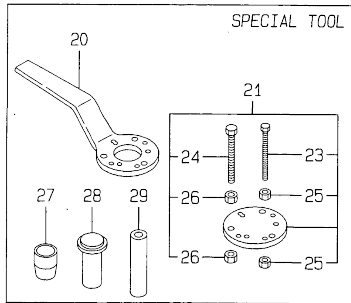
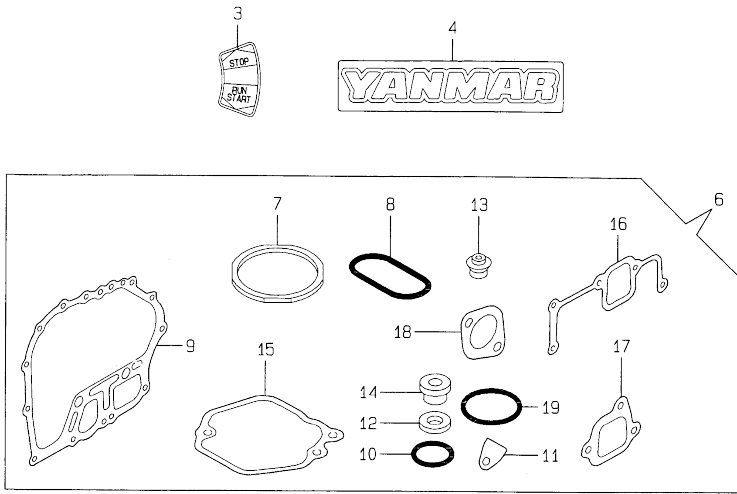
No.	Lev.	Parts No.	Description	Qty						I	R		
				(A)	(B)	(C)	(D)	(E)	(F)				
1	1	114362-77011	STARTER (S114-414A)										
2	2	114381-77110	ARMATURE										
3	2	X2114811000	WASHER KIT, THRUST										
4	2	X2114715500	STOPPER SET, PINION										
5	2	114381-77130	COIL ASSY, FIELD										
6	2	114381-77140	COVER, REAR										
7	2	114371-77160	HOLDER ASSY, BRUSH										
8	3	114371-79040	BRUSH (-)										
9	3	114371-79050	BRUSH (+)										
10	3	114371-79060	SPRING, BRUSH										
11	2	X2114455080	PINION ASSY										
12	2	114381-77150	HOUSING ASSY, GEAR										
13	2	114371-77170	COVER KIT, DUST										
14	2	X2114560130	LEVER KIT, SHIFT										
15	2	X2114275010	SWITCH ASSY, MAGNET										
16	2	X2114680050	BOLT, THROUGH										
17	2	114371-79070	BOLT M 6X 37										
18	2	X2114274200	COVER, TERMINAL										
19	1	26106-100302	BOLT, M10X 30 PLATED										
20	1	114650-45201	COVER										
21	1	114350-45320	RUBBER, SEAL										
22	1	114350-45340	COLLAR										
23	1	183720-55210	GROMMET										
24	1	26476-060202	SCREW, TAPPING M6X20										
25	1	114668-45102	CASE, COOLING FAN										
26	1	114250-45300	ABSORBER										
27	1	114250-45310	COLLAR										
28	1	114650-45330	SEAL, FAN CASE L=950										
29	1	114370-45350	BOLT										

N:Old $\frac{New}{100}$ New, Q:Old $\frac{New}{100}$ New, R:Old $\frac{New}{100}$ New, S:Old $\frac{New}{100}$ New, W:Add, Z:Discontinued, F:Interchangeable by set, K:Qty Change
 Copyright (C) YANMAR CO., LTD. All Rights Reserved.

OCV10-M49800

Fig.21. LABEL & GASKET SET

21. LABEL & GASKET SET



No.	Lev.	Parts No.	Description	Q'ty						I	R	
				(A)	(B)	(C)	(D)	(E)	(F)			
3	1	183250-07230	LABEL, OPERATION				1					
4	1	114250-07111	LABEL, YANMAR				1					
6	1	714989-92600	GASKET SET				1					1
7	2	114970-01340	GASKET, HEAD				1					
8	2	114650-01380	O-RING				1					
9	2	114650-01412	GASKET, CRANK CASE				1					
10	2	24311-000180	O-RING, 1AP18.0				2					
11	2	114250-01841	GASKET				1					
12	2	22190-160002	WASHER, SEAL 16				2					
13	2	114650-11340	SEAL, VALVE STEM				2					
14	2	114250-11460	GASKET, NOZZLE				1					
15	2	114650-11311	GASKET, BONNET				1					
16	2	114650-12301	GASKET				1					
17	2	114650-12211	GASKET, AIR CLEANER				1					
18	2	114650-13201	GASKET (NON-ASB.)				1					
19	2	103338-32570	O-RING				1					
20	1	114250-92101	F.W. LOCKING HANDLE				1					1
21	1	114250-92130	REMOVER, FLYWHEEL				1					1
23	2	26116-060454	BOLT M 6X 45 PLATED				4					1
24	2	26116-080454	BOLT, M8X 45 PLATED				3					1
25	2	26716-060002	NUT, M6				8					1
26	2	26716-080002	NUT, M8				6					1
27	1	114668-92300	GUIDE, OIL SEAL				1					1
28	1	114650-92310	INSTALLING TOOL				1					1
29	1	114650-92350	INSTALLING TOOL				1					1

Remarks
 (1) OPTIONAL PARTS.

N:Old ¹⁰⁰/₁₀₀ New, Q:Old ¹⁰⁰/₁₀₀ New, R:Old ¹⁰⁰/₁₀₀ New, S:Old ¹⁰⁰/₁₀₀ New, W:Add, Z:Discontinued, F:Interchangeable by set, K:Q'ty Change
 Copyright (C) YANMAR CO., LTD. All Rights Reserved.

Parts No. Index

Parts No.	Fig. No.	Ref. No.
101158-11180	9	9
103338-32570	4	7
	7	19
	11	7
	14	19
	18	7
	21	19
103854-01221	3	20
	10	20
104200-23201	17	41
104200-66820	4	34
	11	34
	18	34
104200-66830	4	35
	11	35
	18	35
104200-66850	4	36
	11	36
	18	36
104211-11370	16	14
		27
105010-11490	9	16
		29
105025-01220	15	8
105225-01240	8	11
105425-01690	1	35
	8	21
	15	21
105546-51020	5	2
	12	2
	19	2
105546-51330	5	14
	12	14
	19	13
114250-01200	1	8
114250-01210	1	9
114250-01220	1	10
114250-01250	1	11
114250-01380	1	14
	7	8
114250-01412	1	26
	7	9
114250-01800	1	15
	8	25
	15	25
114250-01830	1	20
	8	30
	15	30
114250-01841	1	21
	7	11

Parts No.	Fig. No.	Ref. No.
114250-01841	8	31
	14	11
	15	31
	21	11
114250-02030	1	40
	8	40
	15	40
114250-02100	1	30
114250-02113	1	41
114250-02200	1	47
114250-02210	1	48
114250-03640	2	39
	9	39
	16	37
114250-07111	7	3
	14	4
	21	4
114250-11101	2	6
114250-11113	2	7
114250-11120	2	8
114250-11180	2	9
114250-11240	2	22
		27
	9	22
		27
	16	20
		25
114250-11290	2	12
	9	12
114250-11311	2	35
	7	15
	9	35
	14	15
114250-11340	2	15
	7	13
114250-11460	2	17
	7	14
	9	17
	14	14
	16	15
	21	14
114250-11600	2	19
	9	19
114250-11651	2	20
	9	20
114250-11900	2	30
	9	30
	16	28
114250-12010	2	48
114250-12201	2	49

Parts No.	Fig. No.	Ref. No.
114250-12201	7	16
114250-12211	2	46
	7	17
	9	46
	14	17
114250-13201	2	53
	7	18
	9	53
	14	18
114250-14200	3	6
	10	6
114250-14260	3	7
	10	7
	17	7
114250-14450	3	8
114250-21550	3	25
	10	21
114250-22302	3	35
114250-23200	3	40
	10	40
114250-23220	3	41
	10	41
114250-23250	3	42
	10	42
114250-32010	4	1
	11	1
114250-32070	4	6
	11	6
	18	6
114250-35070	4	10
	11	10
	18	10
114250-35150	1	32
	8	32
	15	32
114250-45211	6	20
114250-45300	6	23
	13	26
	20	26
114250-45310	6	24
	13	27
	20	27
114250-45330	6	25
	13	28
114250-51080	5	3
	12	3
	19	3
114250-51160	5	4
	12	10
	19	9

Parts No.	Fig. No.	Ref. No.
114250-51200	5	5
114250-51300	5	11
	12	11
114250-51340	5	15
	12	15
	19	14
114250-51600	5	17
	12	17
	19	16
114250-51640	5	18
	12	18
	19	17
114250-51650	5	19
	12	19
	19	18
114250-53001	5	23
114250-53080	5	26
	12	26
	19	25
114250-53120	5	27
	12	27
	19	26
114250-53130	5	28
	12	28
	19	27
114250-53140	5	29
	12	29
	19	28
114250-53210	5	30
	12	30
	19	29
114250-53300	5	31
	12	31
114250-53331	5	34
	12	34
	19	33
114250-53400	5	35
	12	35
	19	34
114250-59800	5	42
114250-66200	4	42
	11	42
	18	42
114250-66440	4	33
	11	33
	18	33
114250-66550	11	43
114250-92101	7	21
	14	20
	21	20

Parts No. Index

Parts No.	Fig. No.	Ref. No.	Parts No.	Fig. No.	Ref. No.	Parts No.	Fig. No.	Ref. No.	Parts No.	Fig. No.	Ref. No.
114250-92130	7	22	114362-21600	10	25	114650-02200	15	46	114770-61610	11	27
	14	21	114362-77011	6	1	114650-02210	15	47		18	27
	21	21		13	1	114650-11010	16	1	114770-66010	4	41
114250-92301	7	28		20	1	114650-11100	16	6	114770-66550	4	43
114250-92311	7	29	114368-01453	8	16	114650-11121	16	8	114781-21590	3	21
114250-92350	7	30	114368-92300	14	27	114650-11261	16	12	114788-45100	6	22
114260-01454	1	27	114370-45350	6	26	114650-11311	16	33	114870-01340	8	13
114262-21600	3	24		13	29		21	15		14	7
114270-01600	1	22		20	29	114650-11340	16	13	114870-11021	9	1
	8	33	114371-77160	6	7		21	13	114870-45201	13	20
	15	34		13	7	114650-11600	16	17	114870-53000	12	23
114270-61520	4	25		20	7	114650-11652	16	18	114870-66010	11	41
	11	25	114371-77170	6	13	114650-12020	16	45	114881-21590	10	22
	18	25		13	13	114650-12211	16	43	114970-01340	15	13
114350-01200	8	8		20	13		21	17		21	7
114350-01210	8	9	114371-79040	6	8	114650-12301	16	46	114970-51100	19	4
114350-01220	8	10		13	8		21	16	114970-66010	18	41
114350-01250	8	12		20	8	114650-13201	16	50	118200-23200	10	40 -1
114350-01380	8	14	114371-79050	6	9		21	18	119260-11370	2	16
	14	8		13	9	114650-14200	17	6		2	29
114350-01412	8	15		20	9	114650-14401	17	8	119620-11180	16	9
	14	9	114371-79060	6	10	114650-21551	17	21	122710-01220	17	12
114350-01700	1	6		13	10	114650-22300	17	35	124060-23100	17	40
	8	6		20	10	114650-32010	18	1	124550-51350	5	16
	15	6	114371-79070	6	17	114650-45201	20	20		12	16
114350-02100	8	19		13	17	114650-45330	20	28		19	15
114350-02113	8	41		20	17	114650-51300	19	10	124950-01250	1	12
114350-02200	8	46	114380-23100	10	45 A	114650-53000	19	22	129100-61850	2	45
114350-02210	8	47	114381-77110	6	2	114650-53300	19	30		9	45
114350-11101	9	6		13	2	114650-59800	19	41	129792-22400	17	36
114350-11113	9	7		20	2	114650-59850	19	47	135210-61090	4	49
114350-11120	9	8	114381-77130	6	5	114650-66600	18	43		11	49
114350-11340	9	15		13	5	114650-92310	21	28		18	49
	14	13		20	5	114650-92350	21	29	160110-02220	1	42
114350-11470	2	18	114381-77140	6	6	114654-11110	16	7		8	42
	9	18		13	6	114660-01471	15	16			43
	16	16		20	6	114662-21592	17	22	160210-02220	1	43
114350-12011	9	48	114381-77150	6	12	114662-21601	17	25	160710-01760	1	36
114350-12202	9	49		13	12	114668-45102	20	25	160910-01740	8	22
	14	16		20	12	114668-92300	21	27		15	22
114350-14450	10	8	114650-01230	15	9	114770-01340	1	13	183250-03601	2	38
114350-22301	10	35	114650-01240	15	10		7	7		9	38
114350-45320	13	21	114650-01250	15	11	114770-11020	2	1		16	36
	20	21	114650-01260	15	12	114770-61190	4	28	183250-07230	7	4
114350-45340	13	22	114650-01380	15	14		11	28		14	3
	20	22		21	8		18	28		21	3
114350-59800	12	42	114650-01412	15	15	114770-61600	4	26	183250-11951	2	36
114350-92311	14	28		21	9		11	26		9	36
114350-92350	14	29	114650-02100	15	19		18	26	183250-39450	1	46
114360-45101	13	25	114650-02150	15	41	114770-61610	4	27		8	34

Parts No. Index

Parts No.	Fig. No.	Ref. No.
183250-39450	15	33
183250-66050	4	30
	11	30
	18	30
183250-66070	4	31
	11	31
	18	31
183250-66100	4	32
	11	32
	18	32
183250-66500	4	29
	11	29
	18	29
183350-51200	12	4
183650-11951	16	34
183720-55210	13	23
	20	23
22190-160002	1	39
	7	12
	8	39
	14	12
	15	39
	21	12
22252-000190	3	36
22252-000210	10	36
22312-030080	3	43
	10	43
22312-030160	2	41
	4	8
	9	41
	11	8
	16	39
	18	8
22322-030200	4	18
		19
	11	18
		19
	18	18
		19
22351-020006	5	20
	12	20
	19	19
22351-030008	5	21
	12	21
	19	20
22351-040008	2	31
	9	31
	16	29
22451-060000	4	50
	11	50

Parts No.	Fig. No.	Ref. No.
22451-060000	18	50
22512-040120	3	26
	10	26
22512-050140	17	26
24101-062024	3	51
	10	51
24101-062034	17	49
24101-063034	17	50
24162-152112	1	44
	8	44
	15	42
24311-000180	1	38
	7	10
	8	24
	14	10
	15	24
	21	10
24341-000224	4	11
	7	20
	11	11
	18	11
24423-355008	15	43
		44
26106-060162	4	12
	11	12
	18	12
26106-060252	1	33
	2	50
	9	50
	16	47
26106-060452	4	39
	11	39
	18	39
26106-060552	2	44
	9	44
26106-060702	16	42
26106-080122	1	45
	8	45
	15	45
26106-080352	1	34
	8	35
	15	35
26106-080452	2	32
	9	32
26106-100122	1	7
	8	7
	15	7
26106-100302	6	19
	13	19
	20	19

Parts No.	Fig. No.	Ref. No.
26106-100552	16	30
26116-060454	7	24
	14	23
	21	23
26116-080454	7	25
	14	24
	21	24
26216-080182	2	54
	9	54
26226-060142	2	51
	9	51
	16	48
26226-060182	1	23
	8	36
	15	36
26226-060222	1	24
	8	37
	15	37
26226-060502	2	33
	9	33
	16	31
26226-060552	2	52
	9	52
26226-060752	16	49
26226-080202	16	52
26366-060002	1	25
	2	34
		47
	8	38
	9	34
		47
	15	38
	16	32
		44
26366-080002	2	55
	9	55
	16	51
26476-060142	4	9
		40
	6	21
	11	9
		40
	18	9
		40
26476-060202	13	24
	20	24
26696-100002	4	37
		48
	11	37
		48

Parts No.	Fig. No.	Ref. No.
26696-100002	18	37
		48
26716-060002	7	26
	14	25
	21	25
26716-080002	7	27
	14	26
	21	26
26756-060002	2	23
		28
	9	23
		28
	16	21
		26
26757-060002	4	38
	11	38
	18	38
27310-060001	9	10
27310-070001	16	10
714150-51701	5	1
714250-11570	2	10
714250-23600	3	44
714250-23610	3	64
714250-23620	3	66
714250-23703	3	37
714250-53101	5	22
714250-61500	4	13
714270-11660	2	24
714288-21730	3	12
714350-23600	10	44
714350-23610	10	64
714350-23620	10	66
714350-23704	10	37
714350-28520	10	46
714350-61500	11	13
714368-21740	10	12 -1
714370-11660	9	24
714380-23600	10	44 -1
714380-23610	10	64 -1
714380-23620	10	66 -1
714380-23700	10	37 -1
714388-21730	10	12
714650-23600	17	42
714650-23610	17	65
714650-23620	17	67
714650-23700	17	37
714650-53100	19	21
714650-61500	18	13
714670-11660	16	22
714685-61700	18	20

Parts No. Index

Parts No.	Fig. No.	Ref. No.
714689-14580	17	1
714689-21730	17	13
714770-22500	3	29
714770-22540	3	54
714770-22550	3	60
714770-28510	3	46
714770-28511	3	46 -1
714770-28512	3	46 -2
714770-61700	4	20
	11	20
714770-92601	7	6
714771-01560	1	1
714780-14580	3	1
714780-14581	3	1 -1
714780-22580	3	58
714780-22620	3	52
714780-22720	3	27
714870-22500	10	29
714870-22540	10	54
714870-22550	10	60
714870-28510	10	46 -1
714870-53100	12	22
714871-01560	8	1
714880-14580	10	1
714880-22580	10	58
714880-22620	10	52
714880-22720	10	27
714888-92600	14	6
714970-01560	15	1
714970-22500	17	29
714970-22540	17	53
714970-22550	17	61
714970-28511	17	44
714970-51700	19	1
714980-22580	17	59
714980-22620	17	51
714980-22720	17	27
714989-92600	21	6
783350-51701	12	1
X2114274200	6	18
	13	18
	20	18
X2114275010	6	15
	13	15
	20	15
X2114455080	6	11
	13	11
	20	11
X2114560130	6	14
	13	14

Parts No.	Fig. No.	Ref. No.
X2114560130	20	14
X2114680050	6	16
	13	16
	20	16
X2114715500	6	4
	13	4
	20	4
X2114811000	6	3
	13	3
	20	3

Parts No.	Fig. No.	Ref. No.
-----------	----------	----------

Parts No.	Fig. No.	Ref. No.
-----------	----------	----------