

OCR10-M55900EN

はじめに

1. 本パーツカタログは、YASC向けL100AE-YCシリーズを掲載した新作版です。

	パーツカタログNo.	発行年月	備考
初版	000Y00R5590	2002年12月	

2. 本パーツカタログは、整備要領などを示した技術資料ではありません。
 3. 本パーツカタログのイラストは、一部簡略化したものを使用しています。
 4. 記載形式

ヤンマーエンジン形式名	記載欄	ヤンマーエンジン形式名	記載欄	ヤンマーエンジン形式名	記載欄
L100AE-DTMYC L100AE-DPTMYC	A	L100AE-DEGTMYP L100AE-DEGTMYC	B	L100AE-DETMYP L100AE-DEPTMYC	C
L100AE-DETMRYC	D	L100AE-DGTMYP L100AE-DGTMYC	E	L100AE-STMYC L100AE-SETMYC	F

5. 本パーツカタログの記載内容は、予告なく変更することがありますのでご了承ください。
 6. ヤンマー製品の整備には、必ず『ヤンマー純正部品』をご使用ください。
 市販の類似品を使用して修理されますと、早期破損などの原因となりますのでご注意ください。

Introduction

1. This parts catalog is a first edition of the L100AE-YC series Diesel engine for YASC.

	Parts catalog No.	Date of issue	Remarks
First edition	000Y00R5590	Dec., 2002	

2. This parts catalog dose not contain the technical data needed for maintenance service.
 3. The illustrations used in this parts catalog have been simplified for clarity.
 4. The essential points list.

Model name	Column	Model name	Column	Model name	Column
L100AE-DTMYC L100AE-DPTMYC	A	L100AE-DEGTMYP L100AE-DEGTMYC	B	L100AE-DETMYP L100AE-DEPTMYC	C
L100AE-DETMRYC	D	L100AE-DGTMYP L100AE-DGTMYC	E	L100AE-STMYC L100AE-SETMYC	F

5. The contents of this parts catalog are subject to change without notice.
 6. Be sure to use only Yanmar genuine part for repairs. If imitation parts are used, it may cause engine defects.

Contents

Fig. No. Fig. Name

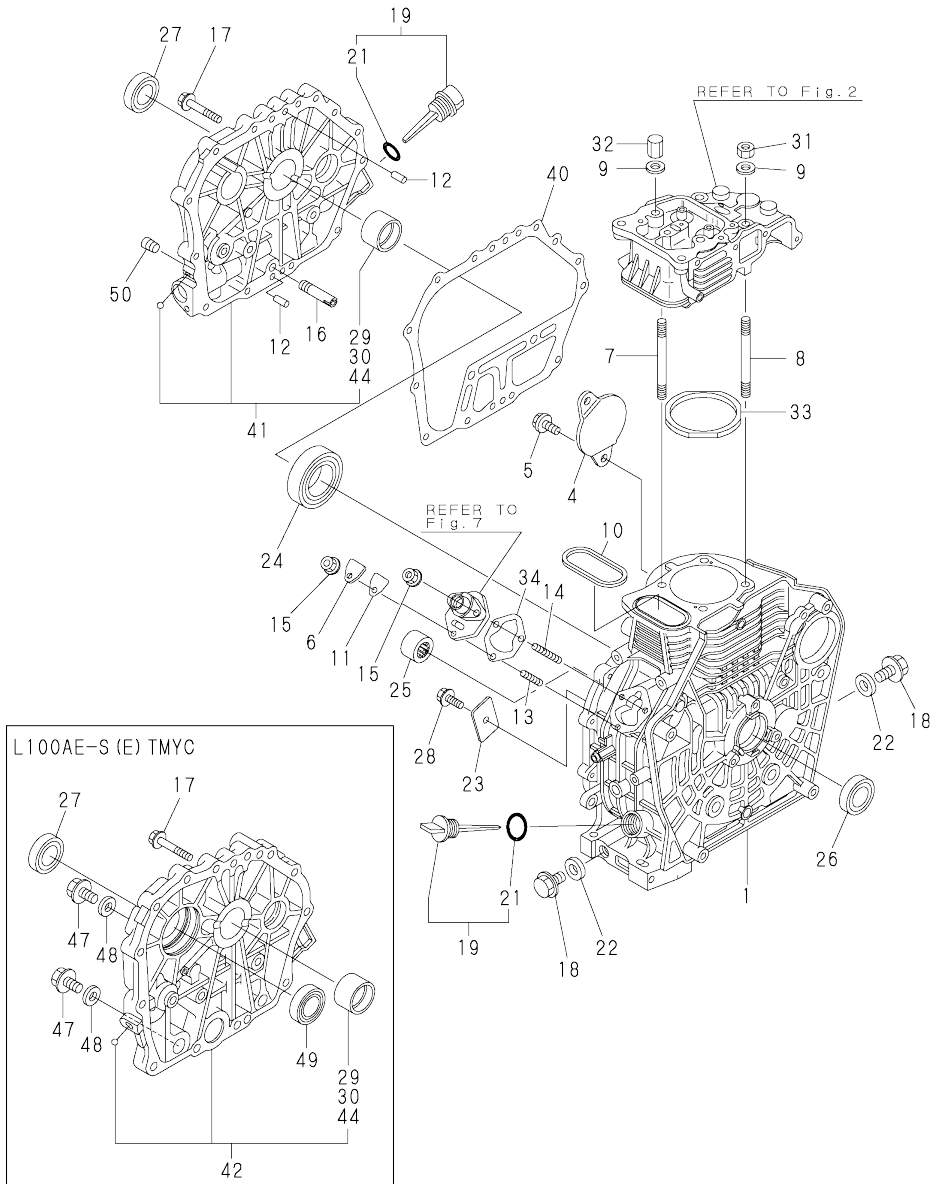
L100AE-YC SERIES YASC

1. CYLINDER BLOCK
2. CYLINDER HEAD & BONNET
3. AIR CLEANER & MUFFLER
4. CRANKSHAFT,PISTON & CAMSHAFT
5. LUB.OIL PUMP & GOVERNOR
6. COOLING & STARTING DEVICE
7. FUEL INJECTION PUMP
8. FUEL TANK & FUEL PIPE
9. STARTING MOTOR
10. TOOL,LABEL & GASKET SET

Fig. No. Fig. Name

Fig.1. CYLINDER BLOCK

(A)=L100AED(P)TM
 (B)=L100AEDEGTM(A)
 (C)=L100AEDE(P)T
 (D)=L100AEDETMRY
 (E)=L100AEDGTM(A)
 (F)=L100AES(E)TM

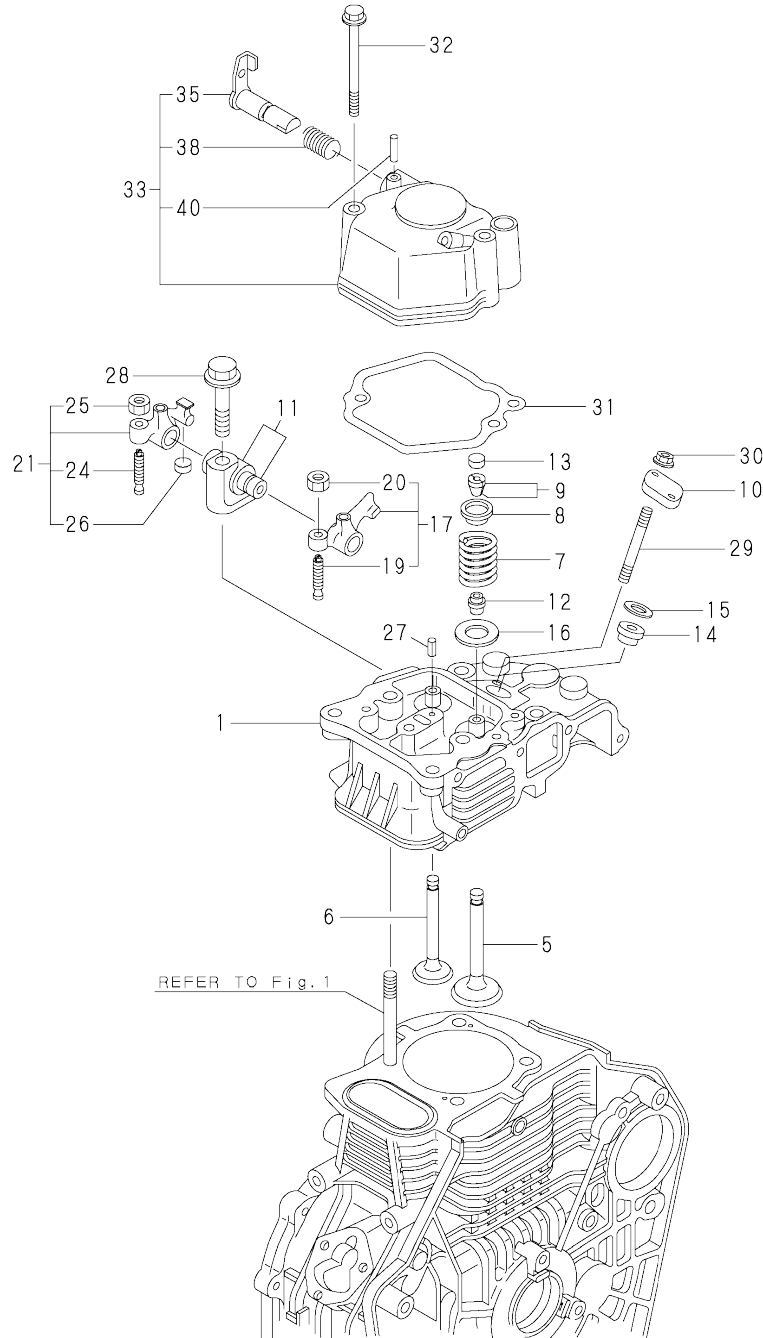


No.	Lev.	Parts No.	Description	Q'ty						I	R
				(A)	(B)	(C)	(D)	(E)	(F)		
1	1	114970-01022	BLOCK ASSY, CYLINDER	1	1	1	1	1	1		
4	1	114399-01700	COVER, STARTER	1				1	1		4
5	1	26106-100122	BOLT, M10X 12 PLATED	2				2	2		4
6	1	114299-01830	COVER	1	1	1	1	1	1		
7	1	114699-01200	BOLT, HEAD	2	2	2	2	2	2		
8	1	114650-01240	BOLT, HEAD	2	2	2	2	2	2		
9	1	114699-01250	WASHER	4	4	4	4	4	4		
10	1	114699-01380	O-RING	1	1	1	1	1	1		
11	1	114299-01840	GASKET	1	1	1	1	1	1		
12	1	114270-01600	PIN, M8X12	2	2	2	2	2	2		
13	1	26226-060182	STUD, M6X 18	1	1	1	1	1	1		
14	1	26226-060222	STUD, M6X 22	2	2	2	2	2	2		
15	1	26366-060002	NUT, M6	3	3	3	3	3	3		
16	1	114299-35150	PIPE, OIL INLET	1	1	1	1	1	1		
17	1	26106-080352	BOLT, M8X 35 PLATED	16	16	16	16	16	16		
18	1	105425-01690	PLUG, 16	2	2	2	2	2	2		
19	1	114699-01760	CAP ASSY	2	2	2	2	2	2		
21	2	114299-01950	O-RING, 18	2	2	2	2	2	2		
22	1	22190-160002	WASHER, SEAL 16	2	2	2	2	2	2		
23	1	114299-02030	RETAINER, BEARING	1	1	1	1	1	1		
24	1	114650-02150	BEARING, HR6308G3C3	1	1	1	1	1	1		
25	1	24162-152112	BEARING, 152112	1	1	1	1	1	1		
26	1	24423-355008	SEAL, OIL TC355008	1	1	1	1	1	1		
27	1	24423-355008	SEAL, OIL TC355008	1	1	1	1	1	1		
28	1	26106-080122	BOLT, M8X 12 PLATED	1	1	1	1	1	1		
29	1	114650-02200	BEARING, 0.25 US	1	1	1	1	1	1		2
30	1	114650-02210	BEARING, 0.50 US	1	1	1	1	1	1		3
31	1	114699-01220	NUT, CYLINDER HEAD A	2	2	2	2	2	2		
32	1	114699-01230	NUT, CYLINDER HEAD B	2	2	2	2	2	2		
33	1	114699-01330	GASKET, HEAD	1	1	1	1	1	1		
34	1	114299-01800	SHIM SET	1	1	1	1	1	1		
40	1	114699-01410	GASKET, CRANK CASE	1	1	1	1	1	1		
41	1	114699-01450	COVER, CRANK CASE	1	1	1	1	1	1		
42	1	114650-01453	COVER, CRANK CASE								1
44	2	114650-02100	BEARING, MAIN	1	1	1	1	1	1		1
47	1	105425-01690	PLUG, 16								2
48	1	22190-160002	WASHER, SEAL 16								2
49	1	24101-062070	BEARING, BALL 6207C3								1
50	1	23876-010000	PLUG, R01	1	1	1	1	1	1		

Remarks

- (1)REPAIR PART.
- (2)UNDER SIZED(U.S.=0.25)PART.
- (3)UNDER SIZED(U.S.=0.50)PART.
- (4)IT IS NOT USED FOR L100AE-SETMYC.

Fig.2. CYLINDER HEAD & BONNET

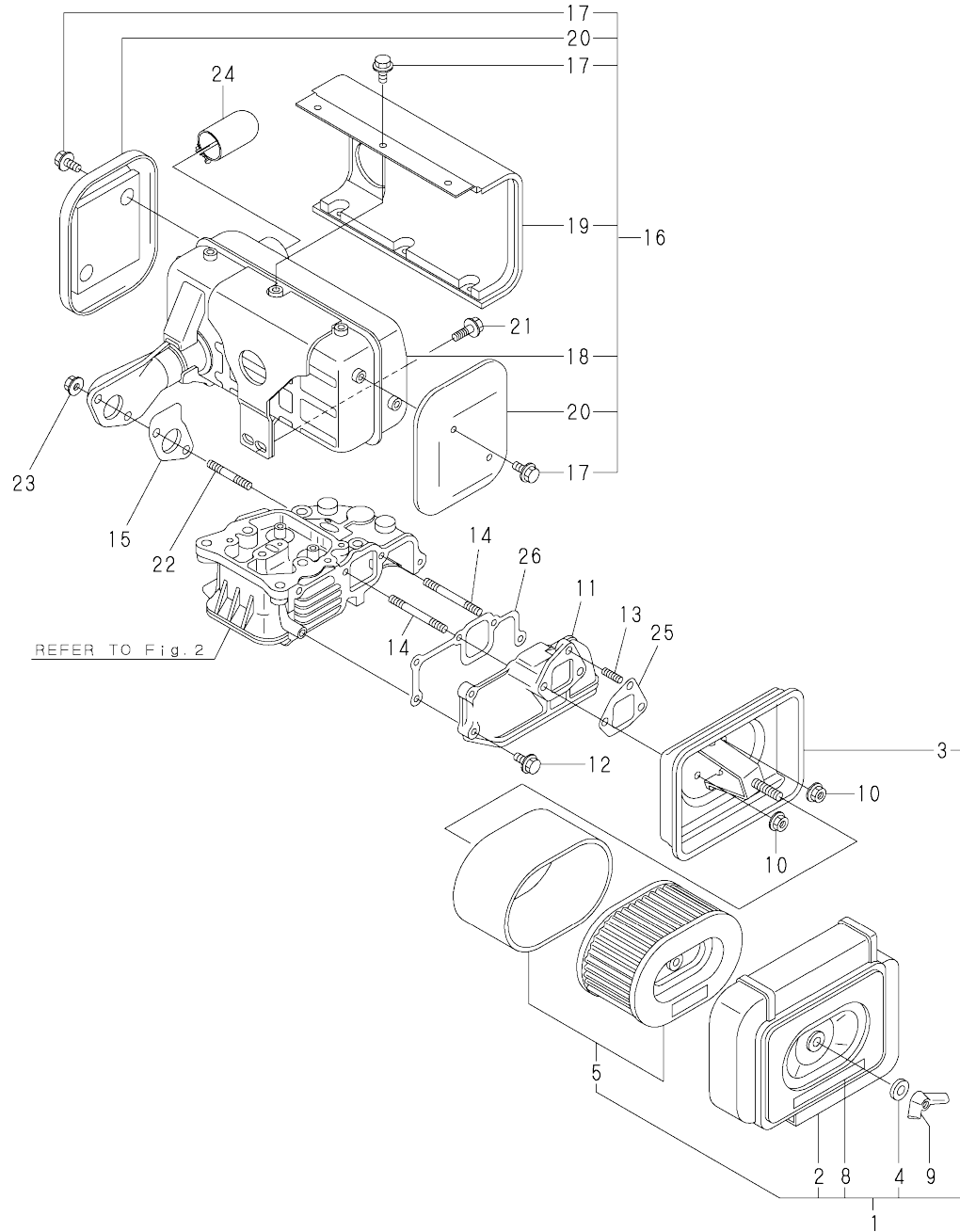


(A)=L100AED(P)TM
(B)=L100AEDEGTM
(C)=L100AEDE(P)T

(D)=L100AEDETMRY
(E)=L100AEDGTM(A)
(F)=L100AES(E)TM

No.	Lev.	Parts No.	Description	Q'ty						I	R
				(A)	(B)	(C)	(D)	(E)	(F)		
1	1	114650-11011	HEAD ASSY, CYLINDER	1	1	1	1	1	1		
5	1	114650-11100	VALVE, INTAKE	1	1	1	1	1	1		
6	1	114654-11110	VALVE, EXHAUST	1	1	1	1	1	1		
7	1	114699-11120	SPRING, VALVE	2	2	2	2	2	2		
8	1	119620-11180	RETAINER, SPRING	2	2	2	2	2	2		
9	1	27310-070001	COTTER, 7	2	2	2	2	2	2		
10	1	114299-11901	RETAINER, NOZZLE	1	1	1	1	1	1		
11	1	114650-11261	SUPPORT, ROCKER ARM	1	1	1	1	1	1		
12	1	114650-11340	SEAL, VALVE STEM	2	2	2	2	2	2		
13	1	104211-11370	CAP, VALVE	1	1	1	1	1	1		
14	1	114250-11460	GASKET, NOZZLE	1	1	1	1	1	1		
15	1	114350-11470	SPACER, NOZZLE	1	1	1	1	1	1		
16	1	114699-11600	WASHER	2	2	2	2	2	2		
17	1	114650-11652	ARM, ROCKER	1	1	1	1	1	1		
19	2	114250-11240	SCREW, VALVE ADJUST	1	1	1	1	1	1		
20	2	26856-060002	NUT, M6	1	1	1	1	1	1		
21	1	714670-11660	ARM ASSY, ROCKER	1	1	1	1	1	1		
24	3	114250-11240	SCREW, VALVE ADJUST	1	1	1	1	1	1		
25	3	26856-060002	NUT, M6	1	1	1	1	1	1		
26	2	104211-11370	CAP, VALVE	1	1	1	1	1	1		
27	1	22351-040008	PIN, SPRING 4.0X 8	1	1	1	1	1	1		
28	1	26106-100552	BOLT, M10X 55 PLATED	1	1	1	1	1	1		
29	1	26226-060502	STUD, M6X 50	2	2	2	2	2	2		
30	1	26366-060002	NUT, M6	2	2	2	2	2	2		
31	1	114699-11320	GASKET, BONNET	1	1	1	1	1	1		
32	1	26106-060702	BOLT, M6X 70 PLATED	2	2	2	2	2	2		
33	1	114699-11950	BONNET ASSY, HEAD	1	1	1	1	1	1		
35	2	114250-03591	LEVER ASSY	1	1	1	1	1	1		
38	2	114250-03640	SPRING, DECOMPRESSION	1	1	1	1	1	1		
40	2	22312-030160	PIN, PARALLEL M3X16	1	1	1	1	1	1		

Fig.3. AIR CLEANER & MUFFLER

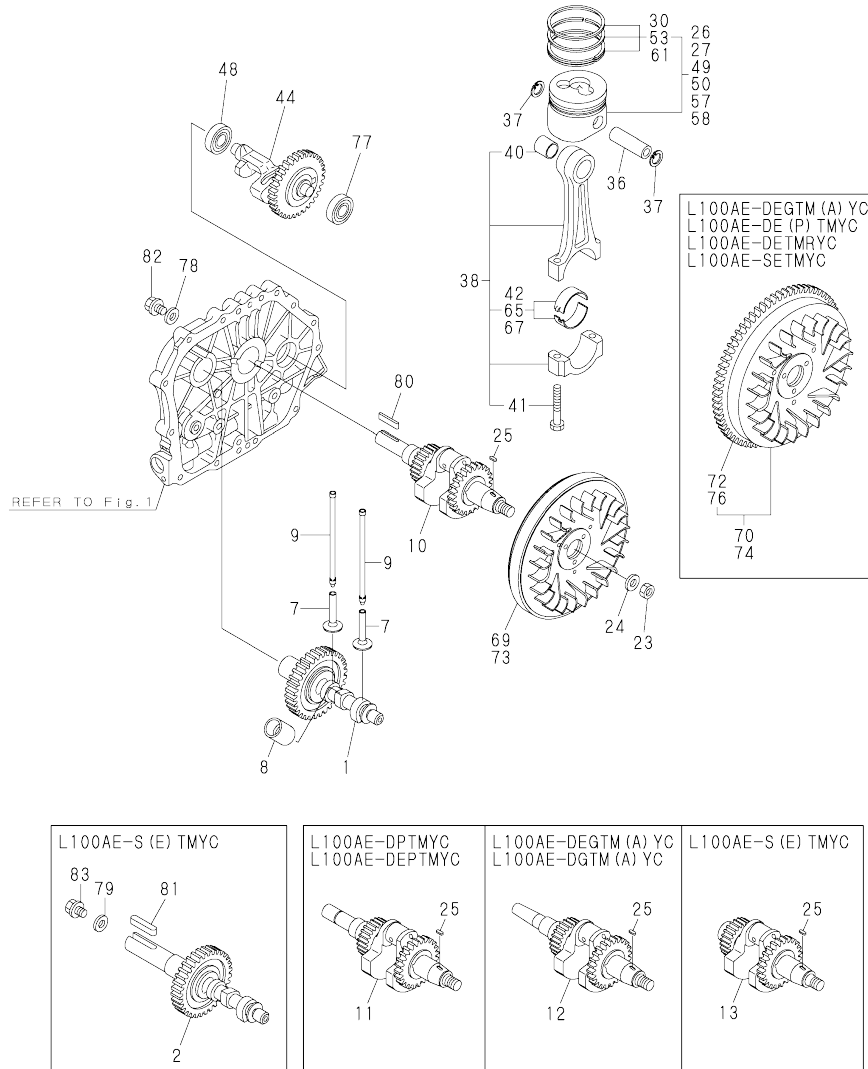


(A)=L100AED(P)TM
(B)=L100AEDEGTM(
(C)=L100AEDE(P)T

(D)=L100AEDETRMRY
(E)=L100AEDGTM(A
(F)=L100AES(E)TM

No.	Lev.	Parts No.	Description	Q'ty						I	R
				(A)	(B)	(C)	(D)	(E)	(F)		
1	1	114650-12511	CLEANER ASSY, AIR	1	1	1	1	1	1		
2	2	114650-12520	COVER, AIR CREAMER	1	1	1	1	1	1		
3	2	114650-12531	CASE ASSY, CLEANER	1	1	1	1	1	1		
4	2	114252-12560	WASHER, SEAL M8	1	1	1	1	1	1		
5	2	114650-12591	ELEMENT ASSY	1	1	1	1	1	1		
8	2	114650-07450	LABEL, AIR CLEANER	1	1	1	1	1	1		
9	1	114252-12550	NUT, WING M8	1	1	1	1	1	1		
10	1	114250-12300	NUT	3	3	3	3	3	3		
11	1	114699-12020	PIPE, AIR INTAKE	1	1	1	1	1	1		
12	1	26106-060252	BOLT, M6X 25 PLATED	3	3	3	3	3	3		
13	1	26226-060142	STUD, M6X 14	1	1	1	1	1	1		
14	1	26226-060752	STUD, M6X 75	2	2	2	2	2	2		
15	1	114699-13200	GASKET, MUFFLER	1	1	1	1	1	1		
16	1	114970-13551	MUFFLER ASSY	1	1	1	1	1	1		
17	2	160260-01580	BOLT, FLANGE M6X6	10	10	10	10	10	10		
18	2	114970-13561	MUFFLER	1	1	1	1	1	1		
19	2	114970-13700	COVER	1	1	1	1	1	1		
20	2	114970-13710	COVER	2	2	2	2	2	2		
21	1	26106-080182	BOLT, M8X 18 PLATED	2	2	2	2	2	2		
22	1	26216-080182	STUD, M8X 18	2	2	2	2	2	2		
23	1	26306-080002	NUT, M8	2	2	2	2	2	2		
24	1	114699-13800	PIPE	1	1	1	1	1	1		
25	1	114699-12210	GASKET, AIR CLEANER	1	1	1	1	1	1		
26	1	114699-12200	GASKET	1	1	1	1	1	1		

Fig.4. CRANKSHAFT,PISTON & CAMSHAFT



(A)=L100AED(P)TM
 (B)=L100AEDEGTM(C)
 (C)=L100AEDE(P)T
 (D)=L100AEDETMRY
 (E)=L100AEDGTM(A)
 (F)=L100AES(E)TM

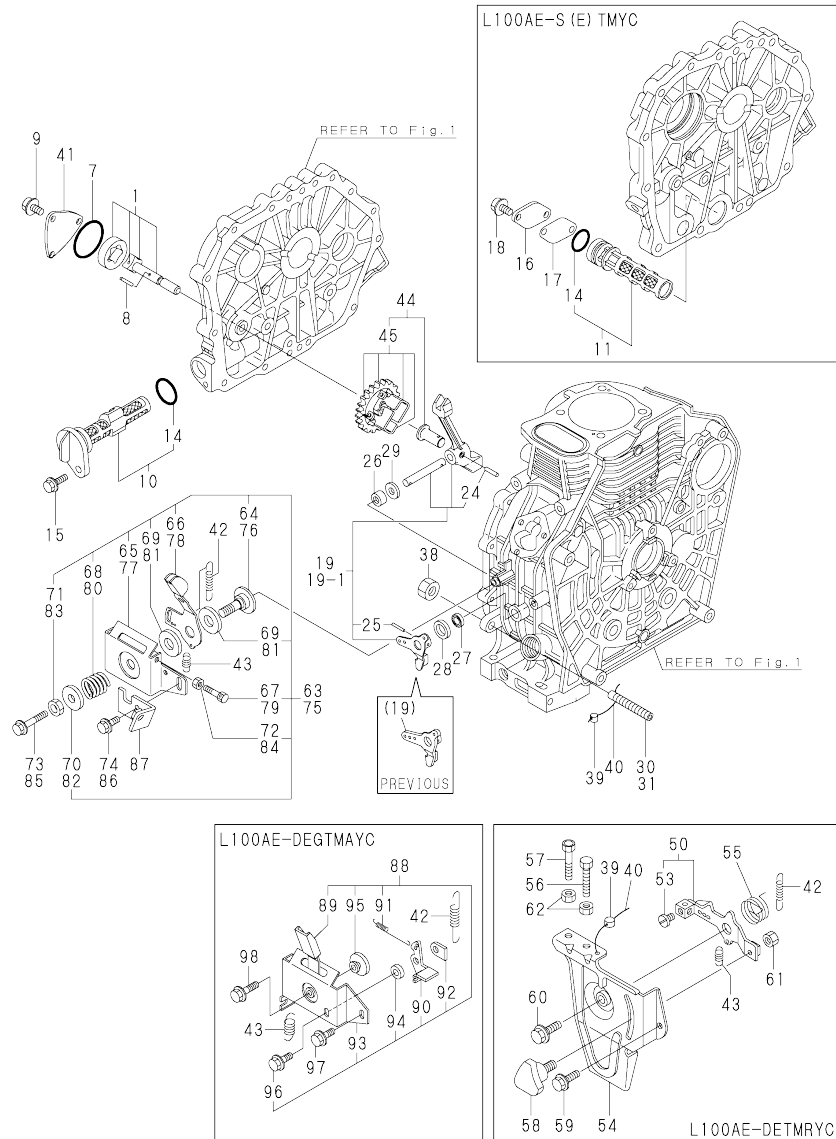
No.	Lev.	Parts No.	Description	Q'ty						I	R
				(A)	(B)	(C)	(D)	(E)	(F)		
1	1	714699-14580	CAMSHAFT ASSY	1	1	1	1	1			
2	1	714679-14670	CAMSHAFT ASSY							1	
7	1	114650-14200	TAPPET	2	2	2	2	2	2		
8	1	114771-14260	TAPPET	1	1	1	1	1	1		
9	1	114650-14402	ROD ASSY, PUSH	2	2	2	2	2	2		
10	1	714668-21700	CRANKSHAFT ASSY	1		1	1			1	
11	1	714689-21760	CRANKSHAFT ASSY	1		1				2	
12	1	714689-21730	CRANKSHAFT ASSY		1			1			
13	1	714679-21710	CRANKSHAFT ASSY							1	
23	1	114699-21220	NUT	1	1	1	1	1	1		
24	1	114699-21550	WASHER	1	1	1	1	1	1		
25	1	22512-050140	KEY, 5X 14	1	1	1	1	1	1		
26	1	714980-22721	PISTON ASSY, D	1	1	1	1	1			
27	1	714970-22721	PISTON ASSY, S							1	
30	2	714970-22500	RING SET, PISTON	1	1	1	1	1	1		
36	1	114699-22300	PIN, PISTON D=23	1	1	1	1	1	1		
37	1	129792-22400	CIRCLIP, 23	2	2	2	2	2	2		
38	1	71465G-23700	ROD ASSY, CONNECTING	1	1	1	1	1	1		
40	2	124060-23100	BEARING, PISTON PIN	1	1	1	1	1	1		
41	2	105300-23200	BOLT, CONNECTING ROD	2	2	2	2	2	2		
42	2	714650-23600	BEARING, CRANK PIN	1	1	1	1	1	1		
44	1	714970-28511	SHAFT ASSY, BALANCER	1	1	1	1	1	1		
48	1	24101-062030	BEARING, BALL 6203C3	1	1	1	1	1	1		
49	1	714980-22621	PISTON ASSY, 0.25 OS	1	1	1	1	1		3	
50	1	714970-22621	PISTON ASSY, 0.25 OS							1	
53	2	714970-22540	RING SET, 0.25 OS	1	1	1	1	1	1	3	
57	1	714980-22581	PISTON ASSY, 0.50 OS	1	1	1	1	1		4	
58	1	714970-22581	PISTON ASSY, 0.50 OS							1	
61	2	714970-22550	RING SET, 0.50 OS	1	1	1	1	1	1	4	
65	1	714650-23610	BEARING ASSY, 0.25	1	1	1	1	1	1	5	
67	1	714650-23620	BEARING, 0.50 US	1	1	1	1	1	1	6	
69	1	114699-21420	FLYWHEEL	1				1			
70	1	114699-21590	FLYWHEEL ASSY		1	1	1				
72	2	114662-21601	GEAR, RING	1	1	1					
73	1	114699-21450	FLYWHEEL							1	
74	1	114699-21570	FLYWHEEL ASSY							1	
76	2	114651-21601	GEAR, RING							1	
77	1	24101-063030	BEARING, BALL 6303C3	1	1	1	1	1	1		
78	1	160842-21260	WASHER	1		1	1			1	
79	1	160842-21260	WASHER							1	
80	1	160842-21150	KEY, 6.3X50	1		1	1			1	
81	1	22512-070360	KEY, 7X 36							1	
82	1	160842-21250	BOLT, 7/16-20UNF	1		1	1			1	
83	1	26106-100252	BOLT, M10X 25 PLATED							1	

Remarks

- (1)FOR L100AE-DTMYC,L100AE-DETMRYC, L100AE-DEPTMYC.
- (2)FOR L100AE-DPTMYC,L100AE-DEPTMYC.
- (3)OVER SIZED(O.S.=0.25)PART.
- (4)OVER SIZED(O.S.=0.50)PART.
- (5)UNDER SIZED(U.S.=0.25)PART.
- (6)UNDER SIZED(U.S.=0.50)PART.
- (7)FOR L100AE-STMYC.
- (8)FOR L100AE-SETMYC.

Fig.5. LUB.OIL PUMP & GOVERNOR

(A)=L100AED(P)TM
 (B)=L100AEDEGTM
 (C)=L100AEDE(P)T
 (D)=L100AEDETMRY
 (E)=L100AEDGTM(A
 (F)=L100AES(E)TM



No.	Lev.	Parts No.	Description	Q'ty						I	R
				(A)	(B)	(C)	(D)	(E)	(F)		
1	1	114650-32010	PUMP ASSY, OIL	1	1	1	1	1	1		
7	1	114299-32570	O-RING	1	1	1	1	1	1		
8	1	22312-030160	PIN, PARALLEL M3X16	1	1	1	1	1	1		
9	1	26476-060142	SCREW, TAPPING M6X14	3	3	3	3	3	3		
10	1	114299-35110	FILTER ASSY, OIL	1	1	1	1	1			
11	1	114299-35100	FILTER ASSY, OIL								1
14	2	24341-000224	O-RING, 1AS22.4	1	1	1	1	1	1		
15	1	26106-060162	BOLT, M6X 16 PLATED	1	1	1	1	1			
16	1	114250-35250	COVER								1
17	1	114250-35271	GASKET								1
18	1	26106-060122	BOLT, M6X 12 PLATED								2
19	1	714650-61500	LEVER ASSY, GOVERNOR	1	1	1	1	1	1		
19-1	1	714650-61501	LEVER ASSY, GOVERNOR	1	1	1	1	1	1		S
		(A=*2001.08)	(B=*2001.08)	(C=*2001.08)	(D=*2001.08)	(E=*2001.08)	(F=*2001.08)				
24	3	22322-030200	PIN, TAPER 3X20	1	1	1	1	1	1		
25	2	22322-030200	PIN, TAPER 3X20	1	1	1	1	1	1		
26	1	114770-61520	BEARING, NEEDLE	2	2	2	2	2	2		
27	1	114299-61600	SEAL, OIL	1	1	1	1	1	1		
28	1	114770-61610	WASHER, THRUST	1	1	1	1	1	1		
29	1	114299-61190	WASHER	1	1	1	1	1	1		
30	1	114650-66500	LIMITER ASSY, FUEL	1		1	1		1		
31	1	114650-66600	LIMITER ASSY, FUEL		1				1		
38	1	26776-100002	NUT, LOCK M10	1	1	1	1	1	1		
39	1	135210-61090	LEAD	2	2	2	2	2	2		
40	1	22451-060000	WIRE, 0.6	2	2	2	2	2	2		
41	1	114299-32070	COVER	1	1	1	1	1	1		
42	1	114699-66010	SPRING, REGULATOR	1	1	1	1	1	1		
43	1	114299-66200	SPRING, RETURN	1	1	1	1	1	1		
44	1	714699-61700	GOVERNOR ASSY	1	1	1	1	1	1		
45	2	114699-61210	WEIGHT ASSY,GOVERNOR	1	1	1	1	1	1		
50	1	114299-66060	HANDLE ASSY								1
53	2	26117-050089	BOLT, M5X 8 PLATED								1
54	1	114299-66101	BRACKET								1
55	1	114252-66252	SPRING, RETURN								1
56	1	114299-66440	BOLT, ADJUSTING								1
57	1	102100-67080	BOLT, ADJUSTING								1
58	1	160725-78350	KNOB								1
59	1	26106-060142	BOLT, M6X 14 PLATED								1
60	1	26106-060202	BOLT, M6X 20 PLATED								1
61	1	26347-060002	NUT, M6								1
62	1	26757-060002	NUT, LOCK M6								2
63	1	183250-66500	BRACKET ASSY	1	1	1			1	1	1
64	2	183250-66070	SHAFT, HANDLE	1	1	1			1	1	1
65	2	183250-66100	BRACKET, RADIATOR	1	1	1			1	1	1
66	2	183250-66050	HANDLE, REGULATOR	1	1	1			1	1	1
67	2	114250-66440	BOLT, ADJUSTING	1	1	1			1	1	1
68	2	104200-66820	SPRING	1	1	1			1	1	1
69	2	104200-66831	PLATE, FRICTION	2	2	2			2	2	1
70	2	104200-66850	WASHER	1	1	1			1	1	1
71	2	26696-100002	NUT, LOCK M10	1	1	1			1	1	1
72	2	26757-060002	NUT, LOCK M6	1	1	1			1	1	1

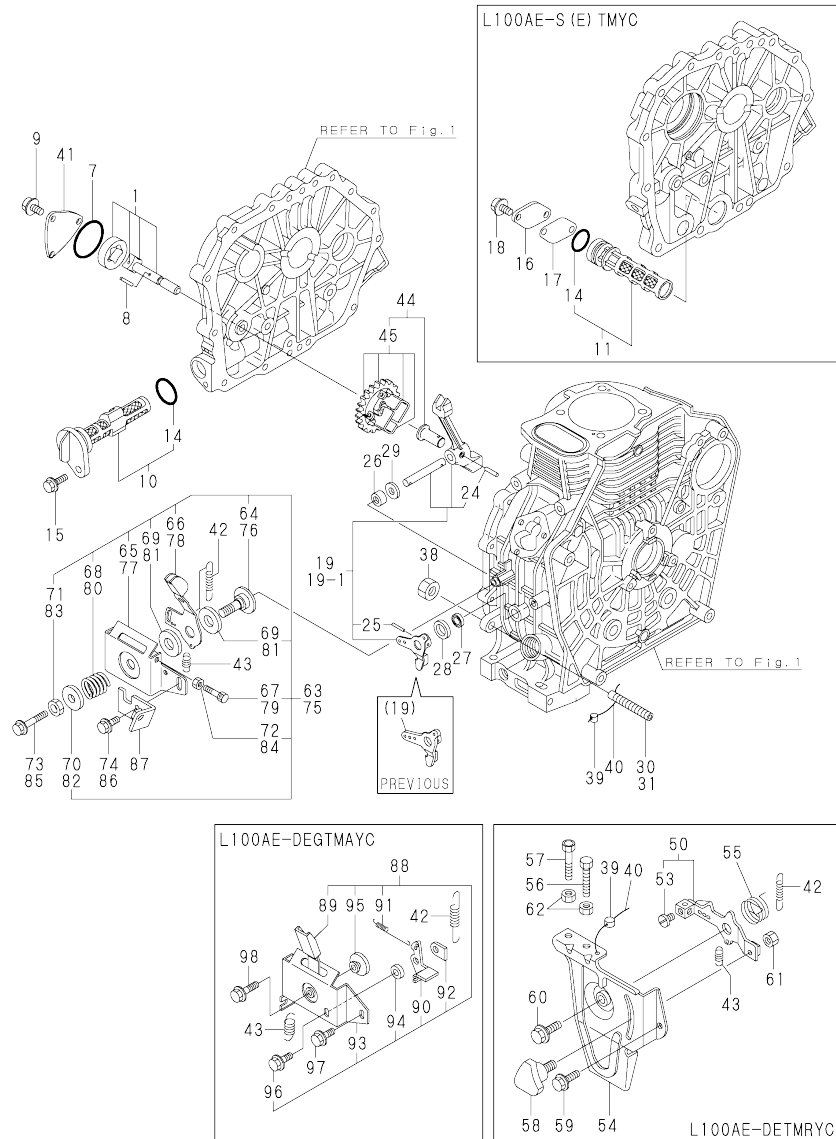
Remarks

- (1)FOR L100AE-DPTMYC,L100AE-DTMYC,
L100AE-DEGTMAYC,L100AE-DEPTMYC,
L100AE-DETMRYC,L100AE-DGTMAYC,
L100AE-STMYC.
- (2)FOR L100AE-DGTMAYC,L100AE-SETMYC.
- (3)FOR L100AE-DEGTMAYC.

Fig.5. LUB.OIL PUMP & GOVERNOR

(A)=L100AED(P)TM
 (B)=L100AEDEGTM(
 (C)=L100AEDE(P)T

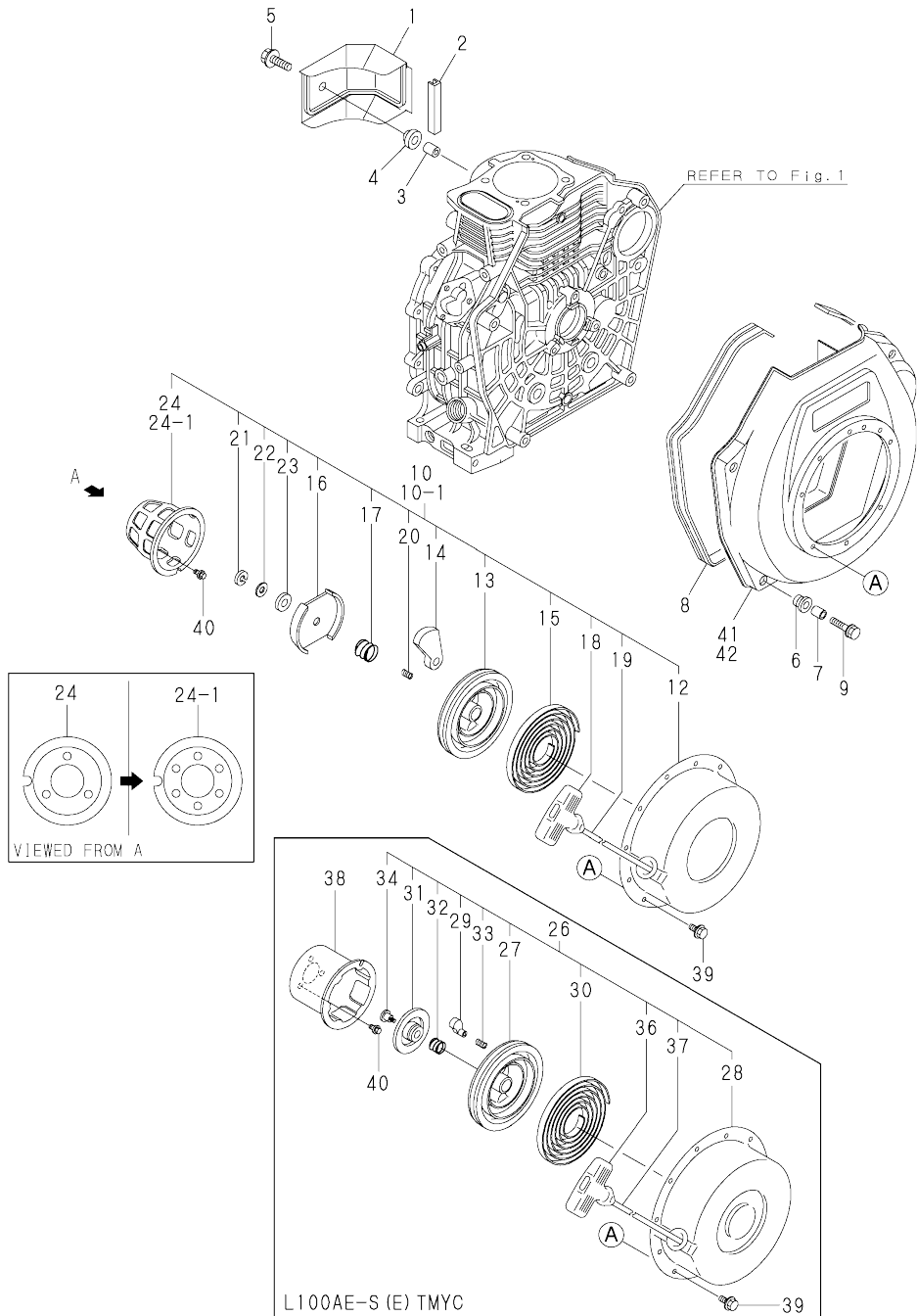
(D)=L100AEDETRMRY
 (E)=L100AEDGTM(A
 (F)=L100AES(E)TM



No.	Lev.	Parts No.	Description	Q'ty						I	R
				(A)	(B)	(C)	(D)	(E)	(F)		
73	1	26106-060452	BOLT, M6X 45 PLATED	1	1	1		1	1	1	
74	1	26476-060142	SCREW, TAPPING M6X14	1	1	1		1	1	1	
75	1	114254-66200	BRACKET ASSY, HANDLE					1	1	2	
76	2	183250-66070	SHAFT, HANDLE					1	1	2	
77	2	183250-66100	BRACKET, RADIATOR					1	1	2	
78	2	114254-66210	HANDLE, REGULATOR					1	1	2	
79	2	114250-66440	BOLT, ADJUSTING					1	1	2	
80	2	104200-66820	SPRING					1	1	2	
81	2	104200-66831	PLATE, FRICTION					2	2	2	
82	2	104200-66850	WASHER					1	1	2	
83	2	26696-100002	NUT, LOCK M10					1	1	2	
84	2	26757-060002	NUT, LOCK M6					1	1	2	
85	1	26106-060452	BOLT, M6X 45 PLATED					1	1	2	
86	1	26476-060142	SCREW, TAPPING M6X14					1	1	2	
87	1	114254-66220	SUPPORT					1	1	2	
88	1	183250-66511	BRACKET ASSY, HANDLE			1				3	
89	2	183250-66301	HANDLE			1				3	
90	2	183250-66321	LEVER, LOCK			1				3	
91	2	183250-66331	SPRING			1				3	
92	2	183250-66341	NUT, LOCK			1				3	
93	2	183250-66351	BRACKET			1				3	
94	2	183250-66361	COLLAR			1				3	
95	2	183250-66371	COLLAR			1				3	
96	2	26106-060162	BOLT, M6X 16 PLATED			1				3	
97	1	26106-060142	BOLT, M6X 14 PLATED			1				3	
98	1	26106-060202	BOLT, M6X 20 PLATED			1				3	

Remarks
 (1)FOR L100AE-DPTMYC,L100AE-DTMYC,
 L100AE-DEGTMAYC,L100AE-DEPTMYC,
 L100AE-DETRMRY,L100AE-DGTMAYC,
 L100AE-STMYC.
 (2)FOR L100AE-DGTMAYC,L100AE-SETMYC.
 (3)FOR L100AE-DEGTMAYC.

Fig.6. COOLING & STARTING DEVICE



(A)=L100AED(P)TM
(B)=L100AEDGTM
(C)=L100AED(P)T

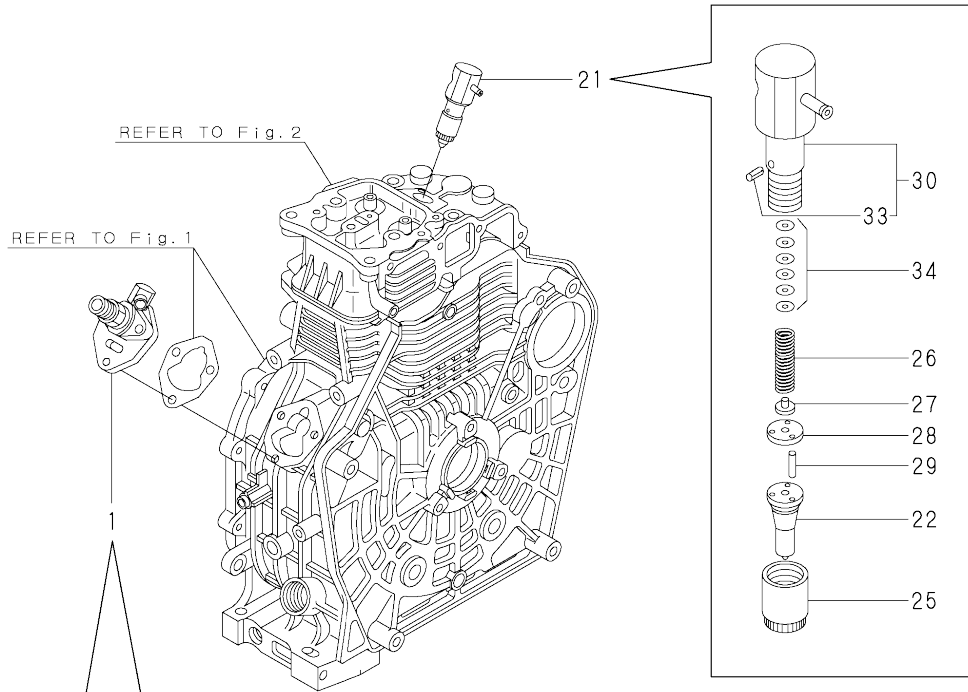
(D)=L100AEDETMRY
(E)=L100AEDGTM(A)
(F)=L100AES(E)TM

No.	Lev.	Parts No.	Description	Q'ty						I	R
				(A)	(B)	(C)	(D)	(E)	(F)		
1	1	114699-45210	COVER	1	1	1	1	1	1		
2	1	114350-45320	RUBBER, SEAL	1	1	1	1	1	1		
3	1	114399-45340	COLLAR	1	1	1	1	1	1		
4	1	183720-55210	GROMMET	1	1	1	1	1	1		
5	1	26106-060202	BOLT, M6X 20 PLATED	1	1	1	1	1	1		
6	1	114250-45301	ABSORBER	4	4	4	4	4	4		
7	1	114299-45310	COLLAR	4	4	4	4	4	4		
8	1	114650-45330	SEAL, FAN CASE L=950	1	1	1	1	1	1		
9	1	114370-45351	BOLT	4	4	4	4	4	4		
10	1	114699-76070	STARTER ASSY, RECOIL	1	1	1	1	1	1		
10-1	1	114699-76071	STARTER ASSY, RECOIL	1	1	1	1	1	1		N
		(A=EXXX)	(B=EXXX)	(C=EXXX)	(D=EXXX)	(E=EXXX)					
12	2	114699-76510	CASE, STARTER	1	1	1	1	1	1		
13	2	114699-76520	REEL	1	1	1	1	1	1		
14	2	114699-76530	RATCHET	2	2	2	2	2	2		
15	2	114699-76540	SPRING, SPIRAL	1	1	1	1	1	1		
16	2	114699-76550	GUIDE, RATCHET	1	1	1	1	1	1		
17	2	114699-76560	SPRING, FRICTION	1	1	1	1	1	1		
18	2	114699-76620	KNOB, STARTER	1	1	1	1	1	1		
19	2	114699-76630	ROPE, STARTER	1	1	1	1	1	1		
20	2	114699-76650	SPRING, RETURN	1	1	1	1	1	1		
21	2	114699-76660	CIRCLIP	1	1	1	1	1	1		
22	2	114699-76670	WASHER	1	1	1	1	1	1		
23	2	114699-76680	WASHER	1	1	1	1	1	1		
24	2	114699-76590	PULLEY, STARTER	1	1	1	1	1	1		
24-1	2	114699-76591	PULLEY, STARTER	1	1	1	1	1	1		S
		(A=EXXX)	(B=EXXX)	(C=EXXX)	(D=EXXX)	(E=EXXX)					
26	1	114650-76251	STARTER ASSY, RECOIL								1
27	2	114880-76520	REEL								1
28	2	114650-76531	CASE, STARTER								1
29	2	114870-76530	RATCHET								2
30	2	114870-76540	SPRING, SPIRAL								1
31	2	114870-76550	GUIDE, RATCHET								1
32	2	114870-76560	SPRING, FRICTION								1
33	2	114870-76570	SPRING, RETURN								2
34	2	114870-76580	SCREW								1
36	2	114870-76620	KNOB, STARTER								1
37	2	114650-76631	ROPE, STARTER								1
38	1	114660-76592	PULLEY, STARTER								1
39	1	26106-060082	BOLT, M6X 8 PLATED	4	4	4	4	4	4		4
40	1	26106-060122	BOLT, M6X 12 PLATED	3	3	3	3	3	3		3
41	1	114699-45100-1	CASE, COOLING FAN	1	1	1	1	1	1		1
42	1	114658-45102-2	CASE, COOLING FAN								1

Fig.7. FUEL INJECTION PUMP

(A)=L100AED(P)TM
 (B)=L100AEDGTM
 (C)=L100AED(P)T

(D)=L100AEDETMRY
 (E)=L100AEDGTM(A)
 (F)=L100AES(E)TM



No.	Lev.	Parts No.	Description	Q'ty						I	R
				(A)	(B)	(C)	(D)	(E)	(F)		
1	1	783986-51400	PUMP ASSY, INJECTION	1	1	1	1	1	1		
2	2	105546-51020	GASKET	1	1	1	1	1	1		
3	2	114250-51080	PLATE	1	1	1	1	1	1		
4	2	183986-51400	BODY ASSY, PUMP	1	1	1	1	1	1		
9	2	114250-51160	SPRING, PLUNGER	1	1	1	1	1	1		
10	2	114650-51300	VALVE ASSY, DELIVERY	1	1	1	1	1	1		
13	2	105546-51330	SPRING, DELIVERY	1	1	1	1	1	1		
14	2	114250-51340	HOLDER, DELIVERY	1	1	1	1	1	1		
15	2	124550-51350	GASKET, DELIVERY	2	2	2	2	2	2		
16	2	114250-51600	LEVER ASSY, CONTROL	1	1	1	1	1	1		
17	2	114250-51640	SEAT, SPRING A	1	1	1	1	1	1		
18	2	114250-51650	SEAT, SPRING B	1	1	1	1	1	1		
19	2	22351-020006	PIN, SPRING 2.0X 6	2	2	2	2	2	2		
20	2	22351-030008	PIN, SPRING 3.0X 8	1	1	1	1	1	1		
21	1	714650-53100	VALVE ASSY, INJECTION	1	1	1	1	1	1		
22	2	114650-53000	VALVE ASSY, INJECTION	1	1	1	1	1	1		
25	2	114250-53080	NUT, NOZZLE D16.95	1	1	1	1	1	1		
26	2	114250-53120	SPRING, NOZZLE	1	1	1	1	1	1		
27	2	114250-53130	SEAT, SPRING	1	1	1	1	1	1		
28	2	114250-53140	PLATE	1	1	1	1	1	1		
29	2	114250-53210	PIN	2	2	2	2	2	2		
30	2	114650-53300	HOLDER ASSY, NOZZLE	1	1	1	1	1	1		
33	3	114250-53331	PIN	1	1	1	1	1	1		
34	2	114250-53400	SHIM SET	1	1	1	1	1	1		

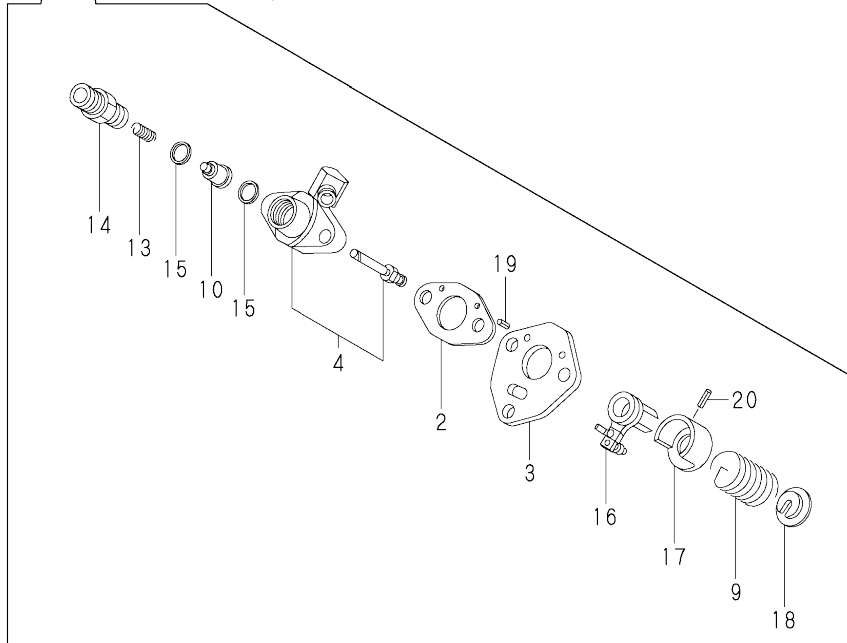
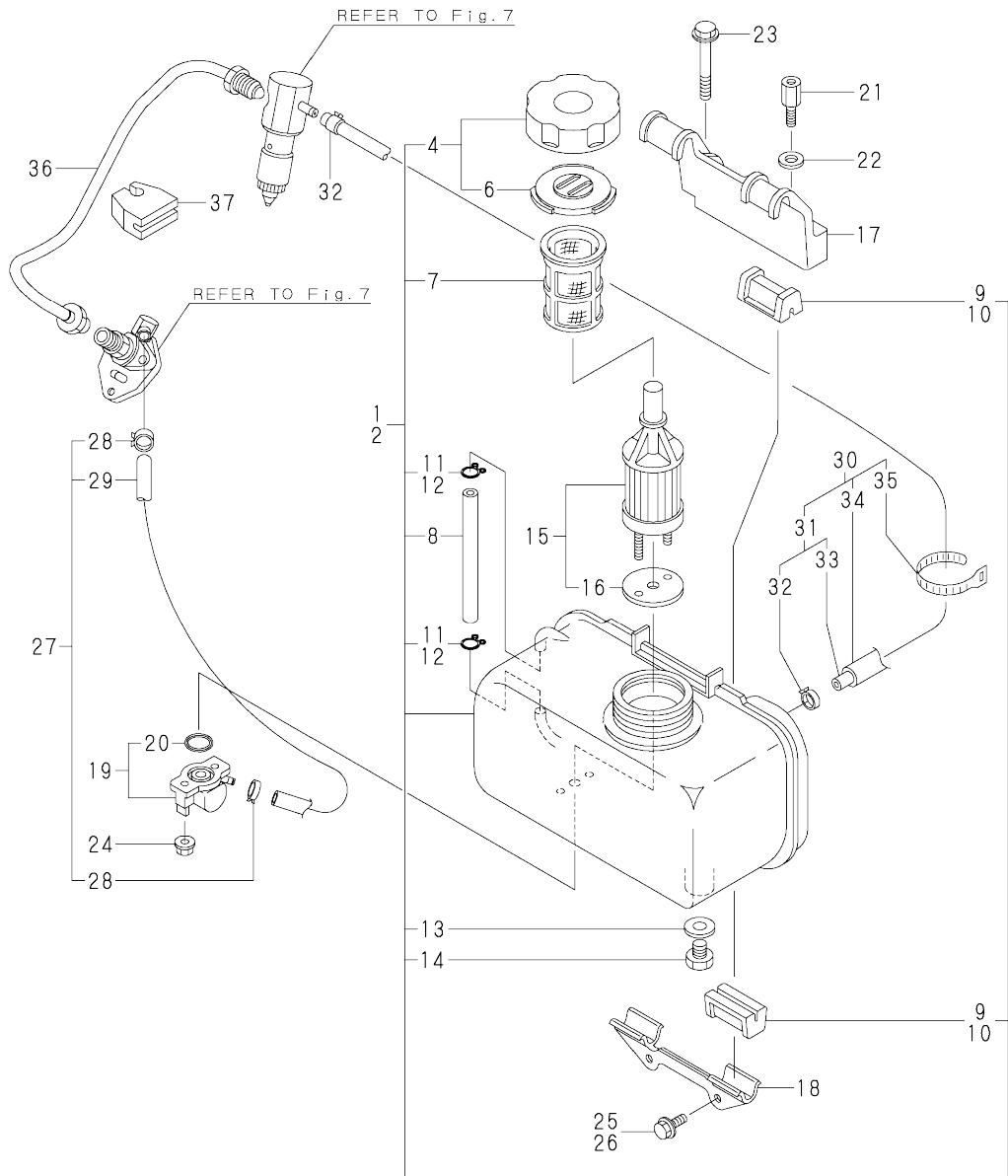


Fig.8. FUEL TANK & FUEL PIPE

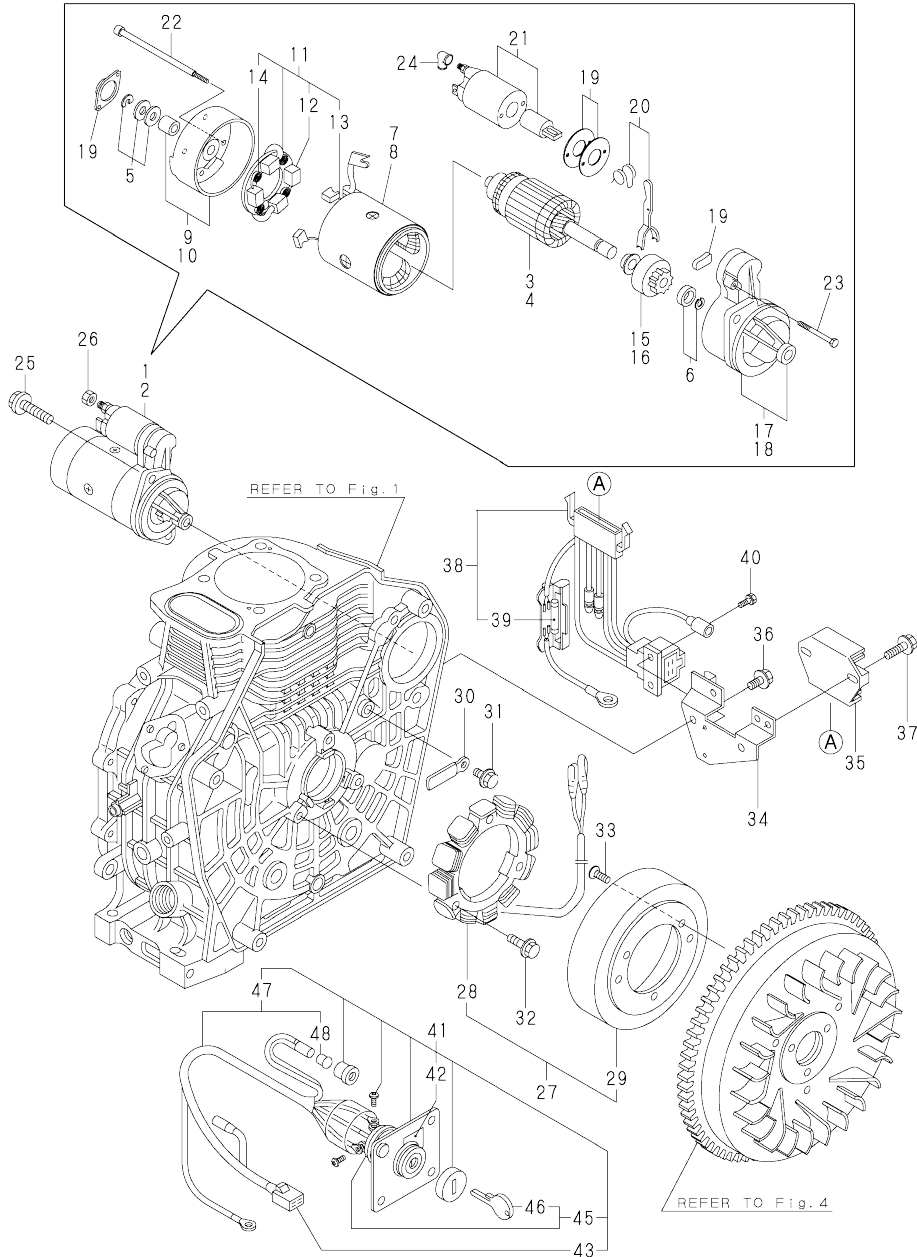


(A)=L100AED(P)TM
(B)=L100AEDEGTM(
(C)=L100AEDE(P)T

(D)=L100AEDETRMRY
(E)=L100AEDGTM(A
(F)=L100AES(E)TM

No.	Lev.	Parts No.	Description	Q'ty						I	R
				(A)	(B)	(C)	(D)	(E)	(F)		
1	1	714668-55730-1	TANK ASSY, FUEL	1	1	1	1	1			
2	1	714668-55740-1	TANK ASSY, FUEL							1	
4	2	114288-55041	CAP ASSY	1	1	1	1	1	1	1	
6	3	114288-55081	VALVE	1	1	1	1	1	1	1	
7	2	114250-55100	FILTER, FUEL	1	1	1	1	1	1	1	
8	2	114650-55150	GAUGE, LEVEL	1	1	1	1	1	1	1	
9	2	114250-55201	DAMPER, FUEL TANK	4	4	4	4	4			
10	2	114299-55201	DAMPER, FUEL TANK							4	
11	2	103854-55220	RETAINER	2	2	2	2	2			
12	2	114299-55450	CLIP, HOSE 7							2	
13	2	23414-080000	GASKET, 8X1.0	1	1	1	1	1	1	1	
14	2	105300-55080	PLUG, 8	1	1	1	1	1	1	1	
15	1	114250-55121	FILTER ASSY, FUEL	1	1	1	1	1	1	1	
16	2	114250-55130	GASKET	1	1	1	1	1	1	1	
17	1	114699-55230	STAY, FUEL TANK	1	1	1	1	1	1	1	
18	1	114299-55210	STAY, FUEL TANK	1	1	1	1	1	1	1	
19	1	114250-55301	COCK ASSY, FUEL	1	1	1	1	1	1	1	
20	2	24341-000150	O-RING, 1AS15.0	1	1	1	1	1	1	1	
21	1	114650-55810	BOLT	1	1	1	1	1	1	1	
22	1	22117-080000	WASHER, 8	1	1	1	1	1	1	1	
23	1	26106-080452	BOLT, M8X 45 PLATED	1	1	1	1	1	1	1	
24	1	26366-060002	NUT, M6	2	2	2	2	2	2	2	
25	1	26476-060142	SCREW, TAPPING M6X14	2	2	2	2	2	2		
26	1	26106-060162	BOLT, M6X 16 PLATED							2	
27	1	114770-59030	PIPE ASSY, FUEL	1	1	1	1	1	1	1	
28	2	114270-59010	CLIP, HOSE 12	2	2	2	2	2	2	2	
29	2	114268-59061	PIPE, FUEL L=50	1	1	1	1	1	1	1	
30	1	114652-59300	PIPE, FUEL RETURN	1	1	1	1	1	1	1	
31	2	114652-59100	PIPE ASSY, FUEL	1	1	1	1	1	1	1	
32	3	124722-59050	CLIP, HOSE 9	2	2	2	2	2	2	2	
33	3	114650-59060	PIPE, FUEL RETURN	1	1	1	1	1	1	1	
34	2	114652-59310	TUBE, PROTECT	1	1	1	1	1	1	1	
35	2	121750-59890	BAND, 140	1	1	1	1	1	1	1	
36	1	114650-59811	PIPE ASSY, INJECTION	1	1	1	1	1	1	1	
37	1	114650-59850	SUPPORT	1	1	1	1	1	1	1	

Fig.9. STARTING MOTOR

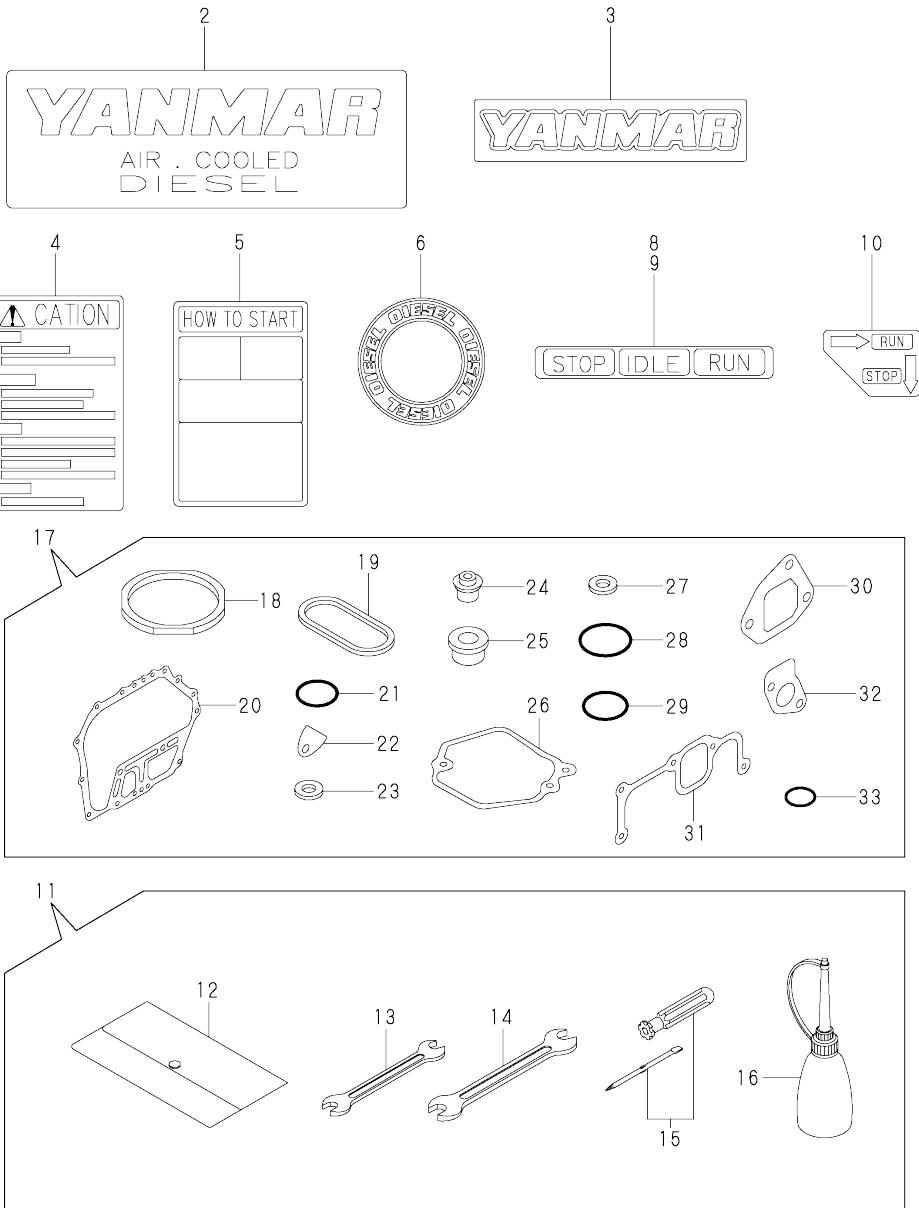


(A)=L100AED(P)TM
 (B)=L100AEDGTM(A)
 (C)=L100AED(E)PTM
 (D)=L100AEDETMRY
 (E)=L100AEDGTM(A)
 (F)=L100AES(E)TM

No.	Lev.	Parts No.	Description	Q'ty						I	R
				(A)	(B)	(C)	(D)	(E)	(F)		
1	1	114362-77011	STARTER(S114-651A)	1	1	1					
2	1	114351-77011	STARTER (S114-413A						1		1
3	2	114381-77110	ARMATURE	1	1	1					
4	2	114371-77110	ARMATURE						1		1
5	2	X2114811000	WASHER KIT, THRUST	1	1	1			1		1
6	2	X2114715500	STOPPER SET, PINION	1	1	1			1		1
7	2	114381-77130	COIL ASSY, FIELD	1	1	1					
8	2	114371-77130	COIL ASSY, FIELD						1		1
9	2	114381-77140	COVER, REAR	1	1	1					
10	2	114371-77140	COVER ASSY, REAR						1		1
11	2	114371-77160	HOLDER ASSY, BRUSH	1	1	1			1		1
12	3	114371-79040	BRUSH (-)	2	2	2			2		1
13	3	114371-79050	BRUSH (+)	1	1	1			1		1
14	3	114371-79060	SPRING, BRUSH	4	4	4			4		1
15	2	X211485016	PINION ASSY	1	1	1					
16	2	119226-77650	CLUTCH ASSY						1		1
17	2	114381-77151	HOUSING ASSY, GEAR	1	1	1					
18	2	114371-77151	CASE ASSY,GEAR						1		1
19	2	114371-77170	COVER KIT, DUST	1	1	1			1		1
20	2	114371-77180	LEVER KIT, SHIFT	1	1	1			1		1
21	2	124298-77020	SWITCH, MAGNETIC	1	1	1			1		1
22	2	124195-77770	THROUGH BOLT	2	2	2			2		1
23	2	114371-79070	BOLT M 6X 37	2	2	2			2		1
24	2	X2114274200	COVER, TERMINAL	1	1	1			1		1
25	1	26106-100302	BOLT, M10X 30 PLATED	2	2	2			2		1
26	1	26716-080002	NUT, M8	1	1	1			1		1
27	1	114399-78260	DYNAMO ASSY	1	1	1			1		1
28	2	114399-78730	STATOR ASSY	1	1	1			1		1
29	2	114399-78740	WHEEL, DYNAMO	1	1	1			1		1
30	1	160710-78710	CLAMP, CORD	1	1	1			1		1
31	1	26106-060122	BOLT, M6X 12 PLATED	1	1	1			1		1
32	1	26106-060202	BOLT, M6X 20 PLATED	3	3	3			3		1
33	1	26577-060142	SCREW M 6X 14	3	3	3			3		1
34	1	114385-77400	BRACKET	1	1	1			1		1
35	1	119660-77710	LIMITER, CURRENT 15A	1	1	1			1		1
36	1	26106-060122	BOLT, M6X 12 PLATED	2	2	2			2		1
37	1	26106-060202	BOLT, M6X 20 PLATED	2	2	2			2		1
38	1	114351-77540	HARNES, WIRE	1	1	1			1		1
39	2	29411-200000	FUSE, CARTRIDGE 20A	2	2	2			2		1
40	1	26023-040102	SCREW, M4X10	2	2	2			2		1
41	1	114351-77500	PANEL ASSY	1	1	1			1		1
42	2	105198-07120	LABEL, STARTER	1	1	1			1		1
43	2	114351-77520	COUPLER	1	1	1			1		1
45	2	106100-77620	SWITCH, KEY	1	1	1			1		1
46	3	106100-77630	KEY, SWITCH	1	1	1			1		1
47	2	114351-77700	HARNES, WIRE	1	1	1			1		1
48	3	29220-083200	BULB (12V/3.4W)	1	1	1			1		1

Remarks
 (1)IT IS NOT USED FOR L100AE-STMYC.

Fig.10. TOOL,LABEL & GASKET SET



(A)=L100AED(P)TM
(B)=L100AEDGTM
(C)=L100AED(P)T

(D)=L100AEDETMRY
(E)=L100AEDGTM(A)
(F)=L100AES(E)TM

No.	Lev.	Parts No.	Description	Q'ty						I	R
				(A)	(B)	(C)	(D)	(E)	(F)		
2	1	114299-07100	LABEL, AIR COOLED	1	1	1	1	1	1		
3	1	114299-07110	LABEL, YANMAR	1	1	1	1	1	1		
4	1	114299-07120	LABEL, CAUTION	1	1	1	1	1	1		
5	1	114299-07140	LABEL, HOW TO START	1	1	1	1	1	1		
6	1	114299-07160	LABEL, DIESEL	1	1	1	1	1	1		
8	1	183250-07230	LABEL, OPERATION	1				1	1		
9	1	183250-07230	LABEL, OPERATION		1						1
10	1	183250-07480	LABEL, RUN-STOP		1						2
11	1	114299-92590	BOX, TOOL	1	1	1	1	1	1		
12	2	114299-92600	BAG, TOOL	1	1	1	1	1	1		
13	2	114299-92710	WRENCH	1	1	1	1	1	1		
14	2	114299-92720	WRENCH	1	1	1	1	1	1		
15	2	114299-92730	DRIVER	1	1	1	1	1	1		
16	2	114299-92740	DIPSTICK	1	1	1	1	1	1		
17	1	714988-92610	GASKET SET	1	1	1	1	1	1		3
18	2	114699-01330	GASKET, HEAD	1	1	1	1	1	1		
19	2	114699-01380	O-RING	1	1	1	1	1	1		
20	2	114699-01410	GASKET, CRANK CASE	1	1	1	1	1	1		
21	2	114299-01950	O-RING, 18	1	1	1	1	1	1		
22	2	114299-01840	GASKET	1	1	1	1	1	1		
23	2	22190-160002	WASHER, SEAL 16	2	2	2	2	2	2		
24	2	114650-11340	SEAL, VALVE STEM	2	2	2	2	2	2		
25	2	114250-11460	GASKET, NOZZLE	1	1	1	1	1	1		
26	2	114699-11320	GASKET, BONNET	1	1	1	1	1	1		
27	2	23414-080000	GASKET, 8X1.0	1	1	1	1	1	1		
28	2	114299-32570	O-RING	1	1	1	1	1	1		
29	2	24341-000224	O-RING, 1AS22.4	1	1	1	1	1	1		
30	2	114699-12210	GASKET, AIR CLEANER	1	1	1	1	1	1		
31	2	114699-12200	GASKET	1	1	1	1	1	1		
32	2	114699-13200	GASKET, MUFFLER	1	1	1	1	1	1		
33	2	24341-000150	O-RING, 1AS15.0	1	1	1	1	1	1		

Remarks
(1)FOR L100AE-DEGTMYC.
(2)FOR L100AE-DEGTMAYC.
(3)OPTIONAL

Parts No. Index

Parts No.	Fig. No.	Ref. No.
102100-67080	5	57
103854-55220	8	11
104200-66820	5	68
		80
104200-66831	5	69
		81
104200-66850	5	70
		82
104211-11370	2	13
		26
105198-07120	9	42
105300-23200	4	41
105300-55080	8	14
105425-01690	1	18
		47
105546-51020	7	2
105546-51330	7	13
106100-77620	9	45
106100-77630	9	46
114250-03591	2	35
114250-03640	2	38
114250-11240	2	19
		24
114250-11460	2	14
	10	25
114250-12300	3	10
114250-35250	5	16
114250-35271	5	17
114250-45301	6	6
114250-51080	7	3
114250-51160	7	9
114250-51340	7	14
114250-51600	7	16
114250-51640	7	17
114250-51650	7	18
114250-53080	7	25
114250-53120	7	26
114250-53130	7	27
114250-53140	7	28
114250-53210	7	29
114250-53331	7	33
114250-53400	7	34
114250-55100	8	7
114250-55121	8	15
114250-55130	8	16
114250-55201	8	9
114250-55301	8	19
114250-66440	5	67
		79
114252-12550	3	9

Parts No.	Fig. No.	Ref. No.
114252-12560	3	4
114252-66252	5	55
114254-66200	5	75
114254-66210	5	78
114254-66220	5	87
114268-59061	8	29
114270-01600	1	12
114270-59010	8	28
114288-55041	8	4
114288-55081	8	6
114299-01800	1	34
114299-01830	1	6
114299-01840	1	11
	10	22
114299-01950	1	21
	10	21
	1	23
114299-02030	1	23
114299-07100	10	2
114299-07110	10	3
114299-07120	10	4
114299-07140	10	5
114299-07160	10	6
114299-11901	2	10
114299-32070	5	41
114299-32570	5	7
	10	28
114299-35100	5	11
114299-35110	5	10
114299-35150	1	16
114299-45310	6	7
114299-55201	8	10
114299-55210	8	18
114299-55450	8	12
114299-61190	5	29
114299-61600	5	27
114299-66060	5	50
114299-66101	5	54
114299-66200	5	43
114299-66440	5	56
114299-92590	10	11
114299-92600	10	12
114299-92710	10	13
114299-92720	10	14
114299-92730	10	15
114299-92740	10	16
114350-11470	2	15
114350-45320	6	2
114351-77011	9	2
114351-77500	9	41
114351-77520	9	43

Parts No.	Fig. No.	Ref. No.
114351-77540	9	38
114351-77700	9	47
114362-77011	9	1
114370-45351	6	9
114371-77110	9	4
114371-77130	9	8
114371-77140	9	10
114371-77151	9	18
114371-77160	9	11
114371-77170	9	19
114371-77180	9	20
114371-79040	9	12
114371-79050	9	13
114371-79060	9	14
114371-79070	9	23
114381-77110	9	3
114381-77130	9	7
114381-77140	9	9
114381-77151	9	17
114385-77400	9	34
114399-01700	1	4
114399-45340	6	3
114399-78260	9	27
114399-78730	9	28
114399-78740	9	29
114650-01240	1	8
114650-01453	1	42
114650-02100	1	44
114650-02150	1	24
114650-02200	1	29
114650-02210	1	30
114650-07450	3	8
114650-11011	2	1
114650-11100	2	5
114650-11261	2	11
114650-11340	2	12
	10	24
114650-11652	2	17
114650-12511	3	1
114650-12520	3	2
114650-12531	3	3
114650-12591	3	5
114650-14200	4	7
114650-14402	4	9
114650-32010	5	1
114650-45330	6	8
114650-51300	7	10
114650-53000	7	22
114650-53300	7	30
114650-55150	8	8

Parts No.	Fig. No.	Ref. No.
114650-55810	8	21
114650-59060	8	33
114650-59811	8	36
114650-59850	8	37
114650-66500	5	30
114650-66600	5	31
114650-76251	6	26
114650-76531	6	28
114650-76631	6	37
114651-21601	4	76
114652-59100	8	31
114652-59300	8	30
114652-59310	8	34
114654-11110	2	6
114658-45102-2	6	42
114660-76592	6	38
114662-21601	4	72
114699-01200	1	7
114699-01220	1	31
114699-01230	1	32
114699-01250	1	9
114699-01330	1	33
	10	18
114699-01380	1	10
	10	19
114699-01410	1	40
	10	20
114699-01450	1	41
114699-01760	1	19
114699-11120	2	7
114699-11320	2	31
	10	26
114699-11600	2	16
114699-11950	2	33
114699-12020	3	11
114699-12200	3	26
	10	31
114699-12210	3	25
	10	30
114699-13200	3	15
	10	32
114699-13800	3	24
114699-21220	4	23
114699-21420	4	69
114699-21450	4	73
114699-21550	4	24
114699-21570	4	74
114699-21590	4	70
114699-22300	4	36
114699-45100-1	6	41

Parts No. Index

Parts No.	Fig. No.	Ref. No.
114699-45210	6	1
114699-55230	8	17
114699-61210	5	45
114699-66010	5	42
114699-76070	6	10
114699-76071	6	10 -1
114699-76510	6	12
114699-76520	6	13
114699-76530	6	14
114699-76540	6	15
114699-76550	6	16
114699-76560	6	17
114699-76590	6	24
114699-76591	6	24 -1
114699-76620	6	18
114699-76630	6	19
114699-76650	6	20
114699-76660	6	21
114699-76670	6	22
114699-76680	6	23
114770-59030	8	27
114770-61520	5	26
114770-61610	5	28
114771-14260	4	8
114870-76530	6	29
114870-76540	6	30
114870-76550	6	31
114870-76560	6	32
114870-76570	6	33
114870-76580	6	34
114870-76620	6	36
114880-76520	6	27
114970-01022	1	1
114970-13551	3	16
114970-13561	3	18
114970-13700	3	19
114970-13710	3	20
119226-77650	9	16
119620-11180	2	8
119660-77710	9	35
121750-59890	8	35
124060-23100	4	40
124195-77770	9	22
124298-77020	9	21
124550-51350	7	15
124722-59050	8	32
129792-22400	4	37
135210-61090	5	39
160260-01580	3	17
160710-78710	9	30

Parts No.	Fig. No.	Ref. No.
160725-78350	5	58
160842-21150	4	80
160842-21250	4	82
160842-21260	4	78
		79
183250-07230	10	8
		9
183250-07480	10	10
183250-66050	5	66
183250-66070	5	64
		76
183250-66100	5	65
		77
183250-66301	5	89
183250-66321	5	90
183250-66331	5	91
183250-66341	5	92
183250-66351	5	93
183250-66361	5	94
183250-66371	5	95
183250-66500	5	63
183250-66511	5	88
183720-55210	6	4
183986-51400	7	4
22117-080000	8	22
22190-160002	1	22
		48
	10	23
22312-030160	2	40
	5	8
22322-030200	5	24
		25
22351-020006	7	19
22351-030008	7	20
22351-040008	2	27
22451-060000	5	40
22512-050140	4	25
22512-070360	4	81
23414-080000	8	13
	10	27
23876-010000	1	50
24101-062030	4	48
24101-062070	1	49
24101-063030	4	77
24162-152112	1	25
24341-000150	8	20
	10	33
24341-000224	5	14
	10	29
24423-355008	1	26

Parts No.	Fig. No.	Ref. No.
24423-355008	1	27
26023-040102	9	40
26106-060082	6	39
26106-060122	5	18
	6	40
	9	31
		36
26106-060142	5	59
		97
26106-060162	5	15
		96
	8	26
26106-060202	5	60
		98
	6	5
	9	32
		37
26106-060252	3	12
26106-060452	5	73
		85
26106-060702	2	32
26106-080122	1	28
26106-080182	3	21
26106-080352	1	17
26106-080452	8	23
26106-100122	1	5
26106-100252	4	83
26106-100302	9	25
26106-100552	2	28
26117-050089	5	53
26216-080182	3	22
26226-060142	3	13
26226-060182	1	13
26226-060222	1	14
26226-060502	2	29
26226-060752	3	14
26306-080002	3	23
26347-060002	5	61
26366-060002	1	15
	2	30
	8	24
26476-060142	5	9
		74
		86
	8	25
26577-060142	9	33
26696-100002	5	71
		83
26716-080002	9	26
26757-060002	5	62

Parts No.	Fig. No.	Ref. No.
26757-060002	5	72
		84
26776-100002	5	38
26856-060002	2	20
		25
27310-070001	2	9
29220-083200	9	48
29411-200000	9	39
714650-23600	4	42
714650-23610	4	65
714650-23620	4	67
714650-53100	7	21
714650-61500	5	19
714650-61501	5	19 -1
71465G-23700	4	38
714668-21700	4	10
714668-55730-1	8	1
714668-55740-1	8	2
714670-11660	2	21
714679-14670	4	2
714679-21710	4	13
714689-21730	4	12
714689-21760	4	11
714699-14580	4	1
714699-61700	5	44
714970-22500	4	30
714970-22540	4	53
714970-22550	4	61
714970-22581	4	58
714970-22621	4	50
714970-22721	4	27
714970-28511	4	44
714980-22581	4	57
714980-22621	4	49
714980-22721	4	26
714988-92610	10	17
783986-51400	7	1
X2114274200	9	24
X2114715500	9	6
X2114811000	9	5
X211485016	9	15