

OCR10-M47000EN

## PREFACE

1.This Parts Catalog carries all parts incorporated in YANMAR Model L48AE - D(E),  
L100AE - D(E) engines manufactured since October, 1997.

2.Each illustration corresponds to the parts list on the following page.

3.When ordering parts, clearly write down the engine model and serial number, as well as  
the name and number of each part in your order sheet. This will help insure reliable  
delivery of the parts you have ordered.

**Directions for the Parts Catalog.**

1. The parts stipulated in this Parts Catalog are not necessarily standard equipped parts.
2. Parts may change without prior notice.
3. The following is an example of the Parts Catalog format.

0CF10-G21601 29. FUEL INJECTION PUMP(W/BOOST)

REF.	LEV.	PARTS NO.	DESCRIPTION	Q'TY						I	R
				(A)	(B)	(C)	(D)	(E)	(F)		
1		729595-51390	FUEL INJECTION PUMP	1	1	1	1	1	1		
1-1		729595-51391	FUEL INJECTION PUMP	1	1	1	1	1	1	N	1
3		26022-060162	SCREW M 6X 16		9	9	9	9	9		
3-1		26022-060162	SCREW M 6X 16		4	4	4	4	4	K	
4		129470-51040	CAMSHAFT	1	1	1	1	1	1		
5		122710-51050	BEARING, ROLLER	2	2	2	2	2	2		
6		129470-51060	RETAINER	1	1	1	1	1	1		

Remarks  
 (1) BOOST COMPENSATOR TYPE. OPTIONAL PART, TO E00155,(4JH-DT, 4JH-DTZ)

**① Ref. No.**

The Ref. No. listed may not be in accordance with the illustration Ref. No.  
 (Ex.) Illustration No. List Ref No.  
 1 1 (Before change) → 1-1 (After change)  
 For interchangeable symbols N, R and K, illustrations for new parts may be abbreviated.

**② Lev. (Level)**

Level indication  
 The numbers below indicate the level of relativity towards the main part.  
 1 ---- Main parts (Assembly parts)  
 2 ---- Sub component included in " 1 ".  
 3 ---- Sub component included in " 2 ".  
 Note) Parts that are not for sale are partially illustrated but not listed.

**③ Interchangeability Mark**

When a part change takes place, one of the following interchangeability symbols is indicated beside the part.

Symbol	Interchangeability	Contents note
N	Old ← Yes → New No →	New Part is interchangeable for Old Part but Old Part is not interchangeable for New Part.
Q	Old ← No → New Yes →	New Part is not interchangeable for Old Part but Old Part is interchangeable for New Part.
R	Old ← Yes → New Yes →	New/ Old Parts are both interchangeable.
S	Old ← No → New No →	New/ Old Parts are both not interchangeable.
W		Part newly added.
Z		Part discontinued.
F		Not interchangeable by a single part but interchangeable together with related parts.
K		Changes only for used parts quantities.

**④ Effective Machine No.**

When a part changes, the effective Machine No. will be indicated in the (A)-(F) column.

Product Symbol	Product No.	Product Symbol	Product No.
C	Clutch No. Compressor No.	F	Machine No. (Agricultural Equip.)
D	Drive No.	M	Machine No.
E	Engine No.		

- Note 1) A date may follow the symbol. (Ex.) 1996.01  
 Note 2) "XXXXX" and "ZZZZZ" are for parts that could not be predicted or for engine models that could not be identified.  
 Note 3) (A=E00185) is the E (Engine Serial Number) for the column (A) model (in this case 4JH-DT) after the parts design change.

**⑤ Remarks Mark**

Figures or alphabets (symbols) are entered in the remarks column.  
 The comments (remarks) on parts that are indicated at the bottom of the illustration are the same symbols as those stated above.

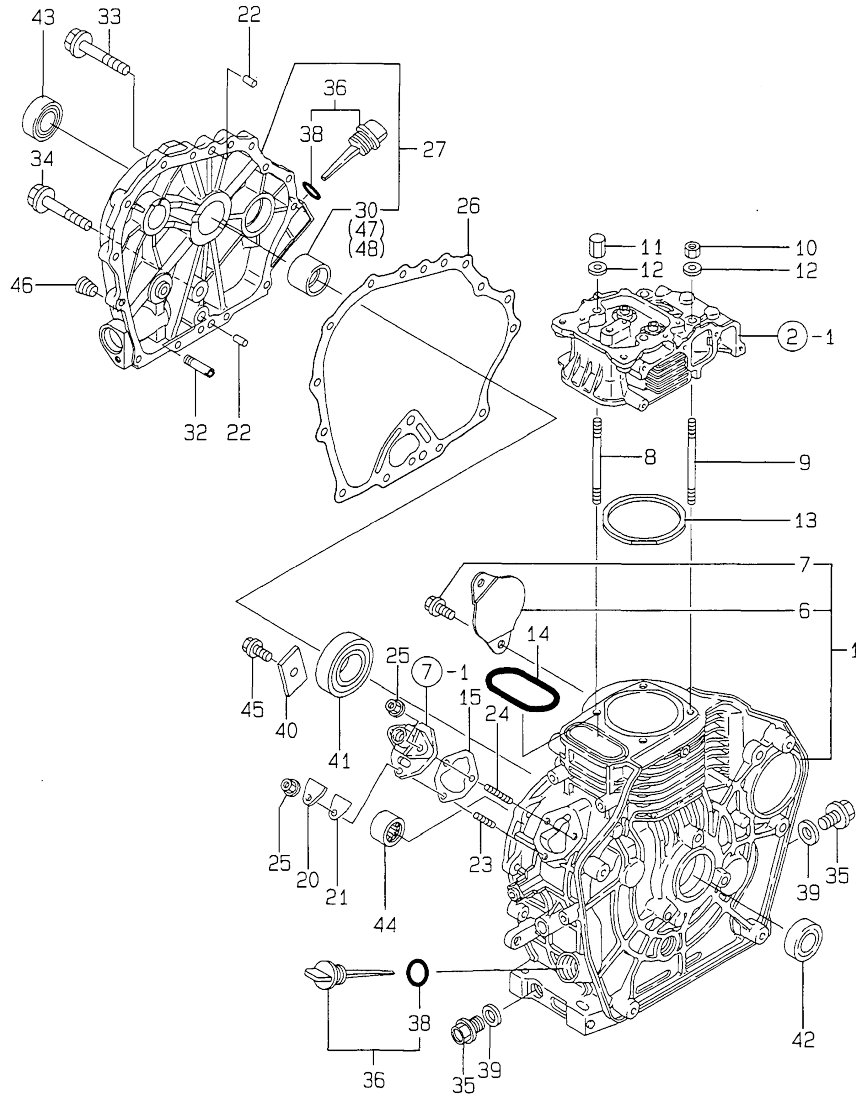
# Contents

OCR10-M47000

Fig. No.	Fig. Name	Fig. No.	Fig. Name
<b>ENGINE</b>			
1.	CYLINDER BLOCK		
2.	CYLINDER HEAD & BONNET		
3.	AIR CLEANER & MUFFLER		
4.	CRANKSHAFT, PISTON & CAMSHAFT		
5.	LUB. OIL PUMP & GOVERNOR		
6.	COOLING & STARTING DEVICE		
7.	FUEL INJECTION PUMP		
8.	FUEL TANK & FUEL PIPE		
9.	STARTER MOTOR & DYNAMO		
10.	TOOL, LABEL & GASKET SET		
11.	CYLINDER BLOCK		
12.	CYLINDER HEAD & BONNET		
13.	AIR CLEANER		
14.	MUFFLER		
15.	CRANKSHAFT, PISTON & CAMSHAFT		
16.	LUB. OIL PUMP & GOVERNOR		
17.	COOLING & STARTING DEVICE		
18.	FUEL INJECTION PUMP		
19.	FUEL TANK & FUEL PIPE		
20.	STARTER MOTOR & DYNAMO		
21.	TOOL, LABEL & GASKET SET		

Fig.1. CYLINDER BLOCK

1. CYLINDER BLOCK



(A)=L48AE-DI  
(B)=L48AE-DEI  
(C)=

(D)=  
(E)=  
(F)=

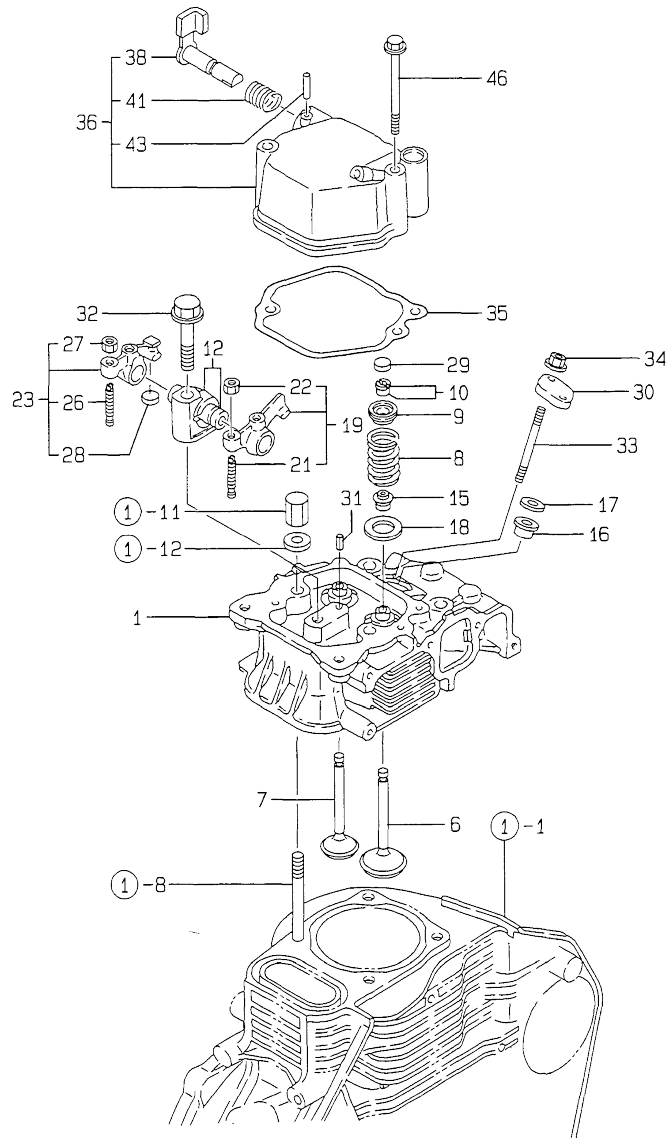
No.	Lev.	Parts No.	Description	Q'ty						I	R
				(A)	(B)	(C)	(D)	(E)	(F)		
1	1	714771-01560	BLOCK ASSY, CYLINDER	1	1						
6	2	114350-01700	COVER, STARTER	1	1						
7	2	26106-100122	BOLT, M10X 12 PLATED	2	2						
8	1	114250-01200	BOLT, HEAD A	2	2						
9	1	114250-01210	BOLT, HEAD B	2	2						
10	1	114250-01221	NUT, HEAD M8	2	2						
11	1	114250-01251	NUT, HEAD M8	2	2						
12	1	124950-01250	WASHER, HEAD BOLT	4	4						
13	1	114770-01340	GASKET, HEAD	1	1						G
14	1	114250-01380	O-RING, TAPPET	1	1						G
15	1	114250-01800	SHIM SET, PUMP	1	1						
20	1	114250-01830	COVER, CHECK HOLE	1	1						
21	1	114250-01841	GASKET, COVER	1	1						G
22	1	114270-01600	PIN, PARALLEL M8X12	2	2						
23	1	26226-060182	STUD, M6X 18	1	1						
24	1	26226-060222	STUD, M6X 22	2	2						
25	1	26366-060002	NUT, M6	3	3						
26	1	114250-01412	GASKET, CRANK CASE	1	1						G
27	1	114260-01455	COVER, CRANK CASE D	1	1						
30	2	114250-02100	METAL, MAIN	1	1						1
32	1	114250-35150	PIPE, OIL INLET	1	1						
33	1	26106-060252	BOLT, M6X 25 PLATED	14	14						
34	1	26106-080352	BOLT, M8X 35 PLATED	1	1						
35	1	105425-01690	PLUG, DRAIN M16	2	2						
36	1	160710-01760	CAP ASSY, OIL SUPPLY	2	2						
38	2	24311-000180	O-RING, 1AP18.0	2	2						G
39	1	22190-160002	WASHER, SEAL 16	2	2						G
40	1	114250-02030	RETAINER, BEARING	1	1						
41	1	114250-02113	BEARING, HR6306G3C3	1	1						
42	1	160110-02220	SEAL, OIL 30X45X8	1	1						
43	1	160210-02220	SEAL, OIL 25X41.2X8	1	1						
44	1	24162-152112	BEARING, 152112	1	1						
45	1	26106-080122	BOLT, M8X 12 PLATED	1	1						
46	1	23871-010000	PLUG, R01	1	1						
47	1	114250-02200	METAL, MAIN 0.25 US	1	1						2
48	1	114250-02210	METAL, MAIN 0.50 US	1	1						2

Remarks

- (1) Spare parts.
- (2) Under-sized parts.
- (G) These parts are sold by Fig.10 No.14.

Fig.2. CYLINDER HEAD & BONNET

2. CYLINDER HEAD & BONNET



(A)=L48AE-DI  
(B)=L48AE-DEI  
(C)=

(D)=  
(E)=  
(F)=

No.	Lev.	Parts No.	Description	Q'ty						I	R
				(A)	(B)	(C)	(D)	(E)	(F)		
1	1	114770-11020	HEAD ASSY, CYLINDER	1	1						
6	1	114250-11101	VALVE, INTAKE	1	1						
7	1	114250-11113	VALVE, EXHAUST	1	1						
8	1	114250-11120	SPRING, VALVE	2	2						
9	1	114250-11180	RETAINER, SPRING	2	2						
10	1	714250-11570	COTTER ASSY	2	2						
12	1	114250-11290	SUPPORT ASSY, ROCKER	1	1						
15	1	114250-11340	SEAL, VALVE STEM	2	2						G
16	1	114250-11460	GASKET, NOZZLE	1	1						G
17	1	114350-11470	SPACER, NOZZLE	1	1						
18	1	114250-11600	WASHER, VALVE SPRING	2	2						
19	1	114250-11651	ARM ASSY, ROCKER	1	1						
21	2	114250-11240	SCREW, VALVE ADJUST	1	1						
22	2	26756-060002	NUT, LOCK M6	1	1						
23	1	714270-11660	ARM ASSY, ROCKER EXH	1	1						
26	2	114250-11240	SCREW, VALVE ADJUST	1	1						
27	2	26756-060002	NUT, LOCK M6	1	1						
28	2	119260-11370	CAP, VALVE	1	1						
29	1	119260-11370	CAP, VALVE	1	1						
30	1	114250-11900	RETAINER, NOZZLE	1	1						
31	1	22351-040008	PIN, SPRING 4.0X 8	1	1						
32	1	26106-080452	BOLT, M8X 45 PLATED	1	1						
33	1	26226-060502	STUD, M6X 50	2	2						
34	1	26366-060002	NUT, M6	2	2						
35	1	114250-11311	GASKET, BONNET	1	1						G
36	1	114250-11951	BONNET ASSY, HEAD	1	1						
38	2	114250-03591	LEVER ASSY, DECOMP	1	1						
41	2	114250-03640	SPRING, DECOMPRESSION	1	1						
43	2	22312-030160	PIN, PARALLEL M3X16	1	1						
46	1	26106-060552	BOLT, M6X 55 PLATED	2	2						

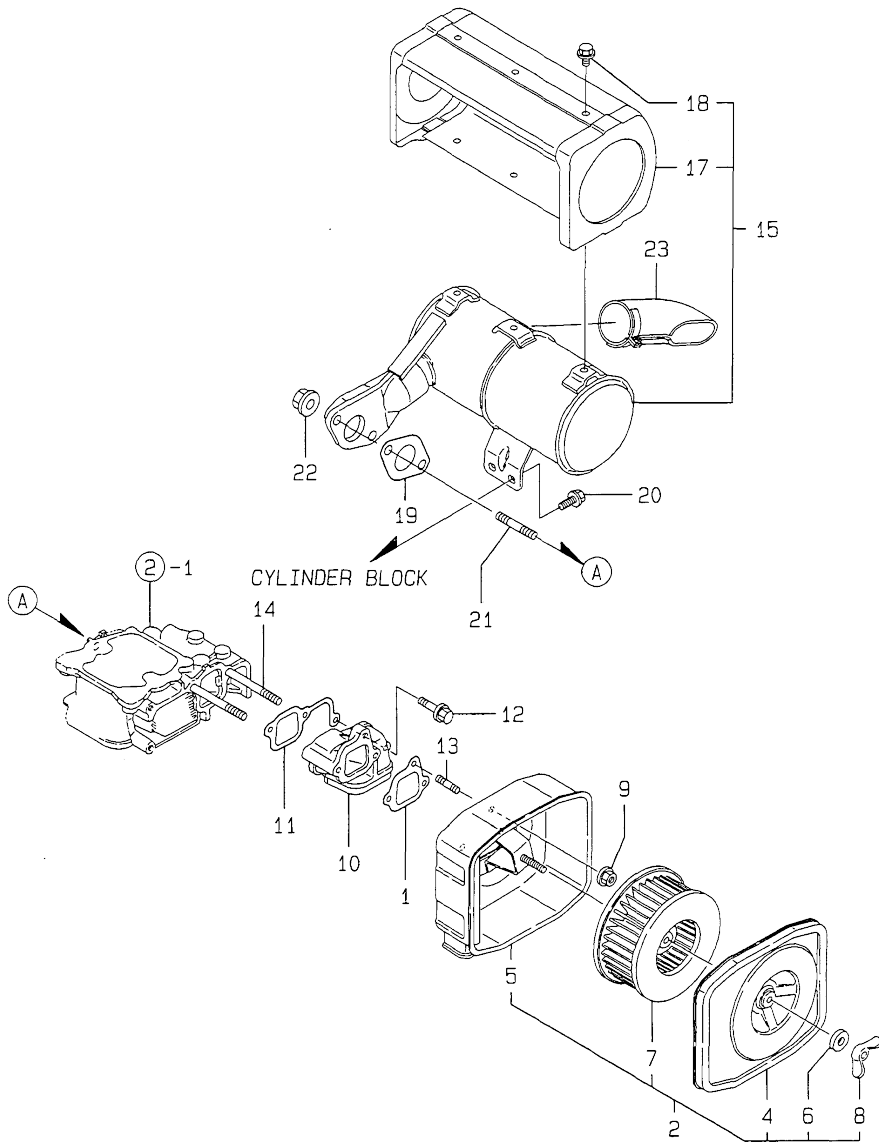
Remarks

(G)These parts are sold by Fig.10 No.14.

N:Old  $\begin{matrix} \text{Yes} \\ \text{No} \end{matrix}$  New. Q:Old  $\begin{matrix} \text{No} \\ \text{Yes} \end{matrix}$  New. R:Old  $\begin{matrix} \text{Yes} \\ \text{Yes} \end{matrix}$  New. S:Old  $\begin{matrix} \text{No} \\ \text{No} \end{matrix}$  New. W:Add. Z:Discontinued. F:Interchangeable by set. K:Q'ty Change

Fig.3. AIR CLEANER & MUFFLER

3. AIR CLEANER & MUFFLER



(A)=L48AE-DI  
(B)=L48AE-DEI  
(C)=

(D)=  
(E)=  
(F)=

No.	Lev.	Parts No.	Description	Q'ty						I	R
				(A)	(B)	(C)	(D)	(E)	(F)		
1	1	114250-12211	GASKET, AIR CLEANER	1	1						G
2	1	714250-12560	CLEANER ASSY, AIR	1	1						
4	2	114250-12520	COVER, AIR CLEANER	1	1						
5	2	114250-12530	CASE ASSY, CLEANER	1	1						
6	2	114250-12560	WASHER, SEAL M6	1	1						
7	2	114250-12580	ELEMENT	1	1						
8	2	114250-12550	NUT, WING M6	1	1						
9	1	26366-060002	NUT, M6	3	3						
10	1	114250-12010	PIPE, AIR INTAKE A	1	1						
11	1	114250-12201	GASKET, INTAKE PIPE	1	1						G
12	1	26106-060252	BOLT, M6X 25 PLATED	1	1						
13	1	26226-060142	STUD, M6X 14	1	1						
14	1	26226-060552	STUD, M6X 55	2	2						
15	1	114250-13521	MUFFLER ASSY, E-D	1	1						
17	2	114250-13701	COVER, SILENCER	1	1						
18	2	26106-060082	BOLT, M6X 8 PLATED	6	6						
19	1	114250-13201	GASKET, MUFFLER	1	1						G
20	1	26106-060122	BOLT, M6X 12 PLATED	2	2						
21	1	26216-080182	STUD, M8X 18	2	2						
22	1	26366-080002	NUT, M8	2	2						
23	1	114268-13800	PIPE, MUFFLER	1	1						

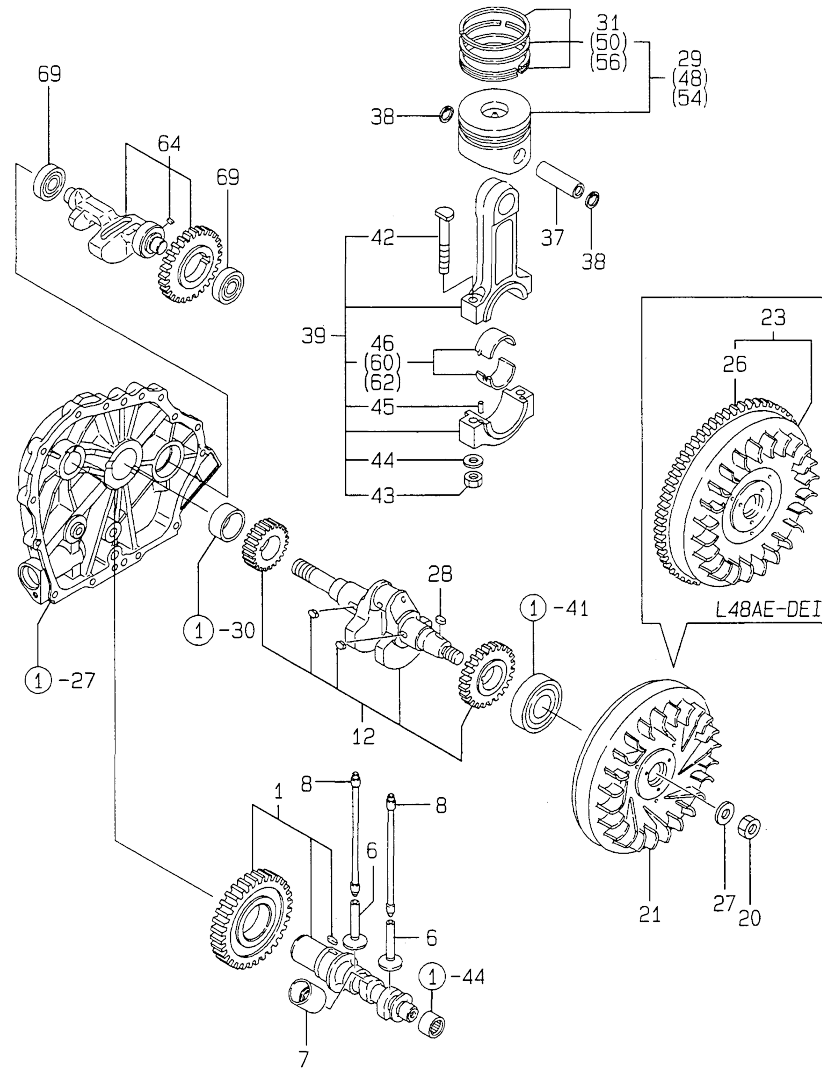
Remarks

(G)These parts are sold by Fig.10 No.14.

N:Old  $\xrightarrow{\text{Yes}}$  New. Q:Old  $\xrightarrow{\text{No}}$  New. R:Old  $\xrightarrow{\text{Yes}}$  New. S:Old  $\xrightarrow{\text{No}}$  New. W:Add. Z:Discontinued. F:Interchangeable by set. K:Q'ty Change

Fig.4. CRANKSHAFT, PISTON & CAMSHAFT

4. CRANKSHAFT, PISTON & CAMSHAFT



(A)=L48AE-DI  
(B)=L48AE-DEI  
(C)=

(D)=  
(E)=  
(F)=

No.	Lev.	Parts No.	Description	Q'ty						I	R
				(A)	(B)	(C)	(D)	(E)	(F)		
1	1	714780-14580	CAMSHAFT ASSY	1	1						
1-1	1	714780-14581	CAMSHAFT ASSY, D	1	1						R
		(A=EZZZZZ) (B=EZZZZZ)									
6	1	114250-14200	TAPPET	2	2						
7	1	114250-14260	TAPPET	1	1						
8	1	114250-14450	ROD ASSY, PUSH	2	2						
12	1	714288-21710	CRANKSHAFT ASSY	1	1						
20	1	103854-01221	NUT, HEAD M16X15	1	1						
21	1	114780-21400	FLYWHEEL	1							
23	1	114781-21590	FLYWHEEL ASSY		1						
26	2	114262-21600	GEAR, RING D		1						
27	1	114250-21550	WASHER, FLYWHEEL	1	1						
28	1	22512-040120	KEY, 4X 12	1	1						
29	1	714780-22720	PISTON ASSY, D	1	1						
31	2	714770-22500	RING SET, PISTON	1	1						
37	1	114250-22302	PIN, PISTON D=19	1	1						
38	1	22252-000190	RING, 19	2	2						
39	1	714250-23703	ROD ASSY, CONNECTING	1	1						
42	2	114250-23200	BOLT, CONNECTING ROD	2	2						
43	2	114250-23220	NUT, CONNECTING ROD	2	2						
44	2	114250-23250	WASHER, ROD BOLT	2	2						
45	2	22312-030080	PIN, PARALLEL M3X 8	2	2						
46	2	714250-23600	METAL ASSY, CRANK PIN	1	1						
48	1	714780-22620	PISTON ASSY, 0.25 OS	1	1						1
50	2	714770-22540	RING SET, 0.25 OS	1	1						1
54	1	714780-22580	PISTON ASSY, 0.50 OS	1	1						2
56	2	714770-22550	RING SET, 0.50 OS	1	1						2
60	1	714250-23610	METAL ASSY, PIN .25	1	1						3
62	1	714250-23620	METAL ASSY, PIN .50	1	1						4
64	1	714770-28510	SHAFT ASSY, BALANCER	1	1						
64-1	1	714770-28511	SHAFT ASSY, BALANCER	1	1						R
		(A=EZZZZZ) (B=EZZZZZ)									
64-2	1	714770-28512	SHAFT ASSY, BALANCER	1	1						R
		(A=EZZZZZ) (B=EZZZZZ)									
69	1	24101-062024	BEARING, BALL 6202	2	2						

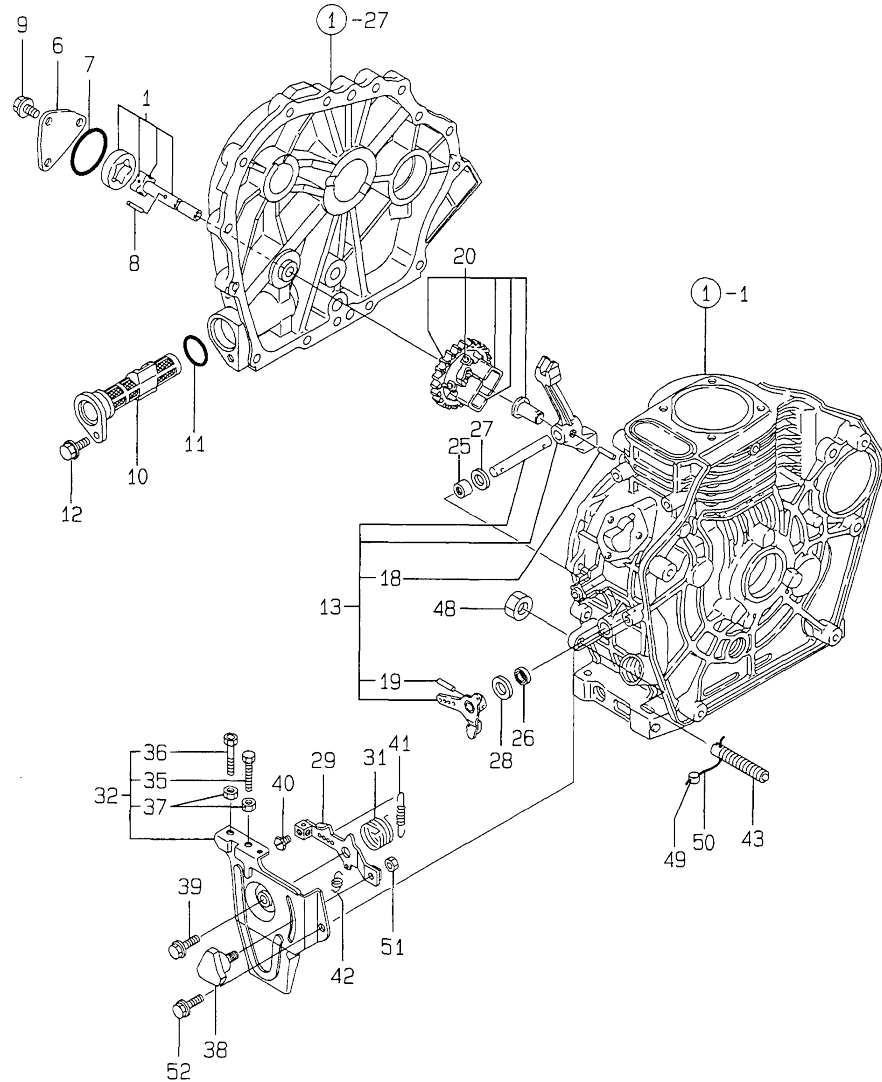
Remarks

- (1)Over-sized(O.S.=0.25) parts.
- (2)Over-sized(O.S.=0.50) parts.
- (3)Under-sized(U.S.=0.25) parts.
- (4)Under-sized(U.S.=0.50) parts.



Fig.5. LUB. OIL PUMP & GOVERNOR

5.LUB.OIL PUMP & GOVERNOR



(A)=L48AE-DI  
(B)=L48AE-DEI  
(C)=

(D)=  
(E)=  
(F)=

No.	Lev.	Parts No.	Description	Q'ty						I	R
				(A)	(B)	(C)	(D)	(E)	(F)		
1	1	114250-32010	PUMP ASSY, OIL	1	1						
6	1	114250-32070	COVER, OIL PUMP	1	1						
7	1	103338-32570	O-RING, PUMP COVER	1	1						G
8	1	22312-030160	PIN, PARALLEL M3X16	1	1						
9	1	26476-060142	SCREW, TAPPING M6X14	3	3						
10	1	114250-35070	FILTER, OIL	1	1						
11	1	24341-000224	O-RING, 1AS22.4	1	1						G
12	1	26106-060162	BOLT, M6X 16 PLATED	1	1						
13	1	714250-61500	LEVER ASSY, GOVERNOR	1	1						
18	2	22322-030200	PIN, TAPER 3X20	1	1						
19	2	22322-030200	PIN, TAPER 3X20	1	1						
20	1	714770-61700	GOVERNOR ASSY	1	1						
25	1	114270-61520	BEARING, NEEDLE 8	2	2						
26	1	114770-61600	SEAL, OIL	1	1						
27	1	114770-61610	WASHER, THRUST	1	1						
28	1	114770-61190	WASHER, GOVERNOR	1	1						
29	1	114250-66050	HANDLE, REGULATOR	1	1						
31	1	114252-66252	SPRING, RETURN	1	1						
32	1	714268-66500	BRACKET ASSY, HANDLE	1	1						
35	2	114250-66440	BOLT, ADJUSTER	1	1						
36	2	102100-67080	BOLT, ADJUSTER	1	1						
37	2	26757-060002	NUT, LOCK M6	2	2						
38	1	160725-78350	BOLT, KNOB M6X15	1	1						
39	1	26106-060202	BOLT, M6X 20 PLATED	1	1						
40	1	26117-040088	BOLT M 4X 8 PLATED	1	1						
41	1	114770-66010	SPRING, REGULATOR	1	1						
42	1	114250-66200	SPRING, RETURN	1	1						
43	1	114250-66550	LIMITER ASSY, FUEL	1	1						
48	1	26696-100002	NUT, LOCK M10	1	1						
49	1	135210-61090	LEAD	2	2						
50	1	22451-060000	WIRE, 0.6	2	2						
51	1	26347-060002	NUT, M6	1	1						
52	1	26476-060142	SCREW, TAPPING M6X14	1	1						

Remarks

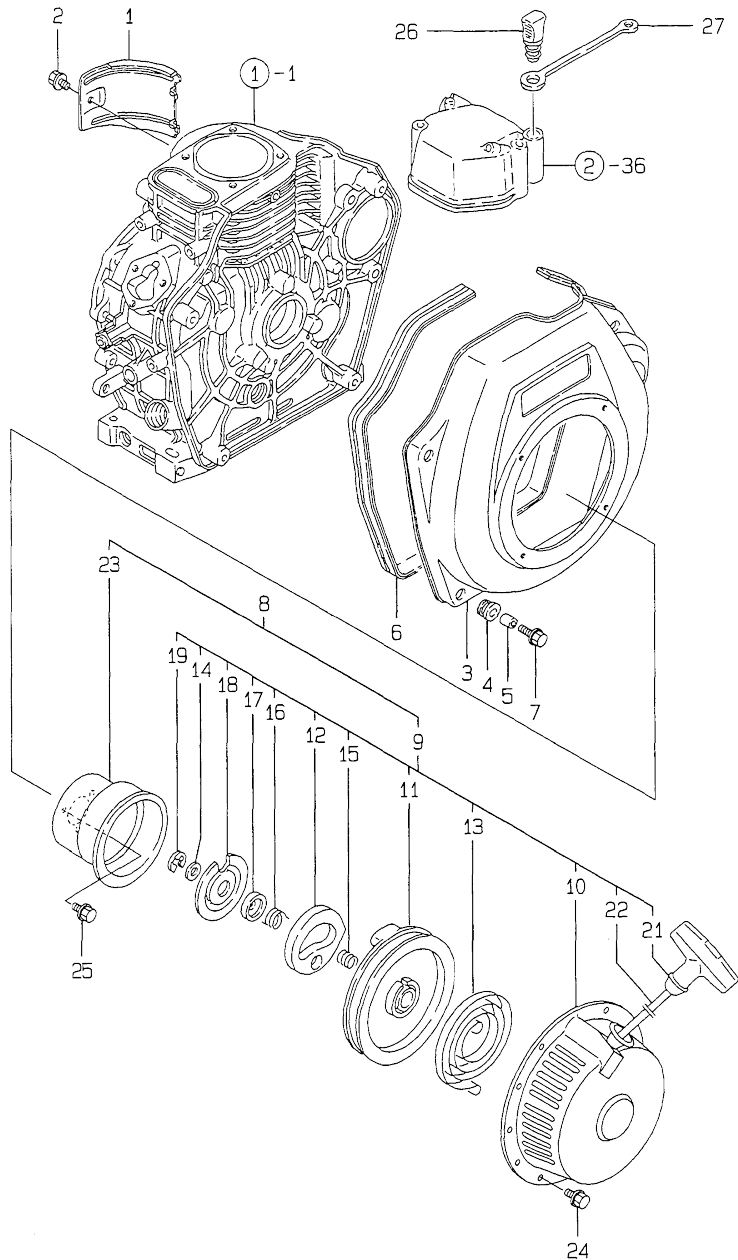
(G)These parts are sold by Fig.21 No.14.

Fig.6. COOLING & STARTING DEVICE

(A)=L48AE-DI  
(B)=L48AE-DEI  
(C)=

(D)=  
(E)=  
(F)=

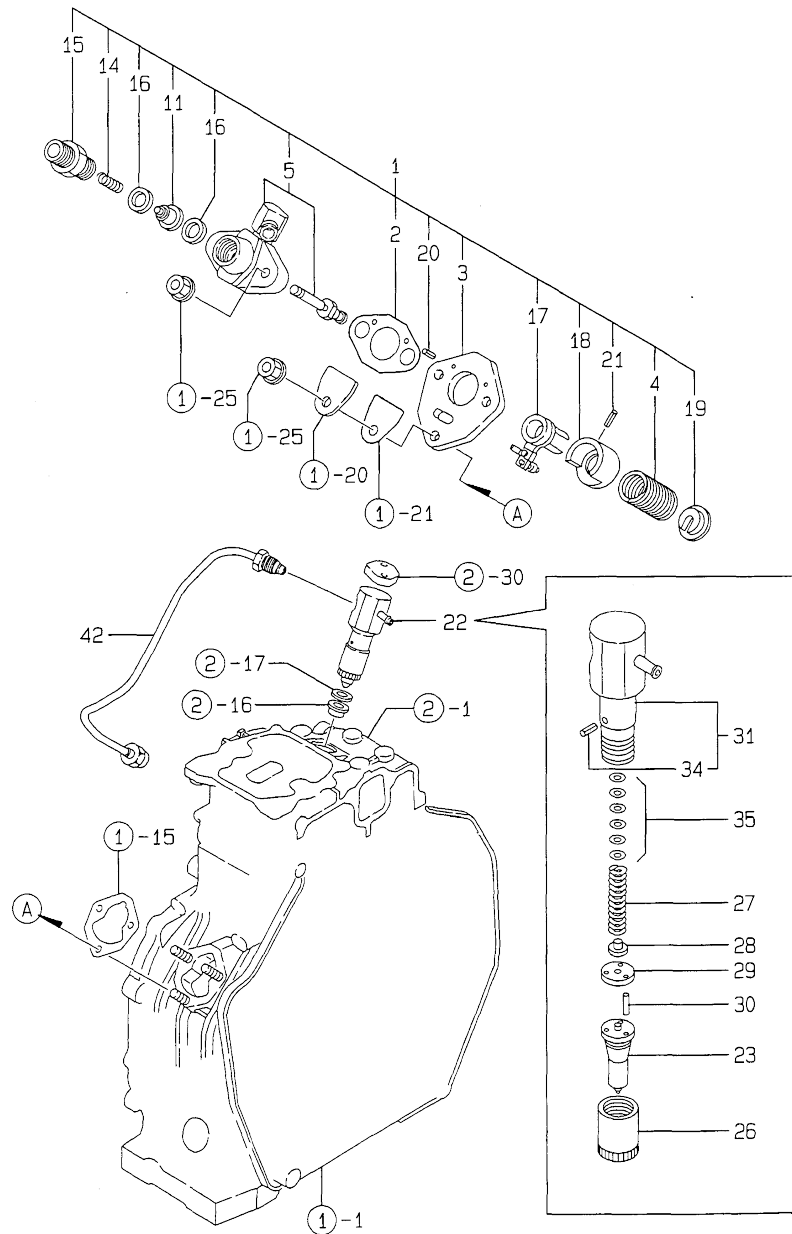
6.COOLING & STARTING DEVICE



No.	Lev.	Parts No.	Description	Q'ty						I	R
				(A)	(B)	(C)	(D)	(E)	(F)		
1	1	114250-45211	COVER, CYLINDER	1	1						
2	1	26476-060142	SCREW, TAPPING M6X14	1	1						
3	1	114788-45100	CASE, COOLING FAN	1	1						
4	1	114250-45301	RUBBER, FAN CASE	4	4						
5	1	114250-45310	COLLAR, FAN CASE	4	4						
6	1	114250-45330	SEAL, FAN CASE L=875	1	1						
7	1	114370-45350	BOLT, FAN CASE	4	4						
8	1	114260-76050	STARTER ASSY, RECOIL	1	1						
9	2	114260-76250	STARTER ASSY, RECOIL	1	1						
10	3	114260-76520	CASE, STARTER	1	1						
11	3	160260-76520	REEL	1	1						
12	3	160260-76530	RATCHET	1	1						
13	3	160260-76540	SPRING, SPIRAL	1	1						
14	3	160260-76550	WASHER, THRUST	1	1						
15	3	160260-76560	SPRING, FRICTION	1	1						
16	3	160290-76570	SPRING, RETURN	1	1						
17	3	160260-76580	COVER, SPRING	1	1						
18	3	160260-76590	PLATE, FRICTION	1	1						
19	3	160260-76600	CIRCLIP, E	1	1						
21	3	160260-76620	KNOB, STARTER	1	1						
22	3	160260-76630	ROPE, STARTER	1	1						
23	2	114250-76590	PULLEY, STARTER	1	1						
24	1	26106-060082	BOLT, M6X 8 PLATED	4	4						
25	1	26106-060122	BOLT, M6X 12 PLATED	3	3						
26	1	114250-76600	PLUNGER, START	1	1						
27	1	114250-76610	HOLDER, PLUNGER	1	1						

Fig.7. FUEL INJECTION PUMP

7.FUEL INJECTION PUMP



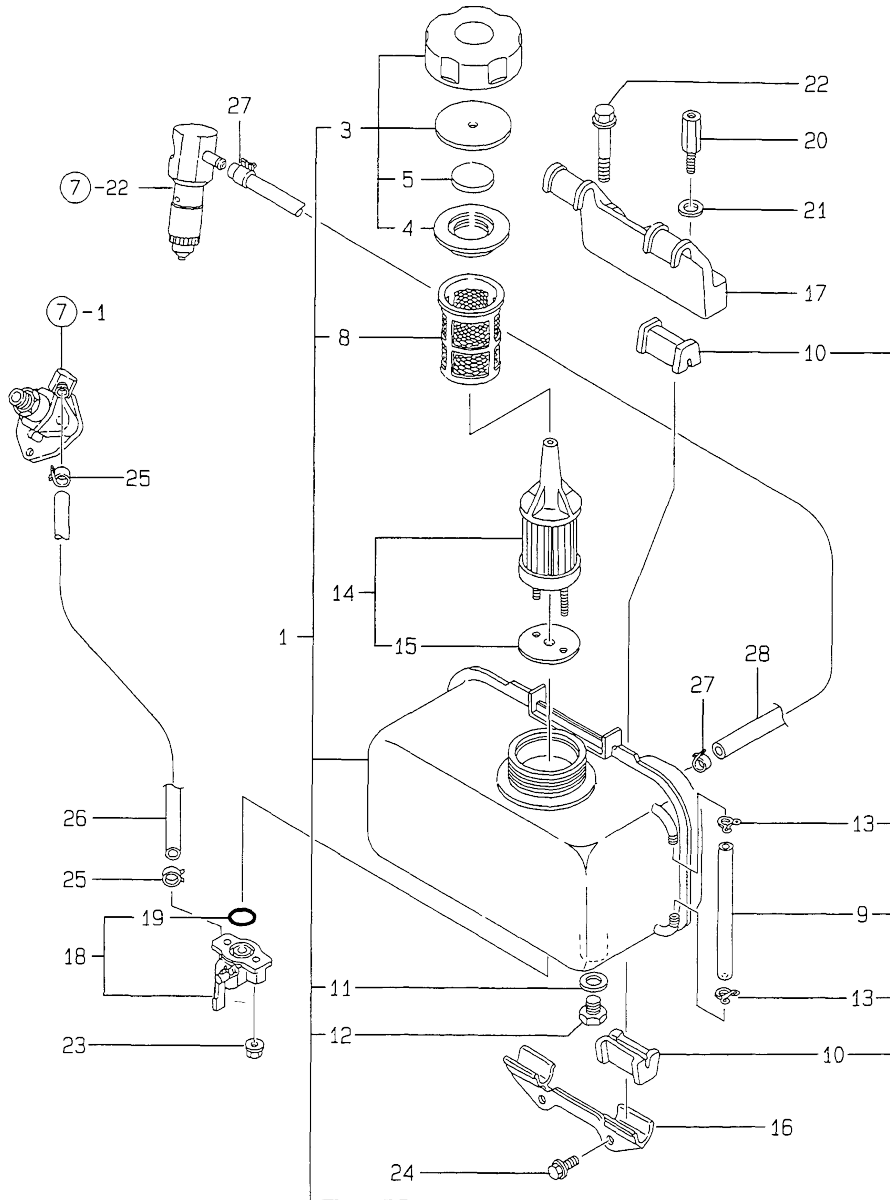
(A)=L48AE-DI  
(B)=L48AE-DEI  
(C)=

(D)=  
(E)=  
(F)=

No.	Lev.	Parts No.	Description	Q'ty						I	R
				(A)	(B)	(C)	(D)	(E)	(F)		
1	1	714770-51700	PUMP ASSY, INJECTION	1	1						
2	2	105546-51020	GASKET, PUMP BODY	1	1						
3	2	114250-51080	PLATE	1	1						
4	2	114250-51160	SPRING, PLUNGER	1	1						
5	2	114250-51200	BODY ASSY, PUMP	1	1						
11	2	114250-51300	VALVE ASSY, DELIVERY	1	1						
14	2	105546-51330	SPRING, DELIVERY	1	1						
15	2	114250-51340	HOLDER, DELIVERY	1	1						
16	2	124550-51350	GASKET, DELIVERY	2	2						
17	2	114250-51600	LEVER, CONTROL	1	1						
18	2	114250-51640	SEAT, SPRING A	1	1						
19	2	114250-51650	SEAT, SPRING B	1	1						
20	2	22351-020006	PIN, SPRING 2.0X 6	2	2						
21	2	22351-030008	PIN, SPRING 3.0X 8	1	1						
22	1	714250-53101	VALVE ASSY,INJECTION	1	1						
23	2	114250-53001	VALVE ASSY,INJECTION	1	1						
26	2	114250-53080	NUT, NOZZLE	1	1						
27	2	114250-53120	SPRING, NOZZLE	1	1						
28	2	114250-53130	SEAT, SPRING	1	1						
29	2	114250-53140	SPACER, VALVE STOP	1	1						
30	2	114250-53210	PIN, POSITIONING	2	2						
31	2	114250-53300	HOLDER ASSY, NOZZLE	1	1						
34	3	114250-53331	PIN, HOLDER	1	1						
35	2	114250-53400	SHIM SET	1	1						
42	1	114250-59800	PIPE ASSY, INJECTION	1	1						

Fig.8. FUEL TANK & FUEL PIPE

8.FUEL TANK & FUEL LINE



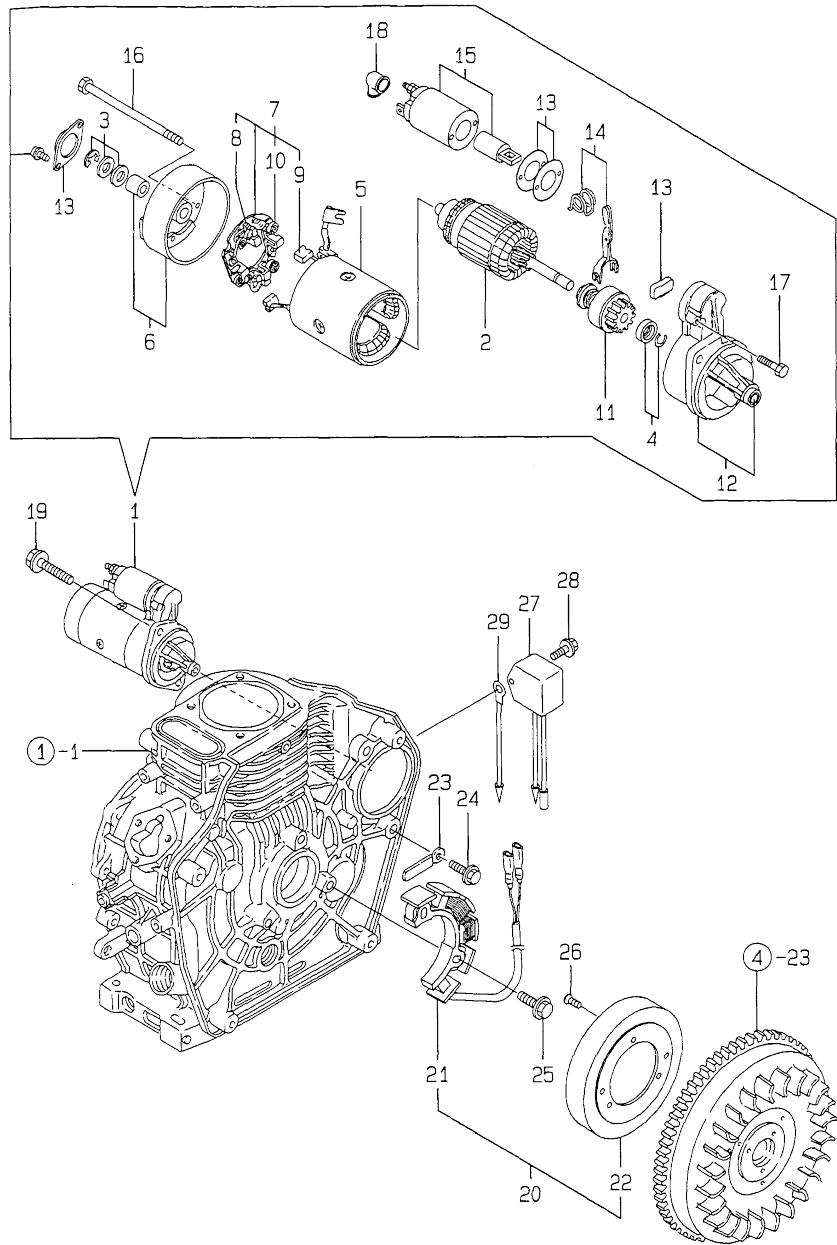
(A)=L48AE-DI  
(B)=L48AE-DEI  
(C)=

(D)=  
(E)=  
(F)=

No.	Lev.	Parts No.	Description	Q'ty						I	R
				(A)	(B)	(C)	(D)	(E)	(F)		
1	1	714250-55711-R	TANK ASSY, FUEL	1	1						
3	2	114250-55041	CAP ASSY, FUEL TANK	1	1						
4	3	114250-55050	GASKET, TANK CAP	1	1						
5	3	114250-55060	SEAL, FUEL CAP	1	1						
8	2	114250-55100	FILTER, FUEL INLET	1	1						
9	2	114250-55150	GAUGE, OIL LEVEL	1	1						
10	2	114250-55201	DAMPER, FUEL TANK	4	4						
11	2	23414-120000	GASKET, 12X1.0	1	1						
12	2	23887-120002	PLUG, 12	1	1						
13	2	124722-59050	CLAMP, HOSE 9	2	2						
14	1	114250-55121	FILTER ASSY, FUEL	1	1						
15	2	114250-55130	GASKET	1	1						
16	1	114250-55211	STAY, FUEL TANK A	1	1						
17	1	114250-55231	STAY, FUEL TANK B	1	1						
18	1	114250-55300	COCK ASSY, FUEL	1	1						
19	2	24341-000150	O-RING, 1AS15.0	1	1						
20	1	114650-55810	BOLT, LIFTING	1	1						
21	1	22117-080000	WASHER, 8	1	1						
22	1	26106-080452	BOLT, M8X 45 PLATED	1	1						
23	1	26366-060002	NUT, M6	2	2						
24	1	26476-060142	SCREW, TAPPING M6X14	2	2						
25	1	106990-44660	CLAMP, HOSE 12.5	2	2						
26	1	114250-59050	PIPE, FUEL L=46	1	1						
27	1	124722-59050	CLAMP, HOSE 9	2	2						
28	1	114250-59060	PIPE, FUEL RETURN	1	1						

Fig.9. STARTER MOTOR & DYNAMO

9.STARTING MOTOR & DYNAMO



(A)=L48AE-DI  
(B)=L48AE-DEI  
(C)=

(D)=  
(E)=  
(F)=

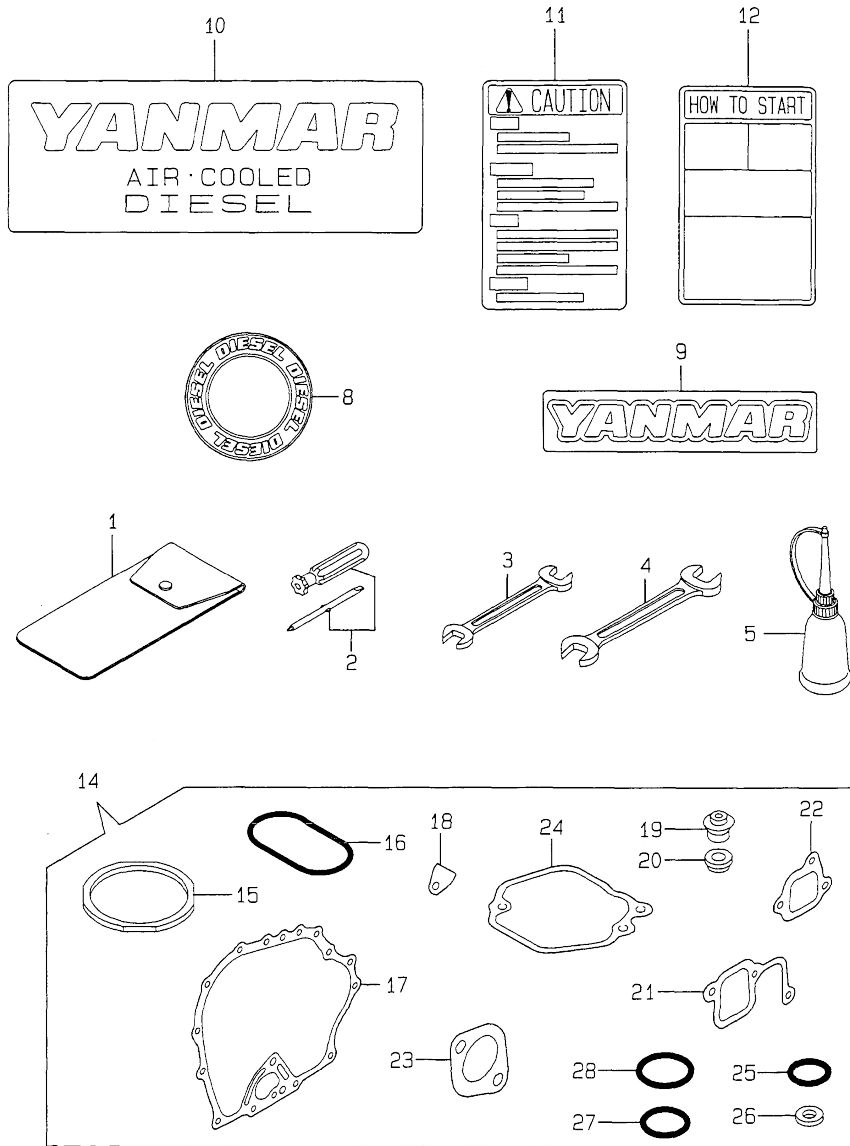
No.	Lev.	Parts No.	Description	Q'ty						I	R
				(A)	(B)	(C)	(D)	(E)	(F)		
1	1	114362-77011	STARTER ASSY, D		1						
2	2	114381-77110	ARMATURE		1						
3	2	X2114811000	WASHER KIT, THRUST		1						
4	2	X2114715500	STOPPER SET, PINION		1						
5	2	114381-77130	COIL ASSY, FIELD		1						
6	2	114381-77140	COVER		1						
7	2	114371-77160	HOLDER ASSY, BRUSH		1						
8	3	114371-79040	BRUSH, -		2						
9	3	114371-79050	BRUSH SET, +		1						
10	3	114371-79060	SPRING, BRUSH		4						
11	2	X2114455080	PINION ASSY		1						
12	2	114381-77150	CASE ASSY, GEAR		1						
13	2	114371-77170	COVER KIT, DUST		1						
14	2	X2114560130	LEVER KIT, SHIFT		1						
15	2	X2114275010	SWITCH ASSY, MAGNET		1						
16	2	X2114680050	BOLT, THROUGH		2						
17	2	114371-79070	BOLT, M6		2						
18	2	X2114274200	COVER, TERMINAL		1						
19	1	26106-100302	BOLT, M10X 30 PLATED		2						
20	1	114351-78251	DYNAMO ASSY, 12V/13V		1						
21	2	114351-78751	STATOR ASSY		1						
22	2	114351-78761	WHEEL, DYNAMO		1						
23	1	160710-78710	CLAMP, CORD		1						
24	1	26476-060142	SCREW, TAPPING M6X14		1						
25	1	26476-060202	SCREW, TAPPING M6X20		3						
26	1	26577-060142	SCREW M 6X 14		3						
27	1	160970-77350	RECTIFIER, ZR2117		1						
28	1	26106-060122	BOLT, M6X 12 PLATED		1						
29	1	183350-77400	LEAD WIRE		1						

Fig.10. TOOL, LABEL & GASKET SET

(A)=L48AE-DI  
(B)=L48AE-DEI  
(C)=

(D)=  
(E)=  
(F)=

10.TOOL, LABEL & GASKET SET



No.	Lev.	Parts No.	Description	Q'ty						I	R
				(A)	(B)	(C)	(D)	(E)	(F)		
1	1	114250-92600	BAG, TOOL	1	1						
2	1	160330-92730	SCREW-DRIVER	1	1						
3	1	28110-100120	SPANNER, 10X12	1	1						
4	1	28110-140170	SPANNER, 14X17	1	1						
5	1	28210-000150	OILER	1	1						
8	1	114261-07350	LABEL, DIESEL	1	1						
9	1	114250-07111	LABEL, YANMAR MARK	1	1						
10	1	114250-07090	LABEL, YANMAR MARK A	1	1						
11	1	114268-07240	LABEL, CAUTION	1	1						
12	1	114268-07350	LABEL, HOW TO START	1	1						
14	1	714770-92601	GASKET SET	1	1						1
15	2	114770-01340	GASKET, HEAD	1	1						
16	2	114250-01380	O-RING, TAPPET	1	1						
17	2	114250-01412	GASKET, CRANK CASE	1	1						
18	2	114250-01841	GASKET, COVER	1	1						
19	2	114250-11340	SEAL, VALVE STEM	2	2						
20	2	114250-11460	GASKET, NOZZLE	1	1						
21	2	114250-12201	GASKET, INTAKE PIPE	1	1						
22	2	114250-12211	GASKET, AIR CLEANER	1	1						
23	2	114250-13201	GASKET, MUFFLER	1	1						
24	2	114250-11311	GASKET, BONNET	1	1						
25	2	24311-000180	O-RING, 1AP18.0	2	2						
26	2	22190-160002	WASHER, SEAL 16	2	2						
27	2	24341-000224	O-RING, 1AS22.4	1	1						
28	2	103338-32570	O-RING, PUMP COVER	1	1						

Remarks

(1)Optional parts.

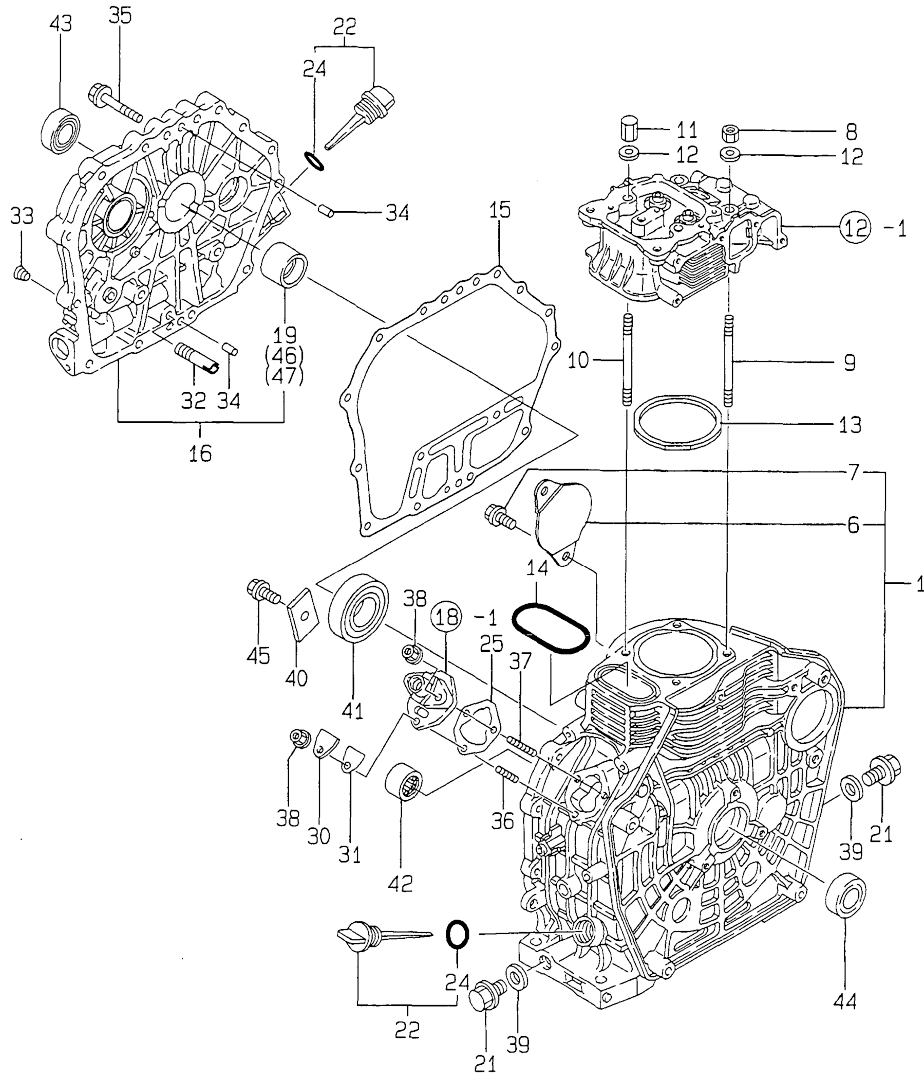
N:Old  $\begin{matrix} \leftarrow \text{Yes} \\ \text{No} \end{matrix}$  New. Q:Old  $\begin{matrix} \leftarrow \text{No} \\ \text{Yes} \end{matrix}$  New. R:Old  $\begin{matrix} \leftarrow \text{Yes} \\ \text{Yes} \end{matrix}$  New. S:Old  $\begin{matrix} \leftarrow \text{No} \\ \text{No} \end{matrix}$  New. W:Add. Z:Discontinued. F:Interchangeable by set. K:Q'ty Change

Fig.11. CYLINDER BLOCK

(A)=  
(B)=  
(C)=L100AE-DI

(D)=L100AE-DEI  
(E)=  
(F)=

11. CYLINDER BLOCK



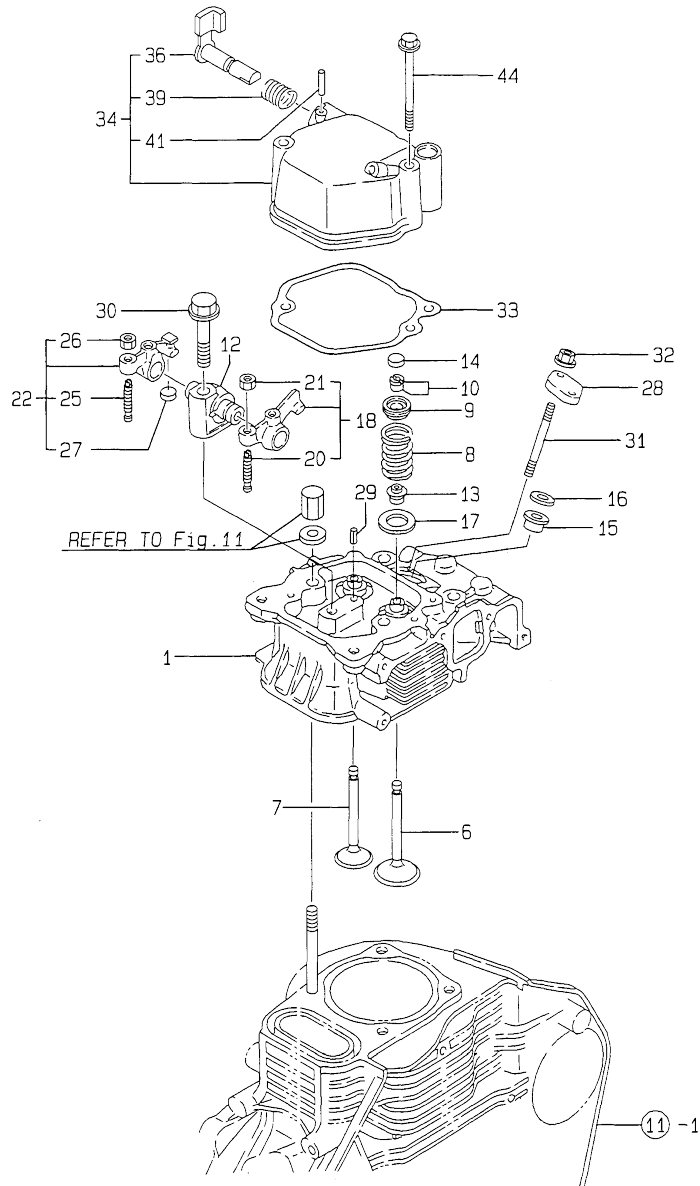
No.	Lev.	Parts No.	Description	Q'ty						I	R
				(A)	(B)	(C)	(D)	(E)	(F)		
1	1	714970-01560	BLOCK ASSY, CYLINDER			1	1				
6	2	114350-01700	COVER, STARTER			1	1				
7	2	26106-100122	BOLT, M10X 12 PLATED			2	2				
8	1	105025-01220	NUT, HEAD M10			2	2				
9	1	114650-01230	BOLT, HEAD A			2	2				
10	1	114650-01240	BOLT, HEAD B			2	2				
11	1	114650-01250	NUT, HEAD M10			2	2				
12	1	114650-01260	WASHER, HEAD BOLT			4	4				
13	1	114970-01340	GASKET, HEAD			1	1				G
14	1	114650-01380	O-RING, TAPPET			1	1				G
15	1	114650-01412	GASKET, CRANK CASE			1	1				G
16	1	114660-01471	COVER, CRANK CASE D			1	1				
19	2	114650-02100	METAL, MAIN			1	1				1
21	1	105425-01690	PLUG, DRAIN M16			2	2				
22	1	160910-01740	CAP ASSY, OIL SUPPLY			2	2				
24	2	24311-000180	O-RING, 1AP18.0			2	2				G
25	1	114250-01800	SHIM SET, PUMP			1	1				
30	1	114250-01830	COVER, CHECK HOLE			1	1				
31	1	114250-01841	GASKET, COVER			1	1				G
32	1	114250-35150	PIPE, OIL INLET			1	1				
33	1	23871-010000	PLUG, R01			1	1				
34	1	114270-01600	PIN, PARALLEL M8X12			2	2				
35	1	26106-080352	BOLT, M8X 35 PLATED			16	16				
36	1	26226-060182	STUD, M6X 18			1	1				
37	1	26226-060222	STUD, M6X 22			2	2				
38	1	26366-060002	NUT, M6			3	3				
39	1	22190-160002	WASHER, SEAL 16			2	2				G
40	1	114250-02030	RETAINER, BEARING			1	1				
41	1	114650-02150	BEARING, HR6308G3C3			1	1				
42	1	24162-152112	BEARING, 152112			1	1				
43	1	24423-355008	SEAL, OIL TC355008			1	1				
44	1	24423-355008	SEAL, OIL TC355008			1	1				
45	1	26106-080122	BOLT, M8X 12 PLATED			1	1				
46	1	114650-02200	METAL, MAIN 0.25 US			1	1				2
47	1	114650-02210	METAL, MAIN 0.50 US			1	1				2

Remarks

- (1) Spare parts.
- (2) Under-sized parts.
- (G) These parts are sold by Fig.21 No.14.

Fig.12. CYLINDER HEAD & BONNET

12.CYLINDER HEAD & BONNET



(A)=  
(B)=  
(C)=L100AE-DI

(D)=L100AE-DEI  
(E)=  
(F)=

No.	Lev.	Parts No.	Description	Q'ty						I	R
				(A)	(B)	(C)	(D)	(E)	(F)		
1	1	114650-11010	HEAD ASSY, CYLINDER			1	1				
6	1	114650-11100	VALVE, INTAKE			1	1				
7	1	114654-11110	VALVE, EXHAUST			1	1				
8	1	114650-11121	SPRING, VALVE			2	2				
9	1	119620-11180	RETAINER, SPRING			2	2				
10	1	27310-070001	COTTER, 7			2	2				
12	1	114650-11261	SUPPORT, ROCKER ARM			1	1				
13	1	114650-11340	SEAL, VALVE STEM			2	2				G
14	1	104211-11370	CAP, VALVE			1	1				
15	1	114250-11460	GASKET, NOZZLE			1	1				G
16	1	114350-11470	SPACER, NOZZLE			1	1				
17	1	114650-11600	WASHER, VALVE SPRING			2	2				
18	1	114650-11652	ARM ASSY, ROCKER			1	1				
20	2	114250-11240	SCREW, VALVE ADJUST			1	1				
21	2	26756-060002	NUT, LOCK M6			1	1				
22	1	714670-11660	ARM ASSY, ROCKER EXH			1	1				
25	2	114250-11240	SCREW, VALVE ADJUST			1	1				
26	2	26756-060002	NUT, LOCK M6			1	1				
27	2	104211-11370	CAP, VALVE			1	1				
28	1	114250-11900	RETAINER, NOZZLE			1	1				
29	1	22351-040008	PIN, SPRING 4.0X 8			1	1				
30	1	26106-100552	BOLT, M10X 55 PLATED			1	1				
31	1	26226-060502	STUD, M6X 50			2	2				
32	1	26366-060002	NUT, M6			2	2				
33	1	114650-11311	GASKET, BONNET			1	1				G
34	1	114650-11951	BONNET ASSY, HEAD			1	1				
36	2	114250-03591	LEVER ASSY, DECOMP			1	1				
39	2	114250-03640	SPRING, DECOMPRESSION			1	1				
41	2	22312-030160	PIN, PARALLEL M3X16			1	1				
44	1	26106-060702	BOLT, M6X 70 PLATED			2	2				

Remarks

(G)These parts are sold by Fig.21 No.14.

N:Old  $\begin{matrix} \leftarrow \text{Yes} \\ \text{No} \end{matrix}$  New. Q:Old  $\begin{matrix} \leftarrow \text{No} \\ \text{YES} \end{matrix}$  New. R:Old  $\begin{matrix} \leftarrow \text{Yes} \\ \text{YES} \end{matrix}$  New. S:Old  $\begin{matrix} \leftarrow \text{No} \\ \text{NO} \end{matrix}$  New. W:Add. Z:Discontinued. F:Interchangeable by set. K:Q'ty Change

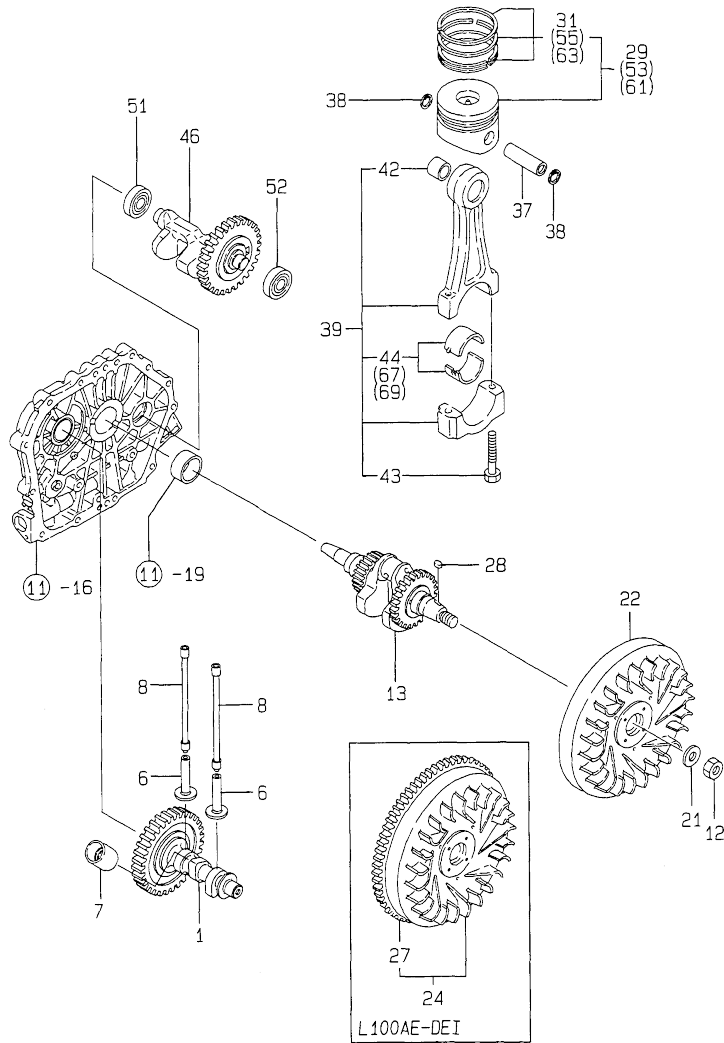






Fig.15. CRANKSHAFT, PISTON & CAMSHAFT

15. CRANKSHAFT, PISTON & CAMSHAFT



(A)=  
(B)=  
(C)=L100AE-DI

(D)=L100AE-DEI  
(E)=  
(F)=

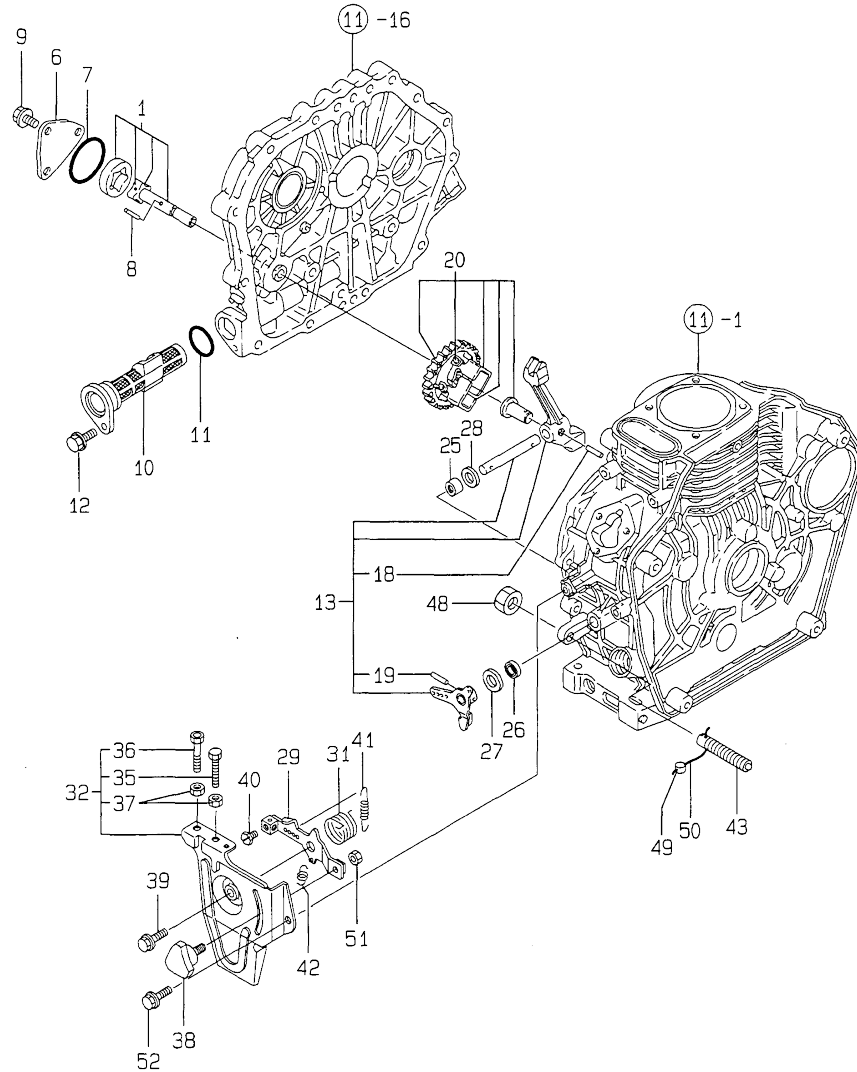
No.	Lev.	Parts No.	Description	Q'ty						I	R
				(A)	(B)	(C)	(D)	(E)	(F)		
1	1	714689-14580	CAMSHAFT ASSY			1	1				
6	1	114650-14200	TAPPET			2	2				
7	1	114250-14260	TAPPET			1	1				
8	1	114650-14401	PUSH-ROD			2	2				
12	1	122710-01220	NUT, HEAD M18			1	1				
13	1	714688-21730	CRANKSHAFT ASSY			1	1				
21	1	114650-21551	WASHER, FLYWHEEL			1	1				
22	1	114660-21401	FLYWHEEL ASSY, D			1					
24	1	114662-21592	FLYWHEEL ASSY, DE				1				
27	2	114662-21601	GEAR, RING D						1		
28	1	22512-050140	KEY, 5X 14			1	1				
29	1	714980-22720	PISTON ASSY, D			1	1				
31	2	714970-22500	RING SET, PISTON			1	1				
37	1	114650-22300	PIN, PISTON D=23			1	1				
38	1	129792-22400	CIRCLIP, 23			2	2				
39	1	714650-23700	ROD ASSY, CONNECTING			1	1				
42	2	124060-23100	BEARING, PISTON PIN			1	1				
43	2	104200-23201	BOLT, CONNECTING ROD			2	2				
44	2	714650-23600	METAL ASSY, CRANK PIN			1	1				
46	1	714970-28511	SHAFT ASSY, BALANCER			1	1				
51	1	24101-062034	BEARING, BALL 6203			1	1				
52	1	24101-063034	BEARING, BALL 6303			1	1				
53	1	714980-22620	PISTON ASSY, 0.25 OS			1	1				1
55	2	714970-22540	RING SET, 0.25 OS			1	1				1
61	1	714980-22580	PISTON ASSY, 0.50 OS			1	1				2
63	2	714970-22550	RING SET, 0.50 OS			1	1				2
67	1	714650-23610	METAL ASSY, PIN .25			1	1				3
69	1	714650-23620	METAL ASSY, PIN .50			1	1				4

Remarks

- (1)Over-sized(O.S.=0.25) parts.
- (2)Over-sized(O.S.=0.50) parts.
- (3)Under-sized(U.S.=0.25) parts.
- (4)Under-sized(U.S.=0.50) parts.

Fig.16. LUB. OIL PUMP & GOVERNOR

16.LUB.OIL PUMP & GOVERNOR



(A)=  
(B)=  
(C)=L100AE-DI

(D)=L100AE-DEI  
(E)=  
(F)=

No.	Lev.	Parts No.	Description	Q'ty						I	R
				(A)	(B)	(C)	(D)	(E)	(F)		
1	1	114650-32010	PUMP ASSY, OIL			1	1				
6	1	114250-32070	COVER, OIL PUMP			1	1				
7	1	103338-32570	O-RING, PUMP COVER			1	1				G
8	1	22312-030160	PIN, PARALLEL M3X16			1	1				
9	1	26476-060142	SCREW, TAPPING M6X14			3	3				
10	1	114250-35070	FILTER, OIL			1	1				
11	1	24341-000224	O-RING, 1AS22.4			1	1				
12	1	26106-060162	BOLT, M6X 16 PLATED			1	1				
13	1	714650-61500	LEVER ASSY, GOVERNOR			1	1				
18	2	22322-030200	PIN, TAPER 3X20			1	1				
19	2	22322-030200	PIN, TAPER 3X20			1	1				
20	1	714685-61700	GOVERNOR ASSY			1	1				
25	1	114270-61520	BEARING, NEEDLE 8			2	2				
26	1	114770-61600	SEAL, OIL			1	1				
27	1	114770-61610	WASHER, THRUST			1	1				
28	1	114770-61190	WASHER, GOVERNOR			1	1				
29	1	114250-66050	HANDLE, REGULATOR			1	1				
31	1	114252-66252	SPRING, RETURN			1	1				
32	1	714268-66500	BRACKET ASSY, HANDLE			1	1				
35	2	114250-66440	BOLT, ADJUSTER			1	1				
36	2	102100-67080	BOLT, ADJUSTER			1	1				
37	2	26757-060002	NUT, LOCK M6			2	2				
38	1	160725-78350	BOLT, KNOB M6X15			1	1				
39	1	26106-060202	BOLT, M6X 20 PLATED			1	1				
40	1	26117-040088	BOLT M 4X 8 PLATED			1	1				
41	1	114970-66010	SPRING, REGULATOR			1	1				
42	1	114250-66200	SPRING, RETURN			1	1				
43	1	114650-66550	LIMITER ASSY, FUEL			1	1				M
43-1	1	114650-66500	LIMITER ASSY, FUEL			1	1				
48	1	26696-100002	NUT, LOCK M10			1	1				
49	1	135210-61090	LEAD			2	2				
50	1	22451-060000	WIRE, 0.6			2	2				
51	1	26347-060002	NUT, M6			1	1				
52	1	26476-060142	SCREW, TAPPING M6X14			1	1				

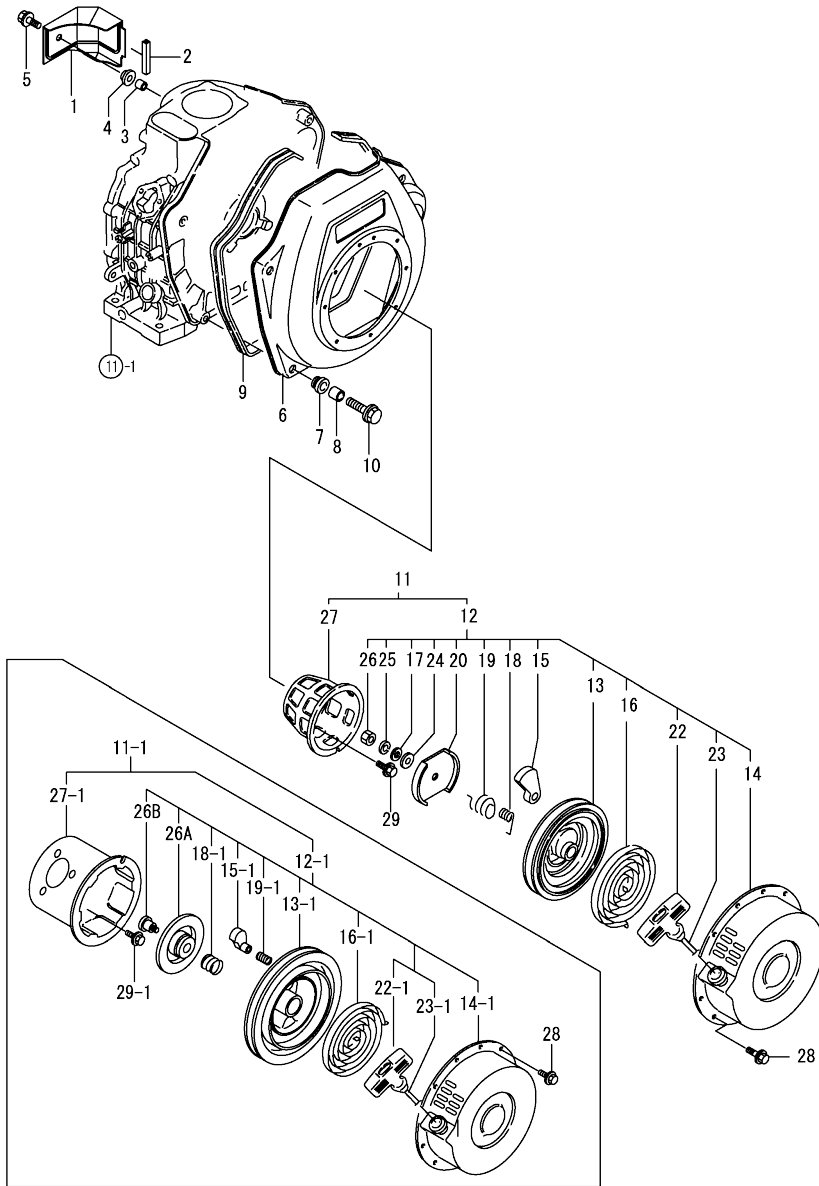
Remarks

(G)These parts are sold by Fig.21 No.14.

(M)Misprint

Fig.17. COOLING & STARTING DEVICE

17. COOLING & STARTING DEVICE



(A)=  
(B)=  
(C)=L100AE-DI

(D)=L100AE-DEI  
(E)=  
(F)=

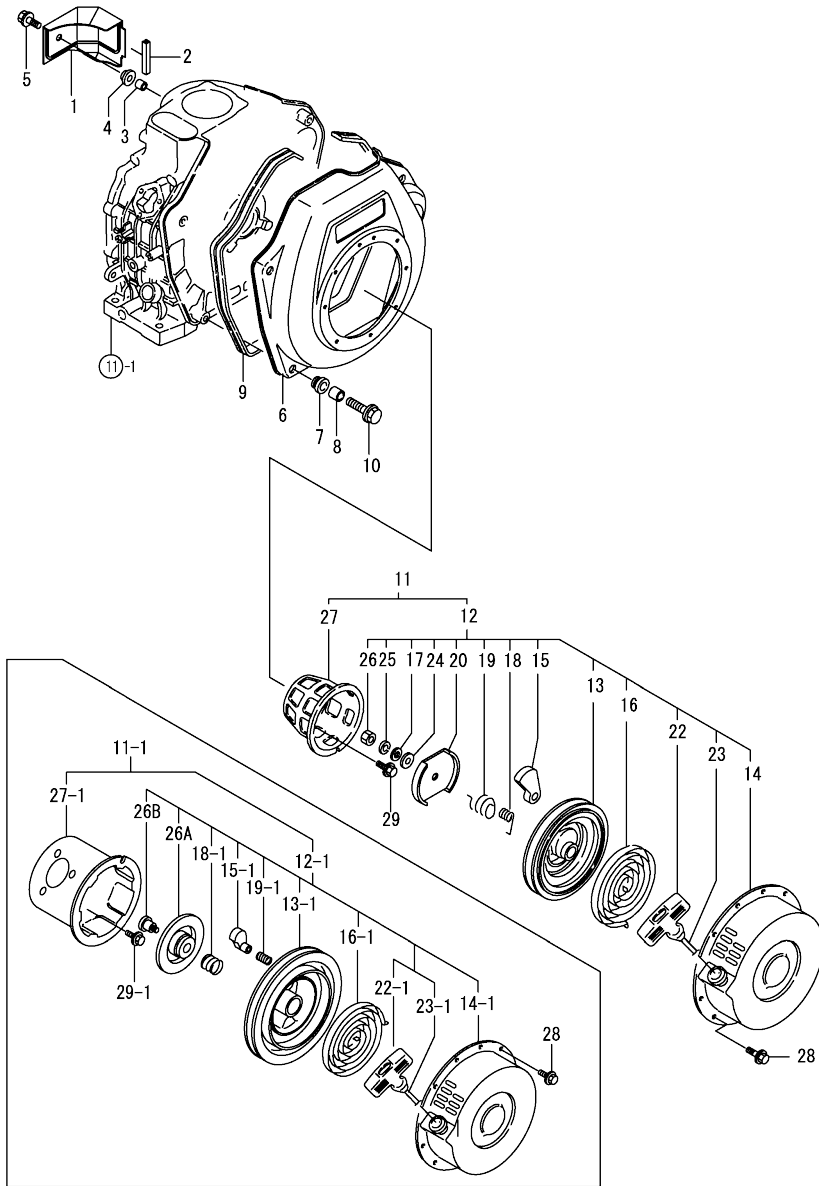
No.	Lev.	Parts No.	Description	Qty						I	R
				(A)	(B)	(C)	(D)	(E)	(F)		
1	1	114650-45201	COVER, CYLINDER			1	1				
2	1	114350-45320	SEAL, RUBBER			1	1				
3	1	114350-45340	COLLAR, COVER			1	1				
4	1	183720-55210	GROMMET, TANK			1	1				
5	1	26476-060202	SCREW, TAPPING M6X20			1	1				
6	1	114668-45102	CASE, COOLING FAN D			1	1				
7	1	114250-45301	RUBBER, FAN CASE			4	4				
8	1	114250-45310	COLLAR, FAN CASE			4	4				
9	1	114650-45330	SEAL, FAN CASE L=950			1	1				
10	1	114370-45350	BOLT, FAN CASE			4	4				
11	1	114660-76050	STARTER ASSY, RECOIL			1	1				
11-1	1	114660-76051	STARTER ASSY, RECOIL (C=EZZZZZ) (D=EZZZZZ)			1	1				S
11-2	1	114660-76052	STARTER ASSY, RECOIL (C=EZZZZZ) (D=EZZZZZ)			1	1				R 1
12	2	114660-76250	STARTER ASSY, RECOIL			1	1				
12-1	2	114660-76251	STARTER ASSY, RECOIL (C=EZZZZZ) (D=EZZZZZ)			1	1				S
13	3	114650-76520	REEL, RECOIL STARTER			1	1				
13-1	3	114880-76520	REEL, RECOIL STARTER (C=EZZZZZ) (D=EZZZZZ)			1	1				S
14	3	114660-76530	CASE, STARTER			1	1				
14-1	3	114660-76531	CASE, STARTER (C=EZZZZZ) (D=EZZZZZ)			1	1				S
15	3	160910-76530	RATCHET			1	1				
15-1	3	114870-76530	RATCHET (C=EZZZZZ) (D=EZZZZZ)			2	2				S
16	3	114650-76540	SPRING, SPIRAL			1	1				
16-1	3	114870-76540	SPRING, SPIRAL (C=EZZZZZ) (D=EZZZZZ)			1	1				S
17	3	160910-76550	WASHER, THRUST (C=EZZZZZ) (D=EZZZZZ)			1	1				Z
18	3	160910-76560	SPRING, FRICTION			1	1				
18-1	3	114870-76560	SPRING, FRICTION (C=EZZZZZ) (D=EZZZZZ)			1	1				S
19	3	160910-76570	SPRING, RETURN			1	1				
19-1	3	114870-76570	SPRING, RETURN (C=EZZZZZ) (D=EZZZZZ)			2	2				S
20	3	160910-76580	PLATE, FRICTION (C=EZZZZZ) (D=EZZZZZ)			1	1				Z
22	3	160910-76620	KNOB, STARTER			1	1				
22-1	4	114870-76620	KNOB, STARTER (C=EZZZZZ) (D=EZZZZZ)			1	1				S
23	3	114650-76630	ROPE, STARTER			1	1				
23-1	4	114650-76631	ROPE, STARTER (C=EZZZZZ) (D=EZZZZZ)			1	1				S
24	3	160910-76650	WASHER, THRUST (C=EZZZZZ) (D=EZZZZZ)			1	1				Z
25	3	22217-060000	WASHER, SPRING 6 (C=EZZZZZ) (D=EZZZZZ)			1	1				Z
26	3	26717-060002	NUT, M6			1	1				Z

Remarks

(1) Interchangeable by simultaneous replacement with No.12-1 & 27-2.

Fig.17. COOLING & STARTING DEVICE

17. COOLING & STARTING DEVICE



(A)=  
(B)=  
(C)=L100AE-DI

(D)=L100AE-DEI  
(E)=  
(F)=

No.	Lev.	Parts No.	Description	Q'ty						I	R
				(A)	(B)	(C)	(D)	(E)	(F)		
26A	3	114880-76550	GUIDE, RATCHET (C=EZZZZZ) (D=EZZZZZ)			1	1				W
26B	3	114870-76580	SCREW, SETTING (C=EZZZZZ) (D=EZZZZZ)			1	1				W
27	2	114660-76590	PULLEY, STARTER			1	1				
27-1	2	114660-76591	PULLEY, STARTER (C=EZZZZZ) (D=EZZZZZ)			1	1				S
27-2	2	114660-76592	PULLEY, STARTER (C=EZZZZZ) (D=EZZZZZ)			1	1				S
28	1	26106-060082	BOLT, M6X 8 PLATED			4	4				
29	1	26106-060122	BOLT, M6X 12 PLATED			4	4				
29-1	1	26106-060122	BOLT, M6X 12 PLATED (C=EZZZZZ) (D=EZZZZZ)			3	3				K

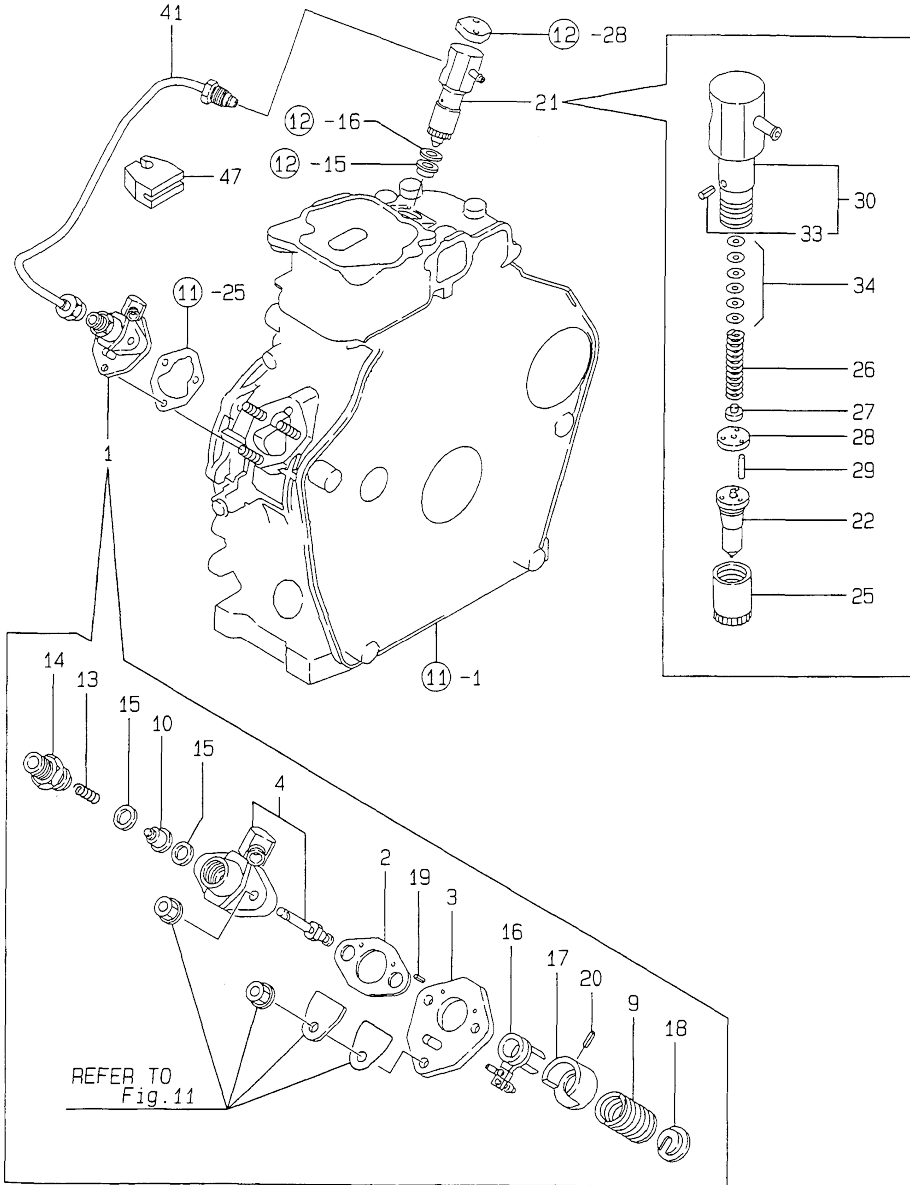
Remarks

(1) Interchangeable by simultaneous replacement with No.12-1 & 27-2.

N:Old  $\begin{matrix} \leftarrow \text{Yes} \\ \text{No} \end{matrix}$  New. Q:Old  $\begin{matrix} \leftarrow \text{No} \\ \text{YES} \end{matrix}$  New. R:Old  $\begin{matrix} \leftarrow \text{Yes} \\ \text{YES} \end{matrix}$  New. S:Old  $\begin{matrix} \leftarrow \text{No} \\ \text{NO} \end{matrix}$  New. W:Add. Z:Discontinued. F:Interchangeable by set. K:Q'ty Change

Fig.18. FUEL INJECTION PUMP

18.FUEL INJECTION PUMP



(A)=  
(B)=  
(C)=L100AE-DI

(D)=L100AE-DEI  
(E)=  
(F)=

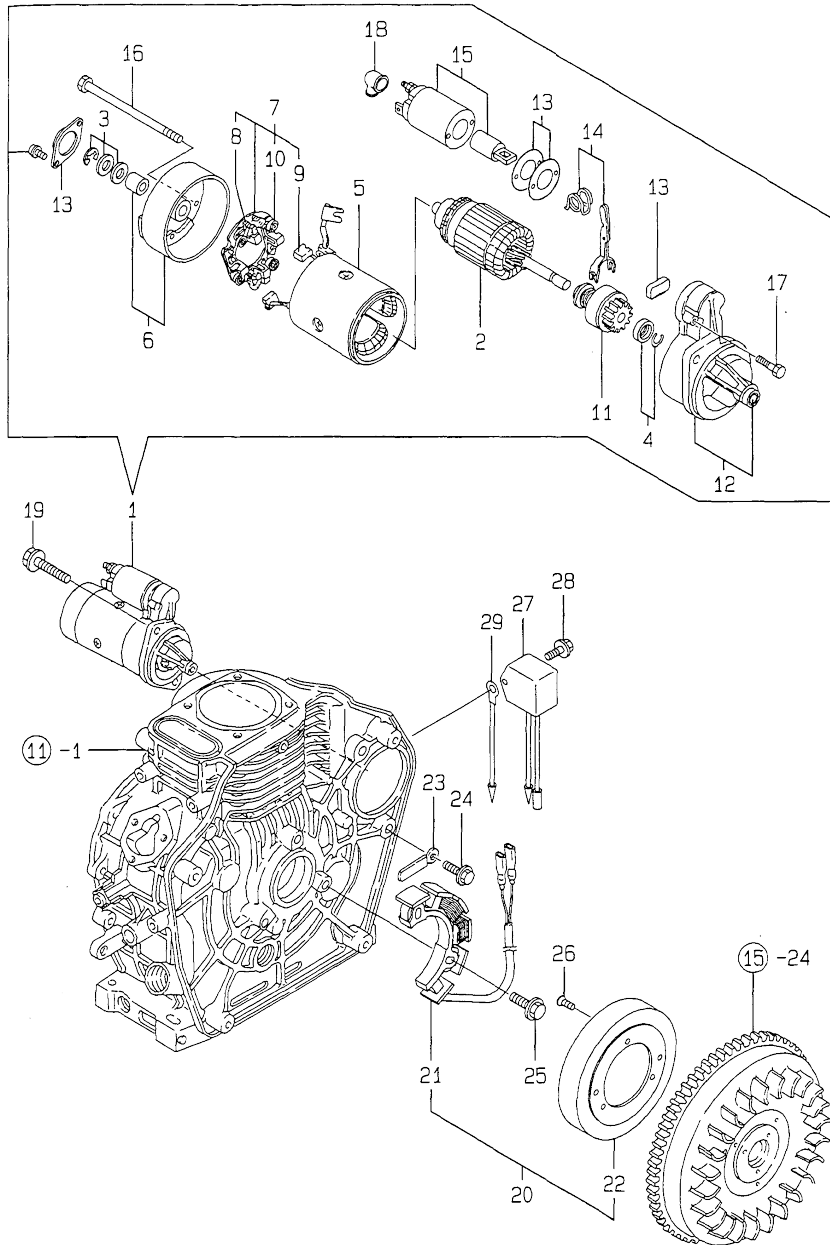
No.	Lev.	Parts No.	Description	Q'ty						I	R
				(A)	(B)	(C)	(D)	(E)	(F)		
1	1	714970-51700	PUMP ASSY, INJECTION			1	1				
2	2	105546-51020	GASKET, PUMP BODY			1	1				
3	2	114250-51080	PLATE			1	1				
4	2	114970-51100	BODY ASSY, PUMP			1	1				
9	2	114250-51160	SPRING, PLUNGER			1	1				
10	2	114650-51300	VALVE ASSY, DELIVERY			1	1				
13	2	105546-51330	SPRING, DELIVERY			1	1				
14	2	114250-51340	HOLDER, DELIVERY			1	1				
15	2	124550-51350	GASKET, DELIVERY			2	2				
16	2	114250-51600	LEVER, CONTROL			1	1				
17	2	114250-51640	SEAT, SPRING A			1	1				
18	2	114250-51650	SEAT, SPRING B			1	1				
19	2	22351-020006	PIN, SPRING 2.0X 6			2	2				
20	2	22351-030008	PIN, SPRING 3.0X 8			1	1				
21	1	714650-53100	VALVE ASSY,INJECTION			1	1				
22	2	114650-53000	VALVE ASSY,INJECTION			1	1				
25	2	114250-53080	NUT, NOZZLE			1	1				
26	2	114250-53120	SPRING, NOZZLE			1	1				
27	2	114250-53130	SEAT, SPRING			1	1				
28	2	114250-53140	SPACER, VALVE STOP			1	1				
29	2	114250-53210	PIN, POSITIONING			2	2				
30	2	114650-53300	HOLDER ASSY, NOZZLE			1	1				
33	3	114250-53331	PIN, HOLDER			1	1				
34	2	114250-53400	SHIM SET			1	1				
41	1	114650-59810	PIPE ASSY, INJECTION			1	1				
47	1	114650-59850	SUPPORT, PIPE			1	1				





Fig.20. STARTER MOTOR & DYNAMO

20.STARTING MOTOR & DYNAMO



(A)=  
(B)=  
(C)=L100AE-DI

(D)=L100AE-DEI  
(E)=  
(F)=

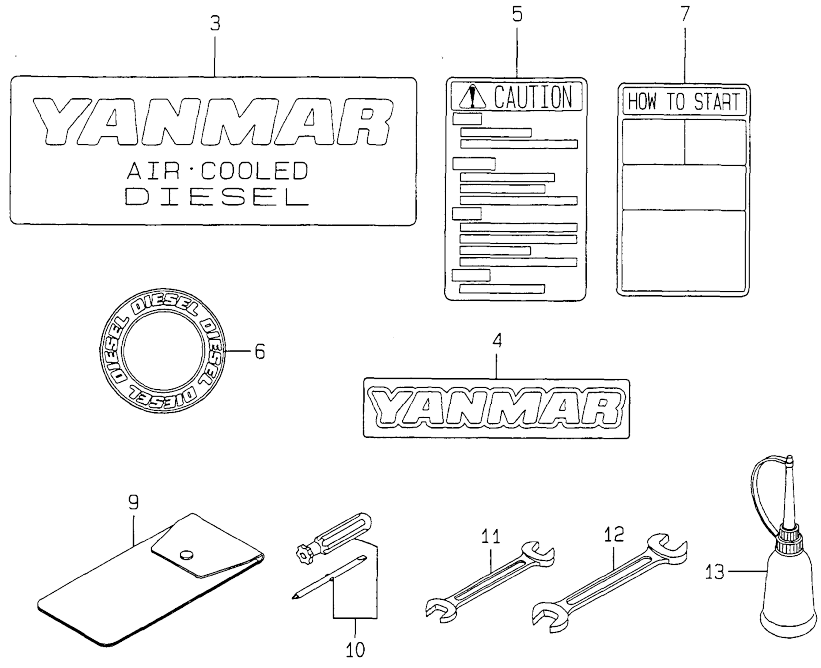
No.	Lev.	Parts No.	Description	Q'ty						I	R
				(A)	(B)	(C)	(D)	(E)	(F)		
1	1	114362-77011	STARTER ASSY, D				1				
2	2	114381-77110	ARMATURE				1				
3	2	X2114811000	WASHER KIT, THRUST				1				
4	2	X2114715500	STOPPER SET, PINION				1				
5	2	114381-77130	COIL ASSY, FIELD				1				
6	2	114381-77140	COVER				1				
7	2	114371-77160	HOLDER ASSY, BRUSH				1				
8	3	114371-79040	BRUSH, -				2				
9	3	114371-79050	BRUSH SET, +				1				
10	3	114371-79060	SPRING, BRUSH				4				
11	2	X2114455080	PINION ASSY				1				
12	2	114381-77150	CASE ASSY, GEAR				1				
13	2	114371-77170	COVER KIT, DUST				1				
14	2	X2114560130	LEVER KIT, SHIFT				1				
15	2	X2114275010	SWITCH ASSY, MAGNET				1				
16	2	X2114680050	BOLT, THROUGH				2				
17	2	114371-79070	BOLT, M6				2				
18	2	X2114274200	COVER, TERMINAL				1				
19	1	26106-100302	BOLT, M10X 30 PLATED				2				
20	1	114351-78251	DYNAMO ASSY, 12V/13V				1				
21	2	114351-78751	STATOR ASSY				1				
22	2	114351-78761	WHEEL, DYNAMO				1				
23	1	160710-78710	CLAMP, CORD				1				
24	1	26476-060142	SCREW, TAPPING M6X14				1				
25	1	26476-060202	SCREW, TAPPING M6X20				3				
26	1	26577-060142	SCREW M 6X 14				3				
27	1	160970-77350	RECTIFIER, ZR2117				1				
28	1	26106-060122	BOLT, M6X 12 PLATED				1				
29	1	183350-77400	LEAD WIRE				1				

Fig.21. TOOL, LABEL & GASKET SET

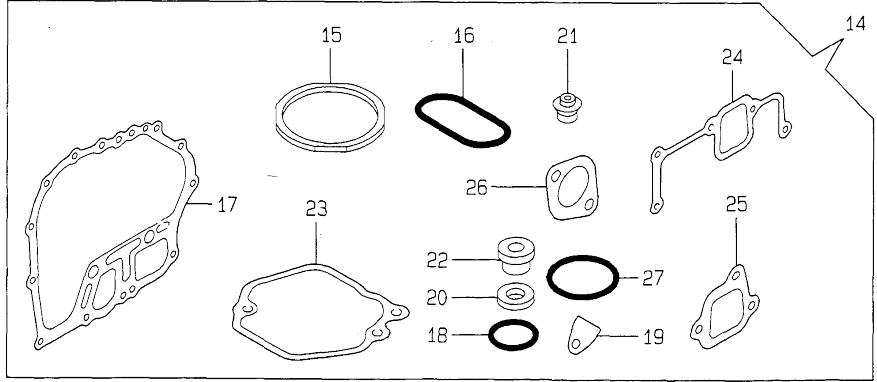
21. TOOL, LABEL & GASKET SET

(A)=  
(B)=  
(C)=L100AE-DI

(D)=L100AE-DEI  
(E)=  
(F)=



No.	Lev.	Parts No.	Description	Q'ty						I	R	
				(A)	(B)	(C)	(D)	(E)	(F)			
3	1	114250-07090	LABEL, YANMAR MARK A			1	1					
4	1	114250-07111	LABEL, YANMAR MARK			1	1					
5	1	114268-07240	LABEL, CAUTION			1	1					
6	1	114261-07350	LABEL, DIESEL			1	1					
7	1	114268-07350	LABEL, HOW TO START			1	1					
9	1	114250-92600	BAG, TOOL			1	1					
10	1	160330-92730	SCREW-DRIVER			1	1					
11	1	28110-100120	SPANNER, 10X12			1	1					
12	1	28110-140170	SPANNER, 14X17			1	1					
13	1	28210-000150	OILER			1	1					
14	1	714989-92600	GASKET SET			1	1					1
15	2	114970-01340	GASKET, HEAD			1	1					
16	2	114650-01380	O-RING, TAPPET			1	1					
17	2	114650-01412	GASKET, CRANK CASE			1	1					
18	2	24311-000180	O-RING, 1AP18.0			2	2					
19	2	114250-01841	GASKET, COVER			1	1					
20	2	22190-160002	WASHER, SEAL 16			2	2					
21	2	114650-11340	SEAL, VALVE STEM			2	2					
22	2	114250-11460	GASKET, NOZZLE			1	1					
23	2	114650-11311	GASKET, BONNET			1	1					
24	2	114650-12301	GASKET, INTAKE PIPE			1	1					
25	2	114650-12211	GASKET, AIR CLEANER			1	1					
26	2	114650-13201	GASKET, MUFFLER			1	1					
27	2	103338-32570	O-RING, PUMP COVER			1	1					



Remarks  
(1)Optional parts.

## Parts No. Index

Parts No.	Fig. No.	Ref. No.
102100-67080	5	36
	16	36
103338-32570	5	7
	10	28
	16	7
	21	27
103854-01221	4	20
104200-23201	15	43
104211-11370	12	14
		27
105025-01220	11	8
105425-01690	1	35
	11	21
105546-51020	7	2
	18	2
105546-51330	7	14
	18	13
106990-44660	8	25
	19	25
114250-01200	1	8
114250-01210	1	9
114250-01221	1	10
114250-01251	1	11
114250-01380	1	14
	10	16
114250-01412	1	26
	10	17
114250-01800	1	15
	11	25
114250-01830	1	20
	11	30
114250-01841	1	21
	10	18
	11	31
	21	19
114250-02030	1	40
	11	40
114250-02100	1	30
114250-02113	1	41
114250-02200	1	47
114250-02210	1	48
114250-03591	2	38
	12	36
114250-03640	2	41
	12	39
114250-07090	10	10
	21	3
114250-07111	10	9
	21	4
114250-11101	2	6

Parts No.	Fig. No.	Ref. No.
114250-11113	2	7
114250-11120	2	8
114250-11180	2	9
114250-11240	2	21
		26
	12	20
		25
114250-11290	2	12
114250-11311	2	35
	10	24
114250-11340	2	15
	10	19
114250-11460	2	16
	10	20
	12	15
	21	22
114250-11600	2	18
114250-11651	2	19
114250-11900	2	30
	12	28
114250-11951	2	36
114250-12010	3	10
114250-12201	3	11
	10	21
114250-12211	3	1
	10	22
114250-12520	3	4
114250-12530	3	5
114250-12550	3	8
114250-12560	3	6
114250-12580	3	7
114250-13201	3	19
	10	23
114250-13521	3	15
114250-13701	3	17
114250-14200	4	6
114250-14260	4	7
	15	7
114250-14450	4	8
114250-21550	4	27
114250-22302	4	37
114250-23200	4	42
114250-23220	4	43
114250-23250	4	44
114250-32010	5	1
114250-32070	5	6
	16	6
114250-35070	5	10
	16	10
114250-35150	1	32

Parts No.	Fig. No.	Ref. No.
114250-35150	11	32
114250-45211	6	1
114250-45301	6	4
	17	7
114250-45310	6	5
	17	8
114250-45330	6	6
114250-51080	7	3
	18	3
114250-51160	7	4
	18	9
114250-51200	7	5
114250-51300	7	11
114250-51340	7	15
	18	14
114250-51600	7	17
	18	16
114250-51640	7	18
	18	17
114250-51650	7	19
	18	18
114250-53001	7	23
114250-53080	7	26
	18	25
114250-53120	7	27
	18	26
114250-53130	7	28
	18	27
114250-53140	7	29
	18	28
114250-53210	7	30
	18	29
114250-53300	7	31
114250-53331	7	34
	18	33
114250-53400	7	35
	18	34
114250-55041	8	3
	19	3
114250-55050	8	4
	19	4
114250-55060	8	5
	19	5
114250-55080	19	7
114250-55100	8	8
	19	8
114250-55121	8	14
	19	14
114250-55130	8	15
	19	15

Parts No.	Fig. No.	Ref. No.
114250-55150	8	9
114250-55201	8	10
	19	10
114250-55211	8	16
	19	16
114250-55231	8	17
114250-55300	8	18
	19	18
114250-59050	8	26
	19	26
114250-59060	8	28
114250-59800	7	42
114250-66050	5	29
	16	29
114250-66200	5	42
	16	42
114250-66440	5	35
	16	35
114250-66550	5	43
114250-76590	6	23
114250-76600	6	26
114250-76610	6	27
114250-92600	10	1
	21	9
114252-12550	13	10
114252-12560	13	9
114252-66252	5	31
	16	31
114260-01455	1	27
114260-76050	6	8
114260-76250	6	9
114260-76520	6	10
114261-07350	10	8
	21	6
114262-21600	4	26
114268-07240	10	11
	21	5
114268-07350	10	12
	21	7
114268-13800	3	23
114270-01600	1	22
	11	34
114270-61520	5	25
	16	25
114350-01700	1	6
	11	6
114350-11470	2	17
	12	16
114350-45320	17	2
114350-45340	17	3

## Parts No. Index

Parts No.	Fig. No.	Ref. No.
114351-78251	9	20
	20	20
114351-78751	9	21
	20	21
114351-78761	9	22
	20	22
114362-77011	9	1
	20	1
114370-45350	6	7
	17	10
114371-77160	9	7
	20	7
114371-77170	9	13
	20	13
114371-79040	9	8
	20	8
114371-79050	9	9
	20	9
114371-79060	9	10
	20	10
114371-79070	9	17
	20	17
114381-77110	9	2
	20	2
114381-77130	9	5
	20	5
114381-77140	9	6
	20	6
114381-77150	9	12
	20	12
114650-01230	11	9
114650-01240	11	10
114650-01250	11	11
114650-01260	11	12
114650-01380	11	14
	21	16
114650-01412	11	15
	21	17
114650-02100	11	19
114650-02150	11	41
114650-02200	11	46
114650-02210	11	47
114650-11010	12	1
114650-11100	12	6
114650-11121	12	8
114650-11261	12	12
114650-11311	12	33
	21	23
114650-11340	12	13
	21	21

Parts No.	Fig. No.	Ref. No.
114650-11600	12	17
114650-11652	12	18
114650-11951	12	34
114650-12020	13	12
114650-12211	13	1
	21	25
114650-12301	13	13
	21	24
114650-12520	13	4
114650-12530	13	5
114650-12590	13	6
114650-13201	14	1
	21	26
114650-14200	15	6
114650-14401	15	8
114650-21551	15	21
114650-22300	15	37
114650-32010	16	1
114650-45201	17	1
114650-45330	17	9
114650-51300	18	10
114650-53000	18	22
114650-53300	18	30
114650-55150	19	9
114650-55230	19	17
114650-55810	8	20
	19	20
114650-59810	18	41
114650-59850	18	47
114650-66500	16	43 -1
114650-66550	16	43
114650-76520	17	13
114650-76540	17	16
114650-76630	17	23
114650-76631	17	23 -1
114652-59300	19	27
114652-59310	19	30
114654-11110	12	7
114658-13800	14	10
114660-01471	11	16
114660-21401	15	22
114660-76050	17	11
114660-76051	17	11 -1
114660-76052	17	11 -2
114660-76250	17	12
114660-76251	17	12 -1
114660-76530	17	14
114660-76531	17	14 -1
114660-76590	17	27
114660-76591	17	27 -1

Parts No.	Fig. No.	Ref. No.
114660-76592	17	27 -2
114662-21592	15	24
114662-21601	15	27
114668-45102	17	6
114770-01340	1	13
	10	15
114770-11020	2	1
114770-61190	5	28
	16	28
114770-61600	5	26
	16	26
114770-61610	5	27
	16	27
114770-66010	5	41
114780-21400	4	21
114781-21590	4	23
114788-45100	6	3
114870-76530	17	15 -1
114870-76540	17	16 -1
114870-76560	17	18 -1
114870-76570	17	19 -1
114870-76580	17	26 B
114870-76620	17	22 -1
114880-76520	17	13 -1
114880-76550	17	26 A
114970-01340	11	13
	21	15
114970-13550	14	2
114970-13560	14	4
114970-13700	14	5
114970-13710	14	6
114970-51100	18	4
114970-66010	16	41
119260-11370	2	28
		29
119620-11180	12	9
121750-59890	19	31
122710-01220	15	12
124060-23100	15	42
124550-51350	7	16
	18	15
124722-59050	8	13
		27
	19	11
		28
124950-01250	1	12
129792-22400	15	38
135210-61090	5	49
	16	49
160110-02220	1	42

Parts No.	Fig. No.	Ref. No.
160210-02220	1	43
160260-01580	14	3
160260-76520	6	11
160260-76530	6	12
160260-76540	6	13
160260-76550	6	14
160260-76560	6	15
160260-76580	6	17
160260-76590	6	18
160260-76600	6	19
160260-76620	6	21
160260-76630	6	22
160290-76570	6	16
160330-92730	10	2
	21	10
160710-01760	1	36
160710-78710	9	23
	20	23
160725-78350	5	38
	16	38
160910-01740	11	22
160910-76530	17	15
160910-76550	17	17
160910-76560	17	18
160910-76570	17	19
160910-76580	17	20
160910-76620	17	22
160910-76650	17	24
160970-77350	9	27
	20	27
183350-77400	9	29
	20	29
183720-55210	17	4
22117-080000	8	21
	19	21
22190-160002	1	39
	10	26
	11	39
	21	20
22217-060000	17	25
22252-000190	4	38
22312-030080	4	45
22312-030160	2	43
	5	8
	12	41
	16	8
22322-030200	5	18
		19
	16	18
		19

## Parts No. Index

Parts No.	Fig. No.	Ref. No.
22351-020006	7	20
	18	19
22351-030008	7	21
	18	20
22351-040008	2	31
	12	29
22451-060000	5	50
	16	50
22512-040120	4	28
22512-050140	15	28
23414-120000	8	11
	19	12
23871-010000	1	46
	11	33
23887-120002	8	12
	19	13
24101-062024	4	69
24101-062034	15	51
24101-063034	15	52
24162-152112	1	44
	11	42
24311-000180	1	38
	10	25
	11	24
	21	18
24341-000150	8	19
	19	19
24341-000224	5	11
	10	27
	16	11
24423-355008	11	43
		44
26106-060082	3	18
	6	24
	17	28
26106-060122	3	20
	6	25
	9	28
	17	29
		29 -1
	20	28
26106-060162	5	12
	16	12
26106-060202	5	39
	16	39
26106-060252	1	33
	3	12
	13	14
26106-060552	2	46
26106-060702	12	44

Parts No.	Fig. No.	Ref. No.
26106-080122	1	45
	11	45
26106-080182	14	7
26106-080352	1	34
	11	35
26106-080452	2	32
	8	22
	19	22
26106-100122	1	7
	11	7
26106-100302	9	19
	20	19
26106-100552	12	30
26117-040088	5	40
	16	40
26216-080182	3	21
26226-060142	3	13
	13	15
26226-060182	1	23
	11	36
26226-060222	1	24
	11	37
26226-060502	2	33
	12	31
26226-060552	3	14
26226-060752	13	16
26226-080202	14	8
26347-060002	5	51
	16	51
26366-060002	1	25
	2	34
	3	9
	8	23
	11	38
	12	32
	13	11
	19	23
26366-080002	3	22
	14	9
26476-060142	5	9
		52
	6	2
	8	24
	9	24
	16	9
		52
	19	24
	20	24
26476-060202	9	25
	17	5

Parts No.	Fig. No.	Ref. No.
26476-060202	20	25
26577-060142	9	26
	20	26
26696-100002	5	48
	16	48
26717-060002	17	26
26756-060002	2	22
		27
	12	21
		26
26757-060002	5	37
	16	37
27310-070001	12	10
28110-100120	10	3
	21	11
28110-140170	10	4
	21	12
28210-000150	10	5
	21	13
714250-11570	2	10
714250-12560	3	2
714250-23600	4	46
714250-23610	4	60
714250-23620	4	62
714250-23703	4	39
714250-53101	7	22
714250-55711-R	8	1
714250-61500	5	13
714268-66500	5	32
	16	32
714270-11660	2	23
714288-21710	4	12
714650-12560	13	2
714650-23600	15	44
714650-23610	15	67
714650-23620	15	69
714650-23700	15	39
714650-53100	18	21
714650-55701	19	1 -1
714650-61500	16	13
714650-77501	19	1
714670-11660	12	22
714685-61700	16	20
714688-21730	15	13
714689-14580	15	1
714770-22500	4	31
714770-22540	4	50
714770-22550	4	56
714770-28510	4	64
714770-28511	4	64 -1

Parts No.	Fig. No.	Ref. No.
714770-28512	4	64 -2
714770-51700	7	1
714770-61700	5	20
714770-92601	10	14
714771-01560	1	1
714780-14580	4	1
714780-14581	4	1 -1
714780-22580	4	54
714780-22620	4	48
714780-22720	4	29
714970-01560	11	1
714970-22500	15	31
714970-22540	15	55
714970-22550	15	63
714970-28511	15	46
714970-51700	18	1
714980-22580	15	61
714980-22620	15	53
714980-22720	15	29
714989-92600	21	14
X2114274200	9	18
	20	18
X2114275010	9	15
	20	15
X2114455080	9	11
	20	11
X2114560130	9	14
	20	14
X2114680050	9	16
	20	16
X2114715500	9	4
	20	4
X2114811000	9	3
	20	3