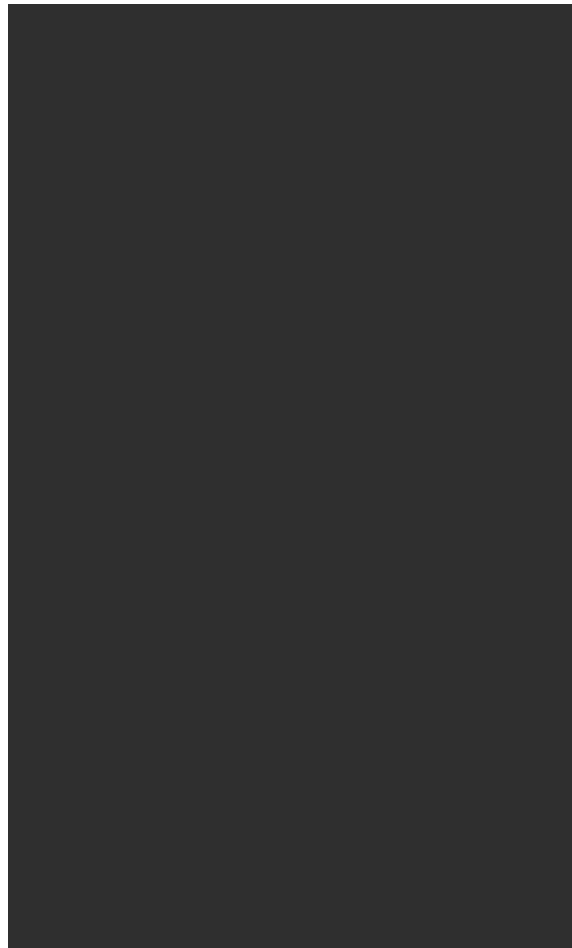


OCD11-M05900EN



P R E F A C E

1.This parts catalog is a first edition of the L48AE-DGY6B, L70AE-DEGY6B, L100AE-DEGY6B Diesel engine.

	Parts catalog No.	Date of issue	Remarks
First edition	OCD11-G05900	Mar.,2009	No need

2.This parts catalog dose not contain the technical data needed for maintenance service.

3.The illustrations used in this parts catalog have been simplified for clarity.

4.The contents of this parts catalog are subject to change without notice.

5.Be sure to use only Yanmar genuine parts for repairs. If imitation parts are used, it may cause engine defects.

Directions for the Parts Catalog.

- 1.The parts stipulated in this Parts Catalog are not necessarily standard equipped parts.
- 2.Parts may change without prior notice.
- 3.The following is an example of the Parts Catalog format.

REF.	LEV.	PARTS No.	DESCRIPTION	QTY						I	R
				(A)	(B)	(C)	(D)	(E)	(F)		
1		729595-61390	FUEL INJECTION PUMP	1	1	1	1	1	1		
1-1		729595-51391	FUEL INJECTION PUMP	1	1	1	1	1	1		
		(A)=E#00185 (B=E00200)									
3		26022-060162	SCREW M 6X16	9	9	9	9	9	9		
3-1		26022-060162	SCREW M 6X16	4	4	4	4	4	4		K
		(A=E00156) (B=E00156) (C=E00156) (D=E00156) (E=E00156)									
4		129470-51040	CAWSHFT	9	9	9	9	9	9		
5		122710-51060	BEARING. ROLLER	9	9	9	9	9	9		
6		129470-51060	RETAINER	9	9	9	9	9	9		

Remarks	(1) BOOST COMPENSATOR TYPE. OPTIONAL PART. TO E/#00155 (4JH-DT, 4JH-DTZ)
---------	--------------------------------------------------------------------------

① Ref. No.

The Ref. No. listed may not be in accordance with the illustration Ref. No.
 (Ex.) Illustration No. List Ref No.

1 1 (Before change) → 1-1 (After change)

For interchangeable symbols N, R and K, illustrations for new parts may be abbreviated.

② Lev. (Level)

Level indication

The numbers below indicate the level of relativity towards the main part.

- 1 ---- Main parts (Assembly parts)
- 2 ---- Sub component included in " 1 ".
- 3 ---- Sub component included in " 2 ".

Note) Parts that are not for sale are partially illustrated but not listed.

③ Change Mark

The "I" indicates parts that were newly changed.

④ Interchangeability Mark

When a part change takes place, one of the following interchangeability symbols is indicated beside the part.

Symbol	Interchangeability	Contents note
N	Old ← Yes → New No	New Part is interchangeable for Old Part but Old Part is not interchangeable for New Part.
Q	Old ← No → New Yes	New Part is not interchangeable for Old Part but Old Part is interchangeable for New Part.
R	Old ← Yes → New Yes	New/ Old Parts are both interchangeable.
S	Old ← No → New No	New/ Old Parts are both not interchangeable.
W		Part discontinued.
Z		Part newly added.
F		Not interchangeable by a single part but interchangeable together with related parts.
K		Changes only for used parts quantities.

⑤ Effective Machine No.

When a part changes, the effective Machine No. will be indicated in the (A)-(F) column.

Product Symbol	Product No.	Product Symbol	Product No.
C	Clutch No. Compressor No.	F	Machine No. (Agricultural Equip.)
D	Drive No.	M	Machine No.
E	Engine No.	Note 1)	Date

Note 1) A date may follow the symbol. (Ex.) 1996.01

Note 2) " XXX " are for parts that could not be predicted or for engine models that could not be identified.

Note 3) (A=E/#00185) is the E/# (Engine Serial Number) for the column (A) model (in this case 4JH-DT) after the parts design change.

⑥ Remarks Mark

Figures or alphabets (symbols) are entered in the remarks column.

The comments (remarks) on parts that are indicated at the bottom of the illustration are the same symbols as those stated above.

Contents

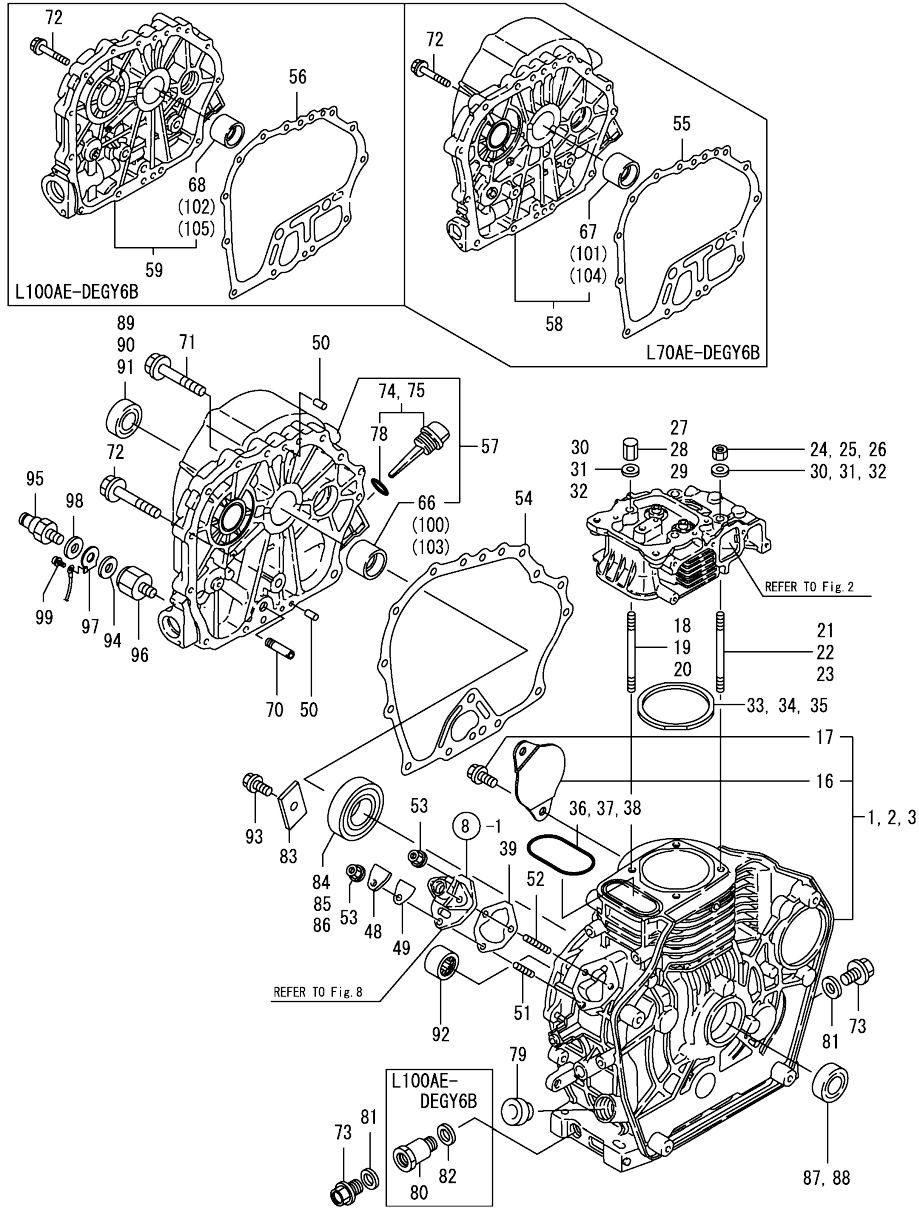
Fig. No. Fig. Name

L48AE-DGY6B/L70AE-DEGY6B/L100AE-DEGY6B

1. CYLINDER BLOCK
2. CYLINDER HEAD & BONNET
3. AIR CLEANER
4. MUFFLER
5. CRANKSHAFT,PISTON & CAMSHAFT
6. LUB.OIL PUMP & GOVERNOR
7. COOLING & STARTING DEVICE
8. FUEL INJECTION PUMP & VALVE
9. STARTING MOTOR & DYNAMO
10. TOOL,LABEL & GASKET SET

Fig. No. Fig. Name

Fig.1. CYLINDER BLOCK



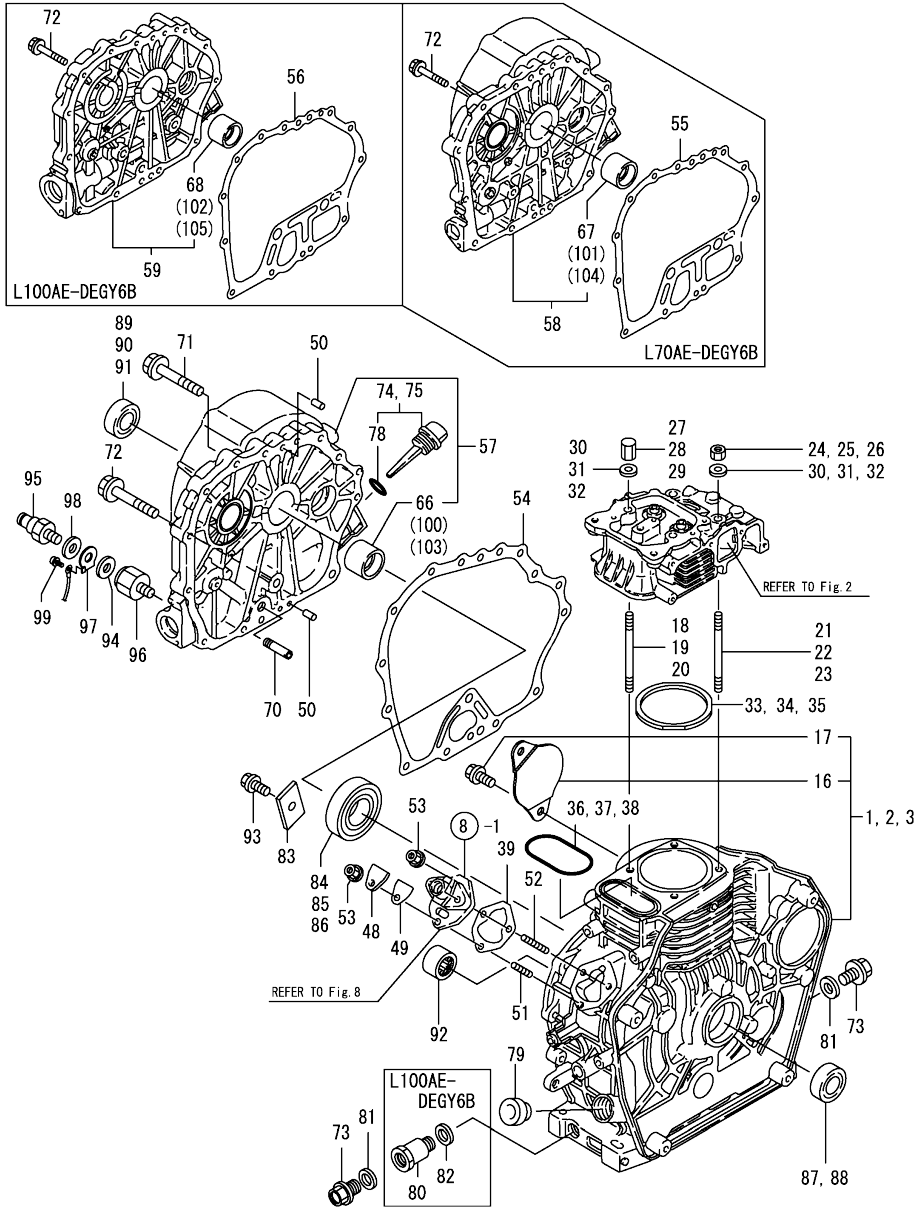
Remarks
 (1) REPAIR PART.
 (2) UNDER-SIZE(U.S=0.25)PART.
 (3) UNDER-SIZE(U.S=0.50)PART.

(A)=L48AE-DGY6B
 (B)=L70AE-DEGY6B
 (C)=L100AEDEGY6B

(D)=
 (E)=
 (F)=

No.	Lev.	Parts No.	Description	Q'ty						I	R
				(A)	(B)	(C)	(D)	(E)	(F)		
1	1	714771-01561	BLOCK ASSY, CYLINDER	1							
2	1	714888-01560	BLOCK ASSY, CYLINDER		1						
3	1	714970-01562	BLOCK ASSY, CYLINDER			1					
16	2	114350-01700	COVER	1							
17	2	26106-100122	BOLT, M10X 12 PLATED	2							
18	1	114250-01200	BOLT, HEAD	2							
19	1	114350-01200	BOLT, HEAD		2						
20	1	114650-01230	BOLT, HEAD			2					
21	1	114250-01210	BOLT, HEAD	2							
22	1	114350-01210	BOLT, HEAD		2						
23	1	114650-01240	BOLT, HEAD			2					
24	1	114250-01221	NUT, CYLINDER HEAD	2							
25	1	114350-01220	NUT, CYLINDER HEAD		2						
26	1	105025-01220	NUT, CYLINDER HEAD			2					
27	1	114250-01251	NUT, CAP	2							
28	1	114350-01250	NUT, CYLINDER HEAD		2						
29	1	114650-01250	NUT, CYLINDER HEAD			2					
30	1	124950-01250	WASHER	4							
31	1	105225-01240	WASHER		4						
32	1	114650-01260	WASHER			4					
33	1	114770-01340	GASKET, HEAD	1							
34	1	114870-01340	GASKET, HEAD		1						
35	1	114970-01340	GASKET, HEAD			1					
36	1	114250-01380	O-RING	1							
37	1	114350-01380	O-RING		1						
38	1	114650-01380	O-RING			1					
39	1	114250-01800	SHIM SET	1	1	1					
48	1	114250-01830	COVER	1	1	1					
49	1	114250-01841	GASKET	1	1	1					
50	1	114270-01600	PIN, M8X12	2	2	2					
51	1	26226-060182	STUD, M6X 18	1	1	1					
52	1	26226-060222	STUD, M6X 22	2	2	2					
53	1	26366-060002	NUT, M6	3	3	3					
54	1	114250-01412	GASKET, CRANK CASE	1							
55	1	114350-01412	GASKET, CRANK CASE		1						
56	1	114650-01412	GASKET, CRANK CASE			1					
57	1	183250-01451	COVER, CRANK CASE	1							
58	1	183350-01451	COVER, CRANK CASE		1						
59	1	114660-01471	COVER, CRANK CASE			1					
66	2	114250-02100	BEARING, MAIN	1							1
67	2	114350-02100	BEARING, MAIN		1						1
68	2	114650-02100	BEARING, MAIN			1					1
70	1	114250-35150	PIPE, OIL INLET	1	1	1					
71	1	26106-060252	BOLT, M6X 25 PLATED	14							
72	1	26106-080352	BOLT, M8X 35 PLATED	1	15	16					
73	1	105425-01690	PLUG, 16	2	2	2					
74	1	114299-01760	CAP ASSY	1							
75	1	114699-01760	CAP ASSY		1	1					
78	2	114299-01950	O-RING, 18	1	1	1					
79	1	160110-01870	PLUG, RUBBER	1	1	1					
80	1	183279-08350	NIPPLE, DRAIN			1					

Fig.1. CYLINDER BLOCK

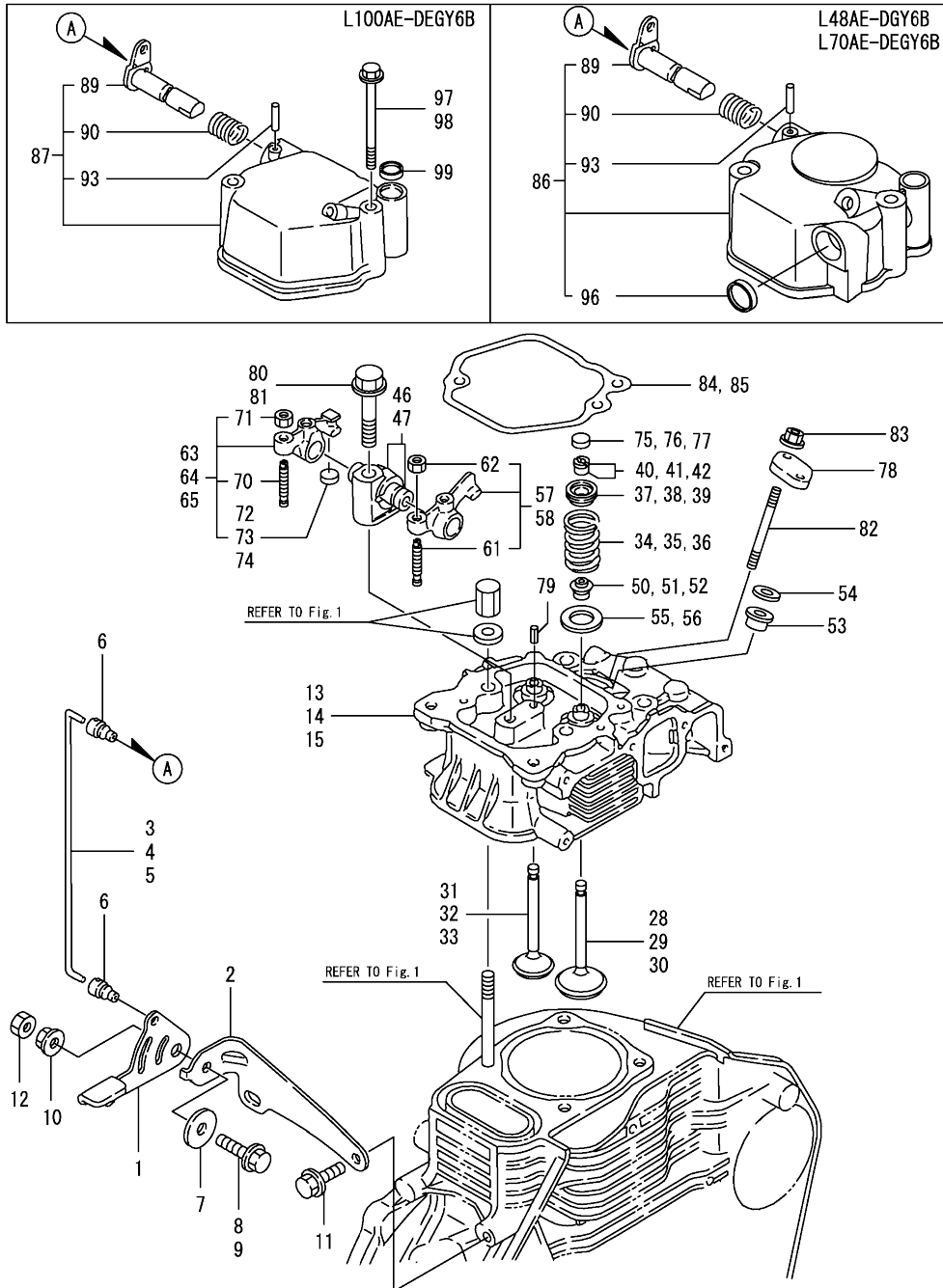


No.	Lev.	Parts No.	Description	Q'ty						I	R
				(A)	(B)	(C)	(D)	(E)	(F)		
81	1	22190-160002	WASHER, SEAL 16	2	2	2					
82	1	22190-160002	WASHER, SEAL 16						2		
83	1	114299-02030	RETAINER, BEARING	1	1	1					
84	1	114250-02113	BEARING, HR6306G3C3	1							
85	1	114350-02113	BEARING, B35-135G3C3		1						
86	1	114650-02150	BEARING, HR6308G3C3			1					
87	1	160110-02220	SEAL, OIL	1	1						
88	1	24423-355008	SEAL, OIL TC355008						1		
89	1	160210-02220	SEAL, 25X41.2X8	1							
90	1	160110-02220	SEAL, OIL		1						
91	1	24423-355008	SEAL, OIL TC355008						1		
92	1	24162-152112	BEARING, 152112	1	1	1					
93	1	26106-080122	BOLT, M8X 12 PLATED	1	1	1					
94	1	183366-08290	WASHER	1	1	1					
95	1	183250-39450	SWITCH, 1.0KG	1	1	1					
96	1	183366-39460	JOINT	1	1	1					
97	1	171022-39470	TERMINAL, EARTH	1	1	1					
98	1	22117-100000	WASHER, 10	1	1	1					
99	1	26557-040082	SCREW, M4X 8	1	1	1					
100	1	114250-02200	BEARING, 0.25 US	1							2
101	1	114350-02200	BEARING, 0.25 US		1						2
102	1	114650-02200	BEARING, 0.25 US			1					2
103	1	114250-02210	BEARING, 0.50 US	1							3
104	1	114350-02210	BEARING, 0.50 US		1						3
105	1	114650-02210	BEARING, 0.50 US			1					3

Remarks

- (1) REPAIR PART.
- (2) UNDER-SIZE(U.S=0.25)PART.
- (3) UNDER-SIZE(U.S=0.50)PART.

Fig.2. CYLINDER HEAD & BONNET

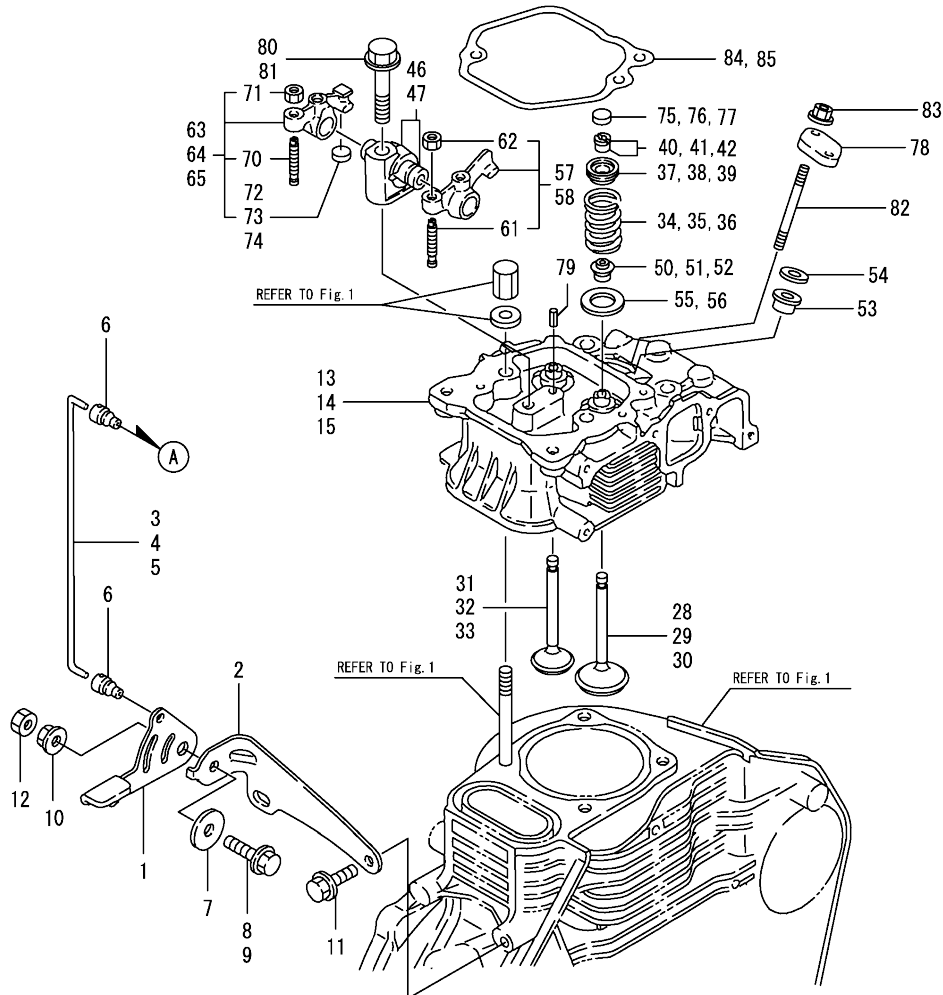
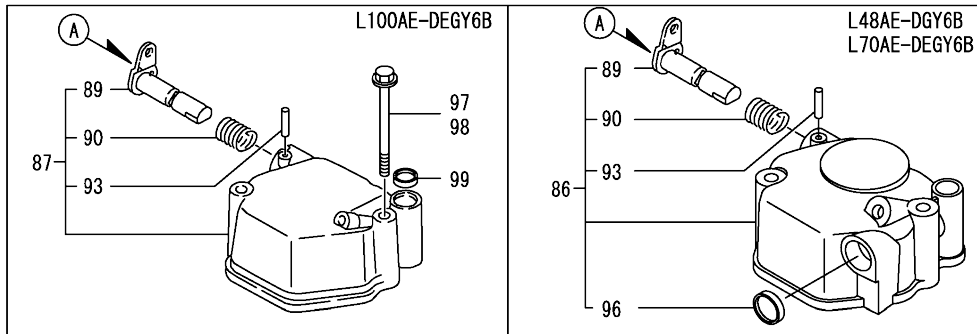


(A)=L48AE-DGY6B
 (B)=L70AE-DEGY6B
 (C)=L100AEDEGY6B

(D)=
 (E)=
 (F)=

No.	Lev.	Parts No.	Description	Q'ty						I	R
				(A)	(B)	(C)	(D)	(E)	(F)		
1	1	183250-03410	LEVER, DECOMPRESSION	1	1	1					
2	1	183250-03450	BRACKET, LEVER	1	1	1					
3	1	183250-03510	LINK	1							
4	1	183350-03510	LINK		1						
5	1	183650-03510	LINK				1				
6	1	183250-03550	JOINT	2	2	2					
7	1	160670-66350	COLLAR	1	1	1					
8	1	26106-060202	BOLT, M6X 20 PLATED	1	1						
9	1	26106-060122	BOLT, M6X 12 PLATED				1				
10	1	26366-060002	NUT, M6	1	1	1					
11	1	26476-060142	SCREW, TAPPING M6X14	2	2	2					
12	1	26756-060002	NUT, LOCK M6	1	1						
13	1	114770-11020	HEAD ASSY, CYLINDER	1							
14	1	114870-11021	HEAD ASSY, CYLINDER		1						
15	1	114650-11011	HEAD ASSY, CYLINDER				1				
28	1	114250-11101	VALVE, INTAKE	1							
29	1	114350-11101	VALVE, INTAKE		1						
30	1	114650-11100	VALVE, INTAKE				1				
31	1	114250-11113	VALVE, EXHAUST	1							
32	1	114350-11113	VALVE, EXHAUST		1						
33	1	114654-11110	VALVE, EXHAUST				1				
34	1	114250-11120	SPRING, VALVE	2							
35	1	114350-11120	SPRING, VALVE		2						
36	1	114650-11121	SPRING, VALVE				2				
37	1	114250-11180	RETAINER, SPRING	2							
38	1	101158-11180	RETAINER, SPRING		2						
39	1	119620-11180	RETAINER, SPRING				2				
40	1	27310-055001	COTTER, 5.5	2							
41	1	27310-060001	COTTER, 6		2						
42	1	27310-070001	COTTER, 7				2				
46	1	114250-11290	SUPPORT, ROCKER ARM	1	1						
47	1	114650-11261	SUPPORT, ROCKER ARM				1				
50	1	114250-11340	SEAL, VALVE STEM	2							
51	1	114350-11340	SEAL, VALVE STEM		2						
52	1	114650-11340	SEAL, VALVE STEM				2				
53	1	114250-11460	GASKET, NOZZLE	1	1	1					
54	1	114350-11470	SPACER, NOZZLE	1	1	1					
55	1	114250-11600	WASHER	2	2						
56	1	114650-11600	WASHER				2				
57	1	114250-11651	ARM, ROCKER	1	1						
58	1	114650-11652	ARM, ROCKER				1				
61	2	114250-11240	SCREW, VALVE ADJUST	1	1	1					
62	2	26856-060002	NUT, M6	1	1	1					
63	1	714270-11660	ARM ASSY, ROCKER		1						
64	1	714370-11660	ARM ASSY, ROCKER				1				
65	1	714670-11660	ARM ASSY, ROCKER						1		
70	2	114250-11240	SCREW, VALVE ADJUST	1	1	1					
71	2	26856-060002	NUT, M6	1	1	1					
72	2	119260-11370	CAP, VALVE		1						
73	2	105010-11490	CAP, VALVE				1				
74	2	104211-11370	CAP, VALVE						1		

Fig.2. CYLINDER HEAD & BONNET

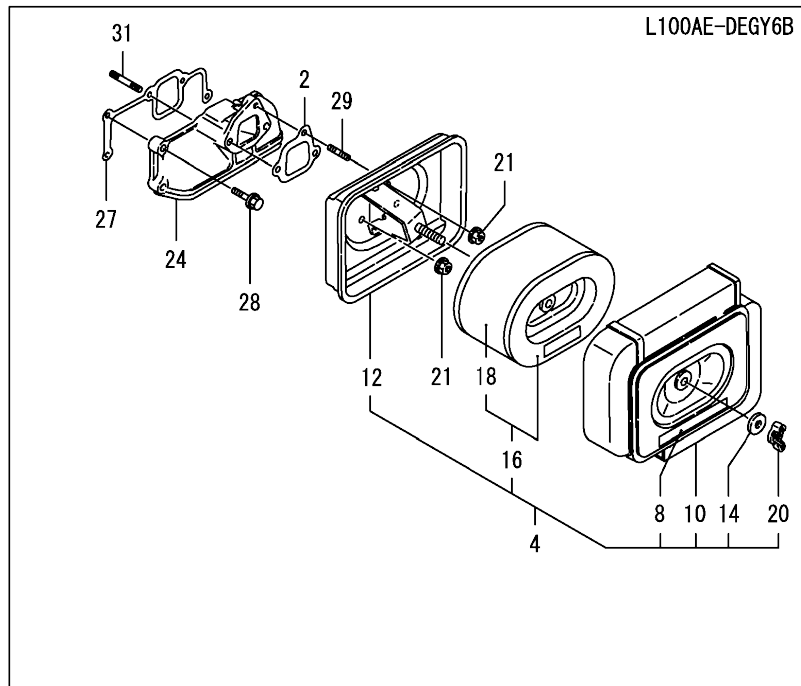
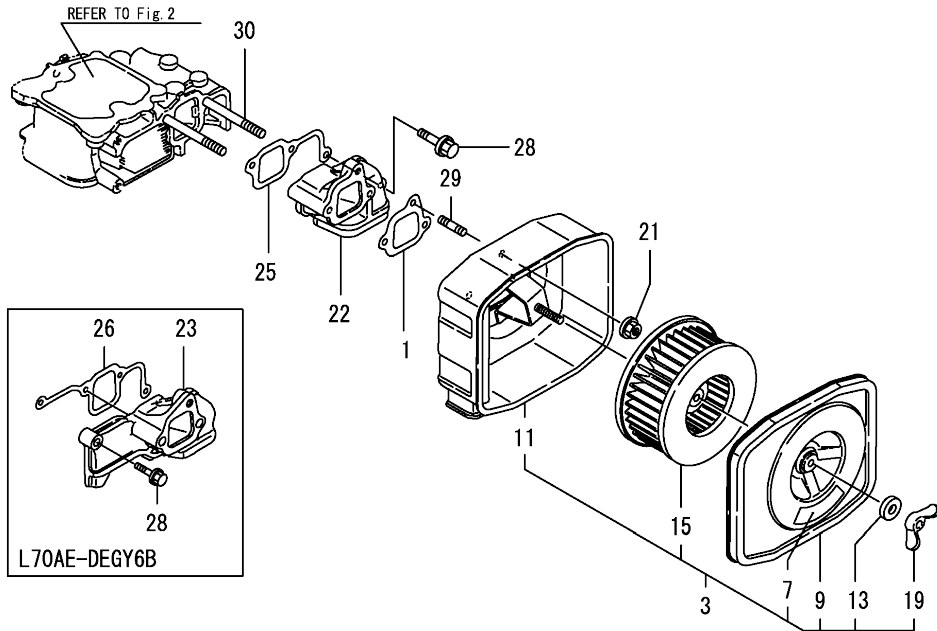


(A)=L48AE-DGY6B
 (B)=L70AE-DEGY6B
 (C)=L100AEDEGY6B

(D)=
 (E)=
 (F)=

No.	Lev.	Parts No.	Description	Q'ty						I	R
				(A)	(B)	(C)	(D)	(E)	(F)		
75	1	119260-11370	CAP, VALVE	1							
76	1	105010-11490	CAP, VALVE		1						
77	1	104211-11370	CAP, VALVE			1					
78	1	114250-11901	RETAINER, NOZZLE	1	1	1					
79	1	22351-040008	PIN, SPRING 4.0X 8	1	1	1					
80	1	26106-080452	BOLT, M8X 45 PLATED	1	1						
81	1	26106-100552	BOLT, M10X 55 PLATED							1	
82	1	26226-060502	STUD, M6X 50	2	2	2					
83	1	26366-060002	NUT, M6	2	2	2					
84	1	114250-11311	GASKET, BONNET	1	1						
85	1	114650-11311	GASKET, BONNET							1	
86	1	183250-11960	BONNET ASSY, HEAD	1	1						
87	1	183650-11951	BONNET ASSY, HEAD							1	
89	2	183250-03601	SHAFT, DECOMPRESSION	1	1	1					
90	2	114250-03640	SPRING, DECOMPRESSION	1	1	1					
93	2	22312-030160	PIN, PARALLEL M3X16	1	1	1					
96	2	41868-170000	PLUG 17 BORE	1	1						
97	1	26106-060552	BOLT, M6X 55 PLATED	2	2						
98	1	26106-060702	BOLT, M6X 70 PLATED							2	
99	1	129100-61850	PLUG, 12	1	1						

Fig.3. AIR CLEANER

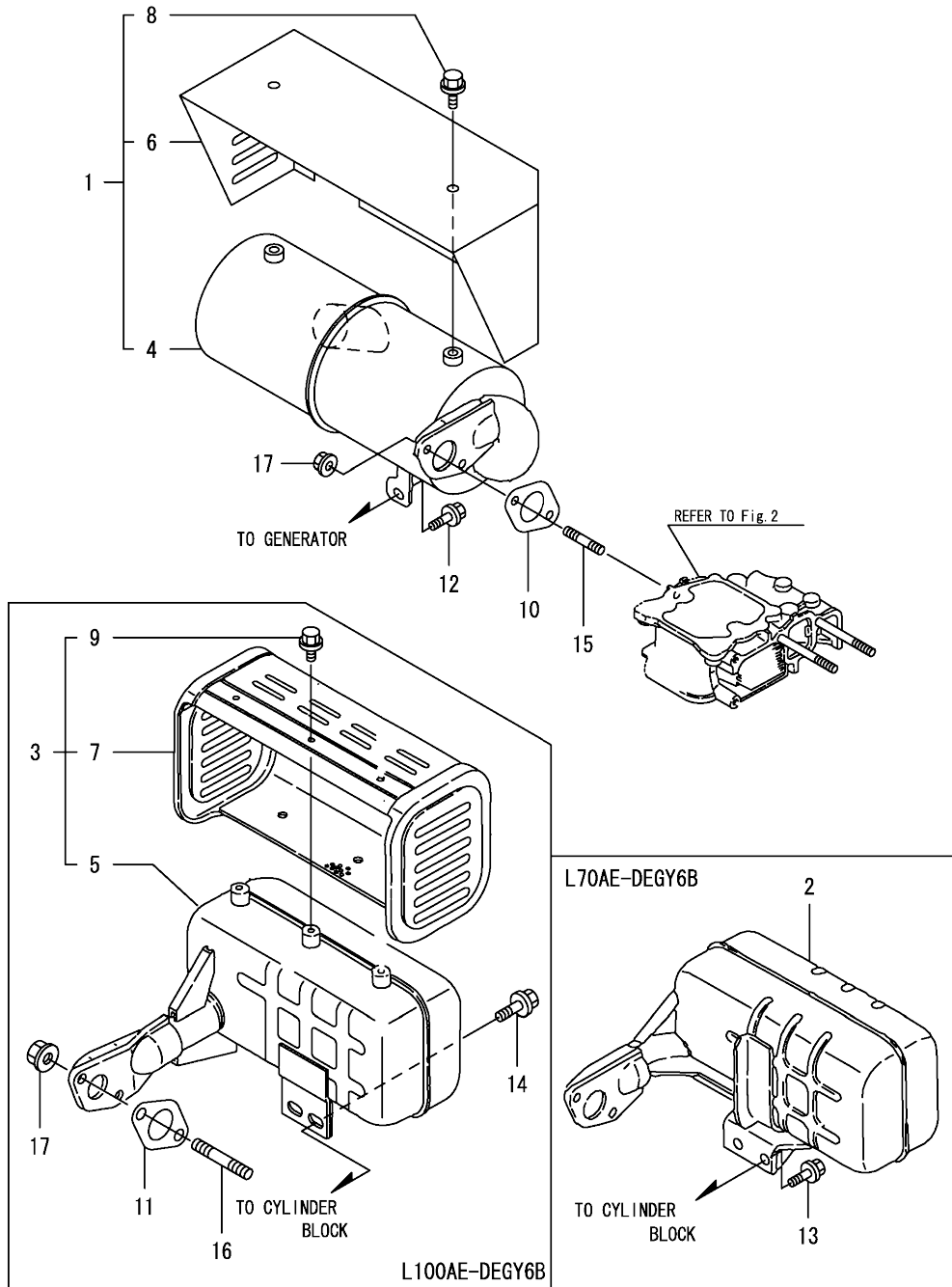


(A)=L48AE-DGY6B
(B)=L70AE-DEGY6B
(C)=L100AEDEGY6B

(D)=
(E)=
(F)=

No.	Lev.	Parts No.	Description	Q'ty						I	R
				(A)	(B)	(C)	(D)	(E)	(F)		
1	1	114250-12211	GASKET, AIR CLEANER	1	1						
2	1	114650-12211	GASKET, AIR CLEANER			1					
3	1	714250-12560	CLEANER ASSY, AIR	1	1						
4	1	714650-12561	CLEANER ASSY, AIR			1					
7	2	114770-07450	LABEL, AIR CLEANER	1	1						
8	2	114650-07450	LABEL, AIR CLEANER			1					
9	2	114250-12520	COVER, AIR CREAMER	1	1						
10	2	114650-12520	COVER, AIR CREAMER			1					
11	2	114250-12530	CASE ASSY, CLEANER	1	1						
12	2	114650-12531	CASE ASSY, CLEANER			1					
13	2	114250-12560	WASHER, SEAL M6	1	1						
14	2	114252-12560	WASHER, SEAL M8			1					
15	2	114250-12581	ELEMENT	1	1						
16	2	114650-12591	ELEMENT ASSY			1					
18	3	114650-12551	FILTER, PRE			1					
19	2	114250-12550	NUT, WING M6	1	1						
20	2	114252-12550	NUT, WING M8			1					
21	1	114250-12300	NUT	3	3	3					
22	1	114299-12010	PIPE, AIR INTAKE	1							
23	1	114399-12010	PIPE, AIR INTAKE		1						
24	1	114699-12020	PIPE, AIR INTAKE			1					
25	1	114250-12201	GASKET	1							
26	1	114350-12202	GASKET, AIR INTAKE		1						
27	1	114650-12301	GASKET			1					
28	1	26106-060252	BOLT, M6X 25 PLATED	1	2	3					
29	1	26226-060142	STUD, M6X 14	1	1	1					
30	1	26226-060552	STUD, M6X 55	2	2						
31	1	26226-060752	STUD, M6X 75			2					

Fig.4. MUFFLER

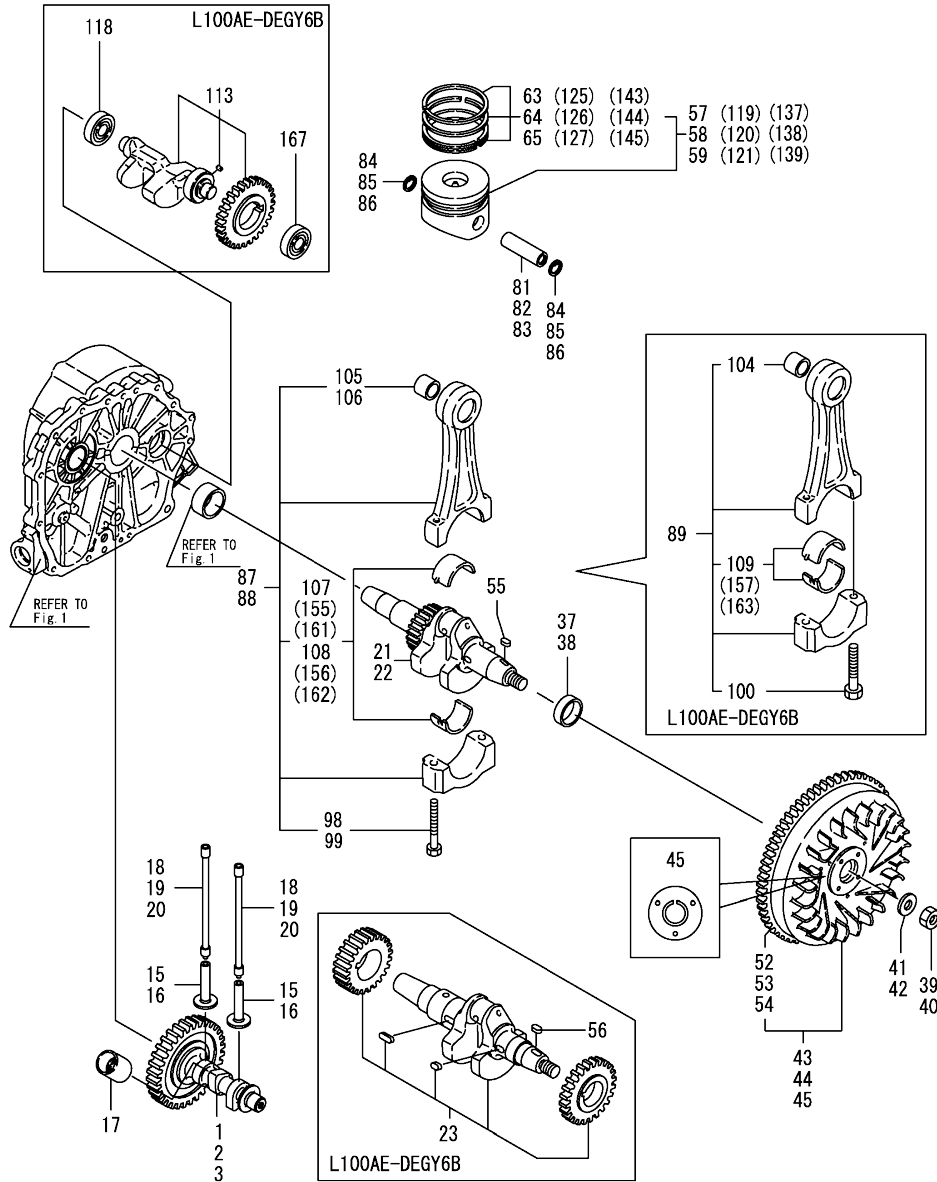


(A)=L48AE-DGY6B
 (B)=L70AE-DEGY6B
 (C)=L100AEDEGY6B

(D)=
 (E)=
 (F)=

No.	Lev.	Parts No.	Description	Q'ty						I	R
				(A)	(B)	(C)	(D)	(E)	(F)		
1	1	183284-13050	MUFFLER ASSY	1							
2	1	183854-13510	MUFFLER ASSY		1						
3	1	183650-13501	MUFFLER ASSY			1					
4	2	183284-13500	MUFFLER	1							
5	2	183650-13511	MUFFLER				1				
6	2	183284-13550	COVER	1							
7	2	183650-13700	COVER				1				
8	2	114252-13950	BOLT, M6X8	4							
9	2	26106-060082	BOLT, M6X 8 PLATED			6					
10	1	114250-13201	GASKET, MUFFLER	1	1						
11	1	114650-13201	GASKET (NON-ASB.)				1				
12	1	26106-080162	BOLT, M8X 16 PLATED	1							
13	1	26106-060162	BOLT, M6X 16 PLATED			2					
14	1	26106-080182	BOLT, M8X 18 PLATED				2				
15	1	26216-080182	STUD, M8X 18	2	2						
16	1	26216-080182	STUD, M8X 18						2		
17	1	26306-080002	NUT, M8	2	2	2					

Fig.5. CRANKSHAFT,PISTON & CAMSHAFT

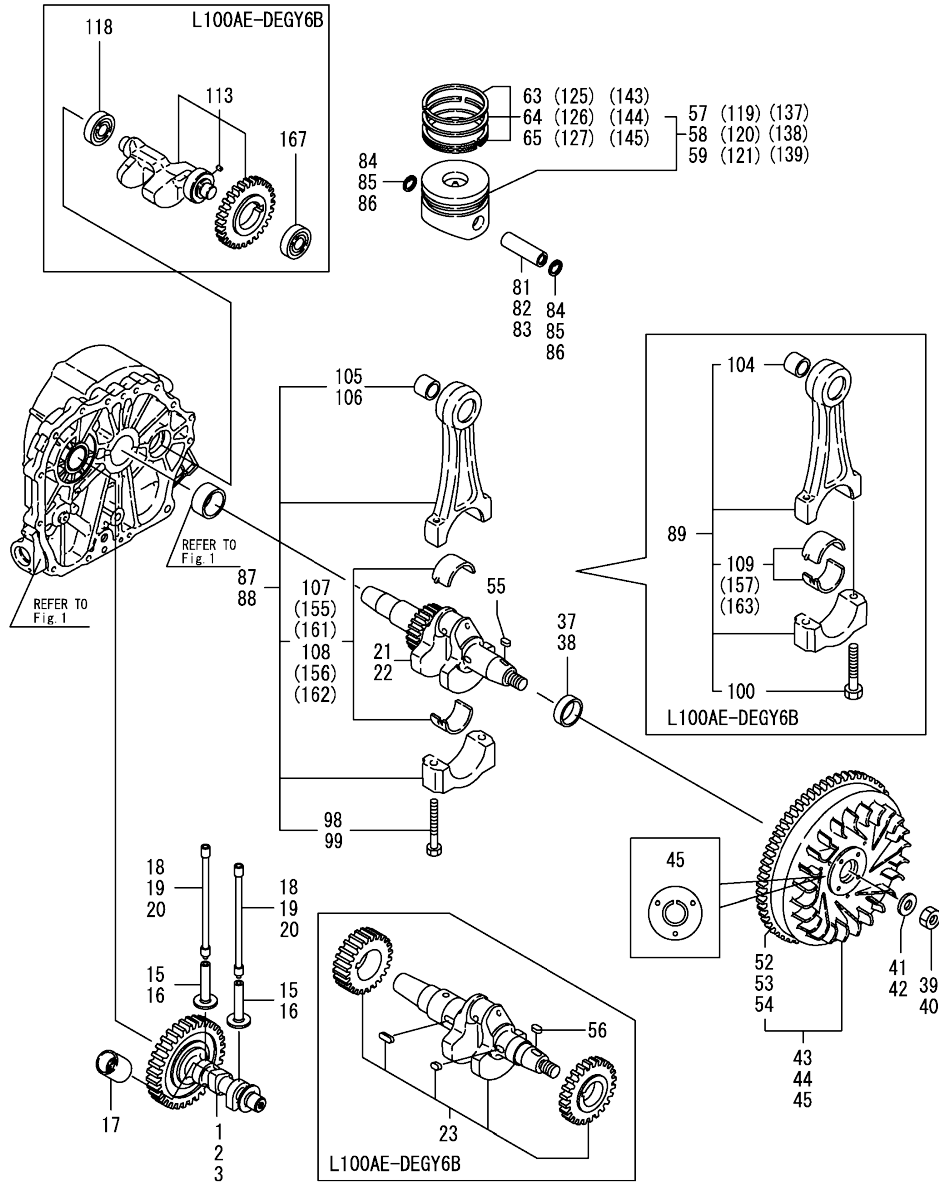


No.	Lev.	Parts No.	Description	Q'ty						I	R
				(A)	(B)	(C)	(D)	(E)	(F)		
1	1	714780-14580	CAMSHAFT ASSY	1							
2	1	714880-14580	CAMSHAFT ASSY		1						
3	1	714689-14580	CAMSHAFT ASSY			1					
15	1	114250-14200	TAPPET	2	2						
16	1	114650-14200	TAPPET				2				
17	1	114771-14260	TAPPET	1	1	1					
18	1	114250-14451	ROD ASSY, PUSH	2							
19	1	114350-14451	ROD ASSY, PUSH		2						
20	1	114650-14402	ROD ASSY, PUSH			2					
21	1	783292-21700	CRANKSHAFT ASSY	1							
22	1	783886-21700	CRANKSHAFT ASSY		1						
23	1	783692-21700	CRANKSHAFT ASSY			1					
37	1	183250-21350	SPACER, CRANKSHAFT	1							
38	1	183350-21350	SPACER, CRANKSHAFT		1						
39	1	103854-01221	NUT, CYLINDER HEAD	1	1						
40	1	122710-01220	NUT, CYLINDER HEAD				1				
41	1	114250-21550	WASHER	1	1						
42	1	114650-21551	WASHER				1				
43	1	114299-21420	FLYWHEEL	1							
44	1	114399-21590	FLYWHEEL ASSY		1						
45	1	114699-21590	FLYWHEEL ASSY			1					
52	2	114262-21600	GEAR, RING	1							
53	2	114399-21600	GEAR, RING		1						
54	2	114662-21601	GEAR, RING			1					
55	1	22512-040120	KEY, 4X 12	1	1						
56	1	22512-050140	KEY, 5X 14				1				
57	1	714780-22722	PISTON ASSY, D	1							
58	1	714880-22722	PISTON ASSY, D		1						
59	1	714980-22721	PISTON ASSY, D			1					
63	2	714787-22100	RING SET, PISTON	1							
64	2	714870-22502	RING SET, PISTON		1						
65	2	714970-22500	RING SET, PISTON			1					
81	1	114299-22300	PIN, PISTON D=19	1							
82	1	114399-22300	PIN, PISTON D=21		1						
83	1	114699-22300	PIN, PISTON D=23			1					
84	1	22252-000190	RING, 19	2							
85	1	22252-000210	RING, 21		2						
86	1	129792-22400	CIRCLIP, 23			2					
87	1	71477G-23700	ROD ASSY, CONNECTING	1							
88	1	71438G-23700	ROD ASSY, CONNECTING		1						
89	1	71465G-23700	ROD ASSY, CONNECTING			1					
98	2	118200-23200	BOLT, CONNECTING ROD		2						
99	2	119265-23200	BOLT, CONNECTING ROD	2							
100	2	105300-23200	BOLT, CONNECTING ROD			2					
104	2	124060-23100	BEARING, PISTON PIN			1					
105	2	114770-23100	BEARING, PISTON PIN	1							
106	2	114380-23100	BEARING, PISTON PIN		1						
107	2	714770-23600	BEARING, CRANK PIN	1							
108	2	714380-23600	BEARING, CRANK PIN		1						
109	2	714650-23600	BEARING, CRANK PIN			1					
113	1	714970-28511	SHAFT ASSY, BALANCER			1					

Remarks

- (1) OVER-SIZE(O.S=0.25)PART.
- (2) OVER-SIZE(O.S=0.50)PART.
- (3) UNDER-SIZE(U.S=0.25)PART.
- (4) UNDER-SIZE(U.S=0.50)PART.

Fig.5. CRANKSHAFT,PISTON & CAMSHAFT



(A)=L48AE-DGY6B
 (B)=L70AE-DEGY6B
 (C)=L100AEDEGY6B

(D)=
 (E)=
 (F)=

No.	Lev.	Parts No.	Description	Q'ty						I	R
				(A)	(B)	(C)	(D)	(E)	(F)		
118	1	24101-062034	BEARING, BALL 6203			1					
119	1	714780-22622	PISTON ASSY, 0.25 OS	1							1
120	1	714880-22622	PISTON ASSY, 0.25 OS		1						1
121	1	714980-22621	PISTON ASSY, 0.25 OS			1					1
125	2	714770-22540	RING SET, 0.25 OS	1							1
126	2	714870-22542	RING SET, 0.25 OS		1						1
127	2	714970-22540	RING SET, 0.25 OS			1					1
137	1	714780-22582	PISTON ASSY, 0.50 OS	1							2
138	1	714880-22582	PISTON ASSY, 0.50 OS		1						2
139	1	714980-22581	PISTON ASSY, 0.50 OS			1					2
143	2	714770-22550	RING SET, 0.50 OS	1							2
144	2	714870-22552	RING SET, 0.50 OS		1						2
145	2	714970-22550	RING SET, 0.50 OS			1					2
155	1	714770-23610	BEARING ASSY, 0.25	1							3
156	1	714380-23610	METAL ASSY, 0.25		1						3
157	1	714650-23610	BEARING ASSY, 0.25			1					3
161	1	714770-23620	BEARING, 0.50 US	1							4
162	1	714380-23620	BEARING, 0.50 US		1						4
163	1	714650-23620	BEARING, 0.50 US			1					4
167	1	24101-063034	BEARING, BALL 6303			1					

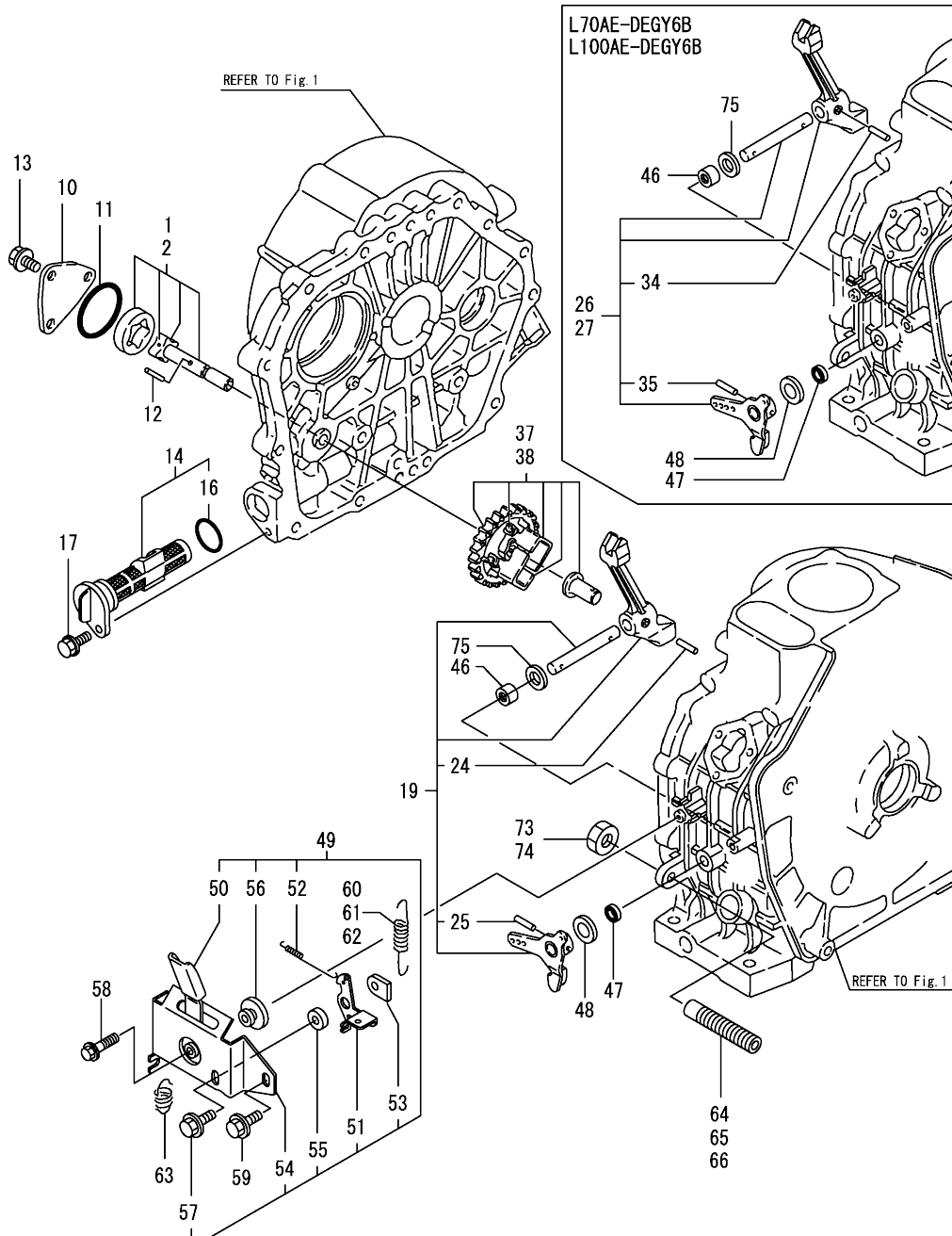
Remarks

- (1) OVER-SIZE(O.S=0.25)PART.
- (2) OVER-SIZE(O.S=0.50)PART.
- (3) UNDER-SIZE(U.S=0.25)PART.
- (4) UNDER-SIZE(U.S=0.50)PART.

Fig.6. LUB.OIL PUMP & GOVERNOR

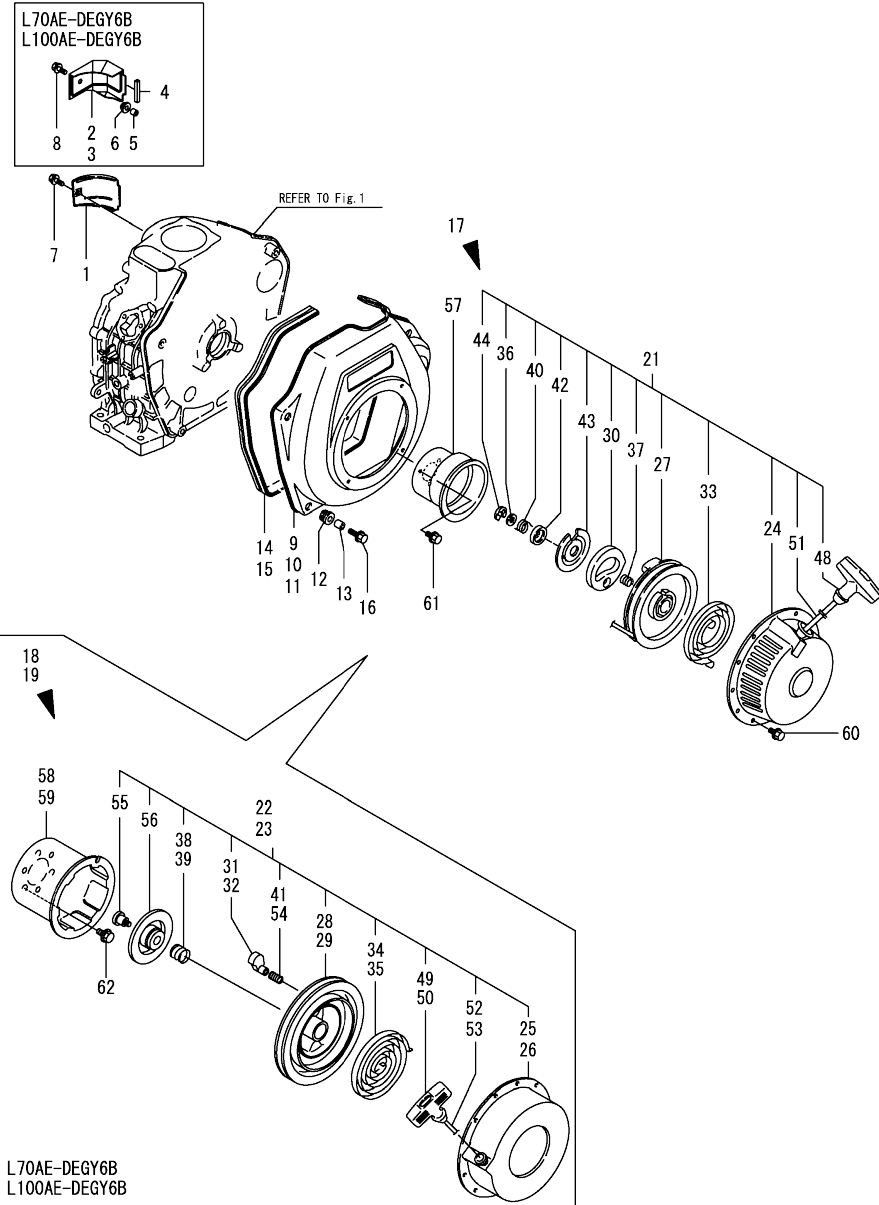
(A)=L48AE-DGY6B
 (B)=L70AE-DEGY6B
 (C)=L100AEDEGY6B

(D)=
 (E)=
 (F)=



No.	Lev.	Parts No.	Description	Q'ty						I	R
				(A)	(B)	(C)	(D)	(E)	(F)		
1	1	114250-32010	PUMP ASSY, OIL	1	1						
2	1	114650-32010	PUMP ASSY, OIL				1				
10	1	114250-32070	COVER	1	1	1					
11	1	103338-32570	O-RING	1	1	1					
12	1	22312-030160	PIN, PARALLEL M3X16	1	1	1					
13	1	26476-060142	SCREW, TAPPING M6X14	3	3	3					
14	1	114250-35110	FILTER ASSY, OIL	1	1	1					
16	2	24341-000224	O-RING, 1AS22.4	1	1	1					
17	1	26106-060162	BOLT, M6X 16 PLATED	1	1	1					
19	1	714250-61501	LEVER ASSY, GOVERNOR	1							
24	2	22322-030200	PIN, TAPER 3X20	1							
25	2	22322-030200	PIN, TAPER 3X20	1							
26	1	714350-61501	LEVER ASSY, GOVERNOR		1						
27	1	714650-61501	LEVER ASSY, GOVERNOR			1					
34	2	22322-030200	PIN, TAPER 3X20		1	1					
35	2	22322-030200	PIN, TAPER 3X20		1	1					
37	1	714770-61700	GOVERNOR ASSY	1	1						
38	1	714685-61700	GOVERNOR ASSY			1					
46	1	114770-61520	BEARING, NEEDLE	2	2	2					
47	1	114770-61600	SEAL, OIL	1	1	1					
48	1	114770-61610	WASHER, THRUST	1	1	1					
49	1	183250-66511	BRACKET ASSY, HANDLE	1	1	1					
50	2	183250-66301	HANDLE	1	1	1					
51	2	183250-66321	LEVER, LOCK	1	1	1					
52	2	183250-66331	SPRING	1	1	1					
53	2	183250-66341	NUT, LOCK	1	1	1					
54	2	183250-66351	BRACKET	1	1	1					
55	2	183250-66361	COLLAR	1	1	1					
56	2	183250-66371	COLLAR	1	1	1					
57	2	26106-060162	BOLT, M6X 16 PLATED	1	1	1					
58	1	26106-060202	BOLT, M6X 20 PLATED	1	1	1					
59	1	26476-060142	SCREW, TAPPING M6X14	1	1	1					
60	1	114770-66010	SPRING, REGULATOR	1							
61	1	114870-66010	SPRING, REGULATOR		1						
62	1	114970-66010	SPRING, REGULATOR			1					
63	1	114250-66200	SPRING, RETURN	1	1	1					
64	1	114250-66550	LIMITER ASSY, FUEL	1							
65	1	114250-66550	LIMITER ASSY, FUEL		1						
66	1	114650-66500	LIMITER ASSY, FUEL			1					
73	1	26776-100002	NUT, LOCK M10	1							
74	1	26776-100002	NUT, LOCK M10		1	1					
75	1	114770-61190	WASHER	1	1	1					

Fig.7. COOLING & STARTING DEVICE

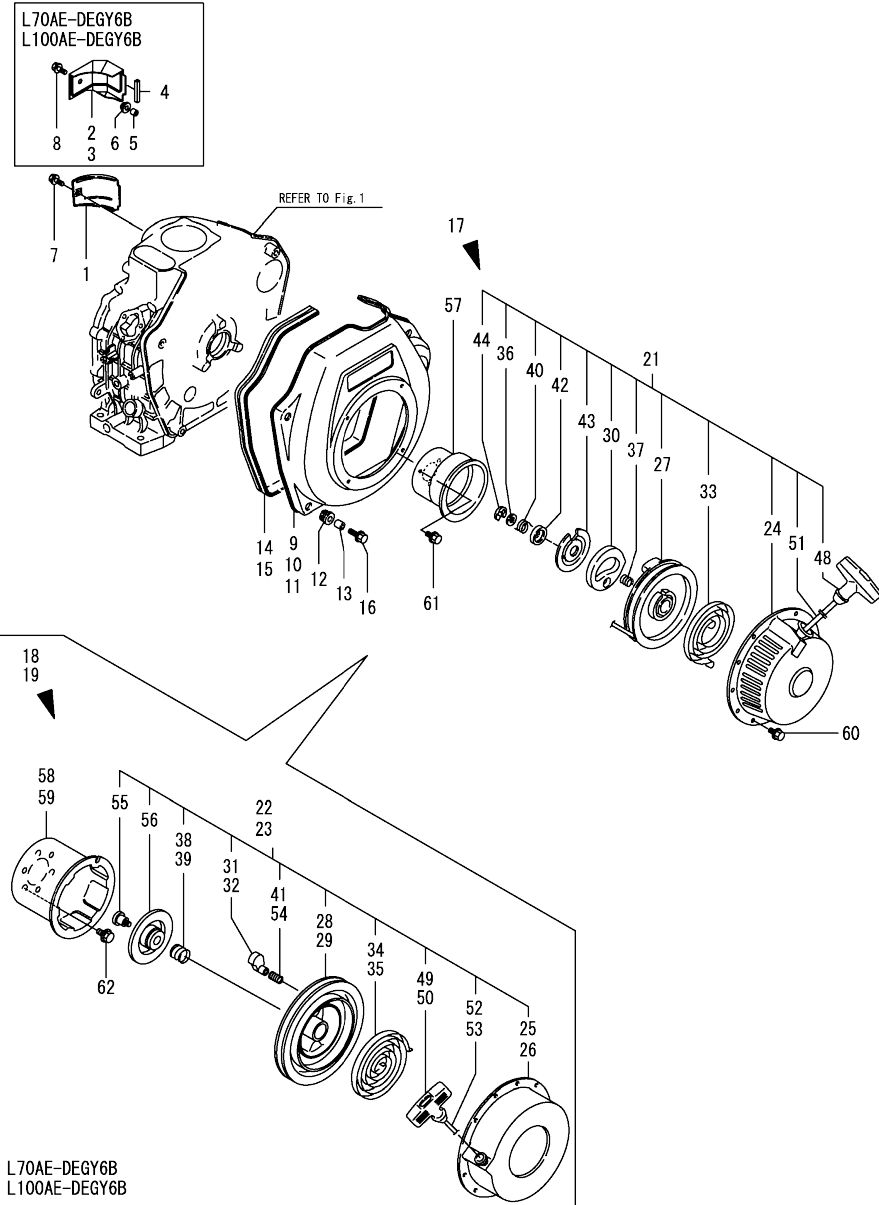


No.	Lev.	Parts No.	Description	Q'ty						I	R
				(A)	(B)	(C)	(D)	(E)	(F)		
1	1	114299-45210	COVER	1							
2	1	114870-45201	COVER		1						
3	1	114650-45201	COVER			1					
4	1	114350-45320	RUBBER, SEAL		1	1					
5	1	114350-45340	COLLAR		1	1					
6	1	183720-55210	GROMMET		1	1					
7	1	26106-060122	BOLT, M6X 12 PLATED	1							
8	1	26106-060202	BOLT, M6X 20 PLATED		1	1					
9	1	114780-45101-R	CASE, COOLING FAN	1							
10	1	114360-45101-R	CASE, COOLING FAN		1						
11	1	114668-45102-R	CASE, COOLING FAN				1				
12	1	114250-45301	ABSORBER	4	4	4					
13	1	114250-45310	COLLAR	4	4	4					
14	1	114250-45330	SEAL, FAN CASE L=875	1	1						
15	1	114650-45330	SEAL, FAN CASE L=950				1				
16	1	114370-45351	BOLT	4	4	4					
17	1	114260-76051	STARTER ASSY, RECOIL	1							1
18	1	114880-76051	STARTER ASSY, RECOIL		1						2
19	1	114660-76052	STARTER ASSY, RECOIL			1					3
21	1	114260-76251	STARTER ASSY, RECOIL	1							
22	1	114880-76251	STARTER ASSY, RECOIL		1						
23	1	114660-76251	STARTER ASSY, RECOIL				1				
24	2	114260-76520	CASE, STARTER	1							
25	2	114880-76511	CASE, STARTER		1						
26	2	114660-76531	CASE, STARTER				1				
27	2	160260-76520	REEL	1							
28	2	114880-76520	REEL		1						
29	2	114880-76520	REEL				1				
30	2	160260-76530	RATCHET	1							
31	2	114870-76530	RATCHET		2						
32	2	114870-76530	RATCHET				2				
33	2	160260-76540	SPRING, SPIRAL	1							
34	2	114870-76540	SPRING, SPIRAL		1						
35	2	114870-76540	SPRING, SPIRAL				1				
36	2	160260-76550	WASHER, THRUST	1							
37	2	160260-76560	SPRING, FRICTION	1							
38	2	114870-76560	SPRING, FRICTION		1						
39	2	114870-76560	SPRING, FRICTION				1				
40	2	160290-76570	SPRING, RETURN	1							
41	2	114870-76570	SPRING, RETURN				2				
42	2	160260-76580	COVER	1							
43	2	160260-76590	PLATE, FRICTION	1							
44	2	160260-76600	CIRCLIP	1							
48	2	114250-76620	KNOB, STARTER	1							
49	2	114870-76620	KNOB, STARTER		1						
50	2	114870-76620	KNOB, STARTER				1				
51	2	160260-76630	ROPE, STARTER	1							
52	2	114870-76630	ROPE, STARTER		1						
53	2	114650-76631	ROPE, STARTER				1				
54	2	114870-76570	SPRING, RETURN		2						
55	2	114870-76580	SCREW	1	1						

Remarks

- (1) INC.REF.NO.20-1 & 64.
- (2) INC.REF.NO.21-1 & 65-1.
- (3) INC.REF.NO.22-2 & 66-2.

Fig.7. COOLING & STARTING DEVICE



(A)=L48AE-DGY6B
 (B)=L70AE-DEGY6B
 (C)=L100AEDEGY6B

(D)=
 (E)=
 (F)=

No.	Lev.	Parts No.	Description	Q'ty						I	R
				(A)	(B)	(C)	(D)	(E)	(F)		
56	2	114880-76550	GUIDE, RATCHET		1	1					
57	1	114250-76590	PULLEY, STARTER	1							
58	1	114350-76591	PULLEY, STARTER		1						
59	1	114660-76592	PULLEY, STARTER				1				
60	1	26106-060082	BOLT, M6X 8 PLATED	4	4	4					
61	1	26106-060122	BOLT, M6X 12 PLATED	3	3	4					
62	1	26106-060122	BOLT, M6X 12 PLATED			3					

Remarks

- (1) INC.REF.NO.20-1 & 64.
- (2) INC.REF.NO.21-1 & 65-1.
- (3) INC.REF.NO.22-2 & 66-2.

Fig.8. FUEL INJECTION PUMP & VALVE

(A)=L48AE-DGY6B
 (B)=L70AE-DEGY6B
 (C)=L100AEDEGY6B

(D)=
 (E)=
 (F)=

No.	Lev.	Parts No.	Description	Q'ty						I	R
				(A)	(B)	(C)	(D)	(E)	(F)		
1	1	783786-51100	PUMP ASSY, INJECTION	1							
2	1	783886-51100	PUMP ASSY, INJECTION		1						
3	1	783986-51100	PUMP ASSY, INJECTION			1					
4	2	105546-51020	GASKET	1	1	1					
5	2	114250-51080	PLATE	1	1	1					
6	2	183250-51200	BODY ASSY, PUMP	1							
7	2	183350-51200	BODY ASSY, PUMP		1						
8	2	183986-51100	BODY ASSY, PUMP			1					
18	2	114250-51160	SPRING, PLUNGER	1	1	1					
19	2	114250-51300	VALVE ASSY, DELIVERY	1	1						
20	2	114650-51300	VALVE ASSY, DELIVERY					1			
24	2	105546-51330	SPRING, DELIVERY	1	1	1					
25	2	114250-51340	HOLDER, DELIVERY	1	1	1					
26	2	124550-51350	GASKET, DELIVERY	2	2	2					
27	2	114250-51600	LEVER ASSY, CONTROL	1	1	1					
28	2	114250-51640	SEAT, SPRING A	1	1	1					
29	2	114250-51650	SEAT, SPRING B	1	1	1					
30	2	22351-020006	PIN, SPRING 2.0X 6	2	2	2					
31	2	22351-030008	PIN, SPRING 3.0X 8	1	1	1					
32	1	714250-53101	VALVE ASSY,INJECTION	1							
33	1	714870-53200	VALVE ASSY,INJECTION		1						
34	1	714650-53100	VALVE ASSY,INJECTION			1					
35	2	114250-53001	VALVE ASSY,INJECTION	1							
36	2	114870-53100	VALVE ASSY,INJECTION		1						
37	2	114650-53000	VALVE ASSY,INJECTION					1			
43	2	114250-53080	NUT, NOZZLE D16.95	1	1	1					
44	2	114250-53120	SPRING, NOZZLE	1	1	1					
45	2	114250-53130	SEAT, SPRING	1	1	1					
46	2	114250-53140	PLATE	1	1	1					
47	2	114250-53210	PIN	2	2	2					
48	2	114250-53300	HOLDER ASSY, NOZZLE	1	1						
49	2	114650-53300	HOLDER ASSY, NOZZLE			1					
53	3	114250-53331	PIN	1	1	1					
54	2	114250-53400	SHIM SET	1	1	1					
66	1	183250-59800	PIPE ASSY, INJECTION	1							
67	1	183350-59800	PIPE ASSY, INJECTION		1						
68	1	183650-59801	PIPE ASSY, INJECTION			1					

A FUEL TANK IS CUSTOMER ARRANGEMENTS.

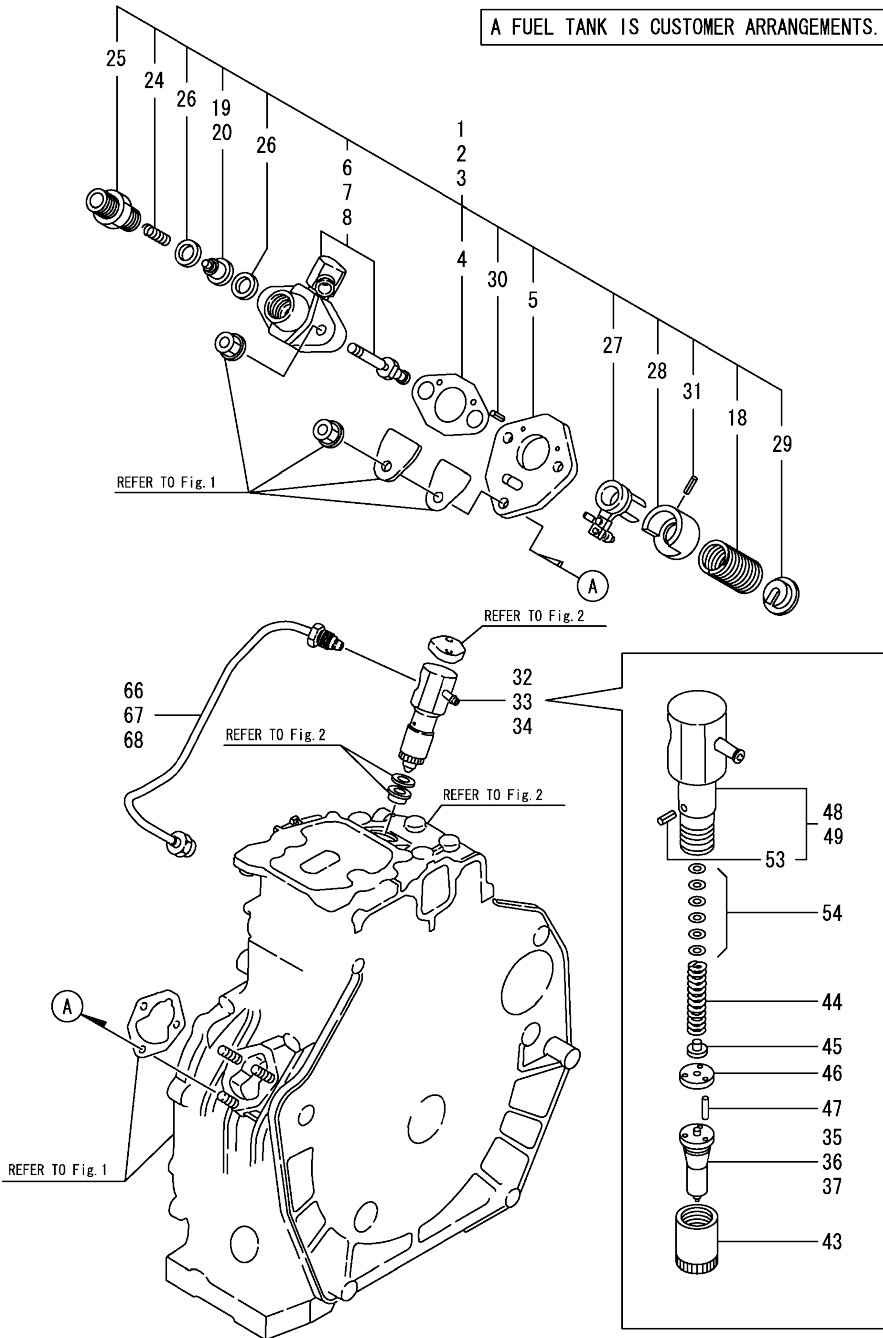
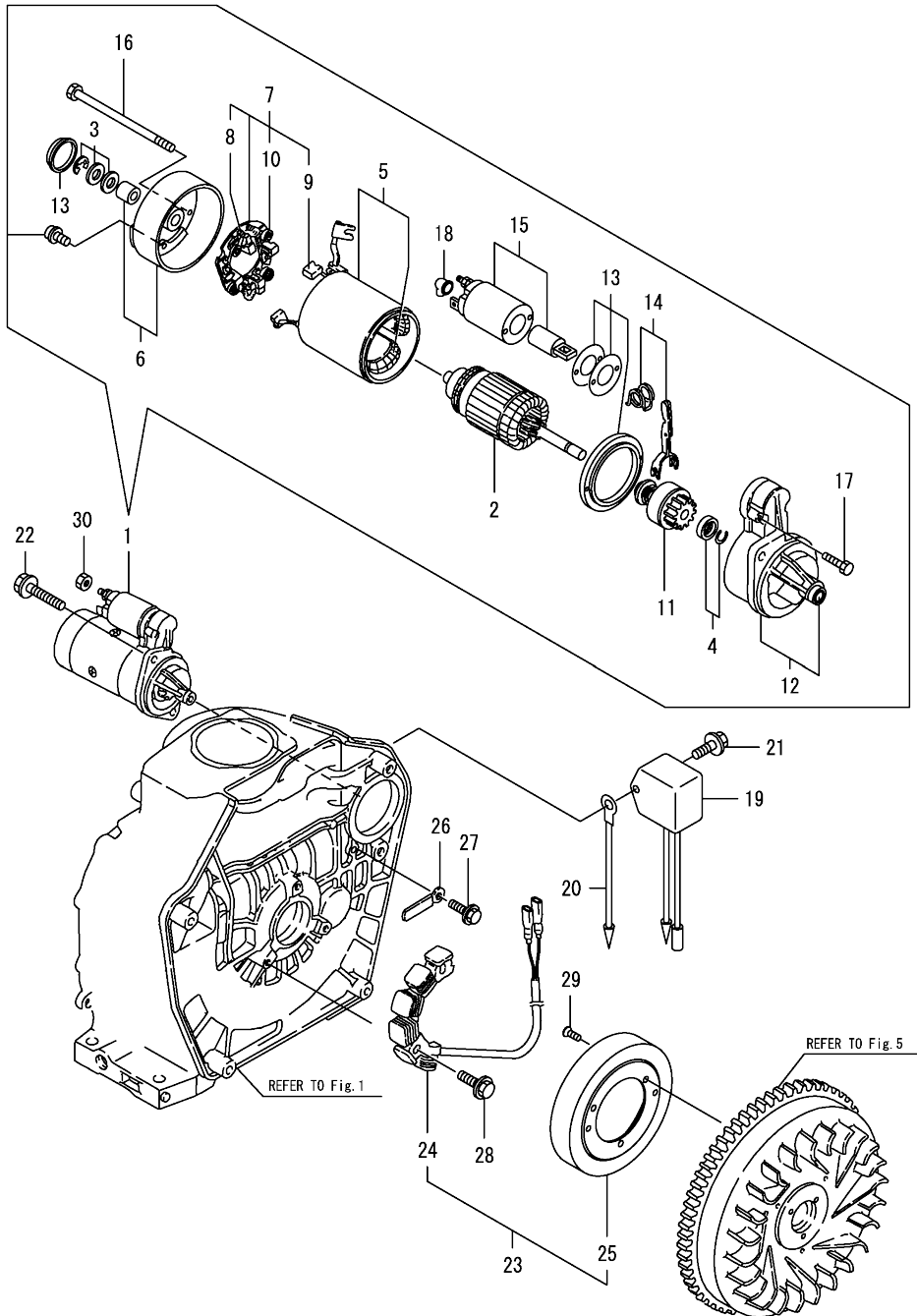


Fig.9. STARTING MOTOR & DYNAMO



(A)=L48AE-DGY6B
 (B)=L70AE-DEGY6B
 (C)=L100AEDEGY6B

(D)=
 (E)=
 (F)=

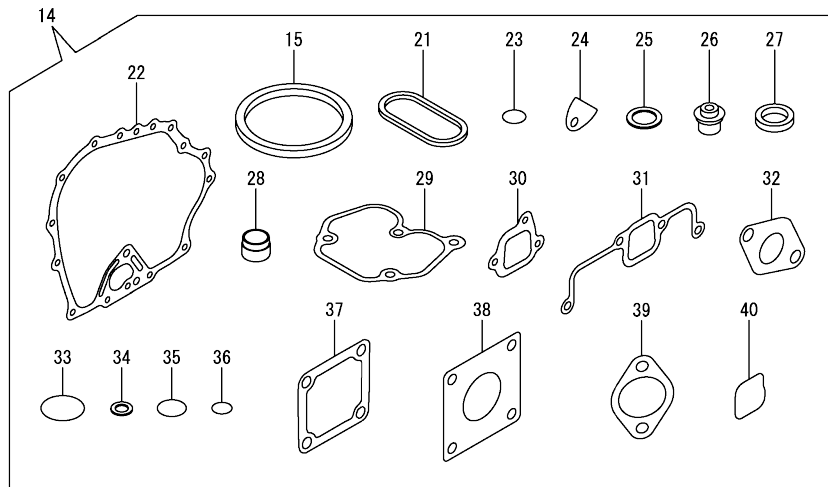
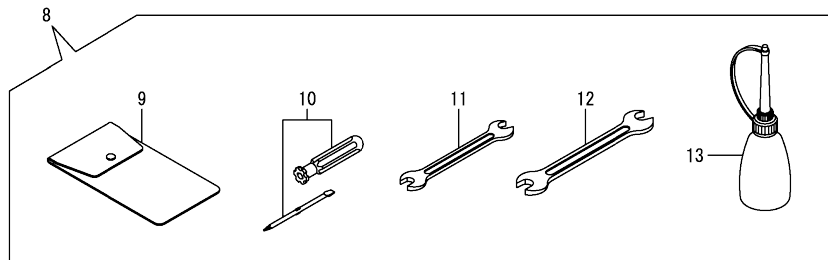
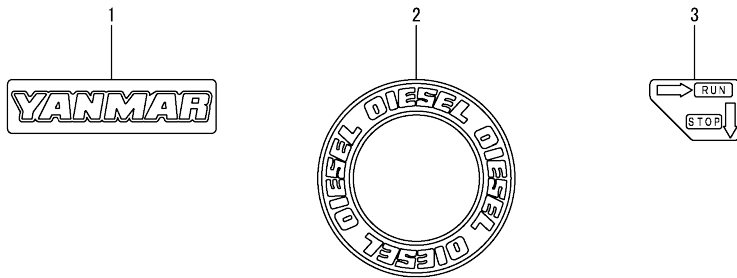
No.	Lev.	Parts No.	Description	Q'ty						I	R
				(A)	(B)	(C)	(D)	(E)	(F)		
1	1	114362-77011	STARTER(HITACHI 12V		1	1					
2	2	114381-77110	ARMATURE		1	1					
3	2	X2114811000	WASHER KIT, THRUST		1	1					
4	2	X2114715500	STOPPER SET, PINION		1	1					
5	2	114381-77130	COIL ASSY, FIELD		1	1					
6	2	114381-77140	COVER, REAR		1	1					
7	2	114371-77160	HOLDER ASSY, BRUSH		1	1					
8	3	114371-79040	BRUSH (-)		2	2					
9	3	114371-79050	BRUSH (+)		1	1					
10	3	114371-79060	SPRING, BRUSH		4	4					
11	2	X211485016	PINION ASSY		1	1					
12	2	114381-77151	HOUSING ASSY, GEAR		1	1					
13	2	114371-77170	COVER KIT, DUST		1	1					
14	2	114371-77180	LEVER KIT, SHIFT		1	1					
15	2	X2114275010	SWITCH ASSY, MAGNET		1	1					
16	2	124195-77770	THROUGH BOLT		2	2					
17	2	114371-79070	BOLT M 6X 37		2	2					
18	2	X2114274200	COVER, TERMINAL		1	1					
19	1	160970-77350	RECTIFIER, ZR2117		1	1					
20	1	183350-77400	WIRE, LEAD		1	1					
21	1	26106-060122	BOLT, M6X 12 PLATED		1	1					
22	1	26106-100302	BOLT, M10X 30 PLATED		2	2					
23	1	114351-78251	DYNAMO ASSY		1	1					
24	2	114351-78751	STATOR ASSY		1	1					
25	2	114351-78761	WHEEL, DYNAMO		1	1					
26	1	160710-78710	CLAMP, CORD		1	1					
27	1	26106-060122	BOLT, M6X 12 PLATED		1	1					
28	1	26106-060202	BOLT, M6X 20 PLATED		3	3					
29	1	26577-060142	SCREW M 6X 14		3	3					
30	1	26716-080002	NUT, M8		1	1					

Fig.10. TOOL,LABEL & GASKET SET

(A)=L48AE-DGY6B
 (B)=L70AE-DEGY6B
 (C)=L100AEDEGY6B

(D)=
 (E)=
 (F)=

No.	Lev.	Parts No.	Description	Q'ty						I	R
				(A)	(B)	(C)	(D)	(E)	(F)		
1	1	114250-07111	LABEL, YANMAR	1	1	1					
2	1	114261-07350	LABEL, DIESEL	1	1	1					
3	1	183250-07480	LABEL, RUN-STOP	1	1	1					
8	1	714250-92100	BOX ASSY, TOOL		1	1					
9	2	114250-92600	BAG, TOOL		1	1					
10	2	160330-92730	DRIVE, SCREW		1	1					
11	2	28110-100120	SPANNER, 10X12		1	1					
12	2	28110-140170	SPANNER, 14X17		1	1					
13	2	28210-000150	OILER		1	1					
14	1	114139-92600	GASKET SET	1	1	1					1
15	2	114771-01330	GASKET SET, HEAD	1	1	1					
21	2	114250-01380	O-RING	1	1	1					
22	2	114250-01412	GASKET, CRANK CASE	1	1	1					
23	2	114299-01950	O-RING, 18	2	2	2					
24	2	114250-01841	GASKET	1	1	1					
25	2	22190-160002	WASHER, SEAL 16	2	2	2					
26	2	114250-11340	SEAL, VALVE STEM	2	2	2					
27	2	114339-11551	SEAT, NOZZLE	1	1	1					
28	2	114339-11451	PROTECTOR, NOZZLE	1	1	1					
29	2	114771-11310	GASKET, BONNET	1	1	1					
30	2	114299-12210	GASKET, AIR CLEANER	2	2	2					
31	2	114771-12200	GASKET	1	1	1					
32	2	114250-13201	GASKET, MUFFLER	1	1	1					
33	2	103338-32570	O-RING	1	1	1					
34	2	23414-080000	GASKET, 8X1.0	1	1	1					
35	2	24341-000224	O-RING, 1AS22.4	1	1	1					
36	2	24341-000150	O-RING, 1AS15.0	1	1	1					
37	2	129100-77510	GASKET, AIR HEATER	3	3	3					
38	2	114299-21980	GASKET	1	1	1					
39	2	114299-12920	GASKET, AIR CLEANER	1	1	1					
40	2	114288-12210	O-RING	1	1	1					



Remarks
 (1) OPTIONAL PART.

Parts No. Index

Parts No.	Fig. No.	Ref. No.
101158-11180	2	38
103338-32570	6	11
	10	33
103854-01221	5	39
104211-11370	2	74
		77
105010-11490	2	73
		76
105025-01220	1	26
105225-01240	1	31
105300-23200	5	100
105425-01690	1	73
105546-51020	8	4
105546-51330	8	24
114139-92600	10	14
114250-01200	1	18
114250-01210	1	21
114250-01221	1	24
114250-01251	1	27
114250-01380	1	36
	10	21
114250-01412	1	54
	10	22
114250-01800	1	39
114250-01830	1	48
114250-01841	1	49
	10	24
114250-02100	1	66
114250-02113	1	84
114250-02200	1	100
114250-02210	1	103
114250-03640	2	90
114250-07111	10	1
114250-11101	2	28
114250-11113	2	31
114250-11120	2	34
114250-11180	2	37
114250-11240	2	61
		70
114250-11290	2	46
114250-11311	2	84
114250-11340	2	50
	10	26
114250-11460	2	53
114250-11600	2	55
114250-11651	2	57
114250-11901	2	78
114250-12201	3	25
114250-12211	3	1
114250-12300	3	21

Parts No.	Fig. No.	Ref. No.
114250-12520	3	9
114250-12530	3	11
114250-12550	3	19
114250-12560	3	13
114250-12581	3	15
114250-13201	4	10
	10	32
114250-14200	5	15
114250-14451	5	18
114250-21550	5	41
114250-32010	6	1
114250-32070	6	10
114250-35110	6	14
114250-35150	1	70
114250-45301	7	12
114250-45310	7	13
114250-45330	7	14
114250-51080	8	5
114250-51160	8	18
114250-51300	8	19
114250-51340	8	25
114250-51600	8	27
114250-51640	8	28
114250-51650	8	29
114250-53001	8	35
114250-53080	8	43
114250-53120	8	44
114250-53130	8	45
114250-53140	8	46
114250-53210	8	47
114250-53300	8	48
114250-53331	8	53
114250-53400	8	54
114250-66200	6	63
114250-66550	6	64
		65
114250-76590	7	57
114250-76620	7	48
114250-92600	10	9
114252-12550	3	20
114252-12560	3	14
114252-13950	4	8
114260-76051	7	17
114260-76251	7	21
114260-76520	7	24
114261-07350	10	2
114262-21600	5	52
114270-01600	1	50
114288-12210	10	40
114299-01760	1	74

Parts No.	Fig. No.	Ref. No.
114299-01950	1	78
	10	23
114299-02030	1	83
114299-12010	3	22
114299-12210	10	30
114299-12920	10	39
114299-21420	5	43
114299-21980	10	38
114299-22300	5	81
114299-45210	7	1
114339-11451	10	28
114339-11551	10	27
114350-01200	1	19
114350-01210	1	22
114350-01220	1	25
114350-01250	1	28
114350-01380	1	37
114350-01412	1	55
114350-01700	1	16
114350-02100	1	67
114350-02113	1	85
114350-02200	1	101
114350-02210	1	104
114350-11101	2	29
114350-11113	2	32
114350-11120	2	35
114350-11340	2	51
114350-11470	2	54
114350-12202	3	26
114350-14451	5	19
114350-45320	7	4
114350-45340	7	5
114350-76591	7	58
114351-78251	9	23
114351-78751	9	24
114351-78761	9	25
114360-45101-R	7	10
114362-77011	9	1
114370-45351	7	16
114371-77160	9	7
114371-77170	9	13
114371-77180	9	14
114371-79040	9	8
114371-79050	9	9
114371-79060	9	10
114371-79070	9	17
114380-23100	5	106
114381-77110	9	2
114381-77130	9	5
114381-77140	9	6

Parts No.	Fig. No.	Ref. No.
114381-77151	9	12
114399-12010	3	23
114399-21590	5	44
114399-21600	5	53
114399-22300	5	82
114650-01230	1	20
114650-01240	1	23
114650-01250	1	29
114650-01260	1	32
114650-01380	1	38
114650-01412	1	56
114650-02100	1	68
114650-02150	1	86
114650-02200	1	102
114650-02210	1	105
114650-07450	3	8
114650-11011	2	15
114650-11100	2	30
114650-11121	2	36
114650-11261	2	47
114650-11311	2	85
114650-11340	2	52
114650-11600	2	56
114650-11652	2	58
114650-12211	3	2
114650-12301	3	27
114650-12520	3	10
114650-12531	3	12
114650-12551	3	18
114650-12591	3	16
114650-13201	4	11
114650-14200	5	16
114650-14402	5	20
114650-21551	5	42
114650-32010	6	2
114650-45201	7	3
114650-45330	7	15
114650-51300	8	20
114650-53000	8	37
114650-53300	8	49
114650-66500	6	66
114650-76631	7	53
114654-11110	2	33
114660-01471	1	59
114660-76052	7	19
114660-76251	7	23
114660-76531	7	26
114660-76592	7	59
114662-21601	5	54
114668-45102-R	7	11

Parts No. Index

Parts No.	Fig. No.	Ref. No.
114699-01760	1	75
114699-12020	3	24
114699-21590	5	45
114699-22300	5	83
114770-01340	1	33
114770-07450	3	7
114770-11020	2	13
114770-23100	5	105
114770-61190	6	75
114770-61520	6	46
114770-61600	6	47
114770-61610	6	48
114770-66010	6	60
114771-01330	10	15
114771-11310	10	29
114771-12200	10	31
114771-14260	5	17
114780-45101-R	7	9
114870-01340	1	34
114870-11021	2	14
114870-45201	7	2
114870-53100	8	36
114870-66010	6	61
114870-76530	7	31
		32
114870-76540	7	34
		35
114870-76560	7	38
		39
114870-76570	7	41
		54
114870-76580	7	55
114870-76620	7	49
		50
114870-76630	7	52
114880-76051	7	18
114880-76251	7	22
114880-76511	7	25
114880-76520	7	28
		29
114880-76550	7	56
114970-01340	1	35
114970-66010	6	62
118200-23200	5	98
119260-11370	2	72
		75
119265-23200	5	99
119620-11180	2	39
122710-01220	5	40
124060-23100	5	104

Parts No.	Fig. No.	Ref. No.
124195-77770	9	16
124550-51350	8	26
124950-01250	1	30
129100-61850	2	99
129100-77510	10	37
129792-22400	5	86
160110-01870	1	79
160110-02220	1	87
		90
160210-02220	1	89
160260-76520	7	27
160260-76530	7	30
160260-76540	7	33
160260-76550	7	36
160260-76560	7	37
160260-76580	7	42
160260-76590	7	43
160260-76600	7	44
160260-76630	7	51
160290-76570	7	40
160330-92730	10	10
160670-66350	2	7
160710-78710	9	26
160970-77350	9	19
171022-39470	1	97
183250-01451	1	57
183250-03410	2	1
183250-03450	2	2
183250-03510	2	3
183250-03550	2	6
183250-03601	2	89
183250-07480	10	3
183250-11960	2	86
183250-21350	5	37
183250-39450	1	95
183250-51200	8	6
183250-59800	8	66
183250-66301	6	50
183250-66321	6	51
183250-66331	6	52
183250-66341	6	53
183250-66351	6	54
183250-66361	6	55
183250-66371	6	56
183250-66511	6	49
183279-08350	1	80
183284-13050	4	1
183284-13500	4	4
183284-13550	4	6
183350-01451	1	58

Parts No.	Fig. No.	Ref. No.
183350-03510	2	4
183350-21350	5	38
183350-51200	8	7
183350-59800	8	67
183350-77400	9	20
183366-08290	1	94
183366-39460	1	96
183650-03510	2	5
183650-11951	2	87
183650-13501	4	3
183650-13511	4	5
183650-13700	4	7
183650-59801	8	68
183720-55210	7	6
183854-13510	4	2
183986-51100	8	8
22117-100000	1	98
22190-160002	1	81
		82
	10	25
22252-000190	5	84
22252-000210	5	85
22312-030160	2	93
	6	12
22322-030200	6	24
		25
		34
		35
22351-020006	8	30
22351-030008	8	31
22351-040008	2	79
22512-040120	5	55
22512-050140	5	56
23414-080000	10	34
24101-062034	5	118
24101-063034	5	167
24162-152112	1	92
24341-000150	10	36
24341-000224	6	16
	10	35
24423-355008	1	88
		91
26106-060082	4	9
	7	60
26106-060122	2	9
	7	7
		61
		62
	9	21
		27

Parts No.	Fig. No.	Ref. No.
26106-060162	4	13
	6	17
		57
26106-060202	2	8
	6	58
	7	8
	9	28
26106-060252	1	71
	3	28
26106-060552	2	97
26106-060702	2	98
26106-080122	1	93
26106-080162	4	12
26106-080182	4	14
26106-080352	1	72
26106-080452	2	80
26106-100122	1	17
26106-100302	9	22
26106-100552	2	81
26216-080182	4	15
		16
26226-060142	3	29
26226-060182	1	51
26226-060222	1	52
26226-060502	2	82
26226-060552	3	30
26226-060752	3	31
26306-080002	4	17
26366-060002	1	53
	2	10
		83
26476-060142	2	11
	6	13
		59
26557-040082	1	99
26577-060142	9	29
26716-080002	9	30
26756-060002	2	12
26776-100002	6	73
		74
26856-060002	2	62
		71
27310-055001	2	40
27310-060001	2	41
27310-070001	2	42
28110-100120	10	11
28110-140170	10	12
28210-000150	10	13
41868-170000	2	96
714250-12560	3	3

Parts No. Index

Parts No.	Fig. No.	Ref. No.
714250-53101	8	32
714250-61501	6	19
714250-92100	10	8
714270-11660	2	63
714350-61501	6	26
714370-11660	2	64
714380-23600	5	108
714380-23610	5	156
714380-23620	5	162
71438G-23700	5	88
714650-12561	3	4
714650-23600	5	109
714650-23610	5	157
714650-23620	5	163
714650-53100	8	34
714650-61501	6	27
71465G-23700	5	89
714670-11660	2	65
714685-61700	6	38
714689-14580	5	3
714770-22540	5	125
714770-22550	5	143
714770-23600	5	107
714770-23610	5	155
714770-23620	5	161
714770-61700	6	37
714771-01561	1	1
71477G-23700	5	87
714780-14580	5	1
714780-22582	5	137
714780-22622	5	119
714780-22722	5	57
714787-22100	5	63
714870-22502	5	64
714870-22542	5	126
714870-22552	5	144
714870-53200	8	33
714880-14580	5	2
714880-22582	5	138
714880-22622	5	120
714880-22722	5	58
714888-01560	1	2
714970-01562	1	3
714970-22500	5	65
714970-22540	5	127
714970-22550	5	145
714970-28511	5	113
714980-22581	5	139
714980-22621	5	121
714980-22721	5	59

Parts No.	Fig. No.	Ref. No.
783292-21700	5	21
783692-21700	5	23
783786-51100	8	1
783886-21700	5	22
783886-51100	8	2
783986-51100	8	3
X2114274200	9	18
X2114275010	9	15
X2114715500	9	4
X2114811000	9	3
X211485016	9	11

Parts No.	Fig. No.	Ref. No.
-----------	----------	----------

Parts No.	Fig. No.	Ref. No.
-----------	----------	----------