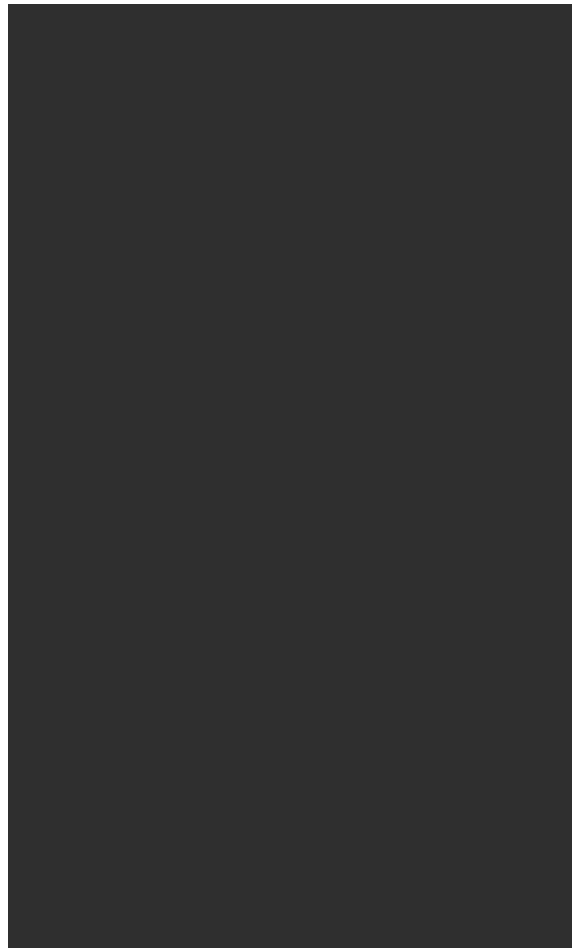


OCC50-M00530EN



P R E F A C E

This parts catalog is the 1st edition of L100AE-DEG22YC.

Published : September, 2015

Contents

OCC50-M00530

Fig. No. Fig. Name

Fig. No. Fig. Name

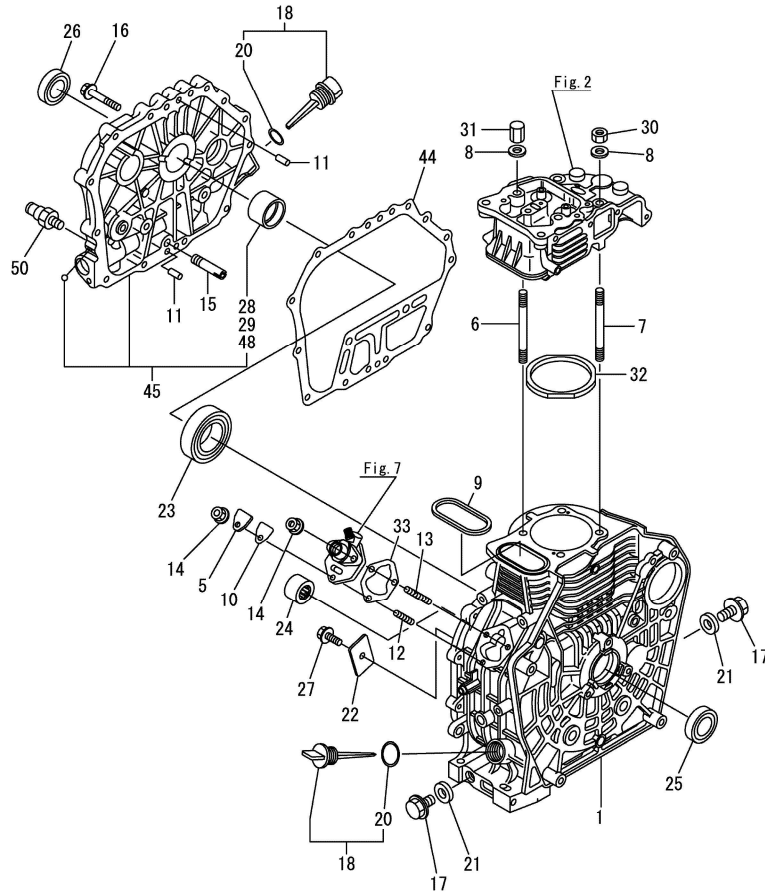
ENGINE

1. CYLINDER BLOCK
2. CYLINDER HEAD & BONNET
3. AIR CLEANER
4. CRANKSHAFT, PISTON & CAMSHAFT
5. LUB. OIL PUMP & GOVERNOR
6. COOLING & STARTING DEVICE
7. FUEL INJECTION PUMP
8. FUEL INJECTION VALVE
9. STARTER MOTOR & DYNAMO
10. TOOL, LABEL & GASKET SET

Fig.1. CYLINDER BLOCK

(A)=L100AE-DEG22YC
(B)=
(C)=

(D)=
(E)=
(F)=



No.	Lev.	Parts No.	Description	Q'ty						I	R
				(A)	(B)	(C)	(D)	(E)	(F)		
1	1	114699-01050	BLOCK ASSY, CYLINDER	1							
5	1	114299-01830	COVER	1							
6	1	114699-01200	BOLT, HEAD	2							
7	1	114699-01210	BOLT, HEAD	2							
8	1	114699-01250	WASHER	4							
9	1	114699-01380	O-RING	1							
10	1	114250-01841	GASKET	1							
11	1	114299-01600	PIN, 8X12	2							
12	1	26226-060182	STUD, M6X 18	1							
13	1	26226-060222	STUD, M6X 22	2							
14	1	26366-060002	NUT, M6	3							
15	1	114299-35150	PIPE, OIL INLET	1							
16	1	26106-080352	BOLT, M8X 35 PLATED	16							
17	1	114299-01690	PLUG M16	2							
18	1	114699-01760	CAP ASSY	2							
20	2	114299-01950	O-RING, 18	2							
21	1	22190-160002	WASHER, SEAL 16	2							
22	1	114299-02030	RETAINER, BEARING	1							
23	1	114650-02150	BEARING, HR6308G3C3	1							
24	1	24162-152112	BEARING, 152112	1							
25	1	24423-355008	SEAL, OIL TC355008	1							
26	1	24423-355008	SEAL, OIL TC355008	1							
27	1	26106-080122	BOLT, M8X 12 PLATED	1							
28	1	114650-02200	BEARING, MAIN 0.25	1							2
29	1	114650-02210	BEARING, MAIN 0.50	1							3
30	1	114699-01220	NUT, CYLINDER HEAD A	2							
31	1	114699-01230	NUT, CYLINDER HEAD B	2							
32	1	114699-01330	GASKET, HEAD	1							
33	1	114299-01800	SHIM SET	1							
44	1	114699-01410	GASKET, CRANK CASE	1							
45	1	114699-01450	COVER, CRANK CASE	1							
48	2	114650-02100	BEARING, MAIN	1							1
50	1	183250-39450	SWITCH, HYDRAULIC	1							

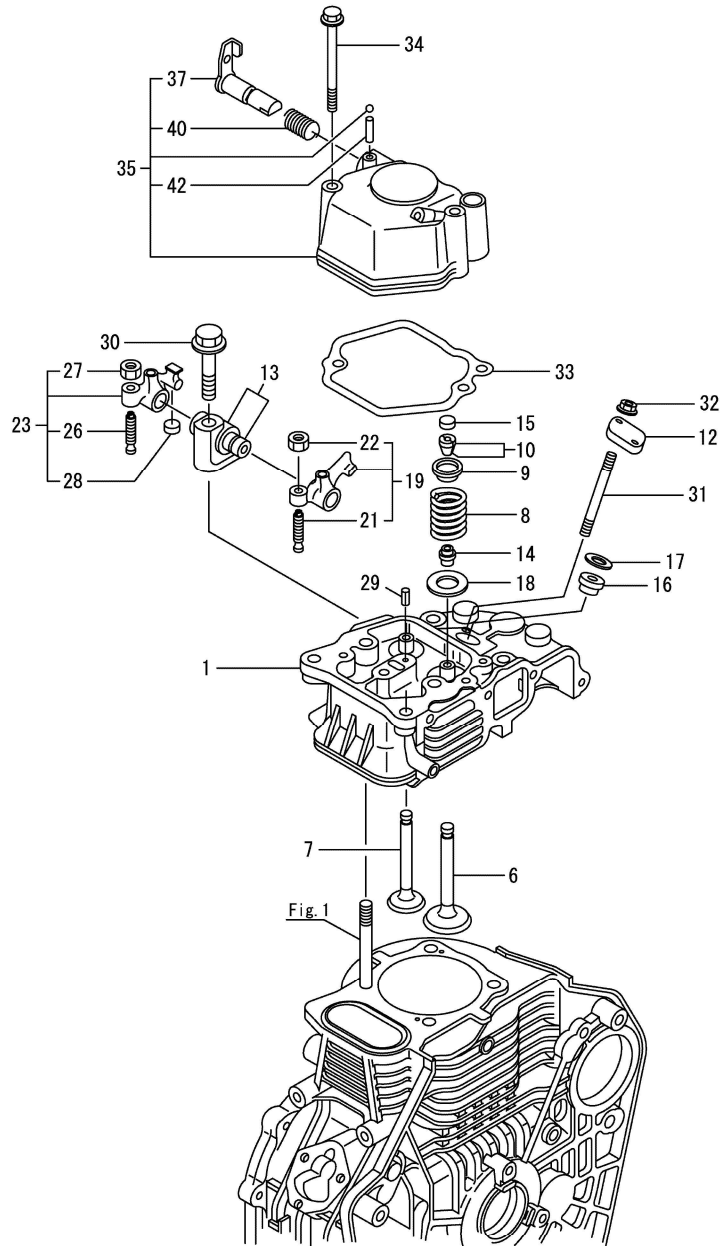
Remarks

- (1) Repair parts.
- (2) Under-sized(U.S.=0.25) parts.
- (3) Under-sized(U.S.=0.5) parts.

Fig.2. CYLINDER HEAD & BONNET

(A)=L100AE-DEG22YC
(B)=
(C)=

(D)=
(E)=
(F)=

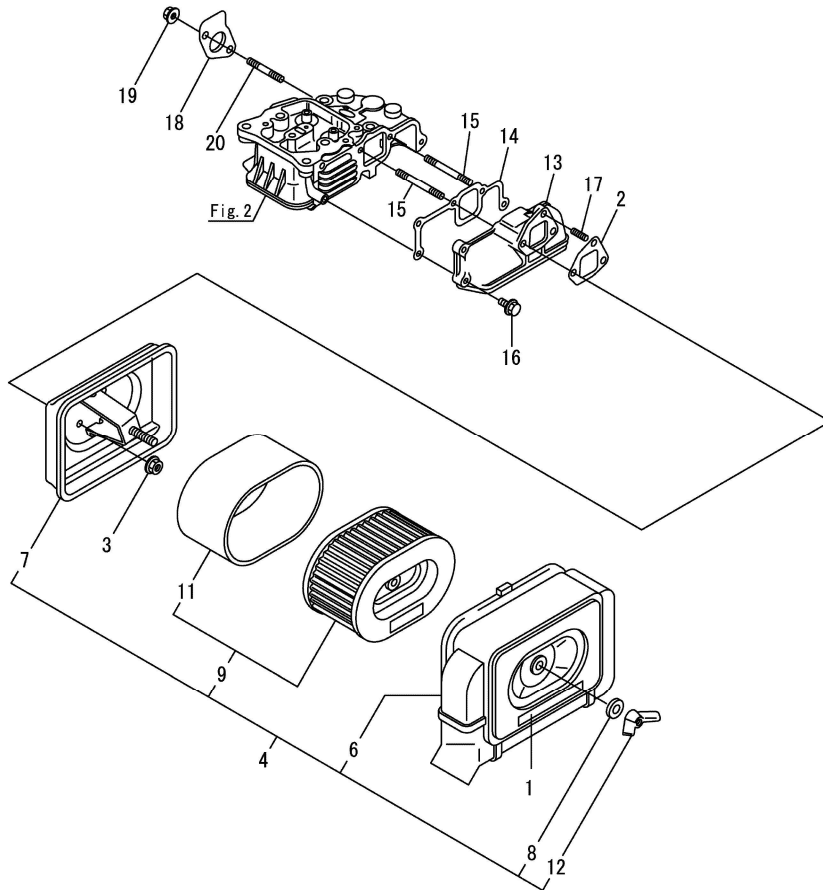


No.	Lev.	Parts No.	Description	Q'ty						I	R
				(A)	(B)	(C)	(D)	(E)	(F)		
1	1	114650-11011	HEAD ASSY, CYLINDER	1							
6	1	114699-11100	VALVE, INTAKE	1							
7	1	114699-11110	VALVE, EXHAUST	1							
8	1	114699-11120	SPRING, VALVE	2							
9	1	119620-11180	RETAINER, SPRING	2							
10	1	27310-070001	COTTER, 7	2							
12	1	114299-11901	RETAINER, NOZZLE	1							
13	1	114650-11261	SUPPORT, ROCKER ARM	1							
14	1	114650-11341	SEAL, VALVE STEM	2							
15	1	104211-11370	CAP, VALVE	1							
16	1	114250-11460	GASKET, NOZZLE	1							
17	1	114350-11470	SPACER, NOZZLE	1							
18	1	114699-11600	WASHER	2							
19	1	114650-11652	ARM ASSY, ROCKER	1							
21	2	114250-11240	SCREW, VALVE ADJUST	1							
22	2	26856-060002	NUT, M6	1							
23	1	714670-11660	ARM ASSY, ROCKER	1							
26	3	114250-11240	SCREW, VALVE ADJUST	1							
27	3	26856-060002	NUT, M6	1							
28	2	104211-11370	CAP, VALVE	1							
29	1	22351-040008	PIN, SPRING 4.0X 8	1							
30	1	26106-100552	BOLT, M10X 55 PLATED	1							
31	1	26226-060502	STUD, M6X 50	2							
32	1	26366-060002	NUT, M6	2							
33	1	114699-11320	GASKET, BONNET	1							
34	1	26106-060702	BOLT, M6X 70 PLATED	2							
35	1	114699-11950	BONNET ASSY, HEAD	1							
37	2	114250-03591	LEVER ASSY	1							
40	2	114299-03640	SPRING, DECOMPRESSION	1							
42	2	22312-030160	PIN, PARALLEL M3X16	1							

Fig.3. AIR CLEANER

(A)=L100AE-DEG22YC
(B)=
(C)=

(D)=
(E)=
(F)=

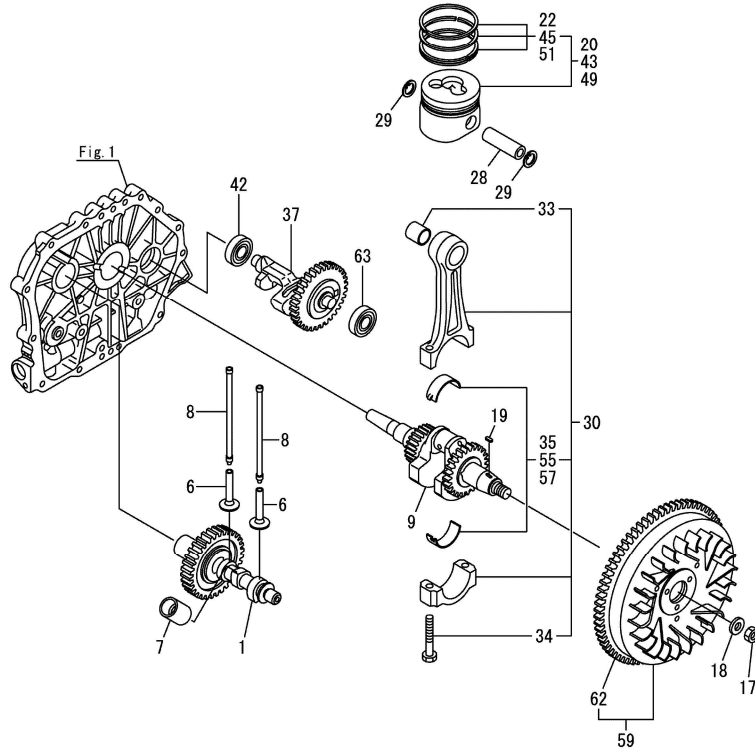


No.	Lev.	Parts No.	Description	Q'ty						I	R
				(A)	(B)	(C)	(D)	(E)	(F)		
1	1	114650-07450	LABEL, AIR CLEANER	1							
2	1	114699-12210	GASKET, AIR CLEANER	1							
3	1	114299-12300	NUT	3							
4	1	783671-12560	CLEANER ASSY, AIR	1							
6	2	183671-12520	COVER ASSY, CLEANER	1							
7	2	114980-12530	CASE ASSY, CLEANER	1							
8	2	114252-12560	WASHER, SEAL M8	1							
9	2	114650-12590	ELEMENT ASSY, AIR	1							
11	3	114650-12550	FILTER, PRE AIR	1							
12	2	114252-12550	NUT, WING M8	1							
13	1	114699-12020	PIPE, AIR INTAKE	1							
14	1	114699-12200	GASKET	1							
15	1	114310-45360	STUD BOLT, TOP COVER	2							
16	1	26106-060252	BOLT, M6X 25 PLATED	3							
17	1	26226-060142	STUD, M6X 14	1							
18	1	114699-13200	GASKET, MUFFLER	1							
19	1	26306-080002	NUT, M8	2							
20	1	26216-080182	STUD, M8X 18	2							

Fig.4. CRANKSHAFT, PISTON & CAMSHAFT

(A)=L100AE-DEG22YC
(B)=
(C)=

(D)=
(E)=
(F)=



No.	Lev.	Parts No.	Description	Q'ty						I	R
				(A)	(B)	(C)	(D)	(E)	(F)		
1	1	714699-14580	CAMSHAFT ASSY	1							
6	1	114699-14200	TAPPET	2							
7	1	114771-14260	TAPPET	1							
8	1	114650-14402	PUSH-ROD	2							
9	1	714689-21730	CRANKSHAFT ASSY	1							
17	1	114699-21220	NUT	1							
18	1	114699-21550	WASHER	1							
19	1	22512-050140	KEY, 5X 14	1							
20	1	714980-22721	PISTON ASSY, D	1							
22	2	714970-22500	RING SET, PISTON	1							
28	1	114699-22300	PIN, PISTON D=23	1							
29	1	114310-22500	SEEGER RING, J23	2							
30	1	71465G-23700	ROD ASSY, CONNECTING	1							
33	2	124060-23100	BEARING, PISTON PIN	1							
34	2	105300-23200	BOLT, CONNECTING ROD	2							
35	2	714650-23600	BEARING, CRANK PIN	1							
37	1	714970-28511	SHAFT ASSY, BALANCER	1							
42	1	114210-28050	BEARING, 6203 C0L	1							
43	1	714980-22621	PISTON ASSY, 0.25 OS	1							1
45	2	714970-22540	RING SET, 0.25 OS	1							1
49	1	714980-22581	PISTON ASSY, 0.50 OS	1							2
51	2	714970-22550	RING SET, 0.50 OS	1							2
55	1	714650-23610	BEARING ASSY, 0.25	1							3
57	1	714650-23620	BEARING, 0.50 US	1							4
59	1	114699-21600	FLYWHEEL ASSY, DE	1							
62	2	114699-21630	RING, GEAR	1							
63	1	24101-063030	BEARING, BALL 6303C3	1							

Remarks

- (1)Over-sized(O.S.=0.25) parts.
- (2)Over-sized(O.S.=0.5) parts.
- (3)Under-sized(U.S.=0.25) parts.
- (4)Under-sized(U.S.=0.5) parts.

Fig.5. LUB. OIL PUMP & GOVERNOR

(A)=L100AE-DEG22YC

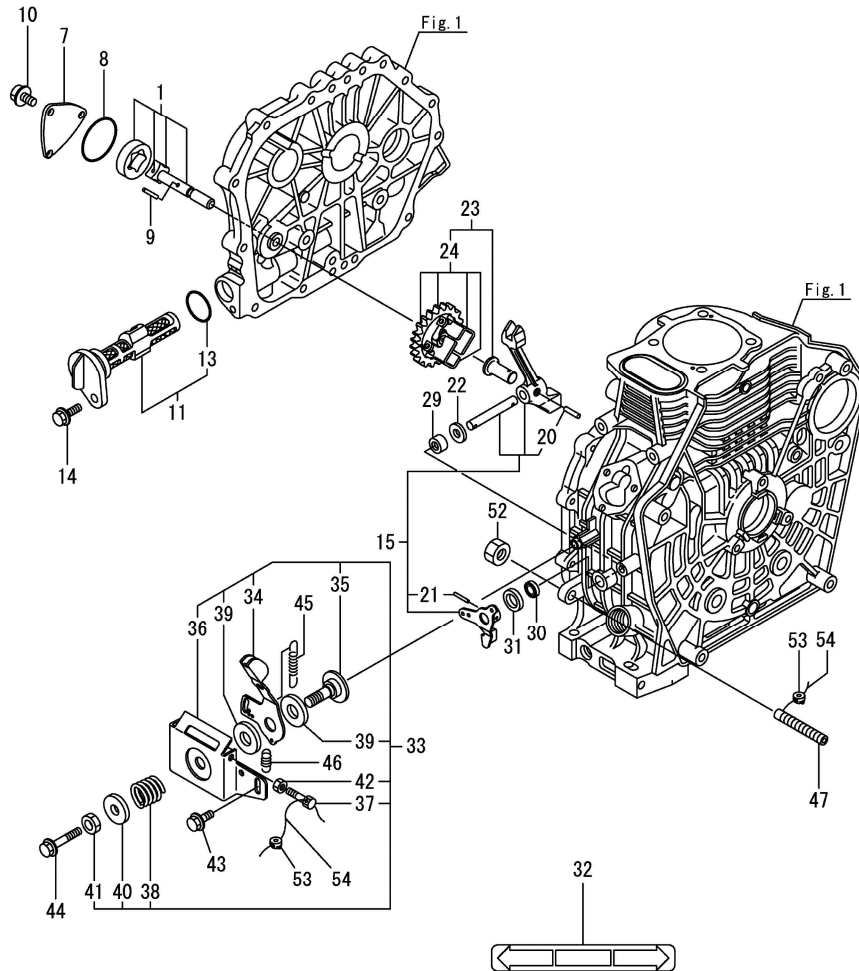
(B)=

(C)=

(D)=

(E)=

(F)=



No.	Lev.	Parts No.	Description	Q'ty						I	R
				(A)	(B)	(C)	(D)	(E)	(F)		
1	1	114650-32010	PUMP ASSY, OIL	1							
7	1	114299-32070	COVER	1							
8	1	114299-32570	O-RING	1							
9	1	22312-030160	PIN, PARALLEL M3X16	1							
10	1	26106-060122	BOLT, M6X 12 PLATED	3							
11	1	114299-35110	FILTER ASSY, OIL	1							
13	2	24341-000224	O-RING, 1AS22.4	1							
14	1	26106-060162	BOLT, M6X 16 PLATED	1							
15	1	714699-61500	LEVER ASSY, GOVERNOR	1							
20	3	22322-030200	PIN, TAPER 3X20	1							
21	2	22322-030200	PIN, TAPER 3X20	1							
22	1	114299-61190	WASHER	1							
23	1	714699-61701	GOVERNOR ASSY	1							
24	2	114699-61210	WEIGHT ASSY, GOVERNOR	1							
29	1	114270-61520	BEARING, NEEDLE 8	2							
30	1	114299-61600	SEAL, OIL	1							
31	1	114770-61610	WASHER, THRUST	1							
32	1	183250-07230	LABEL, OPERATION	1							
33	1	183250-66500	BRACKET ASSY	1							
34	2	114210-66070	HANDLE, REGULATOR	1							
35	2	183250-66070	SHAFT, HANDLE	1							
36	2	183250-66100	BRACKET, RADIATOR	1							
37	2	114250-66440	BOLT, ADJUST	1							
38	2	104200-66820	SPRING	1							
39	2	104200-66831	PLATE, FRICTION	2							
40	2	104200-66850	WASHER	1							
41	2	26696-100002	NUT, LOCK M10	1							
42	2	26757-060002	NUT, LOCK M6	1							
43	1	26106-060142	BOLT, M6X 14 PLATED	1							
44	1	26106-060452	BOLT, M6X 45 PLATED	1							
45	1	114699-66010	SPRING, REGULATOR	1							
46	1	114299-66201	SPRING, RETURN	1							
47	1	114650-66600	LIMITER ASSY, FUEL	1							
52	1	26776-100002	NUT, LOCK M10	1							
53	1	114780-61090	TIN	2							
54	1	22451-060000	WIRE, 0.6	2							

Fig.6. COOLING & STARTING DEVICE

(A)=L100AE-DEG22YC
(B)=
(C)=

(D)=
(E)=
(F)=

No.	Lev.	Parts No.	Description	Q'ty						I	R
				(A)	(B)	(C)	(D)	(E)	(F)		
1	1	114699-45210	COVER	1							
2	1	114399-45320	RUBBER, SEAL	1							
3	1	114399-45340	COLLAR	1							
4	1	114299-45220	GROMMET	1							
5	1	26106-060202	BOLT, M6X 20 PLATED	1							
6	1	114299-45301	RUBBER, CUSHION	4							
7	1	114299-45310	COLLAR	4							
8	1	114699-45331	SEAL, FAN CASE	1							
9	1	114299-45350	BOLT, FAN CASE	4							
10	1	114699-45160	CASE	1							

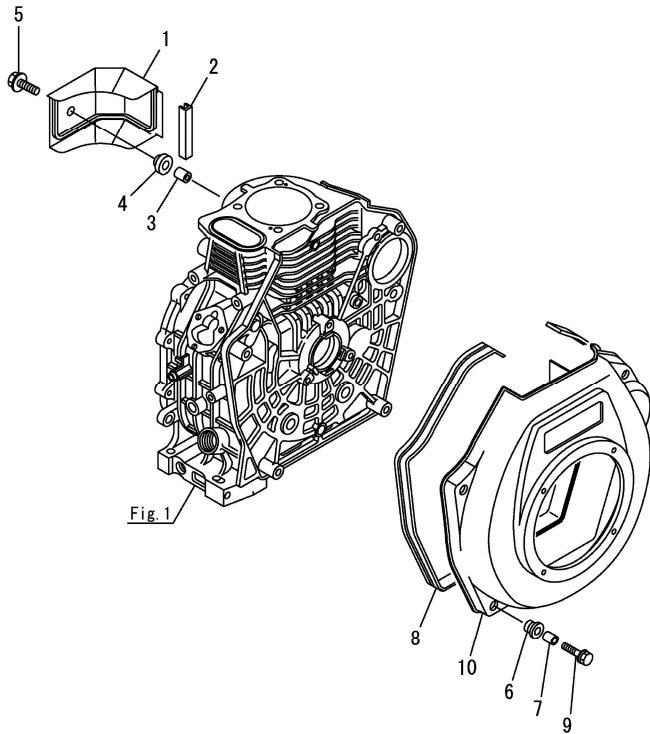
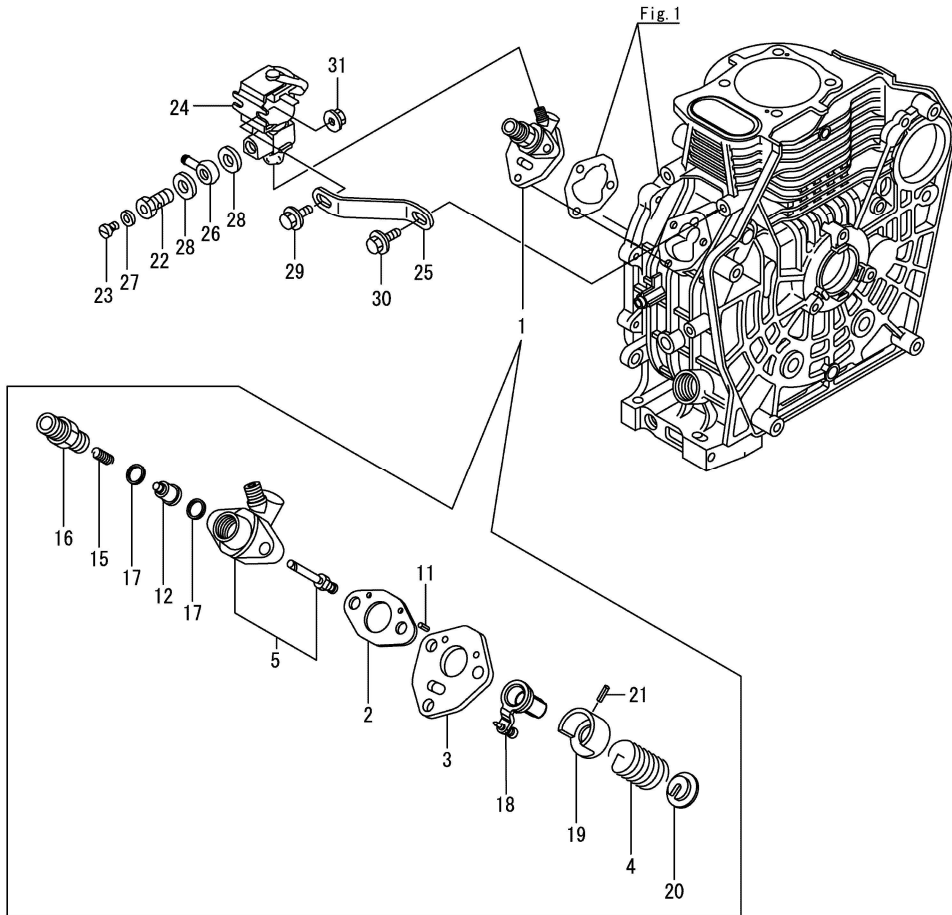


Fig.7. FUEL INJECTION PUMP

(A)=L100AE-DEG22YC
(B)=
(C)=

(D)=
(E)=
(F)=



No.	Lev.	Parts No.	Description	Q'ty						I	R
				(A)	(B)	(C)	(D)	(E)	(F)		
1	1	714699-51200	PUMP ASSY, INJECTION	1							
2	2	105546-51020	GASKET	1							
3	2	114250-51080	PLATE	1							
4	2	114250-51160	SPRING, PLUNGER	1							
5	2	114699-51200	BODY ASSY, PUMP	1							
11	4	22351-020006	PIN, SPRING 2.0X 6	2							
12	2	114650-51300	VALVE ASSY, DELIVERY	1							
15	2	105546-51330	SPRING, DELIVERY	1							
16	2	114250-51340	HOLDER, DELIVERY	1							
17	2	124550-51350	GASKET, DELIVERY	2							
18	2	114250-51500	LEVER, CONTROL	1							
19	2	114250-51640	SEAT, SPRING	1							
20	2	114250-51650	SEAT, SPRING	1							
21	2	22351-030008	PIN, SPRING 3.0X 8	1							
22	1	114299-59920	BOLT, M10	1							
23	1	114299-59930	BOLT	1							
24	1	114299-76900	VALVE, FUEL CUT	1							
25	1	114299-76910	STAY	1							
26	1	114299-76930	BALL JOINT 10	1							
27	1	114299-83000	GASKET, 6	1							
28	1	114299-83010	GASKET, 10	2							
29	1	26106-060122	BOLT, M6X 12 PLATED	1							
30	1	26106-060162	BOLT, M6X 16 PLATED	1							
31	1	26366-060002	NUT, M6	1							

Fig.8. FUEL INJECTION VALVE

(A)=L100AE-DEG22YC
(B)=
(C)=

(D)=
(E)=
(F)=

No.	Lev.	Parts No.	Description	Q'ty						I	R
				(A)	(B)	(C)	(D)	(E)	(F)		
1	1	714650-53100	FUEL INJECTOR ASSY	1							
2	2	114650-53000	NOZZLE ASSY, F.I.	1							
5	2	114250-53080	NUT, NOZZLE	1							
6	2	114250-53120	SPRING, NOZZLE	1							
7	2	114250-53130	SEAT, SPRING	1							
8	2	114250-53140	SPACER	1							
9	2	114250-53210	PIN	2							
10	2	114650-53300	HOLDER ASSY, NOZZLE	1							
11	3	114250-53331	PIN, SPRING	1							
15	2	119803-53400	SHIM SET	1							
42	1	114650-59801	PIPE ASSY, INJECTION	1							
43	1	114699-59850	SUPPORT, PIPE	1							

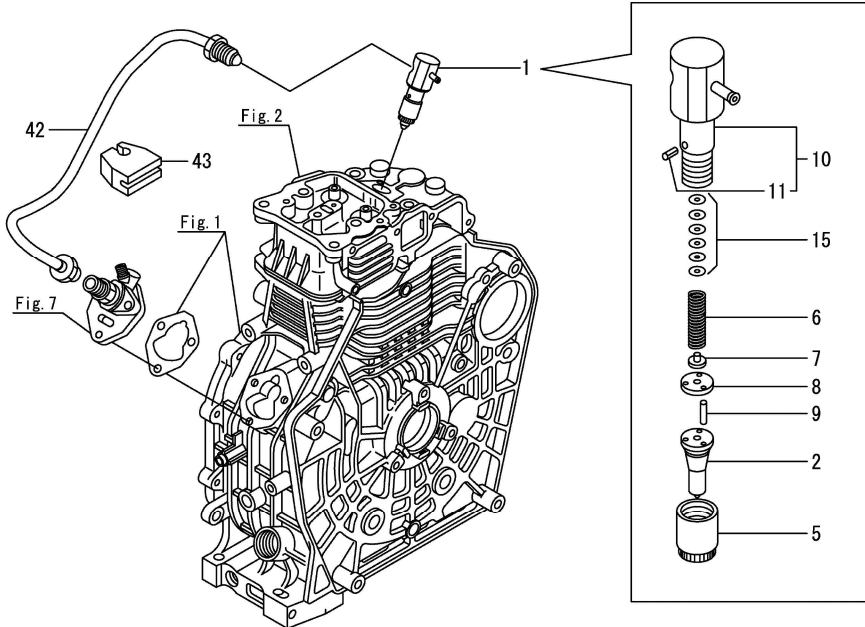
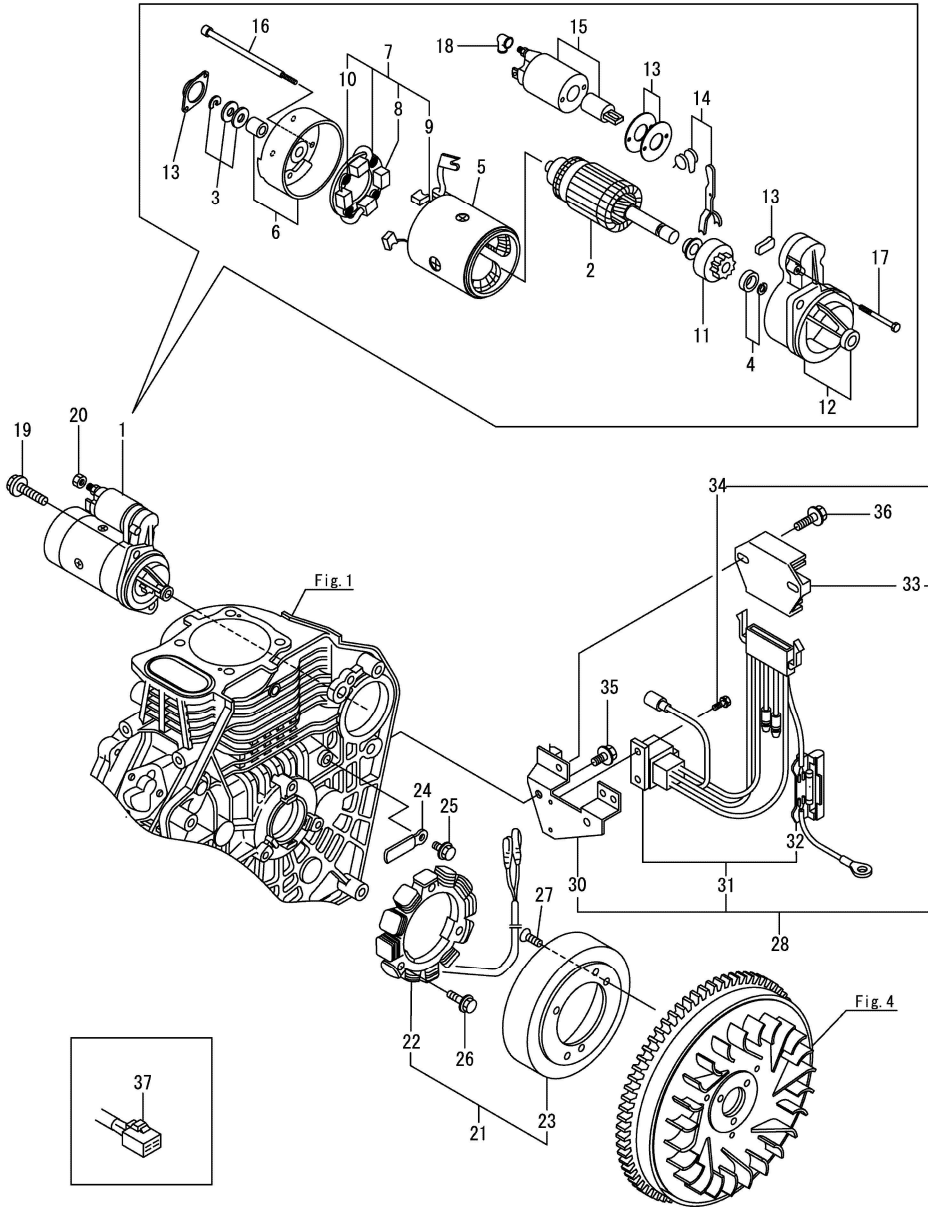


Fig.9. STARTER MOTOR & DYNAMO



(A)=L100AE-DEG22YC
(B)=
(C)=

(D)=
(E)=
(F)=

No.	Lev.	Parts No.	Description	Q'ty						I	R
				(A)	(B)	(C)	(D)	(E)	(F)		
1	1	114362-77011	STARTER ASSY	1							
2	2	114381-77110	ARMATURE	1							
3	2	X2114811000	WASHER KIT, THRUST	1							
4	2	X2114715500	STOPPER SET, PINION	1							
5	2	114381-77130	COIL ASSY, FIELD	1							
6	2	114381-77140	COVER	1							
7	2	114371-77160	HOLDER ASSY, BRUSH	1							
8	3	114371-79040	BRUSH	2							
9	3	114371-79050	BRUSH	1							
10	3	114371-79060	SPRING, BRUSH	4							
11	2	X211485016	PINION ASSY	1							
12	2	114381-77151	CASE ASSY	1							
13	2	114371-77170	COVER KIT, DUST	1							
14	2	114371-77180	LEVER KIT, SHIFT	1							
15	2	124298-77020	SWITCH, MAGNET	1							
16	2	124195-77770	BOLT, THROUGH	2							
17	2	114371-79070	BOLT	2							
18	2	X2114274200	COVER, TERMINAL	1							
19	1	26106-100302	BOLT, M10X 30 PLATED	2							
20	1	26716-080002	NUT, M8	1							
21	1	114399-78260	DYNAMO ASSY	1							
22	2	114399-78730	STATOR ASSY	1							
23	2	114399-78740	WHEEL, DYNAMO	1							
24	1	160710-78710	CLAMP, CORD	1							
25	1	26106-060122	BOLT, M6X 12 PLATED	1							
26	1	26106-060202	BOLT, M6X 20 PLATED	3							
27	1	114210-78800	SCREW, COUNTERSUNK M6	3							
28	1	114399-77550	REG. & HARNESS ASSY	1							
30	3	114399-77400	BRACKET, HARNESS	1							
31	3	114399-77540	HARNESS, WIRE	1							
32	4	114399-78000	FUSE(20A	1							
33	2	114399-77710	REGULATOR	1							
34	2	26023-040102	SCREW, M4X10	2							
35	1	26106-060122	BOLT, M6X 12 PLATED	2							
36	1	26106-060202	BOLT, M6X 20 PLATED	2							
37	1	114351-77520	COUPLER	1							1

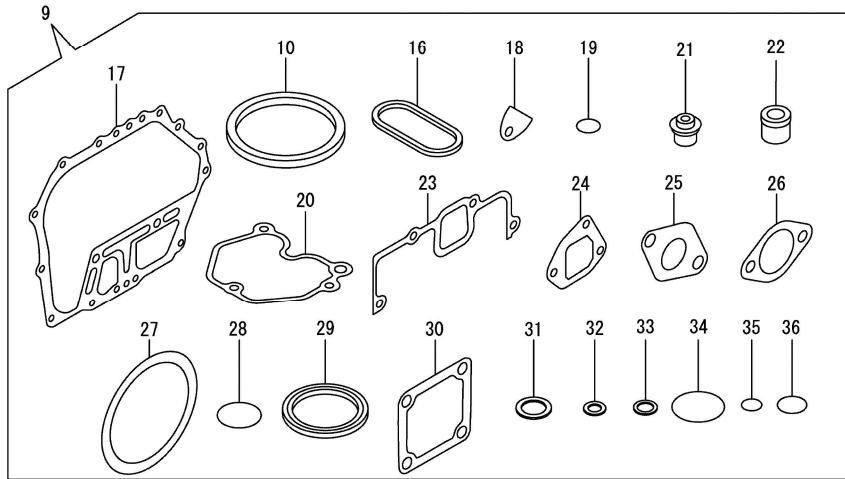
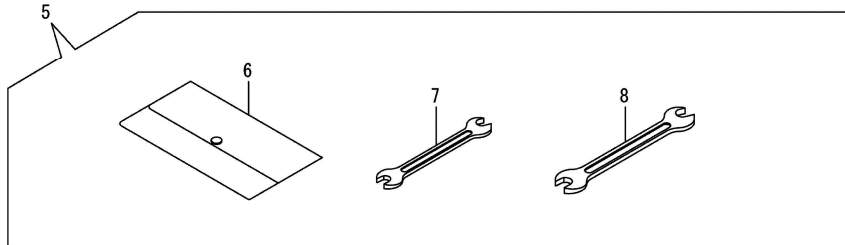
Remarks

(1) Loose parts.

Fig.10. TOOL, LABEL & GASKET SET

(A)=L100AE-DEG22YC
(B)=
(C)=

(D)=
(E)=
(F)=



No.	Lev.	Parts No.	Description	Q'ty						I	R
				(A)	(B)	(C)	(D)	(E)	(F)		
2	1	114299-07111	LABEL, YANMAR MARK B	1							
4	1	183250-07230	LABEL, OPERATION	1							
5	1	114299-92590	BOX, TOOL	1							
6	2	114299-92600	BAG, TOOL	1							
7	2	114299-92710	WRENCH	1							
8	2	114299-92720	WRENCH	1							
9	1	114320-92600	GASKET SET	1							1
10	2	114695-01331	GASKET, HEAD	1							
16	2	114699-01380	O-RING	1							
17	2	114699-01410	GASKET, CRANK CASE	1							
18	2	114250-01841	GASKET	1							
19	2	114299-01950	O-RING, 18	2							
20	2	114310-11310	GASKET, BONNET	1							
21	2	114650-11341	SEAL, VALVE STEM	2							
22	2	114771-11461	GASKET, NOZZLE	1							
23	2	114310-12210	GASKET, AIR CLEANER	1							
24	2	114699-12210	GASKET, AIR CLEANER	2							
25	2	114310-13200	GASKET, MUFFLER	1							
26	2	183671-13211	GASKET, MUFFLER	1							
27	2	114399-21980	GASKET	1							
28	2	114299-32570	O-RING	1							
29	2	160393-55050	GASKET	4							
30	2	129100-77510	GASKET, AIR HEATER	3							
31	2	22190-160002	WASHER, SEAL 16	2							
32	2	23414-080000	GASKET, 8X1.0	1							
33	2	23414-120000	GASKET, 12X1.0	1							
34	2	24311-000400	O-RING, 1AP40.0	1							
35	2	24341-000150	O-RING, 1AS15.0	2							
36	2	24341-000224	O-RING, 1AS22.4	1							

Remarks

(1)Optional parts.

N:Old $\begin{matrix} \leftarrow \text{Yes} \\ \text{No} \end{matrix}$ New. Q:Old $\begin{matrix} \leftarrow \text{No} \\ \text{Yes} \end{matrix}$ New. R:Old $\begin{matrix} \leftarrow \text{Yes} \\ \text{Yes} \end{matrix}$ New. S:Old $\begin{matrix} \leftarrow \text{No} \\ \text{No} \end{matrix}$ New. W:Add. Z:Discontinued. F:Interchangeable by set. K:Q'ty Change

Parts No. Index

Parts No.	Fig. No.	Ref. No.
104200-66820	5	38
104200-66831	5	39
104200-66850	5	40
104211-11370	2	15
		28
105300-23200	4	34
105546-51020	7	2
105546-51330	7	15
114210-28050	4	42
114210-66070	5	34
114210-78800	9	27
114250-01841	1	10
	10	18
114250-03591	2	37
114250-11240	2	21
		26
114250-11460	2	16
114250-51080	7	3
114250-51160	7	4
114250-51340	7	16
114250-51500	7	18
114250-51640	7	19
114250-51650	7	20
114250-53080	8	5
114250-53120	8	6
114250-53130	8	7
114250-53140	8	8
114250-53210	8	9
114250-53331	8	11
114250-66440	5	37
114252-12550	3	12
114252-12560	3	8
114270-61520	5	29
114299-01600	1	11
114299-01690	1	17
114299-01800	1	33
114299-01830	1	5
114299-01950	1	20
	10	19
114299-02030	1	22
114299-03640	2	40
114299-07111	10	2
114299-11901	2	12
114299-12300	3	3
114299-32070	5	7
114299-32570	5	8
	10	28
114299-35110	5	11
114299-35150	1	15
114299-45220	6	4

Parts No.	Fig. No.	Ref. No.
114299-45301	6	6
114299-45310	6	7
114299-45350	6	9
114299-59920	7	22
114299-59930	7	23
114299-61190	5	22
114299-61600	5	30
114299-66201	5	46
114299-76900	7	24
114299-76910	7	25
114299-76930	7	26
114299-83000	7	27
114299-83010	7	28
114299-92590	10	5
114299-92600	10	6
114299-92710	10	7
114299-92720	10	8
114310-11310	10	20
114310-12210	10	23
114310-13200	10	25
114310-22500	4	29
114310-45360	3	15
114320-92600	10	9
114350-11470	2	17
114351-77520	9	37
114362-77011	9	1
114371-77160	9	7
114371-77170	9	13
114371-77180	9	14
114371-79040	9	8
114371-79050	9	9
114371-79060	9	10
114371-79070	9	17
114381-77110	9	2
114381-77130	9	5
114381-77140	9	6
114381-77151	9	12
114399-21980	10	27
114399-45320	6	2
114399-45340	6	3
114399-77400	9	30
114399-77540	9	31
114399-77550	9	28
114399-77710	9	33
114399-78000	9	32
114399-78260	9	21
114399-78730	9	22
114399-78740	9	23
114650-02100	1	48
114650-02150	1	23

Parts No.	Fig. No.	Ref. No.
114650-02200	1	28
114650-02210	1	29
114650-07450	3	1
114650-11011	2	1
114650-11261	2	13
114650-11341	2	14
	10	21
114650-11652	2	19
114650-12550	3	11
114650-12590	3	9
114650-14402	4	8
114650-32010	5	1
114650-51300	7	12
114650-53000	8	2
114650-53300	8	10
114650-59801	8	42
114650-66600	5	47
114695-01331	10	10
114699-01050	1	1
114699-01200	1	6
114699-01210	1	7
114699-01220	1	30
114699-01230	1	31
114699-01250	1	8
114699-01330	1	32
114699-01380	1	9
	10	16
114699-01410	1	44
	10	17
114699-01450	1	45
114699-01760	1	18
114699-11100	2	6
114699-11110	2	7
114699-11120	2	8
114699-11320	2	33
114699-11600	2	18
114699-11950	2	35
114699-12020	3	13
114699-12200	3	14
114699-12210	3	2
	10	24
114699-13200	3	18
114699-14200	4	6
114699-21220	4	17
114699-21550	4	18
114699-21600	4	59
114699-21630	4	62
114699-22300	4	28
114699-45160	6	10
114699-45210	6	1

Parts No.	Fig. No.	Ref. No.
114699-45331	6	8
114699-51200	7	5
114699-59850	8	43
114699-61210	5	24
114699-66010	5	45
114770-61610	5	31
114771-11461	10	22
114771-14260	4	7
114780-61090	5	53
114980-12530	3	7
119620-11180	2	9
119803-53400	8	15
124060-23100	4	33
124195-77770	9	16
124298-77020	9	15
124550-51350	7	17
129100-77510	10	30
160393-55050	10	29
160710-78710	9	24
183250-07230	5	32
	10	4
183250-39450	1	50
183250-66070	5	35
183250-66100	5	36
183250-66500	5	33
183671-12520	3	6
183671-13211	10	26
22190-160002	1	21
	10	31
22312-030160	2	42
	5	9
22322-030200	5	20
		21
22351-020006	7	11
22351-030008	7	21
22351-040008	2	29
22451-060000	5	54
22512-050140	4	19
23414-080000	10	32
23414-120000	10	33
24101-063030	4	63
24162-152112	1	24
24311-000400	10	34
24341-000150	10	35
24341-000224	5	13
	10	36
24423-355008	1	25
		26
26023-040102	9	34
26106-060122	5	10

Parts No. Index

Parts No.	Fig. No.	Ref. No.
26106-060122	7	29
	9	25
		35
26106-060142	5	43
26106-060162	5	14
	7	30
26106-060202	6	5
	9	26
		36
26106-060252	3	16
26106-060452	5	44
26106-060702	2	34
26106-080122	1	27
26106-080352	1	16
26106-100302	9	19
26106-100552	2	30
26216-080182	3	20
26226-060142	3	17
26226-060182	1	12
26226-060222	1	13
26226-060502	2	31
26306-080002	3	19
26366-060002	1	14
	2	32
	7	31
26696-100002	5	41
26716-080002	9	20
26757-060002	5	42
26776-100002	5	52
26856-060002	2	22
		27
27310-070001	2	10
714650-23600	4	35
714650-23610	4	55
714650-23620	4	57
714650-53100	8	1
71465G-23700	4	30
714670-11660	2	23
714689-21730	4	9
714699-14580	4	1
714699-51200	7	1
714699-61500	5	15
714699-61701	5	23
714970-22500	4	22
714970-22540	4	45
714970-22550	4	51
714970-28511	4	37
714980-22581	4	49
714980-22621	4	43
714980-22721	4	20

Parts No.	Fig. No.	Ref. No.
783671-12560	3	4
X2114274200	9	18
X2114715500	9	4
X2114811000	9	3
X211485016	9	11

Parts No.	Fig. No.	Ref. No.
-----------	----------	----------

Parts No.	Fig. No.	Ref. No.
-----------	----------	----------