

0CW10-M59100EN

P R E F A C E

1. This parts catalog is the 1st edition of L100AE-DEVSDYC for NEUSON.

Pub.No. : 0CW10-G59100

Published : March, 2010

2. Model name

Engine model	Vehicle	Vehicle made by
L100AE-DEVSDYC	MINIDUMPER	NEUSON

Directions for the Parts Catalog.

1. The parts stipulated in this Parts Catalog are not necessarily standard equipped parts.
2. Parts may change without prior notice.
3. The following is an example of the Parts Catalog format.

REF.	LEV.	PARTS NO.	DESCRIPTION	Q'TY						I	R
				(A)	(B)	(C)	(D)	(E)	(F)		
1	1	729595-51390	FUEL INJECTION PUMP	1	1	1	1	1			1
1-1	1	729595-51391	FUEL INJECTION PUMP	1	1	1	1	1		N	1
		(A=E00185) (B=E00200)									
3	2	26022-060162	SCREW M 6X 16	9	9	9	9	9			
3-1	2	26022-060162	SCREW M 6X 16	4	4	4	4	4		K	
		(A=E00156) (B=E00156) (C=E00156) (D=E00156) (E=E00156)									
4	2	129470-51040	CAMSHAFT	1	1	1	1	1			
5	2	122710-51050	BEARING, ROLLER	2	2	2	2	2			
6	2	129470-51060	RETAINER	1	1	1	1	1			

Remarks
(1) BOOST COMPEMSATOR TYPE. OPTIONAL PART, TO E00155,(4JH-DT, 4JH-DTZ

① Ref. No.

The Ref. No. listed may not be in accordance with the illustration Ref. No.

(Ex.) Illustration No.

List Ref No.

1 1 (Before change) → 1-1 (After change)

For interchangeable symbols N, R and K, illustrations for new parts may be abbreviated.

② Lev. (Level)

Level indication

The numbers below indicate the level of relativity towards the main part.

1 ---- Main parts (Assembly parts)

2 ---- Sub component included in " 1 ".

3 ---- Sub component included in " 2 ".

Note) Parts that are not for sale are partially illustrated but not listed.

③ Interchangeability Mark

When a part change takes place, one of the following interchangeability symbols is indicated beside the part.

Symbol	Interchangeability	Contents note
N	Old $\begin{matrix} \leftarrow \text{Yes} \\ \text{No} \rightarrow \end{matrix}$ New	New Part is interchangeable for Old Part but Old Part is not interchangeable for New Part.
Q	Old $\begin{matrix} \leftarrow \text{No} \\ \text{Yes} \rightarrow \end{matrix}$ New	New Part is not interchangeable for Old Part but Old Part is interchangeable for New Part.
R	Old $\begin{matrix} \leftarrow \text{Yes} \\ \text{Yes} \rightarrow \end{matrix}$ New	New/ Old Parts are both interchangeable.
S	Old $\begin{matrix} \leftarrow \text{No} \\ \text{No} \rightarrow \end{matrix}$ New	New/ Old Parts are both not interchangeable.
W		Part newly added.
Z		Part discontinued.
F		Not interchangeable by a single part but interchangeable together with related parts.
K		Changes only for used parts quantities.

④ Effective Machine No.

When a part changes, the effective Machine No. will be indicated in the (A)-(F) column.

Product Symbol	Product No.	Product Symbol	Product No.
C	Clutch No. Compressor No.	F	Machine No. (Agricultural Equip.)
D	Drive No.	M	Machine No.
E	Engine No.		

Note 1) A date may follow the symbol. (Ex.) 1996.01

Note 2) "XXXXX" and "ZZZZZ" are for parts that could not be predicted or for engine models that could not be identified.

Note 3) (A=E00185) is the E (Engine Serial Number) for the column (A) model (in this case 4JH-DT) after the parts design change.

⑤ Remarks Mark

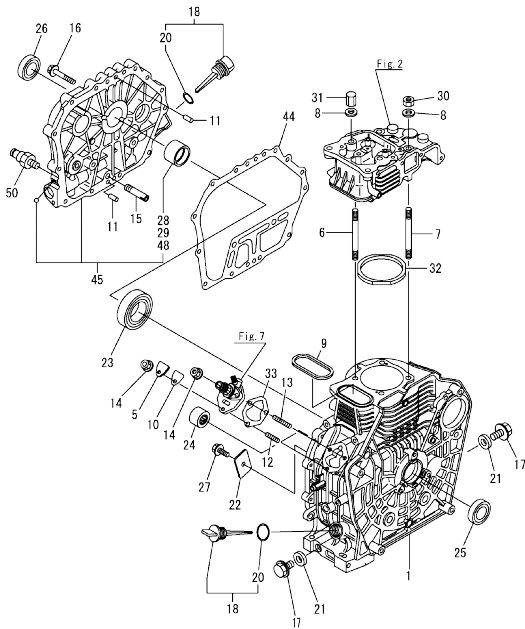
Figures or alphabets (symbols) are entered in the remarks column.

The comments (remarks) on parts that are indicated at the bottom of the illustration are the same symbols as those stated above.

Contents

Fig. No.	Fig. Name	Fig. No.	Fig. Name
L100AE-DEVSDYC			
1.	CYLINDER BLOCK		
2.	CYLINDER HEAD & BONNET		
3.	AIR CLEANER & MUFFLER		
4.	CRANKSHAFT,PISTON & CAMSHAFT		
5.	LUB.OIL PUMP & GOVERNOR		
6.	COOLING & STARTING DEVICE		
7.	F.I.PUMP & F.I.VALVE		
8.	FUEL TANK & FUEL PIPE		
9.	STARTING MOTOR & DYNAMO		
10.	TOOL,LABEL & GASKET SET		

Fig.1. CYLINDER BLOCK

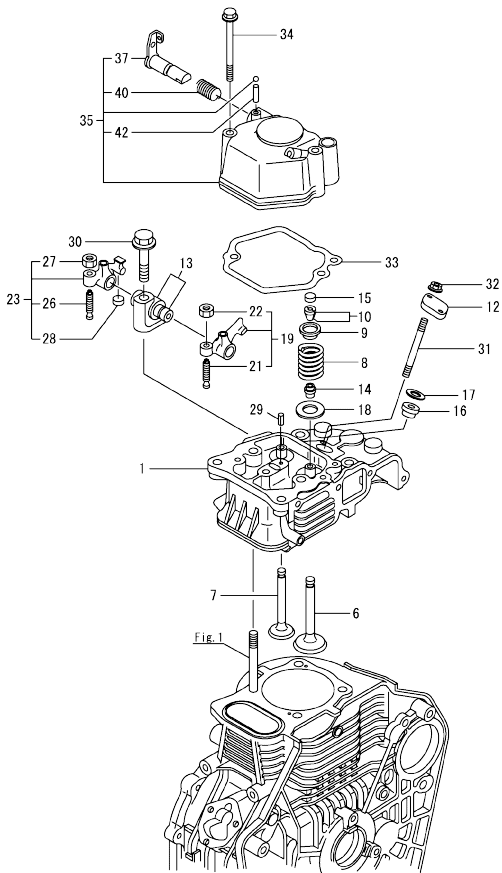


No.	Lev.	Parts No.	Description	Q'ty						I	R
				(A)	(B)	(C)	(D)	(E)	(F)		
1	1	114699-01050	BLOCK ASSY, CYLINDER	1							
5	1	114299-01830	COVER	1							
6	1	114699-01200	BOLT, HEAD	2							
7	1	114699-01210	BOLT, HEAD	2							
8	1	114699-01250	WASHER	4							
9	1	114699-01380	O-RING	1							
10	1	114250-01841	GASKET	1							
11	1	114299-01600	PIN, 8X12	2							
12	1	26226-060182	STUD, M6X 18	1							
13	1	26226-060222	STUD, M6X 22	2							
14	1	26366-060002	NUT, M6	3							
15	1	114299-35150	PIPE, OIL INLET	1							
16	1	26106-080352	BOLT, M8X 35 PLATED	16							
17	1	114299-01690	PLUG M16	2							
18	1	114699-01760	CAP ASSY	2							
20	2	114299-01950	O-RING, 18	2							
21	1	22190-160002	WASHER, SEAL 16	2							
22	1	114299-02030	RETAINER, BEARING	1							
23	1	114650-02150	BEARING, HR6308G3C3	1							
24	1	24162-152112	BEARING, 152112	1							
25	1	24423-355008	SEAL, OIL TC355008	1							
26	1	24423-355008	SEAL, OIL TC355008	1							
27	1	26106-080122	BOLT, M8X 12 PLATED	1							
28	1	114650-02200	BEARING, 0.25 US	1							2
29	1	114650-02210	BEARING, 0.50 US	1							3
30	1	114699-01220	NUT, CYLINDER HEAD A	2							
31	1	114699-01230	NUT, CYLINDER HEAD B	2							
32	1	114699-01330	GASKET, HEAD	1							
33	1	114299-01800	SHIM SET	1							
44	1	114699-01410	GASKET, CRANK CASE	1							
45	1	114699-01450	COVER, CRANK CASE	1							
48	2	114650-02100	BEARING, MAIN	1							1
50	1	183250-39450	SWITCH, 1.0KG	1							

Remarks

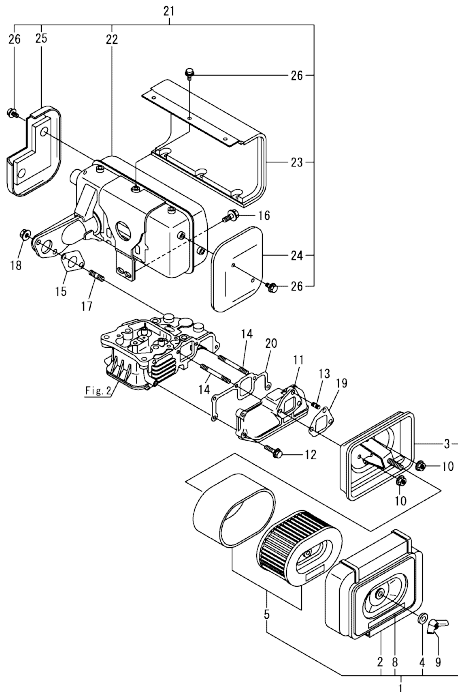
- (1) Repair parts.
- (2) Under sized(U.S.=0.25)parts.
- (3) Under sized(U.S.=0.50)parts.

Fig.2. CYLINDER HEAD & BONNET



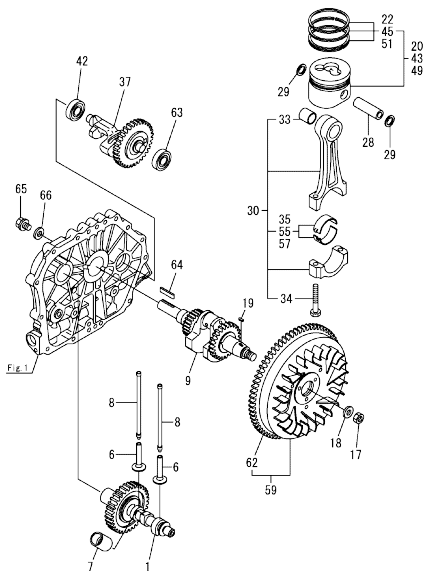
No.	Lev.	Parts No.	Description	Qty						I	R
				(A)	(B)	(C)	(D)	(E)	(F)		
1	1	114650-11011	HEAD ASSY, CYLINDER	1							
6	1	114699-11100	VALVE, INTAKE	1							
7	1	114699-11110	VALVE, EXHAUST	1							
8	1	114699-11120	SPRING, VALVE	2							
9	1	119620-11180	RETAINER, SPRING	2							
10	1	27310-070001	COTTER, 7	2							
12	1	114299-11901	RETAINER, NOZZLE	1							
13	1	114650-11261	SUPPORT, ROCKER ARM	1							
14	1	114650-11340	SEAL, VALVE STEM	2							
15	1	104211-11370	CAP, VALVE	1							
16	1	114250-11460	GASKET, NOZZLE	1							
17	1	114350-11470	SPACER, NOZZLE	1							
18	1	114699-11600	WASHER	2							
19	1	114650-11652	ARM, ROCKER	1							
21	2	114250-11240	SCREW, VALVE ADJUST	1							
22	2	26856-060002	NUT, M6	1							
23	1	714670-11660	ARM ASSY, ROCKER	1							
26	3	114250-11240	SCREW, VALVE ADJUST	1							
27	3	26856-060002	NUT, M6	1							
28	2	104211-11370	CAP, VALVE	1							
29	1	22351-040008	PIN, SPRING 4.0X 8	1							
30	1	26106-100552	BOLT, M10X 55 PLATED	1							
31	1	26226-060502	STUD, M6X 50	2							
32	1	26366-060002	NUT, M6	2							
33	1	114699-11320	GASKET, BONNET	1							
34	1	26106-060702	BOLT, M6X 70 PLATED	2							
35	1	114699-11950	BONNET ASSY, HEAD	1							
37	2	114250-03591	LEVER ASSY	1							
40	2	114299-03640	SPRING, DECOMPRESSION	1							
42	2	22312-030160	PIN, PARALLEL M3X16	1							

Fig.3. AIR CLEANER & MUFFLER



No.	Lev.	Parts No.	Description	Q'ty						I	R
				(A)	(B)	(C)	(D)	(E)	(F)		
1	1	114980-12510	CLEANER ASSY, AIR	1							
2	2	114650-12520	COVER, AIR CREAMER	1							
3	2	114980-12530	CASE ASSY, CLEANER	1							
4	2	114252-12560	WASHER, SEAL M8	1							
5	2	114650-12590	ELEMENT ASSY	1							
8	2	114650-07450	LABEL, AIR CLEANER	1							
9	1	114252-12550	NUT, WING M8	1							
10	1	114299-12300	NUT	3							
11	1	114699-12020	PIPE, AIR INTAKE	1							
12	1	26106-060252	BOLT, M6X 25 PLATED	3							
13	1	26226-060142	STUD, M6X 14	1							
14	1	114310-45360	STUD BOLT, TOP COVER	2							
15	1	114699-13200	GASKET, MUFFLER	1							
16	1	26106-080202	BOLT, M8X 20 PLATED	2							
17	1	26216-080182	STUD, M8X 18	2							
18	1	26366-080002	NUT, M8	2							
19	1	114699-12210	GASKET, AIR CLEANER	1							
20	1	114699-12200	GASKET	1							
21	1	114674-13551	MUFFLER ASSY	1							
22	2	114674-13511	MUFFLER	1							
23	2	183382-13700	COVER	1							
24	2	114970-13710	COVER	1							
25	2	114973-13710	COVER	1							
26	2	114699-13720	BOLT, M6	10							

Fig.4. CRANKSHAFT,PISTON & CAMSHAFT

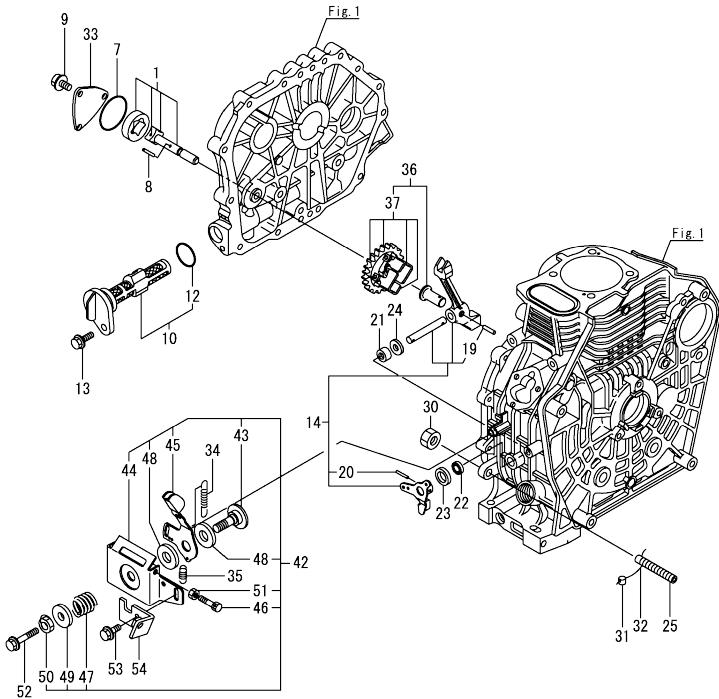


No.	Lev.	Parts No.	Description	Q'ty						I	R
				(A)	(B)	(C)	(D)	(E)	(F)		
1	1	714699-14580	CAMSHAFT ASSY	1							
6	1	114699-14200	TAPPET	2							
7	1	114771-14260	TAPPET	1							
8	1	114650-14402	ROD ASSY, PUSH	2							
9	1	714660-21710	CRANKSHAFT ASSY	1							
17	1	114699-21220	NUT	1							
18	1	114699-21550	WASHER	1							
19	1	22512-050140	KEY, 5X 14	1							
20	1	714980-22721	PISTON ASSY, D	1							
22	2	714970-22500	RING SET, PISTON	1							
28	1	114699-22300	PIN, PISTON D=23	1							
29	1	129792-22400	CIRCLIP, 23	2							
30	1	714699-23700	ROD ASSY, CONNECTING	1							
33	2	124060-23100	BEARING, PISTON PIN	1							
34	2	105300-23200	BOLT, CONNECTING ROD	2							
35	2	714650-23600	BEARING, CRANK PIN	1							
37	1	714970-28511	SHAFT ASSY, BALANCER	1							
42	1	24101-062030	BEARING, BALL 6203C3	1							
43	1	714980-22621	PISTON ASSY, 0.25 OS	1							1
45	2	714970-22540	RING SET, 0.25 OS	1							1
49	1	714980-22581	PISTON ASSY, 0.50 OS	1							2
51	2	714970-22550	RING SET, 0.50 OS	1							2
55	1	714650-23610	BEARING ASSY, 0.25	1							3
57	1	714650-23620	BEARING, 0.50 US	1							4
59	1	114699-21600	FLYWHEEL ASSY, DE	1							
62	2	114699-21630	RING, GEAR	1							
63	1	24101-063030	BEARING, BALL 6303C3	1							
64	1	22512-070360	KEY, 7X 36	1							
65	1	26106-080202	BOLT, M8X 20 PLATED	1							
66	1	160310-14550	WASHER	1							

Remarks

- (1) Over sized(U.S.=0.25)parts.
- (2) Over sized(U.S.=0.50)parts.
- (3) Under sized(U.S.=0.25)parts.
- (4) Under sized(U.S.=0.50)parts.

Fig.5. LUB.OIL PUMP & GOVERNOR



No.	Lev.	Parts No.	Description	Q'ty						I	R
				(A)	(B)	(C)	(D)	(E)	(F)		
1	1	114650-32010	PUMP ASSY, OIL	1							
7	1	114299-32570	O-RING	1							
8	1	22312-030160	PIN, PARALLEL M3X16	1							
9	1	26106-060122	BOLT, M6X 12 PLATED	3							
10	1	114299-35110	FILTER ASSY, OIL	1							
12	2	24341-000224	O-RING, 1AS22.4	1							
13	1	26106-060162	BOLT, M6X 16 PLATED	1							
14	1	714699-61500	LEVER ASSY, GOVERNOR	1							
19	3	22322-030200	PIN, TAPER 3X20	1							
20	2	22322-030200	PIN, TAPER 3X20	1							
21	1	114270-61520	BEARING, NEEDLE 8	2							
22	1	114299-61600	SEAL, OIL	1							
23	1	114770-61610	WASHER, THRUST	1							
24	1	114299-61190	WASHER	1							
25	1	114650-66600	LIMITER ASSY, FUEL	1							
30	1	26776-100002	NUT, LOCK M10	1							
31	1	114780-61090	TIN	2							
32	1	22451-060000	WIRE, 0.6	2							
33	1	114299-32070	COVER	1							
34	1	114699-66010	SPRING, REGULATOR	1							
35	1	114299-66200	SPRING, RETURN	1							
36	1	714699-61701	GOVERNOR ASSY	1							
37	2	114699-61210	WEIGHT ASSY, GOVERNOR	1							
42	1	114254-66200	BRACKET ASSY, HANDLE	1							
43	2	183250-66070	SHAFT, HANDLE	1							
44	2	183250-66100	BRACKET, RADIATOR	1							
45	2	114254-66210	HANDLE, REGULATOR	1							
46	2	114250-66440	BOLT, ADJUSTING	1							
47	2	104200-66820	SPRING	1							
48	2	104200-66831	PLATE, FRICTION	2							
49	2	104200-66850	WASHER	1							
50	2	26696-100002	NUT, LOCK M10	1							
51	2	26757-060002	NUT, LOCK M6	1							
52	1	26106-060452	BOLT, M6X 45 PLATED	1							
53	1	26106-060142	BOLT, M6X 14 PLATED	1							
54	1	114254-66220	SUPPORT	1							

Fig.6. COOLING & STARTING DEVICE

(A)=L100AE-DEVSDYC
(B)=
(C)=

(D)=
(E)=
(F)=

No.	Lev.	Parts No.	Description	Q'ty						I	R
				(A)	(B)	(C)	(D)	(E)	(F)		
1	1	114699-45210	COVER	1							
2	1	114399-45320	RUBBER, SEAL	1							
3	1	114399-45340	COLLAR	1							
4	1	114299-45220	GROMMET	1							
5	1	26106-060202	BOLT, M6X 20 PLATED	1							
6	1	114299-45301	RUBBER, CUSHION	4							
7	1	114299-45310	COLLAR	4							
8	1	114699-45331	SEAL, FAN CASE	1							
9	1	114299-45350	BOLT, FAN CASE	4							
11	1	114699-76251	RECOIL ASSY	1							
12	2	114699-76510	CASE, STARTER	1							
13	2	114699-76521	REEL, RECOIL	1							
15	2	114699-76531	RATCHET	2							
16	2	114399-76540	SPRING, SPIRAL	1							
17	2	114699-76551	GUIDE, RATCHET	1							
18	2	114699-76560	SPRING, FRICTION	1							
19	2	114399-76620	KNOB, STARTER	1							
20	2	114699-76630	ROPE, STARTER	1							
21	2	114699-76650	SPRING, RETURN	1							
22	2	114699-76660	CIRCLIP	1							
23	2	114699-76670	WASHER	1							
24	2	114699-76680	WASHER	1							
25	1	114699-76592	PULLEY, STARTER	1							
26	1	26106-060082	BOLT, M6X 8 PLATED	4							
27	1	26106-060122	BOLT, M6X 12 PLATED	3							
28	1	114699-45100	CASE, COOLING FAN	1							

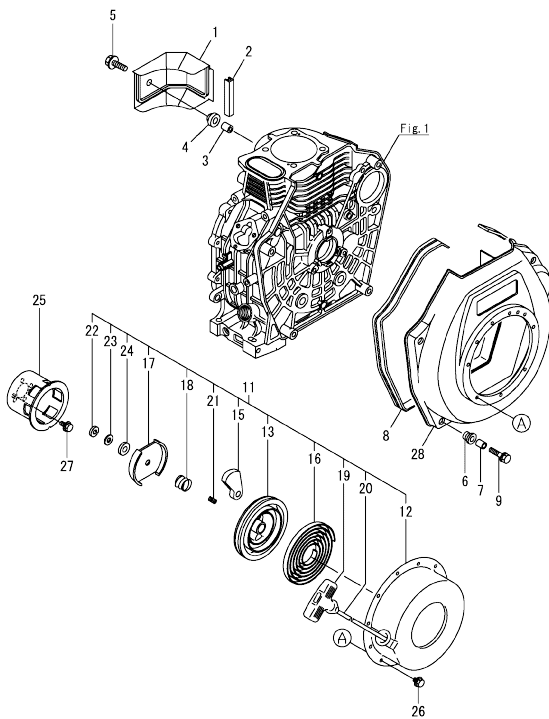
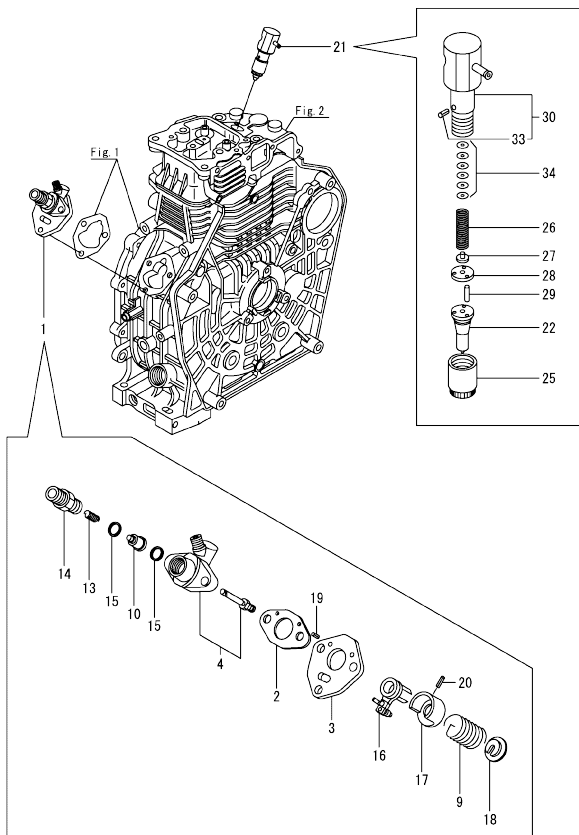
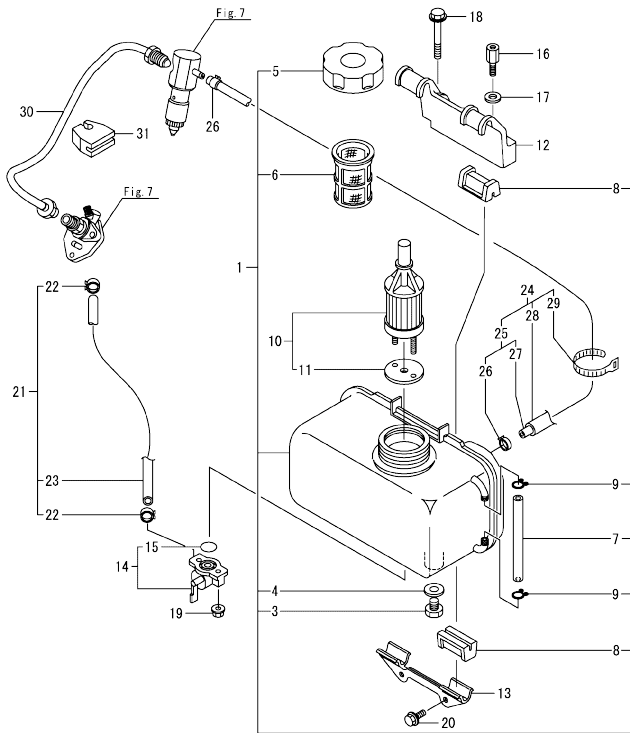


Fig.7. F.I.PUMP & F.I.VALVE



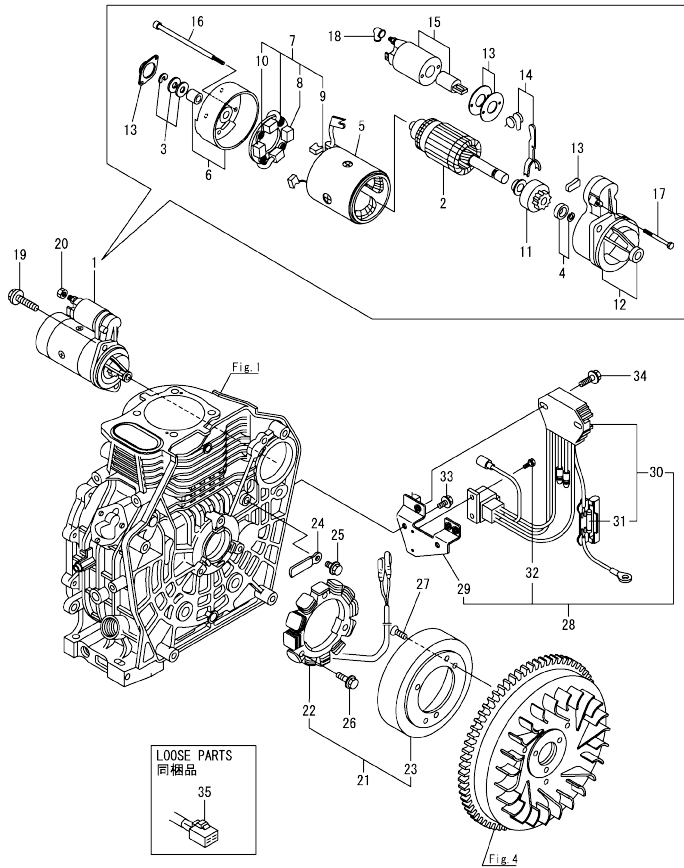
No.	Lev.	Parts No.	Description	Q'ty						I	R
				(A)	(B)	(C)	(D)	(E)	(F)		
1	1	714970-51700	PUMP ASSY, INJECTION	1							
2	2	105546-51020	GASKET	1							
3	2	114250-51080	PLATE	1							
4	2	114970-51100	BODY ASSY, PUMP	1							
9	2	114250-51160	SPRING, PLUNGER	1							
10	2	114650-51300	VALVE ASSY, DELIVERY	1							
13	2	105546-51330	SPRING, DELIVERY	1							
14	2	114250-51340	HOLDER, DELIVERY	1							
15	2	124550-51350	GASKET, DELIVERY	2							
16	2	114250-51600	LEVER ASSY, CONTROL	1							
17	2	114250-51640	SEAT, SPRING A	1							
18	2	114250-51650	SEAT, SPRING B	1							
19	2	22351-020006	PIN, SPRING 2.0X 6	2							
20	2	22351-030008	PIN, SPRING 3.0X 8	1							
21	1	714650-53100	VALVE ASSY, INJECTION	1							
22	2	114650-53000	VALVE ASSY, INJECTION	1							
25	2	114250-53080	NUT, NOZZLE D16.95	1							
26	2	114250-53120	SPRING, NOZZLE	1							
27	2	114250-53130	SEAT, SPRING	1							
28	2	114250-53140	PLATE	1							
29	2	114250-53210	PIN	2							
30	2	114650-53300	HOLDER ASSY, NOZZLE	1							
33	3	114250-53331	PIN	1							
34	2	114250-53400	SHIM SET	1							

Fig.8. FUEL TANK & FUEL PIPE



No.	Lev.	Parts No.	Description	Q'ty						I	R
				(A)	(B)	(C)	(D)	(E)	(F)		
1	1	714699-55700	TANK, FUEL (RED)(50)	1							
3	3	105300-55080	PLUG, 8	1							
4	3	23414-080000	GASKET, 8X1.0	1							
5	2	114299-55040	CAP ASSY, FUEL TANK	1							
6	2	114299-55100	FILTER, FUEL OIL	1							
7	2	114650-55150	GAUGE, LEVEL	1							
8	2	114299-55201	DAMPER, FUEL TANK	4							
9	2	114299-55450	CLIP, HOSE 7	2							
10	1	114250-55121	FILTER ASSY, FUEL	1							
11	2	114250-55130	GASKET	1							
12	1	114699-55230	STAY, FUEL TANK	1							
13	1	114299-55210	STAY, FUEL TANK	1							
14	1	114250-55301	COCK ASSY, FUEL	1							
15	2	24341-000150	O-RING, 1AS15.0	1							
16	1	114299-55810	BOLT, LIFTING	1							
17	1	22117-080000	WASHER, 8	1							
18	1	26106-080452	BOLT, M8X 45 PLATED	1							
19	1	26366-060002	NUT, M6	2							
20	1	26106-060162	BOLT, M6X 16 PLATED	2							
21	1	114780-59010	PIPE ASSY, FUEL L50	1							
22	2	23080-014000	CLAMP, 14	2							
23	2	114780-59060	PIPE, FUEL L=50	1							
24	1	114652-59300	PIPE, FUEL RETURN	1							
25	2	114652-59100	PIPE ASSY, FUEL	1							
26	3	124722-59050	CLIP, HOSE 9	2							
27	3	114650-59060	PIPE, FUEL RETURN	1							
28	2	114652-59310	TUBE, PROTECT	1							
29	2	121750-59890	BAND, 140	1							
30	1	114650-59801	PIPE ASSY, INJECTION	1							
31	1	114699-59850	SUPPORT, PIPE	1							

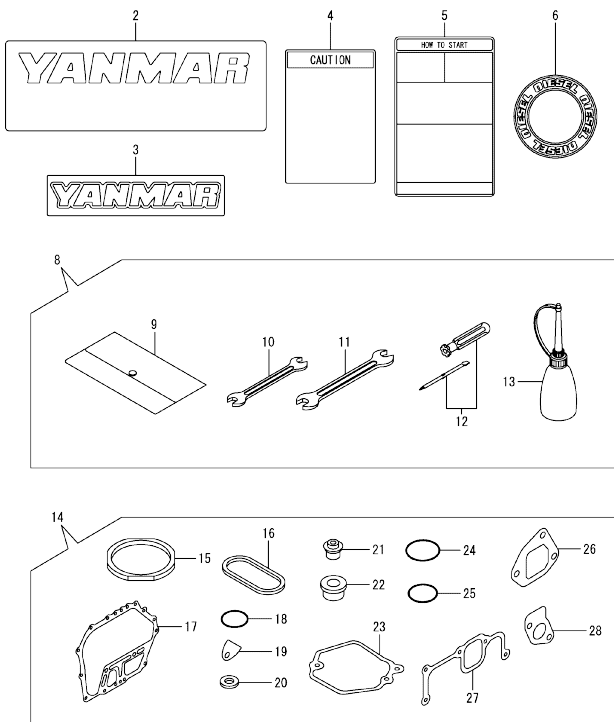
Fig.9. STARTING MOTOR & DYNAMO



No.	Lev.	Parts No.	Description	Q'ty						I	R
				(A)	(B)	(C)	(D)	(E)	(F)		
1	1	114362-77011	STARTER(HITACHI 12V	1							
2	2	114381-77110	ARMATURE	1							
3	2	X2114811000	WASHER KIT, THRUST	1							
4	2	X2114715500	STOPPER SET, PINION	1							
5	2	114381-77130	COIL ASSY, FIELD	1							
6	2	114381-77140	COVER, REAR	1							
7	2	114371-77160	HOLDER ASSY, BRUSH	1							
8	3	114371-79040	BRUSH (-)	2							
9	3	114371-79050	BRUSH (+)	1							
10	3	114371-79060	SPRING, BRUSH	4							
11	2	X211485016	PINION ASSY	1							
12	2	114381-77151	HOUSING ASSY, GEAR	1							
13	2	114371-77170	COVER KIT, DUST	1							
14	2	114371-77180	LEVER KIT, SHIFT	1							
15	2	124298-77020	SWITCH, MAGNETIC	1							
16	2	124195-77770	THROUGH BOLT	2							
17	2	114371-79070	BOLT M 6X 37	2							
18	2	X2114274200	COVER, TERMINAL	1							
19	1	26106-100302	BOLT, M10X 30 PLATED	2							
20	1	26716-080002	NUT, M8	1							
21	1	114399-78280	DINAMO ASSY, 15A	1							
22	2	114399-78770	STATOR ASSY	1							
23	2	114399-78780	WHEEL, DYNAMO	1							
24	1	160710-78710	CLAMP, CORD	1							
25	1	26106-060122	BOLT, M6X 12 PLATED	1							
26	1	26106-060202	BOLT, M6X 20 PLATED	3							
27	1	26577-060142	SCREW M 6X 14	3							
28	1	114399-77560	REG. & HARNESS ASSY	1							
29	2	114399-77410	BRACKET, HARNESS	1							
30	2	114399-77720	FUSE (20A), CARTRIDGE	1							
31	3	114399-78000	FUSE(20A)	1							
32	2	26023-040102	SCREW, M4X10	2							
33	1	26106-060122	BOLT, M6X 12 PLATED	2							
34	1	26106-060202	BOLT, M6X 20 PLATED	2							
35	1	114351-77520	COUPLER	1							

OCW10-M59100

Fig.10. TOOL,LABEL & GASKET SET



No.	Lev.	Parts No.	Description	Q'ty						I	R
				(A)	(B)	(C)	(D)	(E)	(F)		
2	1	114299-07100	LABEL, AIR COOLED	1							
3	1	114299-07110	LABEL, YANMAR	1							
4	1	114210-07120	LABEL, CAUTION	1							
5	1	114210-07130	LABEL HOW TO START-E	1							
6	1	114299-07160	LABEL, DIESEL	1							
8	1	114299-92590	BOX, TOOL	1							
9	2	114299-92600	BAG, TOOL	1							
10	2	114299-92710	WRENCH	1							
11	2	114299-92720	WRENCH	1							
12	2	114299-92730	DRIVER	1							
13	2	114299-92740	DIPSTICK	1							
14	1	714999-92600	GASKET SET	1							1
15	2	114699-01330	GASKET, HEAD	1							
16	2	114699-01380	O-RING	1							
17	2	114699-01410	GASKET, CRANK CASE	1							
18	2	114299-01950	O-RING, 18	2							
19	2	114250-01841	GASKET	1							
20	2	22190-160002	WASHER, SEAL 16	2							
21	2	114650-11340	SEAL, VALVE STEM	2							
22	2	114250-11460	GASKET, NOZZLE	1							
23	2	114699-11320	GASKET, BONNET	1							
24	2	114299-32570	O-RING	1							
25	2	24341-000224	O-RING, 1AS22.4	1							
26	2	114699-12210	GASKET, AIR CLEANER	1							
27	2	114699-12200	GASKET	1							
28	2	114699-13200	GASKET, MUFFLER	1							

Remarks
(1) Optional parts.

N:Old $\frac{100}{100}$ New, Q:Old $\frac{100}{100}$ New, R:Old $\frac{100}{100}$ New, S:Old $\frac{100}{100}$ New, W:Add, Z:Discontinued, F:Interchangeable by set, K:Q'ty Change
Copyright (C) YANMAR CO., LTD. All Rights Reserved.

Parts No. Index

Parts No.	Fig. No.	Ref. No.
104200-66820	5	47
104200-66831	5	48
104200-66850	5	49
104211-11370	2	15
		28
105300-23200	4	34
105300-55080	8	3
105546-51020	7	2
105546-51330	7	13
114210-07120	10	4
114210-07130	10	5
114250-01841	1	10
	10	19
114250-03591	2	37
114250-11240	2	21
		26
114250-11460	2	16
	10	22
114250-51080	7	3
114250-51160	7	9
114250-51340	7	14
114250-51600	7	16
114250-51640	7	17
114250-51650	7	18
114250-53080	7	25
114250-53120	7	26
114250-53130	7	27
114250-53140	7	28
114250-53210	7	29
114250-53331	7	33
114250-53400	7	34
114250-55121	8	10
114250-55130	8	11
114250-55301	8	14
114250-66440	5	46
114252-12550	3	9
114252-12560	3	4
114254-66200	5	42
114254-66210	5	45
114254-66220	5	54
114270-61520	5	21
114299-01600	1	11
114299-01690	1	17
114299-01800	1	33
114299-01830	1	5
114299-01950	1	20
	10	18
114299-02030	1	22
114299-03640	2	40
114299-07100	10	2

Parts No.	Fig. No.	Ref. No.
114299-07110	10	3
114299-07160	10	6
114299-11901	2	12
114299-12300	3	10
114299-32070	5	33
114299-32570	5	7
	10	24
114299-35110	5	10
114299-35150	1	15
114299-45220	6	4
114299-45301	6	6
114299-45310	6	7
114299-45350	6	9
114299-55040	8	5
114299-55100	8	6
114299-55201	8	8
114299-55210	8	13
114299-55450	8	9
114299-55810	8	16
114299-61190	5	24
114299-61600	5	22
114299-66200	5	35
114299-92590	10	8
114299-92600	10	9
114299-92710	10	10
114299-92720	10	11
114299-92730	10	12
114299-92740	10	13
114310-45360	3	14
114350-11470	2	17
114351-77520	9	35
114362-77011	9	1
114371-77160	9	7
114371-77170	9	13
114371-77180	9	14
114371-79040	9	8
114371-79050	9	9
114371-79060	9	10
114371-79070	9	17
114381-77110	9	2
114381-77130	9	5
114381-77140	9	6
114381-77151	9	12
114399-45320	6	2
114399-45340	6	3
114399-76540	6	16
114399-76620	6	19
114399-77410	9	29
114399-77560	9	28
114399-77720	9	30

Parts No.	Fig. No.	Ref. No.
114399-78000	9	31
114399-78280	9	21
114399-78770	9	22
114399-78780	9	23
114650-02100	1	48
114650-02150	1	23
114650-02200	1	28
114650-02210	1	29
114650-07450	3	8
114650-11011	2	1
114650-11261	2	13
114650-11340	2	14
	10	21
114650-11652	2	19
114650-12520	3	2
114650-12590	3	5
114650-14402	4	8
114650-32010	5	1
114650-51300	7	10
114650-53000	7	22
114650-53300	7	30
114650-55150	8	7
114650-59060	8	27
114650-59801	8	30
114650-66600	5	25
114652-59100	8	25
114652-59300	8	24
114652-59310	8	28
114674-13511	3	22
114674-13551	3	21
114699-01050	1	1
114699-01200	1	6
114699-01210	1	7
114699-01220	1	30
114699-01230	1	31
114699-01250	1	8
114699-01330	1	32
	10	15
114699-01380	1	9
	10	16
114699-01410	1	44
	10	17
114699-01450	1	45
114699-01760	1	18
114699-11100	2	6
114699-11110	2	7
114699-11120	2	8
114699-11320	2	33
	10	23
114699-11600	2	18

Parts No.	Fig. No.	Ref. No.
114699-11950	2	35
114699-12020	3	11
114699-12200	3	20
	10	27
114699-12210	3	19
	10	26
114699-13200	3	15
	10	28
114699-13720	3	26
114699-14200	4	6
114699-21220	4	17
114699-21550	4	18
114699-21600	4	59
114699-21630	4	62
114699-22300	4	28
114699-45100	6	28
114699-45210	6	1
114699-45331	6	8
114699-55230	8	12
114699-59850	8	31
114699-61210	5	37
114699-66010	5	34
114699-76251	6	11
114699-76510	6	12
114699-76521	6	13
114699-76531	6	15
114699-76551	6	17
114699-76560	6	18
114699-76592	6	25
114699-76630	6	20
114699-76650	6	21
114699-76660	6	22
114699-76670	6	23
114699-76680	6	24
114770-61610	5	23
114771-14260	4	7
114780-59010	8	21
114780-59060	8	23
114780-61090	5	31
114970-13710	3	24
114970-51100	7	4
114973-13710	3	25
114980-12510	3	1
114980-12530	3	3
119620-11180	2	9
121750-59890	8	29
124060-23100	4	33
124195-77770	9	16
124298-77020	9	15
124550-51350	7	15

Parts No. Index

Parts No.	Fig. No.	Ref. No.
124722-59050	8	26
129792-22400	4	29
160310-14550	4	66
160710-78710	9	24
183250-39450	1	50
183250-66070	5	43
183250-66100	5	44
183382-13700	3	23
22117-080000	8	17
22190-160002	1	21
	10	20
22312-030160	2	42
	5	8
22322-030200	5	19
		20
22351-020006	7	19
22351-030008	7	20
22351-040008	2	29
22451-060000	5	32
22512-050140	4	19
22512-070360	4	64
23080-014000	8	22
23414-080000	8	4
24101-062030	4	42
24101-063030	4	63
24162-152112	1	24
24341-000150	8	15
24341-000224	5	12
	10	25
24423-355008	1	25
		26
26023-040102	9	32
26106-060082	6	26
26106-060122	5	9
	6	27
	9	25
		33
26106-060142	5	53
26106-060162	5	13
	8	20
26106-060202	6	5
	9	26
		34
26106-060252	3	12
26106-060452	5	52
26106-060702	2	34
26106-080122	1	27
26106-080202	3	16
	4	65
26106-080352	1	16

Parts No.	Fig. No.	Ref. No.
26106-080452	8	18
26106-100302	9	19
26106-100552	2	30
26216-080182	3	17
26226-060142	3	13
26226-060182	1	12
26226-060222	1	13
26226-060502	2	31
26366-060002	1	14
	2	32
	8	19
26366-080002	3	18
26577-060142	9	27
26696-100002	5	50
26716-080002	9	20
26757-060002	5	51
26776-100002	5	30
26856-060002	2	22
		27
27310-070001	2	10
714650-23600	4	35
714650-23610	4	55
714650-23620	4	57
714650-53100	7	21
714660-21710	4	9
714670-11660	2	23
714699-14580	4	1
714699-23700	4	30
714699-55700	8	1
714699-61500	5	14
714699-61701	5	36
714970-22500	4	22
714970-22540	4	45
714970-22550	4	51
714970-28511	4	37
714970-51700	7	1
714980-22581	4	49
714980-22621	4	43
714980-22721	4	20
714999-92600	10	14
X2114274200	9	18
X2114715500	9	4
X2114811000	9	3
X211485016	9	11

Parts No.	Fig. No.	Ref. No.
-----------	----------	----------

Parts No.	Fig. No.	Ref. No.
-----------	----------	----------