

0CV10-M49900EN

# PREFACE

1.This Parts Catalog carries all parts incorporated in YANMAR Model L70AE - DIC, L70AE - DEIC & L100AE - DEIC engines manufactured since DECEMBER, 1996.

2.Each illustration corresponds to the parts list on the following page.

3.When ordering parts, clearly write down the engine model and serial number, as well as the name and number of each part in your order sheet. This will help insure reliable delivery of the parts you have ordered.

## Directions for the Parts Catalog.

1. The parts stipulated in this Parts Catalog are not necessarily standard equipped parts.
2. Parts may change without prior notice.
3. The following is an example of the Parts Catalog format.

REF.	LEV.	PARTS NO.	DESCRIPTION	Q'TY						I	R
				(A)	(B)	(C)	(D)	(E)	(F)		
1	1	729595-51390	FUEL INJECTION PUMP	1	1	1	1	1			1
1-1	1	729595-51391	FUEL INJECTION PUMP	1	1	1	1	1		N	1
		(A=E00185) (B=E00200)									
3	2	26022-060162	SCREW M 6X 16	9	9	9	9	9			
3-1	2	26022-060162	SCREW M 6X 16	4	4	4	4	4		K	
		(A=E00156) (B=E00156) (C=E00156) (D=E00156) (E=E00156)									
4	2	129470-51040	CAMSHAFT	1	1	1	1	1			
5	2	122710-51050	BEARING, ROLLER	2	2	2	2	2			
6	2	129470-51060	RETAINER	1	1	1	1	1			

Remarks
(1) BOOST COMPEMSATOR TYPE. OPTIONAL PART, TO E00155,(4JH-DT, 4JH-DTZ

### ① Ref. No.

The Ref. No. listed may not be in accordance with the illustration Ref. No.

(Ex.) Illustration No.

List Ref No.

1 1 (Before change) → 1-1 (After change)

For interchangeable symbols N, R and K, illustrations for new parts may be abbreviated.

### ② Lev. (Level)

Level indication

The numbers below indicate the level of relativity towards the main part.

1 ---- Main parts (Assembly parts)

2 ---- Sub component included in " 1 ".

3 ---- Sub component included in " 2 ".

Note) Parts that are not for sale are partially illustrated but not listed.

### ③ Interchangeability Mark

When a part change takes place, one of the following interchangeability symbols is indicated beside the part.

Symbol	Interchangeability	Contents note
N	Old $\begin{matrix} \leftarrow \text{Yes} \\ \text{No} \rightarrow \end{matrix}$ New	New Part is interchangeable for Old Part but Old Part is not interchangeable for New Part.
Q	Old $\begin{matrix} \leftarrow \text{No} \\ \text{Yes} \rightarrow \end{matrix}$ New	New Part is not interchangeable for Old Part but Old Part is interchangeable for New Part.
R	Old $\begin{matrix} \leftarrow \text{Yes} \\ \text{Yes} \rightarrow \end{matrix}$ New	New/ Old Parts are both interchangeable.
S	Old $\begin{matrix} \leftarrow \text{No} \\ \text{No} \rightarrow \end{matrix}$ New	New/ Old Parts are both not interchangeable.
W		Part newly added.
Z		Part discontinued.
F		Not interchangeable by a single part but interchangeable together with related parts.
K		Changes only for used parts quantities.

### ④ Effective Machine No.

When a part changes, the effective Machine No. will be indicated in the (A)-(F) column.

Product Symbol	Product No.	Product Symbol	Product No.
C	Clutch No. Compressor No.	F	Machine No. (Agricultural Equip.)
D	Drive No.	M	Machine No.
E	Engine No.		

Note 1) A date may follow the symbol. (Ex.) 1996.01

Note 2) "XXXXX" and "ZZZZZ" are for parts that could not be predicted or for engine models that could not be identified.

Note 3) (A=E00185) is the E (Engine Serial Number) for the column (A) model (in this case 4JH-DT) after the parts design change.

### ⑤ Remarks Mark

Figures or alphabets (symbols) are entered in the remarks column.

The comments (remarks) on parts that are indicated at the bottom of the illustration are the same symbols as those stated above.

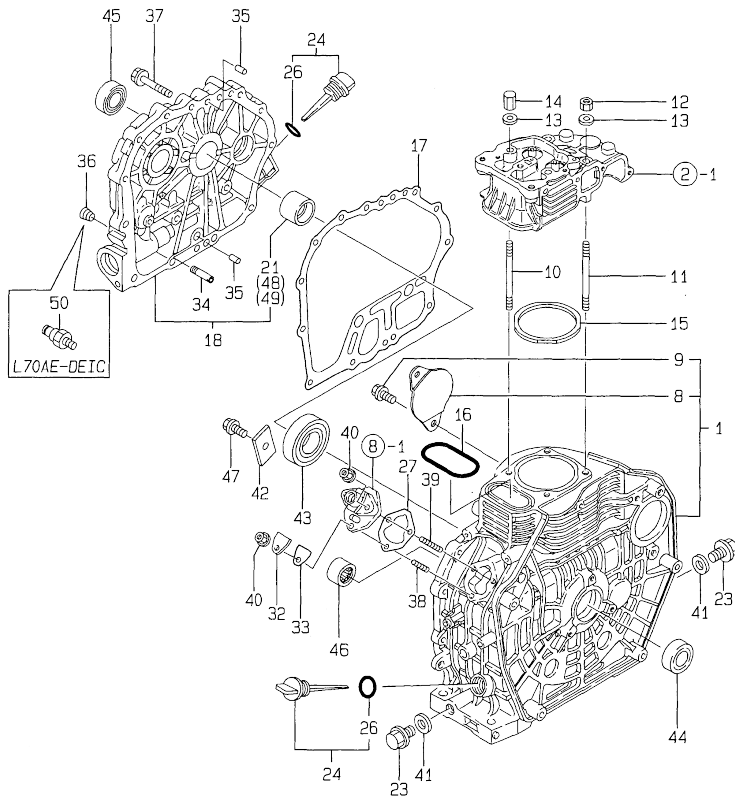
## Contents

0CV10-M49900

Fig. No.	Fig. Name	Fig. No.	Fig. Name
ENGINE			
1.	CYLINDER BLOCK		
2.	CYLINDER HEAD & BONNET		
3.	AIR CLEANER		
4.	MUFFLER		
5.	CRANKSHAFT, PISTON & CAMSHAFT		
6.	LUB. OIL PUMP & GOVERNOR		
7.	COOLING & STARTING DEVICE		
8.	FUEL INJECTION PUMP		
9.	FUEL TANK & FUEL PIPE		
10.	STARTER MOTOR & DYNAMO		
11.	TOOL, LABEL & GASKET SET		
12.	CYLINDER BLOCK		
13.	CYLINDER HEAD & BONNET		
14.	AIR CLEANER		
15.	MUFFLER		
16.	CRANKSHAFT, PISTON & CAMSHAFT		
17.	LUB. OIL PUMP & GOVERNOR		
18.	COOLING & STARTING DEVICE		
19.	FUEL INJECTION PUMP		
20.	FUEL TANK & FUEL PIPE		
21.	STARTER MOTOR & DYNAMO		
22.	TOOL, LABEL & GASKET SET		

Fig.1. CYLINDER BLOCK

1. CYLINDER BLOCK



(A)=L70AE-DIC  
(B)=L70AE-DEIC  
(C)=L100AE-DEIC

(D)=  
(E)=  
(F)=

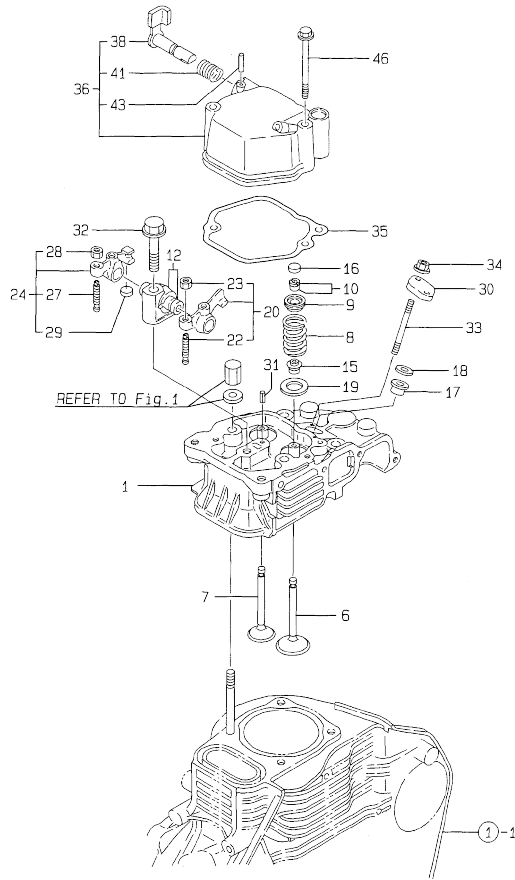
No.	Lev.	Parts No.	Description	Q'ty						I	R
				(A)	(B)	(C)	(D)	(E)	(F)		
1	1	714871-01560	BLOCK ASSY, CYLINDER	1	1						
8	2	114350-01700	COVER, STARTER	1	1						
9	2	26106-100122	BOLT, M10X 12 PLATED	2	2						
10	1	114350-01200	BOLT, HEAD A	2	2						
11	1	114350-01210	BOLT, HEAD B	2	2						
12	1	114350-01220	NUT, HEAD M9	2	2						
13	1	105225-01240	WASHER, HEAD BOLT	4	4						
14	1	114350-01250	NUT, HEAD M9	2	2						
15	1	114870-01340	GASKET, HEAD	1	1						G
16	1	114350-01380	O-RING, TAPPET	1	1						G
17	1	114350-01412	GASKET, CRANK CASE	1	1						G
18	1	114368-01453	COVER, CRANK CASE	1	1						
21	2	114350-02100	METAL, MAIN	1	1						1
23	1	105425-01690	PLUG, DRAIN M16	2	2						
24	1	160910-01740	CAP ASSY, OIL SUPPLY	2	2						
26	2	24311-000180	O-RING, 1AP18.0	2	2						G
27	1	114250-01800	SHIM SET, PUMP	1	1						
32	1	114250-01830	COVER, CHECK HOLE	1	1						
33	1	114250-01841	GASKET, COVER	1	1						G
34	1	114250-35150	PIPE, OIL INLET	1	1						
35	1	114270-01600	PIN, PARALLEL M8X12	2	2						
36	1	23871-010000	PLUG, R01	1	1						
37	1	26106-080352	BOLT, M8X 35 PLATED	15	15						
38	1	26226-060182	STUD, M6X 18	1	1						
39	1	26226-060222	STUD, M6X 22	2	2						
40	1	26366-060002	NUT, M6	3	3						
41	1	22190-160002	WASHER, SEAL 16	2	2						G
42	1	114250-02030	RETAINER, BEARING	1	1						
43	1	114350-02113	BEARING, B35-135G3C3	1	1						
44	1	160110-02220	SEAL, OIL 30X45X8	1	1						
45	1	160110-02220	SEAL, OIL 30X45X8	1	1						
46	1	24162-152112	BEARING, 152112	1	1						
47	1	26106-080122	BOLT, M8X 12 PLATED	1	1						
48	1	114350-02200	METAL, MAIN 0.25 US	1	1						2
49	1	114350-02210	METAL, MAIN 0.50 US	1	1						2
50	1	183250-39450	SWITCH, PRESSURE	1	1						

Remarks

- (1) Spare parts.
- (2) Under-sized parts.
- (G) These parts are sold by Fig.11 No.14.

Fig.2. CYLINDER HEAD & BONNET

2. CYLINDER HEAD & BONNET



(A)=L70AE-DIC  
(B)=L70AE-DEIC  
(C)=L100AE-DEIC

(D)=  
(E)=  
(F)=

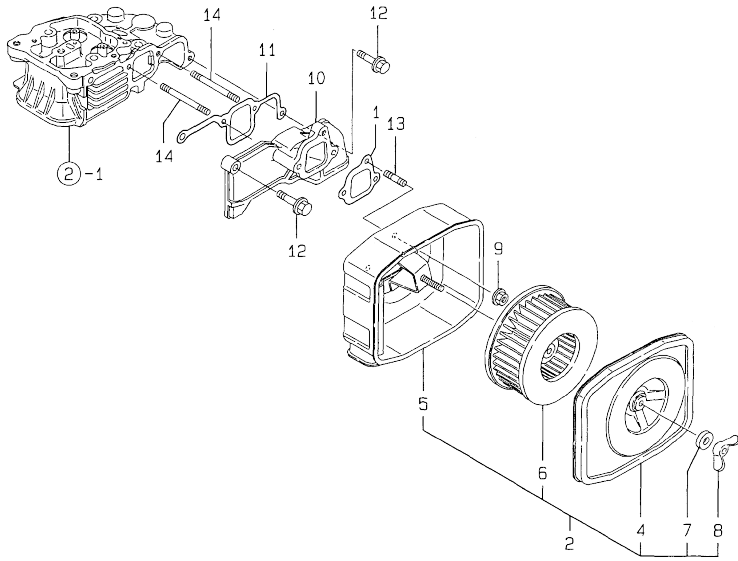
No.	Lev.	Parts No.	Description	Q'ty						I	R
				(A)	(B)	(C)	(D)	(E)	(F)		
1	1	114870-11021	HEAD ASSY, CYLINDER	1	1						
6	1	114350-11101	VALVE, INTAKE	1	1						
7	1	114350-11113	VALVE, EXHAUST	1	1						
8	1	114350-11120	SPRING, VALVE	2	2						
9	1	101158-11180	RETAINER, SPRING	2	2						
10	1	27310-060001	COTTER, 6	2	2						
12	1	114250-11290	SUPPORT ASSY, ROCKER	1	1						
15	1	114350-11340	SEAL, VALVE STEM	2	2						G
16	1	105010-11490	CAP, VALVE	1	1						
17	1	114250-11460	GASKET, NOZZLE	1	1						G
18	1	114350-11470	SPACER, NOZZLE	1	1						
19	1	114250-11600	WASHER, VALVE SPRING	2	2						
20	1	114250-11651	ARM ASSY, ROCKER	1	1						
22	2	114250-11240	SCREW, VALVE ADJUST	1	1						
23	2	26756-060002	NUT, LOCK M6	1	1						
24	1	714370-11660	ARM ASSY, ROCKER EXH	1	1						
27	2	114250-11240	SCREW, VALVE ADJUST	1	1						
28	2	26756-060002	NUT, LOCK M6	1	1						
29	2	105010-11490	CAP, VALVE	1	1						
30	1	114250-11900	RETAINER, NOZZLE	1	1						
31	1	22351-040008	PIN, SPRING 4.0X 8	1	1						
32	1	26106-080452	BOLT, M8X 45 PLATED	1	1						
33	1	26226-060502	STUD, M6X 50	2	2						
34	1	26366-060002	NUT, M6	2	2						
35	1	114250-11311	GASKET, BONNET	1	1						G
36	1	114250-11951	BONNET ASSY, HEAD	1	1						
38	2	114250-03591	LEVER ASSY, DECOMP	1	1						
41	2	114250-03640	SPRING, DECOMPRESSION	1	1						
43	2	22312-030160	PIN, PARALLEL M3X16	1	1						
46	1	26106-060552	BOLT, M6X 55 PLATED	1	1						

Remarks

(G)These parts are sold by Fig.11 No.14.

Fig.3. AIR CLEANER

3. AIR CLEANER



(A)=L70AE-DIC  
(B)=L70AE-DEIC  
(C)=L100AE-DEIC

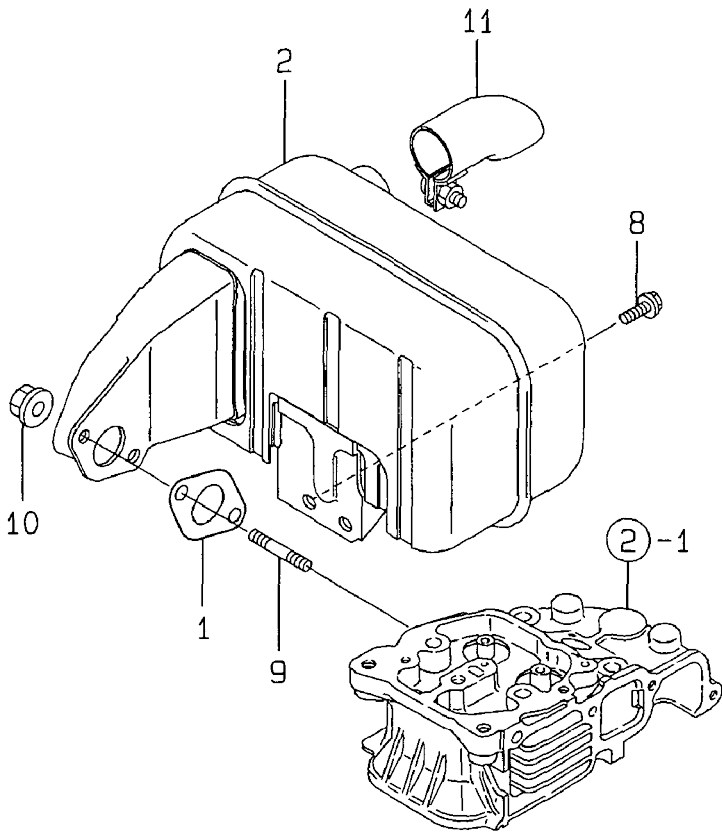
(D)=  
(E)=  
(F)=

No.	Lev.	Parts No.	Description	Q'ty						I	R	
				(A)	(B)	(C)	(D)	(E)	(F)			
1	1	114250-12211	GASKET, AIR CLEANER	1	1							
2	1	714250-12560	CLEANER ASSY, AIR	1	1							G
4	2	114250-12520	COVER, AIR CLEANER	1	1							
5	2	114250-12530	CASE ASSY, CLEANER	1	1							
6	2	114250-12580	ELEMENT	1	1							
7	2	114250-12560	WASHER, SEAL M6	1	1							
8	2	114250-12550	NUT, WING M6	1	1							
9	1	26366-060002	NUT, M6	3	3							
10	1	114350-12011	PIPE, AIR INTAKE A	1	1							
11	1	114350-12202	GASKET, AIR INTAKE	1	1							G
12	1	26106-060252	BOLT, M6X 25 PLATED	2	2							
13	1	26226-060142	STUD, M6X 14	1	1							
14	1	26226-060552	STUD, M6X 55	2	2							

Remarks

(G)These parts are sold by Fig.11 No.14.

# 4. MUFFLER



(A)=L70AE-DIC  
 (B)=L70AE-DEIC  
 (C)=L100AE-DEIC

(D)=  
 (E)=  
 (F)=

No.	Lev.	Parts No.	Description	Q'ty						I	R
				(A)	(B)	(C)	(D)	(E)	(F)		
1	1	114250-13201	GASKET, MUFFLER	1	1						
2	1	114870-13551	MUFFLER ASSY	1	1						G
8	1	26106-060122	BOLT, M6X 12 PLATED	2	2						
9	1	26216-080182	STUD, M8X 18	2	2						
10	1	26366-080002	NUT, M8	2	2						
11	1	114268-13800	PIPE, MUFFLER	1	1						

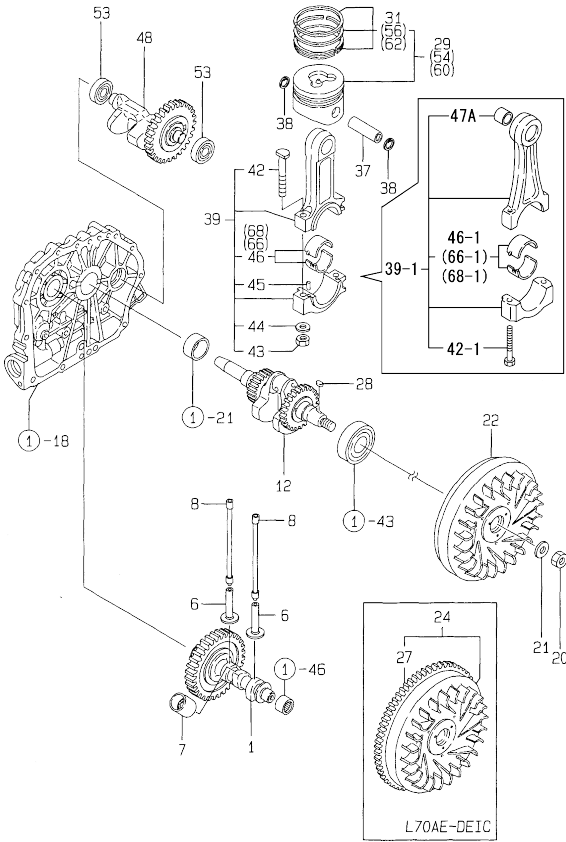
Remarks  
 (G)These parts are sold by Fig.11 No.14.

N:Old  $\frac{100}{100}$  New, Q:Old  $\frac{100}{100}$  New, R:Old  $\frac{100}{100}$  New, S:Old  $\frac{100}{100}$  New, W:Add, Z:Discontinued, F:Interchangeable by set, K:Q'ty Change  
 Copyright (C) YANMAR CO., LTD. All Rights Reserved.



Fig.5. CRANKSHAFT, PISTON & CAMSHAFT

5. CRANKSHAFT, PISTON & CAMSHAFT



(A)=L70AE-DIC  
(B)=L70AE-DEIC  
(C)=L100AE-DEIC

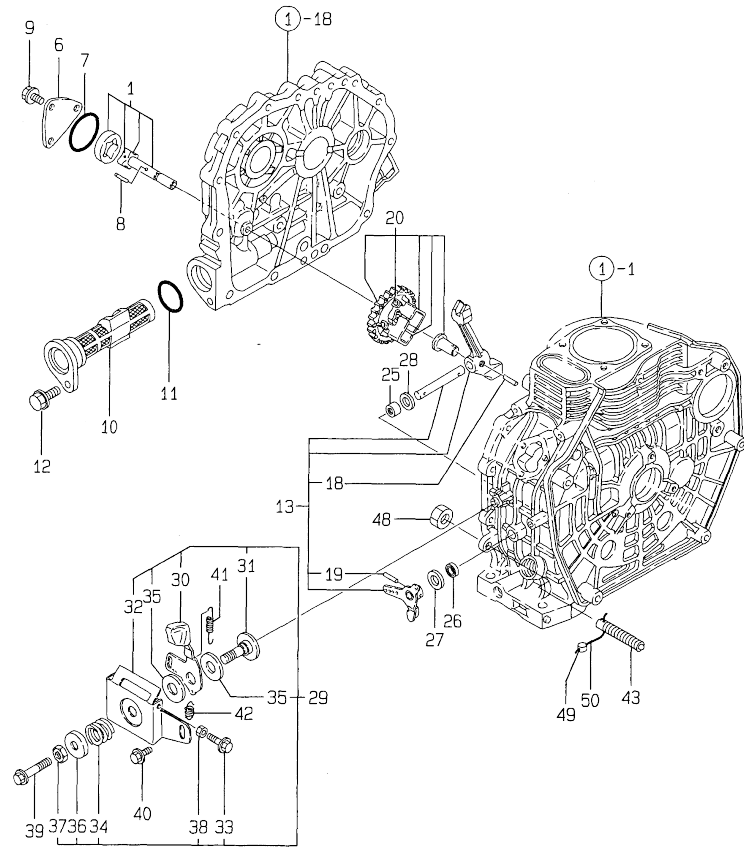
(D)=  
(E)=  
(F)=

No.	Lev.	Parts No.	Description	Qty						I	R
				(A)	(B)	(C)	(D)	(E)	(F)		
1	1	714880-14580	CAMSHAFT ASSY	1	1						
6	1	114250-14200	TAPPET	2	2						
7	1	114250-14260	TAPPET	1	1						
8	1	114350-14450	ROD ASSY, PUSH	2	2						
12	1	714388-21730	CRANKSHAFT ASSY	1	1						
12-1	1	714388-21711	CRANKSHAFT ASSY	1	1						F 3
		(A=*1998.11.) (B=*1998.11.)									
20	1	103854-01221	NUT, HEAD M16X15	1	1						
21	1	114250-21550	WASHER, FLYWHEEL	1	1						
22	1	114880-21400	FLYWHEEL	1							
24	1	114881-21590	FLYWHEEL ASSY		1						
27	2	114362-21600	GEAR, RING D		1						
28	1	22512-040120	KEY, 4X 12	1	1						
29	1	714880-22720	PISTON ASSY, D	1	1						
31	2	714870-22500	RING SET, PISTON	1	1						
37	1	114350-22301	PIN, PISTON D=21	1	1						
38	1	22252-000210	RING, 21	2	2						
39	1	714350-23704	ROD ASSY, CONNECTING	1	1						
39-1	1	714380-23700	ROD ASSY, CONNECTING	1	1						F 3
		(A=*1998.11.) (B=*1998.11.)									
42	2	114250-23200	BOLT, CONNECTING ROD	2	2						
42-1	2	118200-23200	BOLT, CONNECTING ROD	2	2						S
		(A=*1998.11.) (B=*1998.11.)									
43	2	114250-23220	NUT, CONNECTING ROD	2	2						Z
		(A=*1998.11.) (B=*1998.11.)									
44	2	114250-23250	WASHER, ROD BOLT	2	2						Z
		(A=*1998.11.) (B=*1998.11.)									
45	2	22312-030080	PIN, PARALLEL M3X 8	2	2						Z
		(A=*1998.11.) (B=*1998.11.)									
46	2	714350-23600	METAL ASSY, CRANK PIN	1	1						
46-1	2	714380-23600	METAL ASSY, CRANK PIN	1	1						S
		(A=*1998.11.) (B=*1998.11.)									
47A	2	114380-23100	BEARING, PISTON PIN	1	1						W
		(A=*1998.11.) (B=*1998.11.)									
48	1	714350-28520	SHAFT ASSY, BALANCER	1	1						
48-1	1	714870-28510	SHAFT ASSY, BALANCER	1	1						F 3
		(A=*1998.11.) (B=*1998.11.)									
53	1	24101-062024	BEARING, BALL 6202	2	2						
54	1	714880-22620	PISTON ASSY, 0.25 OS	1	1						1
56	2	714870-22540	RING SET, 0.25 OS	1	1						1
60	1	714880-22580	PISTON ASSY, 0.50 OS	1	1						1
62	2	714870-22550	RING SET, 0.50 OS	1	1						1
66	1	714350-23610	METAL ASSY, PIN .25	1	1						2
66-1	1	714380-23610	METAL ASSY, PIN .25	1	1						S 2
		(A=*1998.11.) (B=*1998.11.)									
68	1	714350-23620	METAL ASSY, PIN .50	1	1						2
68-1	1	714380-23620	METAL ASSY, PIN .50	1	1						S 2
		(A=*1998.11.) (B=*1998.11.)									

Remarks  
(1)Over-sized parts.  
(2)Under-sized parts.  
(3)No.12-1, 39-1 & 48-1 interchangeable by set.

Fig.6. LUB. OIL PUMP & GOVERNOR

6. LUB. OIL PUMP & GOVERNOR



(A)=L70AE-DIC  
(B)=L70AE-DEIC  
(C)=L100AE-DEIC

(D)=  
(E)=  
(F)=

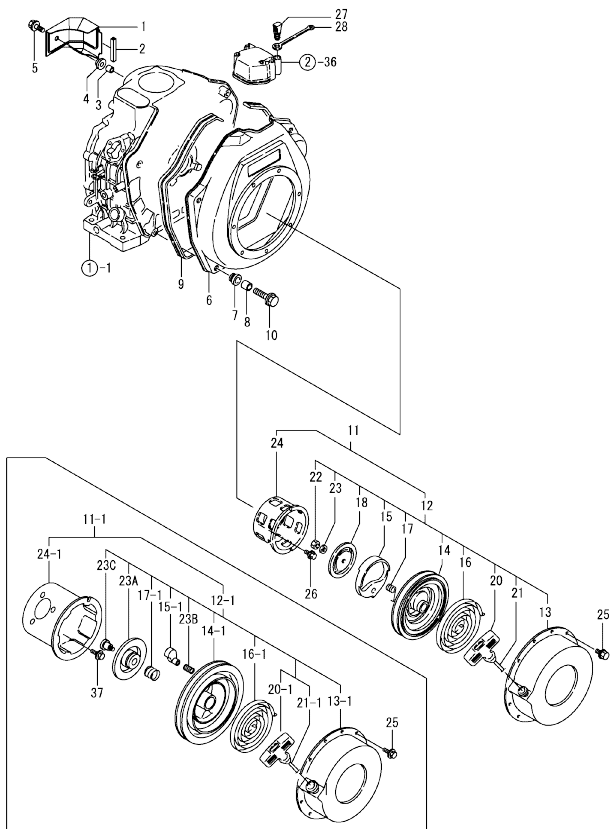
No.	Lev.	Parts No.	Description	Q'ty						I	R
				(A)	(B)	(C)	(D)	(E)	(F)		
1	1	114250-32010	PUMP ASSY, OIL	1	1						
6	1	114250-32070	COVER, OIL PUMP	1	1						
7	1	103338-32570	O-RING, PUMP COVER	1	1						G
8	1	22312-030160	PIN, PARALLEL M3X16	1	1						
9	1	26476-060142	SCREW, TAPPING M6X14	3	3						
10	1	114250-35070	FILTER, OIL	1	1						
11	1	24341-000224	O-RING, 1AS22.4	1	1						
12	1	26106-060162	BOLT, M6X 16 PLATED	1	1						
13	1	714350-61500	LEVER ASSY, GOVERNOR	1	1						
18	2	22322-030200	PIN, TAPER 3X20	1	1						
19	2	22322-030200	PIN, TAPER 3X20	1	1						
20	1	714770-61700	GOVERNOR ASSY	1	1						
25	1	114270-61520	BEARING, NEEDLE 8	2	2						
26	1	114770-61600	SEAL, OIL	1	1						
27	1	114770-61610	WASHER, THRUST	1	1						
28	1	114770-61190	WASHER, GOVERNOR	1	1						
29	1	183250-66500	BRACKET ASSY, HANDLE	1	1						
30	2	183250-66050	HANDLE, REGULATOR	1	1						
31	2	183250-66070	SHAFT, HANDLE	1	1						
32	2	183250-66100	BRACKET, RADIATOR	1	1						
33	2	114250-66440	BOLT, ADJUSTER	1	1						
34	2	104200-66820	SPRING, HANDLE	1	1						
35	2	104200-66830	PLATE, FRICTION	2	2						
36	2	104200-66850	WASHER, B	1	1						
37	2	26696-100002	NUT, LOCK M10	1	1						
38	2	26757-060002	NUT, LOCK M6	1	1						
39	1	26106-060452	BOLT, M6X 45 PLATED	1	1						
40	1	26476-060142	SCREW, TAPPING M6X14	1	1						
41	1	114870-66010	SPRING, REGULATOR	1	1						
42	1	114250-66200	SPRING, RETURN	1	1						
43	1	114250-66550	LIMITER ASSY, FUEL	1	1						
48	1	26696-100002	NUT, LOCK M10	1	1						
49	1	135210-61090	LEAD	2	2						
50	1	22451-060000	WIRE, 0.6	2	2						

Remarks

(G)These parts are sold by Fig.11 No.14.

Fig.7. COOLING & STARTING DEVICE

7. COOLING & STARTING DEVICE



(A)=L70AE-DIC  
(B)=L70AE-DEIC  
(C)=L100AE-DEIC

(D)=  
(E)=  
(F)=

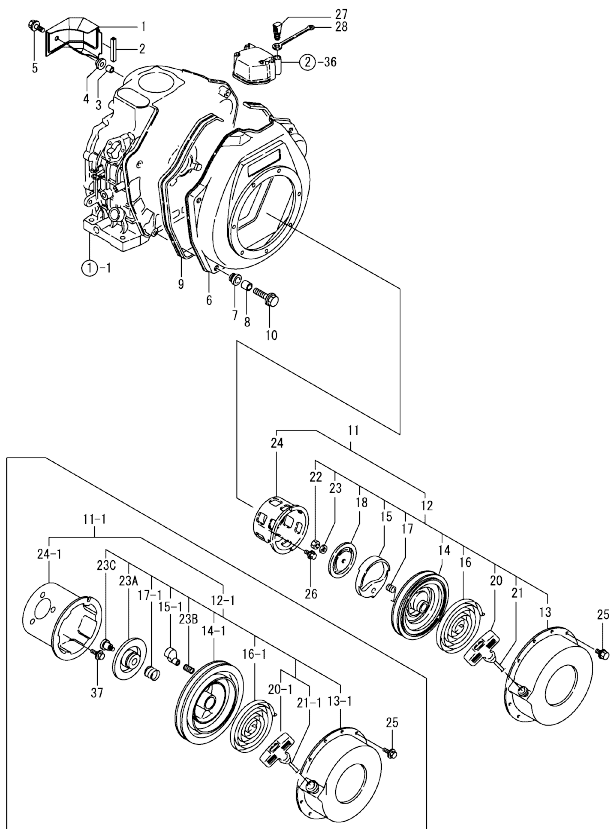
No.	Lev.	Parts No.	Description	Q'ty						I	R
				(A)	(B)	(C)	(D)	(E)	(F)		
1	1	114870-45201	COVER, CYLINDER	1	1						
2	1	114350-45320	SEAL, RUBBER	1	1						
3	1	114350-45340	COLLAR, COVER	1	1						
4	1	183720-55210	GROMMET, TANK	1	1						
5	1	26476-060202	SCREW, TAPPING M6X20	1	1						
6	1	114360-45101	CASE, COOLING FAN	1	1						
7	1	114250-45300	RUBBER, FAN CASE	4	4						
8	1	114250-45310	COLLAR, FAN CASE	4	4						
9	1	114250-45330	SEAL, FAN CASE L=875	1	1						
10	1	114370-45350	BOLT, FAN CASE	4	4						
11	1	114880-76050	STARTER ASSY, RECOIL	1	1						R
11-1	1	114880-76051	STARTER ASSY, RECOIL	1	1						1
		(A=EZZZZZ) (B=EZZZZZ)									
12	2	114880-76250	STARTER ASSY, RECOIL	1	1						S
12-1	2	114880-76251	STARTER ASSY, RECOIL	1	1						S
		(A=EZZZZZ) (B=EZZZZZ)									
13	3	114880-76510	CASE, STARTER	1	1						
13-1	3	114880-76511	CASE, STARTER	1	1						S
		(A=EZZZZZ) (B=EZZZZZ)									
14	3	160810-76520	REEL	1	1						
14-1	3	114880-76520	REEL, RECOIL STARTER	1	1						S
		(A=EZZZZZ) (B=EZZZZZ)									
15	3	160840-76530	RATCHET	1	1						
15-1	3	114870-76530	RATCHET	2	2						S
		(A=EZZZZZ) (B=EZZZZZ)									
16	3	160810-76540	SPRING, SPIRAL	1	1						
16-1	3	114870-76540	SPRING, SPIRAL	1	1						S
		(A=EZZZZZ) (B=EZZZZZ)									
17	3	160840-76560	SPRING, FRICTION	1	1						
17-1	3	114870-76560	SPRING, FRICTION	1	1						S
		(A=EZZZZZ) (B=EZZZZZ)									
18	3	160810-76580	PLATE, FRICTION	1	1						Z
		(A=EZZZZZ) (B=EZZZZZ)									
20	3	160810-76620	KNOB, STARTER	1	1						
20-1	4	114870-76620	KNOB, STARTER	1	1						S
		(A=EZZZZZ) (B=EZZZZZ)									
21	3	160810-76630	ROPE, STARTER	1	1						
21-1	4	114870-76630	ROPE, STARTER	1	1						S
		(A=EZZZZZ) (B=EZZZZZ)									
22	3	181130-76680	NUT, HEXAGON	1	1						Z
		(A=EZZZZZ) (B=EZZZZZ)									
23	3	181130-76700	WASHER, SPRING	1	1						Z
		(A=EZZZZZ) (B=EZZZZZ)									
23A	3	114880-76550	GUIDE, RATCHET	1	1						W
		(A=EZZZZZ) (B=EZZZZZ)									
23B	3	114870-76570	SPRING, RETURN	2	2						W
		(A=EZZZZZ) (B=EZZZZZ)									
23C	3	114870-76580	SCREW, SETTING	1	1						W
		(A=EZZZZZ) (B=EZZZZZ)									
24	2	114350-76590	PULLEY, STARTER	1	1						
24-1	2	114350-76591	PULLEY, STARTER	1	1						S

Remarks

(1) Interchangeable by simultaneous replacement with No.12-1 & 24-1.

Fig.7. COOLING & STARTING DEVICE

7. COOLING & STARTING DEVICE



(A)=L70AE-DIC  
(B)=L70AE-DEIC  
(C)=L100AE-DEIC

(D)=  
(E)=  
(F)=

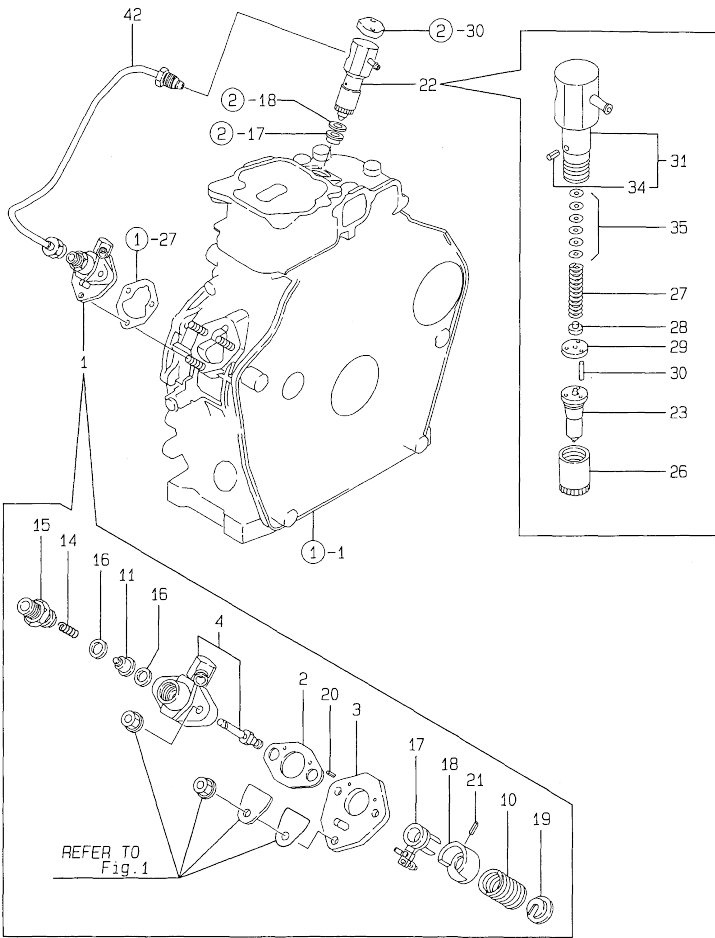
No.	Lev.	Parts No.	Description	Q'ty						
				(A)	(B)	(C)	(D)	(E)	(F)	
		(A=EZZZZZ)	(B=EZZZZZ)							
25	1	26106-060082	BOLT, M6X 8 PLATED	4	4					
26	1	26106-060122	BOLT, M6X 12 PLATED	3	3					
27	1	114250-76600	PLUNGER, START	1	1					
28	1	114250-76610	HOLDER, PLUNGER	1	1					

Remarks

(1)Interchangeable by simultaneous replacement with No.12-1 & 24-1.

Fig.8. FUEL INJECTION PUMP

8. FUEL INJECTION PUMP



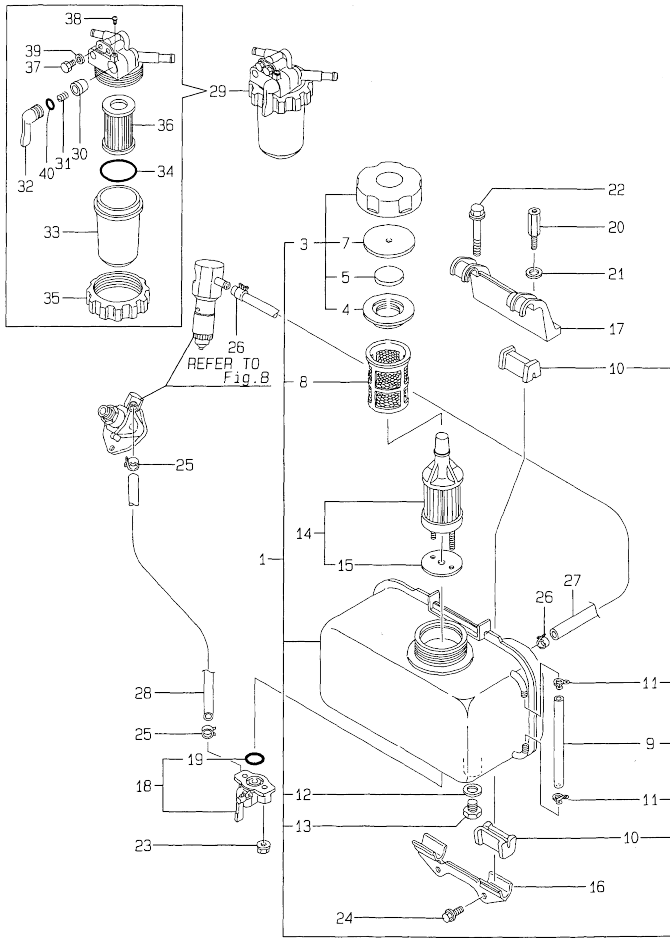
(A)=L70AE-DIC  
(B)=L70AE-DEIC  
(C)=L100AE-DEIC

(D)=  
(E)=  
(F)=

No.	Lev.	Parts No.	Description	Q'ty						
				(A)	(B)	(C)	(D)	(E)	(F)	
1	1	714870-51700	PUMP ASSY, INJECTION	1	1					
2	2	105546-51020	GASKET, PUMP BODY	1	1					
3	2	114250-51080	PLATE	1	1					
4	2	114350-51200	BODY ASSY, PUMP	1	1					
10	2	114250-51160	SPRING, PLUNGER	1	1					
11	2	114250-51300	VALVE ASSY, DELIVERY	1	1					
14	2	105546-51330	SPRING, DELIVERY	1	1					
15	2	114250-51340	HOLDER, DELIVERY	1	1					
16	2	124550-51350	GASKET, DELIVERY	2	2					
17	2	114250-51600	LEVER, CONTROL	1	1					
18	2	114250-51640	SEAT, SPRING A	1	1					
19	2	114250-51650	SEAT, SPRING B	1	1					
20	2	22351-020006	PIN, SPRING 2.0X 6	2	2					
21	2	22351-030008	PIN, SPRING 3.0X 8	1	1					
22	1	714870-53100	VALVE ASSY, INJECTION	1	1					
23	2	114870-53000	VALVE ASSY, INJECTION	1	1					
26	2	114250-53080	NUT, NOZZLE	1	1					
27	2	114250-53120	SPRING, NOZZLE	1	1					
28	2	114250-53130	SEAT, SPRING	1	1					
29	2	114250-53140	SPACER, VALVE STOP	1	1					
30	2	114250-53210	PIN, POSITIONING	2	2					
31	2	114250-53300	HOLDER ASSY, NOZZLE	1	1					
34	3	114250-53331	PIN, HOLDER	1	1					
35	2	114250-53400	SHIM SET	1	1					
42	1	114350-59800	PIPE ASSY, INJECTION	1	1					

Fig.9. FUEL TANK & FUEL PIPE

9. FUEL TANK & FUEL LINE



(A)=L70AE-DIC  
(B)=L70AE-DEIC  
(C)=L100AE-DEIC

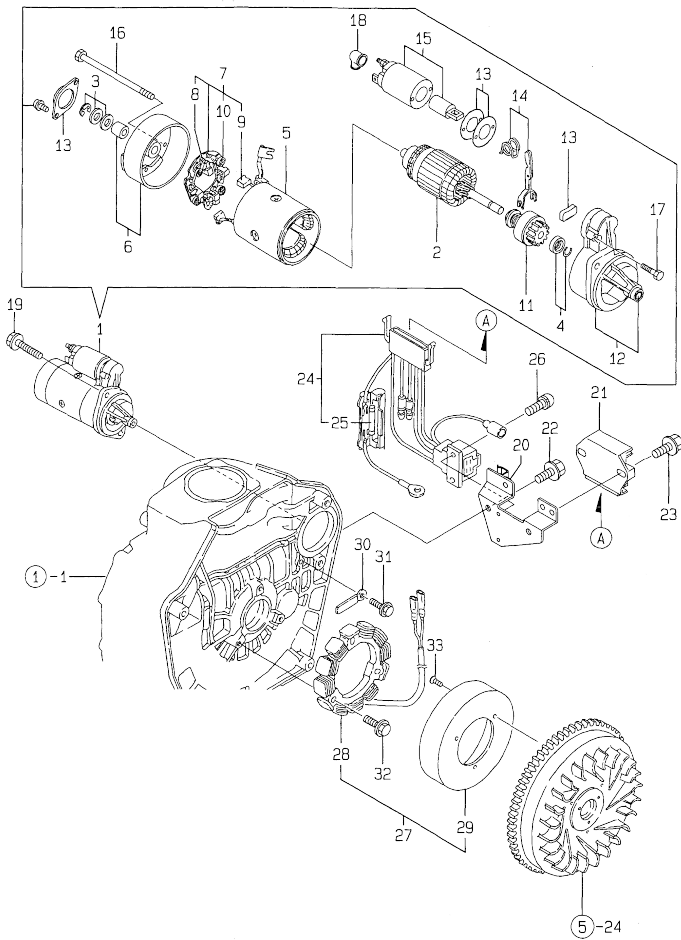
(D)=  
(E)=  
(F)=

No.	Lev.	Parts No.	Description	Qty						I	R
				(A)	(B)	(C)	(D)	(E)	(F)		
1	1	714350-55711	TANK ASSY, FUEL	1	1						
3	2	114250-55041	CAP ASSY, FUEL TANK	1	1						
4	3	114250-55050	GASKET, TANK CAP	1	1						
5	3	114250-55060	SEAL, FUEL CAP	1	1						
7	3	114250-55080	SEAT	1	1						
8	2	114250-55100	FILTER, FUEL INLET	1	1						
9	2	114350-55150	GAUGE, OIL LEVEL	1	1						
10	2	114250-55201	DAMPER, FUEL TANK	4	4						
11	2	124722-59050	CLAMP, HOSE 9	2	2						
12	2	23414-120000	GASKET, 12X1.0	1	1						
13	2	23887-120002	PLUG, 12	1	1						
14	1	114250-55121	FILTER ASSY, FUEL	1	1						
15	2	114250-55130	GASKET	1	1						
16	1	114250-55211	STAY, FUEL TANK A	1	1						
17	1	114350-55231	STAY, FUEL TANK B	1	1						
18	1	114250-55300	COCK ASSY, FUEL	1	1						
19	2	24341-000150	O-RING, 1AS15.0	1	1						
20	1	114650-55810	BOLT, LIFTING	1	1						
21	1	22117-080000	WASHER, 8	1	1						
22	1	26106-080452	BOLT, M8X 45 PLATED	1	1						
23	1	26366-060002	NUT, M6	2	2						
24	1	26476-060142	SCREW, TAPPING M6X14	2	2						
25	1	106990-44660	CLAMP, HOSE 12.5	2	2						
26	1	124722-59050	CLAMP, HOSE 9	2	2						
27	1	114250-59060	PIPE, FUEL RETURN	1	1						
28	1	114268-59060	PIPE, FUEL L=50	1	1						
29	1	114250-55500	FILTER ASSY, FUEL	1	1						
30	2	104200-55321	VALVE, TAPER	1	1						
31	2	104200-55330	SPRING, FUEL VALVE	1	1						
32	2	104200-55341	HANDLE, COCK	1	1						
33	2	104500-55510	CUP	1	1						
34	2	102103-55520	O-RING, FILTER	1	1						
35	2	110250-55610	RING, CUP RETAINING	1	1						
36	2	114250-55510	ELEMENT, FUEL FILTER	1	1						
37	2	101720-55750	PLUG, HEXAGON M6	2	2						
38	2	104200-55750	SCREW, M4	1	1						
39	2	23418-060000	GASKET, 6X1.0	2	2						
40	2	24311-240100	O-RING, 1AP10A	1	1						

N:Old  $\frac{New}{Old}$  New, Q:Old  $\frac{New}{Old}$  New, R:Old  $\frac{New}{Old}$  New, S:Old  $\frac{New}{Old}$  New, W:Add, Z:Discontinued, F:Interchangeable by set, K:Qty Change  
Copyright (C) YANMAR CO., LTD. All Rights Reserved.

Fig.10. STARTER MOTOR & DYNAMO

10. STARTING MOTOR & DYNAMO



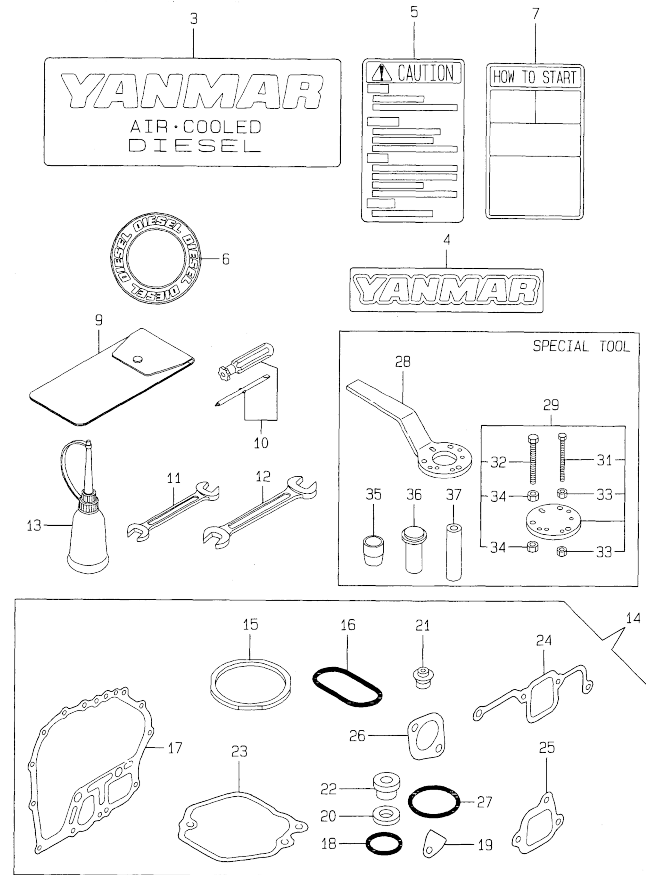
(A)=L70AE-DIC  
(B)=L70AE-DEIC  
(C)=L100AE-DEIC

(D)=  
(E)=  
(F)=

No.	Lev.	Parts No.	Description	Qty						I	R	
				(A)	(B)	(C)	(D)	(E)	(F)			
1	1	114362-77011	STARTER ASSY, D		1							
2	2	114381-77110	ARMATURE		1							
3	2	X2114811000	WASHER KIT, THRUST		1							
4	2	X2114715500	STOPPER SET, PINION		1							
5	2	114381-77130	COIL ASSY, FIELD		1							
6	2	114381-77140	COVER		1							
7	2	114371-77160	HOLDER ASSY, BRUSH		1							
8	3	114371-79040	BRUSH, -		2							
9	3	114371-79050	BRUSH SET, +		1							
10	3	114371-79060	SPRING, BRUSH		4							
11	2	X2114455080	PINION ASSY		1							
12	2	114381-77150	CASE ASSY, GEAR		1							
13	2	114371-77170	COVER KIT, DUST		1							
14	2	X2114560130	LEVER KIT, SHIFT		1							
15	2	X2114275010	SWITCH ASSY, MAGNET		1							
16	2	X2114680050	BOLT, THROUGH		2							
17	2	114371-79070	BOLT, M6		2							
18	2	X2114274200	COVER, TERMINAL		1							
19	1	26106-100302	BOLT, M10X 30 PLATED		2							
20	1	114385-77400	BRACKET, HARNESS		1							
21	1	119660-77710	CURRENT LIMITER, 15A		1							
22	1	26106-060122	BOLT, M6X 12 PLATED		2							
23	1	26106-060202	BOLT, M6X 20 PLATED		2							
24	1	114351-77540	HARNESS, WIRE SS		1							
25	2	29411-150000	FUSE, CARTRIDGE 15A		2							
26	1	114351-77550	SCREW, M4X6		2							
26-1	1	26023-040102	SCREW, M4X10		2							N
				(B=FROM 1ST)								
27	1	114351-78290	DYNAMO ASSY		1							
28	2	114351-78830	STATOR ASSY, 132.1MM		1							
29	2	114351-78840	WHEEL, DYNAMO		1							
30	1	160710-78710	CLAMP, CORD		1							
31	1	26476-060142	SCREW, TAPPING M6X14		1							
32	1	26476-060202	SCREW, TAPPING M6X20		3							
33	1	26577-060142	SCREW M 6X 14		3							

Fig.11. TOOL, LABEL & GASKET SET

11. TOOL, LABEL & GASKET SET



(A)=L70AE-DIC  
(B)=L70AE-DEIC  
(C)=L100AE-DEIC

(D)=  
(E)=  
(F)=

No.	Lev.	Parts No.	Description	Qty						I	R	
				(A)	(B)	(C)	(D)	(E)	(F)			
3	1	114250-07090	LABEL, YANMAR MARK A	1	1							
4	1	114250-07111	LABEL, YANMAR MARK	1	1							
5	1	114268-07240	LABEL, CAUTION	1	1							
6	1	114261-07350	LABEL, DIESEL	1	1							
7	1	114268-07350	LABEL, HOW TO START	1	1							
9	1	114250-92600	BAG, TOOL	1	1							
10	1	160330-92730	SCREW-DRIVER	1	1							
11	1	28110-100120	SPANNER, 10X12	1	1							
12	1	28110-140170	SPANNER, 14X17	1	1							
13	1	28210-000150	OILER	1	1							
14	1	714888-92600	GASKET SET	1	1							1
15	2	114870-01340	GASKET, HEAD	1	1							
16	2	114350-01380	O-RING, TAPPET	1	1							
17	2	114350-01412	GASKET, CRANK CASE	1	1							
18	2	24311-000180	O-RING, 1AP18.0	2	2							
19	2	114250-01841	GASKET, COVER	1	1							
20	2	22190-160002	WASHER, SEAL 16	2	2							
21	2	114350-11340	SEAL, VALVE STEM	2	2							
22	2	114250-11460	GASKET, NOZZLE	1	1							
23	2	114250-11311	GASKET, BONNET	1	1							
24	2	114350-12202	GASKET, AIR INTAKE	1	1							
25	2	114250-12211	GASKET, AIR CLEANER	1	1							
26	2	114250-13201	GASKET, MUFFLER	1	1							
27	2	103338-32570	O-RING, PUMP COVER	1	1							
28	1	114250-92101	HANDLE, FLYWHEEL	1	1							1
29	1	114250-92130	TOOL ASSY, FLYWHEEL	1	1							1
31	2	26116-060454	BOLT M 6X 45 PLATED	4	4							1
32	2	26116-080454	BOLT, M8X 45 PLATED	3	3							1
33	2	26716-060002	NUT, M6	8	8							1
34	2	26716-080002	NUT, M8	6	6							1
35	1	114368-92300	GUIDE, OIL SEAL	1	1							1
36	1	114350-92311	SEAL, OIL	1	1							1
37	1	114350-92350	TOOL, SEAL INSTALL	1	1							1

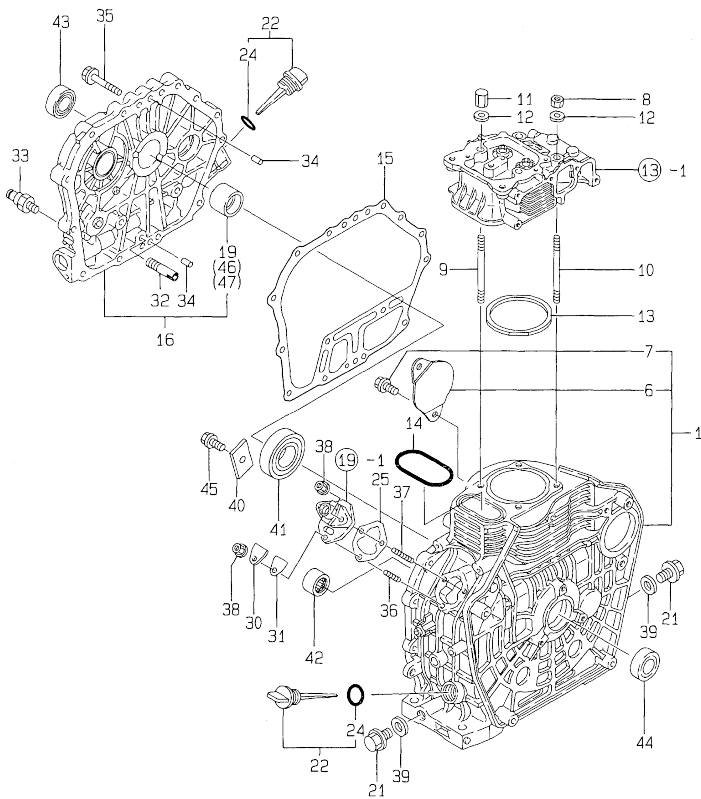
Remarks

(1)Optional parts.



Fig.12. CYLINDER BLOCK

12. CYLINDER BLOCK



(A)=L70AE-DIC  
(B)=L70AE-DEIC  
(C)=L100AE-DEIC

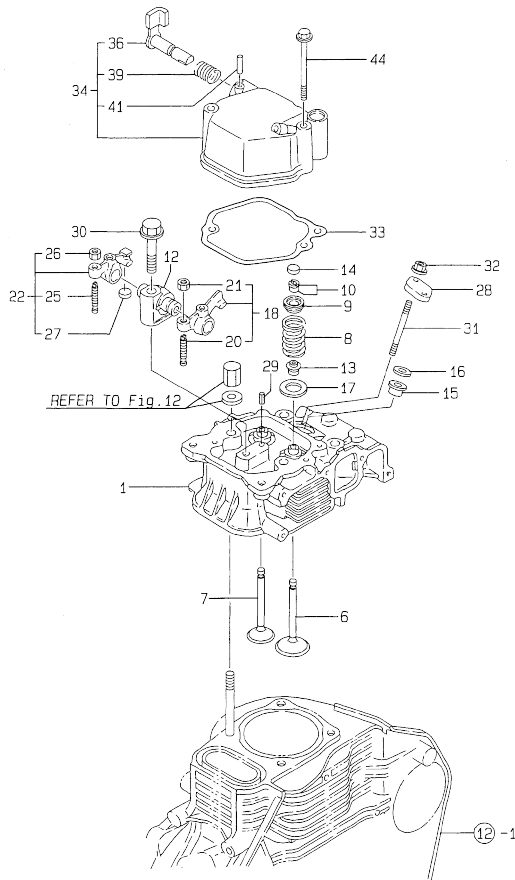
(D)=  
(E)=  
(F)=

No.	Lev.	Parts No.	Description	Q'ty						I	R	
				(A)	(B)	(C)	(D)	(E)	(F)			
1	1	714970-01560	BLOCK ASSY, CYLINDER									
6	2	114350-01700	COVER, STARTER									
7	2	26106-100122	BOLT, M10X 12 PLATED									
8	1	105025-01220	NUT, HEAD M10									
9	1	114650-01230	BOLT, HEAD A									
10	1	114650-01240	BOLT, HEAD B									
11	1	114650-01250	NUT, HEAD M10									
12	1	114650-01260	WASHER, HEAD BOLT									
13	1	114970-01340	GASKET, HEAD									G
14	1	114650-01380	O-RING, TAPPET									G
15	1	114650-01412	GASKET, CRANK CASE									G
16	1	114660-01471	COVER, CRANK CASE D									
19	2	114650-02100	METAL, MAIN									1
21	1	105425-01690	PLUG, DRAIN M16									
22	1	160910-01740	CAP ASSY, OIL SUPPLY									
24	2	24311-000180	O-RING, 1AP18.0									G
25	1	114250-01800	SHIM SET, PUMP									
30	1	114250-01830	COVER, CHECK HOLE									
31	1	114250-01841	GASKET, COVER									G
32	1	114250-35150	PIPE, OIL INLET									
33	1	183250-39450	SWITCH, PRESSURE									
34	1	114270-01600	PIN, PARALLEL M8X12									
35	1	26106-080352	BOLT, M8X 35 PLATED									
36	1	26226-060182	STUD, M6X 18									
37	1	26226-060222	STUD, M6X 22									
38	1	26366-060002	NUT, M6									
39	1	22190-160002	WASHER, SEAL 16									G
40	1	114250-02030	RETAINER, BEARING									
41	1	114650-02150	BEARING, HR6308G3C3									
42	1	24162-152112	BEARING, 152112									
43	1	24423-355008	SEAL, OIL TC355008									
44	1	24423-355008	SEAL, OIL TC355008									
45	1	26106-080122	BOLT, M8X 12 PLATED									
46	1	114650-02200	METAL, MAIN 0.25 US									2
47	1	114650-02210	METAL, MAIN 0.50 US									2

Remarks  
(1)Spare parts.  
(2)Under-sized parts.  
(G)These parts are sold by Fig.22 No.14.

Fig.13. CYLINDER HEAD & BONNET

13. CYLINDER HEAD & BONNET



(A)=L70AE-DIC  
(B)=L70AE-DEIC  
(C)=L100AE-DEIC

(D)=  
(E)=  
(F)=

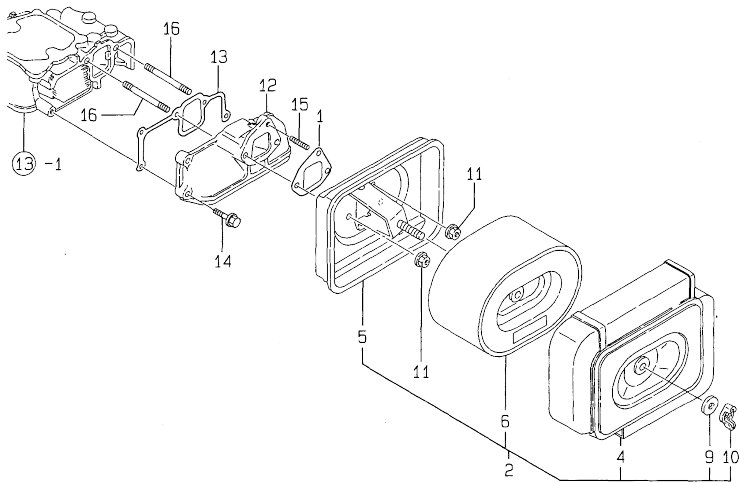
No.	Lev.	Parts No.	Description	Q'ty						I	R	
				(A)	(B)	(C)	(D)	(E)	(F)			
1	1	114650-11010	HEAD ASSY, CYLINDER									
6	1	114650-11100	VALVE, INTAKE									
7	1	114654-11110	VALVE, EXHAUST									
8	1	114650-11121	SPRING, VALVE									
9	1	119620-11180	RETAINER, SPRING									
10	1	27310-070001	COTTER, 7									
12	1	114650-11261	SUPPORT, ROCKER ARM									
13	1	114650-11340	SEAL, VALVE STEM									G
14	1	104211-11370	CAP, VALVE									
15	1	114250-11460	GASKET, NOZZLE									G
16	1	114350-11470	SPACER, NOZZLE									
17	1	114650-11600	WASHER, VALVE SPRING									
18	1	114650-11652	ARM ASSY, ROCKER									
20	2	114250-11240	SCREW, VALVE ADJUST									
21	2	26756-060002	NUT, LOCK M6									
22	1	714670-11660	ARM ASSY, ROCKER EXH									
25	2	114250-11240	SCREW, VALVE ADJUST									
26	2	26756-060002	NUT, LOCK M6									
27	2	104211-11370	CAP, VALVE									
28	1	114250-11900	RETAINER, NOZZLE									
29	1	22351-040008	PIN, SPRING 4.0X 8									
30	1	26106-100552	BOLT, M10X 55 PLATED									
31	1	26226-060502	STUD, M6X 50									
32	1	26366-060002	NUT, M6									
33	1	114650-11311	GASKET, BONNET									G
34	1	114650-11951	BONNET ASSY, HEAD									
36	2	114250-03591	LEVER ASSY, DECOMP									
39	2	114250-03640	SPRING, DECOMPRESSION									
41	2	22312-030160	PIN, PARALLEL M3X16									
44	1	26106-060702	BOLT, M6X 70 PLATED									

Remarks

(G)These parts are sold by Fig.22 No.14.

Fig.14. AIR CLEANER

14. AIR CLEANER



(A)=L70AE-DIC  
(B)=L70AE-DEIC  
(C)=L100AE-DEIC

(D)=  
(E)=  
(F)=

No.	Lev.	Parts No.	Description	Q'ty						I	R
				(A)	(B)	(C)	(D)	(E)	(F)		
1	1	114650-12211	GASKET, AIR CLEANER			1					G
2	1	714650-12560	CLEANER ASSY, AIR			1					
4	2	114650-12520	COVER, AIR CLEANER			1					
5	2	114650-12530	CASE ASSY, CLEANER			1					
6	2	114650-12590	ELEMENT ASSY, AIR			1					
9	2	114252-12560	WASHER, SEAL M8			1					
10	2	114252-12550	NUT, WING M8			1					
11	1	26366-060002	NUT, M6			3					
12	1	114650-12020	PIPE, AIR INTAKE A			1					
13	1	114650-12301	GASKET, INTAKE PIPE			1					G
14	1	26106-060252	BOLT, M6X 25 PLATED			3					
15	1	26226-060142	STUD, M6X 14			1					
16	1	26226-060752	STUD, M6X 75			2					

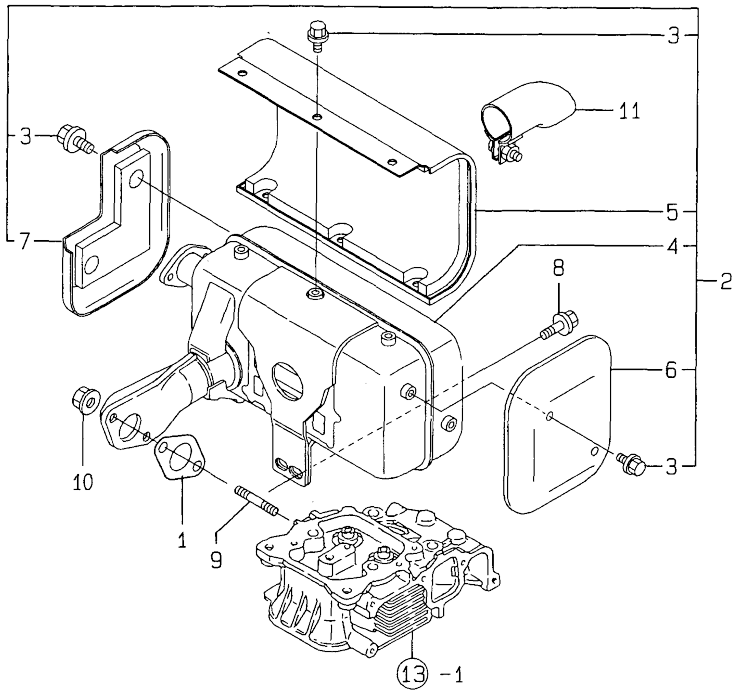
Remarks

(G)These parts are sold by Fig.22 No.14.

OCV10-M49900 ENGINE  
 Fig.15. MUFLER

OCV10-M49900 Fig.15

15. MUFLER



(A)=L70AE-DIC  
 (B)=L70AE-DEIC  
 (C)=L100AE-DEIC

(D)=  
 (E)=  
 (F)=

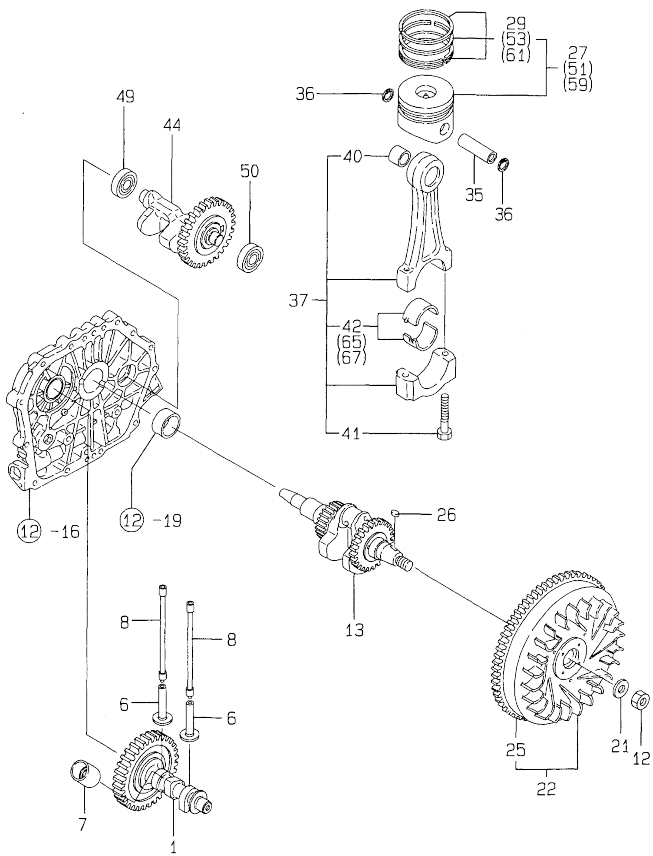
No.	Lev.	Parts No.	Description	Q'ty						I	R	
				(A)	(B)	(C)	(D)	(E)	(F)			
1	1	114650-13201	GASKET, MUFLER				1					
2	1	114973-13550	MUFLER ASSY				1					G
3	2	160260-01580	BOLT, FLANGE M6X6				10					
4	2	114973-13560	MUFLER				1					
5	2	183382-13700	COVER, MUFLER A				1					
6	2	114970-13710	COVER, MUFLER B				1					
7	2	114973-13710	COVER, MUFLER B				1					
8	1	26106-080182	BOLT, M8X 18 PLATED				2					
9	1	26226-080202	STUD, M8X 20				2					
10	1	26366-080002	NUT, M8				2					
11	1	114658-13800	PIPE, EXHAUST				1					

Remarks  
 (G)These parts are sold by Fig.22 No.14.

N:Old  $\frac{100}{100}$  New, Q:Old  $\frac{100}{100}$  New, R:Old  $\frac{100}{100}$  New, S:Old  $\frac{100}{100}$  New, W:Add, Z:Discontinued, F:Interchangeable by set, K:Q'ty Change  
 Copyright (C) YANMAR CO., LTD. All Rights Reserved.

Fig.16. CRANKSHAFT, PISTON & CAMSHAFT

16. CRANKSHAFT, PISTON & CAMSHAFT



(A)=L70AE-DIC  
(B)=L70AE-DEIC  
(C)=L100AE-DEIC

(D)=  
(E)=  
(F)=

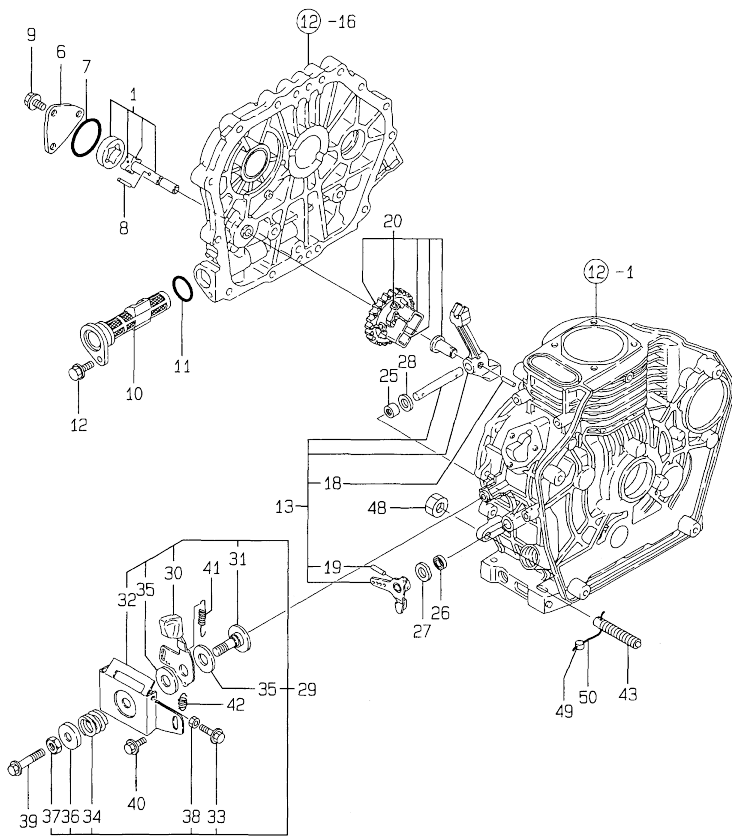
No.	Lev.	Parts No.	Description	Q'ty						I	R		
				(A)	(B)	(C)	(D)	(E)	(F)				
1	1	714689-14580	CAMSHAFT ASSY										
6	1	114650-14200	TAPPET										
7	1	114250-14260	TAPPET										
8	1	114650-14401	PUSH-ROD										
12	1	122710-01220	NUT, HEAD M18										
13	1	714688-21730	CRANKSHAFT ASSY										
21	1	114650-21551	WASHER, FLYWHEEL										
22	1	114662-21592	FLYWHEEL ASSY, DE										
25	2	114662-21601	GEAR, RING D										
26	1	22512-050140	KEY, 5X 14										
27	1	714980-22720	PISTON ASSY, D										
29	2	714970-22500	RING SET, PISTON										
35	1	114650-22300	PIN, PISTON D=23										
36	1	129792-22400	CIRCLIP, 23										
37	1	714650-23700	ROD ASSY, CONNECTING										
40	2	124060-23100	BEARING, PISTON PIN										
41	2	104200-23201	BOLT, CONNECTING ROD										
42	2	714650-23600	METAL ASSY, CRANK PIN										
44	1	714970-28511	SHAFT ASSY, BALANCER										
49	1	24101-062034	BEARING, BALL 6203										
50	1	24101-063034	BEARING, BALL 6303										
51	1	714980-22620	PISTON ASSY, 0.25 OS										1
53	2	714970-22540	RING SET, 0.25 OS										1
59	1	714980-22580	PISTON ASSY, 0.50 OS										1
61	2	714970-22550	RING SET, 0.50 OS										1
65	1	714650-23610	METAL ASSY, PIN .25										2
67	1	714650-23620	METAL ASSY, PIN .50										2

Remarks

- (1)Over-sized parts.
- (2)Under-sized parts.

Fig.17. LUB. OIL PUMP & GOVERNOR

17.LUB.OIL PUMP & GOVERNOR



(A)=L70AE-DIC  
(B)=L70AE-DEIC  
(C)=L100AE-DEIC

(D)=  
(E)=  
(F)=

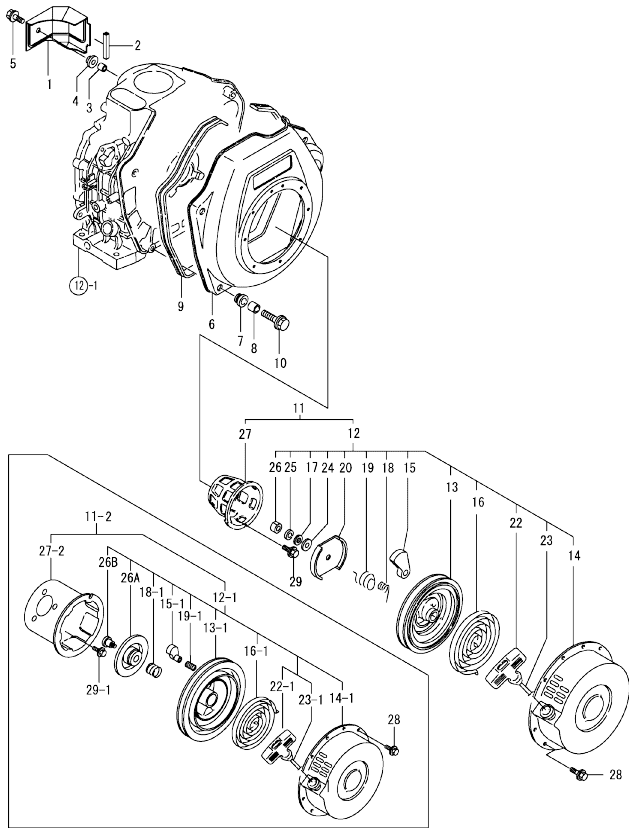
No.	Lev.	Parts No.	Description	Q'ty						I	R		
				(A)	(B)	(C)	(D)	(E)	(F)				
1	1	114650-32010	PUMP ASSY, OIL										
6	1	114250-32070	COVER, OIL PUMP										
7	1	103338-32570	O-RING, PUMP COVER										G
8	1	22312-030160	PIN, PARALLEL M3X16										
9	1	26476-060142	SCREW, TAPPING M6X14										
10	1	114250-35070	FILTER, OIL										
11	1	24341-000224	O-RING, 1AS22.4										
12	1	26106-060162	BOLT, M6X 16 PLATED										
13	1	714650-61500	LEVER ASSY, GOVERNOR										
18	2	22322-030200	PIN, TAPER 3X20										
19	2	22322-030200	PIN, TAPER 3X20										
20	1	714685-61700	GOVERNOR ASSY										
25	1	114270-61520	BEARING, NEEDLE 8										
26	1	114770-61600	SEAL, OIL										
27	1	114770-61610	WASHER, THRUST										
28	1	114770-61190	WASHER, GOVERNOR										
29	1	183250-66500	BRACKET ASSY, HANDLE										
30	2	183250-66050	HANDLE, REGULATOR										
31	2	183250-66070	SHAFT, HANDLE										
32	2	183250-66100	BRACKET, RADIATOR										
33	2	114250-66440	BOLT, ADJUSTER										
34	2	104200-66820	SPRING, HANDLE										
35	2	104200-66830	PLATE, FRICTION										
36	2	104200-66850	WASHER, B										
37	2	26696-100002	NUT, LOCK M10										
38	2	26757-060002	NUT, LOCK M6										
39	1	26106-060452	BOLT, M6X 45 PLATED										
40	1	26476-060142	SCREW, TAPPING M6X14										
41	1	114970-66010	SPRING, REGULATOR										
42	1	114250-66200	SPRING, RETURN										
43	1	114650-66500	LIMITER ASSY, FUEL										
48	1	26696-100002	NUT, LOCK M10										
49	1	135210-61090	LEAD										
50	1	22451-060000	WIRE, 0.6										

Remarks

(G)These parts are sold by Fig.22 No.14.

Fig.18. COOLING & STARTING DEVICE

18. COOLING & STARTING DEVICE



(A)=L70AE-DIC  
(B)=L70AE-DEIC  
(C)=L100AE-DEIC

(D)=  
(E)=  
(F)=

No.	Lev.	Parts No.	Description	Q'ty						I	R		
				(A)	(B)	(C)	(D)	(E)	(F)				
1	1	114650-45201	COVER, CYLINDER										
2	1	114350-45320	SEAL, RUBBER										
3	1	114350-45340	COLLAR, COVER										
4	1	183720-55210	GROMMET, TANK										
5	1	26476-060202	SCREW, TAPPING M6X20										
6	1	114668-45102	CASE, COOLING FAN D										
7	1	114250-45300	RUBBER, FAN CASE										
8	1	114250-45310	COLLAR, FAN CASE										
9	1	114650-45330	SEAL, FAN CASE L=950										
10	1	114370-45350	BOLT, FAN CASE										
11	1	114660-76050	STARTER ASSY, RECOIL										
11-1	1	114660-76051	STARTER ASSY, RECOIL (C=EZZZZZ)										S
11-2	1	114660-76052	STARTER ASSY, RECOIL (C=EZZZZZ)										R 1
12	2	114660-76250	STARTER ASSY, RECOIL										
12-1	2	114660-76251	STARTER ASSY, RECOIL (C=EZZZZZ)										S
13	3	114650-76520	REEL, RECOIL STARTER										
13-1	3	114880-76520	REEL, RECOIL STARTER (C=EZZZZZ)										S
14	3	114660-76530	CASE, STARTER										
14-1	3	114660-76531	CASE, STARTER (C=EZZZZZ)										S
15	3	160910-76530	RATCHET										
15-1	3	114870-76530	RATCHET (C=EZZZZZ)										S
16	3	114650-76540	SPRING, SPIRAL										
16-1	3	114870-76540	SPRING, SPIRAL (C=EZZZZZ)										S
17	3	160910-76550	WASHER, THRUST (C=EZZZZZ)										Z
18	3	160910-76560	SPRING, FRICTION										
18-1	3	114870-76560	SPRING, FRICTION (C=EZZZZZ)										S
19	3	160910-76570	SPRING, RETURN										
19-1	3	114870-76570	SPRING, RETURN (C=EZZZZZ)										S
20	3	160910-76580	PLATE, FRICTION (C=EZZZZZ)										Z
22	3	160910-76620	KNOB, STARTER										
22-1	4	114870-76620	KNOB, STARTER (C=EZZZZZ)										S
23	3	114650-76630	ROPE, STARTER										
23-1	4	114650-76631	ROPE, STARTER (C=EZZZZZ)										S
24	3	160910-76650	WASHER, THRUST (C=EZZZZZ)										Z
25	3	22217-060000	WASHER, SPRING 6 (C=EZZZZZ)										Z
26	3	26717-060002	NUT, M6										Z

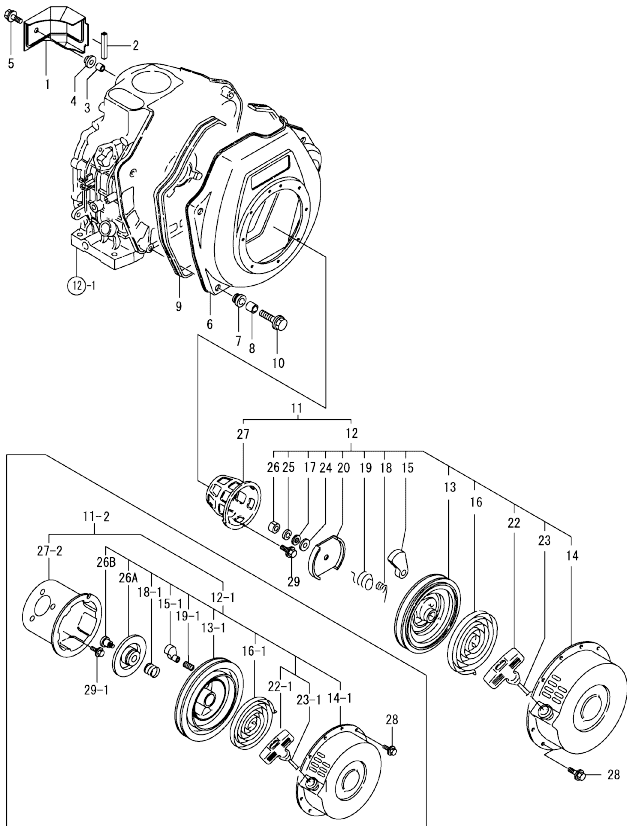
Remarks

(1) Interchangeable by simultaneous replacement with No.12-1 & 27-2.

N:Old  $\frac{100}{100}$  New, Q:Old  $\frac{100}{100}$  New, R:Old  $\frac{100}{100}$  New, S:Old  $\frac{100}{100}$  New, W:Add, Z:Discontinued, F:Interchangeable by set, K:Q'ty Change  
 ++ CONTINUE ++  
 Copyright (C) YANMAR CO., LTD. All Rights Reserved.

Fig.18. COOLING & STARTING DEVICE

18 COOLING & STARTING DEVICE



(A)=L70AE-DIC  
(B)=L70AE-DEIC  
(C)=L100AE-DEIC

(D)=  
(E)=  
(F)=

No.	Lev.	Parts No.	Description	Q'ty						I	R
				(A)	(B)	(C)	(D)	(E)	(F)		
26A	3	114880-76550	GUIDE, RATCHET (C=EZZZZZ)			1					W
26B	3	114870-76580	SCREW, SETTING (C=EZZZZZ)			1					W
27	2	114660-76590	PULLEY, STARTER (C=EZZZZZ)			1					S
27-1	2	114660-76591	PULLEY, STARTER (C=EZZZZZ)			1					S
27-2	2	114660-76592	PULLEY, STARTER (C=EZZZZZ)			1					S
28	1	26106-060082	BOLT, M6X 8 PLATED			4					
29	1	26106-060122	BOLT, M6X 12 PLATED			4					
29-1	1	26106-060122	BOLT, M6X 12 PLATED (C=EZZZZZ)			3					K

Remarks

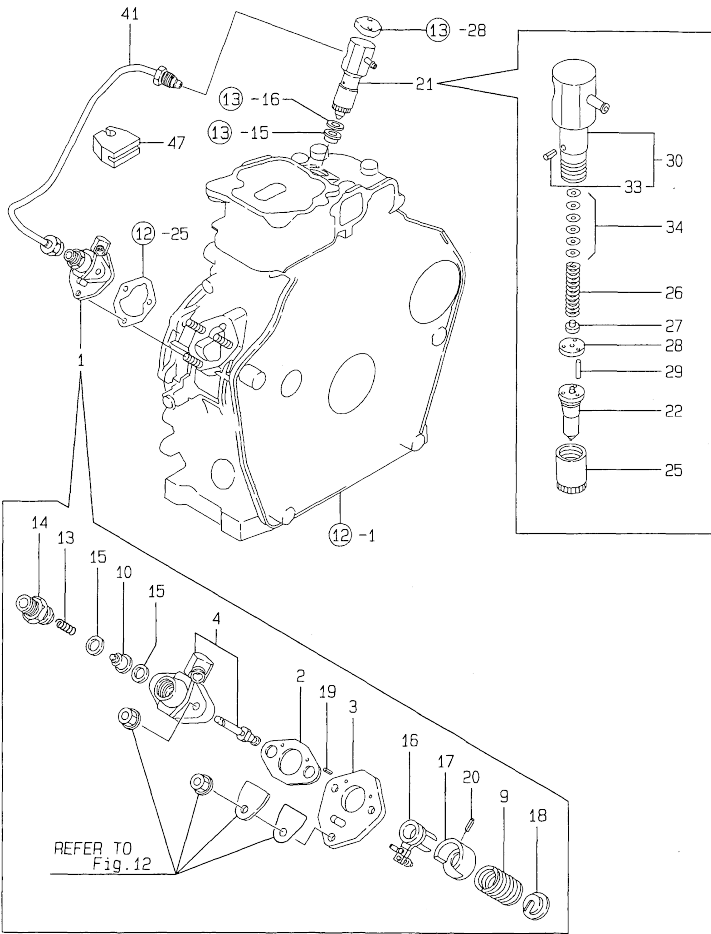
(1)Interchangeable by simultaneous replacement with No.12-1 & 27-2.

N:Old  $\frac{100}{100}$  New, Q:Old  $\frac{100}{100}$  New, R:Old  $\frac{100}{100}$  New, S:Old  $\frac{100}{100}$  New, W:Add, Z:Discontinued, F:Interchangeable by set, K:Q'ty Change  
Copyright (C) YANMAR CO., LTD. All Rights Reserved.



Fig.19. FUEL INJECTION PUMP

19.FUEL INJECTION PUMP



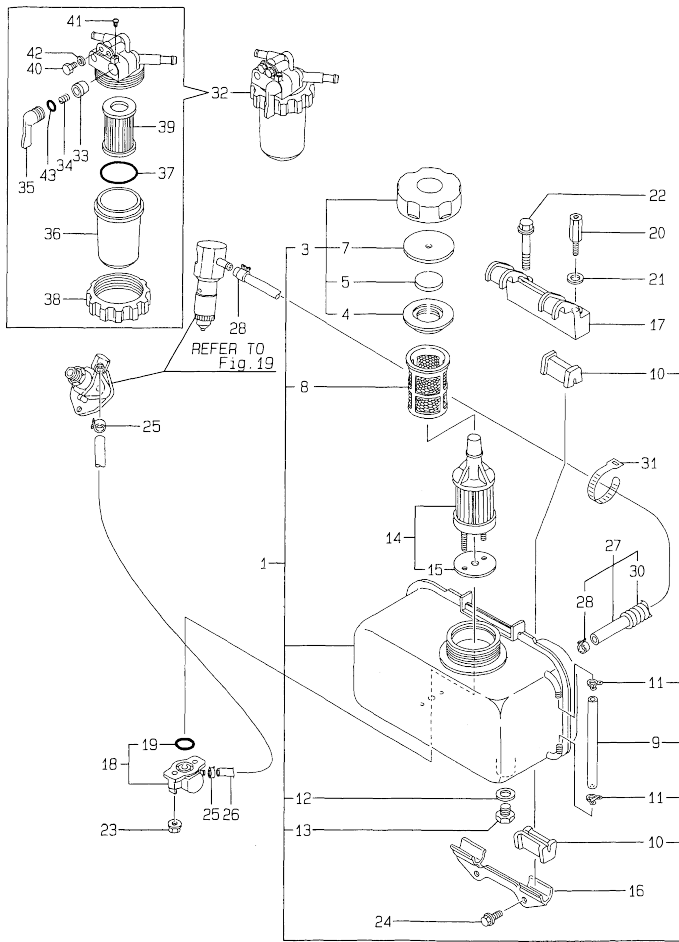
(A)=L70AE-DIC  
(B)=L70AE-DEIC  
(C)=L100AE-DEIC

(D)=  
(E)=  
(F)=

No.	Lev.	Parts No.	Description	Q'ty						I	R	
				(A)	(B)	(C)	(D)	(E)	(F)			
1	1	714970-51700	PUMP ASSY, INJECTION									
2	2	105546-51020	GASKET, PUMP BODY									
3	2	114250-51080	PLATE									
4	2	114970-51100	BODY ASSY, PUMP									
9	2	114250-51160	SPRING, PLUNGER									
10	2	114650-51300	VALVE ASSY, DELIVERY									
13	2	105546-51330	SPRING, DELIVERY									
14	2	114250-51340	HOLDER, DELIVERY									
15	2	124550-51350	GASKET, DELIVERY									
16	2	114250-51600	LEVER, CONTROL									
17	2	114250-51640	SEAT, SPRING A									
18	2	114250-51650	SEAT, SPRING B									
19	2	22351-020006	PIN, SPRING 2.0X 6									
20	2	22351-030008	PIN, SPRING 3.0X 8									
21	1	714650-53100	VALVE ASSY, INJECTION									
22	2	114650-53000	VALVE ASSY, INJECTION									
25	2	114250-53080	NUT, NOZZLE									
26	2	114250-53120	SPRING, NOZZLE									
27	2	114250-53130	SEAT, SPRING									
28	2	114250-53140	SPACER, VALVE STOP									
29	2	114250-53210	PIN, POSITIONING									
30	2	114650-53300	HOLDER ASSY, NOZZLE									
33	3	114250-53331	PIN, HOLDER									
34	2	114250-53400	SHIM SET									
41	1	114650-59800	PIPE ASSY, INJECTION									
47	1	114650-59850	SUPPORT, PIPE									

Fig.20. FUEL TANK & FUEL PIPE

20.FUEL TANK & FUEL LINE



(A)=L70AE-DIC  
(B)=L70AE-DEIC  
(C)=L100AE-DEIC

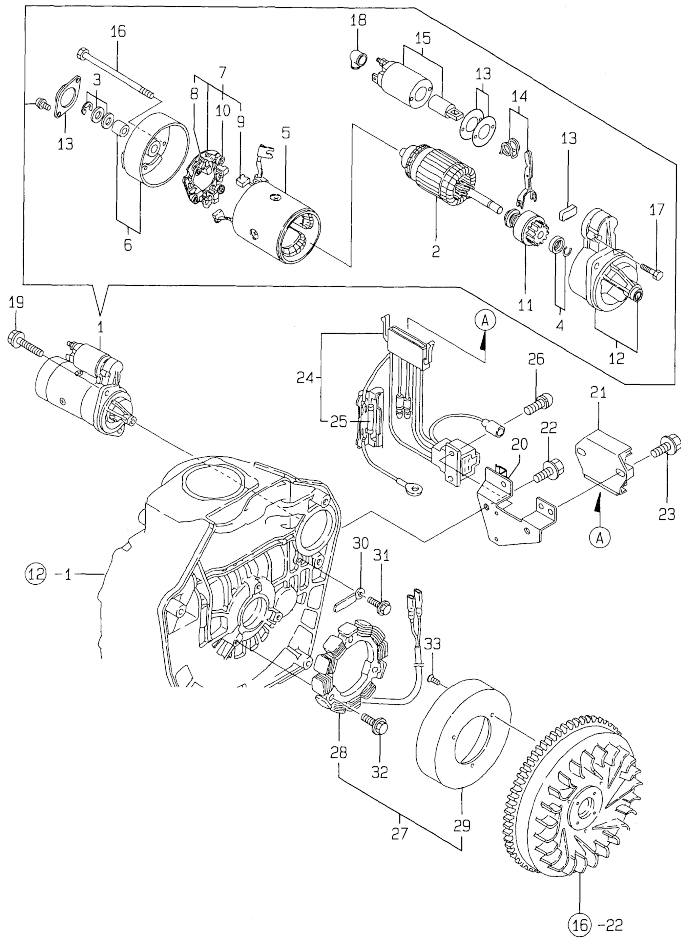
(D)=  
(E)=  
(F)=

No.	Lev.	Parts No.	Description	Qty						I	R		
				(A)	(B)	(C)	(D)	(E)	(F)				
1	1	714650-55701	TANK ASSY, FUEL										
3	2	114250-55041	CAP ASSY, FUEL TANK										
4	3	114250-55050	GASKET, TANK CAP										
5	3	114250-55060	SEAL, FUEL CAP										
7	3	114250-55080	SEAT										
8	2	114250-55100	FILTER, FUEL INLET										
9	2	114650-55150	GAUGE, OIL LEVEL										
10	2	114250-55201	DAMPER, FUEL TANK										
11	2	124722-59050	CLAMP, HOSE 9										
12	2	23414-120000	GASKET, 12X1.0										
13	2	23887-120002	PLUG, 12										
14	1	114250-55121	FILTER ASSY, FUEL										
15	2	114250-55130	GASKET										
16	1	114250-55211	STAY, FUEL TANK A										
17	1	114650-55230	STAY, FUEL TANK B										
18	1	114250-55300	COCK ASSY, FUEL										
19	2	24341-000150	O-RING, 1AS15.0										
20	1	114650-55810	BOLT, LIFTING										
21	1	22117-080000	WASHER, 8										
22	1	26106-080452	BOLT, M8X 45 PLATED										
23	1	26366-060002	NUT, M6										
24	1	26476-060142	SCREW, TAPPING M6X14										
25	1	106990-44660	CLAMP, HOSE 12.5										
26	1	114250-59050	PIPE, FUEL L=46										
27	1	114652-59300	PIPE, FUEL RETURN										
28	2	124722-59050	CLAMP, HOSE 9										
30	2	114652-59310	TUBE, PROTECT										
31	2	121750-59890	BAND, NYLON										
32	1	114250-55500	FILTER ASSY, FUEL										
33	2	104200-55321	VALVE, TAPER										
34	2	104200-55330	SPRING, FUEL VALVE										
35	2	104200-55341	HANDLE, COCK										
36	2	104500-55510	CUP										
37	2	102103-55520	O-RING, FILTER										
38	2	110250-55610	RING, CUP RETAINING										
39	2	114250-55510	ELEMENT, FUEL FILTER										
40	2	101720-55750	PLUG, HEXAGON M6										
41	2	104200-55750	SCREW, M4										
42	2	23418-060000	GASKET, 6X1.0										
43	2	24311-240100	O-RING, 1AP10A										

N:Old  $\frac{New}{Old}$  New. Q:Old  $\frac{New}{Old}$  New. R:Old  $\frac{New}{Old}$  New. S:Old  $\frac{New}{Old}$  New. W:Add. Z:Discontinued. F:Interchangeable by set. K:Qty Change  
Copyright (C) YANMAR CO., LTD. All Rights Reserved.

Fig.21. STARTER MOTOR & DYNAMO

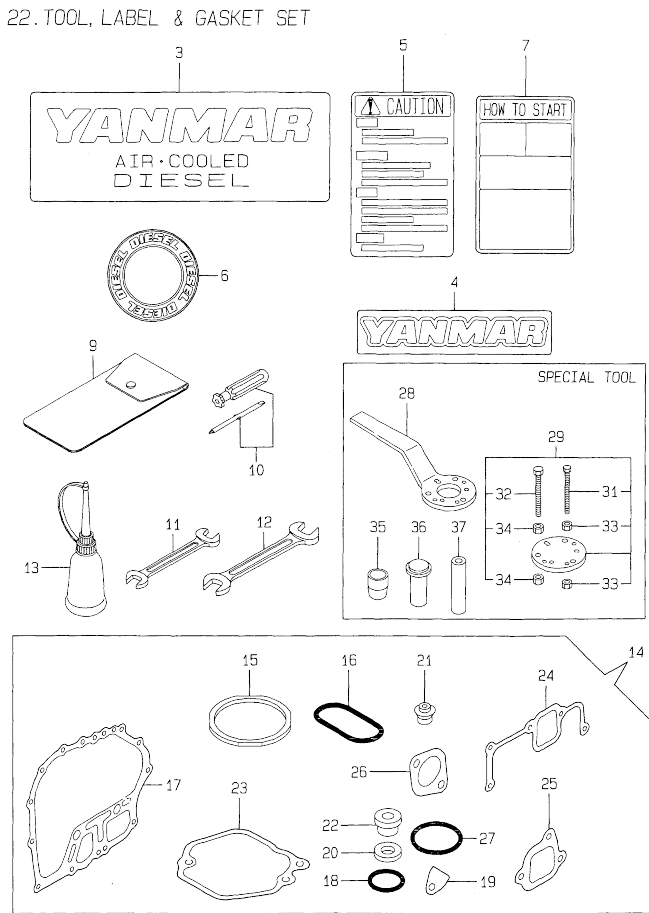
21. STARTING MOTOR & DYNAMO



No.	Lev.	Parts No.	Description	Qty						I	R		
				(A)	(B)	(C)	(D)	(E)	(F)				
1	1	114362-77011	STARTER ASSY, D										
2	2	114381-77110	ARMATURE										
3	2	X2114811000	WASHER KIT, THRUST										
4	2	X2114715500	STOPPER SET, PINION										
5	2	114381-77130	COIL ASSY, FIELD										
6	2	114381-77140	COVER										
7	2	114371-77160	HOLDER ASSY, BRUSH										
8	3	114371-79040	BRUSH, -										
9	3	114371-79050	BRUSH SET, +										
10	3	114371-79060	SPRING, BRUSH										
11	2	X2114455080	PINION ASSY										
12	2	114381-77150	CASE ASSY, GEAR										
13	2	114371-77170	COVER KIT, DUST										
14	2	X2114560130	LEVER KIT, SHIFT										
15	2	X2114275010	SWITCH ASSY, MAGNET										
16	2	X2114680050	BOLT, THROUGH										
17	2	114371-79070	BOLT, M6										
18	2	X2114274200	COVER, TERMINAL										
19	1	26106-100302	BOLT, M10X 30 PLATED										
20	1	114385-77400	BRACKET, HARNESS										
21	1	119660-77710	CURRENT LIMITER, 15A										
22	1	26106-060122	BOLT, M6X 12 PLATED										
23	1	26106-060202	BOLT, M6X 20 PLATED										
24	1	114351-77540	HARNESS, WIRE SS										
25	2	29411-150000	FUSE, CARTRIDGE 15A										
26	1	114351-77550	SCREW, M4X6										
26-1	1	26023-040102	SCREW, M4X10										N
				(C=FROM 1ST)									
27	1	114351-78290	DYNAMO ASSY										
28	2	114351-78830	STATOR ASSY, 132.1MM										
29	2	114351-78840	WHEEL, DYNAMO										
30	1	160710-78710	CLAMP, CORD										
31	1	26476-060142	SCREW, TAPPING M6X14										
32	1	26476-060202	SCREW, TAPPING M6X20										
33	1	26577-060142	SCREW M 6X 14										

N:Old  $\frac{100}{100}$  New, Q:Old  $\frac{100}{100}$  New, R:Old  $\frac{100}{100}$  New, S:Old  $\frac{100}{100}$  New, W:Add, Z:Discontinued, F:Interchangeable by set, K:Qty Change  
 Copyright (C) YANMAR CO., LTD. All Rights Reserved.

Fig.22. TOOL, LABEL & GASKET SET



(A)=L70AE-DIC  
(B)=L70AE-DEIC  
(C)=L100AE-DEIC

(D)=  
(E)=  
(F)=

No.	Lev.	Parts No.	Description	Qty						I	R		
				(A)	(B)	(C)	(D)	(E)	(F)				
3	1	114250-07090	LABEL, YANMAR MARK A										
4	1	114250-07111	LABEL, YANMAR MARK										
5	1	114268-07240	LABEL, CAUTION										
6	1	114261-07350	LABEL, DIESEL										
7	1	114268-07350	LABEL, HOW TO START										
9	1	114250-92600	BAG, TOOL										
10	1	160330-92730	SCREW-DRIVER										
11	1	28110-100120	SPANNER, 10X12										
12	1	28110-140170	SPANNER, 14X17										
13	1	28210-000150	OILER										
14	1	714989-92600	GASKET SET										1
15	2	114970-01340	GASKET, HEAD										
16	2	114650-01380	O-RING, TAPPET										
17	2	114650-01412	GASKET, CRANK CASE										
18	2	24311-000180	O-RING, 1AP18.0										
19	2	114250-01841	GASKET, COVER										
20	2	22190-160002	WASHER, SEAL 16										
21	2	114650-11340	SEAL, VALVE STEM										
22	2	114250-11460	GASKET, NOZZLE										
23	2	114650-11311	GASKET, BONNET										
24	2	114650-12301	GASKET, INTAKE PIPE										
25	2	114650-12211	GASKET, AIR CLEANER										
26	2	114650-13201	GASKET, MUFFLER										
27	2	103338-32570	O-RING, PUMP COVER										
28	1	114250-92101	HANDLE, FLYWHEEL										1
29	1	114250-92130	TOOL ASSY, FLYWHEEL										1
31	2	26116-060454	BOLT M 6X 45 PLATED										1
32	2	26116-080454	BOLT, M8X 45 PLATED										1
33	2	26716-060002	NUT, M6										1
34	2	26716-080002	NUT, M8										1
35	1	114668-92300	GUIDE, OIL SEAL										1
36	1	114650-92310	TOOL, SEAL INSTALL										1
37	1	114650-92350	TOOL, SEAL INSTALL										1

Remarks

(1)Optional parts.

## Parts No. Index

Parts No.	Fig. No.	Ref. No.
101158-11180	2	9
101720-55750	9	37
	20	40
102103-55520	9	34
	20	37
103338-32570	6	7
	11	27
	17	7
	22	27
103854-01221	5	20
104200-23201	16	41
104200-55321	9	30
	20	33
104200-55330	9	31
	20	34
104200-55341	9	32
	20	35
104200-55750	9	38
	20	41
104200-66820	6	34
	17	34
104200-66830	6	35
	17	35
104200-66850	6	36
	17	36
104211-11370	13	14
		27
104500-55510	9	33
	20	36
105010-11490	2	16
		29
105025-01220	12	8
105225-01240	1	13
105425-01690	1	23
	12	21
105546-51020	8	2
	19	2
105546-51330	8	14
	19	13
106990-44660	9	25
	20	25
110250-55610	9	35
	20	38
114250-01800	1	27
	12	25
114250-01830	1	32
	12	30
114250-01841	1	33
	11	19
	12	31

Parts No.	Fig. No.	Ref. No.
114250-01841	22	19
114250-02030	1	42
	12	40
114250-03591	2	38
	13	36
114250-03640	2	41
	13	39
114250-07090	11	3
	22	3
114250-07111	11	4
	22	4
114250-11240	2	22
		27
	13	20
		25
114250-11290	2	12
114250-11311	2	35
	11	23
114250-11460	2	17
	11	22
	13	15
	22	22
114250-11600	2	19
114250-11651	2	20
114250-11900	2	30
	13	28
114250-11951	2	36
114250-12211	3	1
	11	25
114250-12520	3	4
114250-12530	3	5
114250-12550	3	8
114250-12560	3	7
114250-12580	3	6
114250-13201	4	1
	11	26
114250-14200	5	6
114250-14260	5	7
	16	7
114250-21550	5	21
114250-23200	5	42
114250-23220	5	43
114250-23250	5	44
114250-32010	6	1
114250-32070	6	6
	17	6
114250-35070	6	10
	17	10
114250-35150	1	34
	12	32

Parts No.	Fig. No.	Ref. No.
114250-45300	7	7
	18	7
114250-45310	7	8
	18	8
114250-45330	7	9
114250-51080	8	3
	19	3
114250-51160	8	10
	19	9
114250-51300	8	11
114250-51340	8	15
	19	14
114250-51600	8	17
	19	16
114250-51640	8	18
	19	17
114250-51650	8	19
	19	18
114250-53080	8	26
	19	25
114250-53120	8	27
	19	26
114250-53130	8	28
	19	27
114250-53140	8	29
	19	28
114250-53210	8	30
	19	29
114250-53300	8	31
114250-53331	8	34
	19	33
114250-53400	8	35
	19	34
114250-55041	9	3
	20	3
114250-55050	9	4
	20	4
114250-55060	9	5
	20	5
114250-55080	9	7
	20	7
114250-55100	9	8
	20	8
114250-55121	9	14
	20	14
114250-55130	9	15
	20	15
114250-55201	9	10
	20	10
114250-55211	9	16

Parts No.	Fig. No.	Ref. No.
114250-55211	20	16
114250-55300	9	18
	20	18
114250-55500	9	29
	20	32
114250-55510	9	36
	20	39
114250-59050	20	26
114250-59060	9	27
114250-66200	6	42
	17	42
114250-66440	6	33
	17	33
114250-66550	6	43
114250-76600	7	27
114250-76610	7	28
114250-92101	11	28
	22	28
114250-92130	11	29
	22	29
114250-92600	11	9
	22	9
114252-12550	14	10
114252-12560	14	9
114261-07350	11	6
	22	6
114268-07240	11	5
	22	5
114268-07350	11	7
	22	7
114268-13800	4	11
114268-59060	9	28
114270-01600	1	35
	12	34
114270-61520	6	25
	17	25
114350-01200	1	10
114350-01210	1	11
114350-01220	1	12
114350-01250	1	14
114350-01380	1	16
	11	16
114350-01412	1	17
	11	17
114350-01700	1	8
	12	6
114350-02100	1	21
114350-02113	1	43
114350-02200	1	48
114350-02210	1	49

## Parts No. Index

Parts No.	Fig. No.	Ref. No.	Parts No.	Fig. No.	Ref. No.	Parts No.	Fig. No.	Ref. No.	Parts No.	Fig. No.	Ref. No.
114350-11101	2	6	114371-79060	10	10	114650-21551	16	21	114870-45201	7	1
114350-11113	2	7		21	10	114650-22300	16	35	114870-53000	8	23
114350-11120	2	8	114371-79070	10	17	114650-32010	17	1	114870-66010	6	41
114350-11340	2	15		21	17	114650-45201	18	1	114870-76530	7	15 -1
	11	21	114380-23100	5	47 A	114650-45300	18	9		18	15 -1
114350-11470	2	18	114381-77110	10	2	114650-51300	19	10	114870-76540	7	16 -1
	13	16		21	2	114650-53000	19	22		18	16 -1
114350-12011	3	10	114381-77130	10	5	114650-53300	19	30	114870-76560	7	17 -1
114350-12202	3	11		21	5	114650-55150	20	9		18	18 -1
	11	24	114381-77140	10	6	114650-55230	20	17	114870-76570	7	23 B
114350-14450	5	8		21	6	114650-55810	9	20		18	19 -1
114350-22301	5	37	114381-77150	10	12		20	20	114870-76580	7	23 C
114350-45320	7	2		21	12	114650-59800	19	41		18	26 B
	18	2	114385-77400	10	20	114650-59850	19	47	114870-76620	7	20 -1
114350-45340	7	3		21	20	114650-66500	17	43		18	22 -1
	18	3	114650-01230	12	9	114650-76520	18	13	114870-76630	7	21 -1
114350-51200	8	4	114650-01240	12	10	114650-76540	18	16	114880-21400	5	22
114350-55150	9	9	114650-01250	12	11	114650-76630	18	23	114880-76050	7	11
114350-55231	9	17	114650-01260	12	12	114650-76631	18	23 -1	114880-76051	7	11 -1
114350-59800	8	42	114650-01380	12	14	114650-92310	22	36	114880-76250	7	12
114350-76590	7	24		22	16	114650-92350	22	37	114880-76251	7	12 -1
114350-76591	7	24 -1	114650-01412	12	15	114652-59300	20	27	114880-76510	7	13
114350-92311	11	36		22	17	114652-59310	20	30	114880-76511	7	13 -1
114350-92350	11	37	114650-02100	12	19	114654-11110	13	7	114880-76520	7	14 -1
114351-77540	10	24	114650-02150	12	41	114658-13800	15	11		18	13 -1
	21	24	114650-02200	12	46	114660-01471	12	16	114880-76550	7	23 A
114351-77550	10	26	114650-02210	12	47	114660-76050	18	11		18	26 A
	21	26	114650-11010	13	1	114660-76051	18	11 -1	114881-21590	5	24
114351-78290	10	27	114650-11100	13	6	114660-76052	18	11 -2	114970-01340	12	13
	21	27	114650-11121	13	8	114660-76250	18	12		22	15
114351-78830	10	28	114650-11261	13	12	114660-76251	18	12 -1	114970-13710	15	6
	21	28	114650-11311	13	33	114660-76530	18	14	114970-51100	19	4
114351-78840	10	29		22	23	114660-76531	18	14 -1	114970-66010	17	41
	21	29	114650-11340	13	13	114660-76590	18	27	114973-13550	15	2
114360-45101	7	6		22	21	114660-76591	18	27 -1	114973-13560	15	4
114362-21600	5	27	114650-11600	13	17	114660-76592	18	27 -2	114973-13710	15	7
114362-77011	10	1	114650-11652	13	18	114662-21592	16	22	118200-23200	5	42 -1
	21	1	114650-11951	13	34	114662-21601	16	25	119620-11180	13	9
114368-01453	1	18	114650-12020	14	12	114668-45102	18	6	119660-77710	10	21
114368-92300	11	35	114650-12211	14	1	114668-92300	22	35		21	21
114370-45350	7	10		22	25	114770-61190	6	28	121750-59890	20	31
	18	10	114650-12301	14	13		17	28	122710-01220	16	12
114371-77160	10	7		22	24	114770-61600	6	26	124060-23100	16	40
	21	7	114650-12520	14	4		17	26	124550-51350	8	16
114371-77170	10	13	114650-12530	14	5	114770-61610	6	27		19	15
	21	13	114650-12590	14	6		17	27	124722-59050	9	11
114371-79040	10	8	114650-13201	15	1	114870-01340	1	15		20	26
	21	8		22	26		11	15		20	11
114371-79050	10	9	114650-14200	16	6	114870-11021	2	1		20	28
	21	9	114650-14401	16	8	114870-13551	4	2	129792-22400	16	36

## Parts No. Index

Parts No.	Fig. No.	Ref. No.
135210-61090	6	49
	17	49
160110-02220	1	44
		45
160260-01580	15	3
160330-92730	11	10
	22	10
160710-78710	10	30
	21	30
160810-76520	7	14
160810-76540	7	16
160810-76580	7	18
160810-76620	7	20
160810-76630	7	21
160840-76530	7	15
160840-76560	7	17
160910-01740	1	24
	12	22
160910-76530	18	15
160910-76550	18	17
160910-76560	18	18
160910-76570	18	19
160910-76580	18	20
160910-76620	18	22
160910-76650	18	24
181130-76680	7	22
181130-76700	7	23
183250-39450	1	50
	12	33
183250-66050	6	30
	17	30
183250-66070	6	31
	17	31
183250-66100	6	32
	17	32
183250-66500	6	29
	17	29
183382-13700	15	5
183720-55210	7	4
	18	4
22117-080000	9	21
	20	21
22190-160002	1	41
	11	20
	12	39
	22	20
22217-060000	18	25
22252-000210	5	38
22312-030080	5	45
22312-030160	2	43

Parts No.	Fig. No.	Ref. No.
22312-030160	6	8
	13	41
	17	8
22322-030200	6	18
		19
	17	18
		19
22351-020006	8	20
	19	19
22351-030008	8	21
	19	20
22351-040008	2	31
	13	29
22451-060000	6	50
	17	50
22512-040120	5	28
22512-050140	16	26
23414-120000	9	12
	20	12
23418-060000	9	39
	20	42
23871-010000	1	36
23887-120002	9	13
	20	13
24101-062024	5	53
24101-062034	16	49
24101-063034	16	50
24162-152112	1	46
	12	42
24311-000180	1	26
	11	18
	12	24
	22	18
24311-240100	9	40
	20	43
24341-000150	9	19
	20	19
24341-000224	6	11
	17	11
24423-355008	12	43
		44
26023-040102	10	26 -1
	21	26 -1
26106-060082	7	25
	18	28
26106-060122	4	8
	7	26
	10	22
	18	29
		29 -1

Parts No.	Fig. No.	Ref. No.
26106-060122	21	22
26106-060162	6	12
	17	12
26106-060202	10	23
	21	23
26106-060252	3	12
	14	14
26106-060452	6	39
	17	39
26106-060552	2	46
26106-060702	13	44
26106-080122	1	47
	12	45
26106-080182	15	8
26106-080352	1	37
	12	35
26106-080452	2	32
	9	22
	20	22
26106-100122	1	9
	12	7
26106-100302	10	19
	21	19
26106-100552	13	30
26116-060454	11	31
	22	31
26116-080454	11	32
	22	32
26216-080182	4	9
26226-060142	3	13
	14	15
26226-060182	1	38
	12	36
26226-060222	1	39
	12	37
26226-060502	2	33
	13	31
26226-060552	3	14
26226-060752	14	16
26226-080202	15	9
26366-060002	1	40
	2	34
	3	9
	9	23
	12	38
	13	32
	14	11
	20	23
26366-080002	4	10
	15	10

Parts No.	Fig. No.	Ref. No.
26476-060142	6	9
		40
	9	24
	10	31
	17	9
		40
	20	24
	21	31
26476-060202	7	5
	10	32
	18	5
	21	32
26577-060142	10	33
	21	33
26696-100002	6	37
		48
	17	37
		48
26716-060002	11	33
	22	33
26716-080002	11	34
	22	34
26717-060002	18	26
26756-060002	2	23
		28
	13	21
		26
26757-060002	6	38
	17	38
27310-060001	2	10
27310-070001	13	10
28110-100120	11	11
	22	11
28110-140170	11	12
	22	12
28210-000150	11	13
	22	13
29411-150000	10	25
	21	25
714250-12560	3	2
714350-23600	5	46
714350-23610	5	66
714350-23620	5	68
714350-23704	5	39
714350-28520	5	48
714350-55711	9	1
714350-61500	6	13
714370-11660	2	24
714380-23600	5	46 -1
714380-23610	5	66 -1

## Parts No. Index

Parts No.	Fig. No.	Ref. No.
714380-23620	5	68 -1
714380-23700	5	39 -1
714388-21711	5	12 -1
714388-21730	5	12
714650-12560	14	2
714650-23600	16	42
714650-23610	16	65
714650-23620	16	67
714650-23700	16	37
714650-53100	19	21
714650-55701	20	1
714650-61500	17	13
714670-11660	13	22
714685-61700	17	20
714688-21730	16	13
714689-14580	16	1
714770-61700	6	20
714870-22500	5	31
714870-22540	5	56
714870-22550	5	62
714870-28510	5	48 -1
714870-51700	8	1
714870-53100	8	22
714871-01560	1	1
714880-14580	5	1
714880-22580	5	60
714880-22620	5	54
714880-22720	5	29
714888-92600	11	14
714970-01560	12	1
714970-22500	16	29
714970-22540	16	53
714970-22550	16	61
714970-28511	16	44
714970-51700	19	1
714980-22580	16	59
714980-22620	16	51
714980-22720	16	27
714989-92600	22	14
X2114274200	10	18
	21	18
X2114275010	10	15
	21	15
X2114455080	10	11
	21	11
X2114560130	10	14
	21	14
X2114680050	10	16
	21	16
X2114715500	10	4

Parts No.	Fig. No.	Ref. No.
X2114715500	21	4
X2114811000	10	3
	21	3

Parts No.	Fig. No.	Ref. No.
-----------	----------	----------

Parts No.	Fig. No.	Ref. No.
-----------	----------	----------