

0CV10-M44901EN

PREFACE

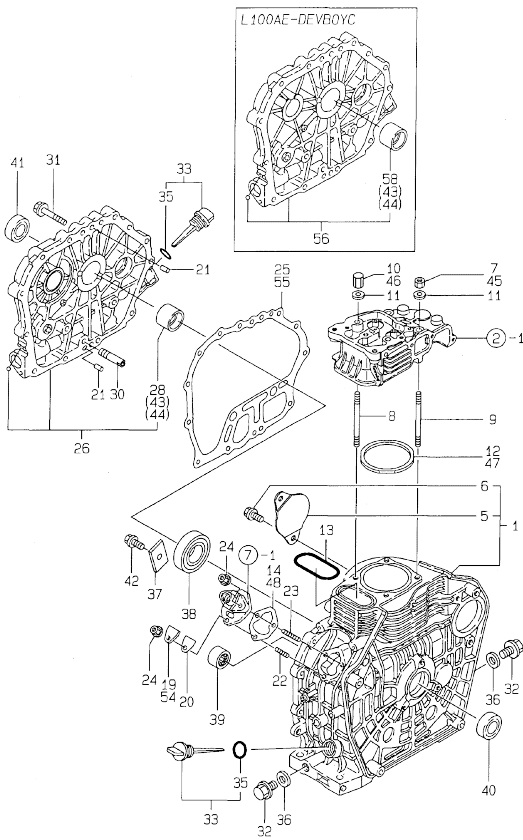
- 1.This Parts Catalog carries all parts incorporated in YANMAR Model L100AE-DVBO & L100AE-DVBOYC & L100AE-DEVBO & L100AE-DEVBOYC engine manufactured since August,2000.
- 2.Each illustration corresponds to the parts list on the following page.
- 3.When ordering parts,clearly write down the engine model and serial number,as well as the name and number of each part in your order sheet. This will help insure reliable delivery of the parts you have ordered.

Contents

Fig. No.	Fig. Name	Fig. No.	Fig. Name
L100AE-D(E)VBO(YC)			
1.	CYLINDER BLOCK		
2.	CYLINDER HEAD & BONNET		
3.	AIR CLEANER & MUFFLER		
4.	CRANKSHAFT,PISTON & CAMSHAFT		
5.	LUB.OIL PUMP & GOVERNOR		
6.	COOLING & STARTING DEVICE		
7.	FUEL INJECTION PUMP		
8.	FUEL TANK & FUEL LINE		
9.	STARTING MOTOR & DYNAMO		
10.	LABEL & GASKET SET(OPTIONAL)		

Fig.1. CYLINDER BLOCK

1. CYLINDER BLOCK

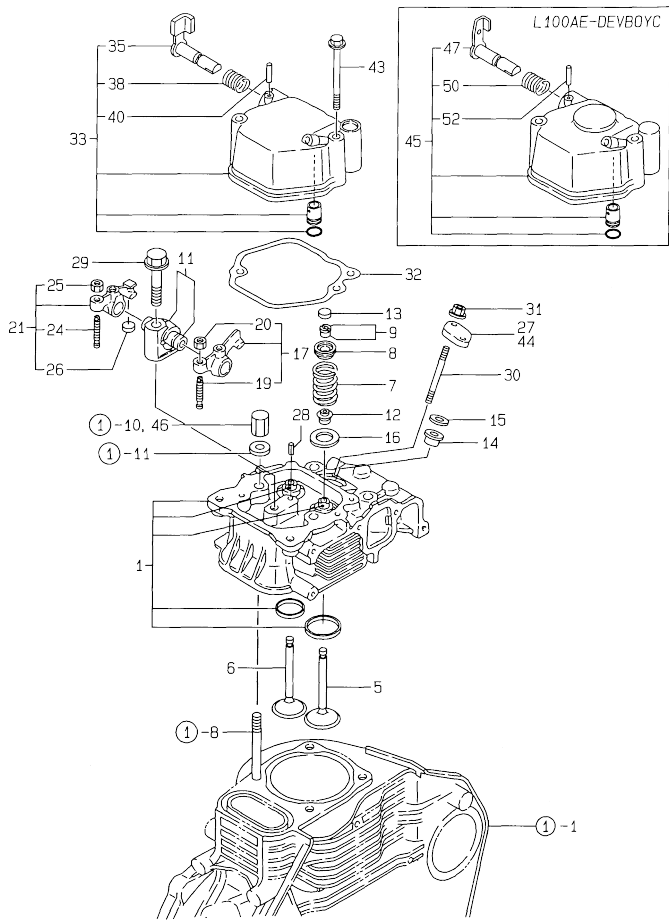


Remarks
 (1) REPAIR PART.
 (2) UNDER-SIZE(U.S=0.25)PART.
 (3) UNDER-SIZE(U.S=0.50)PART.

No.	Lev.	Parts No.	Description	Qty						I	R
				(A)	(B)	(C)	(D)	(E)	(F)		
1	1	714970-01560	BLOCK ASSY, CYLINDER	1	1	1	1				
5	2	114350-01700	COVER	1	1	1	1				
6	2	26106-100122	BOLT, M10X 12 PLATED	2	2	2	2				
7	1	105025-01220	NUT, CYLINDER HEAD	2	2						
8	1	114650-01230	BOLT, HEAD	2	2	2	2				
9	1	114650-01240	BOLT, HEAD	2	2	2	2				
10	1	114650-01250	NUT, CYLINDER HEAD	2	2						
11	1	114650-01260	WASHER	4	4	4	4				
12	1	114970-01340	GASKET, HEAD	1	1						
13	1	114650-01380	O-RING	1	1	1	1				
14	1	114250-01800	SHIM SET	1	1						
19	1	114250-01830	COVER	1	1						
20	1	114250-01840	GASKET	1	1						
20-1	1	114250-01841	GASKET	1	1	1	1				N
(A=E12732) (B=E12931)											
21	1	114270-01600	PIN, M8X12	2	2	2	2				
22	1	26226-060182	STUD, M6X 18	1	1	1	1				
23	1	26226-060222	STUD, M6X 22	2	2	2	2				
24	1	26366-060002	NUT, M6	3	3	3	3				
25	1	114650-01412	GASKET, CRANK CASE	1	1	1	1				
26	1	114660-01471	COVER, CRANK CASE	1	1	1	1				
28	2	114650-02100	BEARING, MAIN	1	1	1	1				1
30	1	114250-35150	PIPE, OIL INLET	1	1	1	1				
31	1	26106-080352	BOLT, M8X 35 PLATED	16	16	16	16				
32	1	105425-01690	PLUG, 16	2	2	2	2				
33	1	160910-01740	CAP ASSY	2	2	2	2				
33-1	1	114699-01760	CAP ASSY	2	2	2	2				R
(A=E12732) (B=E12931)											
35	2	24311-000180	O-RING, 1AP18.0	2	2						
35-1	2	114299-01950	O-RING, 18	2	2	2	2				R
(A=E12732) (B=E12931)											
36	1	22190-160002	WASHER, SEAL 16	2	2	2	2				
37	1	114250-02030	RETAINER, BEARING	1	1						
37-1	1	114299-02030	RETAINER, BEARING	1	1	1	1				R
(A=E12732) (B=E12931)											
38	1	114650-02150	BEARING, HR6308G3C3	1	1	1	1				
39	1	24162-152112	BEARING, 152112	1	1	1	1				
40	1	24423-355008	SEAL, OIL TC355008	1	1	1	1				
41	1	24423-355008	SEAL, OIL TC355008	1	1	1	1				
42	1	26106-080122	BOLT, M8X 12 PLATED	1	1	1	1				
43	1	114650-02200	BEARING, 0.25 US	1	1	1	1				2
44	1	114650-02210	BEARING, 0.50 US	1	1	1	1				3
45	1	114699-01220	NUT, CYLINDER HEAD A	2	2						
46	1	114699-01230	NUT, CYLINDER HEAD B	2	2						
47	1	114699-01330	GASKET, HEAD	1	1						
48	1	114299-01800	SHIM SET	1	1						
54	1	114299-01830	COVER	1	1						
55	1	114699-01410	GASKET, CRANK CASE	1	1						
56	1	114699-01450	COVER, CRANK CASE	1	1						
58	2	114650-02100	BEARING, MAIN	1	1						1

Fig.2. CYLINDER HEAD & BONNET

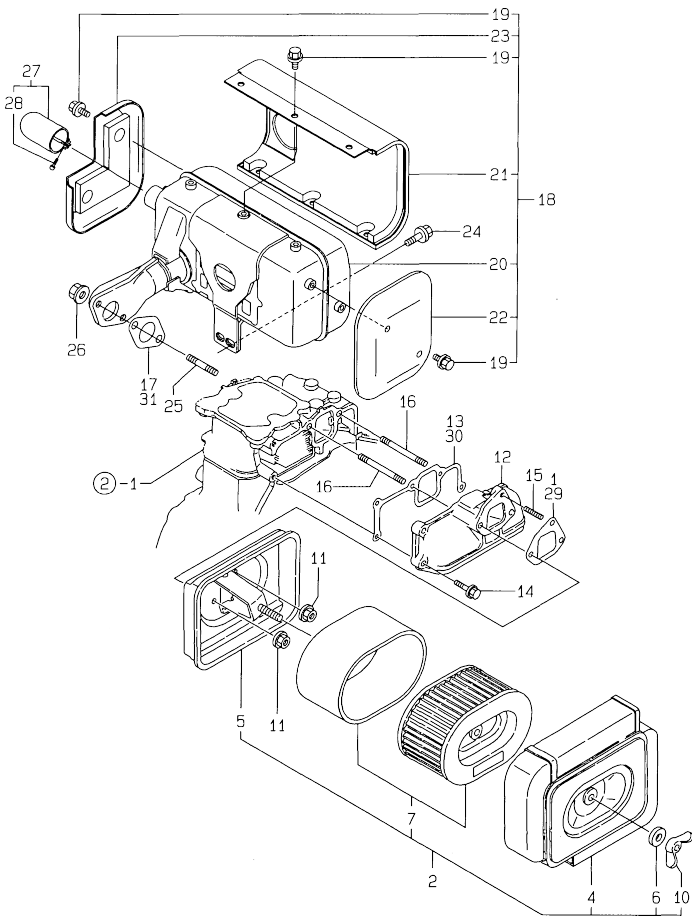
2. CYLINDER HEAD & BONNET



No.	Lev.	Parts No.	Description	Q'ty						I	R
				(A)	(B)	(C)	(D)	(E)	(F)		
1	1	114650-11010	HEAD ASSY, CYLINDER	1	1						
1-1	1	114650-11011	HEAD ASSY, CYLINDER	1	1	1	1				R
		(A=E33743) (B=E64554)									
5	1	114650-11100	VALVE, INTAKE	1	1	1	1				
6	1	114654-11110	VALVE, EXHAUST	1	1	1	1				
7	1	114650-11121	SPRING, VALVE	2	2	2	2				
8	1	119620-11180	RETAINER, SPRING	2	2	2	2				
9	1	27310-070001	COTTER, 7	2	2	2	2				
11	1	114650-11261	SUPPORT, ROCKER ARM	1	1	1	1				
12	1	114650-11340	SEAL, VALVE STEM	2	2	2	2				
13	1	104211-11370	CAP, VALVE	1	1	1	1				
14	1	114250-11460	GASKET, NOZZLE	1	1	1	1				
15	1	114350-11470	SPACER, NOZZLE	1	1	1	1				
16	1	114650-11600	WASHER	2	2	2	2				
17	1	114650-11652	ARM, ROCKER	1	1	1	1				
19	2	114250-11240	SCREW, VALVE ADJUST	1	1	1	1				
20	2	26756-060002	NUT, LOCK M6	1	1	1	1				
20-1	2	26856-060002	NUT, M6	1	1	1	1				R
		(A=E33743) (B=E55014)									
21	1	714670-11660	ARM ASSY, ROCKER	1	1	1	1				
24	3	114250-11240	SCREW, VALVE ADJUST	1	1	1	1				
25	3	26756-060002	NUT, LOCK M6	1	1	1	1				
25-1	3	26856-060002	NUT, M6	1	1	1	1				R
		(A=E33743) (B=E55014)									
26	2	104211-11370	CAP, VALVE	1	1	1	1				
27	1	114250-11900	RETAINER, NOZZLE	1	1	1	1				
27-1	1	114250-11901	RETAINER, NOZZLE	1	1	1	1				N
		(A=E33743) (B=E64554)									
28	1	22351-040008	PIN, SPRING 4.0X 8	1	1	1	1				
29	1	26106-100552	BOLT, M10X 55 PLATED	1	1	1	1				
30	1	26226-060502	STUD, M6X 50	2	2	2	2				
31	1	26366-060002	NUT, M6	2	2	2	2				
32	1	114650-11310	GASKET, BONNET	1	1	1	1				
32-1	1	114650-11311	GASKET, BONNET	1	1	1	1				N
		(A=E12732) (B=E12931)									
33	1	114650-11951	BONNET ASSY, HEAD	1	1	1	1				
35	2	114250-03591	LEVER ASSY	1	1	1	1				
38	2	114250-03640	SPRING, DECOMPRESSION	1	1	1	1				
40	2	22312-030160	PIN, PARALLEL M3X16	1	1	1	1				
43	1	26106-060702	BOLT, M6X 70 PLATED	2	2	2	2				
44	1	114299-11900	RETAINER, NOZZLE					1	1		
45	1	114699-11950	BONNET ASSY, HEAD							1	
47	2	114250-03591	LEVER ASSY								1
50	2	114250-03640	SPRING, DECOMPRESSION								1
52	2	22312-030160	PIN, PARALLEL M3X16								1

Fig.3. AIR CLEANER & MUFFLER

3. AIR CLEANER & MUFFLER



(A)=L100AE-DVBO (D)=L100AEDEVBOY
 (B)=L100AE-DEVBO (E)=
 (C)=L100AEDVBOYC (F)=

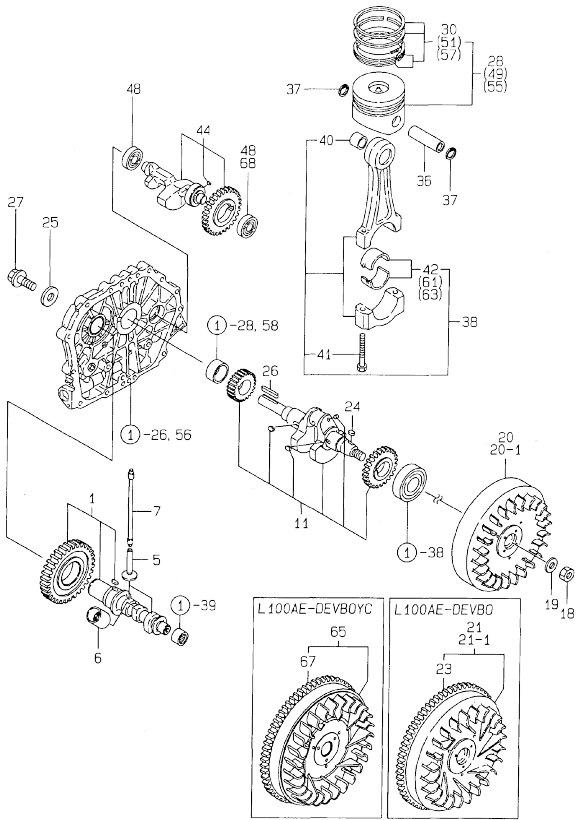
No.	Lev.	Parts No.	Description	Qty						I	R
				(A)	(B)	(C)	(D)	(E)	(F)		
1	1	114650-12210	GASKET, AIR CLEANER	1	1						
1-1	1	114650-12211	GASKET, AIR CLEANER	1	1	1					N
		(A=E12732) (B=E12931)									
2	1	714650-12560	CLEANER ASSY, AIR	1	1	1	1				
4	3	114650-12520	COVER, AIR CLEANER	1	1	1	1				
5	3	114650-12530	CASE ASSY, CLEANER	1	1	1	1				
6	3	114252-12560	WASHER, SEAL M8	1	1	1	1				
7	3	114650-12590	ELEMENT ASSY	1	1	1	1				
10	2	114252-12550	NUT, WING M8	1	1	1	1				
11	1	26366-060002	NUT, M6	3	3						
11-1	1	114250-12300	NUT	3	3	3	3				R
		(A=E33743) (B=E56782)									
12	1	114650-12020	PIPE, AIR INTAKE	1	1						
12-1	1	114699-12020	PIPE, AIR INTAKE	1	1	1	1				R
		(A=E33743) (B=E56977)									
13	1	114650-12300	GASKET	1	1						
13-1	1	114650-12301	GASKET	1	1	1					N
		(A=E12732) (B=E12931)									
14	1	26106-060252	BOLT, M6X 25 PLATED	3	3	3	3				
15	1	26226-060142	STUD, M6X 14	1	1	1	1				
16	1	26226-060752	STUD, M6X 75	2	2	2	2				
17	1	114650-13200	GASKET, MUFFLER	1	1						
17-1	1	114650-13201	GASKET (NON-ASB.)	1	1						N
		(A=E12732) (B=E12931)									
18	1	114970-13550	MUFFLER ASSY	1	1						
18-1	1	114674-13550	MUFFLER ASSY	1	1	1	1				N
		(A=E12732) (B=E12931)									
19	2	160260-01580	BOLT, FLANGE M6X6	10	10	10	10				
20	2	114674-13510	MUFFLER	1	1	1	1				
21	2	183382-13700	COVER	1	1	1	1				
22	2	114970-13710	COVER	1	1	1	1				
23	2	114973-13710	COVER	1	1	1	1				
24	1	26106-080162	BOLT, M8X 16 PLATED	2	2	2	2				
25	1	26226-080202	STUD, M8X 20	2	2						
25-1	1	26216-080182	STUD, M8X 18	2	2	2	2				R
		(A=FROM 1ST) (B=FROM 1ST)									
26	1	26366-080002	NUT, M8	2	2	2	2				
27	1	114658-13800	PIPE	1	1	1	1				
28	2	26554-060182	SCREW, M6X18	1	1	1	1				
29	1	114699-12210	GASKET, AIR CLEANER								1
30	1	114699-12200	GASKET								1
31	1	114699-13200	GASKET, MUFFLER			1	1				

N:Old $\frac{New}{Old}$ New. Q:Old $\frac{New}{Old}$ New. R:Old $\frac{New}{Old}$ New. S:Old $\frac{New}{Old}$ New. W:Add. Z:Discontinued. F:Interchangeable by set. K:Qty Change
 Copyright (C) YANMAR CO., LTD. All Rights Reserved.

OCV10-M44901

Fig.4. CRANKSHAFT,PISTON & CAMSHAFT

4. CRANKSHAFT, PISTON & CAMSHAFT



Remarks

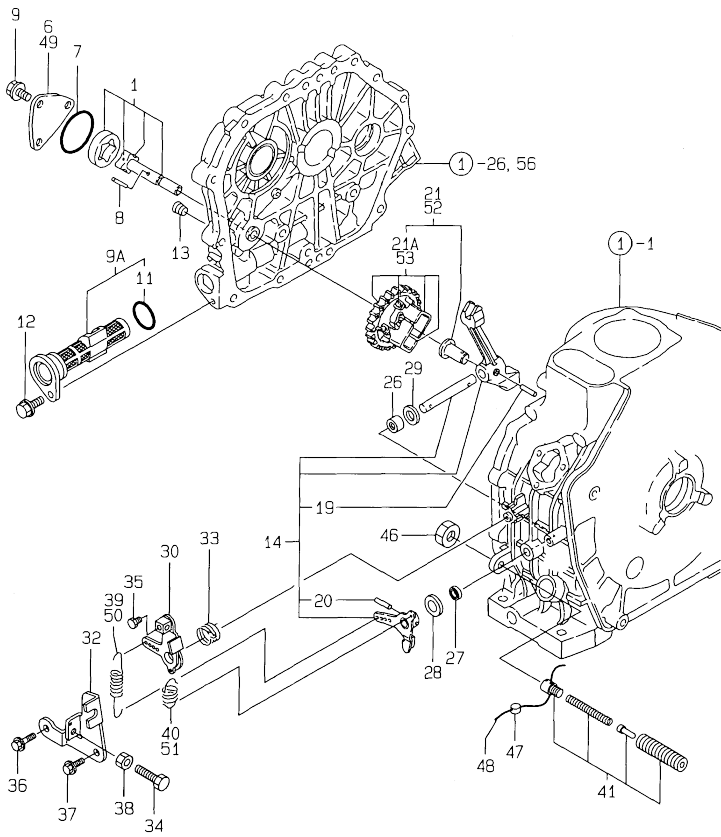
- (1) OVER-SIZE(O.S=0.25)PART.
- (2) OVER-SIZE(O.S=0.50)PART.
- (3) UNDER-SIZE(U.S=0.25)PART.
- (4) UNDER-SIZE(U.S=0.50)PART.

(A)=L100AE-DVBO
(B)=L100AE-DEVBO
(C)=L100AEDVBOYC
(D)=L100AEDEVBOY
(E)=
(F)=

No.	Lev.	Parts No.	Description	Q'ty						I	R
				(A)	(B)	(C)	(D)	(E)	(F)		
1	1	714689-14580	CAMSHAFT ASSY	1	1	1	1				
5	1	114650-14200	TAPPET	2	2	2	2				
6	1	114250-14260	TAPPET	1	1						
6-1	1	114771-14260	TAPPET	1	1	1	1			R	
		(A=E33743) (B=E64554)									
7	1	114650-14401	ROD ASSY, PUSH	2	2	2	2				
11	1	714685-21710	CRANKSHAFT ASSY	1	1	1	1				
18	1	122710-01220	NUT, CYLINDER HEAD	1	1	1	1				
19	1	114650-21551	WASHER	1	1	1	1				
20	1	114660-21401	FLYWHEEL	1							
20-1	1	114660-21402	FLYWHEEL	1		1				S	
		(A=E33743)									
21	1	114662-21592	FLYWHEEL ASSY			1					
21-1	1	114662-21593	FLYWHEEL ASSY			1				S	
		(B=E56977)									
23	2	114662-21601	GEAR, RING			1					
24	1	22512-050140	KEY, 5X 14	1	1	1	1				
25	1	160310-14550	WASHER	1	1	1	1				
26	1	22512-070360	KEY, 7X 36	1	1	1	1				
27	1	26106-080202	BOLT, M8X 20 PLATED	1	1	1	1				
28	1	714980-22720	PISTON ASSY, D	1	1	1	1				
30	2	714970-22500	RING SET, PISTON	1	1	1	1				
36	1	114650-22300	PIN, PISTON D=23	1	1						
36-1	1	114699-22300	PIN, PISTON D=23	1	1	1	1			R	
		(A=E33743) (B=E64554)									
37	1	129792-22400	CIRCLIP, 23	2	2	2	2				
38	1	714650-23700	ROD ASSY, CONNECTING	1	1	1	1				
40	2	124060-23100	BEARING, PISTON PIN	1	1	1	1				
41	2	104200-23201	BOLT, CONNECTING ROD	2	2						
41-1	2	105300-23200	BOLT, CONNECTING ROD	2	2	2	2			N	
		(A=E33743) (B=E56977)									
42	2	714650-23600	BEARING, CRANK PIN	1	1	1	1				
44	1	714970-28510	SHAFT ASSY, BALANCER	1	1						
44-1	1	714970-28511	SHAFT ASSY, BALANCER	1	1	1	1			N	
		(A=E22929) (B=E25220)									
48	1	24101-062034	BEARING, BALL 6203	2	2						
48-1	1	24101-062034	BEARING, BALL 6203	1	1	1	1			K	
		(A=E18073) (B=E12931)									
49	1	714980-22620	PISTON ASSY, 0.25 OS	1	1	1	1			1	
51	2	714970-22540	RING SET, 0.25 OS	1	1	1	1			1	
55	1	714980-22580	PISTON ASSY, 0.50 OS	1	1	1	1			2	
57	2	714970-22550	RING SET, 0.50 OS	1	1	1	1			2	
61	1	714650-23610	BEARING ASSY, 0.25	1	1	1	1			3	
63	1	714650-23620	BEARING, 0.50 US	1	1	1	1			4	
65	1	114699-21590	FLYWHEEL ASSY				1				
67	2	114662-21601	GEAR, RING				1				
68	1	24101-063034	BEARING, BALL 6303	1	1	1	1			W	
		(A=E18073) (B=E12931)									

Fig.5. LUB.OIL PUMP & GOVERNOR

5. LUB.OIL PUMP & GOVERNOR

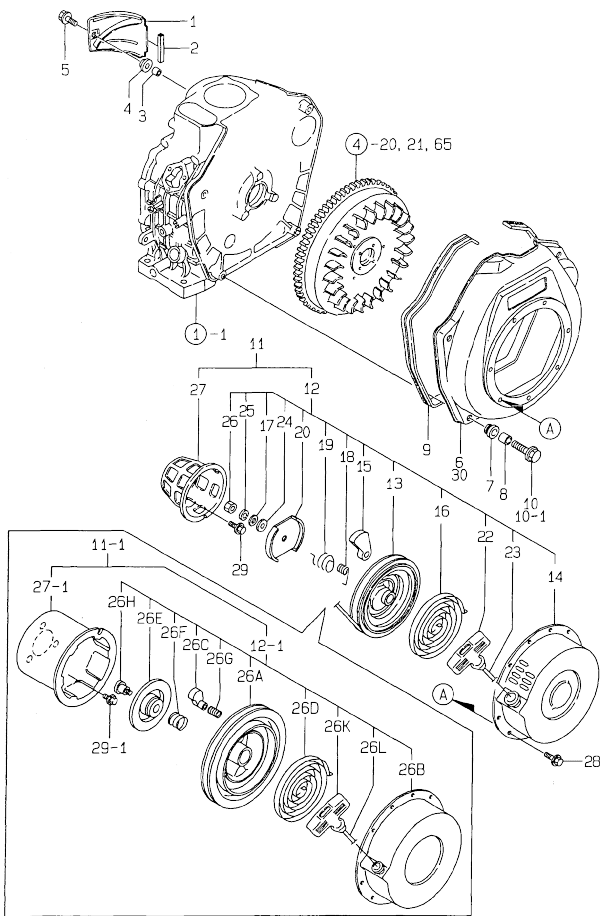


(A)=L100AE-DVBO (D)=L100AEDEVBOY
 (B)=L100AE-DEVBO (E)=
 (C)=L100AEDVBOYC (F)=

No.	Lev.	Parts No.	Description	Q'ty						I	R
				(A)	(B)	(C)	(D)	(E)	(F)		
1	1	114650-32010	PUMP ASSY, OIL	1	1	1	1				
6	1	114250-32070	COVER	1	1	1					
7	1	103338-32570	O-RING	1	1	1	1				
8	1	22312-030160	PIN, PARALLEL M3X16	1	1	1	1				
9	1	26476-060142	SCREW, TAPPING M6X14	3	3	3	3				
9A	1	114250-35110	FILTER ASSY, OIL	1	1	1	1				W
(A=E33743) (B=E36969)											
11	2	24341-000224	O-RING, 1AS22.4	1	1	1	1				
12	1	26106-060162	BOLT, M6X 16 PLATED	1	1	1	1				
13	1	23871-010000	PLUG, R01	1	1						
13-1	1	23876-010000	PLUG, R01	1	1	1	1				N
(A=E33743) (B=E33743)											
14	1	714650-61500	LEVER ASSY, GOVERNOR	1	1	1	1				
19	2	22322-030200	PIN, TAPER 3X20	1	1	1	1				
20	2	22322-030200	PIN, TAPER 3X20	1	1	1	1				
21	1	714685-61700	GOVERNOR ASSY	1	1						
21A	2	114685-61210	WEIGHT ASSY,GOVERNOR	1	1						W
(A=E33743) (B=E33743)											
26	1	114270-61520	BEARING, NEEDLE 8	2	2	2	2				
27	1	114770-61600	SEAL, OIL	1	1	1	1				
28	1	114770-61610	WASHER, THRUST	1	1	1	1				
29	1	22137-080000	WASHER, 8	1	1						
29-1	1	114770-61190	WASHER	1	1	1	1				N
(A=E12732) (B=E12931)											
30	1	114252-66051	HANDLE, REGULATOR	1	1	1	1				
32	1	183360-66110	BRACKET	1	1	1	1				
33	1	114252-66252	SPRING, RETURN	1	1	1	1				
34	1	114250-66440	BOLT, ADJUSTING	1	1	1	1				
35	1	105225-66990	SCREW, M5X8.5	1	1	1	1				
36	1	26106-060202	BOLT, M6X 20 PLATED	1	1	1	1				
37	1	26476-060142	SCREW, TAPPING M6X14	1	1	1	1				
38	1	26757-060002	NUT, LOCK M6	1	1	1	1				
39	1	114970-66010	SPRING, REGULATOR	1	1						
40	1	114250-66200	SPRING, RETURN	1	1						
41	1	114650-66500	LIMITER ASSY, FUEL	1	1	1	1				
46	1	114870-66770	NUT, M10	1	1						
46-1	1	26696-100002	NUT, LOCK M10	1	1	1	1				N
(A=E18073) (B=E12931)											
47	1	135210-61090	LEAD	2	2	2	2				
48	1	22451-060000	WIRE, 0.6	2	2	2	2				
49	1	114299-32070	COVER								1
50	1	114699-66010	SPRING, REGULATOR								1
51	1	114299-66200	SPRING, RETURN								1
52	1	714699-61700	GOVERNOR ASSY								1
53	2	114699-61210	WEIGHT ASSY,GOVERNOR								1

Fig.6. COOLING & STARTING DEVICE

6. COOLING & STARTING DEVICE



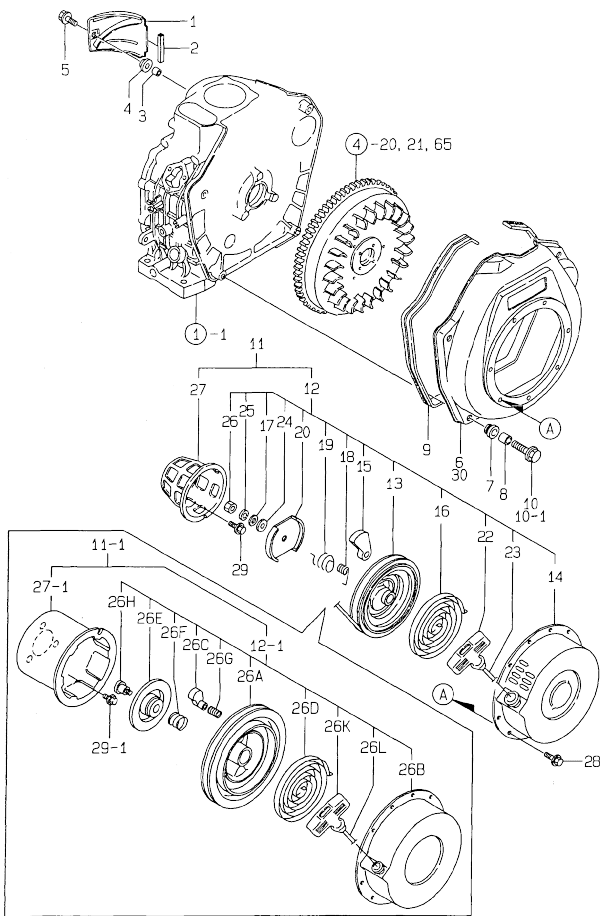
(A)=L100AE-DVBO
(B)=L100AE-DEVBO
(C)=L100AEDVBOYC
(D)=L100AEDEVBOY
(E)=
(F)=

No.	Lev.	Parts No.	Description	Q'ty						I	R
				(A)	(B)	(C)	(D)	(E)	(F)		
1	1	114650-45201	COVER	1	1	1	1				
2	1	114350-45320	RUBBER, SEAL	1	1	1	1				
3	1	114350-45340	COLLAR	1	1	1	1				
4	1	183720-55210	GROMMET	1	1	1	1	1			
5	1	26476-060202	SCREW, TAPPING M6X20	1	1	1	1				
5-1	1	26106-060202	BOLT, M6X 20 PLATED	1	1	1	1				N
(A=E33743) (B=E55014)											
6	1	114668-45102	CASE, COOLING FAN	1	1						
7	1	114250-45300	ABSORBER	4	4						
7-1	1	114250-45301	ABSORBER	4	4	4	4				N
(A=E33743) (B=E36969)											
8	1	114250-45310	COLLAR	4	4	4	4				
9	1	114650-45330	SEAL, FAN CASE L=950	1	1	1	1				
10	1	114370-45350	BOLT	4	4						
10-1	1	114370-45351	BOLT	4	4	4	4				S
(A=E33743) (B=E55014)											
11	1	114660-76050	STARTER ASSY, RECOIL	1	1						
11-1	1	114660-76052	STARTER ASSY, RECOIL	1	1	1	1				N
(A=E33743) (B=E64554)											
12	2	114660-76250	STARTER ASSY, RECOIL	1	1						
12-1	2	114660-76251	STARTER ASSY, RECOIL	1	1	1	1				S
(A=E33743) (B=E64554)											
13	3	114650-76520	REEL	1	1						Z
(A=E33743) (B=E64554)											
14	3	114660-76530	CASE, STARTER	1	1						Z
(A=E33743) (B=E64554)											
15	3	160910-76530	RATCHET	1	1						Z
(A=E33743) (B=E64554)											
16	3	114650-76540	SPRING, SPIRAL	1	1						Z
(A=E33743) (B=E64554)											
17	3	160910-76550	WASHER, THRUST	1	1						Z
(A=E33743) (B=E64554)											
18	3	160910-76560	SPRING, FRICTION	1	1						Z
(A=E33743) (B=E64554)											
19	3	160910-76570	SPRING, RETURN	1	1						Z
(A=E33743) (B=E64554)											
20	3	160910-76580	PLATE, FRICTION	1	1						Z
(A=E33743) (B=E64554)											
22	3	160910-76620	KNOB, STARTER	1	1						Z
(A=E33743) (B=E64554)											
23	3	114650-76630	ROPE, STARTER	1	1						Z
(A=E33743) (B=E64554)											
24	3	160910-76650	WASHER, THRUST	1	1						Z
(A=E33743) (B=E64554)											
25	3	22217-060000	WASHER, SPRING 6	1	1						Z
(A=E33743) (B=E64554)											
26	3	26717-060002	NUT, M6	1	1						Z
(A=E33743) (B=E64554)											
26A	3	114880-76520	REEL	1	1	1	1				W
(A=E33743) (B=E64554)											
26B	3	114660-76531	CASE, STARTER	1	1	1	1				W

N:Old $\frac{REV}{REV}$ New, Q:Old $\frac{REV}{REV}$ New, R:Old $\frac{REV}{REV}$ New, S:Old $\frac{REV}{REV}$ New, W:Add, Z:Discontinued, F:Interchangeable by set, K:Q'ty Change
 ++ CONTINUE ++
 Copyright (C) YANMAR CO., LTD. All Rights Reserved.

Fig.6. COOLING & STARTING DEVICE

6. COOLING & STARTING DEVICE

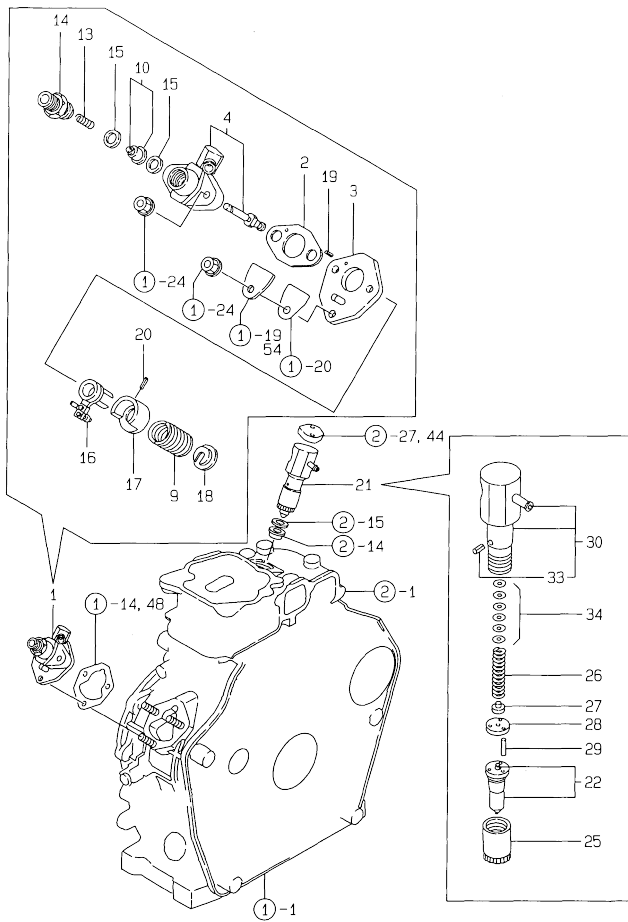


(A)=L100AE-DVBO
 (B)=L100AE-DEVBO
 (C)=L100AEDVBOYC
 (D)=L100AEDEVBOY
 (E)=
 (F)=

No.	Lev.	Parts No.	Description	Qty						I	R
				(A)	(B)	(C)	(D)	(E)	(F)		
26C	3	114870-76530	RATCHET	2	2	2	2			W	
26D	3	114870-76540	SPRING, SPIRAL	1	1	1	1			W	
26E	3	114880-76550	GUIDE, RATCHET	1	1	1	1			W	
26F	3	114870-76560	SPRING, FRICTION	1	1	1	1			W	
26G	3	114870-76570	SPRING, RETURN	2	2	2	2			W	
26H	3	114870-76580	SCREW	1	1	1	1			W	
26K	3	114870-76620	KNOB, STARTER	1	1	1	1			W	
26L	3	114650-76631	ROPE, STARTER	1	1	1	1			W	
27	2	114660-76590	PULLEY, STARTER	1	1					S	
27-1	2	114660-76592	PULLEY, STARTER	1	1	1	1			S	
28	1	26106-060082	BOLT, M6X 8 PLATED	4	4	4	4				
29	1	26106-060122	BOLT, M6X 12 PLATED	4	4						
29-1	1	26106-060122	BOLT, M6X 12 PLATED	3	3	3	3			K	
30	1	114699-45100	CASE, COOLING FAN			1	1				

Fig.7. FUEL INJECTION PUMP

7.FUEL INJECTION PUMP

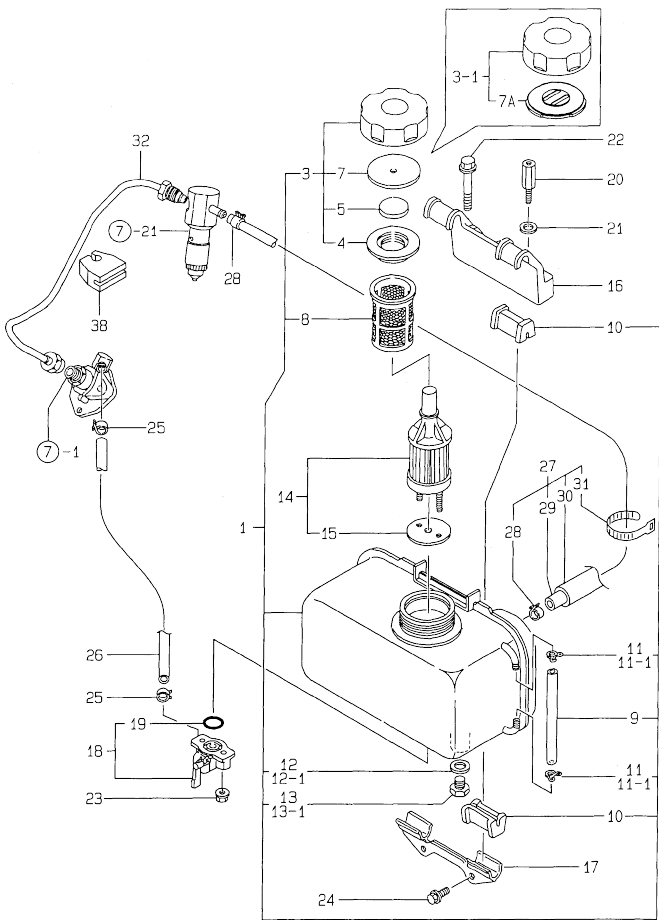


(A)=L100AE-DVBO (D)=L100AEDEVBOY
 (B)=L100AE-DEVBO (E)=
 (C)=L100AEDVBOYC (F)=

No.	Lev.	Parts No.	Description	Q'ty						I	R
				(A)	(B)	(C)	(D)	(E)	(F)		
1	1	714970-51700	PUMP ASSY, INJECTION	1	1	1	1				
2	2	105546-51020	GASKET	1	1	1	1				
3	2	114250-51080	PLATE	1	1	1	1				
4	2	114970-51100	BODY ASSY, PUMP	1	1	1	1				
9	2	114250-51160	SPRING, PLUNGER	1	1	1	1				
10	2	114650-51300	VALVE ASSY, DELIVERY	1	1	1	1				
13	2	105546-51330	SPRING, DELIVERY	1	1	1	1				
14	2	114250-51340	HOLDER, DELIVERY	1	1	1	1				
15	2	124550-51350	GASKET, DELIVERY	2	2	2	2				
16	2	114250-51600	LEVER ASSY, CONTROL	1	1	1	1				
17	2	114250-51640	SEAT, SPRING A	1	1	1	1				
18	2	114250-51650	SEAT, SPRING B	1	1	1	1				
19	2	22351-020006	PIN, SPRING 2.0X 6	2	2	2	2				
20	2	22351-030008	PIN, SPRING 3.0X 8	1	1	1	1				
21	1	714650-53100	VALVE ASSY, INJECTION	1	1	1	1				
22	2	114650-53000	VALVE ASSY, INJECTION	1	1	1	1				
25	2	114250-53080	NUT, NOZZLE D16.95	1	1	1	1				
26	2	114250-53120	SPRING, NOZZLE	1	1	1	1				
27	2	114250-53130	SEAT, SPRING	1	1	1	1				
28	2	114250-53140	PLATE	1	1	1	1				
29	2	114250-53210	PIN	2	2	2	2				
30	2	114650-53300	HOLDER ASSY, NOZZLE	1	1	1	1				
33	3	114250-53331	PIN	1	1	1	1				
34	2	114250-53400	SHIM SET	1	1	1	1				

Fig.8. FUEL TANK & FUEL LINE

B.FUEL TANK & FUEL LINE



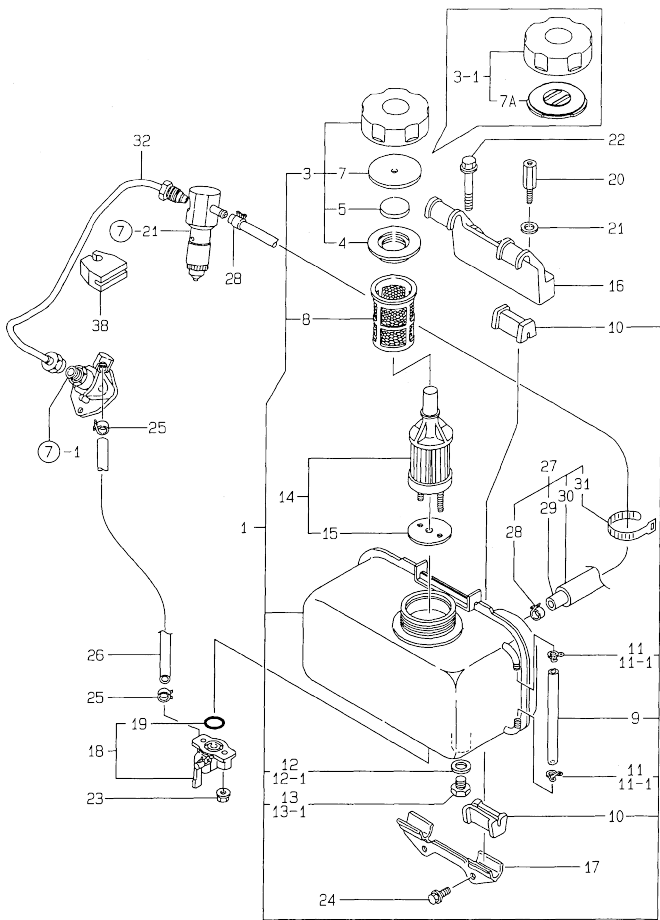
No.	Lev.	Parts No.	Description	Q'ty						I	R
				(A)	(B)	(C)	(D)	(E)	(F)		
1	1	714650-55701-1	TANK ASSY, FUEL	1	1	1	1				
3	2	114250-55041	CAP ASSY	1	1						
3-1	2	114288-55041	CAP ASSY	1	1	1	1				R
4	3	114250-55050	GASKET	1	1						Z
5	3	114250-55060	SEAL	1	1						Z
7	3	114250-55080	SEAT	1	1						Z
7A	3	114288-55081	VALVE	1	1	1	1				W
8	2	114250-55100	FILTER, FUEL	1	1	1	1				
9	2	114650-55150	GAUGE, LEVEL	1	1	1	1				
10	2	114250-55201	DAMPER, FUEL TANK	4	4	4	4				
11	2	124722-59050	CLIP, HOSE 9	2	2						
11-1	2	103854-55220	RETAINER	2	2	2	2				S
12	2	23414-120000	GASKET, 12X1.0	1	1						
12-1	2	23414-080000	GASKET, 8X1.0	1	1	1	1				S
13	2	23887-120002	PLUG, 12	1	1						
13-1	2	105300-55080	PLUG, 8	1	1	1	1				S
14	1	114250-55121	FILTER ASSY, FUEL	1	1	1	1				
15	2	114250-55130	GASKET	1	1	1	1				
16	1	114650-55230	STAY, FUEL TANK	1	1						
16-1	1	114699-55230	STAY, FUEL TANK	1	1	1	1				R
17	1	114250-55211	STAY, FUEL TANK	1	1						
17-1	1	114299-55210	STAY, FUEL TANK	1	1	1	1				R
18	1	114250-55300	COCK ASSY, FUEL	1	1	1	1				
19	2	24341-000150	O-RING, 1AS15.0	1	1	1	1				
20	1	114650-55810	BOLT	1	1	1	1				
21	1	22117-080000	WASHER, 8	1	1	1	1				
22	1	26106-080452	BOLT, M8X 45 PLATED	1	1	1	1				
23	1	26366-060002	NUT, M6	2	2	2	2				
24	1	26476-060142	SCREW, TAPPING M6X14	2	2	2	2				
25	1	106990-44660	CLIP, HOSE 12.5	2	2	2	2				
26	1	114250-59050	PIPE, FUEL L=46	1	1						
26-1	1	114288-59061	PIPE, FUEL L=50	1	1	1	1				N
27	1	114652-59300	PIPE, FUEL RETURN	1	1	1	1				
28	2	124722-59050	CLIP, HOSE 9	2	2	2	2				
29	2	114250-59060	PIPE, FUEL RETURN	1	1						
29-1	2	114650-59060	PIPE, FUEL RETURN	1	1	1	1				N
30	2	114652-59310	TUBE, PROTECT	1	1	1	1				
31	2	121750-59890	BAND, 140	1	1	1	1				
32	1	114650-59800	PIPE ASSY, INJECTION	1	1	1	1				

N:Old ^{REV}/_{REV} New, Q:Old ^{REV}/_{REV} New, R:Old ^{REV}/_{REV} New, S:Old ^{REV}/_{REV} New, W:Add, Z:Discontinued, F:Interchangeable by set, K:Q'ty Change
 ++ CONTINUE ++
 Copyright (C) YANMAR CO., LTD. All Rights Reserved.

OCV10-M44901

Fig.8. FUEL TANK & FUEL LINE

B.FUEL TANK & FUEL LINE



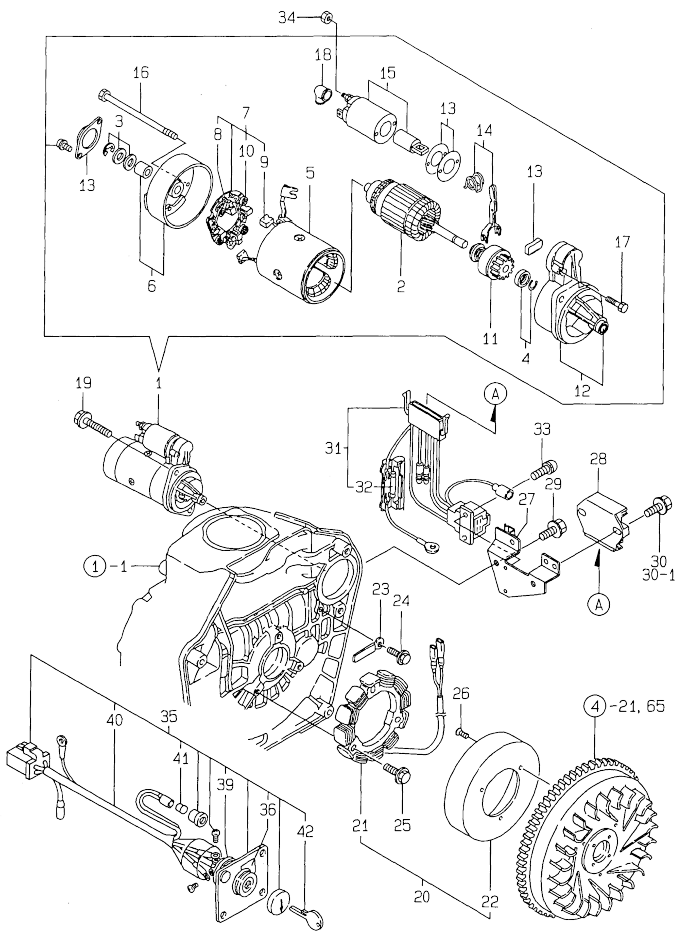
(A)=L100AE-DVBO (D)=L100AEDEVBOY
 (B)=L100AE-DEVBO (E)=
 (C)=L100AEDVBOYC (F)=

No.	Lev.	Parts No.	Description	Q'ty					
				(A)	(B)	(C)	(D)	(E)	(F)
38	1	114650-59850	SUPPORT	1	1	1	1		

N:Old $\frac{100}{100}$ New. Q:Old $\frac{100}{100}$ New. R:Old $\frac{100}{100}$ New. S:Old $\frac{100}{100}$ New. W:Add. Z:Discontinued. F:Interchangeable by set. K:Q'ty Change
 Copyright (C) YANMAR CO., LTD. All Rights Reserved.

Fig.9. STARTING MOTOR & DYNAMO

9. STARTING MOTOR & DYNAMO



(A)=L100AE-DVBO (D)=L100AEDEVBOY
 (B)=L100AE-DEVBO (E)=
 (C)=L100AEDVBOYC (F)=

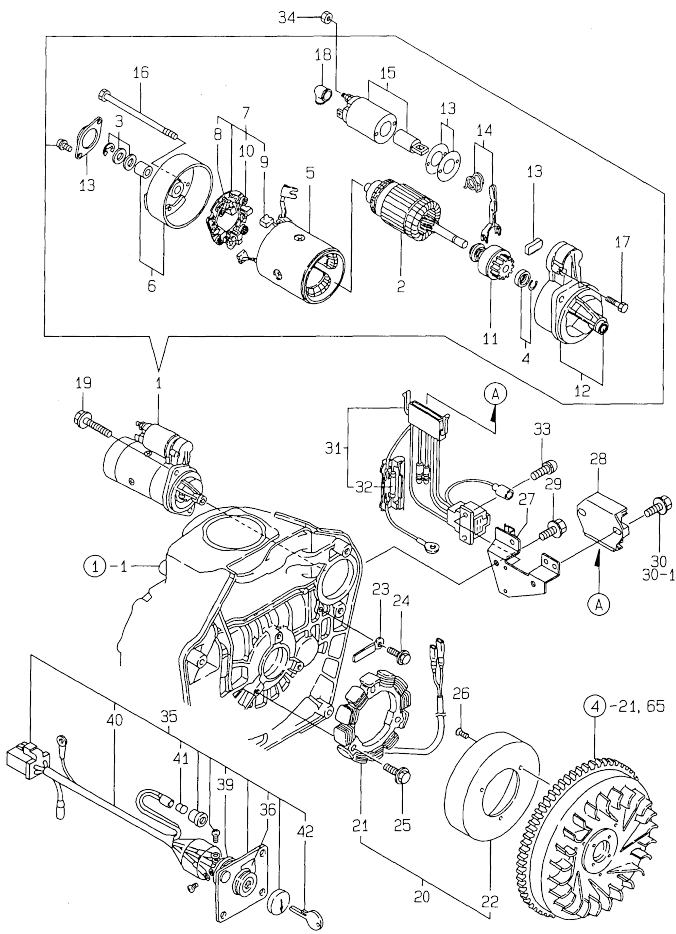
No.	Lev.	Parts No.	Description	Qty						I	R
				(A)	(B)	(C)	(D)	(E)	(F)		
1	1	114362-77011	STARTER(S114-651A)	1							
2	2	114381-77110	ARMATURE	1			1				
3	2	X2114811000	WASHER KIT, THRUST	1			1				
4	2	X2114715500	STOPPER SET, PINION	1			1				
5	2	114381-77130	COIL ASSY, FIELD	1			1				
6	2	114381-77140	COVER, REAR	1			1				
7	2	114371-77160	HOLDER ASSY, BRUSH	1			1				
8	3	114371-79040	BRUSH (-)	2			2				
9	3	114371-79050	BRUSH (+)	1			1				
10	3	114371-79060	SPRING, BRUSH	4			4				
11	2	X2114455080	PINION ASSY	1			1				
12	2	114381-77150	HOUSING ASSY, GEAR	1			1				
13	2	114371-77170	COVER KIT, DUST	1			1				
14	2	X2114560130	LEVER KIT, SHIFT	1			1				
15	2	X2114275010	SWITCH ASSY, MAGNET	1			1				
16	2	X2114680050	BOLT, THROUGH	2			2				
17	2	114371-79070	BOLT M 6X 37	2			2				
18	2	X2114274200	COVER, TERMINAL	1			1				
19	1	26106-100302	BOLT, M10X 30 PLATED	2			2				
20	1	114351-78290	DYNAMO ASSY	1			1				
21	2	114351-78830	STATOR ASSY, 132.1MM	1			1				
22	2	114351-78840	WHEEL, DYNAMO	1			1				
23	1	160710-78710	CLAMP, CORD	1			1				
24	1	26476-060142	SCREW, TAPPING M6X14	1			1				
24-1	1	26106-060122	BOLT, M6X 12 PLATED	1			1				N
		(B=E55014)									
25	1	26476-060202	SCREW, TAPPING M6X20	3			3				
25-1	1	26106-060202	BOLT, M6X 20 PLATED	3			3				R
		(B=E64554)									
26	1	26577-060142	SCREW M 6X 14	3			3				
27	1	114385-77400	BRACKET	1			1				
28	1	119660-77710	LIMITER, CURRENT 15A	1			1				
29	1	26106-060122	BOLT, M6X 12 PLATED	2			2				
30	1	26106-060302	BOLT, M6X 30 PLATED	2			2				
30-1	1	26106-060202	BOLT, M6X 20 PLATED	2			2				S
		(B=E6XXX)									
31	1	114351-77540	HARNES, WIRE	1			1				
32	2	29411-150000	FUSE, CARTRIDGE 15A	2			2				
32-1	2	29411-200000	FUSE, CARTRIDGE 20A	2			2				N
		(B=E36969)									
33	1	114351-77550	SCREW, M4X6	2			2				
33-1	1	26023-040102	SCREW, M4X10	2			2				N
		(B=E36977)									
34	1	26716-080002	NUT, M8	1			1				W
		(B=E52292)									
35	1	114351-77500	PANEL ASSY	1			1				W
		(B=E6XXX)									
36	2	105198-07120	LABEL, STARTER	1			1				W
		(B=E6XXX)									
39	2	106100-77620	SWITCH, KEY	1			1				W
		(B=E6XXX)									

N:Old $\frac{New}{Old}$ New, Q:Old $\frac{New}{Old}$ New, R:Old $\frac{New}{Old}$ New, S:Old $\frac{New}{Old}$ New, W:Add, Z:Discontinued, F:Interchangeable by set, K:Qty Change
 ++ CONTINUE ++
 Copyright (C) YANMAR CO., LTD. All Rights Reserved.

OCV10-M44901

Fig.9. STARTING MOTOR & DYNAMO

9. STARTING MOTOR & DYNAMO



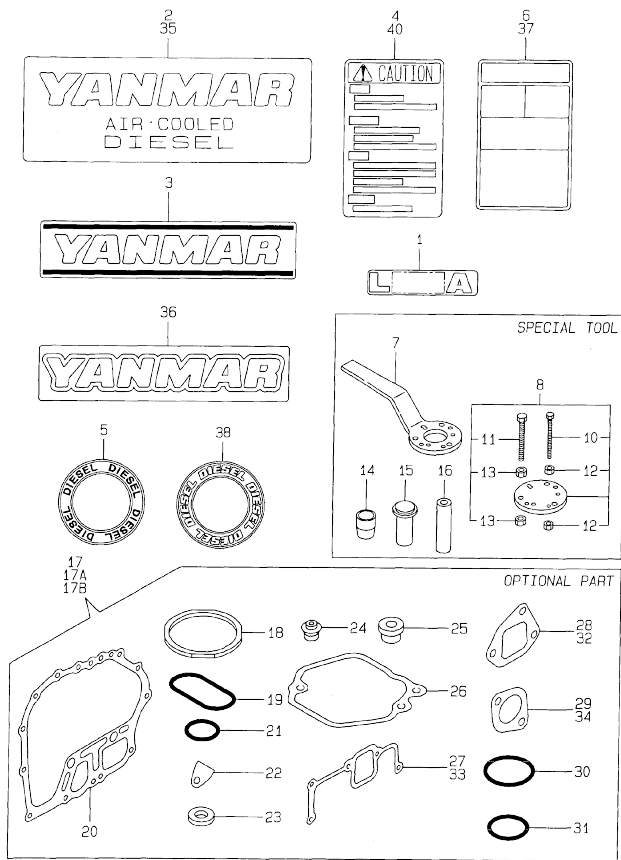
(A)=L100AE-DVBO
 (B)=L100AE-DEVBO
 (C)=L100AEDVBOYC
 (D)=L100AEDEVBOY
 (E)=
 (F)=

No.	Lev.	Parts No.	Description	Q'ty						I	R
				(A)	(B)	(C)	(D)	(E)	(F)		
40	2	114351-77700 (B=E-XXXX)	HARNES, WIRE		1						W
41	3	29220-083200 (B=E-XXXX)	BULB 12V 3.4W		1						W
42	2	106100-77630 (B=E-XXXX)	KEY, SWITCH		2						W

N:Old $\frac{100}{100}$ New. Q:Old $\frac{100}{100}$ New. R:Old $\frac{100}{100}$ New. S:Old $\frac{100}{100}$ New. W:Add. Z:Discontinued. F:Interchangeable by set. K:Q'ty Change
 Copyright (C) YANMAR CO., LTD. All Rights Reserved.

Fig.10. LABEL & GASKET SET(OPTIONAL)

10.LABEL & GASKET SET



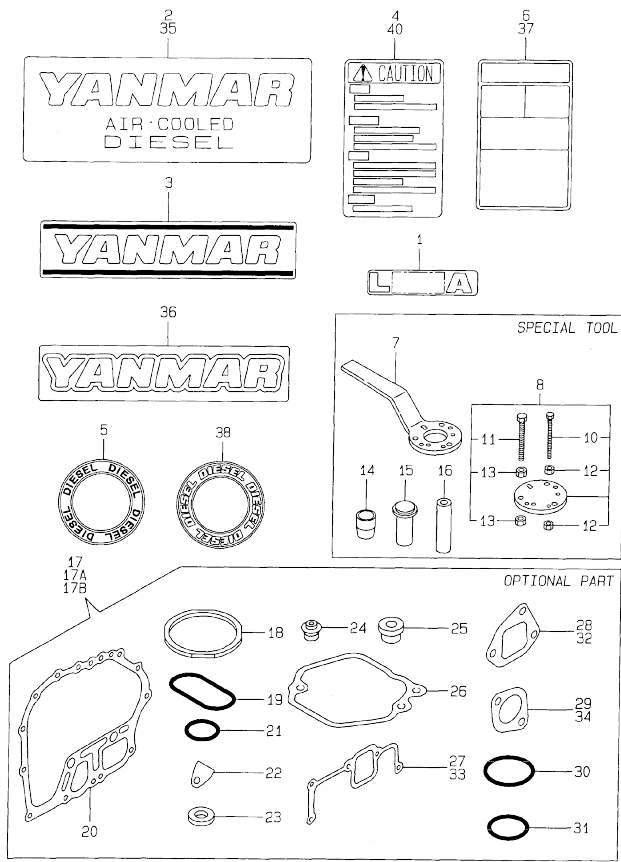
Remarks
(1)OPTIONAL PART.

No.	Lev.	Parts No.	Description	Q'ty						I	R
				(A)	(B)	(C)	(D)	(E)	(F)		
1	1	114970-07050 (A=E12732)	LABEL, (L100A)	1	1						Z
2	1	114250-07090 (B=E12931)	LABEL, AIR COOLED	1	1	1					
3	1	114250-07110	LABEL, YANMAR	1	1						
3-1	1	114250-07111 (A=E12732)	LABEL, YANMAR	1	1	1					N
4	1	114268-07240	LABEL, CAUTION	1	1	1					
5	1	114261-07350	LABEL	1	1	1					
6	1	114268-07350	LABEL, HOW TO START	1	1	1					
7	1	114250-92101	F.W. LOCKING HANDLE	1	1	1	1				1
8	1	114250-92130	REMOVER, FLYWHEEL	1	1	1	1				1
10	2	26116-060454	BOLT M 6X 45 PLATED	4	4	4	4				1
11	2	26116-080454	BOLT, M8X 45 PLATED	3	3	3	3				1
12	2	26716-060002	NUT, M6	8	8	8	8				1
13	2	26716-080002	NUT, M8	6	6	6	6				1
14	1	114661-92300	GUIDE	1	1	1	1				1
15	1	114650-92310	INSTALLING TOOL	1	1	1	1				1
16	1	114650-92350	INSTALLING TOOL	1	1	1	1				1
17	1	714988-92600	GASKET SET	1	1						1
17A	1	714970-91630	GASKET SET			1					1
17B	1	714970-91620	GASKET SET				1				1
18	2	114970-01340	GASKET, HEAD	1	1	1	1				
19	2	114650-01380	O-RING	1	1	1	1				
20	2	114650-01412	GASKET, CRANK CASE	1	1	1	1				
21	2	24311-000180	O-RING, 1AP18.0	2	2						
21-1	2	114299-01950 (A=E12732)	O-RING, 18 (B=E12931)	2	2	2	2				R
22	2	114250-01840	GASKET	1	1						
22-1	2	114250-01841 (A=E12732)	GASKET (B=E12931)	1	1	1	1				N
23	2	22190-160002	WASHER, SEAL 16	3	3	3	3				
24	2	114650-11340	SEAL, VALVE STEM	2	2	2	2				
25	2	114250-11460	GASKET, NOZZLE	1	1	1	1				
26	2	114650-11310	GASKET, BONNET	1	1						
26-1	2	114650-11311 (A=E12732)	GASKET, BONNET (B=E12931)	1	1	1	1				N
27	2	114650-12300	GASKET	1	1						
27-1	2	114650-12301 (A=E12732)	GASKET (B=E12931)	1	1	1					N
28	2	114650-12210	GASKET, AIR CLEANER	1	1						
28-1	2	114650-12211 (A=E12732)	GASKET, AIR CLEANER (B=E12931)	1	1	1					N
29	2	114650-13200	GASKET, MUFFLER	1	1						
29-1	2	114650-13201 (A=E12732)	GASKET (NON-ASB.) (B=E12931)	1	1						N
30	2	103338-32570	O-RING	1	1	1	1				
31	2	24341-000224	O-RING, 1AS22.4	1	1	1	1				
32	2	114699-12210	GASKET, AIR CLEANER								1
33	2	114699-12200	GASKET								1
34	2	114699-13200	GASKET, MUFFLER					1	1		
35	1	114299-07100	LABEL, AIR COOLED								1

N:Old $\frac{100}{100}$ New, Q:Old $\frac{100}{100}$ New, R:Old $\frac{100}{100}$ New, S:Old $\frac{100}{100}$ New, W:Add, Z:Discontinued, F:Interchangeable by set, K:Q'ty Change
 ++ CONTINUE ++
 Copyright (C) YANMAR CO., LTD. All Rights Reserved.

Fig.10. LABEL & GASKET SET(OPTIONAL)

10.LABEL & GASKET SET



Remarks
(1)OPTIONAL PART.

(A)=L100AE-DVBO (D)=L100AEDEVBOY
(B)=L100AE-DEVBO (E)=
(C)=L100AEDVBOYC (F)=

No.	Lev.	Parts No.	Description	Qty						I	R	
				(A)	(B)	(C)	(D)	(E)	(F)			
36	1	114299-07110	LABEL, YANMAR				1					
37	1	114299-07140	LABEL, HOW TO START				1					
38	1	114299-07160	LABEL, DIESEL				1					
40	1	114299-07120	LABEL, CAUTION				1					

Parts No. Index

Parts No.	Fig. No.	Ref. No.	Parts No.	Fig. No.	Ref. No.	Parts No.	Fig. No.	Ref. No.	Parts No.	Fig. No.	Ref. No.
103338-32570	5	7	114250-51650	7	18	114350-01700	1	5	114650-11652	2	17
	10	30	114250-53080	7	25	114350-11470	2	15	114650-11951	2	33
103854-55220	8	11 -1	114250-53120	7	26	114350-45320	6	2	114650-12020	3	12
104200-23201	4	41	114250-53130	7	27	114350-45340	6	3	114650-12210	3	1
104211-11370	2	13	114250-53140	7	28	114351-77500	9	35		10	28
		26	114250-53210	7	29	114351-77540	9	31	114650-12211	3	1 -1
105025-01220	1	7	114250-53331	7	33	114351-77550	9	33		10	28 -1
105198-07120	9	36	114250-53400	7	34	114351-77700	9	40	114650-12300	3	13
105225-66990	5	35	114250-55041	8	3	114351-78290	9	20		10	27
105300-23200	4	41 -1	114250-55050	8	4	114351-78830	9	21	114650-12301	3	13 -1
105300-55080	8	13 -1	114250-55060	8	5	114351-78840	9	22		10	27 -1
105425-01690	1	32	114250-55080	8	7	114362-77011	9	1	114650-12520	3	4
105546-51020	7	2	114250-55100	8	8	114370-45350	6	10	114650-12530	3	5
105546-51330	7	13	114250-55121	8	14	114370-45351	6	10 -1	114650-12590	3	7
106100-77620	9	39	114250-55130	8	15	114371-77160	9	7	114650-13200	3	17
106100-77630	9	42	114250-55201	8	10	114371-77170	9	13		10	29
106990-44660	8	25	114250-55211	8	17	114371-79040	9	8	114650-13201	3	17 -1
114250-01800	1	14	114250-55300	8	18	114371-79050	9	9		10	29 -1
114250-01830	1	19	114250-59050	8	26	114371-79060	9	10	114650-14200	4	5
114250-01840	1	20	114250-59060	8	29	114371-79070	9	17	114650-14401	4	7
	10	22	114250-66200	5	40	114381-77110	9	2	114650-21551	4	19
114250-01841	1	20 -1	114250-66440	5	34	114381-77130	9	5	114650-22300	4	36
	10	22 -1	114250-92101	10	7	114381-77140	9	6	114650-32010	5	1
114250-02030	1	37	114250-92130	10	8	114381-77150	9	12	114650-45201	6	1
114250-03591	2	35	114252-12550	3	10	114385-77400	9	27	114650-45330	6	9
		47	114252-12560	3	6	114650-01230	1	8	114650-51300	7	10
114250-03640	2	38	114252-66051	5	30	114650-01240	1	9	114650-53000	7	22
		50	114252-66252	5	33	114650-01250	1	10	114650-53300	7	30
114250-07090	10	2	114261-07350	10	5	114650-01260	1	11	114650-55150	8	9
114250-07110	10	3	114268-07240	10	4	114650-01380	1	13	114650-55230	8	16
114250-07111	10	3 -1	114268-07350	10	6		10	19	114650-55810	8	20
114250-11240	2	19	114268-59061	8	26 -1	114650-01412	1	25	114650-59060	8	29 -1
		24	114270-01600	1	21		10	20	114650-59800	8	32
114250-11460	2	14	114270-61520	5	26	114650-02100	1	28	114650-59850	8	38
	10	25	114288-55041	8	3 -1		58		114650-66500	5	41
114250-11900	2	27	114288-55081	8	7 A	114650-02150	1	38	114650-76520	6	13
114250-11901	2	27 -1	114299-01800	1	48	114650-02200	1	43	114650-76540	6	16
114250-12300	3	11 -1	114299-01830	1	54	114650-02210	1	44	114650-76630	6	23
114250-14260	4	6	114299-01950	1	35 -1	114650-11010	2	1	114650-76631	6	26 L
114250-32070	5	6		10	21 -1	114650-11011	2	1 -1	114650-92310	10	15
114250-35110	5	9 A	114299-02030	1	37 -1	114650-11100	2	5	114650-92350	10	16
114250-35150	1	30	114299-07100	10	35	114650-11121	2	7	114652-59300	8	27
114250-45300	6	7	114299-07110	10	36	114650-11261	2	11	114652-59310	8	30
114250-45301	6	7 -1	114299-07120	10	40	114650-11310	2	32	114654-11110	2	6
114250-45310	6	8	114299-07140	10	37		10	26	114658-13800	3	27
114250-51080	7	3	114299-07160	10	38	114650-11311	2	32 -1	114660-01471	1	26
114250-51160	7	9	114299-11900	2	44		10	26 -1	114660-21401	4	20
114250-51340	7	14	114299-32070	5	49	114650-11340	2	12	114660-21402	4	20 -1
114250-51600	7	16	114299-55210	8	17 -1		10	24	114660-76050	6	11
114250-51640	7	17	114299-66200	5	51	114650-11600	2	16	114660-76052	6	11 -1

Parts No. Index

Parts No.	Fig. No.	Ref. No.
114660-76250	6	12
114660-76251	6	12 -1
114660-76530	6	14
114660-76531	6	26 B
114660-76590	6	27
114660-76592	6	27 -1
114661-92300	10	14
114662-21592	4	21
114662-21593	4	21 -1
114662-21601	4	23
	67	
114668-45102	6	6
114674-13510	3	20
114674-13550	3	18 -1
114685-61210	5	21 A
114699-01220	1	45
114699-01230	1	46
114699-01330	1	47
114699-01410	1	55
114699-01450	1	56
114699-01760	1	33 -1
114699-11950	2	45
114699-12020	3	12 -1
114699-12200	3	30
	10	33
114699-12210	3	29
	10	32
114699-13200	3	31
	10	34
	4	65
114699-21590	4	36 -1
114699-22300	6	30
114699-45100	8	16 -1
114699-55230	5	53
114699-61210	5	50
114699-66010	5	29 -1
114770-61190	5	27
114770-61600	5	28
114770-61610	4	6 -1
114771-14260	5	46
114870-66770	6	26 C
114870-76530	6	26 D
114870-76540	6	26 F
114870-76560	6	26 G
114870-76570	6	26 H
114870-76580	6	26 K
114870-76620	6	26 A
114880-76520	6	26 E
114880-76550	1	12
114970-01340	10	18

Parts No.	Fig. No.	Ref. No.
114970-07050	10	1
114970-13550	3	18
114970-13710	3	22
114970-51100	7	4
114970-66010	5	39
114973-13710	3	23
119620-11180	2	8
119660-77710	9	28
121750-59890	8	31
122710-01220	4	18
124060-23100	4	40
124550-51350	7	15
124722-59050	8	11
	28	
129792-22400	4	37
135210-61090	5	47
160260-01580	3	19
160310-14550	4	25
160710-78710	9	23
160910-01740	1	33
160910-76530	6	15
160910-76550	6	17
160910-76560	6	18
160910-76570	6	19
160910-76580	6	20
160910-76620	6	22
160910-76650	6	24
183360-66110	5	32
183382-13700	3	21
183720-55210	6	4
22117-080000	8	21
22137-080000	5	29
22190-160002	1	36
	10	23
22217-060000	6	25
22312-030160	2	40
	5	52
	5	8
22322-030200	5	19
	20	
22351-020006	7	19
22351-030008	7	20
22351-040008	2	28
22451-060000	5	48
22512-050140	4	24
22512-070360	4	26
23414-080000	8	12 -1
23414-120000	8	12
23871-010000	5	13
23876-010000	5	13 -1

Parts No.	Fig. No.	Ref. No.
23887-120002	8	13
24101-062034	4	48
	48	-1
24101-063034	4	68
24162-152112	1	39
24311-000180	1	35
	10	21
24341-000150	8	19
24341-000224	5	11
	10	31
24423-355008	1	40
	41	
26023-040102	9	33 -1
26106-060082	6	28
26106-060122	6	29
	29	-1
	9	24 -1
	29	
26106-060162	5	12
26106-060202	5	36
	6	5 -1
	9	25 -1
	30	-1
26106-060252	3	14
26106-060302	9	30
26106-060702	2	43
26106-080122	1	42
26106-080162	3	24
26106-080202	4	27
26106-080352	1	31
26106-080452	8	22
26106-100122	1	6
26106-100302	9	19
26106-100552	2	29
26116-060454	10	10
26116-080454	10	11
26216-080182	3	25 -1
26226-060142	3	15
26226-060182	1	22
26226-060222	1	23
26226-060502	2	30
26226-060752	3	16
26226-080202	3	25
26366-060002	1	24
	2	31
	3	11
	8	23
26366-080002	3	26
26476-060142	5	9
	37	

Parts No.	Fig. No.	Ref. No.
26476-060142	8	24
	9	24
26476-060202	6	5
	9	25
26554-060182	3	28
26577-060142	9	26
26696-100002	5	46 -1
26716-060002	10	12
26716-080002	9	34
	10	13
26717-060002	6	26
26756-060002	2	20
	25	
26757-060002	5	38
26856-060002	2	20 -1
	25	-1
27310-070001	2	9
29220-083200	9	41
29411-150000	9	32
29411-200000	9	32 -1
714650-12560	3	2
714650-23600	4	42
714650-23610	4	61
714650-23620	4	63
714650-23700	4	38
714650-53100	7	21
714650-55701-1	8	1
714650-61500	5	14
714670-11660	2	21
714685-21710	4	11
714685-61700	5	21
714689-14580	4	1
714699-61700	5	52
714970-01560	1	1
714970-22500	4	30
714970-22540	4	51
714970-22550	4	57
714970-28510	4	44
714970-28511	4	44 -1
714970-51700	7	1
714970-91620	10	17 B
714970-91630	10	17 A
714980-22580	4	55
714980-22620	4	49
714980-22720	4	28
714988-92600	10	17
X2114274200	9	18
X2114275010	9	15
X2114455080	9	11
X2114560130	9	14

Parts No. Index

Parts No.	Fig. No.	Ref. No.
X2114680050	9	16
X2114715500	9	4
X2114811000	9	3

Parts No.	Fig. No.	Ref. No.
-----------	----------	----------

Parts No.	Fig. No.	Ref. No.
-----------	----------	----------

Parts No.	Fig. No.	Ref. No.
-----------	----------	----------