

0CW10-M22500EN

Introduction

1. This parts catalog is a first edition of the L100AE-DE1 Diesel engine for YSA.

	Parts catalog No.	Date of issue	Remarks
First edition	000Y00W2250	Sep., 2007	

2. This parts catalog does not contain the technical data needed for maintenance service.

3. The illustrations used in this parts catalog have been simplified for clarity.

4. The contents of this parts catalog are subject to change without notice.

5. Be sure to use only Yanmar genuine parts for repairs. If imitation parts are used, it may cause engine defects.

How to read this Parts Catalog.

- 1.Parts mentioned in Parts Catalog may not necessarily be standard equipping parts
- 2.Parts change may be made without prior notice.
- 3.Form of this Parts Catalog.

Y00F2161 29. FUEL INJECTION PUMP (W/BOOST)								(A)=4JH-DT	(D)=4JH-DTZA	
								(B)=4JH-DTZ	(E)=4JH-DTZY	
								(C)=4JH-DTZP	(F)=	
① REF.	② LEV.	PARTS No.	DESCRIPTION	QTY						I R
				(A)	(B)	(C)	(D)	(E)	(F)	
1		729595-51390	FUEL INJECTION PUMP	1	1	1	1	1		
1-1		729595-51391	FUEL INJECTION PUMP	1	1	1	1	1		N 1
	⑤	(A=E00185) (B=E00200)								
3	2	26022-060162	SCREW M 6X16	9	9	9	9	9		
I 3-1	2	26022-060162	SCREW M 6X16	4	4	4	4	4		K
		(A=E00156) (B=E00156) (C=E00156) (D=E00156) (E=E00156)								
4	2	129470-51040	CAMSHFT	9	9	9	9	9		
5	2	122710-51050	BEARING. ROLLER	9	9	9	9	9		
6	2	129470-51060	RETAINER	9	9	9	9	9		

Remarks

(1) BOOST COMPEMSATOR TYPE. OPTIONAL PART. TO E/#00155 (4JH-DT, 4JH-DTZ)

①Ref. No,

The Ref. No, in the list may not be in accordance with the Ref. No, on illustration.

(Ex.) illustration No, List heed No,
 1 1 (Before change) → 1-1 (After change)

When interchangeable symbol N, and k, illustrations for the new parts are sometimes omitted.

②Lev. (Level)

Indication and Meaning of Level

Level Hereunder is given the relation among the number of number (1,2,3) the level and the nominal parent-child relationship.

- 1 ---- Parent parts (Assembly parts)
- 2 ---- Child parts included in " 1 " (Semi-Assembly parts, component parts of Assembly parts.)
- 3 ---- Child parts included in " 2 ", Grand-child parts in terms of " 1 ".
(Component parts of Semi-Assembly parts.)

Note) A parts of non-sale parts are illustrated but not listed.

③Change Mark

Change Mark " I " is given to the part for which a design change was made at this time.

The design change was not shown in the last published Parts Catalog.

④Interchangeability Mark

In the case where a part change took place, one of the following interchangeability marks is indicated for that part

Symbol	Interchangeability	Contents note
N	Old ← → New	New Part is interchangeable for Old Part but not interchangeable conversely.
Q	Old ← → New	New Part is not interchangeable for Old Part but interchangeable conversely.
R	Old ← → New	New Part is interchangeable for Old Part and vice versa.
S	Old ← → New	New Part is not interchangeable for Old Part and vice versa.
W		Part newly added.
Z		Part discontinued.
F		Not interchangeable single part but interchangeable by set of the related parts.
K		Changed only in quantity used.

⑤Effective Machine No,

When a part is changed, Effective Machine No, of a Model for which the part is applicable is indication

In each column of (A)-(F).

Product Symbol	Product No,	Product Symbol	Product No,
C	Clutch No, Compressor No,	M	Machine No,
D	Drive No,	T	Tractor No,
E	Engine No,	Note 1)※	Date

Note 1) Date may follow the symbol in some cases.(Ex.) ※1996.01

Note 2) As far as engine models shown by " XXX " are concerned, the modification of the parts could not be Predicted or the engine models themselves could not be identified.

Note 3) (A=E/#00185) means that the design change on the part has been effective for the model at the, column (A) (in the case, for 4JH-DT) on and from E/#(Engine Serial Number) 00185

⑥Remarks Mark

Figures or alphabets (Symbols) are entered in the remark column.

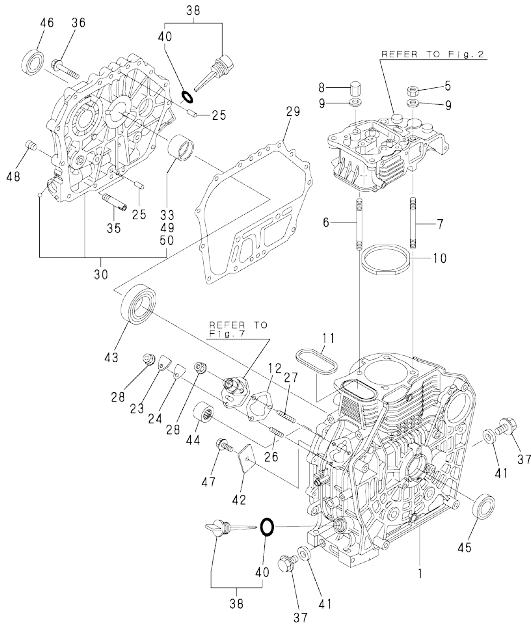
The comments (remarks) on the pertinent parts are indicated in the lower part of the list by the same symbols a those stated above.

Contents

Fig. No.	Fig. Name	Fig. No.	Fig. Name
L100AE-DE1			
1.	CYLINDER BLOCK		
2.	CYLINDER HEAD & BONNET		
3.	AIR CLEANER & MUFFLER		
4.	CRANKSHAFT,PISTON & CAMSHAFT		
5.	LUB.OIL PUMP & GOVERNOR		
6.	COOLING & STARTING DEVICE		
7.	FUEL INJECTION PUMP & FUEL INJECTION VALVE		
8.	FUEL TANK & FUEL PIPE		
9.	STARTING MOTOR & DYNAMO		
10.	TOOL,LABEL & GASKET SET		

OCW10-M22500

Fig.1. CYLINDER BLOCK



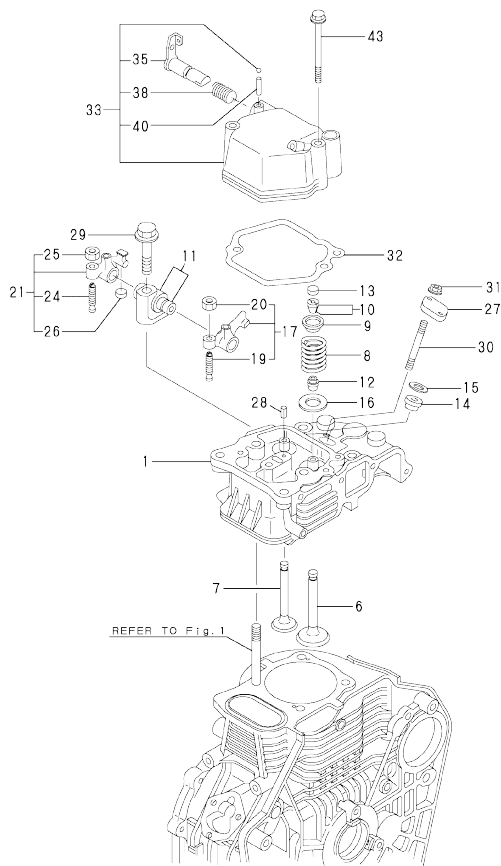
No.	Lev.	Parts No.	Description	Q'ty						I	R
				(A)	(B)	(C)	(D)	(E)	(F)		
1	1	114970-01022	BLOCK ASSY, CYLINDER	1							
5	1	105025-01220	NUT, CYLINDER HEAD	2							
6	1	114650-01230	BOLT, HEAD	2							
7	1	114650-01240	BOLT, HEAD	2							
8	1	114650-01250	NUT, CYLINDER HEAD	2							
9	1	114650-01260	WASHER	4							
10	1	114970-01340	GASKET, HEAD	1							
11	1	114650-01380	O-RING	1							
12	1	114250-01800	SHIM SET	1							
23	1	114250-01830	COVER	1							
24	1	114250-01841	GASKET	1							
25	1	114270-01600	PIN, M8X12	2							
26	1	26226-060182	STUD, M6X 18	1							
27	1	26226-060222	STUD, M6X 22	2							
28	1	26366-060002	NUT, M6	3							
29	1	114650-01412	GASKET, CRANK CASE	1							
30	1	114660-01471	COVER, CRANK CASE	1							
33	2	114650-02100	BEARING, MAIN	1							1
35	1	114250-35150	PIPE, OIL INLET	1							
36	1	26106-080352	BOLT, M8X 35 PLATED	16							
37	1	105425-01690	PLUG, 16	2							
38	1	114699-01760	CAP ASSY	2							
40	2	114299-01950	O-RING, 18	2							
41	1	22190-160002	WASHER, SEAL 16	2							
42	1	114299-02030	RETAINER, BEARING	1							
43	1	114650-02150	BEARING, HR6308G3C3	1							
44	1	24162-152112	BEARING, 152112	1							
45	1	24423-355008	SEAL, OIL TC355008	1							
46	1	24423-355008	SEAL, OIL TC355008	1							
47	1	26106-080122	BOLT, M8X 12 PLATED	1							
48	1	23876-010000	PLUG, R01	1							
49	1	114650-02200	BEARING, 0.25 US	1							2
50	1	114650-02210	BEARING, 0.50 US	1							3

Remarks

- (1)REPAIR PART.
- (2)UNDER SIZED(U.S.=0.25)PART.
- (3)UNDER SIZED(U.S.=0.50)PART.

N:Old $\frac{New}{Old}$ New, Q:Old $\frac{New}{Old}$ New, R:Old $\frac{New}{Old}$ New, S:Old $\frac{New}{Old}$ New, W:Add, Z:Discontinued, F:Interchangeable by set, K:Qty Change
 Copyright (C) YANMAR CO., LTD. All Rights Reserved.

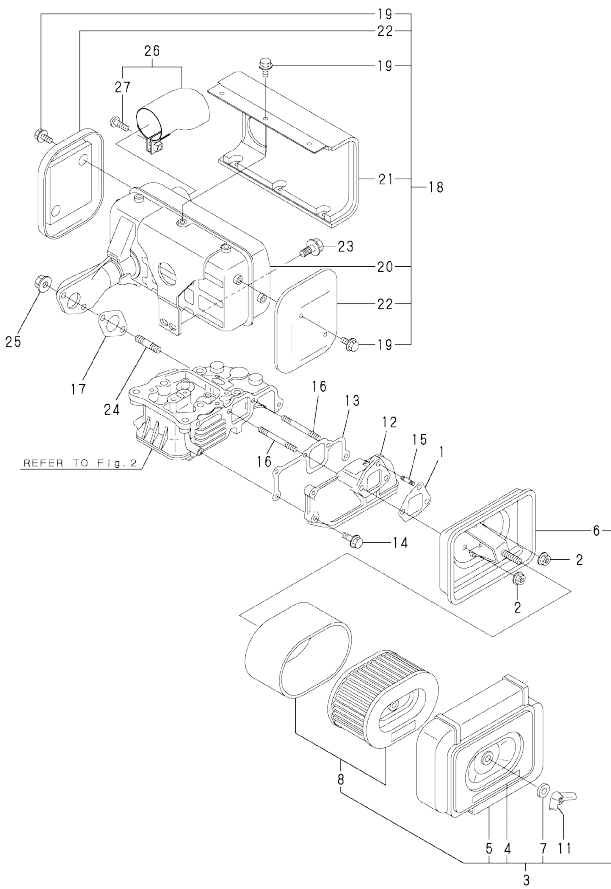
Fig.2. CYLINDER HEAD & BONNET



No.	Lev.	Parts No.	Description	Q'ty						I	R
				(A)	(B)	(C)	(D)	(E)	(F)		
1	1	114650-11011	HEAD ASSY, CYLINDER	1							
6	1	114650-11100	VALVE, INTAKE	1							
7	1	114654-11110	VALVE, EXHAUST	1							
8	1	114650-11121	SPRING, VALVE	2							
9	1	119620-11180	RETAINER, SPRING	2							
10	1	27310-070001	COTTER, 7	2							
11	1	114650-11261	SUPPORT, ROCKER ARM	1							
12	1	114650-11340	SEAL, VALVE STEM	2							
13	1	104211-11370	CAP, VALVE	1							
14	1	114250-11460	GASKET, NOZZLE	1							
15	1	114350-11470	SPACER, NOZZLE	1							
16	1	114650-11600	WASHER	2							
17	1	114650-11652	ARM, ROCKER	1							
19	2	114250-11240	SCREW, VALVE ADJUST	1							
20	2	26856-060002	NUT, M6	1							
21	1	714670-11660	ARM ASSY, ROCKER	1							
24	3	114250-11240	SCREW, VALVE ADJUST	1							
25	3	26856-060002	NUT, M6	1							
26	2	104211-11370	CAP, VALVE	1							
27	1	114250-11901	RETAINER, NOZZLE	1							
28	1	22351-040008	PIN, SPRING 4.0X 8	1							
29	1	26106-100552	BOLT, M10X 55 PLATED	1							
30	1	26226-060502	STUD, M6X 50	2							
31	1	26366-060002	NUT, M6	2							
32	1	114650-11311	GASKET, BONNET	1							
33	1	114650-11951	BONNET ASSY, HEAD	1							
35	2	114250-03591	LEVER ASSY	1							
38	2	114250-03640	SPRING, DECOMPRESSION	1							
40	2	22312-030160	PIN, PARALLEL M3X16	1							
43	1	26106-060702	BOLT, M6X 70 PLATED	2							

OCW10-M22500

Fig.3. AIR CLEANER & MUFFLER

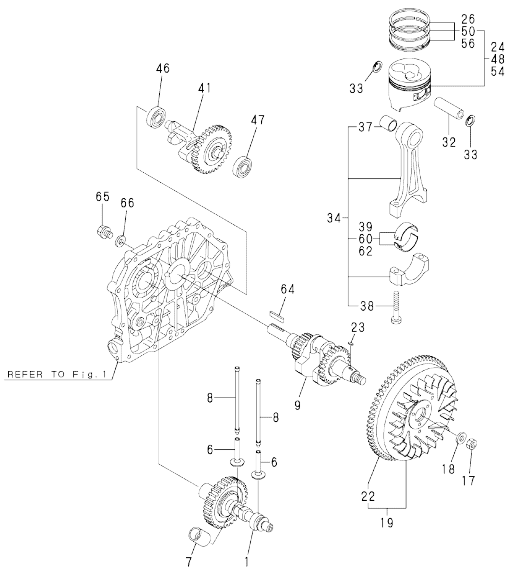


No.	Lev.	Parts No.	Description	Q'ty						I	R
				(A)	(B)	(C)	(D)	(E)	(F)		
1	1	114650-12211	GASKET, AIR CLEANER	1							
2	1	114250-12300	NUT	3							
3	1	114980-12510	CLEANER ASSY, AIR	1							
4	2	114650-07450	LABEL, AIR CLEANER	1							
5	2	114650-12520	COVER, AIR CREAMER	1							
6	2	114980-12530	CASE ASSY, CLEANER	1							
7	2	114252-12560	WASHER, SEAL M8	1							
8	2	114650-12590	ELEMENT ASSY	1							
11	1	114252-12550	NUT, WING M8	1							
12	1	114699-12020	PIPE, AIR INTAKE	1							
13	1	114650-12301	GASKET	1							
14	1	26106-060252	BOLT, M6X 25 PLATED	3							
15	1	26226-060142	STUD, M6X 14	1							
16	1	26226-060752	STUD, M6X 75	2							
17	1	114650-13201	GASKET (NON-ASB.)	1							
18	1	114970-13551	MUFFLER ASSY	1							
19	2	160260-01580	BOLT, FLANGE M6X6	10							
20	2	114970-13561	MUFFLER	1							
21	2	114970-13700	COVER	1							
22	2	114970-13710	COVER	2							
23	1	26106-080182	BOLT, M8X 18 PLATED	2							
24	1	26216-080182	STUD, M8X 18	2							
25	1	26306-080002	NUT, M8	2							
26	1	114658-13800	PIPE	1							
27	2	26554-060182	SCREW, M6X18	1							

N:Old $\frac{New}{Old}$ New, Q:Old $\frac{New}{Old}$ New, R:Old $\frac{New}{Old}$ New, S:Old $\frac{New}{Old}$ New, W:Add, Z:Discontinued, F:Interchangeable by set, K:Q'ty Change
 Copyright (C) YANMAR CO., LTD. All Rights Reserved.

OCW10-M22500

Fig.4. CRANKSHAFT,PISTON & CAMSHAFT



No.	Lev.	Parts No.	Description	Q'ty						I	R
				(A)	(B)	(C)	(D)	(E)	(F)		
1	1	714689-14580	CAMSHAFT ASSY	1							
6	1	114650-14200	TAPPET	2							
7	1	114771-14260	TAPPET	1							
8	1	114650-14402	ROD ASSY, PUSH	2							
9	1	714668-21700	CRANKSHAFT ASSY	1							
17	1	122710-01220	NUT, CYLINDER HEAD	1							
18	1	114650-21551	WASHER	1							
19	1	114699-21590	FLYWHEEL ASSY	1							
22	2	114662-21601	GEAR, RING	1							
23	1	22512-050140	KEY, 5X 14	1							
24	1	714980-22721	PISTON ASSY, D	1							
26	2	714970-22500	RING SET, PISTON	1							
32	1	114699-22300	PIN, PISTON D=23	1							
33	1	129792-22400	CIRCLIP, 23	2							
34	1	714699-23700	ROD ASSY, CONNECTING	1							
37	2	124060-23100	BEARING, PISTON PIN	1							
38	2	105300-23200	BOLT, CONNECTING ROD	2							
39	2	714650-23600	BEARING, CRANK PIN	1							
41	1	714970-28511	SHAFT ASSY, BALANCER	1							
46	1	24101-062034	BEARING, BALL 6203	1							
47	1	24101-063034	BEARING, BALL 6303	1							
48	1	714980-22621	PISTON ASSY, 0.25 OS	1							1
50	2	714970-22540	RING SET, 0.25 OS	1							1
54	1	714980-22581	PISTON ASSY, 0.50 OS	1							2
56	2	714970-22550	RING SET, 0.50 OS	1							2
60	1	714650-23610	BEARING ASSY, 0.25	1							3
62	1	714650-23620	BEARING, 0.50 US	1							4
64	1	160842-21150	KEY, 6.3X50	1							
65	1	160842-21250	BOLT, 7/16-20UNF	1							
66	1	160842-21260	WASHER	1							

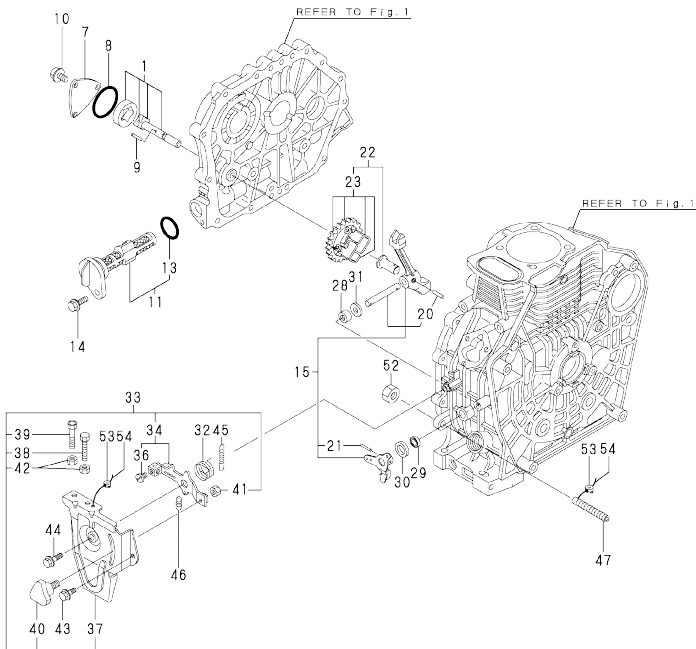
Remarks

- (1) OVER SIZED(O.S.=0.25)PART.
- (2) OVER SIZED(O.S.=0.50)PART.
- (3) UNDER SIZED(U.S.=0.25)PART.
- (4) UNDER SIZED(U.S.=0.50)PART.

N:Old $\frac{New}{100}$ New, Q:Old $\frac{New}{100}$ New, R:Old $\frac{New}{100}$ New, S:Old $\frac{New}{100}$ New, W:Add, Z:Discontinued, F:Interchangeable by set, K:Q'ty Change
 Copyright (C) YANMAR CO., LTD. All Rights Reserved.

OCW10-M22500

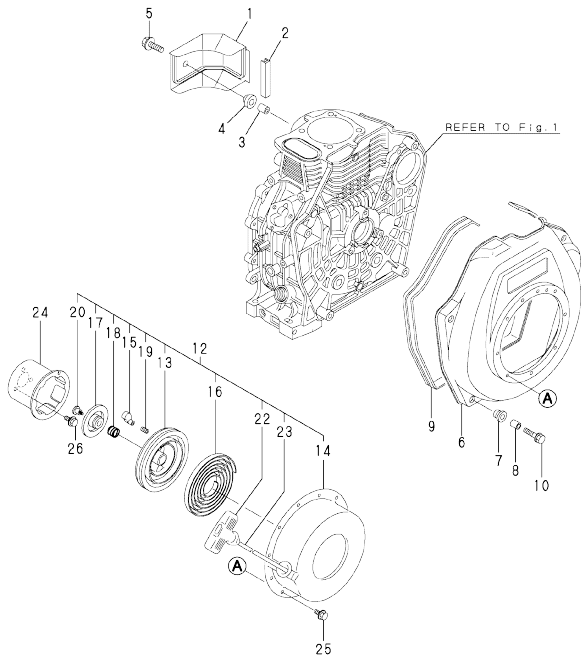
Fig.5. LUB.OIL PUMP & GOVERNOR



No.	Lev.	Parts No.	Description	Q'ty						I	R
				(A)	(B)	(C)	(D)	(E)	(F)		
1	1	114650-32010	PUMP ASSY, OIL	1							
7	1	114250-32070	COVER	1							
8	1	103338-32570	O-RING	1							
9	1	22312-030160	PIN, PARALLEL M3X16	1							
10	1	26106-060122	BOLT, M6X 12 PLATED	3							
11	1	114250-35110	FILTER ASSY, OIL	1							
13	2	24341-000224	O-RING, 1AS22.4	1							
14	1	26106-060162	BOLT, M6X 16 PLATED	1							
15	1	714650-61501	LEVER ASSY, GOVERNOR	1							
20	3	22322-030200	PIN, TAPER 3X20	1							
21	2	22322-030200	PIN, TAPER 3X20	1							
22	1	714685-61700	GOVERNOR ASSY	1							
23	2	114685-61210	WEIGHT ASSY, GOVERNOR	1							
28	1	114770-61520	BEARING, NEEDLE	2							
29	1	114770-61600	SEAL, OIL	1							
30	1	114770-61610	WASHER, THRUST	1							
31	1	114770-61190	WASHER	1							
32	1	114252-66252	SPRING, RETURN	1							
33	1	114771-66500	BRACKET ASSY, HANDLE	1							
34	2	114250-66050	HANDLE, REGULATOR	1							
36	3	26117-040088	BOLT, 4 X 8	1							
37	2	114299-66101	BRACKET	1							
38	2	114250-66440	BOLT, ADJUSTING	1							
39	2	102100-67080	BOLT, ADJUSTING	1							
40	2	160725-78350	KNOB	1							
41	2	26347-060002	NUT, M6	1							
42	2	26757-060002	NUT, LOCK M6	2							
43	1	26106-060142	BOLT, M6X 14 PLATED	1							
44	1	26106-060202	BOLT, M6X 20 PLATED	1							
45	1	114970-66010	SPRING, REGULATOR	1							
46	1	114250-66200	SPRING, RETURN	1							
47	1	114650-66500	LIMITER ASSY, FUEL	1							
52	1	26776-100002	NUT, LOCK M10	1							
53	1	114780-61090	TIN	2							
54	1	22451-060000	WIRE, 0.6	2							

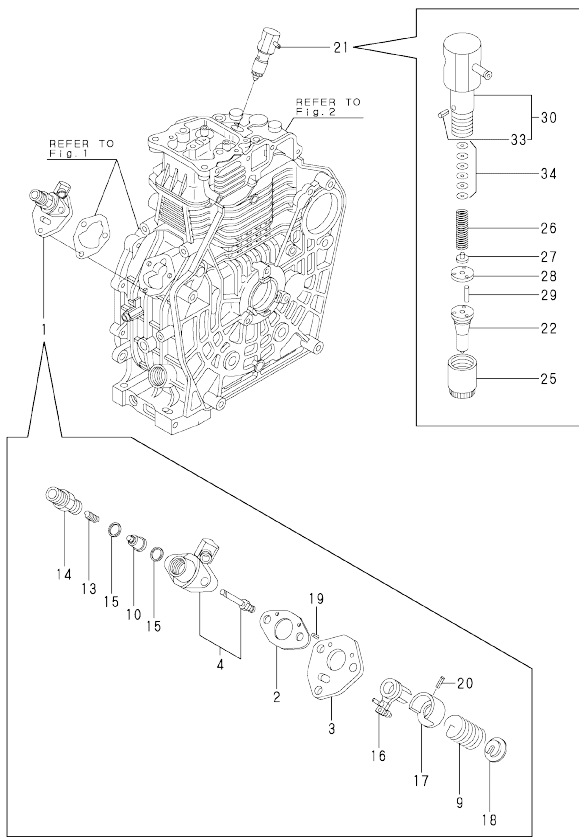
N:Old $\frac{100}{100}$ New, Q:Old $\frac{100}{100}$ New, R:Old $\frac{100}{100}$ New, S:Old $\frac{100}{100}$ New, W:Add, Z:Discontinued, F:Interchangeable by set, K:Qty Change
 Copyright (C) YANMAR CO., LTD. All Rights Reserved.

Fig.6. COOLING & STARTING DEVICE



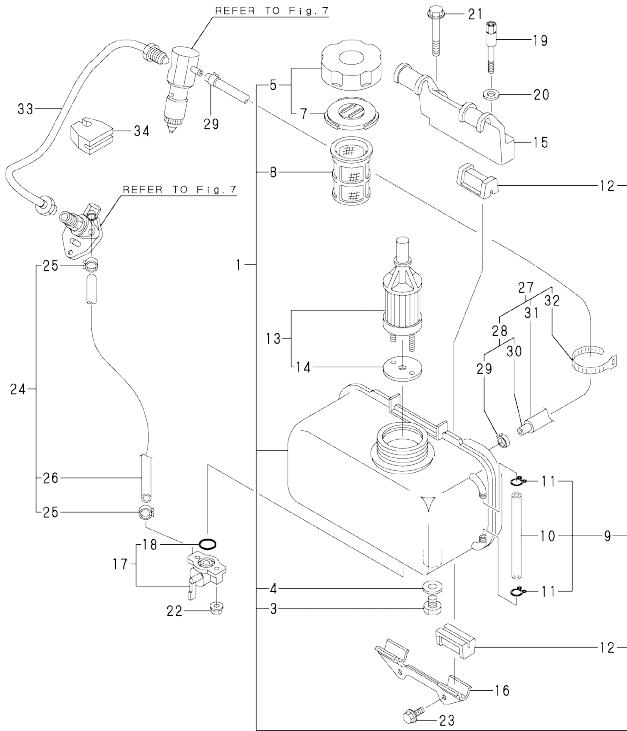
No.	Lev.	Parts No.	Description	Q'ty						I	R
				(A)	(B)	(C)	(D)	(E)	(F)		
1	1	114650-45201	COVER	1							
2	1	114350-45320	RUBBER, SEAL	1							
3	1	114350-45340	COLLAR	1							
4	1	183720-55210	GROMMET	1							
5	1	26106-060202	BOLT, M6X 20 PLATED	1							
6	1	114668-45102	CASE, COOLING FAN	1							
7	1	114250-45301	ABSORBER	4							
8	1	114250-45310	COLLAR	4							
9	1	114650-45330	SEAL, FAN CASE L=950	1							
10	1	114370-45351	BOLT	4							
12	1	114660-76251	STARTER ASSY, RECOIL	1							
13	2	114880-76520	REEL	1							
14	2	114660-76531	CASE, STARTER	1							
15	2	114870-76530	RATCHET	2							
16	2	114870-76540	SPRING, SPIRAL	1							
17	2	114880-76550	GUIDE, RATCHET	1							
18	2	114870-76560	SPRING, FRICTION	1							
19	2	114870-76570	SPRING, RETURN	2							
20	2	114870-76580	SCREW	1							
22	2	114870-76620	KNOB, STARTER	1							
23	2	114650-76631	ROPE, STARTER	1							
24	1	114660-76592	PULLEY, STARTER	1							
25	1	26106-060082	BOLT, M6X 8 PLATED	4							
26	1	26106-060122	BOLT, M6X 12 PLATED	3							

Fig.7. FUEL INJECTION PUMP & FUEL INJECTION VALVE



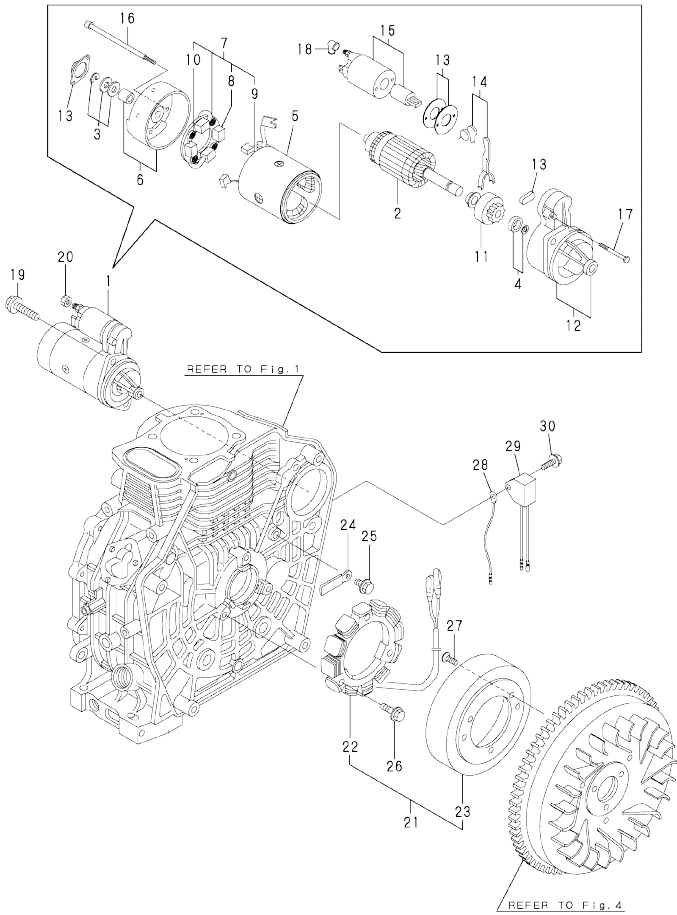
No.	Lev.	Parts No.	Description	Q'ty						I	R
				(A)	(B)	(C)	(D)	(E)	(F)		
1	1	714970-51101	PUMP ASSY, INJECTION	1							
2	2	105546-51020	GASKET	1							
3	2	114250-51080	PLATE	1							
4	2	114970-51100	BODY ASSY, PUMP	1							
9	2	114250-51160	SPRING, PLUNGER	1							
10	2	114650-51300	VALVE ASSY, DELIVERY	1							
13	2	105546-51330	SPRING, DELIVERY	1							
14	2	114250-51340	HOLDER, DELIVERY	1							
15	2	124550-51350	GASKET, DELIVERY	2							
16	2	114250-51600	LEVER ASSY, CONTROL	1							
17	2	114250-51640	SEAT, SPRING A	1							
18	2	114250-51650	SEAT, SPRING B	1							
19	2	22351-020006	PIN, SPRING 2.0X 6	2							
20	2	22351-030008	PIN, SPRING 3.0X 8	1							
21	1	714650-53100	VALVE ASSY, INJECTION	1							
22	2	114650-53000	VALVE ASSY, INJECTION	1							
25	2	114250-53080	NUT, NOZZLE D16.95	1							
26	2	114250-53120	SPRING, NOZZLE	1							
27	2	114250-53130	SEAT, SPRING	1							
28	2	114250-53140	PLATE	1							
29	2	114250-53210	PIN	2							
30	2	114650-53300	HOLDER ASSY, NOZZLE	1							
33	3	114250-53331	PIN	1							
34	2	114250-53400	SHIM SET	1							

Fig.8. FUEL TANK & FUEL PIPE



No.	Lev.	Parts No.	Description	Q'ty					
				(A)	(B)	(C)	(D)	(E)	(F)
1	1	714650-55701	TANK ASSY, FUEL	1					
3	3	105300-55080	PLUG, 8	1					
4	3	23414-080000	GASKET, 8X1.0	1					
5	2	114288-55041	CAP ASSY	1					
7	3	114288-55081	VALVE	1					
8	2	114250-55100	FILTER, FUEL	1					
9	2	114970-55200	GAUGE ASSY, LEVEL	1					
10	3	114650-55150	GAUGE, LEVEL	1					
11	3	103854-55220	RETAINER	2					
12	2	114250-55201	DAMPER, FUEL TANK	4					
13	1	114250-55121	FILTER ASSY, FUEL	1					
14	2	114250-55130	GASKET	1					
15	1	114699-55230	STAY, FUEL TANK	1					
16	1	114299-55210	STAY, FUEL TANK	1					
17	1	114250-55301	COCK ASSY, FUEL	1					
18	2	24341-000150	O-RING, 1AS15.0	1					
19	1	114650-55810	BOLT	1					
20	1	22117-080000	WASHER, 8	1					
21	1	26106-080452	BOLT, M8X 45 PLATED	1					
22	1	26366-060002	NUT, M6	2					
23	1	26476-060142	SCREW, TAPPING M6X14	2					
24	1	114780-59010	PIPE ASSY, FUEL L50	1					
25	2	23080-014000	CLAMP, 14	2					
26	2	114780-59060	PIPE, FUEL L=50	1					
27	1	114652-59300	PIPE, FUEL RETURN	1					
28	2	114652-59100	PIPE ASSY, FUEL	1					
29	3	124722-59050	CLIP, HOSE 9	2					
30	3	114650-59060	PIPE, FUEL RETURN	1					
31	2	114652-59310	TUBE, PROTECT	1					
32	2	121750-59890	BAND, 140	1					
33	1	114650-59801	PIPE ASSY, INJECTION	1					
34	1	114650-59850	SUPPORT	1					

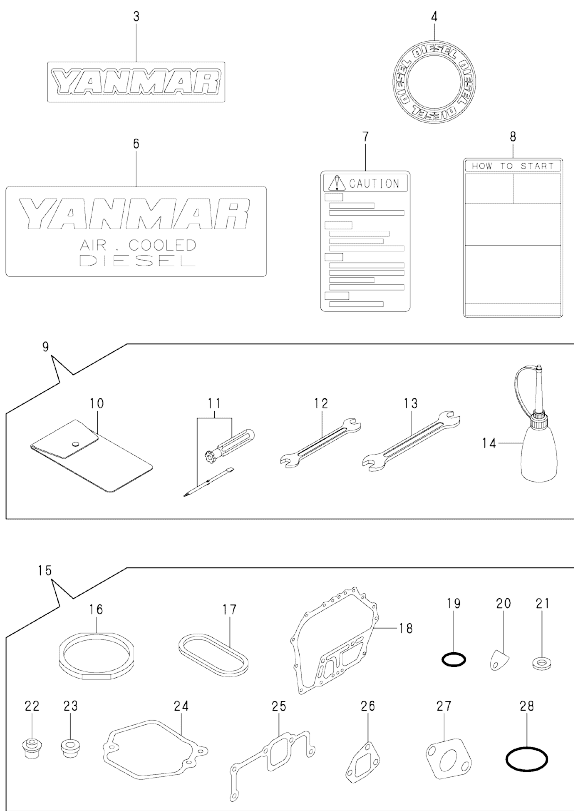
Fig.9. STARTING MOTOR & DYNAMO



No.	Lev.	Parts No.	Description	Q'ty						I	R
				(A)	(B)	(C)	(D)	(E)	(F)		
1	1	114362-77011	STARTER(HITACHI 12V	1							
2	2	114381-77110	ARMATURE	1							
3	2	X2114811000	WASHER KIT, THRUST	1							
4	2	X2114715500	STOPPER SET, PINION	1							
5	2	114381-77130	COIL ASSY, FIELD	1							
6	2	114381-77140	COVER, REAR	1							
7	2	114371-77160	HOLDER ASSY, BRUSH	1							
8	3	114371-79040	BRUSH (-)	2							
9	3	114371-79050	BRUSH (+)	1							
10	3	114371-79060	SPRING, BRUSH	4							
11	2	X211485016	PINION ASSY	1							
12	2	114381-77151	HOUSING ASSY, GEAR	1							
13	2	114371-77170	COVER KIT, DUST	1							
14	2	114371-77180	LEVER KIT, SHIFT	1							
15	2	124298-77020	SWITCH, MAGNETIC	1							
16	2	124195-77770	THROUGH BOLT	2							
17	2	114371-79070	BOLT M 6X 37	2							
18	2	X2114274200	COVER (A), RUBBER	1							
19	1	26106-100302	BOLT, M10X 30 PLATED	2							
20	1	26716-080002	NUT, M8	1							
21	1	114351-78251	DYNAMO ASSY	1							
22	2	114351-78751	STATOR ASSY	1							
23	2	114351-78761	WHEEL, DYNAMO	1							
24	1	160710-78710	CLAMP, CORD	1							
25	1	26106-060122	BOLT, M6X 12 PLATED	1							
26	1	26106-060202	BOLT, M6X 20 PLATED	3							
27	1	26577-060142	SCREW M 6X 14	3							
28	1	183350-77400	WIRE, LEAD	1							
29	1	160970-77350	RECTIFIER, ZR2117	1							
30	1	26106-060122	BOLT, M6X 12 PLATED	1							

OCW10-M22500

Fig.10. TOOL,LABEL & GASKET SET



No.	Lev.	Parts No.	Description	Q'ty						I	R
				(A)	(B)	(C)	(D)	(E)	(F)		
3	1	114250-07111	LABEL, YANMAR	1							
4	1	114261-07350	LABEL	1							
6	1	114250-07090	LABEL, AIR COOLED	1							
7	1	114268-07240	LABEL, CAUTION	1							
8	1	114268-07350	LABEL, HOW TO START	1							
9	1	714250-92100	BOX ASSY, TOOL	1							
10	2	114250-92600	BAG, TOOL	1							
11	2	160330-92730	DRIVE, SCREW	1							
12	2	28110-100120	SPANNER, 10X12	1							
13	2	28110-140170	SPANNER, 14X17	1							
14	2	28210-000150	OILER	1							
15	1	714989-92601	GASKET SET	1							1
16	2	114970-01340	GASKET, HEAD	1							
17	2	114650-01380	O-RING	1							
18	2	114650-01412	GASKET, CRANK CASE	1							
19	2	114299-01950	O-RING, 18	2							
20	2	114250-01841	GASKET	1							
21	2	22190-160002	WASHER, SEAL 16	2							
22	2	114650-11340	SEAL, VALVE STEM	2							
23	2	114250-11460	GASKET, NOZZLE	1							
24	2	114650-11311	GASKET, BONNET	1							
25	2	114650-12301	GASKET	1							
26	2	114650-12211	GASKET, AIR CLEANER	1							
27	2	114650-13201	GASKET (NON-ASB.)	1							
28	2	103338-32570	O-RING	1							

Remarks
(1)OPTIONAL

N:Old $\frac{100}{100}$ New, Q:Old $\frac{100}{100}$ New, R:Old $\frac{100}{100}$ New, S:Old $\frac{100}{100}$ New, W:Add, Z:Discontinued, F:Interchangeable by set, K:Q'ty Change
Copyright (C) YANMAR CO., LTD. All Rights Reserved.

Parts No. Index

Parts No.	Fig. No.	Ref. No.
102100-67080	5	39
103338-32570	5	8
	10	28
103854-55220	8	11
104211-11370	2	13
		26
105025-01220	1	5
105300-23200	4	38
105300-55080	8	3
105425-01690	1	37
105546-51020	7	2
105546-51330	7	13
114250-01800	1	12
114250-01830	1	23
114250-01841	1	24
	10	20
114250-03591	2	35
114250-03640	2	38
114250-07090	10	6
114250-07111	10	3
114250-11240	2	19
		24
114250-11460	2	14
	10	23
114250-11901	2	27
114250-12300	3	2
114250-32070	5	7
114250-35110	5	11
114250-35150	1	35
114250-45301	6	7
114250-45310	6	8
114250-51080	7	3
114250-51160	7	9
114250-51340	7	14
114250-51600	7	16
114250-51640	7	17
114250-51650	7	18
114250-53080	7	25
114250-53120	7	26
114250-53130	7	27
114250-53140	7	28
114250-53210	7	29
114250-53331	7	33
114250-53400	7	34
114250-55100	8	8
114250-55121	8	13
114250-55130	8	14
114250-55201	8	12
114250-55301	8	17
114250-66050	5	34

Parts No.	Fig. No.	Ref. No.
114250-66200	5	46
114250-66440	5	38
114250-92600	10	10
114252-12550	3	11
114252-12560	3	7
114252-66252	5	32
114261-07350	10	4
114268-07240	10	7
114268-07350	10	8
114270-01600	1	25
114288-55041	8	5
114288-55081	8	7
114299-01950	1	40
	10	19
114299-02030	1	42
114299-55210	8	16
114299-66101	5	37
114350-11470	2	15
114350-45320	6	2
114350-45340	6	3
114351-78251	9	21
114351-78751	9	22
114351-78761	9	23
114362-77011	9	1
114370-45351	6	10
114371-77160	9	7
114371-77170	9	13
114371-77180	9	14
114371-79040	9	8
114371-79050	9	9
114371-79060	9	10
114371-79070	9	17
114381-77110	9	2
114381-77130	9	5
114381-77140	9	6
114381-77151	9	12
114650-01230	1	6
114650-01240	1	7
114650-01250	1	8
114650-01260	1	9
114650-01380	1	11
	10	17
114650-01412	1	29
	10	18
114650-02100	1	33
114650-02150	1	43
114650-02200	1	49
114650-02210	1	50
114650-07450	3	4
114650-11011	2	1

Parts No.	Fig. No.	Ref. No.
114650-11100	2	6
114650-11121	2	8
114650-11261	2	11
114650-11311	2	32
	10	24
114650-11340	2	12
	10	22
114650-11600	2	16
114650-11652	2	17
114650-11951	2	33
114650-12211	3	1
	10	26
114650-12301	3	13
	10	25
114650-12520	3	5
114650-12590	3	8
114650-13201	3	17
	10	27
114650-14200	4	6
114650-14402	4	8
114650-21551	4	18
114650-32010	5	1
114650-45201	6	1
114650-45330	6	9
114650-51300	7	10
114650-53000	7	22
114650-53300	7	30
114650-55150	8	10
114650-55810	8	19
114650-59060	8	30
114650-59801	8	33
114650-59850	8	34
114650-66500	5	47
114650-76631	6	23
114652-59100	8	28
114652-59300	8	27
114652-59310	8	31
114654-11110	2	7
114658-13800	3	26
114660-01471	1	30
114660-76251	6	12
114660-76531	6	14
114660-76592	6	24
114662-21601	4	22
114668-45102	6	6
114685-61210	5	23
114699-01760	1	38
114699-12020	3	12
114699-21590	4	19
114699-22300	4	32

Parts No.	Fig. No.	Ref. No.
114699-55230	8	15
114770-61190	5	31
114770-61520	5	28
114770-61600	5	29
114770-61610	5	30
114771-14260	4	7
114771-66500	5	33
114780-59010	8	24
114780-59060	8	26
114780-61090	5	53
114870-76530	6	15
114870-76540	6	16
114870-76560	6	18
114870-76570	6	19
114870-76580	6	20
114870-76620	6	22
114880-76520	6	13
114880-76550	6	17
114970-01022	1	1
114970-01340	1	10
	10	16
114970-13551	3	18
114970-13561	3	20
114970-13700	3	21
114970-13710	3	22
114970-51100	7	4
114970-55200	8	9
114970-66010	5	45
114980-12510	3	3
114980-12530	3	6
119620-11180	2	9
121750-59890	8	32
122710-01220	4	17
124060-23100	4	37
124195-77770	9	16
124298-77020	9	15
124550-51350	7	15
124722-59050	8	29
129792-22400	4	33
160260-01580	3	19
160330-92730	10	11
160710-78710	9	24
160725-78350	5	40
160842-21150	4	64
160842-21250	4	65
160842-21260	4	66
160970-77350	9	29
183350-77400	9	28
183720-55210	6	4
22117-080000	8	20

Parts No. Index

Parts No.	Fig. No.	Ref. No.
22190-160002	1	41
	10	21
22312-030160	2	40
	5	9
22322-030200	5	20
		21
22351-020006	7	19
22351-030008	7	20
22351-040008	2	28
22451-060000	5	54
22512-050140	4	23
23080-014000	8	25
23414-080000	8	4
23876-010000	1	48
24101-062034	4	46
24101-063034	4	47
24162-152112	1	44
24341-000150	8	18
24341-000224	5	13
24423-355008	1	45
		46
26106-060082	6	25
26106-060122	5	10
	6	26
	9	25
		30
26106-060142	5	43
26106-060162	5	14
26106-060202	5	44
	6	5
	9	26
26106-060252	3	14
26106-060702	2	43
26106-080122	1	47
26106-080182	3	23
26106-080352	1	36
26106-080452	8	21
26106-100302	9	19
26106-100552	2	29
26117-040088	5	36
26216-080182	3	24
26226-060142	3	15
26226-060182	1	26
26226-060222	1	27
26226-060502	2	30
26226-060752	3	16
26306-080002	3	25
26347-060002	5	41
26366-060002	1	28
	2	31

Parts No.	Fig. No.	Ref. No.
26366-060002	8	22
26476-060142	8	23
26554-060182	3	27
26577-060142	9	27
26716-080002	9	20
26757-060002	5	42
26776-100002	5	52
26856-060002	2	20
		25
27310-070001	2	10
28110-100120	10	12
28110-140170	10	13
28210-000150	10	14
714250-92100	10	9
714650-23600	4	39
714650-23610	4	60
714650-23620	4	62
714650-53100	7	21
714650-55701	8	1
714650-61501	5	15
714668-21700	4	9
714670-11660	2	21
714685-61700	5	22
714689-14580	4	1
714699-23700	4	34
714970-22500	4	26
714970-22540	4	50
714970-22550	4	56
714970-28511	4	41
714970-51101	7	1
714980-22581	4	54
714980-22621	4	48
714980-22721	4	24
714989-92601	10	15
X2114274200	9	18
X2114715500	9	4
X2114811000	9	3
X211485016	9	11

Parts No.	Fig. No.	Ref. No.
-----------	----------	----------

Parts No.	Fig. No.	Ref. No.
-----------	----------	----------