

0CV10-M80301EN

PREFACE

1.This Parts Catalog carries all parts incorporated in YANMAR Model L100EE-DEVBO & L100EE-DERBO engine manufactured since January,2004.

2.Each illustration corresponds to the parts list on the following page.

3.When ordering parts,clearly write down the engine model and serial number,as well as the name and number of each part in your order sheet. This will help insure reliable delivery of the parts you have ordered.

How to read this Parts Catalog.

- 1.Parts mentioned in Parts Catalog may not necessarily be standard equipping parts
- 2.Parts change may be made without prior notice.
- 3.Form of this Parts Catalog.

Y00F2161 29. FUEL INJECTION PUMP (W/BOOST)								(A)=4JH-DT	(D)=4JH-DTZA		
①	②	PARTS No.		DESCRIPTION	QTY						④
REF.	LEV.				(A)	(B)	(C)	(D)	(E)	(F)	I R
1		729595-51390		FUEL INJECTION PUMP	1	1	1	1	1		
1-1		729595-51391		FUEL INJECTION PUMP	1	1	1	1	1		N 1
	⑤	(A=E00185)	(B=E00200)								
3	2	26022-060162		SCREW M 6X16	9	9	9	9	9		
1 3-1	2	26022-060162		SCREW M 6X16	4	4	4	4	4		K
		(A=E00156)	(B=E00156)	(C=E00156)	(D=E00156)	(E=E00156)					
4	2	129470-51040		CAMSHFT	9	9	9	9	9		
5	2	122710-51050		BEARING. ROLLER	9	9	9	9	9		
6	2	129470-51060		RETAINER	9	9	9	9	9		

Remarks

(1) BOOST COMPEMSATOR TYPE.
OPTIONAL PART. TO E/#00155
(4JH-DT, 4JH-DTZ)

①Ref. No,

The Ref. No, in the list may not be in accordance with the Ref. No, on illustration.

(Ex.) illustration No, List heed No,
1 1 (Before change) → 1-1 (After change)

When interchangeable symbol N, and k, illustrations for the new parts are sometimes omitted.

②Lev. (Level)

Indication and Meaning of Level

Level Hereunder is given the relation among the number of number (1,2,3) the level and the nominal parent-child relationship.

1 ---- Parent parts (Assembly parts)

2 ---- Child parts included in " 1 " (Semi-Assembly parts, component parts of Assembly parts.)

3 ---- Child parts included in " 2 ", Grand-child parts in terms of " 1 ".

(Component parts of Semi-Assembly parts.)

Note) A parts of non-sale parts are illustrated but not listed.

③Change Mark

Change Mark " I " is given to the part for which a design change was made at this time.

The design change was not shown in the last published Parts Catalog.

④Interchangeability Mark

In the case where a part change took place, one of the following interchangeability marks is indicated for that part

Symbol	Interchangeability	Contents note
N	Old ← → New	New Part is interchangeable for Old Part but not interchangeable conversely.
Q	Old ← → New	New Part is not interchangeable for Old Part but interchangeable conversely.
R	Old ← → New	New Part is interchangeable for Old Part and vice versa.
S	Old ← → New	New Part is not interchangeable for Old Part and vice versa.
W		Part newly added.
Z		Part discontinued.
F		Not interchangeable single part but interchangeable by set of the related parts.
K		Changed only in quantity used.

⑤Effective Machine No,

When a part is changed, Effective Machine No, of a Model for which the part is applicable is indication

In each column of (A)-(F).

Product Symbol	Product No,	Product Symbol	Product No,
C	Clutch No, Compressor No,	M	Machine No,
D	Drive No,	T	Tractor No,
E	Engine No,	Note 1)※	Date

Note 1) Date may follow the symbol in some cases.(Ex.) ※1996.01

Note 2) As far as engine models shown by " XXX " are concerned, the modification of the parts could not be Predicted or the engine models themselves could not be identified.

Note 3) (A=E/#00185) means that the design change on the part has been effective for the model at the, column (A) (in the case, for 4JH-DT) on and from E/#(Engine Serial Number) 00185

⑥Remarks Mark

Figures or alphabets (Symbols) are entered in the remark column.

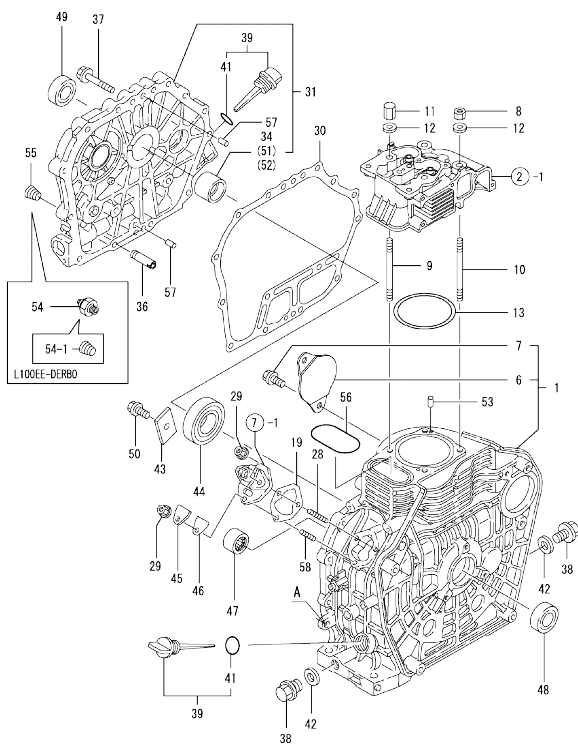
The comments (remarks) on the pertinent parts are indicated in the lower part of the list by the same symbols a those stated above.

Contents

Fig. No.	Fig. Name	Fig. No.	Fig. Name
	ENGINE SECTION (L100EE-DE(V,R)BO)		
1.	CYLINDER BLOCK		
2.	CYLINDER HEAD & BONNET		
3.	AIR CLEANER & MUFFLER		
4.	CRANKSHAFT,PISTON & CAMSHAFT		
5.	LUB.OIL PUMP & GOVERNOR		
6.	COOLING & STARTING DEVICE		
7.	FUEL INJECTION PUMP		
8.	FUEL TANK & FUEL LINE		
9.	STARTING MOTOR & DYNAMO		
10.	TOOL,LABEL & GASKET SET		

OCV10-M80301

Fig.1. CYLINDER BLOCK

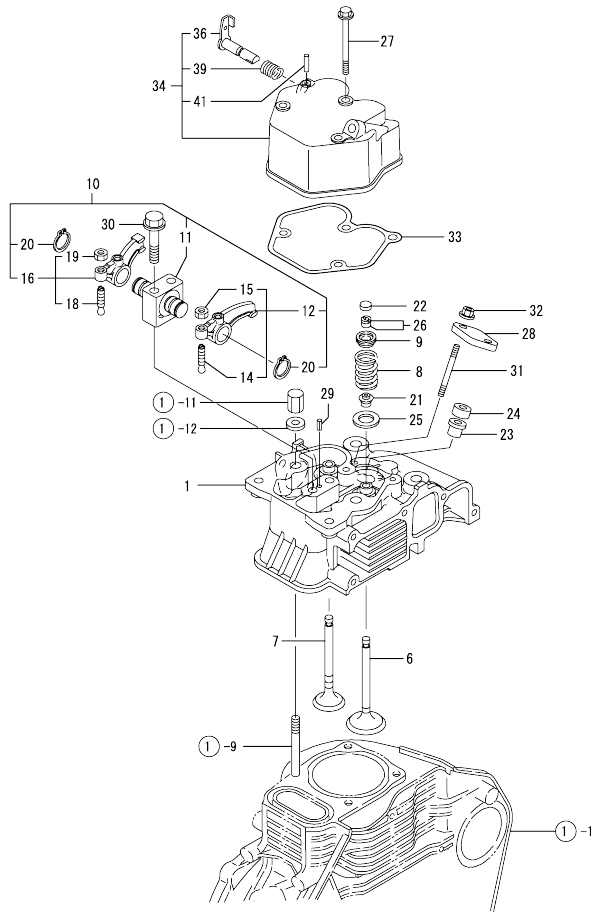


No.	Lev.	Parts No.	Description	Q'ty						I	R
				(A)	(B)	(C)	(D)	(E)	(F)		
1	1	714970-01560	BLOCK ASSY, CYLINDER	1	1						
1-1	1	714655-01560	BLOCK ASSY, CYLINDER	1	1					S	4
		(A=E04351) (B=E05483)									
6	2	114350-01700	COVER	1	1						
7	2	26106-100122	BOLT, M10X 12 PLATED	2	2						
8	1	105025-01220	NUT, CYLINDER HEAD	2	2						
9	1	114650-01230	BOLT, HEAD	2	2						
10	1	114650-01240	BOLT, HEAD	2	2						
11	1	114650-01250	NUT, CYLINDER HEAD	2	2						
12	1	114650-01260	WASHER	4	4						
13	1	114651-01330	GASKET SET, HEAD	1	1						
19	1	114250-01800	SHIM SET	1	1						
28	1	26226-060222	STUD, M6X 22	2	2						
29	1	26366-060002	NUT, M6	3	3						
30	1	114650-01412	GASKET, CRANK CASE	1	1						
31	1	114660-01471	COVER, CRANK CASE	1	1						
34	2	114650-02100	BEARING, MAIN	1	1						1
36	1	114250-35150	PIPE, OIL INLET	1	1						
37	1	26106-080352	BOLT, M8X 35 PLATED	16	16						
38	1	105425-01690	PLUG, 16	2	2						
39	1	114699-01760	CAP ASSY	2	2						
41	2	114299-01950	O-RING, 18	2	2						
42	1	22190-160002	WASHER, SEAL 16	2	2						
43	1	114299-02030	RETAINER, BEARING	1	1						
44	1	114650-02150	BEARING, HR6308G3C3	1	1						
45	1	114250-01830	COVER	1	1						
46	1	114250-01841	GASKET	1	1						
47	1	24162-152112	BEARING, 152112	1	1						
48	1	24423-355008	SEAL, OIL TC355008	1	1						
49	1	24423-355008	SEAL, OIL TC355008	1	1						
50	1	26106-080122	BOLT, M8X 12 PLATED	1	1						
51	1	114650-02200	BEARING, 0.25 US	1	1						2
52	1	114650-02210	BEARING, 0.50 US	1	1						3
53	1	22312-040080	PIN, PARALLEL M4X 8	2	2						
54	1	121252-39450	SWITCH, 0.5KG	1	1						
54-1	1	23876-010000	PLUG, R01	1	1						N
		(B=E04052)									
55	1	23876-010000	PLUG, R01	1	1						
56	1	114650-01380	O-RING	1	1						
57	1	114270-01600	PIN, M8X12	2	2						
58	1	26226-060182	STUD, M6X 18	1	1						

Remarks

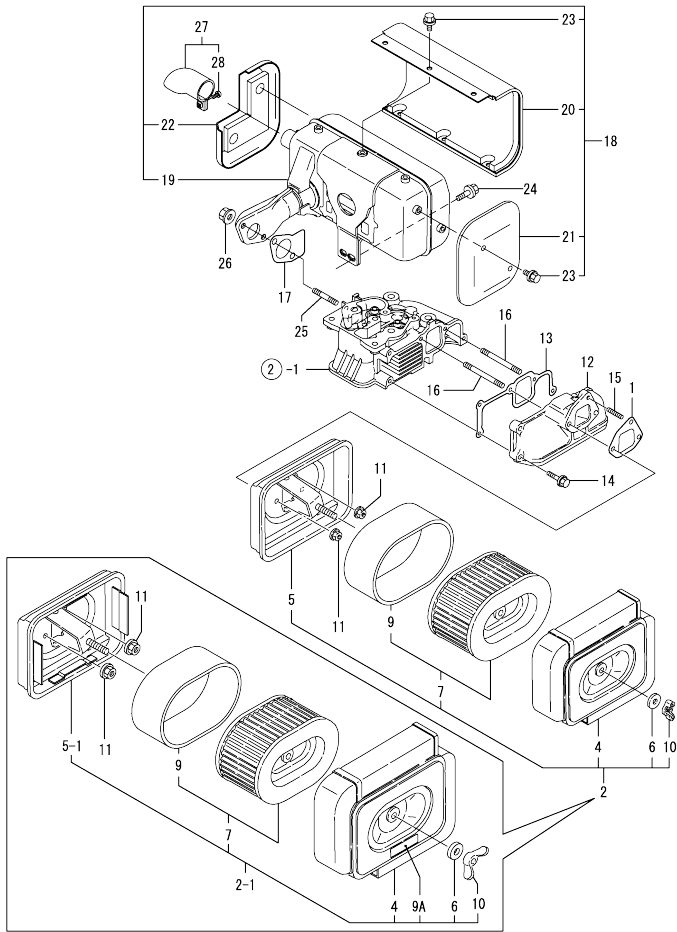
- (1) REPAIR PART.
 - (2) UNDER-SIZE(U.S=0.25)PART.
 - (3) UNDER-SIZE(U.S=0.50)PART.
 - (4) A= REF.NO.1 M10 X 1.25.
- REF.NO.1-1 M14 X 1.25.

Fig.2. CYLINDER HEAD & BONNET



No.	Lev.	Parts No.	Description	Q'ty						I	R
				(A)	(B)	(C)	(D)	(E)	(F)		
1	1	114651-11020	HEAD ASSY, CYLINDER	1	1						
6	1	114651-11100	VALVE, INTAKE	1	1						
7	1	114651-11110	VALVE, EXHAUST	1	1						
8	1	114650-11121	SPRING, VALVE	2	2						
9	1	119620-11180	RETAINER, SPRING	2	2						
10	1	114651-11250	SUPPORT ASSY, ARM	1	1						
11	2	114651-11260	SUPPORT, ROCKER ARM	1	1						
12	2	114651-11650	ARM, ROCKER	1	1						
14	3	114250-11240	SCREW, VALVE ADJUST	1	1						
15	3	26856-060002	NUT, M6	1	1						
16	2	114651-11660	ARM, ROCKER	1	1						
18	3	114250-11240	SCREW, VALVE ADJUST	1	1						
19	3	26856-060002	NUT, M6	1	1						
20	2	22242-000150	RING, 15	2	2						
21	1	114650-11340	SEAL, VALVE STEM	2	2						
22	1	104211-11370	CAP VALVE	2	2						
23	1	114771-11461	GASKET, NOZZLE	1	1						
24	1	114771-11470	SPACER, NOZZLE	1	1						
25	1	114650-11600	WASHER	2	2						
26	1	27310-070001	COTTER, 7	2	2						W
				(A=FROM 1ST)		(B=FROM 1ST)					
27	1	26106-060702	BOLT, M6X 70 PLATED	3	3						
28	1	114250-11901	RETAINER, NOZZLE	1	1						
29	1	22351-040008	PIN, SPRING 4.0X 8	1	1						
30	1	26106-080552	BOLT, M8X 55 PLATED	2	2						
31	1	26226-060552	STUD, M6X 55	2	2						
32	1	26366-060002	NUT, M6	2	2						
33	1	114651-11310	GASKET, BONNET	1	1						
34	1	114651-11950	BONNET ASSY, HEAD	1	1						
36	2	114250-03591	LEVER ASSY	1	1						
39	2	114250-03640	SPRING, DECOMPRESSION	1	1						
41	2	22312-030160	PIN, PARALLEL M3X16	1	1						

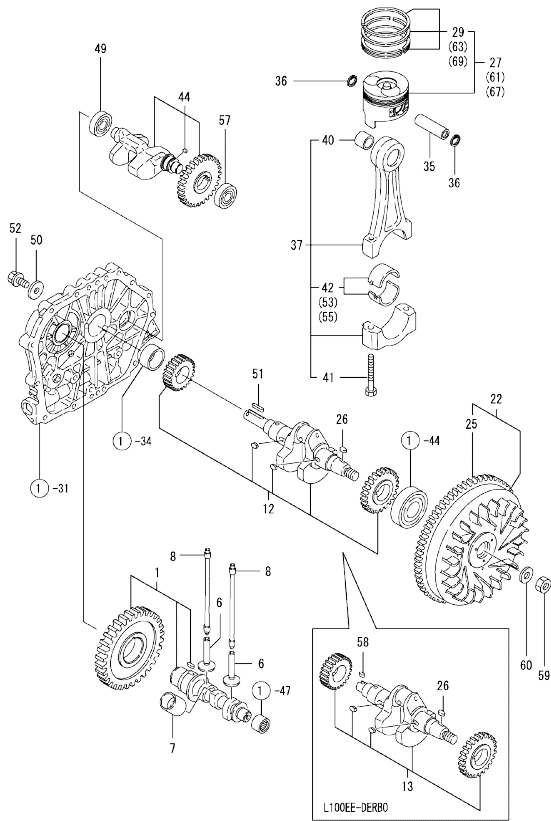
Fig.3. AIR CLEANER & MUFFLER



No.	Lev.	Parts No.	Description	Q'ty						I	R
				(A)	(B)	(C)	(D)	(E)	(F)		
1	1	114650-12211	GASKET, AIR CLEANER	1	1						
2	1	714650-12560	CLEANER ASSY, AIR	1	1						
2-1	1	714650-12561	CLEANER ASSY, AIR	1	1						N
4	2	114650-12520	COVER, AIR CLEANER	1	1						
5	2	114650-12530	CASE ASSY, CLEANER	1	1						
5-1	2	114650-12531	CASE ASSY, CLEANER	1	1						S
5-2	2	114650-12532	CASE ASSY, CLEANER	1	1						N
6	2	114252-12560	WASHER, SEAL M8	1	1						
7	2	114650-12590	ELEMENT ASSY	1	1						
9	3	114650-12550	FILTER, PRE	1	1						
9A	2	114650-07450	LABEL, AIR CLEANER	1	1						W
10	2	114252-12550	NUT, WING M8	1	1						
11	1	114250-12300	NUT	3	3						
12	1	114699-12020	PIPE, AIR INTAKE	1	1						
13	1	114650-12301	GASKET	1	1						
14	1	26106-060252	BOLT, M6X 25 PLATED	3	3						
15	1	26226-060142	STUD, M6X 14	1	1						
16	1	26226-060752	STUD, M6X 75	2	2						
17	1	114650-13201	GASKET (NON-ASB.)	1	1						
18	1	114674-13551	MUFFLER ASSY	1	1						
19	2	114674-13511	MUFFLER	1	1						
20	2	183382-13700	COVER	1	1						
21	2	114970-13710	COVER	1	1						
22	2	114973-13710	COVER	1	1						
23	2	160260-01580	BOLT, FLANGE M6X6	10	10						
24	1	26106-080162	BOLT, M8X 16 PLATED	2	2						
25	1	26216-080182	STUD, M8X 18	2	2						
26	1	26366-080002	NUT, M8	2	2						
26-1	1	26306-080002	NUT, M8	2	2						N
27	1	114658-13800	PIPE	1	1						
28	2	26554-060182	SCREW, M6X18	1	1						

N:Old $\frac{100}{100}$ New, Q:Old $\frac{100}{100}$ New, R:Old $\frac{100}{100}$ New, S:Old $\frac{100}{100}$ New, W:Add, Z:Discontinued, F:Interchangeable by set, K:Qty Change
 Copyright (C) YANMAR CO., LTD. All Rights Reserved.

Fig.4. CRANKSHAFT,PISTON & CAMSHAFT

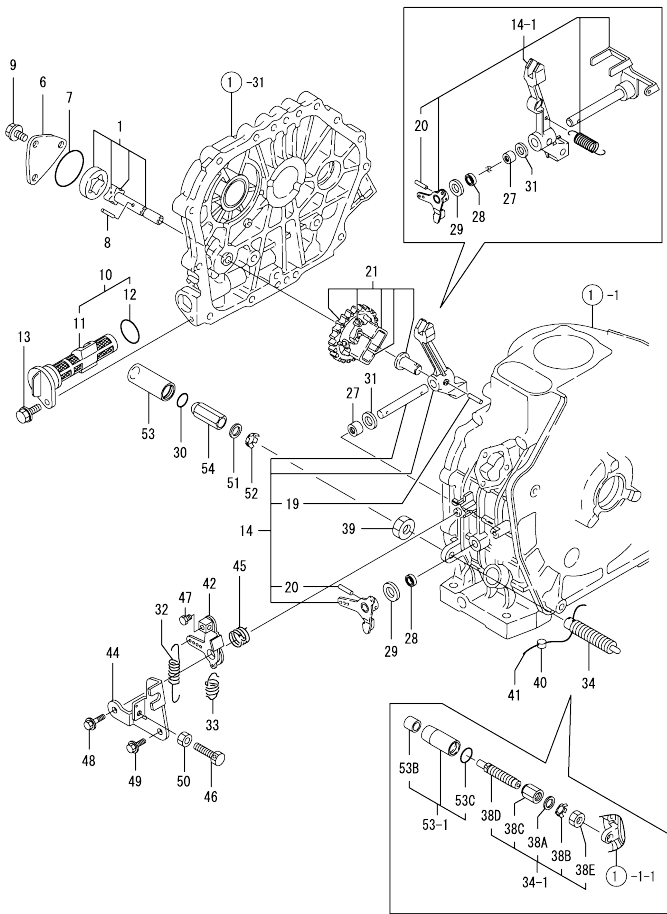


No.	Lev.	Parts No.	Description	Q'ty						I	R
				(A)	(B)	(C)	(D)	(E)	(F)		
1	1	714660-14100	CAMSHAFT ASSY	1	1						
6	1	114650-14200	TAPPET	2	2						
7	1	114771-14260	TAPPET	1	1						
8	1	114650-14401	ROD ASSY, PUSH	2	2						
8-1	1	114650-14402	ROD ASSY, PUSH	2	2						R
(A=E07454) (B=E07455)											
12	1	714654-21730	CRANKSHAFT ASSY	1							
13	1	714653-21700	CRANKSHAFT ASSY		1						
22	1	114662-21593	FLYWHEEL ASSY	1	1						
22-1	1	114699-21590	FLYWHEEL ASSY	1	1						R
(A=E07454) (B=E07455)											
25	2	114662-21601	GEAR, RING	1	1						
26	1	22512-050140	KEY, 5X 14	1	1						
27	1	714652-22720	PISTON ASSY, D	1	1						
29	2	714970-22500	RING SET, PISTON	1	1						
35	1	114699-22300	PIN, PISTON D=23	1	1						
36	1	129792-22400	CIRCLIP, 23	2	2						
37	1	714650-23100	ROD ASSY, CONNECTING	1	1						
37-1	1	71465G-23700	ROD ASSY, CONNECTING	1	1						N
(A=E08300) (B=E08382)											
40	2	124060-23100	BEARING, PISTON PIN	1	1						
41	2	105300-23200	BOLT, CONNECTING ROD	2	2						
42	2	714650-23600	BEARING, CRANK PIN	1	1						
44	1	714970-28100	SHAFT ASSY, BALANCER	1	1						
49	1	24101-062034	BEARING, BALL 6203	1	1						
50	1	160310-14550	WASHER	1	1						
51	1	22512-070360	KEY, 7X 36	1							
52	1	26106-080202	BOLT, M8X 20 PLATED	1	1						
53	1	714650-23610	BEARING ASSY, 0.25	1	1						1
55	1	714650-23620	BEARING, 0.50 US	1	1						2
57	1	24101-063034	BEARING, BALL 6303	1	1						
58	1	22512-070140	KEY, 7X 14								
59	1	122710-01220	NUT, CYLINDER HEAD	1	1						
60	1	114650-21551	WASHER	1	1						
61	1	114652-22040	PISTON ASSY, 0.25 OS	1	1						W 3
(A=FROM 1ST) (B=FROM 1ST)											
63	2	114652-22140	RING SET, 0.25 OS	1	1						W 3
(A=FROM 1ST) (B=FROM 1ST)											
67	1	114652-22050	PISTON ASSY, 0.50 OS	1	1						W 4
(A=FROM 1ST) (B=FROM 1ST)											
69	2	114652-22150	RING SET, 0.50 OS	1	1						W 4
(A=FROM 1ST) (B=FROM 1ST)											

Remarks

- (1) UNDER-SIZE(U.S=0.25)PART.
- (2) UNDER-SIZE(U.S=0.50)PART.
- (3) OVER-SIZE(O.S=0.25)PART.
- (4) OVER-SIZE(O.S=0.50)PART.

Fig.5. LUB.OIL PUMP & GOVERNOR

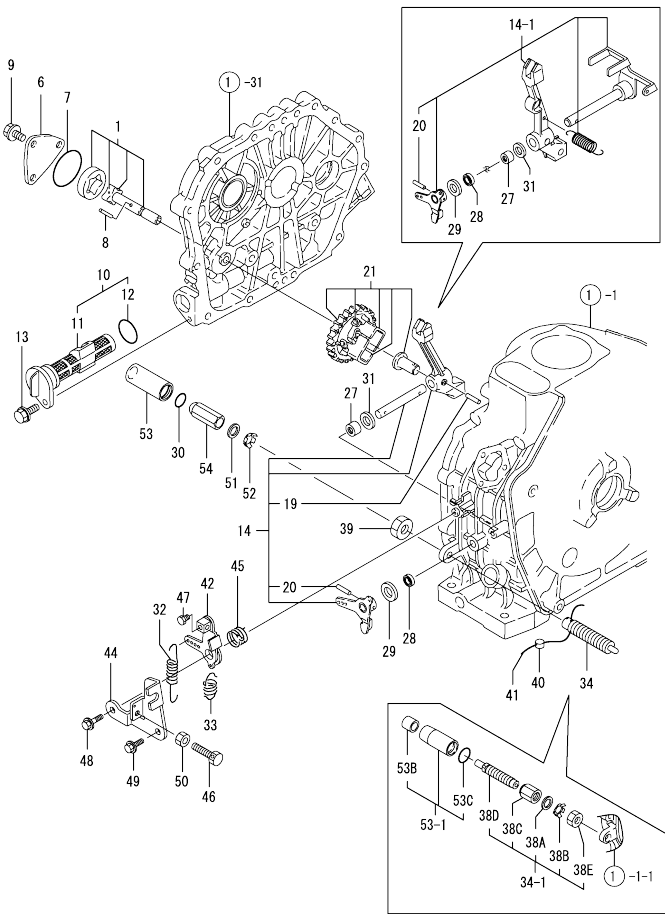


No.	Lev.	Parts No.	Description	Qty						I	R
				(A)	(B)	(C)	(D)	(E)	(F)		
1	1	114650-32010	PUMP ASSY, OIL	1	1						
6	1	114250-32070	COVER	1	1						
7	1	103338-32570	O-RING	1	1						
8	1	22312-030160	PIN, PARALLEL M3X16	1	1						
9	1	26476-060142	SCREW, TAPPING M6X14	3	3						
9-1	1	26106-060122	BOLT, M6X 12 PLATED	3	3						N
		(A=E10715) (B=E09950)									
10	1	114250-35110	FILTER ASSY, OIL	1	1						
11	2	114250-35070	FILTER, OIL	1	1						
12	2	24341-000224	O-RING, 1AS22.4	1	1						
13	1	26106-060162	BOLT, M6X 16 PLATED	1	1						
14	1	714650-61500	LEVER ASSY, GOVERNOR	1	1						
14-1	1	714685-61500	LEVER ASSY, GOVERNOR	1	1						S
		(A=E04351) (B=E05483)									
19	2	22322-030200	PIN, TAPER 3X20	1	1						Z
		(A=E04351) (B=E05483)									
20	2	22322-030200	PIN, TAPER 3X20	1	1						
21	1	714685-61700	GOVERNOR ASSY	1	1						
27	1	114770-61520	BEARING, NEEDLE	2	2						
28	1	114770-61600	SEAL, OIL	1	1						
29	1	114770-61610	WASHER, THRUST	1	1						
30	1	24311-000125	O-RING, 1AP12.5	1	1						Z
		(A=E04351) (B=E05483)									
31	1	114770-61190	WASHER	1	1						
32	1	114970-66010	SPRING, REGULATOR	1	1						
33	1	114250-66200	SPRING, RETURN	1	1						
34	1	114651-66550	LIMITER ASSY, FUEL	1	1						
34-1	1	114771-61700	LIMITER ASSY, FUEL	1	1						S
		(A=E04351) (B=E05483)									
38A	2	114771-61810	WASHER, 14	1	1						W
		(A=E04351) (B=E05483)									
38B	2	114771-61830	PLATE	1	1						W
		(A=E04351) (B=E05483)									
38C	2	114771-61940	NUT, M14	1	1						W
		(A=E04351) (B=E05483)									
38D	2	114771-66600	LIMITER ASSY, FUEL	1	1						W
		(A=E04351) (B=E05483)									
38E	2	114771-66690	NUT, M14	1	1						W
		(A=E04351) (B=E05483)									
39	1	26776-100002	NUT, LOCK M10	1	1						Z
		(A=E04351) (B=E05483)									
40	1	135210-61090	LEAD	1	1						
41	1	22451-060000	WIRE, 0.6	1	1						
42	1	114252-66051	HANDLE, REGULATOR	1	1						
44	1	183360-66110	BRACKET	1	1						
45	1	114252-66252	SPRING, RETURN	1	1						
46	1	114250-66440	BOLT, ADJUSTING	1	1						
47	1	105225-66990	SCREW, M5X8.5	1	1						
48	1	26106-060202	BOLT, M6X 20 PLATED	1	1						
49	1	26476-060142	SCREW, TAPPING M6X14	1	1						
49-1	1	26106-060142	BOLT, M6X 14 PLATED	1	1						N

N:Old $\frac{New}{Old}$ New, Q:Old $\frac{New}{Old}$ New, R:Old $\frac{New}{Old}$ New, S:Old $\frac{New}{Old}$ New, W:Add, Z:Discontinued, F:Interchangeable by set, K:Qty Change
 ++ CONTINUE ++
 Copyright (C) YANMAR CO., LTD. All Rights Reserved.

OCV10-M80301

Fig.5. LUB.OIL PUMP & GOVERNOR

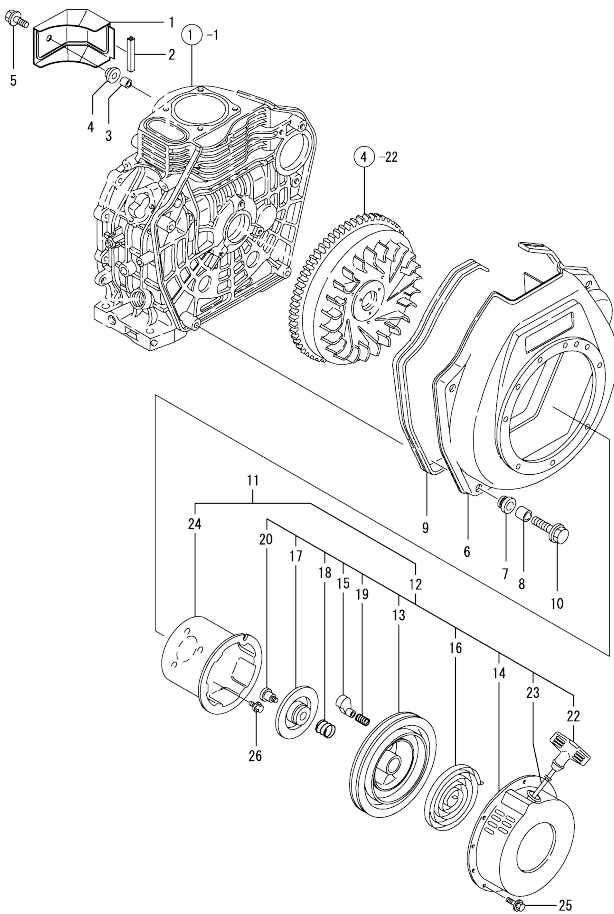


No.	Lev.	Parts No.	Description	Q'ty						I	R
				(A)	(B)	(C)	(D)	(E)	(F)		
		(A=E10715)	(B=E09950)								
50	1	26757-060002	NUT, LOCK M6	1	1						
51	1	114771-61800	WASHER, 10	1	1						Z
		(A=E04351)	(B=E05483)								
52	1	114771-61820	PLATE	1	1						Z
		(A=E04351)	(B=E05483)								
53	1	114771-61900	PROTECTOR	1	1						
53-1	1	114771-61890	PROTECTOR ASSY	1	1						S
		(A=E04351)	(B=E05483)								
53B	2	114771-61960	SPACER	1	1						W
		(A=E04351)	(B=E05483)								
53C	2	24311-000180	O-RING, 1AP18.0	1	1						W
		(A=E04351)	(B=E05483)								
54	1	114771-61930	NUT, CAP M10	1	1						Z
		(A=E04351)	(B=E05483)								

N:Old $\frac{100}{100}$ New, Q:Old $\frac{100}{100}$ New, R:Old $\frac{100}{100}$ New, S:Old $\frac{100}{100}$ New, W:Add, Z:Discontinued, F:Interchangeable by set, K:Qty Change
 Copyright (C) YANMAR CO., LTD. All Rights Reserved.

OCV10-M80301

Fig.6. COOLING & STARTING DEVICE

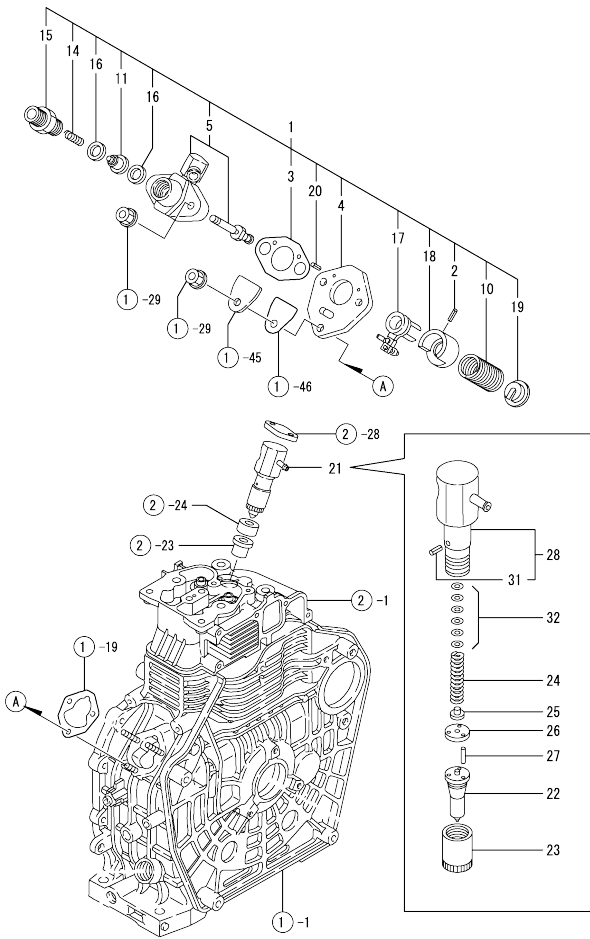


No.	Lev.	Parts No.	Description	Q'ty						I	R
				(A)	(B)	(C)	(D)	(E)	(F)		
1	1	114650-45201	COVER	1	1						
2	1	114350-45320	RUBBER, SEAL	1	1						
3	1	114350-45340	COLLAR	1	1						
4	1	183720-55210	GROMMET	1	1						
5	1	26106-060202	BOLT, M6X 20 PLATED	1	1						
6	1	114668-45102	CASE, COOLING FAN	1	1						
7	1	114250-45301	ABSORBER	4	4						
8	1	114250-45310	COLLAR	4	4						
9	1	114650-45330	SEAL, FAN CASE L=950	1	1						
10	1	114370-45351	BOLT	4	4						
11	1	114660-76052	STARTER ASSY, RECOIL	1	1						
12	2	114660-76251	STARTER ASSY, RECOIL	1	1						
13	3	114880-76520	REEL	1	1						
14	3	114660-76531	CASE, STARTER	1	1						
15	3	114870-76530	RATCHET	2	2						
16	3	114870-76540	SPRING, SPIRAL	1	1						
17	3	114880-76550	GUIDE, RATCHET	1	1						
18	3	114870-76560	SPRING, FRICTION	1	1						
19	3	114870-76570	SPRING, RETURN	2	2						
20	3	114870-76580	SCREW	1	1						
22	3	114870-76620	KNOB, STARTER	1	1						
23	3	114650-76631	ROPE, STARTER	1	1						
24	2	114660-76592	PULLEY, STARTER	1	1						
25	1	26106-060082	BOLT, M6X 8 PLATED	4	4						
26	1	26106-060122	BOLT, M6X 12 PLATED	3	3						

N:Old $\frac{New}{Old}$ New, Q:Old $\frac{New}{Old}$ New, R:Old $\frac{New}{Old}$ New, S:Old $\frac{New}{Old}$ New, W:Add, Z:Discontinued, F:Interchangeable by set, K:Q'ty Change
 Copyright (C) YANMAR CO., LTD. All Rights Reserved.

OCV10-M80301

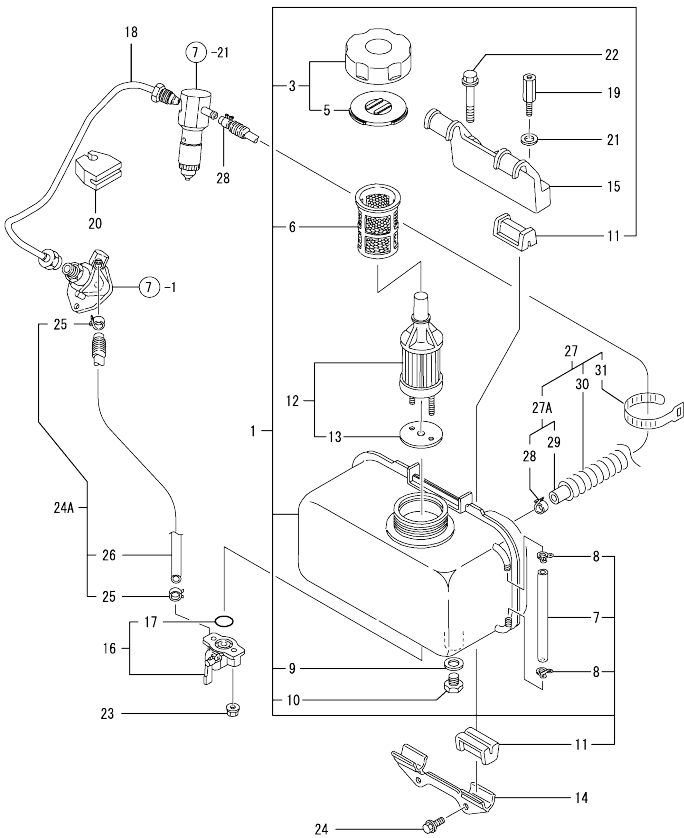
Fig.7. FUEL INJECTION PUMP



No.	Lev.	Parts No.	Description	Q'ty						I	R
				(A)	(B)	(C)	(D)	(E)	(F)		
1	1	714656-51100	PUMP ASSY, INJECTION	1	1						
2	2	22351-030008	PIN, SPRING 3.0X 8	1	1						
3	2	105546-51020	GASKET	1	1						
4	2	114250-51080	PLATE	1	1						
5	2	114970-51100	BODY ASSY, PUMP	1	1						
10	2	114250-51160	SPRING, PLUNGER	1	1						
11	2	114650-51300	VALVE ASSY, DELIVERY	1	1						
14	2	105546-51330	SPRING, DELIVERY	1	1						
15	2	114250-51340	HOLDER, DELIVERY	1	1						
16	2	124550-51350	GASKET, DELIVERY	2	2						
17	2	114250-51600	LEVER ASSY, CONTROL	1	1						
18	2	114250-51640	SEAT, SPRING A	1	1						
19	2	114250-51650	SEAT, SPRING B	1	1						
20	2	22351-020006	PIN, SPRING 2.0X 6	2	2						
21	1	714656-53101	VALVE ASSY, INJECTION	1	1						
22	2	114651-53000	VALVE ASSY, INJECTION	1	1						
23	2	119593-53080	NUT, NOZZLE	1	1						
24	2	114250-53120	SPRING, NOZZLE	1	1						
25	2	119593-53130	SEAT, SPRING	1	1						
26	2	114775-53140	SPACER, VALVE STOP	1	1						
27	2	114775-53210	PIN	2	2						
28	2	114875-53100	HOLDER ASSY, NOZZLE	1	1						
31	3	114250-53331	PIN	1	1						
32	2	114250-53400	SHIM SET	1	1						

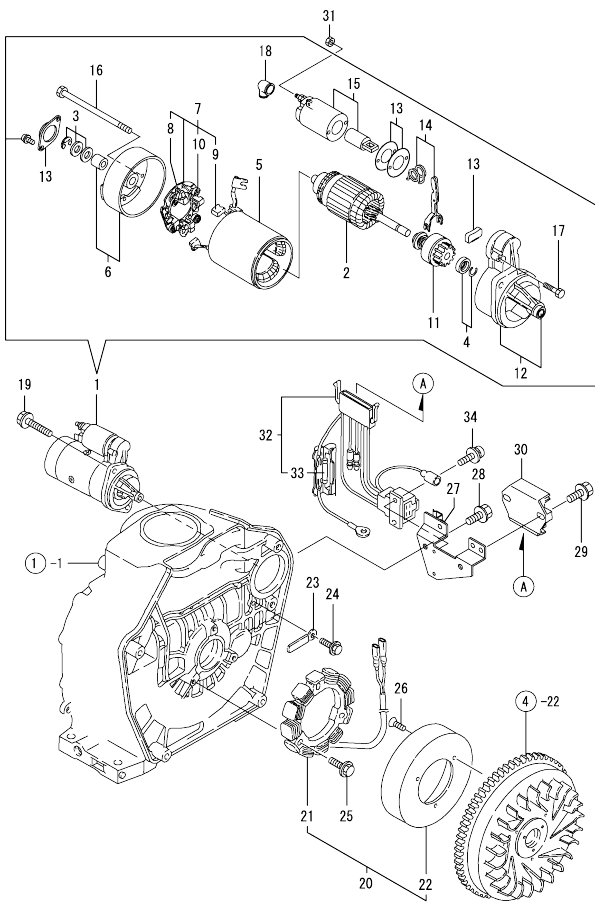
N:Old $\frac{100}{100}$ New, Q:Old $\frac{100}{100}$ New, R:Old $\frac{100}{100}$ New, S:Old $\frac{100}{100}$ New, W:Add, Z:Discontinued, F:Interchangeable by set, K:Qty Change
 Copyright (C) YANMAR CO., LTD. All Rights Reserved.

Fig.8. FUEL TANK & FUEL LINE



No.	Lev.	Parts No.	Description	Q'ty						I	R
				(A)	(B)	(C)	(D)	(E)	(F)		
1	1	714650-55130	TANK ASSY, FUEL	1	1						
3	2	114288-55041	CAP ASSY	1	1						
5	3	114288-55081	VALVE	1	1						
6	2	114250-55100	FILTER, FUEL	1	1						
7	2	114650-55150	GAUGE, LEVEL	1	1						
8	2	103854-55220	RETAINER	2	2						
9	2	23414-080000	GASKET, 8X1.0	1	1						
10	2	105300-55080	PLUG, 8	1	1						
11	2	114250-55201	DAMPER, FUEL TANK	4	4						
12	1	114250-55121	FILTER ASSY, FUEL	1	1						
13	2	114250-55130	GASKET	1	1						
14	1	114299-55210	STAY, FUEL TANK	1	1						
15	1	114699-55230	STAY, FUEL TANK	1	1						
16	1	114250-55301	COCK ASSY, FUEL	1	1						
17	2	24341-000150	O-RING, 1AS15.0	1	1						
18	1	114651-59802	PIPE ASSY, INJECTION	1	1						
18-1	1	114651-59803	PIPE ASSY, INJECTION	1	1						R
(A=E05531) (B=E05483)											
19	1	114650-55810	BOLT	1	1						
20	1	114650-59850	SUPPORT	1	1						
21	1	22117-080000	WASHER, 8	1	1						
22	1	26106-080452	BOLT, M8X 45 PLATED	1	1						
23	1	26366-060002	NUT, M6	2	2						
24	1	26476-060142	SCREW, TAPPING M6X14	2	2						
24A	1	114770-59030	PIPE ASSY, FUEL	1	1						W
(A=E07454) (B=E07455)											
25	2	106990-44660	CLIP, HOSE 12.5	2	2						
25-1	2	114270-59010	CLIP, HOSE 12	2	2						N
(A=E07454) (B=E07455)											
26	2	114268-59061	PIPE, FUEL L=50	1	1						
27	1	114652-59300	PIPE, FUEL RETURN	1	1						
27A	2	114652-59100	PIPE ASSY, FUEL	1	1						W
(A=E03780) (B=E03767)											
28	3	124722-59050	CLIP, HOSE 9	2	2						
29	3	114650-59060	PIPE, FUEL RETURN	1	1						
30	2	114652-59310	TUBE, PROTECT	1	1						
31	2	121750-59890	BAND, 140	1	1						

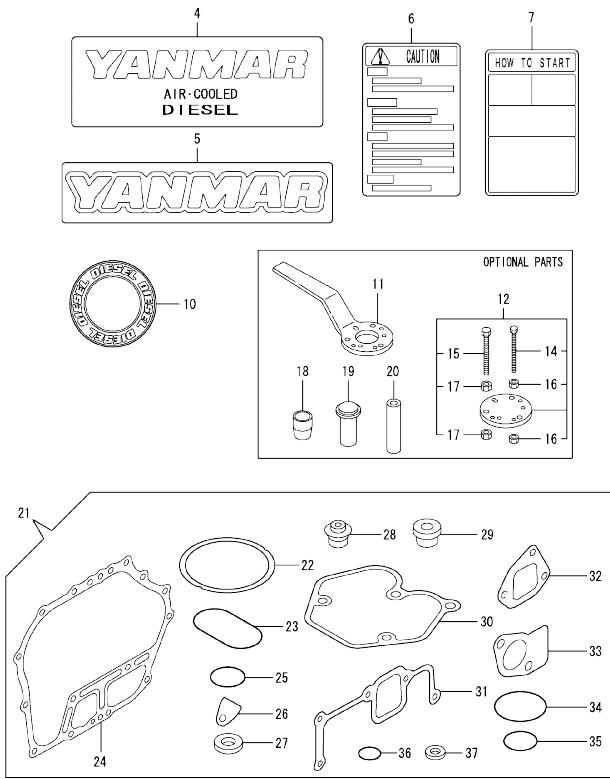
Fig.9. STARTING MOTOR & DYNAMO



No.	Lev.	Parts No.	Description	Q'ty						I	R
				(A)	(B)	(C)	(D)	(E)	(F)		
1	1	114362-77011	STARTER(S114-651A)	1	1						
2	2	114381-77110	ARMATURE	1	1						
3	2	X2114811000	WASHER KIT, THRUST	1	1						
4	2	X2114715500	STOPPER SET, PINION	1	1						
5	2	114381-77130	COIL ASSY, FIELD	1	1						
6	2	114381-77140	COVER, REAR	1	1						
7	2	114371-77160	HOLDER ASSY, BRUSH	1	1						
8	3	114371-79040	BRUSH (-)	2	2						
9	3	114371-79050	BRUSH (+)	1	1						
10	3	114371-79060	SPRING, BRUSH	4	4						
11	2	X211485016	PINION ASSY	1	1						
12	2	114381-77151	HOUSING ASSY, GEAR	1	1						
13	2	114371-77170	COVER KIT, DUST	1	1						
14	2	114371-77180	LEVER KIT, SHIFT	1	1						
15	2	124298-77020	SWITCH, MAGNETIC	1	1						
16	2	124195-77770	BOLT, THROUGH	2	2						
17	2	114371-79070	BOLT M 6X 37	2	2						
18	2	X2114274200	COVER, TERMINAL	1	1						
19	1	26106-100302	BOLT, M10X 30 PLATED	2	2						
20	1	114351-78290	DYNAMO ASSY	1	1						
21	2	114351-78830	STATOR ASSY, 132.1MM	1	1						
22	2	114351-78840	WHEEL, DYNAMO	1	1						
23	1	160710-78710	CLAMP, CORD	1	1						
24	1	26106-060122	BOLT, M6X 12 PLATED	1	1						
25	1	26106-060202	BOLT, M6X 20 PLATED	3	3						
26	1	26577-060142	SCREW M 6X 14	3	3						
27	1	114385-77400	BRACKET	1	1						
28	1	26106-060122	BOLT, M6X 12 PLATED	2	2						
29	1	26106-060202	BOLT, M6X 20 PLATED	2	2						
30	1	119660-77710	LIMITER, CURRENT 15A	1	1						
31	1	26716-080002	NUT, M8	1	1						
32	1	114351-77540	HARNESS, WIRE	1	1						
33	2	29411-200000	FUSE, CARTRIDGE 20A	2	2						
34	1	26023-040102	SCREW, M4X10	2	2						

N:Old $\frac{New}{100}$ New, Q:Old $\frac{New}{100}$ New, R:Old $\frac{New}{100}$ New, S:Old $\frac{New}{100}$ New, W:Add, Z:Discontinued, F:Interchangeable by set, K:Qty Change
 Copyright (C) YANMAR CO., LTD. All Rights Reserved.

Fig.10. TOOL,LABEL & GASKET SET



No.	Lev.	Parts No.	Description	Q'ty						I	R
				(A)	(B)	(C)	(D)	(E)	(F)		
4	1	114250-07090	LABEL, AIR COOLED	1	1						
5	1	114250-07111	LABEL, YANMAR	1	1						
6	1	114268-07240	LABEL, CAUTION	1	1						
7	1	114268-07350	LABEL, HOW TO START	1	1						
10	1	114261-07350	LABEL	1	1						
11	1	114250-92101	F.W. LOCKING HANDLE	1	1						1
12	1	114250-92130	REMOVER, FLYWHEEL	1	1						1
14	2	26116-060454	BOLT M 6X 45 PLATED	4	4						1
15	2	26116-080454	BOLT, M8X 45 PLATED	3	3						1
16	2	26716-060002	NUT, M6	8	8						1
17	2	26716-080002	NUT, M8	6	6						1
18	1	114668-92300	GUIDE, OIL SEAL	1	1						1
19	1	114650-92310	INSTALLING TOOL	1	1						1
20	1	114650-92350	INSTALLING TOOL	1	1						1
21	1	714651-92620	GASKET SET	1	1						1
22	2	114651-01330	GASKET SET, HEAD	1	1						
23	2	114650-01380	O-RING	1	1						
24	2	114650-01412	GASKET, CRANK CASE	1	1						
25	2	114299-01950	O-RING, 18	2	2						
26	2	114250-01841	GASKET	1	1						
27	2	22190-160002	WASHER, SEAL 16	2	2						
28	2	114650-11340	SEAL, VALVE STEM	2	2						
29	2	114771-11461	GASKET, NOZZLE	1	1						
30	2	114651-11310	GASKET, BONNET	1	1						
31	2	114650-12301	GASKET	1	1						
32	2	114650-12211	GASKET, AIR CLEANER	1	1						
33	2	114650-13201	GASKET (NON-ASB.)	1	1						
34	2	103338-32570	O-RING	1	1						
35	2	24341-000224	O-RING, 1AS22.4	1	1						
36	2	24311-000125	O-RING, 1AP12.5	1	1						
37	2	23414-080000	GASKET, 8X1.0	1	1						

Remarks
(1) OPTIONAL PART.

Parts No. Index

Parts No.	Fig. No.	Ref. No.
103338-32570	5	7
	10	34
103854-55220	8	8
104211-11370	2	22
105025-01220	1	8
105225-66990	5	47
105300-23200	4	41
105300-55080	8	10
105425-01690	1	38
105546-51020	7	3
105546-51330	7	14
106990-44660	8	25
114250-01800	1	19
114250-01830	1	45
114250-01841	1	46
	10	26
114250-03591	2	36
114250-03640	2	39
114250-07090	10	4
114250-07111	10	5
114250-11240	2	14
		18
114250-11901	2	28
114250-12300	3	11
114250-32070	5	6
114250-35070	5	11
114250-35110	5	10
114250-35150	1	36
114250-45301	6	7
114250-45310	6	8
114250-51080	7	4
114250-51160	7	10
114250-51340	7	15
114250-51600	7	17
114250-51640	7	18
114250-51650	7	19
114250-53120	7	24
114250-53331	7	31
114250-53400	7	32
114250-55100	8	6
114250-55121	8	12
114250-55130	8	13
114250-55201	8	11
114250-55301	8	16
114250-66200	5	33
114250-66440	5	46
114250-92101	10	11
114250-92130	10	12
114252-12550	3	10
114252-12560	3	6

Parts No.	Fig. No.	Ref. No.
114252-66051	5	42
114252-66252	5	45
114261-07350	10	10
114268-07240	10	6
114268-07350	10	7
114268-59061	8	26
114270-01600	1	57
114270-59010	8	25 -1
114288-55041	8	3
114288-55081	8	5
114299-01950	1	41
	10	25
114299-02030	1	43
114299-55210	8	14
114350-01700	1	6
114350-45320	6	2
114350-45340	6	3
114351-77540	9	32
114351-78290	9	20
114351-78830	9	21
114351-78840	9	22
114362-77011	9	1
114370-45351	6	10
114371-77160	9	7
114371-77170	9	13
114371-77180	9	14
114371-79040	9	8
114371-79050	9	9
114371-79060	9	10
114371-79070	9	17
114381-77110	9	2
114381-77130	9	5
114381-77140	9	6
114381-77151	9	12
114385-77400	9	27
114650-01230	1	9
114650-01240	1	10
114650-01250	1	11
114650-01260	1	12
114650-01380	1	56
	10	23
114650-01412	1	30
	10	24
114650-02100	1	34
114650-02150	1	44
114650-02200	1	51
114650-02210	1	52
114650-07450	3	9 A
114650-11121	2	8
114650-11340	2	21

Parts No.	Fig. No.	Ref. No.
114650-11340	10	28
114650-11600	2	25
114650-12211	3	1
	10	32
114650-12301	3	13
	10	31
114650-12520	3	4
114650-12530	3	5
114650-12531	3	5 -1
114650-12532	3	5 -2
114650-12550	3	9
114650-12590	3	7
114650-13201	3	17
	10	33
114650-14200	4	6
114650-14401	4	8
114650-14402	4	8 -1
114650-21551	4	60
114650-32010	5	1
114650-45201	6	1
114650-45330	6	9
114650-51300	7	11
114650-55150	8	7
114650-55810	8	19
114650-59060	8	29
114650-59850	8	20
114650-76631	6	23
114650-92310	10	19
114650-92350	10	20
114651-01330	1	13
	10	22
114651-11020	2	1
114651-11100	2	6
114651-11110	2	7
114651-11250	2	10
114651-11260	2	11
114651-11310	2	33
	10	30
114651-11650	2	12
114651-11660	2	16
114651-11950	2	34
114651-53000	7	22
114651-59802	8	18
114651-59803	8	18 -1
114651-66550	5	34
114652-22040	4	61
114652-22050	4	67
114652-22140	4	63
114652-22150	4	69
114652-59100	8	27 A

Parts No.	Fig. No.	Ref. No.
114652-59300	8	27
114652-59310	8	30
114658-13800	3	27
114660-01471	1	31
114660-76052	6	11
114660-76251	6	12
114660-76531	6	14
114660-76592	6	24
114662-21593	4	22
114662-21601	4	25
114668-45102	6	6
114668-92300	10	18
114674-13511	3	19
114674-13551	3	18
114699-01760	1	39
114699-12020	3	12
114699-21590	4	22 -1
114699-22300	4	35
114699-55230	8	15
114770-59030	8	24 A
114770-61190	5	31
114770-61520	5	27
114770-61600	5	28
114770-61610	5	29
114771-11461	2	23
	10	29
114771-11470	2	24
114771-14260	4	7
114771-61700	5	34 -1
114771-61800	5	51
114771-61810	5	38 A
114771-61820	5	52
114771-61830	5	38 B
114771-61890	5	53 -1
114771-61900	5	53
114771-61930	5	54
114771-61940	5	38 C
114771-61960	5	53 B
114771-66600	5	38 D
114771-66690	5	38 E
114775-53140	7	26
114775-53210	7	27
114870-76530	6	15
114870-76540	6	16
114870-76560	6	18
114870-76570	6	19
114870-76580	6	20
114870-76620	6	22
114875-53100	7	28
114880-76520	6	13

Parts No. Index

Parts No.	Fig. No.	Ref. No.
114880-76550	6	17
114970-13710	3	21
114970-51100	7	5
114970-66010	5	32
114973-13710	3	22
119593-53080	7	23
119593-53130	7	25
119620-11180	2	9
119660-77710	9	30
121252-39450	1	54
121750-59890	8	31
122710-01220	4	59
124060-23100	4	40
124195-77770	9	16
124298-77020	9	15
124550-51350	7	16
124722-59050	8	28
129792-22400	4	36
135210-61090	5	40
160260-01580	3	23
160310-14550	4	50
160710-78710	9	23
183360-66110	5	44
183382-13700	3	20
183720-55210	6	4
22117-080000	8	21
22190-160002	1	42
	10	27
22242-000150	2	20
22312-030160	2	41
	5	8
22312-040080	1	53
22322-030200	5	19
		20
22351-020006	7	20
22351-030008	7	2
22351-040008	2	29
22451-060000	5	41
22512-050140	4	26
22512-070140	4	58
22512-070360	4	51
23414-080000	8	9
	10	37
23876-010000	1	54 -1
		55
24101-062034	4	49
24101-063034	4	57
24162-152112	1	47
24311-000125	5	30
	10	36

Parts No.	Fig. No.	Ref. No.
24311-000180	5	53 C
24341-000150	8	17
24341-000224	5	12
	10	35
24423-355008	1	48
		49
26023-040102	9	34
26106-060082	6	25
26106-060122	5	9 -1
	6	26
	9	24
		28
26106-060142	5	49 -1
26106-060162	5	13
26106-060202	5	48
	6	5
	9	25
		29
26106-060252	3	14
26106-060702	2	27
26106-080122	1	50
26106-080162	3	24
26106-080202	4	52
26106-080352	1	37
26106-080452	8	22
26106-080552	2	30
26106-100122	1	7
26106-100302	9	19
26116-060454	10	14
26116-080454	10	15
26216-080182	3	25
26226-060142	3	15
26226-060182	1	58
26226-060222	1	28
26226-060552	2	31
26226-060752	3	16
26306-080002	3	26 -1
26366-060002	1	29
	2	32
	8	23
26366-080002	3	26
26476-060142	5	9
		49
	8	24
26554-060182	3	28
26577-060142	9	26
26716-060002	10	16
26716-080002	9	31
	10	17
26757-060002	5	50

Parts No.	Fig. No.	Ref. No.
26776-100002	5	39
26856-060002	2	15
		19
27310-070001	2	26
29411-200000	9	33
714650-12560	3	2
714650-12561	3	2 -1
714650-23100	4	37
714650-23600	4	42
714650-23610	4	53
714650-23620	4	55
714650-55130	8	1
714650-61500	5	14
714651-92620	10	21
714652-22720	4	27
714653-21700	4	13
714654-21730	4	12
714655-01560	1	1 -1
714656-51100	7	1
714656-53101	7	21
71465G-23700	4	37 -1
714660-14100	4	1
714685-61500	5	14 -1
714685-61700	5	21
714970-01560	1	1
714970-22500	4	29
714970-28100	4	44
X2114274200	9	18
X2114715500	9	4
X2114811000	9	3
X211485016	9	11

Parts No.	Fig. No.	Ref. No.
-----------	----------	----------