

0CV10-M80000EN

# PREFACE

1. This Parts Catalog carries all parts incorporated in YANMAR Model L100EE-DEVK1, L100EE-DEVK2 and L100EE-DEVK3 engine manufactured since February, 2001 .
2. Each illustration corresponds to the parts list on the following page.
3. When ordering parts, clearly write down the engine model and serial number, as well as the name and number of each part in your order sheet. This will help insure reliable delivery of the parts you have ordered.

## Directions for the Parts Catalog.

1. This Parts Catalog shows both standard and optional parts.
2. Parts may change without prior notice.
3. The following is an example of the Parts Catalog format.

REF.	LEV.	PARTS NO.	DESCRIPTION	Q'TY						I	R
				(A)	(B)	(C)	(D)	(E)	(F)		
1	1	729595-51390	FUEL INJECTION PUMP	1	1	1	1	1			1
1-1	1	729595-51391	FUEL INJECTION PUMP	1	1	1	1	1		N	1
		(A=E00185) (B=E00200)									
3	2	26022-060162	SCREW M 6X 16	9	9	9	9	9			
3-1	2	26022-060162	SCREW M 6X 16	4	4	4	4	4		K	
		(A=E00156) (B=E00156) (C=E00156) (D=E00156) (E=E00156)									
4	2	129470-51040	CAMSHAFT	1	1	1	1	1			
5	2	122710-51050	BEARING, ROLLER	2	2	2	2	2			
6	2	129470-51060	RETAINER	1	1	1	1	1			

Remarks
(1) BOOST COMPEMSATOR TYPE. OPTIONAL PART, TO E00155,(4JH-DT, 4JH-DTZ

### ① Ref. No.

The Ref. No. listed may not be in accordance with the illustration Ref. No.

(Ex.) Illustration No.

List Ref No.

1 1 (Before change) → 1-1 (After change)

For interchangeable symbols N, R and K, illustrations for new parts may be abbreviated.

### ② Lev. (Level)

Level indication

The numbers below indicate the level of relativity towards the main part.

1 ---- Main parts (Assembly parts)

2 ---- Sub component included in " 1 ".

3 ---- Sub component included in " 2 ".

Note) Parts that are not for sale are partially illustrated but not listed.

### ③ Interchangeability Symbol

When a part change takes place, one of the following interchangeability symbols is indicated beside the part.

Symbol	Interchangeability	Contents note
N	Old $\begin{matrix} \leftarrow \text{Yes} \\ \text{No} \rightarrow \end{matrix}$ New	New Part is interchangeable for Old Part but Old Part is not interchangeable for New Part.
Q	Old $\begin{matrix} \leftarrow \text{No} \\ \text{Yes} \rightarrow \end{matrix}$ New	New Part is not interchangeable for Old Part but Old Part is interchangeable for New Part.
R	Old $\begin{matrix} \leftarrow \text{Yes} \\ \text{Yes} \rightarrow \end{matrix}$ New	New/ Old Parts are both interchangeable.
S	Old $\begin{matrix} \leftarrow \text{No} \\ \text{No} \rightarrow \end{matrix}$ New	New/ Old Parts are both not interchangeable.
W		Part newly added.
Z		Part discontinued.
F		Not interchangeable by a single part but interchangeable together with related parts.
K		Changes only for used parts quantities.

### ④ Effective Machine No.

When a part changes, the effective Machine No. will be indicated in the (A)-(F) column.

Product Symbol	Product No.	Product Symbol	Product No.
C	Clutch No. Compressor No.	F	Machine No. (Agricultural Equip.)
D	Drive No.	M	Machine No.
E	Engine No.		

Note 1) A date may follow the symbol. (Ex.) 1996.01

Note 2) "XXXXX" and "ZZZZZ" are for parts that could not be predicted or for engine models that could not be identified.

Note 3) (A=E00185) is the E (Engine Serial Number) for the column (A) model (in this case 4JH-DT) after the parts design change.

### ⑤ Remarks

Figures or alphabets (symbols) are entered in the remarks column.

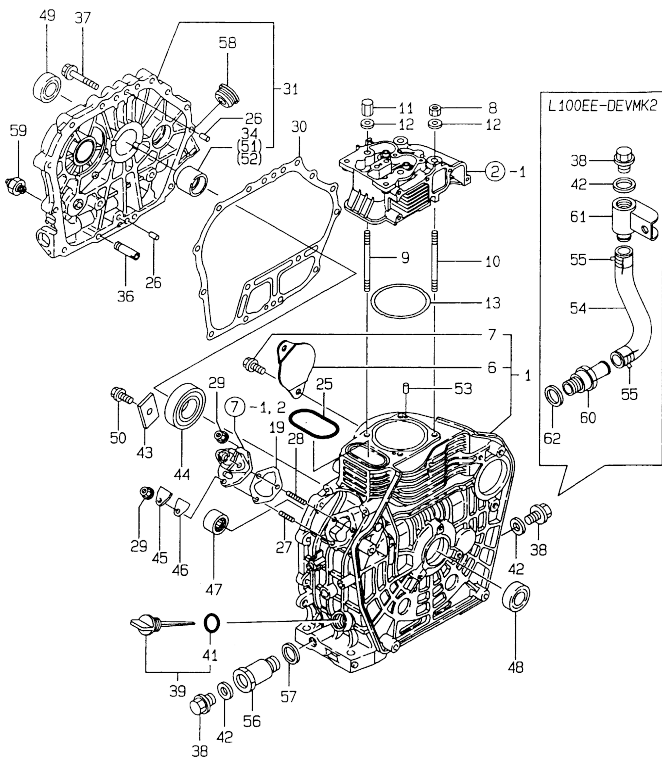
The comments (remarks) on parts that are indicated at the bottom of the illustration are the same symbols as those stated above.

## Contents

Fig. No.	Fig. Name	Fig. No.	Fig. Name
L100EE-DEVMK1(2,3)			
1.	CYLINDER BLOCK		
2.	CYLINDER HEAD & BONNET		
3.	AIR CLEANER & MUFFLER		
4.	CRANKSHAFT,PISTON & CAMSHAFT		
5.	LUB.OIL PUMP & GOVERNOR		
6.	COOLING & STARTING DEVICE		
7.	FUEL INJECTION PUMP		
8.	FUEL TANK & FUEL PIPE		
9.	STARTING MOTOR & DYNAMO		
10.	TOOL,LABEL & GASKET SET		

Fig.1. CYLINDER BLOCK

1. CYLINDER BLOCK



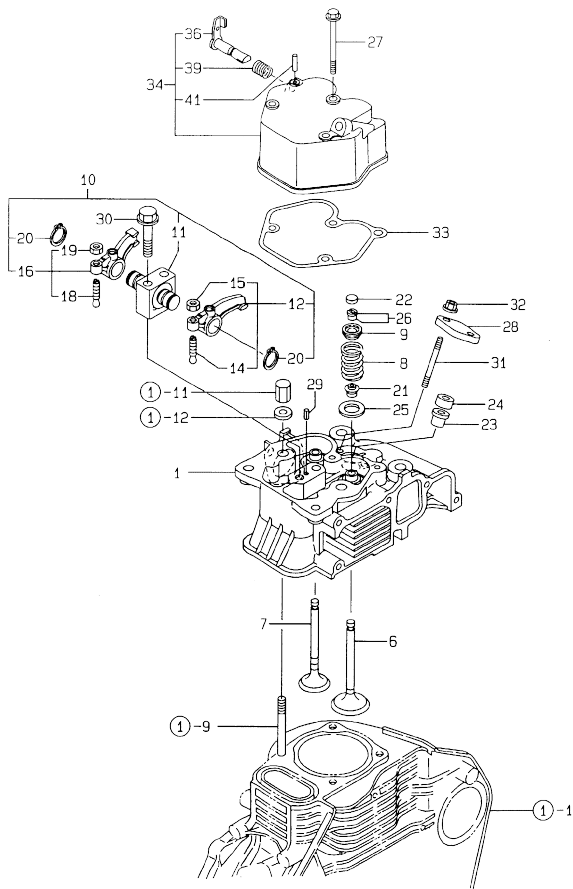
No.	Lev.	Parts No.	Description	Q'ty						I	R
				(A)	(B)	(C)	(D)	(E)	(F)		
1	1	714970-01560	BLOCK ASSY, CYLINDER	1	1	1					
6	2	114350-01700	COVER	1	1	1					
7	2	26106-100122	BOLT, M10X 12 PLATED	2	2	2					
8	1	105025-01220	NUT, CYLINDER HEAD	2	2	2					
9	1	114650-01230	BOLT, HEAD	2	2	2					
10	1	114650-01240	BOLT, HEAD	2	2	2					
11	1	114650-01250	NUT, CYLINDER HEAD	2	2	2					
12	1	114650-01260	WASHER	4	4	4					
13	1	114651-01330	GASKET SET, HEAD	1	1	1					
19	1	114250-01800	SHIM SET	1	1	1					
25	1	114650-01380	O-RING	1	1	1					
26	1	114270-01600	PIN, M8X12	2	2	2					
27	1	26226-060182	STUD, M6X 18	1	1	1					
28	1	26226-060222	STUD, M6X 22	2	2	2					
29	1	26366-060002	NUT, M6	3	3	3					
30	1	114650-01412	GASKET, CRANK CASE	1	1	1					
31	1	114660-01471	COVER, CRANK CASE	1	1	1					
34	2	114650-02100	BEARING, MAIN	1	1	1					1
36	1	114250-35150	PIPE, OIL INLET	1	1	1					
37	1	26106-080352	BOLT, M8X 35 PLATED	16	16	16					
38	1	105425-01690	PLUG, 16	2	2	2					
39	1	114699-01760	CAP ASSY	1	1	1					
41	2	114299-01950	O-RING, 18	1	1	1					
42	1	22190-160002	WASHER, SEAL 16	2	2	2					
43	1	114299-02030	RETAINER, BEARING	1	1	1					
44	1	114650-02150	BEARING, HR6308G3C3	1	1	1					
45	1	114250-01830	COVER	1	1	1					
46	1	114250-01841	GASKET	1	1	1					
47	1	24162-152112	BEARING, 152112	1	1	1					
48	1	24423-355008	SEAL, OIL TC355008	1	1	1					
49	1	24423-355008	SEAL, OIL TC355008	1	1	1					
50	1	26106-080122	BOLT, M8X 12 PLATED	1	1	1					
51	1	114650-02200	BEARING, 0.25 US	1	1	1					2
52	1	114650-02210	BEARING, 0.50 US	1	1	1					3
53	1	22312-040080	PIN, PARALLEL M4X 8	2	2	2					
54	1	114984-01940	PIPE, DRAIN	1							
55	1	23000-019000	CLAMP, 19	2							
56	1	183279-08350	NIPPLE, DRAIN	1							1
57	1	22190-160002	WASHER, SEAL 16	1							1
58	1	160110-01870	PLUG, RUBBER	1	1	1					
59	1	121252-39450	SWITCH, 0.5KG	1	1	1					
60	1	114985-08350	NIPPLE, DRAIN	1							
61	1	114352-39400	JOINT, DRAIN	1							
62	1	22190-160002	WASHER, SEAL 16	1							

Remarks

- (1) REPAIR PART.
- (2) UNDER-SIZE(U.S=0.25)PART.
- (3) UNDER-SIZE(U.S=0.50)PART.

Fig.2. CYLINDER HEAD & BONNET

2. CYLINDER HEAD & BONNET

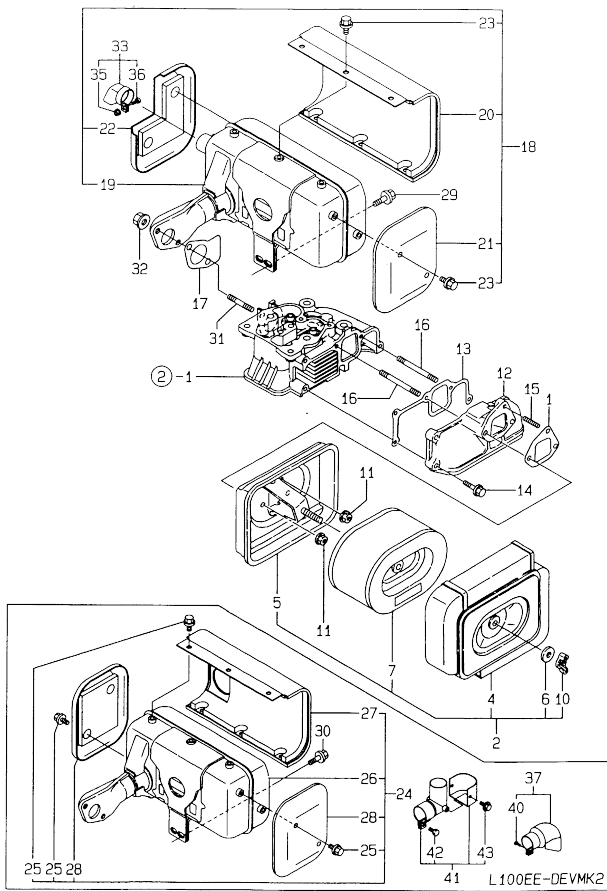


(A)=L100EEDEVK1  
 (B)=L100EEDEVK2  
 (C)=L100EEDEVK3  
 (D)=  
 (E)=  
 (F)=

No.	Lev.	Parts No.	Description	Q'ty						I	R
				(A)	(B)	(C)	(D)	(E)	(F)		
1	1	114651-11020	HEAD ASSY, CYLINDER	1	1	1					
6	1	114651-11100	VALVE, INTAKE	1	1	1					
7	1	114651-11110	VALVE, EXHAUST	1	1	1					
8	1	114650-11121	SPRING, VALVE	2	2	2					
9	1	119620-11180	RETAINER, SPRING	2	2	2					
10	1	114651-11250	SUPPORT ASSY, ARM	1	1	1					
11	2	114651-11260	SUPPORT, ROCKER ARM	1	1	1					
12	2	114651-11650	ARM, ROCKER	1	1	1					
14	3	114250-11240	SCREW, VALVE ADJUST	1	1	1					
15	3	26856-060002	NUT, M6	1	1	1					
16	2	114651-11660	ARM, ROCKER	1	1	1					
18	3	114250-11240	SCREW, VALVE ADJUST	1	1	1					
19	3	26856-060002	NUT, M6	1	1	1					
20	2	22242-000150	RING, 15	2	2	2					
21	1	114650-11340	SEAL, VALVE STEM	2	2	2					
22	1	104211-11370	CAP VALVE	2	2	2					
23	1	114771-11461	GASKET, NOZZLE	1	1	1					
24	1	114771-11470	SPACER, NOZZLE	1	1	1					
25	1	114650-11600	WASHER	2	2	2					
26	1	27310-070001	COTTER, 7	2	2	2					
27	1	26106-060702	BOLT, M6X 70 PLATED	3	3	3					
28	1	114250-11901	RETAINER, NOZZLE	1	1	1					
29	1	22351-040008	PIN, SPRING 4.0X 8	1	1	1					
30	1	26106-080552	BOLT, M8X 55 PLATED	2	2	2					
31	1	26226-060552	STUD, M6X 55	2	2	2					
32	1	26366-060002	NUT, M6	2	2	2					
33	1	114651-11310	GASKET, BONNET	1	1	1					
34	1	114651-11950	BONNET ASSY, HEAD	1	1	1					
36	2	114250-03591	LEVER ASSY	1	1	1					
39	2	114250-03640	SPRING, DECOMPRESSION	1	1	1					
41	2	22312-030160	PIN, PARALLEL M3X16	1	1	1					

Fig.3. AIR CLEANER & MUFFLER

3. AIR CLEANER & MUFFLER

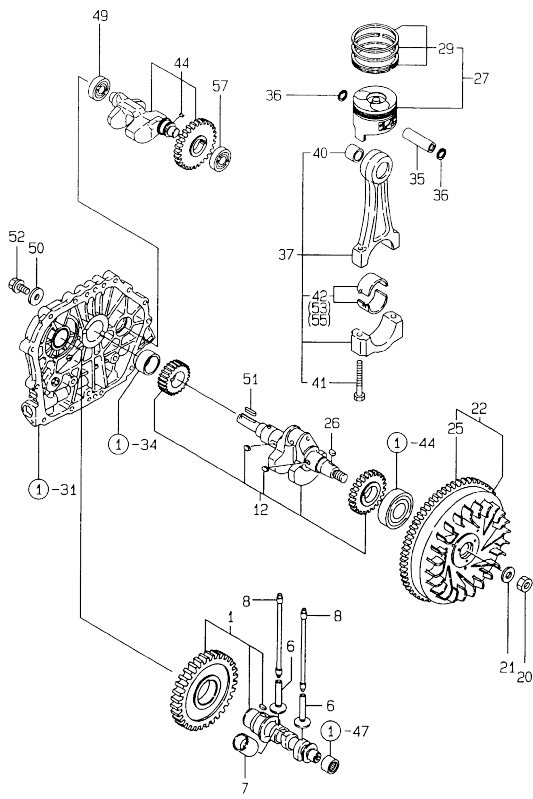


(A)=L100EEDEVMK1  
 (B)=L100EEDEVMK2  
 (C)=L100EEDEVMK3  
 (D)=  
 (E)=  
 (F)=

No.	Lev.	Parts No.	Description	Q'ty						I	R
				(A)	(B)	(C)	(D)	(E)	(F)		
1	1	114650-12211	GASKET, AIR CLEANER	1	1	1					
2	1	714650-12560	CLEANER ASSY, AIR	1	1	1					
4	2	114650-12520	COVER, AIR CLEANER	1	1	1					
5	2	114650-12530	CASE ASSY, CLEANER	1	1	1					
6	2	114252-12560	WASHER, SEAL M8	1	1	1					
7	2	114650-12590	ELEMENT ASSY	1	1	1					
10	2	114252-12550	NUT, WING M8	1	1	1					
11	1	114250-12300	NUT	3	3	3					
12	1	114699-12020	PIPE, AIR INTAKE	1	1	1					
13	1	114650-12301	GASKET	1	1	1					
14	1	26106-060252	BOLT, M6X 25 PLATED	3	3	3					
15	1	26226-060142	STUD, M6X 14	1	1	1					
16	1	26226-060752	STUD, M6X 75	2	2	2					
17	1	114650-13201	GASKET (NON-ASB.)	1	1	1					
18	1	114674-13551	MUFFLER ASSY	1	1	1					
19	2	114674-13511	MUFFLER	1	1	1					
20	2	183382-13700	COVER	1	1	1					
21	2	114970-13710	COVER	1	1	1					
22	2	114973-13710	COVER	1	1	1					
23	2	160260-01580	BOLT, FLANGE M6X6	10	10	10					
24	1	114970-13551	MUFFLER ASSY			1					
25	2	160260-01580	BOLT, FLANGE M6X6		10						
26	2	114970-13561	MUFFLER		1						
27	2	114970-13700	COVER		1						
28	2	114970-13710	COVER		2						
29	1	26106-080162	BOLT, M8X 16 PLATED	2		2					
30	1	26106-080182	BOLT, M8X 18 PLATED		2						
31	1	26216-080182	STUD, M8X 18	2	2	2					
32	1	26366-080002	NUT, M8	2	2	2					
33	1	114985-13800	EXTENSION ASSY	1	1	1					
35	2	26367-060002	NUT, M6	1	1	1					
36	2	26554-060162	SCREW, M6X16	1	1	1					
37	1	105198-13621	EXTENSION ASSY		1						
40	2	105098-13990	BOLT		1						
41	1	114985-13701	PIPE, SILENCER		1						
42	2	105098-13990	BOLT		1						
43	2	26113-060082	BOLT, M6X 8		2						

Fig.4. CRANKSHAFT,PISTON & CAMSHAFT

4. CRANKSHAFT, PISTON & CAMSHAFT



Remarks  
 (1) UNDER-SIZE(U.S=0.25)PART.  
 (2) UNDER-SIZE(U.S=0.50)PART.

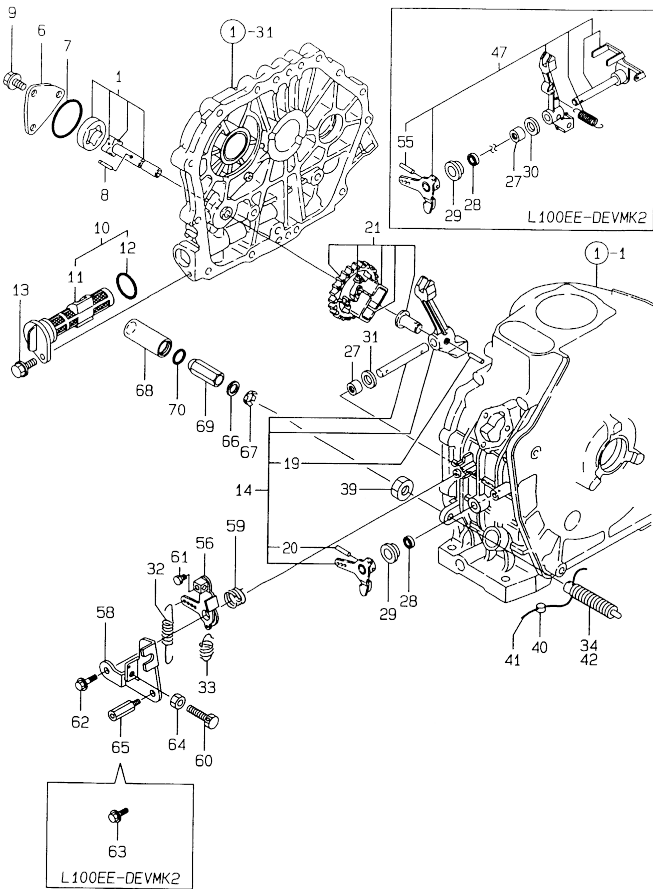
(A)=L100EEDEVK1 (D)=  
 (B)=L100EEDEVK2 (E)=  
 (C)=L100EEDEVK3 (F)=

No.	Lev.	Parts No.	Description	Qty						I	R
				(A)	(B)	(C)	(D)	(E)	(F)		
1	1	714660-14100	CAMSHAFT ASSY	1	1	1					
6	1	114650-14200	TAPPET	2	2	2					
7	1	114771-14260	TAPPET	1	1	1					
8	1	114650-14401	ROD ASSY, PUSH	2	2	2					
12	1	714654-21730	CRANKSHAFT ASSY	1	1	1					
20	1	122710-01220	NUT, CYLINDER HEAD	1	1	1					
21	1	114650-21551	WASHER	1	1	1					
22	1	114662-21593	FLYWHEEL ASSY	1	1	1					
25	2	114662-21601	GEAR, RING	1	1	1					
26	1	22512-050140	KEY, 5X 14	1	1	1					
27	1	714652-22720	PISTON ASSY, D	1	1	1					
29	2	714970-22500	RING SET, PISTON	1	1	1					
35	1	114699-22300	PIN, PISTON D=23	1	1	1					
36	1	129792-22400	CIRCLIP, 23	2	2	2					
37	1	714650-23100	ROD ASSY, CONNECTING	1	1	1					
40	2	124060-23100	BEARING, PISTON PIN	1	1	1					
41	2	105300-23200	BOLT, CONNECTING ROD	2	2	2					
42	2	714650-23600	BEARING, CRANK PIN	1	1	1					
44	1	714970-28100	SHAFT ASSY, BALANCER	1	1	1					
49	1	24101-062034	BEARING, BALL 6203	1	1	1					
50	1	160310-14550	WASHER	1	1	1					
51	1	22512-070360	KEY, 7X 36	1	1	1					
52	1	26106-080202	BOLT, M8X 20 PLATED	1	1	1					
53	1	714650-23610	BEARING ASSY, 0.25	1	1	1					1
55	1	714650-23620	BEARING, 0.50 US	1	1	1					2
57	1	24101-063034	BEARING, BALL 6303	1	1	1					



Fig.5. LUB.OIL PUMP & GOVERNOR

5. LUB.OIL PUMP & GOVERNOR

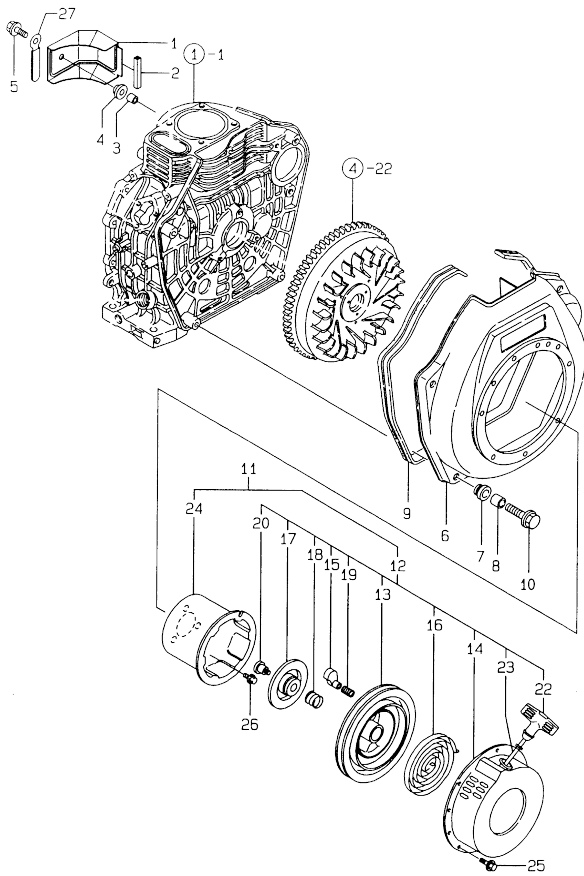


(A)=L100EEDEVVK1  
 (B)=L100EEDEVVK2  
 (C)=L100EEDEVVK3  
 (D)=  
 (E)=  
 (F)=

No.	Lev.	Parts No.	Description	Q'ty						I	R
				(A)	(B)	(C)	(D)	(E)	(F)		
1	1	114650-32010	PUMP ASSY, OIL	1	1	1					
6	1	114250-32070	COVER	1	1	1					
7	1	103338-32570	O-RING	1	1	1					
8	1	22312-030160	PIN, PARALLEL M3X16	1	1	1					
9	1	26476-060142	SCREW, TAPPING M6X14	3	3	3					
10	1	114250-35110	FILTER ASSY, OIL	1	1	1					
11	2	114250-35070	FILTER, OIL	1	1	1					
12	2	24341-000224	O-RING, 1AS22.4	1	1	1					
13	1	26106-060162	BOLT, M6X 16 PLATED	1	1	1					
14	1	714650-61500	LEVER ASSY, GOVERNOR	1	1	1					
19	2	22322-030200	PIN, TAPER 3X20	1	1	1					
20	2	22322-030200	PIN, TAPER 3X20	1	1	1					
21	1	714685-61700	GOVERNOR ASSY	1	1	1					
27	1	114770-61520	BEARING, NEEDLE	2	2	2					
28	1	114770-61600	SEAL, OIL	1	1	1					
29	1	114770-61610	WASHER, THRUST	1	1	1					
30	1	22137-080000	WASHER, 8	1	1	1					
31	1	114770-61190	WASHER	1	1	1					
32	1	114970-66010	SPRING, REGULATOR	1	1	1					
33	1	114250-66200	SPRING, RETURN	1	1	1					
34	1	114650-66750	LIMITER ASSY, FUEL	1	1	1					
39	1	26776-100002	NUT, LOCK M10	1	1	1					
40	1	135210-61090	LEAD	1	1	1					
41	1	22451-060000	WIRE, 0.6	1	1	1					
42	1	114250-66550	LIMITER ASSY, FUEL	1	1	1					
47	1	714685-61500	LEVER ASSY, GOVERNOR	1	1	1					
55	2	22322-030200	PIN, TAPER 3X20	1	1	1					
56	1	114252-66051	HANDLE, REGULATOR	1	1	1					
58	1	183360-66110	BRACKET	1	1	1					
59	1	114252-66252	SPRING, RETURN	1	1	1					
60	1	114250-66440	BOLT, ADJUSTING	1	1	1					
61	1	105225-66990	SCREW, M5X8.5	1	1	1					
62	1	26106-060202	BOLT, M6X 20 PLATED	1	1	1					
63	1	26476-060142	SCREW, TAPPING M6X14	1	1	1					
64	1	26757-060002	NUT, LOCK M6	1	1	1					
65	1	114651-66150	BOLT	1	1	1					
66	1	114771-61800	WASHER, 10	1	1	1					
67	1	114771-61820	PLATE	1	1	1					
68	1	114771-61900	PROTECTOR	1	1	1					
69	1	114771-61930	NUT, CAP M10	1	1	1					
70	1	24311-000125	O-RING, 1AP12.5	1	1	1					

Fig.6. COOLING & STARTING DEVICE

5. COOLING & STARTING DEVICE

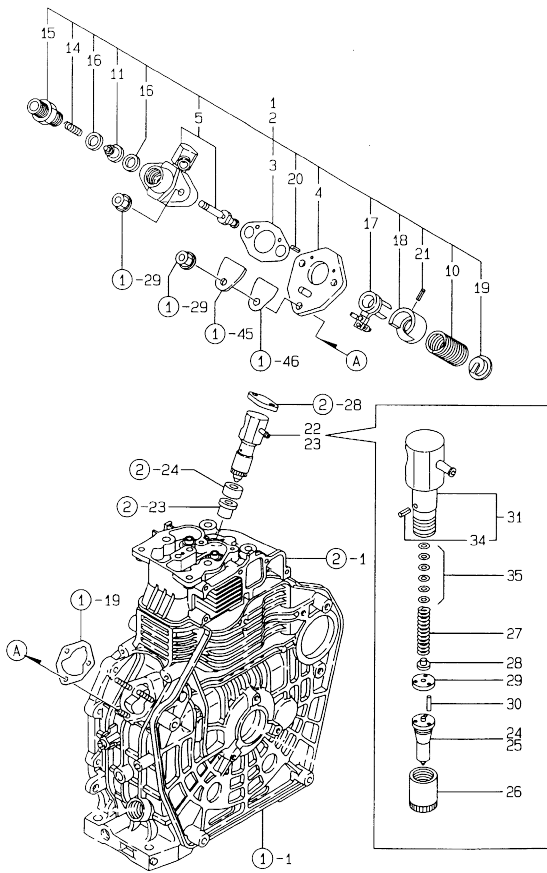


(A)=L100EEDEVK1  
(B)=L100EEDEVK2  
(C)=L100EEDEVK3  
(D)=  
(E)=  
(F)=

No.	Lev.	Parts No.	Description	Q'ty						I	R
				(A)	(B)	(C)	(D)	(E)	(F)		
1	1	114650-45201	COVER	1	1	1					
2	1	114350-45320	RUBBER, SEAL	1	1	1					
3	1	114350-45340	COLLAR	1	1	1					
4	1	183720-55210	GROMMET	1	1	1					
5	1	26106-060202	BOLT, M6X 20 PLATED	1	1	1					
6	1	114668-45102	CASE, COOLING FAN	1	1	1					
7	1	114250-45301	ABSORBER	4	4	4					
8	1	114250-45310	COLLAR	4	4	4					
9	1	114650-45330	SEAL, FAN CASE L=950	1	1	1					
10	1	114370-45351	BOLT	4	4	4					
11	1	114660-76052	STARTER ASSY, RECOIL	1	1	1					
12	2	114660-76251	STARTER ASSY, RECOIL	1	1	1					
13	3	114880-76520	REEL	1	1	1					
14	3	114660-76531	CASE, STARTER	1	1	1					
15	3	114870-76530	RATCHET	2	2	2					
16	3	114870-76540	SPRING, SPIRAL	1	1	1					
17	3	114880-76550	GUIDE, RATCHET	1	1	1					
18	3	114870-76560	SPRING, FRICTION	1	1	1					
19	3	114870-76570	SPRING, RETURN	2	2	2					
20	3	114870-76580	SCREW	1	1	1					
22	3	114870-76620	KNOB, STARTER	1	1	1					
23	3	114650-76631	ROPE, STARTER	1	1	1					
24	2	114660-76592	PULLEY, STARTER	1	1	1					
25	1	26106-060082	BOLT, M6X 8 PLATED	4	4	4					
26	1	26106-060122	BOLT, M6X 12 PLATED	3	3	3					
27	1	160802-78260	CLAMP, CORD	1	1	1					

Fig.7. FUEL INJECTION PUMP

7. FUEL INJECTION PUMP

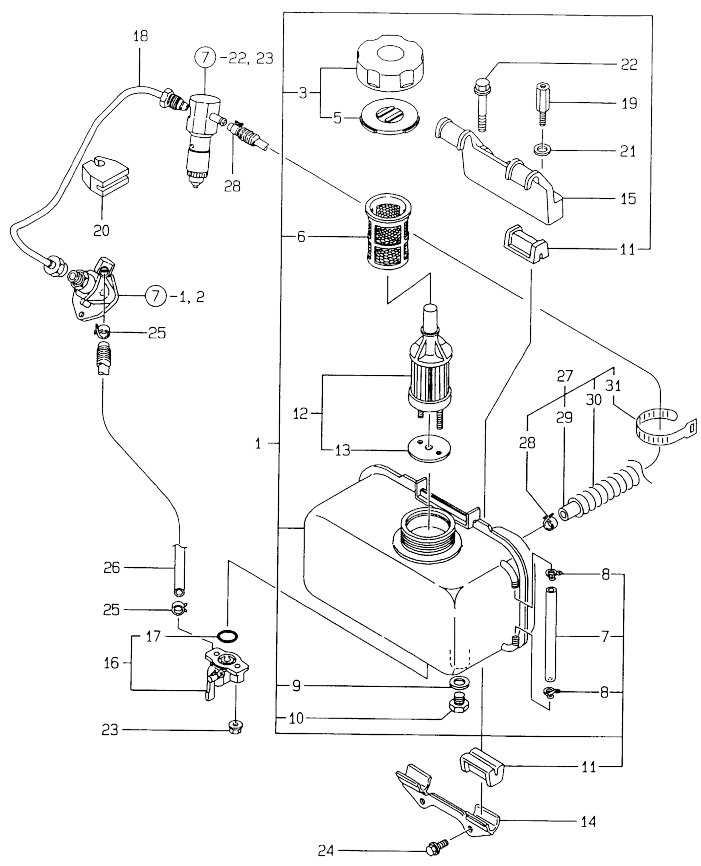


(A)=L100EEDEVK1  
(B)=L100EEDEVK2  
(C)=L100EEDEVK3  
(D)=  
(E)=  
(F)=

No.	Lev.	Parts No.	Description	Qty						I	R	
				(A)	(B)	(C)	(D)	(E)	(F)			
1	1	714656-51130	PUMP ASSY, INJECTION	1								
2	1	714656-51110	PUMP ASSY, INJECTION		1							
3	2	105546-51020	GASKET	1	1	1						
4	2	114250-51080	PLATE	1	1	1						
5	2	114970-51100	BODY ASSY, PUMP	1	1	1						
10	2	114250-51160	SPRING, PLUNGER	1	1	1						
11	2	114650-51300	VALVE ASSY, DELIVERY	1	1	1						
14	2	105546-51330	SPRING, DELIVERY	1	1	1						
15	2	114250-51340	HOLDER, DELIVERY	1	1	1						
16	2	124550-51350	GASKET, DELIVERY	2	2	2						
17	2	114250-51600	LEVER ASSY, CONTROL	1	1	1						
18	2	114250-51640	SEAT, SPRING A	1	1	1						
19	2	114250-51650	SEAT, SPRING B	1	1	1						
20	2	22351-020006	PIN, SPRING 2.0X 6	2	2	2						
21	2	22351-030008	PIN, SPRING 3.0X 8	1	1	1						
22	1	714656-53101	VALVE ASSY, INJECTION	1								
23	1	714875-53101	VALVE ASSY, INJECTION		1							
24	2	114651-53000	VALVE ASSY, INJECTION	1								
25	2	114871-53000	VALVE ASSY, INJECTION		1							
26	2	119593-53080	NUT, NOZZLE	1	1	1						
27	2	114250-53120	SPRING, NOZZLE	1	1	1						
28	2	119593-53130	SEAT, SPRING	1	1	1						
29	2	114775-53140	SPACER, VALVE STOP	1	1	1						
30	2	114775-53210	PIN	2	2	2						
31	2	114875-53100	HOLDER ASSY, NOZZLE	1	1	1						
34	3	114250-53331	PIN	1	1	1						
35	2	114250-53400	SHIM SET	1	1	1						

Fig.8. FUEL TANK & FUEL PIPE

8. FUEL TANK & FUEL LINE



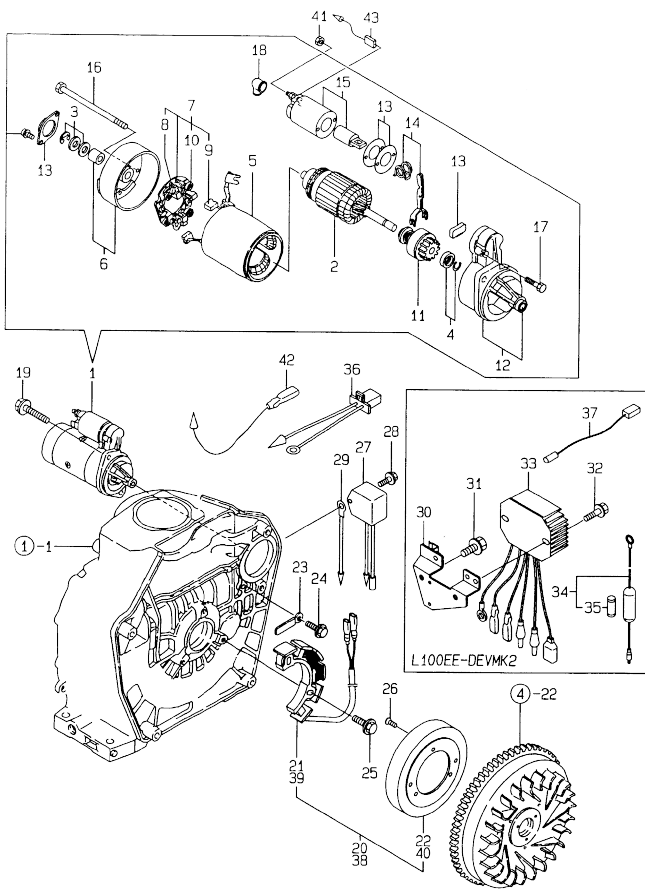
(A)=L100EEDEVK1  
(B)=L100EEDEVK2  
(C)=L100EEDEVK3  
(D)=  
(E)=  
(F)=

No.	Lev.	Parts No.	Description	Qty						I	R	
				(A)	(B)	(C)	(D)	(E)	(F)			
1	1	714650-55130	TANK ASSY, FUEL	1	1	1						
3	2	114288-55041	CAP ASSY	1	1	1						
5	3	114288-55081	VALVE	1	1	1						
6	2	114250-55100	FILTER, FUEL	1	1	1						
7	2	114650-55150	GAUGE, LEVEL	1	1	1						
8	2	103854-55220	RETAINER	2	2	2						
9	2	23414-080000	GASKET, 8X1.0	1	1	1						
10	2	105300-55080	PLUG, 8	1	1	1						
11	2	114250-55201	DAMPER, FUEL TANK	4	4	4						
12	1	114250-55121	FILTER ASSY, FUEL	1	1	1						
13	2	114250-55130	GASKET	1	1	1						
14	1	114299-55210	STAY, FUEL TANK	1	1	1						
15	1	114699-55230	STAY, FUEL TANK	1	1	1						
16	1	114250-55300	COCK ASSY, FUEL	1	1	1						
17	2	24341-000150	O-RING, 1AS15.0	1	1	1						
18	1	114651-59802	PIPE ASSY, INJECTION	1	1	1						
19	1	114650-55810	BOLT	1	1	1						
20	1	114650-59850	SUPPORT	1	1	1						
21	1	22117-080000	WASHER, 8	1	1	1						
22	1	26106-080452	BOLT, M8X 45 PLATED	1	1	1						
23	1	26366-060002	NUT, M6	2	2	2						
24	1	26476-060142	SCREW, TAPPING M6X14	2	2	2						
25	1	106990-44660	CLIP, HOSE 12.5	2	2	2						
26	1	114268-59061	PIPE, FUEL L=50	1	1	1						
27	1	114652-59300	PIPE, FUEL RETURN	1	1	1						
28	2	124722-59050	CLIP, HOSE 9	2	2	2						
29	2	114650-59060	PIPE, FUEL RETURN	1	1	1						
30	2	114652-59310	TUBE, PROTECT	1	1	1						
31	2	121750-59890	BAND, 140	1	1	1						

N:Old  $\frac{100}{100}$  New, Q:Old  $\frac{100}{100}$  New, R:Old  $\frac{100}{100}$  New, S:Old  $\frac{100}{100}$  New, W:Add, Z:Discontinued, F:Interchangeable by set, K:Qty Change  
Copyright (C) YANMAR CO., LTD. All Rights Reserved.

Fig.9. STARTING MOTOR & DYNAMO

9. STARTING MOTOR & DYNAMO

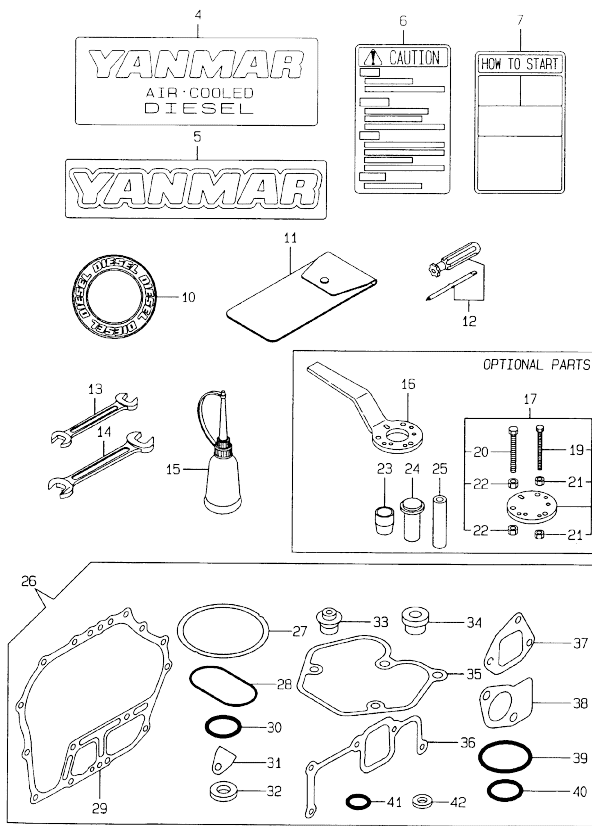


(A)=L100EEDEVMK1  
(B)=L100EEDEVMK2  
(C)=L100EEDEVMK3  
(D)=  
(E)=  
(F)=

No.	Lev.	Parts No.	Description	Q'ty						I	R
				(A)	(B)	(C)	(D)	(E)	(F)		
1	1	114362-77011	STARTER(S114-651A)	1	1	1					
2	2	114381-77110	ARMATURE	1	1	1					
3	2	X2114811000	WASHER KIT, THRUST	1	1	1					
4	2	X2114715500	STOPPER SET, PINION	1	1	1					
5	2	114381-77130	COIL ASSY, FIELD	1	1	1					
6	2	114381-77140	COVER, REAR	1	1	1					
7	2	114371-77160	HOLDER ASSY, BRUSH	1	1	1					
8	3	114371-79040	BRUSH (-)	2	2	2					
9	3	114371-79050	BRUSH (+)	1	1	1					
10	3	114371-79060	SPRING, BRUSH	4	4	4					
11	2	X211485016	PINION ASSY	1	1	1					
12	2	114381-77151	HOUSING ASSY, GEAR	1	1	1					
13	2	114371-77170	COVER KIT, DUST	1	1	1					
14	2	114371-77180	LEVER KIT, SHIFT	1	1	1					
15	2	124298-77020	SWITCH, MAGNETIC	1	1	1					
16	2	124195-77770	BOLT, THROUGH	2	2	2					
17	2	114371-79070	BOLT M 6X 37	2	2	2					
18	2	X2114274200	COVER, TERMINAL	1	1	1					
19	1	26106-100302	BOLT, M10X 30 PLATED	2	2	2					
20	1	114351-78251	DYNAMO ASSY	1	1	1					
21	2	114351-78751	STATOR ASSY	1	1	1					
22	2	114351-78761	WHEEL, DYNAMO	1	1	1					
23	1	160710-78710	CLAMP, CORD	1	1	1					
24	1	26106-060122	BOLT, M6X 12 PLATED	1	1	1					
25	1	26106-060202	BOLT, M6X 20 PLATED	3	3	3					
26	1	26577-060142	SCREW M 6X 14	3	3	3					
27	1	160970-77350	RECTIFIER, ZR2117	1	1	1					
28	1	26106-060122	BOLT, M6X 12 PLATED	1	1	1					
29	1	183350-77400	WIRE, LEAD	1	1	1					
30	1	114385-77400	BRACKET			1					
31	1	26106-060122	BOLT, M6X 12 PLATED			2					
32	1	26106-060202	BOLT, M6X 20 PLATED			2					
33	1	114351-77210	REGULATOR			1					
34	1	114351-77640	FUSE ASSY			1					
35	2	29411-200000	FUSE, CARTRIDGE 20A			1					
36	1	105198-78570	HARNESS, WIRE			1					
37	1	114985-78560	HARNESS, WIRE			1					
38	1	114351-78261	DYNAMO ASSY			1					
39	2	114351-78771	STATOR ASSY			1					
40	2	114351-78781	WHEEL, DYNAMO			1					
41	1	26716-080002	NUT, M8			1					
42	1	160671-78200	WIRE, LEAD			1					
43	1	114685-78560	HARNESS, WIRE			1					

Fig.10. TOOL,LABEL & GASKET SET

10.TOOL, LABEL & GASKET SET



No.	Lev.	Parts No.	Description	Qty						I	R
				(A)	(B)	(C)	(D)	(E)	(F)		
4	1	114250-07090	LABEL, AIR COOLED	1	1	1					
5	1	114250-07111	LABEL, YANMAR	1	1	1					
6	1	114268-07240	LABEL, CAUTION	1	1	1					
7	1	114268-07350	LABEL, HOW TO START	1	1	1					
10	1	114261-07350	LABEL	1	1	1					
11	1	114250-92600	BAG, TOOL	1	1	1					
12	1	160330-92730	DRIVE, SCREW	1	1	1					
13	1	28110-100120	SPANNER, 10X12	1	1	1					
14	1	28110-140170	SPANNER, 14X17	1	1	1					
15	1	28210-000150	OILER	1	1	1					
16	1	114250-92101	F.W. LOCKING HANDLE	1	1	1					1
17	1	114250-92130	REMOVER, FLYWHEEL	1	1	1					1
19	2	26116-060454	BOLT M 6X 45 PLATED	4	4	4					1
20	2	26116-080454	BOLT, M8X 45 PLATED	3	3	3					1
21	2	26716-060002	NUT, M6	8	8	8					1
22	2	26716-080002	NUT, M8	6	6	6					1
23	1	114668-92300	GUIDE, OIL SEAL	1	1	1					1
24	1	114650-92310	INSTALLING TOOL	1	1	1					1
25	1	114650-92350	INSTALLING TOOL	1	1	1					1
26	1	714651-92620	GASKET SET	1	1	1					1
27	2	114651-01330	GASKET SET, HEAD	1	1	1					
28	2	114650-01380	O-RING	1	1	1					
29	2	114650-01412	GASKET, CRANK CASE	1	1	1					
30	2	114299-01950	O-RING, 18	1	1	1					
31	2	114250-01841	GASKET	1	1	1					
32	2	22190-160002	WASHER, SEAL 16	4	4	4					
33	2	114650-11340	SEAL, VALVE STEM	2	2	2					
34	2	114771-11461	GASKET, NOZZLE	1	1	1					
35	2	114651-11310	GASKET, BONNET	1	1	1					
36	2	114650-12301	GASKET	1	1	1					
37	2	114650-12211	GASKET, AIR CLEANER	1	1	1					
38	2	114650-13201	GASKET (NON-ASB.)	2	2	2					
39	2	103338-32570	O-RING	1	1	1					
40	2	24341-000224	O-RING, 1AS22.4	1	1	1					
41	2	24311-000125	O-RING, 1AP12.5	1	1	1					
42	2	23414-080000	GASKET, 8X1.0	1	1	1					

Remarks  
(1) OPTIONAL PART.

## Parts No. Index

Parts No.	Fig. No.	Ref. No.
103338-32570	5	7
	10	39
103854-55220	8	8
104211-11370	2	22
105025-01220	1	8
105098-13990	3	40
		42
105198-13621	3	37
105198-78570	9	36
105225-66990	5	61
105300-23200	4	41
105300-55080	8	10
105425-01690	1	38
105546-51020	7	3
105546-51330	7	14
106990-44660	8	25
114250-01800	1	19
114250-01830	1	45
114250-01841	1	46
	10	31
114250-03591	2	36
114250-03640	2	39
114250-07090	10	4
114250-07111	10	5
114250-11240	2	14
		18
114250-11901	2	28
114250-12300	3	11
114250-32070	5	6
114250-35070	5	11
114250-35110	5	10
114250-35150	1	36
114250-45301	6	7
114250-45310	6	8
114250-51080	7	4
114250-51160	7	10
114250-51340	7	15
114250-51600	7	17
114250-51640	7	18
114250-51650	7	19
114250-53120	7	27
114250-53331	7	34
114250-53400	7	35
114250-55100	8	6
114250-55121	8	12
114250-55130	8	13
114250-55201	8	11
114250-55300	8	16
114250-66200	5	33
114250-66440	5	60

Parts No.	Fig. No.	Ref. No.
114250-66550	5	42
114250-92101	10	16
114250-92130	10	17
114250-92600	10	11
114252-12550	3	10
114252-12560	3	6
114252-66051	5	56
114252-66252	5	59
114261-07350	10	10
114268-07240	10	6
114268-07350	10	7
114268-59061	8	26
114270-01600	1	26
114288-55041	8	3
114288-55081	8	5
114299-01950	1	41
	10	30
114299-02030	1	43
114299-55210	8	14
114350-01700	1	6
114350-45320	6	2
114350-45340	6	3
114351-77210	9	33
114351-77640	9	34
114351-78251	9	20
114351-78261	9	38
114351-78751	9	21
114351-78761	9	22
114351-78771	9	39
114351-78781	9	40
114352-39400	1	61
114362-77011	9	1
114370-45351	6	10
114371-77160	9	7
114371-77170	9	13
114371-77180	9	14
114371-79040	9	8
114371-79050	9	9
114371-79060	9	10
114371-79070	9	17
114381-77110	9	2
114381-77130	9	5
114381-77140	9	6
114381-77151	9	12
114385-77400	9	30
114650-01230	1	9
114650-01240	1	10
114650-01250	1	11
114650-01260	1	12
114650-01380	1	25

Parts No.	Fig. No.	Ref. No.
114650-01380	10	28
114650-01412	1	30
	10	29
114650-02100	1	34
114650-02150	1	44
114650-02200	1	51
114650-02210	1	52
114650-11121	2	8
114650-11340	2	21
	10	33
114650-11600	2	25
114650-12211	3	1
	10	37
114650-12301	3	13
	10	36
114650-12520	3	4
114650-12530	3	5
114650-12590	3	7
114650-13201	3	17
	10	38
114650-14200	4	6
114650-14401	4	8
114650-21551	4	21
114650-32010	5	1
114650-45201	6	1
114650-45330	6	9
114650-51300	7	11
114650-55150	8	7
114650-55810	8	19
114650-59060	8	29
114650-59850	8	20
114650-66750	5	34
114650-76631	6	23
114650-92310	10	24
114650-92350	10	25
114651-01330	1	13
	10	27
114651-11020	2	1
114651-11100	2	6
114651-11110	2	7
114651-11250	2	10
114651-11260	2	11
114651-11310	2	33
	10	35
114651-11650	2	12
114651-11660	2	16
114651-11950	2	34
114651-53000	7	24
114651-59802	8	18
114651-66150	5	65

Parts No.	Fig. No.	Ref. No.
114652-59300	8	27
114652-59310	8	30
114660-01471	1	31
114660-76052	6	11
114660-76251	6	12
114660-76531	6	14
114660-76592	6	24
114662-21593	4	22
114662-21601	4	25
114668-45102	6	6
114668-92300	10	23
114674-13511	3	19
114674-13551	3	18
114685-78560	9	43
114699-01760	1	39
114699-12020	3	12
114699-22300	4	35
114699-55230	8	15
114770-61190	5	31
114770-61520	5	27
114770-61600	5	28
114770-61610	5	29
114771-11461	2	23
	10	34
114771-11470	2	24
114771-14260	4	7
114771-61800	5	66
114771-61820	5	67
114771-61900	5	68
114771-61930	5	69
114775-53140	7	29
114775-53210	7	30
114870-76530	6	15
114870-76540	6	16
114870-76560	6	18
114870-76570	6	19
114870-76580	6	20
114870-76620	6	22
114871-53000	7	25
114875-53100	7	31
114880-76520	6	13
114880-76550	6	17
114970-13551	3	24
114970-13561	3	26
114970-13700	3	27
114970-13710	3	21
		28
114970-51100	7	5
114970-66010	5	32
114973-13710	3	22

## Parts No. Index

Parts No.	Fig. No.	Ref. No.
114984-01940	1	54
114985-08350	1	60
114985-13701	3	41
114985-13800	3	33
114985-78560	9	37
119593-53080	7	26
119593-53130	7	28
119620-11180	2	9
121252-39450	1	59
121750-59890	8	31
122710-01220	4	20
124060-23100	4	40
124195-77770	9	16
124298-77020	9	15
124550-51350	7	16
124722-59050	8	28
129792-22400	4	36
135210-61090	5	40
160110-01870	1	58
160260-01580	3	23
		25
160310-14550	4	50
160330-92730	10	12
160671-78200	9	42
160710-78710	9	23
160802-78260	6	27
160970-77350	9	27
183279-08350	1	56
183350-77400	9	29
183360-66110	5	58
183382-13700	3	20
183720-55210	6	4
22117-080000	8	21
22137-080000	5	30
22190-160002	1	42
		57
		62
	10	32
22242-000150	2	20
22312-030160	2	41
	5	8
22312-040080	1	53
22322-030200	5	19
		20
		55
22351-020006	7	20
22351-030008	7	21
22351-040008	2	29
22451-060000	5	41
22512-050140	4	26

Parts No.	Fig. No.	Ref. No.
22512-070360	4	51
23000-019000	1	55
23414-080000	8	9
	10	42
24101-062034	4	49
24101-063034	4	57
24162-152112	1	47
24311-000125	5	70
	10	41
24341-000150	8	17
24341-000224	5	12
	10	40
24423-355008	1	48
		49
26106-060082	6	25
26106-060122	6	26
	9	24
		28
		31
26106-060162	5	13
26106-060202	5	62
	6	5
	9	25
		32
26106-060252	3	14
26106-060702	2	27
26106-080122	1	50
26106-080162	3	29
26106-080182	3	30
26106-080202	4	52
26106-080352	1	37
26106-080452	8	22
26106-080552	2	30
26106-100122	1	7
26106-100302	9	19
26113-060082	3	43
26116-060454	10	19
26116-080454	10	20
26216-080182	3	31
26226-060142	3	15
26226-060182	1	27
26226-060222	1	28
26226-060552	2	31
26226-060752	3	16
26366-060002	1	29
	2	32
	8	23
26366-080002	3	32
26367-060002	3	35
26476-060142	5	9

Parts No.	Fig. No.	Ref. No.
26476-060142	5	63
	8	24
26554-060162	3	36
26577-060142	9	26
26716-060002	10	21
26716-080002	9	41
	10	22
26757-060002	5	64
26776-100002	5	39
26856-060002	2	15
		19
27310-070001	2	26
28110-100120	10	13
28110-140170	10	14
28210-000150	10	15
29411-200000	9	35
714650-12560	3	2
714650-23100	4	37
714650-23600	4	42
714650-23610	4	53
714650-23620	4	55
714650-55130	8	1
714650-61500	5	14
714651-92620	10	26
714652-22720	4	27
714654-21730	4	12
714656-51110	7	2
714656-51130	7	1
714656-53101	7	22
714660-14100	4	1
714685-61500	5	47
714685-61700	5	21
714875-53101	7	23
714970-01560	1	1
714970-22500	4	29
714970-28100	4	44
X2114274200	9	18
X2114715500	9	4
X2114811000	9	3
X211485016	9	11

Parts No.	Fig. No.	Ref. No.
-----------	----------	----------