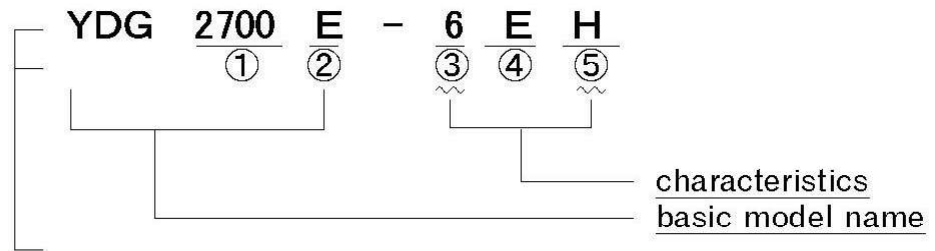


0CS10-M36101EN

# INTRODUCTION

1.This Parts Catalog contains all models of European specification of open frame type air cooling diesel generator **YDG** Series.

2. The model name and main specifications of **YDG** Series are as follow:



①	②	
Rated output at 60Hz(W)	E Single-phase, open frame type	
③	④	⑤
6 60Hz	E Electric starting	H 120V I 120/240V

3. Model Indication in Parts Catalog

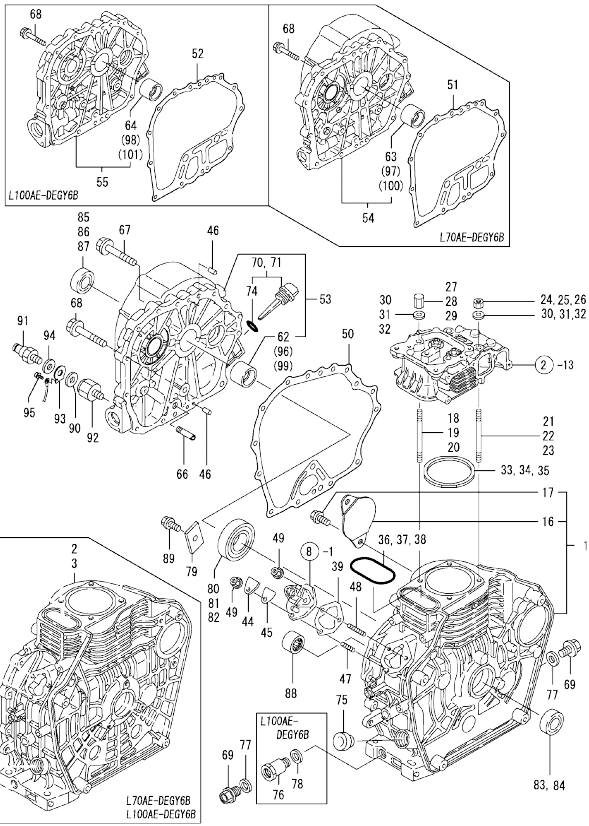
Model	Column	Engine
YDG2700E-6EH	A	L48AE-DEGY6B
YDG3700E-6EI	B	L70AE-DEGY6B
YDG5500E-6EI	C	L100AE-DEGY6B
YDG2700EE-6EH	D	L48EE-DEGY6
YDG3700EE-6EI	E	L70EE-DEGY6
YDG5500EE-6EI	F	L100EE-DEGY6

## Contents

Fig. No.	Fig. Name	Fig. No.	Fig. Name
ENGINE SECTION(L48,70,100AE)		20.	CYLINDER HEAD & BONNET
1.	CYLINDER BLOCK	21.	AIR CLEANER
2.	CYLINDER HEAD & BONNET	22.	MUFFLER
3.	AIR CLEANER	23.	CRANKSHAFT,PISTON & CAMSHAFT
4.	MUFFLER	24.	LUB.OIL PUMP & GOVERNOR
5.	CRANKSHAFT,PISTON & CAMSHAFT	25.	COOLING & STARTING DEVICE
6.	LUB.OIL PUMP & GOVERNOR	26.	FUEL INJECTION PUMP
7.	COOLING & STARTING DEVICE	27.	STARTING MOTOR & DYNAMO
8.	FUEL INJECTION PUMP		
GENERATOR SECTION			
9.	FUEL TANK & FUEL LINE		
10.	STARTING MOTOR & DYNAMO		
11.	TOOL & LABEL		
12.	FRAME & BATTERY		
13.	GENERATOR (YDG2700E(E)-6EH)		
14.	GENERATOR (YDG3700E(E)-6EI)		
15.	GENERATOR (YDG5500E(E)-6EI)		
28.	(15A)RECTIFIER & HARNESS(SPARE PARTS)		
16.	PANEL (YDG2700E(E)-6EH)		
17.	PANEL (YDG3700E(E)-6EI)		
18.	PANEL (YDG5500E(E)-6EI)		
ENGINE SECTION			
19.	CYLINDER BLOCK		

OCS10-M36101

Fig.1. CYLINDER BLOCK



Remarks  
 (1) REPAIR PART.  
 (2) UNDER-SIZE(U.S=0.25)PART.  
 (3) UNDER-SIZE(U.S=0.50)PART.  
 (4) REF.NO.2-1 & FIG.6 REF.NO.23-1  
 INTERCHANGEABLE BY SET.

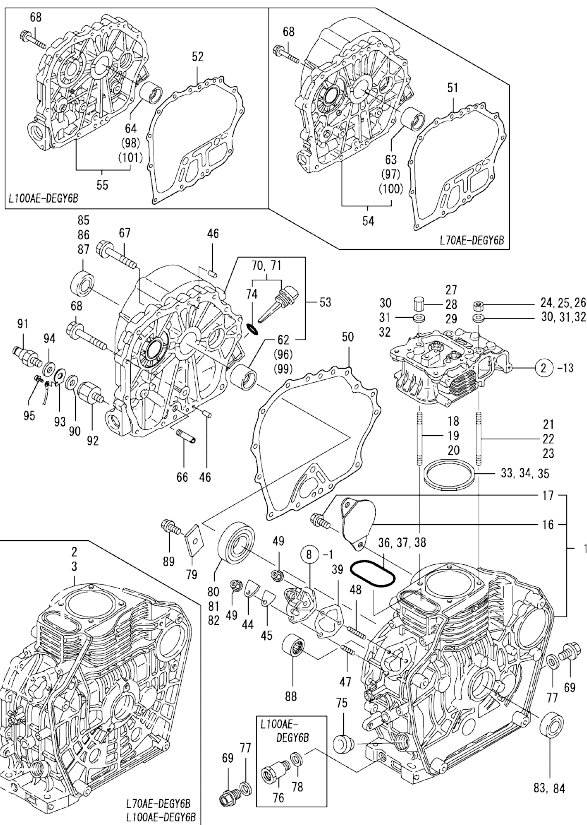
No.	Lev.	Parts No.	Description	Q'ty						I	R
				(A)	(B)	(C)	(D)	(E)	(F)		
1	1	714771-01560	BLOCK ASSY, CYLINDER	1							
1-1	1	714771-01561 (A=E43886)	BLOCK ASSY, CYLINDER	1							N
2	1	714871-01560	BLOCK ASSY, CYLINDER		1						
2-1	1	714871-01561 (B=E50569)	BLOCK ASSY, CYLINDER		1						F 4
2-2	1	714888-01560 (B=E53253)	BLOCK ASSY, CYLINDER		1						N
3	1	714970-01560	BLOCK ASSY, CYLINDER				1				
3-1	1	714970-01561 (C=E74994)	BLOCK ASSY, CYLINDER				1				N
3-2	1	714970-01562 (C=E77718)	BLOCK ASSY, CYLINDER				1				N
16	2	114350-01700	COVER	1	1	1					
17	2	26106-100122	BOLT, M10X 12 PLATED	2	2	2					
18	1	114250-01200	BOLT, HEAD	2							
19	1	114350-01200	BOLT, HEAD		2						
20	1	114650-01230	BOLT, HEAD			2					
21	1	114250-01210	BOLT, HEAD	2							
22	1	114350-01210	BOLT, HEAD		2						
23	1	114650-01240	BOLT, HEAD			2					
24	1	114250-01220	NUT, CYLINDER HEAD	2							
24-1	1	114250-01221 (A=E19997)	NUT, CYLINDER HEAD	2							N
25	1	114350-01220	NUT, CYLINDER HEAD		2						
26	1	105025-01220	NUT, CYLINDER HEAD			2					
27	1	114250-01250	NUT, CAP	2							
27-1	1	114250-01251 (A=E19997)	NUT, CAP	2							N
28	1	114350-01250	NUT, CYLINDER HEAD	2							
29	1	114650-01250	NUT, CYLINDER HEAD		2						
30	1	124950-01250	WASHER	4							
31	1	105225-01240	WASHER		4						
32	1	114650-01260	WASHER			4					
33	1	114770-01340	GASKET, HEAD	1							
34	1	114870-01340	GASKET, HEAD		1						
35	1	114970-01340	GASKET, HEAD			1					
36	1	114250-01380	O-RING	1							
37	1	114350-01380	O-RING		1						
38	1	114650-01380	O-RING			1					
39	1	114250-01800	SHIM SET	1	1	1					
44	1	114250-01830	COVER	1	1	1					
45	1	114250-01841	GASKET	1	1	1					
46	1	114270-01600	PIN, M8X12	2	2	2					
47	1	26226-060182	STUD, M6X 18	1	1	1					
48	1	26226-060222	STUD, M6X 22	2	2	2					
49	1	26366-060002	NUT, M6	3	3	3					
50	1	114250-01412	GASKET, CRANK CASE	1							
51	1	114350-01412	GASKET, CRANK CASE		1						
52	1	114650-01412	GASKET			1					
53	1	183250-01451	COVER, CRANK CASE	1							

N:Old  $\frac{100}{100}$  New, Q:Old  $\frac{100}{100}$  New, R:Old  $\frac{100}{100}$  New, S:Old  $\frac{100}{100}$  New, W:Add, Z:Discontinued, F:Interchangeable by set, K:Q'ty Change  
 ++ CONTINUE ++  
 Copyright (C) YANMAR CO., LTD. All Rights Reserved.



OCS10-M36101

Fig.1. CYLINDER BLOCK



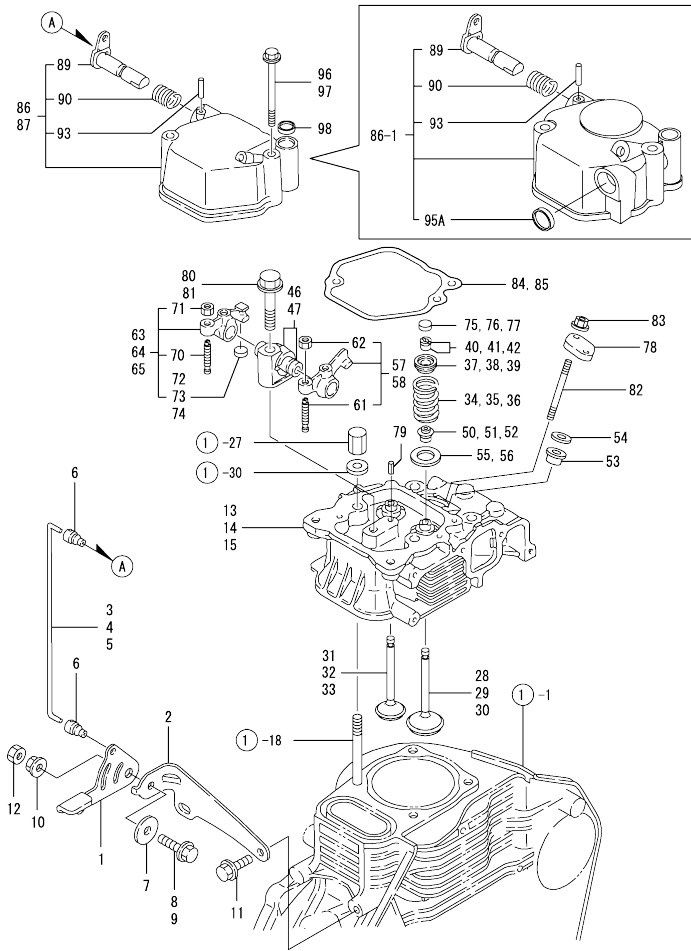
No.	Lev.	Parts No.	Description	Qty						I	R
				(A)	(B)	(C)	(D)	(E)	(F)		
54	1	183350-01451	COVER, CRANK CASE								
55	1	114660-01471	COVER, CRANK CASE								
62	2	114250-02100	BEARING, MAIN	1							1
63	2	114350-02100	BEARING, MAIN		1						1
64	2	114650-02100	BEARING, MAIN				1				1
66	1	114250-35150	PIPE, OIL INLET	1	1						
67	1	26106-060252	BOLT, M6X 25 PLATED	14							
68	1	26106-080352	BOLT, M8X 35 PLATED	1	15		16				
69	1	105425-01690	PLUG, 16	2	2		2				
70	1	160710-01760	CAP ASSY, L82	1							
70-1	1	114299-01760	CAP ASSY	1							R
(A)=EXXX											
71	1	160910-01740	CAP ASSY		1	1					
71-1	1	114699-01760	CAP ASSY		1	1					R
(B)=EXXX (C)=EXXX											
74	2	24311-000180	O-RING, 1AP18.0	1	1	1					
74-1	2	114299-01950	O-RING, 18	1	1	1					R
(A)=EXXX (B)=EXXX (C)=EXXX											
75	1	160110-01870	PLUG, RUBBER	1	1	1					
76	1	183279-08350	NIPPLE, DRAIN				1				
77	1	22190-160002	WASHER, SEAL 16	2	2	2					
78	1	22190-160002	WASHER, SEAL 16				2				
79	1	114250-02030	RETAINER, BEARING	1	1	1					
79-1	1	114299-02030	RETAINER, BEARING	1	1	1					R
(A)=EXXX (B)=EXXX (C)=EXXX											
80	1	114250-02113	BEARING, HR6306G3C3	1							
81	1	114350-02113	BEARING, B35-135G3C3		1						
82	1	114650-02150	BEARING, HR6308G3C3				1				
83	1	160110-02220	SEAL, OIL	1	1						
84	1	24423-355008	SEAL, OIL TC355008				1				
85	1	160210-02220	SEAL, 25X41.2X8	1							
86	1	160110-02220	SEAL, OIL				1				
87	1	24423-355008	SEAL, OIL TC355008				1				
88	1	24162-152112	BEARING, 152112	1	1	1					
89	1	26106-080122	BOLT, M8X 12 PLATED	1	1	1					
90	1	183366-08290	WASHER	1	1	1					
91	1	183250-39450	SWITCH, 1.0KG	1	1	1					
92	1	183366-39460	JOINT	1	1	1					
93	1	171022-39470	TERMINAL, EARTH	1	1	1					
94	1	22117-100000	WASHER, 10	1	1	1					
95	1	26557-040082	SCREW, M4X 8	1	1	1					
96	1	114250-02200	BEARING, 0.25 US	1							2
97	1	114350-02200	BEARING, 0.25 US		1						2
98	1	114650-02200	BEARING, 0.25 US				1				2
99	1	114250-02210	BEARING, 0.50 US	1							3
100	1	114350-02210	BEARING, 0.50 US				1				3
101	1	114650-02210	BEARING, 0.50 US				1				3

Remarks

- (1) REPAIR PART.
- (2) UNDER-SIZE(U.S=0.25)PART.
- (3) UNDER-SIZE(U.S=0.50)PART.
- (4) REF.NO.2-1 & FIG.6 REF.NO.23-1 INTERCHANGEABLE BY SET.

N:Old  $\frac{100}{100}$  New, Q:Old  $\frac{100}{100}$  New, R:Old  $\frac{100}{100}$  New, S:Old  $\frac{100}{100}$  New, W:Add, Z:Discontinued, F:Interchangeable by set, K:Qty Change  
 Copyright (C) YANMAR CO., LTD. All Rights Reserved.

Fig.2. CYLINDER HEAD & BONNET

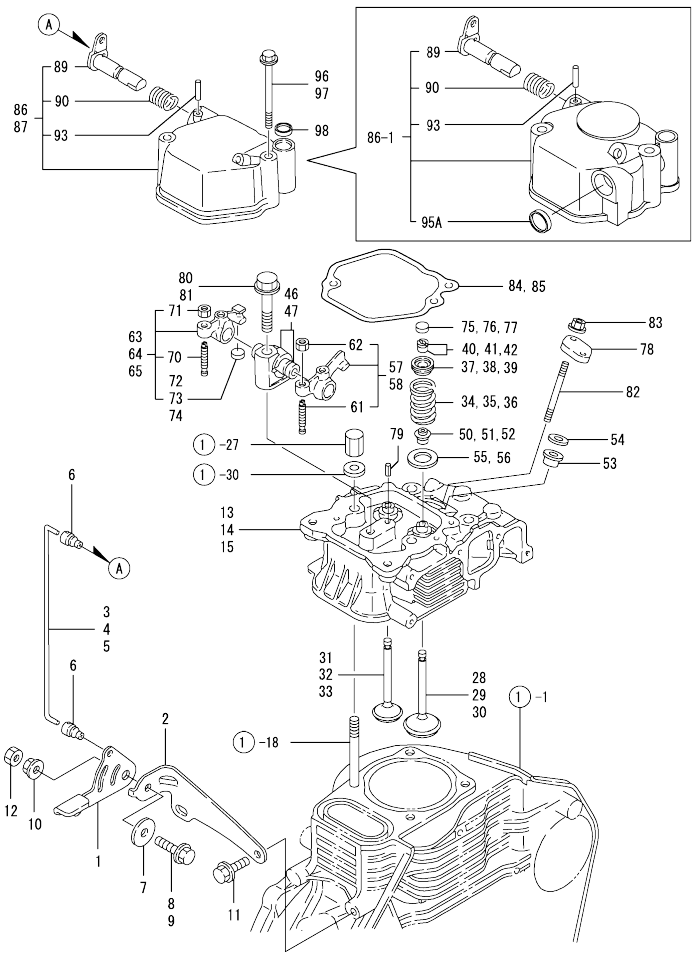


No.	Lev.	Parts No.	Description	Qty						I	R
				(A)	(B)	(C)	(D)	(E)	(F)		
1	1	183250-03410	LEVER, DECOMPRESSION	1	1	1					
2	1	183250-03450	BRACKET, LEVER	1	1	1					
3	1	183250-03510	LINK	1							
4	1	183350-03510	LINK		1						
5	1	183650-03510	LINK			1					
6	1	183250-03550	JOINT	2	2	2					
7	1	160670-66350	COLLAR	1	1	1					
8	1	26106-060202	BOLT, M6X 20 PLATED	1	1						
9	1	26106-060122	BOLT, M6X 12 PLATED								
10	1	26366-060002	NUT, M6	1	1	1					
11	1	26476-060142	SCREW, TAPPING M6X14	2	2	2					
12	1	26756-060002	NUT, LOCK M6	1	1	1					
13	1	114250-11020	HEAD ASSY, CYLINDER	1							
13-1	1	114770-11020	HEAD ASSY, CYLINDER	1							N
(A=E18260)											
14	1	114870-11021	HEAD ASSY, CYLINDER		1						
15	1	114650-11010	HEAD ASSY, CYLINDER			1					
15-1	1	114650-11011	HEAD ASSY, CYLINDER			1					R
(C=E68596)											
28	1	114250-11101	VALVE, INTAKE		1						
29	1	114350-11101	VALVE, INTAKE			1					
30	1	114650-11100	VALVE, INTAKE				1				
31	1	114250-11113	VALVE, EXHAUST		1						
32	1	114350-11113	VALVE, EXHAUST			1					
33	1	114654-11110	VALVE, EXHAUST				1				
34	1	114250-11120	SPRING, VALVE		2						
35	1	114350-11120	SPRING, VALVE			2					
36	1	114650-11121	SPRING, VALVE				2				
37	1	114250-11180	RETAINER, SPRING		2						
38	1	101158-11180	RETAINER, SPRING				2				
39	1	119620-11180	RETAINER, SPRING					2			
40	1	27310-055001	COTTER, 5.5		2						
41	1	27310-060001	COTTER, 6			2					
42	1	27310-070001	COTTER, 7					2			
46	1	114250-11290	SUPPORT, ROCKER ARM		1	1					
47	1	114650-11261	SUPPORT, ROCKER ARM					1			
50	1	114250-11340	SEAL, VALVE STEM		2						
51	1	114350-11340	SEAL, VALVE STEM			2					
52	1	114650-11340	SEAL, VALVE STEM				2				
53	1	114250-11460	GASKET, NOZZLE		1	1	1				
54	1	114350-11470	SPACER, NOZZLE		1	1	1				
55	1	114250-11600	WASHER		2	2					
56	1	114650-11600	WASHER					2			
57	1	114250-11651	ARM, ROCKER		1	1					
58	1	114650-11652	ARM, ROCKER								1
61	2	114250-11240	SCREW, VALVE ADJUST		1	1	1				
62	2	26756-060002	NUT, LOCK M6		1	1	1				
62-1	2	26856-060002	NUT, M6		1	1	1				R
(A=E31261) (B=E32269) (C=E54826)											
63	1	714270-11660	ARM ASSY, ROCKER		1						
64	1	714370-11660	ARM ASSY, ROCKER			1					

N:Old  $\frac{New}{Old}$  New, Q:Old  $\frac{New}{Old}$  New, R:Old  $\frac{New}{Old}$  New, S:Old  $\frac{New}{Old}$  New, W:Add, Z:Discontinued, F:Interchangeable by set, K:Qty Change  
 ++ CONTINUE ++  
 Copyright (C) YANMAR CO., LTD. All Rights Reserved.

OCS10-M36101

Fig.2. CYLINDER HEAD & BONNET

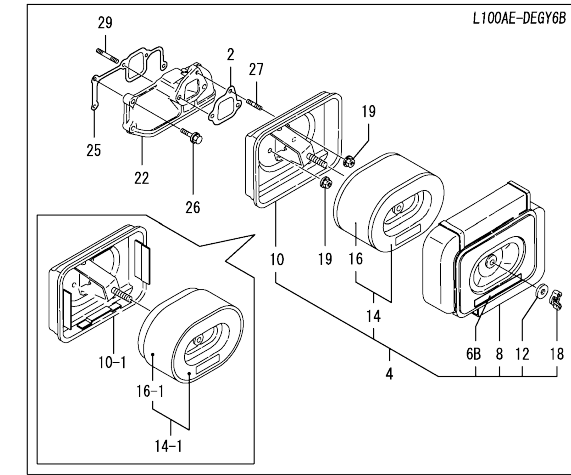
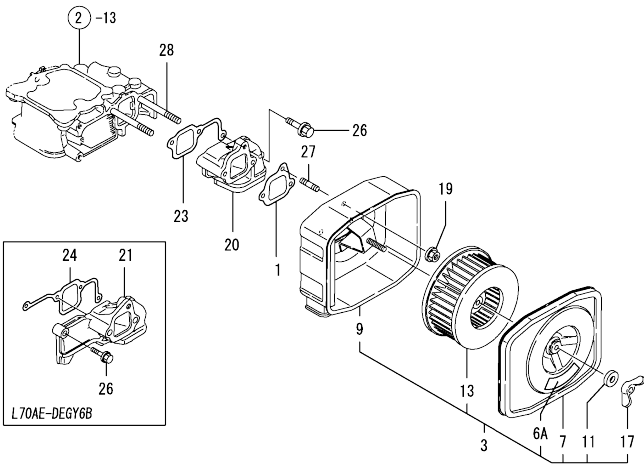


No.	Lev.	Parts No.	Description	Qty						I	R		
				(A)	(B)	(C)	(D)	(E)	(F)				
65	1	714670-11660	ARM ASSY, ROCKER										
70	2	114250-11240	SCREW, VALVE ADJUST	1	1	1							
71	2	26756-060002	NUT, LOCK M6	1	1	1							
71-1	2	26856-060002	NUT, M6	1	1	1						R	
		(A=E31261) (B=E32269) (C=E54826)											
72	2	119260-11370	CAP, VALVE	1									
73	2	105010-11490	CAP, VALVE			1							
74	2	104211-11370	CAP, VALVE				1						
75	1	119260-11370	CAP, VALVE	1									
76	1	105010-11490	CAP, VALVE			1							
77	1	104211-11370	CAP, VALVE				1						
78	1	114250-11900	RETAINER, NOZZLE	1	1	1							
78-1	1	114250-11901	RETAINER, NOZZLE	1	1	1						R	
		(A=E31261) (B=E32269) (C=E54826)											
79	1	22351-040008	PIN, SPRING 4.0X 8	1	1	1							
80	1	26106-080452	BOLT, M8X 45 PLATED	1	1								
81	1	26106-100552	BOLT, M10X 55 PLATED				1						
82	1	26226-060502	STUD, M6X 50	2	2	2							
83	1	26366-060002	NUT, M6	2	2	2							
84	1	114250-11311	GASKET, BONNET	1	1								
85	1	114650-11311	GASKET, BONNET				1						
86	1	183250-11951	BONNET ASSY, HEAD	1	1								
86-1	1	183250-11952	BONNET ASSY, HEAD	1	1							N	
		(A=E38486) (B=E40677)											
87	1	183650-11951	BONNET ASSY, HEAD				1						
89	2	183250-03601	SHAFT, DECOMPRESSION	1	1	1							
90	2	114250-03640	SPRING, DECOMPRESSION	1	1	1							
93	2	22312-030160	PIN, PARALLEL M3X16	1	1	1							
95A	2	27260-170000	PLUG, 17	1	1	1							W
		(A=E38486) (B=E40677)											
96	1	26106-060552	BOLT, M6X 55 PLATED	2	2								
97	1	26106-060702	BOLT, M6X 70 PLATED				2						
98	1	129100-61850	PLUG, 12	1	1								

N:Old  $\frac{New}{Old}$  New. Q:Old  $\frac{New}{Old}$  New. R:Old  $\frac{New}{Old}$  New. S:Old  $\frac{New}{Old}$  New. W:Add. Z:Discontinued. F:Interchangeable by set. K:Qty Change  
 Copyright (C) YANMAR CO., LTD. All Rights Reserved.

OCS10-M36101

Fig.3. AIR CLEANER

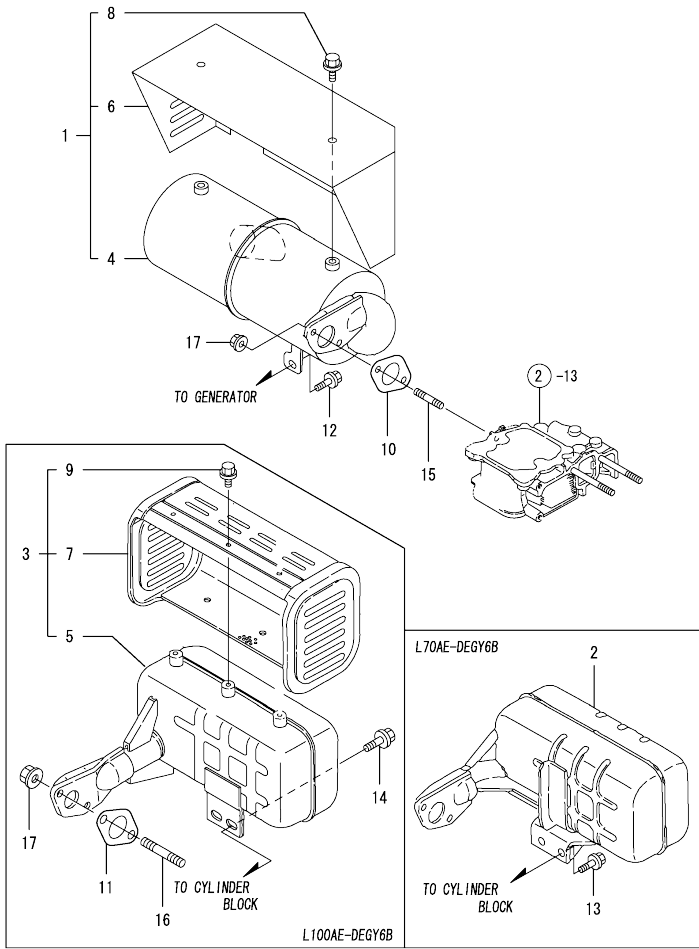


(A)=L48AE-DEGY6B  
(B)=L70AE-DEGY6B  
(C)=L100AEDEGY6B  
(D)=L48EE-DEGY6  
(E)=L70EE-DEGY6  
(F)=L100EE-DEGY6

No.	Lev.	Parts No.	Description	Qty						I	R	
				(A)	(B)	(C)	(D)	(E)	(F)			
1	1	114250-12211	GASKET, AIR CLEANER		1	1						
2	1	114650-12211	GASKET, AIR CLEANER				1					
3	1	714250-12560	CLEANER ASSY, AIR	1	1							
4	1	714650-12560	CLEANER ASSY, AIR					1				
4-1	1	714650-12561	CLEANER ASSY, AIR (C=E79033)					1				N
6A	2	114770-07450	LABEL, AIR CLEANER (A=E43890) (B=E53253)	1	1							W
6B	2	114650-07450	LABEL, AIR CLEANER (C=E79033)					1				W
7	2	114250-12520	COVER, AIR CREAMER	1	1							
8	2	114650-12520	COVER, AIR CREAMER				1					
9	2	114250-12530	CASE ASSY, CLEANER	1	1							
10	2	114650-12530	CASE ASSY, CLEANER						1			
10-1	2	114650-12531	CASE ASSY, CLEANER (C=E79033)					1				S
11	2	114250-12560	WASHER, SEAL M6	1	1							
12	2	114252-12560	WASHER, SEAL M8				1					
13	2	114250-12580	ELEMENT	1	1							
13-1	2	114250-12581	ELEMENT (A=E43890) (B=E53253)	1	1							R
14	2	114650-12590	ELEMENT ASSY					1				
14-1	2	114650-12591	ELEMENT ASSY (C=E79033)					1				S
16	3	114650-12550	FILTER, PRE					1				
16-1	3	114650-12551	FILTER, PRE (C=E79033)					1				S
17	2	114250-12550	NUT, WING M6	1	1							
18	2	114252-12550	NUT, WING M8				1					
19	1	26366-060002	NUT, M6	3	3	3						
19-1	1	114250-12300	NUT (A=E32221) (B=E33922) (C=E56600)	3	3	3						R
20	1	114250-12010	PIPE, AIR INTAKE	1								
20-1	1	114299-12010	PIPE, AIR INTAKE (A=EXXX)	1								R
21	1	114350-12011	PIPE, AIR INTAKE		1							
21-1	1	114399-12010	PIPE, AIR INTAKE (B=E35231)		1							R
22	1	114650-12020	PIPE, AIR INTAKE				1					
22-1	1	114699-12020	PIPE, AIR INTAKE (C=E63033)				1					R
23	1	114250-12201	GASKET		1							
24	1	114350-12202	GASKET, AIR INTAKE			1						
25	1	114650-12301	GASKET					1				
26	1	26106-060252	BOLT, M6X 25 PLATED	1	2	3						
27	1	26226-060142	STUD, M6X 14	1	1	1						
28	1	26226-060552	STUD, M6X 55	2	2							
29	1	26226-060752	STUD, M6X 75			2						

N:Old  $\frac{100}{100}$  New, Q:Old  $\frac{100}{100}$  New, R:Old  $\frac{100}{100}$  New, S:Old  $\frac{100}{100}$  New, W:Add, Z:Discontinued, F:Interchangeable by set, K:Qty Change  
Copyright (C) YANMAR CO., LTD. All Rights Reserved.

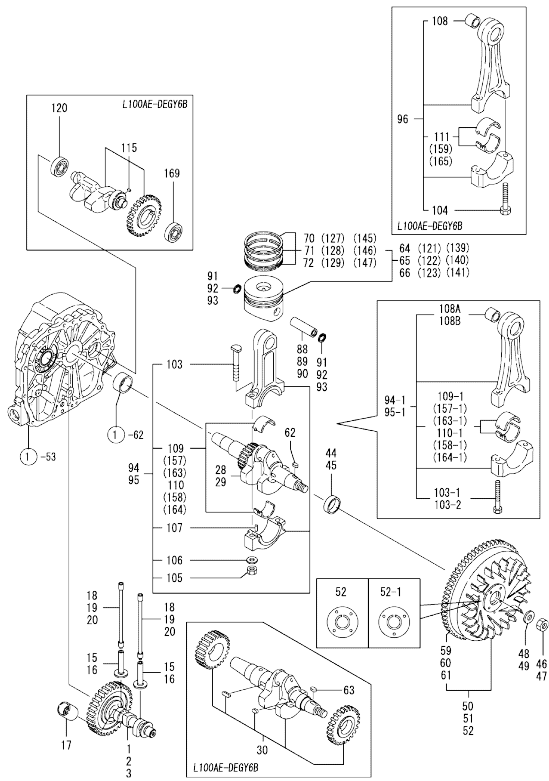
Fig.4. MUFFLER



No.	Lev.	Parts No.	Description	Qty						I	R
				(A)	(B)	(C)	(D)	(E)	(F)		
1	1	183284-13050	MUFFLER ASSY	1							
2	1	183854-13510	MUFFLER ASSY		1						
3	1	183650-13500	MUFFLER ASSY			1					
3-1	1	183650-13501	MUFFLER ASSY (C=E74994)			1					N
4	2	183284-13500	MUFFLER	1							
5	2	183650-13510	MUFFLER				1				
5-1	2	183650-13511	MUFFLER (C=E74994)				1				N
6	2	183284-13550	COVER	1							
7	2	183650-13700	COVER			1					
8	2	114252-13950	BOLT, M6X8	4							
9	2	26106-060082	BOLT, M6X 8 PLATED				6				
10	1	114250-13201	GASKET, MUFFLER	1	1						
11	1	114650-13201	GASKET				1				
12	1	26106-080162	BOLT, M8X 16 PLATED		1						
13	1	26106-060162	BOLT, M6X 16 PLATED			2					
14	1	26106-080182	BOLT, M8X 18 PLATED				2				
15	1	26216-080182	STUD, M8X 18	2	2						
16	1	26226-080202	STUD, M8X 20				2				
16-1	1	26216-080182	STUD, M8X 18				2				R
17	1	26366-080002	NUT, M8 (C=EXXX)	2	2	2					
17-1	1	26306-080002	NUT, M8 (C=EXXX)	2	2	2					N

N:Old  $\frac{New}{Old}$  New, Q:Old  $\frac{New}{Old}$  New, R:Old  $\frac{New}{Old}$  New, S:Old  $\frac{New}{Old}$  New, W:Add, Z:Discontinued, F:Interchangeable by set, K:Qty Change  
Copyright (C) YANMAR CO., LTD. All Rights Reserved.

Fig.5. CRANKSHAFT,PISTON & CAMSHAFT



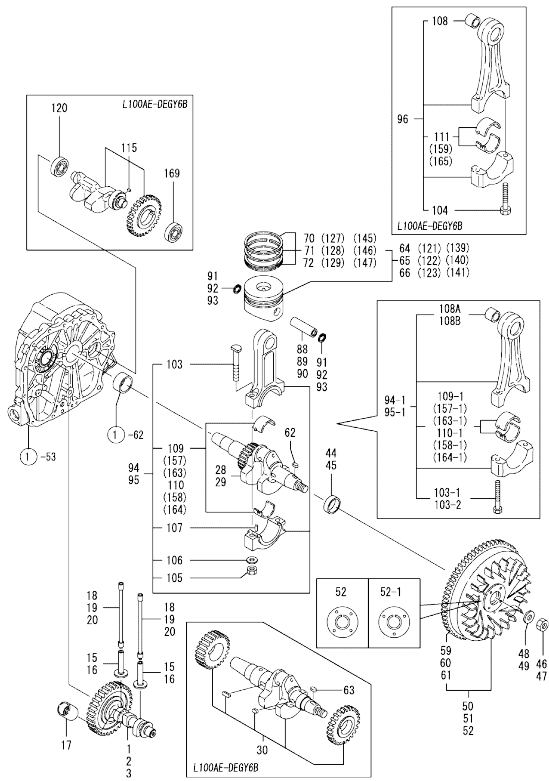
Remarks

- (1) OVER-SIZE(O.S=0.25)PART.
- (2) OVER-SIZE(O.S=0.50)PART.
- (3) UNDER-SIZE(U.S=0.25)PART.
- (4) UNDER-SIZE(U.S=0.50)PART.
- (5) REF.NO.29-1& 95-1 INTERCHANGEABLE BY SET.
- (6) REF.NO.52-1 & FIG.7 REF.NO.66-1 INTERCHANGEABLE BY SET.

(A)=L48AE-DEGY6B (D)=L48EE-DEGY6  
 (B)=L70AE-DEGY6B (E)=L70EE-DEGY6  
 (C)=L100AEDEGY6B (F)=L100EE-DEGY6

No.	Lev.	Parts No.	Description	Qty						I	R
				(A)	(B)	(C)	(D)	(E)	(F)		
1	1	714780-14580	CAMSHAFT ASSY	1							
1-1	1	714780-14581	CAMSHAFT ASSY, D	1							R
(A=EZZZZZ)											
2	1	714880-14580	CAMSHAFT ASSY		1						
3	1	714689-14580	CAMSHAFT ASSY				1				
15	1	114250-14200	TAPPET	2	2						
16	1	114650-14200	TAPPET					2			
17	1	114250-14260	TAPPET	1	1	1	1				
17-1	1	114771-14260	TAPPET	1	1	1					R
(A=E43890) (B=E53922) (C=E53922)											
18	1	114250-14450	ROD ASSY, PUSH	2							
18-1	1	114250-14451	ROD ASSY, PUSH	2							R
(A=E43890) (B=E53922) (C=E53922)											
19	1	114350-14450	ROD ASSY, PUSH		2						
19-1	1	114350-14451	ROD ASSY, PUSH		2						R
(B=E53922)											
20	1	114650-14401	ROD ASSY, PUSH				2				
20-1	1	114650-14402	ROD ASSY, PUSH				2				R
(C=E79033)											
28	1	783292-21700	CRANKSHAFT ASSY	1							
29	1	783392-21700	CRANKSHAFT ASSY		1						
29-1	1	783886-21700	CRANKSHAFT ASSY		1						F 5
(B=E33922)											
30	1	783692-21700	CRANKSHAFT ASSY					1			
44	1	183250-21350	SPACER, CRANKSHAFT	1							
45	1	183350-21350	SPACER, CRANKSHAFT		1						
46	1	103854-01221	NUT, CYLINDER HEAD	1	1						
47	1	122710-01220	NUT, CYLINDER HEAD					1			
48	1	114250-21550	WASHER		1	1					
49	1	114650-21551	WASHER					1			
50	1	114781-21590	FLYWHEEL ASSY		1						
50-1	1	114299-21590	FLYWHEEL ASSY		1						R
(A=E43890)											
51	1	114881-21590	FLYWHEEL ASSY		1						
51-1	1	114399-21590	FLYWHEEL ASSY		1						R
(B=E53253)											
52	1	114662-21592	FLYWHEEL ASSY				1				
52-1	1	114662-21593	FLYWHEEL ASSY				1				S 6
(C=E66048)											
52-2	1	114699-21590	FLYWHEEL ASSY				1				R
(C=E79033)											
59	2	114262-21600	GEAR, RING		1						
60	2	114362-21600	GEAR, RING			1					
61	2	114662-21601	GEAR, RING				1				
62	1	22512-040120	KEY, 4X 12		1	1					
63	1	22512-050140	KEY, 5X 14					1			
64	1	714780-22720	PISTON ASSY, D		1						
64-1	1	714780-22722	PISTON ASSY, D		1						N
(A=E43890)											
65	1	714880-22720	PISTON ASSY, D		1						
65-1	1	714880-22721	PISTON ASSY, D		1						N

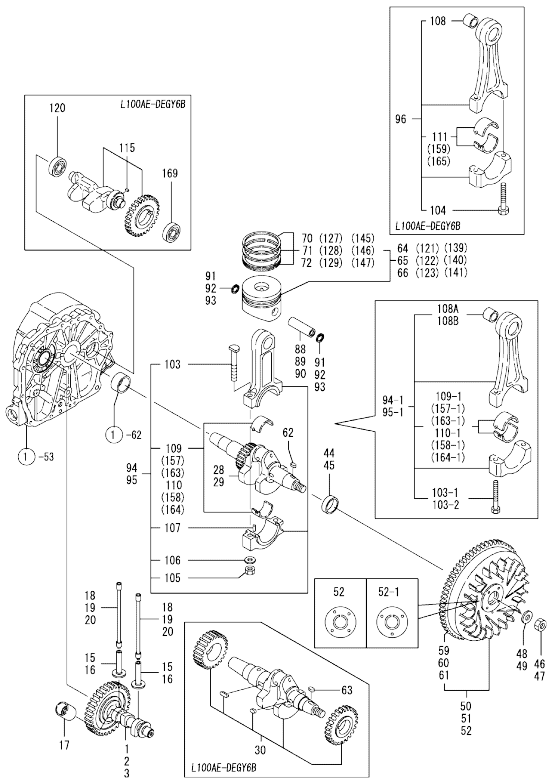
Fig.5. CRANKSHAFT,PISTON & CAMSHAFT



Remarks  
 (1) OVER-SIZE(O.S=0.25)PART.  
 (2) OVER-SIZE(O.S=0.50)PART.  
 (3) UNDER-SIZE(U.S=0.25)PART.  
 (4) UNDER-SIZE(U.S=0.50)PART.  
 (5) REF.NO.29-1& 95-1 INTERCHANGEABLE BY SET.  
 (6) REF.NO.52-1 & FIG.7 REF.NO.66-1 INTERCHANGEABLE BY SET.

No.	Lev.	Parts No.	Description	Qty						I	R
				(A)	(B)	(C)	(D)	(E)	(F)		
			(B=E50569)								
65-2	1	714880-22722	PISTON ASSY, D		1						N
			(B=E50569)								
66	1	714980-22720	PISTON ASSY, D				1				N
66-1	1	714980-22721	PISTON ASSY, D				1				N
			(C=E50569)								
70	2	714770-22500	RING SET, PISTON		1						N
71	2	714870-22500	RING SET, PISTON			1					N
71-1	2	714870-22501	RING SET, PISTON			1					N
			(B=E50569)								
71-2	2	714870-22502	RING SET, PISTON			1					N
			(B=E54865)								
72	2	714970-22500	RING SET, PISTON				1				N
88	1	114250-22302	PIN, PISTON D=19		1						R
88-1	1	114299-22300	PIN, PISTON D=19		1						R
			(A=E50569)								
89	1	114350-22301	PIN, PISTON D=21			1					R
89-1	1	114399-22300	PIN, PISTON D=21			1					R
			(B=E37591)								
90	1	114650-22300	PIN, PISTON D=23			1					R
90-1	1	114699-22300	PIN, PISTON D=23			1					R
			(C=E64470)								
91	1	22252-000190	RING, 19		2						
92	1	22252-000210	RING, 21			2					
93	1	129792-22400	CIRCLIP, 23				2				
94	1	714250-23703	ROD ASSY, CONNECTING		1						S
94-1	1	714770-23700	ROD ASSY, CONNECTING		1						S
			(A=E36287)								
94-2	1	71477G-23700	ROD ASSY, CONNECTING		1						N
			(A=E43890)								
95	1	714350-23704	ROD ASSY, CONNECTING		1						F
95-1	1	714380-23700	ROD ASSY, CONNECTING		1						F
			(B=E33922)								
95-2	1	71438G-23700	ROD ASSY, CONNECTING		1						N
			(B=E54865)								
96	1	714650-23700	ROD ASSY, CONNECTING			1					N
96-1	1	71465G-23700	ROD ASSY, CONNECTING			1					N
			(C=E79929)								
103	2	114250-23200	BOLT, CONNECTING ROD	2	2						S
103-1	2	118200-23200	BOLT, CONNECTING ROD		2						S
			(B=E33922)								
103-2	2	119265-23200	BOLT, CONNECTING ROD		2						S
			(A=E36287)								
104	2	104200-23201	BOLT, CONNECTING ROD			2					N
104-1	2	105300-23200	BOLT, CONNECTING ROD			2					N
			(C=E35653)								
105	2	114250-23220	NUT	2	2						Z
			(A=E36287)								
106	2	114250-23250	WASHER	2	2						Z
			(B=E33922)								
107	2	22312-030080	PIN, PARALLEL M3X 8	2	2						Z
			(A=E36287)								

Fig.5. CRANKSHAFT,PISTON & CAMSHAFT



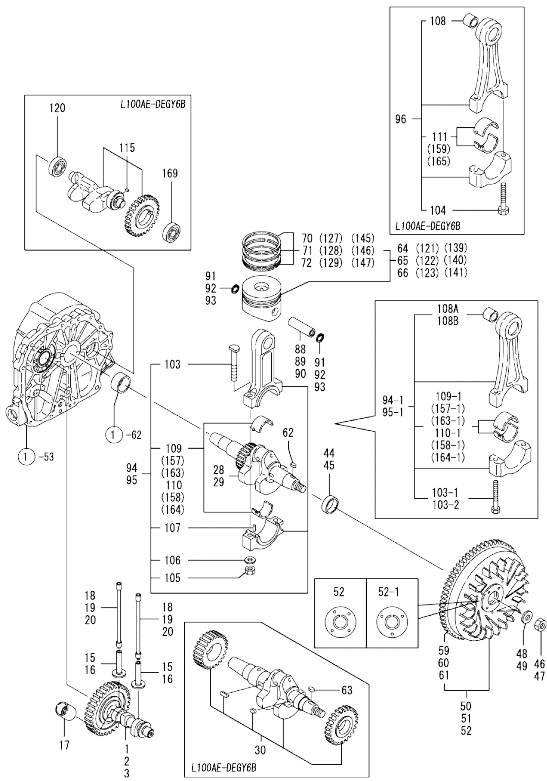
Remarks  
 (1) OVER-SIZE (O.S.=0.25) PART.  
 (2) OVER-SIZE (O.S.=0.50) PART.  
 (3) UNDER-SIZE (U.S.=0.25) PART.  
 (4) UNDER-SIZE (U.S.=0.50) PART.  
 (5) REF.NO.29-1& 95-1 INTERCHANGEABLE BY SET.  
 (6) REF.NO.52-1 & FIG.7 REF.NO.66-1 INTERCHANGEABLE BY SET.

(A)=L48AE-DEGY6B (D)=L48EE-DEGY6  
 (B)=L70AE-DEGY6B (E)=L70EE-DEGY6  
 (C)=L100AEDEGY6B (F)=L100EE-DEGY6

No.	Lev.	Parts No.	Description	Qty						I	R
				(A)	(B)	(C)	(D)	(E)	(F)		
			(A=E36287) (B=E33922)								
108	2	124060-23100	BEARING, PISTON PIN				1				
108A	2	114770-23100	BEARING, PISTON PIN	1							W
			(A=E36287) (B=E33922)								
108B	2	114380-23100	BEARING, PISTON PIN		1						W
109	2	714250-23600	BEARING, CRANK PIN		1						
109-1	2	714770-23600	BEARING, CRANK PIN		1						S
			(A=E36287) (B=E33922)								
110	2	714350-23600	BEARING, CRANK PIN		1						
110-1	2	714380-23600	BEARING, CRANK PIN		1						S
			(B=E33922)								
111	2	714650-23600	BEARING, CRANK PIN				1				
115	1	714689-28510	SHAFT ASSY, BALANCER				1				
115-1	1	714970-28511	SHAFT ASSY, BALANCER				1				N
			(C=E25422)								
120	1	24101-062034	BEARING, BALL 6203				1				
121	1	714780-22620	PISTON ASSY, 0.25 OS		1						1
121-1	1	714780-22622	PISTON ASSY, 0.25 OS		1						N 1
			(A=EXXXX)								
122	1	714880-22620	PISTON ASSY, 0.25 OS		1						1
122-1	1	714880-22621	PISTON ASSY, 0.25 OS		1						N 1
			(B=E50569)								
122-2	1	714880-22622	PISTON ASSY, 0.25 OS		1						N 1
			(B=EXXXX)								
123	1	714980-22620	PISTON ASSY, 0.25 OS				1				1
123-1	1	714980-22621	PISTON ASSY, 0.25 OS				1				N 1
			(C=EXXXX)								
127	2	714770-22540	RING SET, 0.25 OS		1						1
128	2	714870-22540	RING SET, 0.25 OS			1					1
128-1	2	714870-22541	RING SET, 0.25 OS			1					N 1
			(B=E50569)								
128-2	2	714870-22542	RING SET, 0.25 OS			1					N 1
			(B=E54865)								
129	2	714970-22540	RING SET, 0.25 OS				1				1
139	1	714780-22580	PISTON ASSY, 0.50 OS		1						2
139-1	1	714780-22582	PISTON ASSY, 0.50 OS		1						N 2
			(A=EXXXX)								
140	1	714880-22580	PISTON ASSY, 0.50 OS		1						2
140-1	1	714880-22581	PISTON ASSY, 0.50 OS		1						N 2
			(B=E50569)								
140-2	1	714880-22582	PISTON ASSY, 0.50 OS		1						N 2
			(B=EXXXX)								
141	1	714980-22580	PISTON ASSY, 0.50 OS				1				2
141-1	1	714980-22581	PISTON ASSY, 0.50 OS				1				N 2
			(C=EXXXX)								
145	2	714770-22550	RING SET, 0.50 OS		1						2
146	2	714870-22550	RING SET, 0.50 OS			1					2
146-1	2	714870-22551	RING SET, 0.50 OS			1					N 2
			(B=E50569)								
146-2	2	714870-22552	RING SET, 0.50 OS			1					N 2



Fig.5. CRANKSHAFT,PISTON & CAMSHAFT

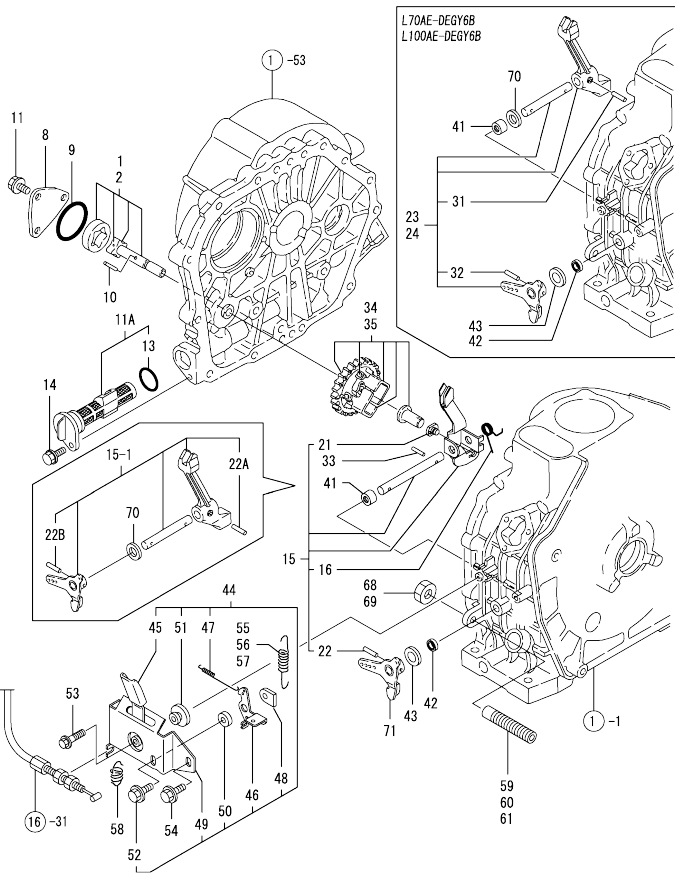


- Remarks
- (1) OVER-SIZE(O.S=0.25)PART.
  - (2) OVER-SIZE(O.S=0.50)PART.
  - (3) UNDER-SIZE(U.S=0.25)PART.
  - (4) UNDER-SIZE(U.S=0.50)PART.
  - (5) REF.NO.29-1& 95-1 INTERCHANGEABLE BY SET.
  - (6) REF.NO.52-1 & FIG.7 REF.NO.66-1 INTERCHANGEABLE BY SET.

(A)=L48AE-DEGY6B (D)=L48EE-DEGY6  
 (B)=L70AE-DEGY6B (E)=L70EE-DEGY6  
 (C)=L100AEDEGY6B (F)=L100EE-DEGY6

No.	Lev.	Parts No.	Description	Qty						I	R
				(A)	(B)	(C)	(D)	(E)	(F)		
(B=E54865)											
147	2	714970-22550	RING SET, 0.50 OS				1			2	
157	1	714250-23610	BEARING ASSY, 0.25							3	
157-1	1	714770-23610	BEARING ASSY, 0.25		1					S 3	
(A=E36287)											
158	1	714350-23610	BEARING ASSY, 0.25				1			3	
158-1	1	714380-23610	METAL ASSY, 0.25				1			S 3	
(B=E33922)											
159	1	714650-23610	BEARING ASSY, 0.25					1		3	
163	1	714250-23620	BEARING, 0.50 US				1			4	
163-1	1	714770-23620	BEARING, 0.50 US		1					S 4	
(A=E36287)											
164	1	714350-23620	BEARING, 0.50 US				1			4	
164-1	1	714380-23620	BEARING, 0.50 US				1			S 4	
(B=E33922)											
165	1	714650-23620	BEARING, 0.50 US					1		4	
169	1	24101-063034	BEARING, BALL 6303					1		4	

Fig.6. LUB.OIL PUMP & GOVERNOR

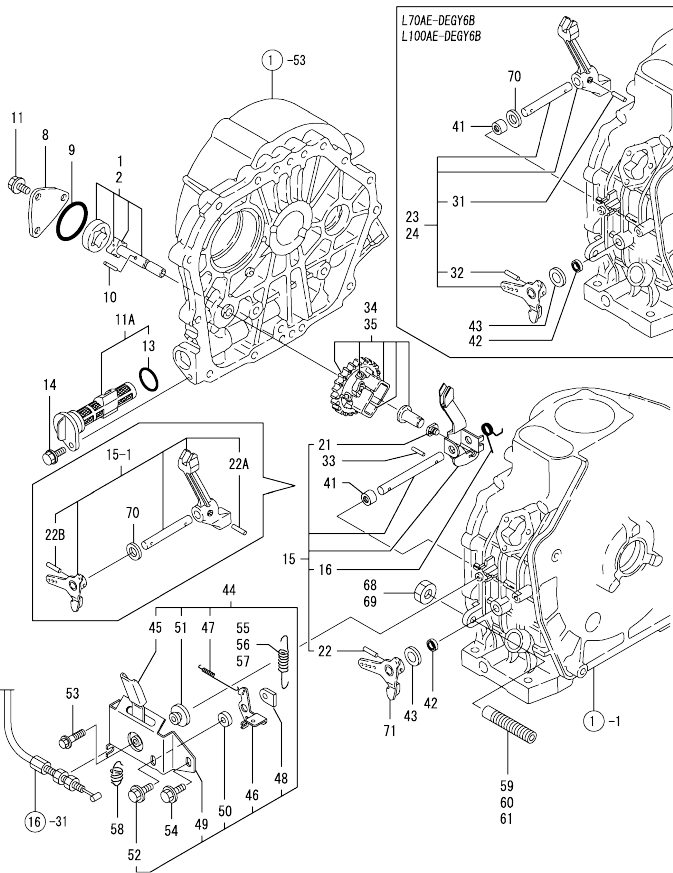


Remarks  
 (1) REF.NO.15-1 & 59-1 INTERCHANGEABLE  
 BY SET.

No.	Lev.	Parts No.	Description	Q'ty						I	R
				(A)	(B)	(C)	(D)	(E)	(F)		
1	1	114250-32010	PUMP ASSY, OIL								
2	1	114650-32010	PUMP ASSY, OIL								
8	1	114250-32070	COVER								
9	1	103338-32570	O-RING								
10	1	22312-030160	PIN, PARALLEL M3X16								
11	1	26476-060142	SCREW, TAPPING M6X14								
11A	1	114250-35110	FILTER ASSY, OIL								W
	(A=EXXX)										
13	2	24341-000224	O-RING, 1AS22.4								
14	1	26106-060162	BOLT, M6X 16 PLATED								
15	1	114770-61260	SHAFT ASSY								
15-1	1	714250-61500	LEVER ASSY, GOVERNOR								F 1
	(A=EXXX)										
15-2	1	714250-61501	LEVER ASSY, GOVERNOR								N
	(A=E43886)										
16	2	114770-61240	SPRING, STARTING								Z
	(A=EXXX)										
21	2	119600-61541	SHIFTER								Z
	(A=EXXX)										
22	2	22351-030020	PIN, SPRING 3.0X20								Z
	(A=EXXX)										
22A	2	22322-030200	PIN, TAPER 3X20								W
	(A=EXXX)										
22B	2	22322-030200	PIN, TAPER 3X20								W
	(A=EXXX)										
23	1	714350-61500	LEVER ASSY, GOVERNOR								
23-1	1	714350-61501	LEVER ASSY, GOVERNOR								N
	(B=E50569)										
24	1	714650-61500	LEVER ASSY, GOVERNOR								
24-1	1	714650-61501	LEVER ASSY, GOVERNOR								N
	(C=E77718)										
31	2	22322-030200	PIN, TAPER 3X20								
32	2	22322-030200	PIN, TAPER 3X20								
33	1	22322-030200	PIN, TAPER 3X20								
34	1	714770-61700	GOVERNOR ASSY								
35	1	714685-61700	GOVERNOR ASSY								
41	1	114270-61520	BEARING, NEEDLE 8								
41-1	1	114299-61520	BEARING, NEEDLE								R
	(A=E43886)										
	(B=E48504)										
	(C=E76204)										
41-2	1	114770-61520	BEARING, NEEDLE								N
	(A=EXXX)										
	(B=EXXX)										
	(C=EXXX)										
42	1	114770-61600	SEAL, OIL								
43	1	114770-61610	WASHER, THRUST								
44	1	183250-66511	BRACKET ASSY, HANDLE								
45	2	183250-66301	HANDLE								
46	2	183250-66321	LEVER, LOCK								
47	2	183250-66331	SPRING								
48	2	183250-66341	NUT, LOCK								
49	2	183250-66351	BRACKET								
50	2	183250-66361	COLLAR								
51	2	183250-66371	COLLAR								

N:Old  $\frac{100}{100}$  New, Q:Old  $\frac{100}{100}$  New, R:Old  $\frac{100}{100}$  New, S:Old  $\frac{100}{100}$  New, W:Add, Z:Discontinued, F:Interchangeable by set, K:Q'ty Change  
 ++ CONTINUE ++  
 Copyright (C) YANMAR CO., LTD. All Rights Reserved.

Fig.6. LUB.OIL PUMP & GOVERNOR



(A)=L48AE-DEGY6B  
 (B)=L70AE-DEGY6B  
 (C)=L100AEDEGY6B  
 (D)=L48EE-DEGY6  
 (E)=L70EE-DEGY6  
 (F)=L100EE-DEGY6

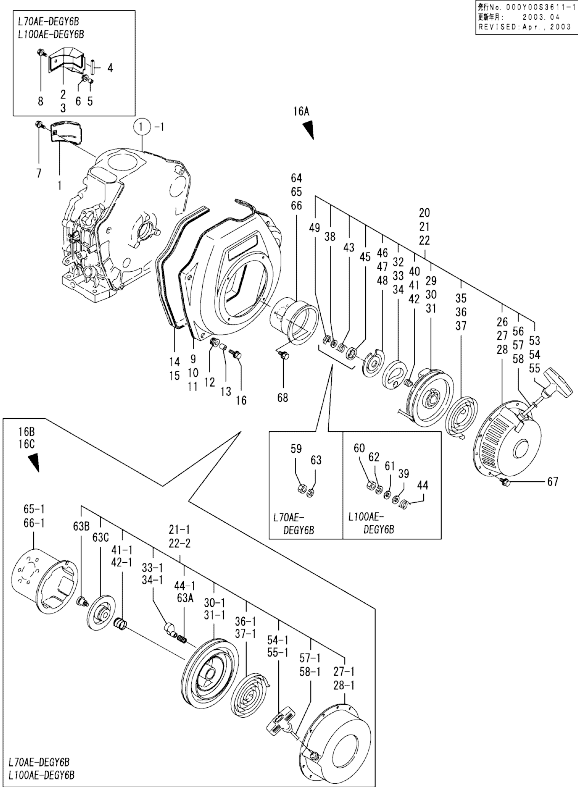
No.	Lev.	Parts No.	Description	Qty						I	R
				(A)	(B)	(C)	(D)	(E)	(F)		
52	2	26106-060162	BOLT, M6X 16 PLATED	1	1	1					
53	1	26106-060202	BOLT, M6X 20 PLATED	1	1	1					
54	1	26476-060142	SCREW, TAPPING M6X14	1	1	1					
55	1	114770-66010	SPRING, REGULATOR	1							
56	1	114870-66010	SPRING, REGULATOR			1					
57	1	114970-66010	SPRING, REGULATOR				1				
58	1	114250-66200	SPRING, RETURN	1	1	1					
59	1	114888-66560	SCREW	1							
59-1	1	114250-66550	LIMITER ASSY, FUEL	1							S
		(A=E43886)									
60	1	114250-66550	LIMITER ASSY, FUEL		1						
61	1	114650-66500	LIMITER ASSY, FUEL			1					
68	1	114888-66710	NUT, M10		1						
68-1	1	26696-100002	NUT, LOCK M10		1						N
		(A=E43886)									
68-2	1	26776-100002	NUT, LOCK M10		1						N
		(A=E43886)									
69	1	26696-100002	NUT, LOCK M10			1	1				
69-1	1	26776-100002	NUT, LOCK M10			1	1				N
		(B=E44820) (C=E74994)									
70	1	114770-61190	WASHER	1	1	1					W
		(A=E43886)									
71	1	114250-61160	LEVER, CONTROL		1						Z
		(A=E43886)									

Remarks  
 (1) REF.NO.15-1 & 59-1 INTERCHANGEABLE  
 BY SET.

N:Old  $\frac{100}{100}$  New, Q:Old  $\frac{100}{100}$  New, R:Old  $\frac{100}{100}$  New, S:Old  $\frac{100}{100}$  New, W:Add, Z:Discontinued, F:Interchangeable by set, K:Qty Change  
 Copyright (C) YANMAR CO., LTD. All Rights Reserved.

OCS10-M36101

Fig.7. COOLING & STARTING DEVICE



Remarks

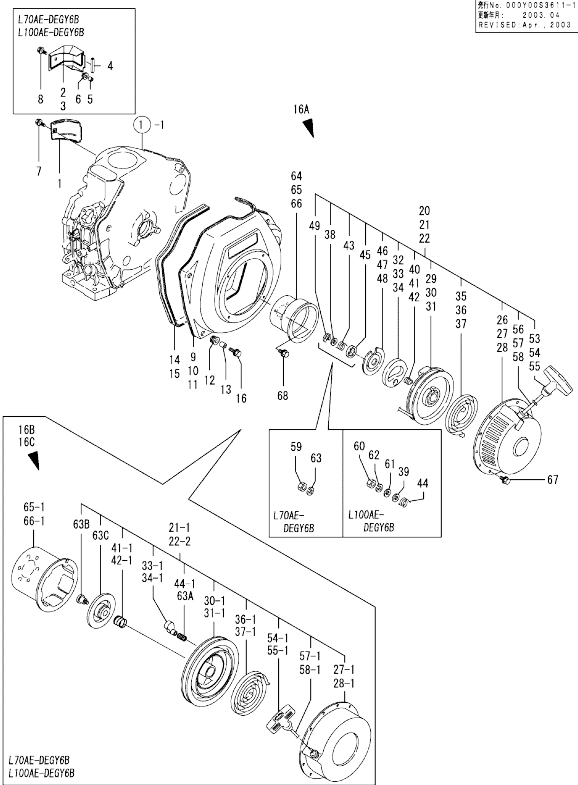
- (1) REF.NO.16 TAPTITE, 16-1 SCREW.
- (2) REF.NO.66-1 & FIG.5 REF.NO.52-1 INTERCHANGEABLE BY SET.
- (3) INC. REF.NO.20-1 & 64.
- (4) INC. REF.NO.21-1 & 65-1.
- (5) INC. REF.NO.22-2 & 66-2.
- (M) MISPRINT.

No.	Lev.	Parts No.	Description	Qty						I	R
				(A)	(B)	(C)	(D)	(E)	(F)		
1	1	114250-45211	COVER	1							
1-1	1	114299-45210	COVER	1							R
(A=E40568)											
2	1	114870-45201	COVER		1						
3	1	114650-45201	COVER				1				
4	1	114350-45320	RUBBER, SEAL		1		1				
5	1	114350-45340	COLLAR				1	1			
6	1	183720-55210	GROMMET				1	1			
7	1	26476-060142	SCREW, TAPPING M6X14		1		1	1			
7-1	1	26106-060122	BOLT, M6X 12 PLATED		1						N
(A=E31261)											
8	1	26476-060202	SCREW, TAPPING M6X20				1	1			
8-1	1	26106-060202	BOLT, M6X 20 PLATED				1	1			N
(B=E32269) (C=E54826)											
9	1	114780-45100-R	CASE, COOLING FAN		1						
10	1	114360-45101-R	CASE, COOLING FAN				1				
11	1	114668-45102-R	CASE, COOLING FAN					1			
12	1	114250-45300	ABSORBER		4	4	4				
12-1	1	114250-45301	ABSORBER		4	4	4				N
(A=E22924) (B=E24054) (C=E39298)											
13	1	114250-45310	COLLAR		4	4	4				
14	1	114250-45330	SEAL, FAN CASE L=875				1	1			
15	1	114650-45330	SEAL, FAN CASE L=950							1	
16	1	114370-45350	BOLT		4	4	4				
16-1	1	114370-45351	BOLT		4	4	4				S 1
(A=E31819) (B=E33496) (C=E55703)											
16A	1	114260-76051	STARTER ASSY, RECOIL		1						W 3
16B	1	114880-76051	STARTER ASSY, RECOIL			1					W 4
(B=E44309)											
16C	1	114660-76052	STARTER ASSY, RECOIL				1				W 5
(C=E72317)											
20	1	714260-76821	STARTER ASSY, RECOIL		1						
20-1	1	114260-76251	STARTER ASSY, RECOIL		1						R
(A=E40568)											
21	1	714880-76821	STARTER ASSY, RECOIL		1						
21-1	1	114880-76251	STARTER ASSY, RECOIL			1					S
(B=E44309)											
22	1	714660-76821	STARTER ASSY, RECOIL				1				
22-1	1	114660-76252	STARTER ASSY, RECOIL				1				M
22-2	1	114660-76251	STARTER ASSY, RECOIL				1				S
(C=E72317)											
26	2	114260-76520	CASE, STARTER		1						
27	2	114880-76510	CASE, STARTER				1				
27-1	2	114880-76511	CASE, STARTER				1				S
(B=E44309)											
28	2	114660-76530	CASE, STARTER					1			
28-1	2	114660-76531	CASE, STARTER					1			S
(C=E72317)											
29	2	160260-76520	REEL		1						
30	2	160810-76520	REEL				1				

N:Old  $\frac{100}{100}$  New, Q:Old  $\frac{100}{100}$  New, R:Old  $\frac{100}{100}$  New, S:Old  $\frac{100}{100}$  New, W:Add, Z:Discontinued, F:Interchangeable by set, K:Qty Change  
 ++ CONTINUE ++  
 Copyright (C) YANMAR CO., LTD. All Rights Reserved.

OCS10-M36101

Fig.7. COOLING & STARTING DEVICE



Part No. 003Y003811-1  
 2003.04  
 REVISED Part, 2003

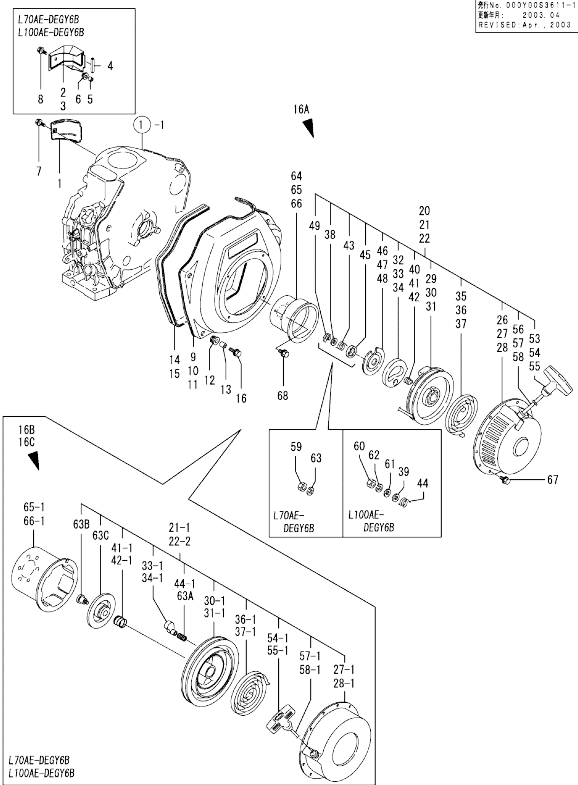
- Remarks  
 (1) REF.NO.16 TAPTITE, 16-1 SCREW.  
 (2) REF.NO.66-1 & FIG.5 REF.NO.52-1 INTERCHANGEABLE BY SET.  
 (3) INC. REF.NO.20-1 & 64.  
 (4) INC. REF.NO.21-1 & 65-1.  
 (5) INC. REF.NO.22-2 & 66-2.  
 (M) MISPRINT.

No.	Lev.	Parts No.	Description	Q'ty						I	R
				(A)	(B)	(C)	(D)	(E)	(F)		
30-1	2	114880-76520 (B=E44309)	REEL		1						S
31	2	114650-76520	REEL				1				
31-1	2	114880-76520 (C=E72317)	REEL				1				S
32	2	160260-76530	RATCHET		1						
33	2	160840-76530	RATCHET				1				
33-1	2	114870-76530 (B=E44309)	RATCHET				2				S
34	2	160910-76530	RATCHET					1			
34-1	2	114870-76530 (C=E72317)	RATCHET					2			S
35	2	160260-76540	SPRING, SPIRAL		1						
36	2	160810-76540	SPRING, SPIRAL					1			
36-1	2	114870-76540	SPRING, SPIRAL					1			S
37	2	114650-76540 (B=E44309)	SPRING, SPIRAL						1		
37-1	2	114870-76540 (C=E72317)	SPRING, SPIRAL						1		S
38	2	160260-76550	WASHER, THRUST				1				
39	2	160910-76550	WASHER, THRUST						1		Z
40	2	160260-76560 (C=E72317)	SPRING, FRICTION				1				
41	2	160840-76560	SPRING, FRICTION					1			
41-1	2	114870-76560 (B=E44309)	SPRING, FRICTION						1		S
42	2	160910-76560	SPRING, FRICTION						1		S
42-1	2	114870-76560 (C=E72317)	SPRING, FRICTION						1		S
43	2	160290-76570	SPRING, RETURN				1				
44	2	160910-76570	SPRING, RETURN						1		
44-1	2	114870-76570 (C=E72317)	SPRING, RETURN						2		S
45	2	160260-76580	COVER				1				
46	2	160260-76590	PLATE, FRICTION				1				
47	2	160810-76580	PLATE, FRICTION					1			Z
48	2	160910-76580 (B=E44309) (C=E72317)	PLATE, FRICTION						1		Z
49	2	160260-76600	CIRCLIP				1				
53	2	160260-76620	KNOB, STARTER				1				
53-1	2	114250-77620	KNOB, STARTER				1				M
53-2	2	114250-76620 (A=E40568)	KNOB, STARTER				1				S
54	2	160810-76620	KNOB, STARTER					1			
54-1	2	114870-76620 (B=E44309)	KNOB, STARTER						1		S
55	2	160910-76620	KNOB, STARTER						1		
55-1	2	114870-76620 (C=E72317)	KNOB, STARTER						1		S
56	2	160260-76630	ROPE, STARTER					1			

N:Old  $\frac{100}{100}$  New, Q:Old  $\frac{100}{100}$  New, R:Old  $\frac{100}{100}$  New, S:Old  $\frac{100}{100}$  New, W:Add, Z:Discontinued, F:Interchangeable by set, K:Q'ty Change  
 ++ CONTINUE ++  
 Copyright (C) YANMAR CO., LTD. All Rights Reserved.

OCS10-M36101

Fig.7. COOLING & STARTING DEVICE



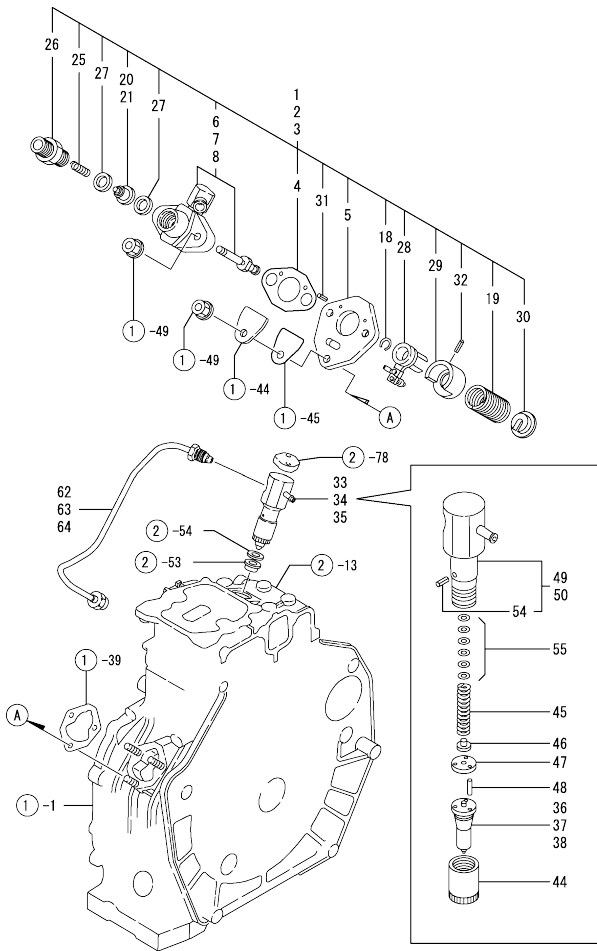
Part No. 003003811-1  
 図番 2003.04  
 REV. 001 Rev. 2003

(A)=L48AE-DEGY6B (D)=L48EE-DEGY6  
 (B)=L70AE-DEGY6B (E)=L70EE-DEGY6  
 (C)=L100AEDEGY6B (F)=L100EE-DEGY6

No.	Lev.	Parts No.	Description	Qty						I	R
				(A)	(B)	(C)	(D)	(E)	(F)		
57	2	160810-76630	ROPE, STARTER		1						
57-1	2	114870-76630 (B=E44309)	ROPE, STARTER		1						S
58	2	114650-76630	ROPE, STARTER				1				
58-1	2	114650-76631 (C=E72317)	ROPE, STARTER				1				S
59	2	181130-76680 (B=E44309)	NUT			1					Z
60	2	26717-060002 (C=E72317)	NUT, M6				1				Z
61	2	160910-76650 (C=E72317)	WASHER, THRUST				1				Z
62	2	22217-060000 (C=E72317)	WASHER, SPRING 6				1				Z
63	2	181130-76700 (B=E44309)	WASHER			1					Z
63A	2	114870-76570 (B=E44309)	SPRING, RETURN			2					W
63B	2	114870-76580 (B=E44309)	SCREW		1	1					W
63C	2	114880-76550 (B=E44309)	GUIDE, RATCHET		1	1					W
64	1	114250-76590 (C=E72317)	PULLEY, STARTER		1						
65	1	114350-76590 (B=E44309)	PULLEY, STARTER			1					
65-1	1	114350-76591 (B=E44309)	PULLEY, STARTER			1					S
66	1	114660-76590 (C=E72317)	PULLEY, STARTER				1				
66-1	1	114660-76591 (C=E66048)	PULLEY, STARTER				1				S 2
66-2	1	114660-76592 (C=E72317)	PULLEY, STARTER				1				N
67	1	26106-060082	BOLT, M6X 8 PLATED		4	4	4				
68	1	26106-060122	BOLT, M6X 12 PLATED		3	3	4				
68-1	1	26106-060122 (C=E66048)	BOLT, M6X 12 PLATED				3				K

- Remarks  
 (1) REF.NO.16 TAPTITE, 16-1 SCREW.  
 (2) REF.NO.66-1 & FIG.5 REF.NO.52-1 INTERCHANGEABLE BY SET.  
 (3) INC. REF.NO.20-1 & 64.  
 (4) INC. REF.NO.21-1 & 65-1.  
 (5) INC. REF.NO.22-2 & 66-2.  
 (M) MISPRINT.

Fig.8. FUEL INJECTION PUMP

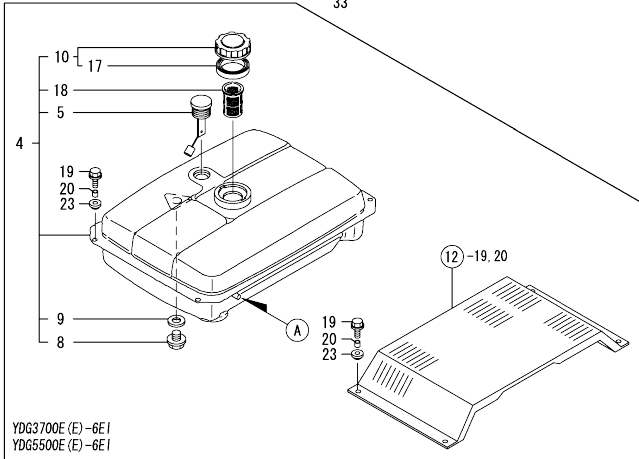
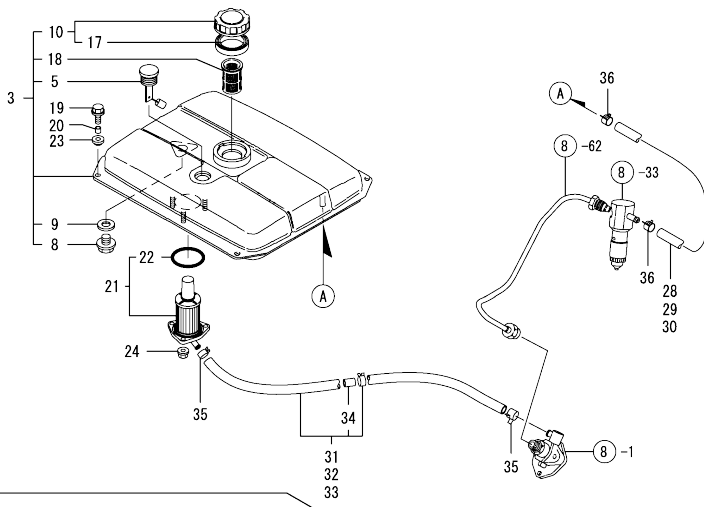


No.	Lev.	Parts No.	Description	Qty						I	R
				(A)	(B)	(C)	(D)	(E)	(F)		
1	1	783786-51700	PUMP ASSY, INJECTION	1							
2	1	783886-51700	PUMP ASSY, INJECTION		1						
3	1	783986-51100	PUMP ASSY, INJECTION			1					
4	2	105546-51020	GASKET	1	1	1					
5	2	114250-51080	PLATE	1	1	1					
6	2	183250-51200	BODY ASSY, PUMP	1							
7	2	183350-51200	BODY ASSY, PUMP			1					
8	2	183986-51100	BODY ASSY, PUMP				1				
18	2	114250-51150	RING, SNAP	1	1	1					Z
(A)=E31298 (B)=E31298 (C)=E31298											
19	2	114250-51160	SPRING, PLUNGER	1	1	1					
20	2	114250-51300	VALVE ASSY, DELIVERY	1	1						
21	2	114650-51300	VALVE ASSY, DELIVERY				1				
25	2	105546-51330	SPRING, DELIVERY	1	1	1					
26	2	114250-51340	HOLDER, DELIVERY	1	1	1					
27	2	124550-51350	GASKET, DELIVERY	2	2	2					
28	2	114250-51600	LEVER ASSY, CONTROL	1	1	1					
29	2	114250-51640	SEAT, SPRING A	1	1	1					
30	2	114250-51650	SEAT, SPRING B	1	1	1					
31	2	22351-020006	PIN, SPRING 2.0X 6	2	2	2					
32	2	22351-030008	PIN, SPRING 3.0X 8	1	1	1					
33	1	714250-53101	VALVE ASSY, INJECTION	1							
34	1	714870-53100	VALVE ASSY, INJECTION			1					
34-1	1	714870-53200	VALVE ASSY, INJECTION			1					R
(B)=E31298											
35	1	714650-53100	VALVE ASSY, INJECTION				1				
36	2	114250-53001	VALVE ASSY, INJECTION	1							
37	2	114870-53000	VALVE ASSY, INJECTION			1					
37-1	2	114870-53100	VALVE ASSY, INJECTION			1					R
(B)=E31298											
38	2	114650-53000	VALVE ASSY, INJECTION				1				
44	2	114250-53080	NUT, NOZZLE D16.95	1	1	1					
45	2	114250-53120	SPRING, NOZZLE	1	1	1					
46	2	114250-53130	SEAT, SPRING	1	1	1					
47	2	114250-53140	PLATE	1	1	1					
48	2	114250-53210	PIN	2	2	2					
49	2	114250-53300	HOLDER ASSY, NOZZLE	1	1						
50	2	114650-53300	HOLDER ASSY, NOZZLE				1				
54	3	114250-53331	PIN	1	1	1					
55	2	114250-53400	SHIM SET	1	1	1					
62	1	183250-59800	PIPE ASSY, INJECTION	1							
63	1	183350-59800	PIPE ASSY, INJECTION			1					
64	1	183650-59800	PIPE ASSY, INJECTION				1				
64-1	1	183650-59801	PIPE ASSY, INJECTION				1				R
(C)=E79033											

N:Old  $\frac{100}{100}$  New. Q:Old  $\frac{100}{100}$  New. R:Old  $\frac{100}{100}$  New. S:Old  $\frac{100}{100}$  New. W:Add. Z:Discontinued. F:Interchangeable by set. K:Qty Change  
 Copyright (C) YANMAR CO., LTD. All Rights Reserved.

OCS10-M36101

Fig.9. FUEL TANK & FUEL LINE



YDG3700E (E)-6E1  
YDG5500E (E)-6E1

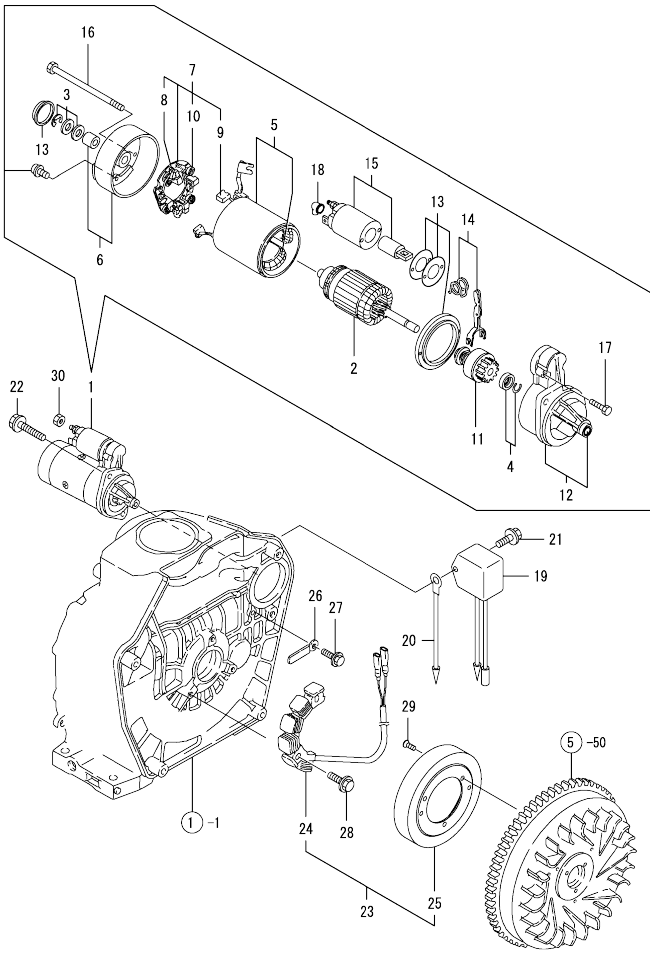
(A)=YDG2700E-6EH (D)=YDG2700EE6EH  
(B)=YDG3700E-6E1 (E)=YDG3700EE6E1  
(C)=YDG5500E-6E1 (F)=YDG5500EE6E1

No.	Lev.	Parts No.	Description	Qty						I	R
				(A)	(B)	(C)	(D)	(E)	(F)		
3	1	X2A05276KD0	TANK ASSY, FUEL	1			1				
4	1	X2A05277KD0	TANK ASSY, FUEL		1	1		1	1		
5	2	X3A06146KA0	GAUGE, FUEL	1	1	1	1	1	1		
8	2	104200-55080	PLUG, DRAIN	1	1	1	1	1	1		
9	2	22190-120002	WASHER, SEAL 12	1	1	1	1	1	1		
10	2	160710-55061	CAP ASSY	1	1	1	1	1	1		
17	3	160393-55050	GASKET	1	1	1	1	1	1		
18	2	160710-55100	FILTER, FUEL	1	1	1	1	1	1		
19	1	X3A06123K03	BOLT	4	8	8	4	8	8		
20	1	X5M07994000	COLLAR	4	8	8	4	8	8		
21	1	183254-55120	FILTER, FUEL	1	1	1	1	1	1		
22	2	24341-000450	O-RING, 1AS45.0	1	1	1	1	1	1		
23	1	183720-55210	GROMMET	4	8	8	4	8	8		
24	1	26366-060002	NUT, M6	3	3	3	3	3	3		
28	1	X3A06356K01	HOSE, FUEL	1			1				
29	1	X3A06356K02	HOSE, FUEL		1			1			
30	1	X3A06356K03	HOSE, FUEL			1			1		
31	1	X3A06873KA0	HOSE, FUEL	1			1			1	
32	1	X3A06873KB0	HOSE, FUEL L195		1			1			
33	1	X3A06873KC0	HOSE, FUEL			1			1		
34	2	183250-59040	PIECE	1	1	1	1	1	1		
35	1	106990-44660	CLIP, HOSE 12.5	2	2	2	2	2	2		
36	1	124722-59050	CLIP, HOSE 9	2	2	2	2	2	2		

N:Old  $\frac{New}{Old}$  New, Q:Old  $\frac{New}{Old}$  New, R:Old  $\frac{New}{Old}$  New, S:Old  $\frac{New}{Old}$  New, W:Add, Z:Discontinued, F:Interchangeable by set, K:Qty Change  
Copyright (C) YANMAR CO., LTD. All Rights Reserved.

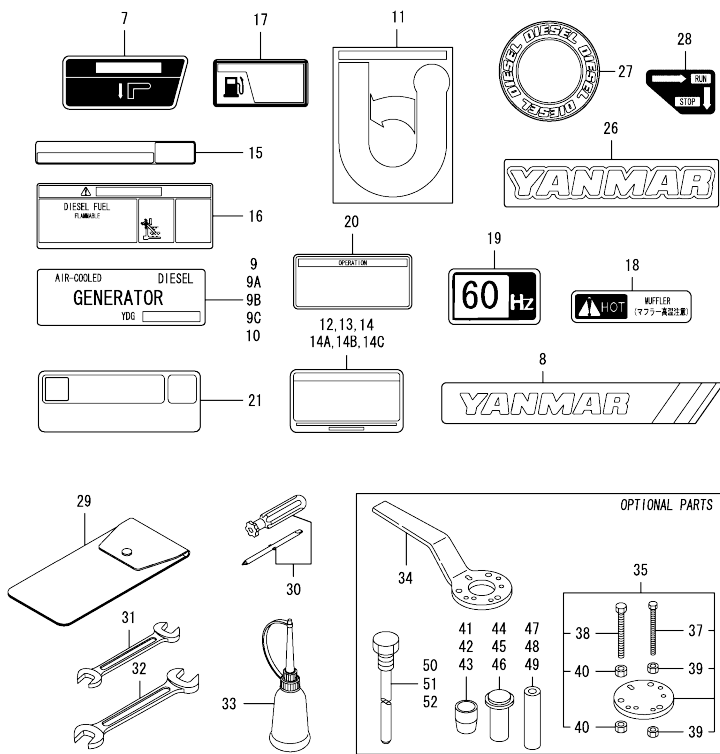


Fig.10. STARTING MOTOR & DYNAMO



No.	Lev.	Parts No.	Description	Qty						I	R	
				(A)	(B)	(C)	(D)	(E)	(F)			
1	1	114382-77011	STARTER	1	1	1						
2	2	114381-77110	ARMATURE	1	1	1						
3	2	X2114811000	WASHER KIT, THRUST	1	1	1						
4	2	X2114715500	STOPPER SET	1	1	1						
5	2	114381-77130	COIL ASSY, FIELD	1	1	1						
6	2	114381-77140	COVER	1	1	1						
7	2	114371-77160	HOLDER ASSY, BRUSH	1	1	1						
8	3	114371-79040	BRUSH	2	2	2						
9	3	114371-79050	BRUSH	1	1	1						
10	3	114371-79060	SPRING	4	4	4						
11	2	X211485016	PINION ASSY	1	1	1						
12	2	114381-77151	CASE ASSY	1	1	1						
13	2	114371-77170	COVER ASSY, DUST	1	1	1						
14	2	114371-77180	LEVER KIT, SHIFT	1	1	1						
15	2	X2114275010	SWITCH ASSY	1	1	1						
16	2	124195-77770	BOLT, THROUGH	2	2	2						
17	2	114371-79070	BOLT	2	2	2						
18	2	X2114274200	COVER	1	1	1						
19	1	160970-77350	RECTIFIER, ZR2117	1	1	1						
20	1	183350-77400	WIRE, LEAD	1	1	1						
21	1	26106-060122	BOLT, M6X 12 PLATED	1	1	1						
22	1	26106-100302	BOLT, M10X 30 PLATED	2	2	2						
23	1	114351-78251	DYNAMO ASSY	1	1	1						
24	2	114351-78751	STATOR ASSY	1	1	1						
25	2	114351-78761	WHEEL, DYNAMO	1	1	1						
26	1	160710-78710	CLAMP, CORD	1	1	1						
27	1	26476-060142	SCREW, TAPPING M6X14	1	1	1						
27-1	1	26106-060122	BOLT, M6X 12 PLATED	1	1	1						N
		(A=E31261) (B=E32269) (C=E54826)										
28	1	26476-060202	SCREW, TAPPING M6X20	3	3	3						
28-1	1	26106-060202	BOLT, M6X 20 PLATED	3	3	3						R
		(A=E5XXX) (B=E5XXX) (C=E5XXX)										
29	1	26577-060142	SCREW M 6X 14	3	3	3						
30	1	26716-080002	NUT, M8	1	1	1						W
		(A=E5XXX) (B=E5XXX) (C=E5XXX)										

Fig.11. TOOL & LABEL



(A)=YDG2700E-6EH (D)=YDG2700EE6EH  
 (B)=YDG3700E-6EI (E)=YDG3700EE6EI  
 (C)=YDG5500E-6EI (F)=YDG5500EE6EI

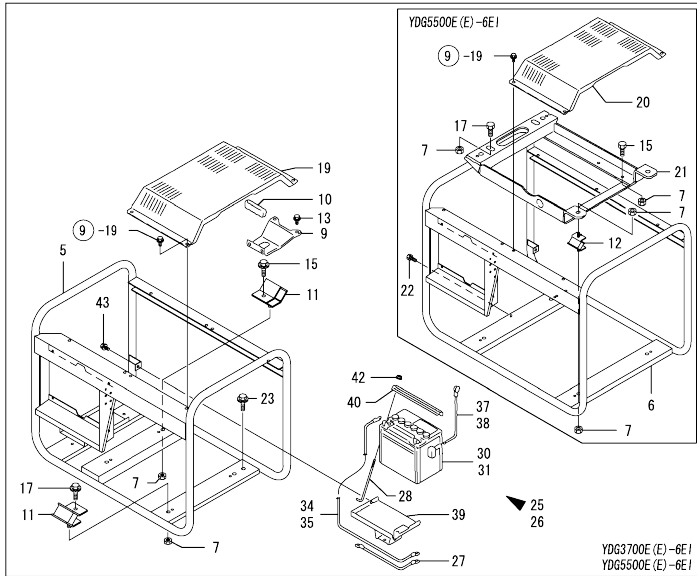
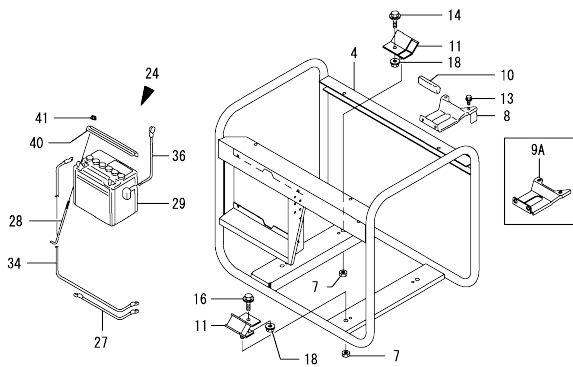
No.	Lev.	Parts No.	Description	Q'ty						I	R
				(A)	(B)	(C)	(D)	(E)	(F)		
7	1	X3A06813K01	LABEL, MARK PLATE	1	1	1	1	1	1		
8	1	X3A06919K01	LABEL, MARK PLATE	1	1	1	1	1	1		
9	1	X3A06920K03	LABEL, MARK PLATE	1	1						
9A	1	X3A06920K11	MARK PLATE,GH				1				
9B	1	X3A06920K12	MARK PLATE,GH					1			
9C	1	X3A07920K13	LABEL, MARK PLATE							1	
10	1	X3A06920K06	LABEL, MARK PLATE			1					
11	1	X3A06934K01	LABEL, MARK PLATE	1	1	1	1	1	1		
12	1	X3A06941K05	MARK PLATE,PW	1							
13	1	X3A06942K05	LABEL, MARK PLATE		1						
14	1	X3A06943K05	LABEL, MARK PLATE			1					
14A	1	X3A06941K07	MARK PLATE,PW				1				
14B	1	X3A06942K07	MARK PLATE,PW					1			
14C	1	X3A06943K07	LABEL, MARK PLATE						1		
15	1	183251-07130	LABEL, OIL WARNING	1	1	1	1	1	1		
16	1	183251-07170	LABEL, CAUTION	1	1	1	1	1	1		
17	1	183251-07190	LABEL	1	1	1	1	1	1		
18	1	170001-07230	LABEL, CAUTION	1	1	1	1	1	1		
19	1	183620-07230	LABEL, 60HZ	1	1	1	1	1	1		
20	1	183285-07300	LABEL, OPERATION	1	1	1	1	1	1		
21	1	183250-07380	LABEL, LUB. OIL	1	1	1	1	1	1		
26	1	114250-07111	LABEL, YANMAR	1	1	1	1	1	1		
27	1	114261-07350	LABEL, DIESEL	1	1	1	1	1	1		
28	1	183250-07480	LABEL, RUN-STOP	1	1	1	1	1	1		
29	1	114250-92600	BAG, TOOL	1	1	1	1	1	1		
30	1	160330-92730	DRIVE, SCREW	1	1	1	1	1	1		
31	1	28110-100120	SPANNER, 10X12	1	1	1	1	1	1		
32	1	28110-140170	SPANNER, 14X17	1	1	1	1	1	1		
33	1	28210-000150	OILER	1	1	1	1	1	1		
34	1	114250-92101	HANDLE	1	1	1	1	1	1		1
35	1	114250-92130	TOOL, WHEEL REMOVER	1	1	1	1	1	1		1
37	2	26116-060454	BOLT M 6X 45 PLATED	4	4	4	4	4	4		1
38	2	26116-080454	BOLT, M8X 45 PLATED	3	3	3	3	3	3		1
39	2	26716-060002	NUT, M6	8	8	8	8	8	8		1
40	2	26716-080002	NUT, M8	6	6	6	6	6	6		1
41	1	114250-92301	GUIDE	1			1				1
42	1	114361-92300	GUIDE, OIL SEAL		1			1			1
43	1	114661-92300	GUIDE			1			1		1
44	1	114250-92311	INSTALLING TOOL	1			1				1
45	1	114350-92311	INSTALLING TOOL	1	1		1	1	1		1
46	1	114650-92310	TOOL, INSTALLING			1			1		1
47	1	114250-92350	INSTALLING TOOL	1			1				1
48	1	114350-92350	INSTALLING TOOL		1			1			1
49	1	114650-92350	TOOL, INSTALLING			1			1		1
50	1	183754-92350	TOOL, ROTOR REMOVER	1			1				1
51	1	183854-92350	TOOL, ROTOR REMOVER		1			1			1
52	1	183976-92350	TOOL, ROTOR REMOVER		1			1			1

Remarks

(1) Optional parts.

OCS10-M36101

Fig.12. FRAME & BATTERY



(A)=YDG2700E-6EH (D)=YDG2700EE6EH  
 (B)=YDG3700E-6EI (E)=YDG3700EE6EI  
 (C)=YDG5500E-6EI (F)=YDG5500EE6EI

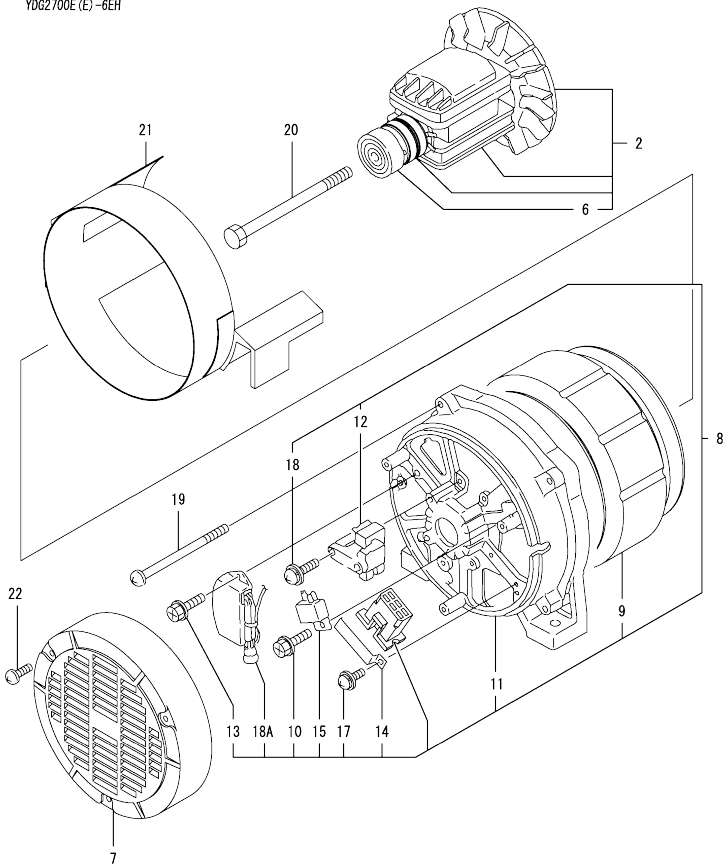
No.	Lev.	Parts No.	Description	Qty						I	R
				(A)	(B)	(C)	(D)	(E)	(F)		
4	1	X1A02523KE0	FRAME	1							
5	1	X1A02524KE0	FRAME		1			1			
6	1	X1A02526KE0	FRAME			1			1		
7	1	X4A05719K02	NUT	4	4	16	4	4	16		
8	1	183250-08150	STOPPER	1							
9	1	183350-08150	STOPPER		1	1		1	1		
9A	1	X3A11429K01	STOPPER					1			
10	1	183250-08160	RUBBER, STOPPER	1	1	1	1	1	1		
11	1	183284-08250	DAMPER	4	4		4	4			
12	1	183279-08210	DAMPER			4			4		
13	1	26106-080162	BOLT, M8X 16 PLATED	2	2	2	2	2	2		
14	1	26106-080252	BOLT, M8X 25 PLATED	2			2				
15	1	X3A06403K02	BOLT		2	2		2	2		
16	1	26106-080352	BOLT, M8X 35 PLATED	2			2				
17	1	X3A06403K03	BOLT		2	2		2	2		
18	1	26366-080002	NUT, M8	4							
18-1	1	26306-080002	NUT, M8	4			4				N
(A)=EXXX											
19	1	183384-08350-R	COVER, ENGINE		1			1			
20	1	183884-08350-R	COVER, ENGINE			1			1		
21	1	183984-08240	STAY, DAMPER			1			1		
22	1	X3A06123K01	BOLT			1			1		
23	1	26106-060122	BOLT, M6X 12 PLATED		4			4			
24	1	183255-79110	CABLE ASSY, BATTERY	1			1				
25	1	183855-79100	CABLE ASSY, BATTERY		1			1			
26	1	183955-79110	CABLE ASSY, BATTERY		1	1		1	1		
27	2	X3A06120K00	CORD ASSY	1	1	1	1	1	1		
28	2	X4A05899K01	BOLT, L198	2	2	2	2	2	2		
29	2	183261-79620	BATTERY, 12V-18AH	1			1				
30	2	183350-79510	BATTERY ASSY, 26A19L		1			1			
31	2	183976-79620	BATTERY ASSY, 38B20L			1		1	1		
34	2	183251-79550	CABLE	1		1	1	1	1		
35	2	183350-79560	CABLE, +		1			1			
36	2	183920-79560	CABLE, -		1			1			
37	2	183251-79570	CABLE (-)			1			1		
38	2	183985-79560	CABLE, + L=300				1			1	
39	2	183350-79610-1	BRACKET, BATTERY		1	1		1	1		
40	2	183350-79630	RETAINER, BATTERY	1	1	1	1	1	1		
41	2	X4A05900K01	NUT	2			2				
42	2	26366-050002	NUT, M5	2	2		2	2	2		
43	1	26106-060102	BOLT, M6X 10 PLATED	3	3		3	3	3		

N:Old  $\frac{YDC}{100}$  New. Q:Old  $\frac{HIC}{100}$  New. R:Old  $\frac{YDC}{100}$  New. S:Old  $\frac{HIC}{100}$  New. W:Add. Z:Discontinued. F:Interchangeable by set. K:Qty Change  
 Copyright (C) YANMAR CO., LTD. All Rights Reserved.

OCS10-M36101

Fig.13. GENERATOR (YDG2700E(E)-6EH)

YDG2700E (E) -6EH

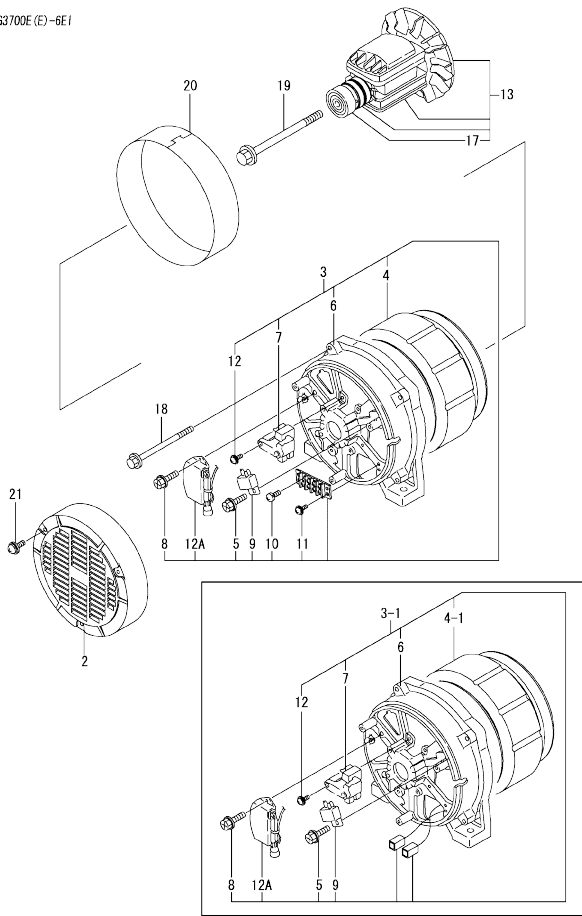


(A)=YDG2700E-6EH (D)=YDG2700EE6EH  
 (B)=YDG3700E-6EI (E)=YDG3700EE6EI  
 (C)=YDG5500E-6EI (F)=YDG5500EE6EI

No.	Lev.	Parts No.	Description	Q'ty						I	R
				(A)	(B)	(C)	(D)	(E)	(F)		
2	1	X2A02536KA0	ROTOR ASSY	1			1				
6	2	183740-74370	BEARING	1			1				
7	1	X2A04759K01	COVER	1			1				
8	1	X2A05264KF0	STATOR ASSY	1			1				
9	2	X2A05265KF0	STATOR	1			1				
10	2	X4M47065000	SCREW, M5X10	1			1				
11	2	183740-74250	COVER, REAR	1							
11-1	2	183740-74251 (A=EXXXXX)	COVER	1			1				N
11-2	2	183740-74252 (A=EZZZZZ)	COVER, REAR	1			1				N
12	2	183250-74271	BRUSH ASSY	1			1				
12-1	2	183250-74272 (A=EZZZZZ)	BRUSH ASSY	1			1				N
13	2	183820-74300	SCREW				2		2		
14	2	183740-74310	CLAMP	1			1				
15	2	183210-74470	RECTIFIER	1			1				
15-1	2	183250-74460 (A=EXXXXX)	RECTIFIER	1			1				N
17	2	26023-040202	SCREW, M4X20	1			1				
18	2	26023-040202	SCREW, M4X20	2			2				
18A	2	183731-74470 (A=EXXXXX)	REGULATOR, VOLTAGE	1			1				W
19	1	X3A06121K01	BOLT, THROUGH	4			4				
20	1	X3A06122K03	BOLT, M8XL190	1			1				
21	1	X3A06948K01	BAND	1			1				
22	1	26023-040162	SCREW, M4X16	3			3				

Fig.14. GENERATOR (YDG3700E(E)-6EI)

YDG3700E(E)-6EI



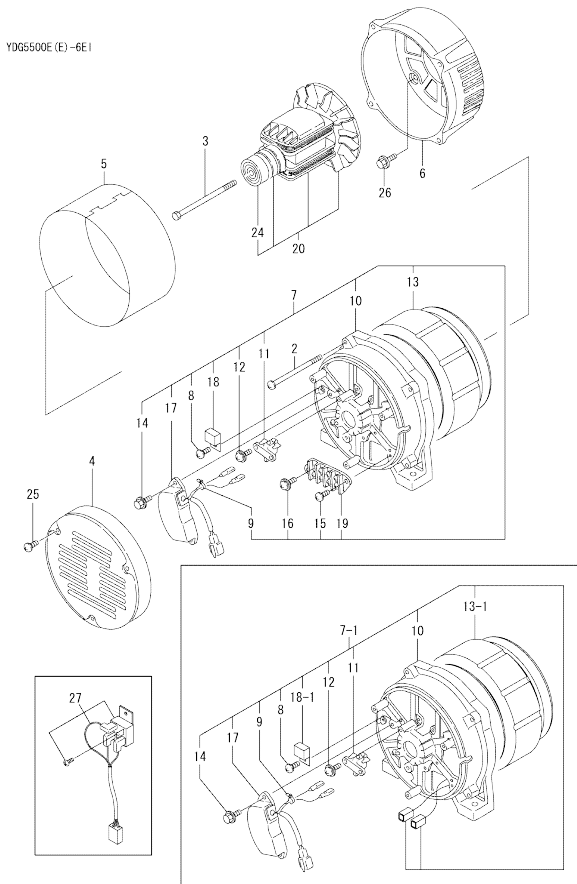
(A)=YDG2700E-6EH (D)=YDG2700EE6EH  
 (B)=YDG3700E-6EI (E)=YDG3700EE6EI  
 (C)=YDG5500E-6EI (F)=YDG5500EE6EI

No.	Lev.	Parts No.	Description	Qty						I	R
				(A)	(B)	(C)	(D)	(E)	(F)		
2	1	X2A04759K01	COVER	1					1		
3	1	X2A05270KF0	STATOR ASSY	1							
3-1	1	X2A07490KF0	STATOR ASSY	1					1		S
(B=EA12815)											
4	2	X2A05271KF0	STATOR	1							
4-1	2	X2A07491KF0	STATOR	1					1		S
(B=EA12815)											
5	2	X4M47065000	SCREW, M5X10		1				1		
6	2	183740-74250	COVER, REAR		1				1		
7	2	183250-74271	BRUSH ASSY		1				1		
7-1	2	183250-74272	BRUSH ASSY		1				1		N
(B=EZZZZZ)											
(E=EZZZZZ)											
8	2	183820-74300	SCREW		2				2		
9	2	183250-74460	RECTIFIER		1				1		
10	2	26022-040082	SCREW, M4X 8		8				8		Z
(B=MXXXXX)											
(E=MXXXXX)											
11	2	26023-040202	SCREW, M4X20		2				2		Z
(B=MXXXXX)											
(E=MXXXXX)											
12	2	26023-040202	SCREW, M4X20		2				2		
12A	2	183731-74470	REGULATOR, VOLTAGE		1				1		W
(B=EXXX.)											
13	1	X2A05280KA0	ROTOR ASSY		1				1		
17	2	183740-74370	BEARING		1				1		
18	1	X3A06121K04	BOLT, THROUGH		4				4		
19	1	X3A06125K04	BOLT		1				1		
20	1	X3A06384K01	BAND		1				1		
21	1	26023-040162	SCREW, M4X16		3				3		

OCS10-M36101

Fig.15. GENERATOR (YDG5500E(E)-6EI)

(A)=YDG2700E-6EH (D)=YDG2700EE6EH  
 (B)=YDG3700E-6EI (E)=YDG3700EE6EI  
 (C)=YDG5500E-6EI (F)=YDG5500EE6EI



No.	Lev.	Parts No.	Description	Qty						I	R	
				(A)	(B)	(C)	(D)	(E)	(F)			
2	1	X3A06121K07	BOLT, THROUGH			4				4		
3	1	X3A06125K08	BOLT			1				1		
4	1	X3A06461K01	COVER			1				1		
5	1	X4A02751K02	BAND			1				1		
6	1	183984-74150	COVER			1				1		
7	1	183984-74220	STATOR ASSY			1						
7-1	1	183984-74221	STATOR ASSY (C=EA07331)			1				1	S	
8	2	X4M47065000	SCREW, M5X10			1				1		
8-1	2	183387-74260	SCREW (C=EZZZZZ)			1				1	N	
9	2	X5M17382000	BAND			2				2		
10	2	183984-74250	COVER			1				1		
11	2	183250-74271	BRUSH ASSY			1				1		
11-1	2	183250-74272	BRUSH ASSY (C=EZZZZZ)			1				1	N	
12	2	183984-74280	SCREW			2				2		
13	2	183984-74310	STATOR			1				1		
13-1	2	183984-74311	STATOR (C=EA07331)			1				1	S	
13-2	2	183984-74312	STATOR (C=EZZZZZ)			1				1	F	1
14	2	183820-74300	SCREW			2				2		
15	2	183533-74380	SCREW, M4X20 (C=MXXXXX)			2				2	Z	
16	2	183984-74380	SCREW (C=MXXXXX)			8				8	Z	
17	2	183884-74470	REGULATOR, VOLTAGE			1				1		
17-1	2	183884-74471	REGULATOR, VOLTAGE (C=EZZZZZ)			1				1	N	
17-2	2	183884-74472	AVR (C=EZZZZZ)			1				1	N	
18	2	183250-74460	RECTIFIER (C=EZZZZZ)			1				1		2
18-1	2	183387-74250	RECTIFIER (C=EZZZZZ)			1				1	S	
19	2	183984-74490	TERMINAL			1				1		
20	1	183984-74350	ROTOR ASSY			1				1		
24	2	183984-74370	BEARING, 5M56156			1				1		
25	1	26023-040162	SCREW, M4X16			3				3		
26	1	26106-080252	BOLT, M8X 25 PLATED			4				4		
27	1	184120-99100	RECTIFIER ASSY (C=*2013.05)			1				1	W	

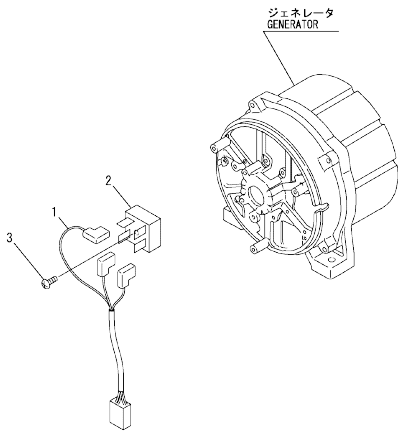
Remarks

- (1) Interchangeable by simultaneous replacement with No.27.
- (2) Interchangeable with No.27.

N:Old  $\frac{New}{Old}$  New, Q:Old  $\frac{New}{Old}$  New, R:Old  $\frac{New}{Old}$  New, S:Old  $\frac{New}{Old}$  New, W:Add, Z:Discontinued, F:Interchangeable by set, K:Qty Change  
 Copyright (C) YANMAR CO., LTD. All Rights Reserved.

OCS10-M36101

Fig.28. (15A)RECTIFIER & HARNESS(SPARE PARTS)



(A)=YDG2700E-6EH (D)=YDG2700EE6EH  
 (B)=YDG3700E-6EI (E)=YDG3700EE6EI  
 (C)=YDG5500E-6EI (F)=YDG5500EE6EI

No.	Lev.	Parts No.	Description	Q'ty						I	R
				(A)	(B)	(C)	(D)	(E)	(F)		
1	1	184120-99200	HARNESS ASSY (C=EZZZZZ)			1			1	W	
2	1	183387-74250	RECTIFIER (C=EZZZZZ)			1			1	W	
3	1	183387-74260	SCREW (C=EZZZZZ)			1			1	W	

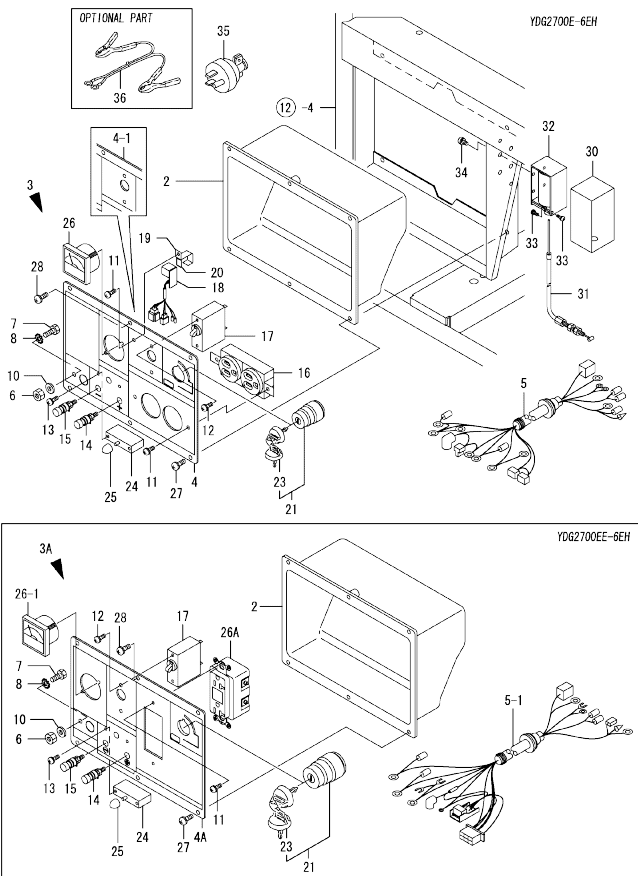
Remarks

\*This FIG applies to machines equipped with the old rectifier and in which the parts (new rectifier/wire harness assy/screw) have been replaced individually.

N:Old  $\frac{YDG}{10}$  New. Q:Old  $\frac{HE}{VCC}$  New. R:Old  $\frac{YDG}{10}$  New. S:Old  $\frac{10}{10}$  New. W:Add. Z:Discontinued. F:Interchangeable by set. K:Q'ty Change  
 Copyright (C) YANMAR CO., LTD. All Rights Reserved.

OCS10-M36101

Fig.16. PANEL (YDG2700E(E)-6EH)



Remarks  
 (1) OPTIONAL PART.  
 (2) NOT ILLUSTRATED.

(A)=YDG2700E-6EH (D)=YDG2700EE6EH  
 (B)=YDG3700E-6EI (E)=YDG3700EE6EI  
 (C)=YDG5500E-6EI (F)=YDG5500EE6EI

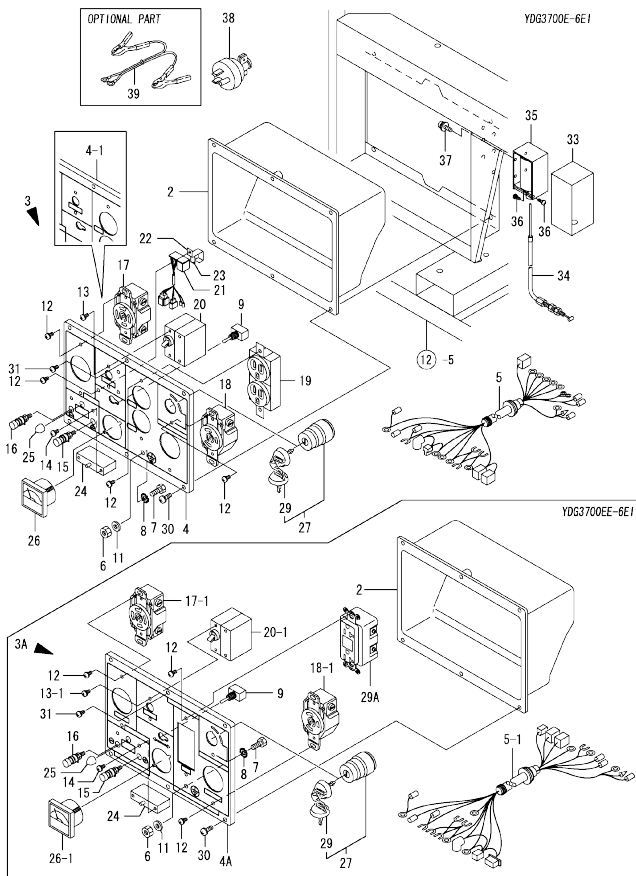
No.	Lev.	Parts No.	Description	Qty						I	R
				(A)	(B)	(C)	(D)	(E)	(F)		
2	1	X1A02279K01	BOX	1			1				
3	1	X1A02652KA0	PANEL ASSY	1							
3A	1	X1A04526KA0	PANEL ASSY						1		
4	2	X2A05305KA0	PANEL	1							
4-1	2	X2A05305KB0	PANEL	1							S
(A=EA18470)											
4A	2	X2A09144KA0	PANEL						1		
5	2	X2A05550KA0	HARNESS, WIRE	1							
5-1	2	X2A08092KA0	WIREHARNESS	1			1				S
(A=EA18470)											
6	2	X4A02757K01	NUT	1				1			
7	2	X4A05872K01	BOLT	1				1			
8	2	X4A05873K01	WASHER	1				1			Z
9	2	X4M57215000	CLAMP	1							Z 2
(A=EA18470)											
10	2	183350-55130	WASHER	1					1		
11	2	183976-91080	SCREW, M4X10	3					3		
12	2	183976-91090	SCREW, M3X5	2					2		
13	2	183976-91090	SCREW, M3X5	2					2		
14	2	183211-91160	TERMINAL	1					1		
15	2	183211-91170	TERMINAL	1					1		
16	2	183920-91320	SOCKET, 125VX2	1							
17	2	183789-96570	BREAKER, AC 21A	1					1		
18	2	183284-91600	RELAY ASSY	1							Z
(A=EA18470)											
19	2	183284-91680	HOLDER	1					1		
20	2	183284-91690	CUSHION	1					1		
21	2	183920-91450	SWITCH ASSY, KEY	1					1		
23	3	183920-91280	KEY, STARTER	1					1		
24	2	183284-96310	BREAKER, DC	1					1		
25	2	183284-96320	CAP. BREAKER	1					1		
26	2	183789-91280	METER	1							
26-1	2	X3A08407K04	VOLTMETER, 120V	1					1		R
(A=E-XXXX)											
26A	2	183965-91010	SOCKET						1		
26A-1	2	183965-91011	SOCKET						1		R
(D=E-XXXX)											
27	1	X4A01031K01	SCREW	4					4		
28	1	X4A05871K01	SCREW	2					2		
30	1	183250-66410	COVER	1					1		
31	1	X3A06352K03	WIRE	1					1		
32	1	183972-91690	SOLENOID	1					1		
33	1	26022-040082	SCREW, M4X 8	2					2		
34	1	26023-030082	SCREW, M3X 8	4					4		
35	1	183720-91750	PLUG, 125VX15A	2					2		1
36	1	183211-91880	CABLE, CHARGING	1					1		1

N:Old  $\frac{100}{100}$  New. Q:Old  $\frac{100}{100}$  New. R:Old  $\frac{100}{100}$  New. S:Old  $\frac{100}{100}$  New. W:Add. Z:Discontinued. F:Interchangeable by set. K:Qty Change  
 Copyright (C) YANMAR CO., LTD. All Rights Reserved.



OCS10-M36101

Fig.17. PANEL (YDG3700E(E)-6EI)



Remarks  
 (1) OPTIONAL PART.  
 (2) NOT ILLUSTRATED.

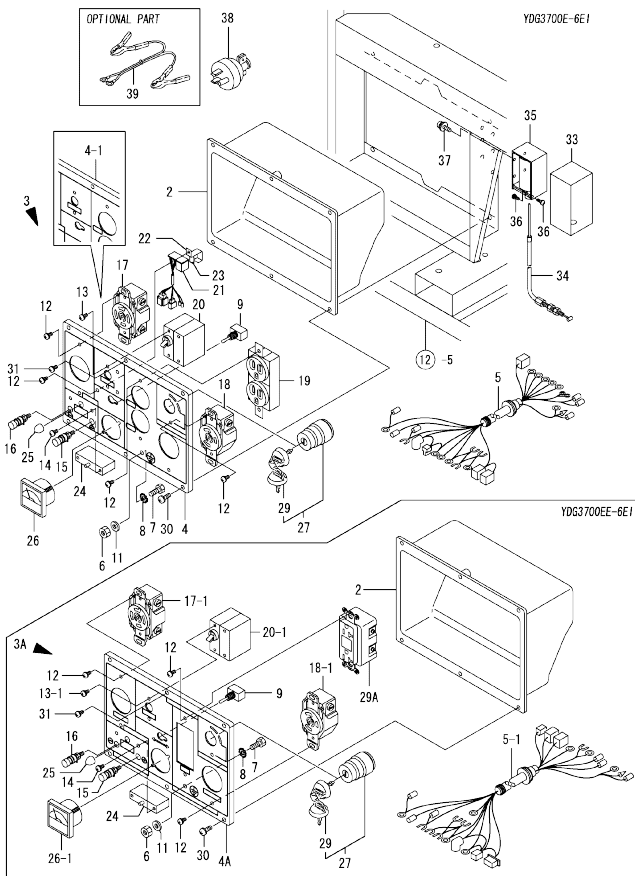
(A)=YDG2700E-6EH (D)=YDG2700EE6EH  
 (B)=YDG3700E-6EI (E)=YDG3700EE6EI  
 (C)=YDG5500E-6EI (F)=YDG5500EE6EI

No.	Lev.	Parts No.	Description	Qty						I	R	
				(A)	(B)	(C)	(D)	(E)	(F)			
2	1	X1A02279K01	BOX		1							
3	1	X1A02654KA0	PANEL ASSY		1							
3A	1	X1A04451KA0	PANEL ASSY					1				
4	2	X2A05311KA0	PANEL		1							
4-1	2	X2A08554KA0	PANEL		1							S
(B=EA13950)												
4A	2	X2A09010KA0	PANEL					1				
5	2	X2A05551KA0	HARNESS, WIRE		1							
5-1	2	X2A08093KA0	HARNESS, WIRE		1			1				S
(B=EA13950)												
6	2	X4A02757K01	NUT		1			1				
7	2	X4A05872K01	BOLT		1			1				
8	2	X4A05873K01	WASHER		1			1				
9	2	X4A05877K01	SWITCH		1			1				
10	2	X4M57215000	CLAMP		1							Z 2
(B=EA13950)												
11	2	183350-55130	WASHER		1			1				
12	2	183976-91080	SCREW, M4X10		7			7				
13	2	183976-91090	SCREW, M3X5		4							
13-1	2	183976-91090	SCREW, M3X5		2			2				K
(B=EA13950)												
14	2	183976-91090	SCREW, M3X5		2			2				
15	2	183211-91160	TERMINAL		1			1				
16	2	183211-91170	TERMINAL		1			1				
17	2	183660-91260	SOCKET, 4P		1							
17-1	2	X3A07789K01	SOCKET, AC 4P		1			1				N
(B=EXXX)												
18	2	183660-91270	SOCKET, 30A		1							
18-1	2	X3A07788K01	SOCKET, 3P		1			1				N
(B=EXXX)												
19	2	183920-91320	SOCKET, 125VX2		1							
20	2	X3A06298K01	BREAKER, AC 16A		1							
20-1	2	X3A10681K02	BREAKER, AC		1			1				S
(B=EA13950)												
21	2	183284-91600	RELAY ASSY		1							Z
(B=EA13950)												
22	2	183284-91680	HOLDER		1			1				
23	2	183284-91690	CUSHION		1			1				
24	2	183284-96310	BREAKER, DC		1			1				
25	2	183284-96320	CAP. BREAKER		1			1				
26	2	183789-91280	METER		1							
26-1	2	X3A08407K04	VOLTMETER, 120V		1			1				R
(B=EXXX)												
27	2	183920-91450	SWITCH ASSY, KEY		1			1				
29	3	183920-91280	KEY, STARTER		1			1				
29A	2	183965-91010	SOCKET									1
29A-1	2	183965-91011	SOCKET									1
(E=EXXX)												
30	1	X4A01031K01	SCREW		4			4				
31	1	X4A05871K01	SCREW		2			2				
33	1	183250-66410	COVER		1			1				

N:Old  $\frac{New}{Old}$  New, Q:Old  $\frac{New}{Old}$  New, R:Old  $\frac{New}{Old}$  New, S:Old  $\frac{New}{Old}$  New, W:Add, Z:Discontinued, F:Interchangeable by set, K:Qty Change  
 ++ CONTINUE ++  
 Copyright (C) YANMAR CO., LTD. All Rights Reserved.

OCS10-M36101

Fig.17. PANEL (YDG3700E(E)-6EI)



(A)=YDG2700E-6EH (D)=YDG2700EE6EH  
 (B)=YDG3700E-6EI (E)=YDG3700EE6EI  
 (C)=YDG5500E-6EI (F)=YDG5500EE6EI

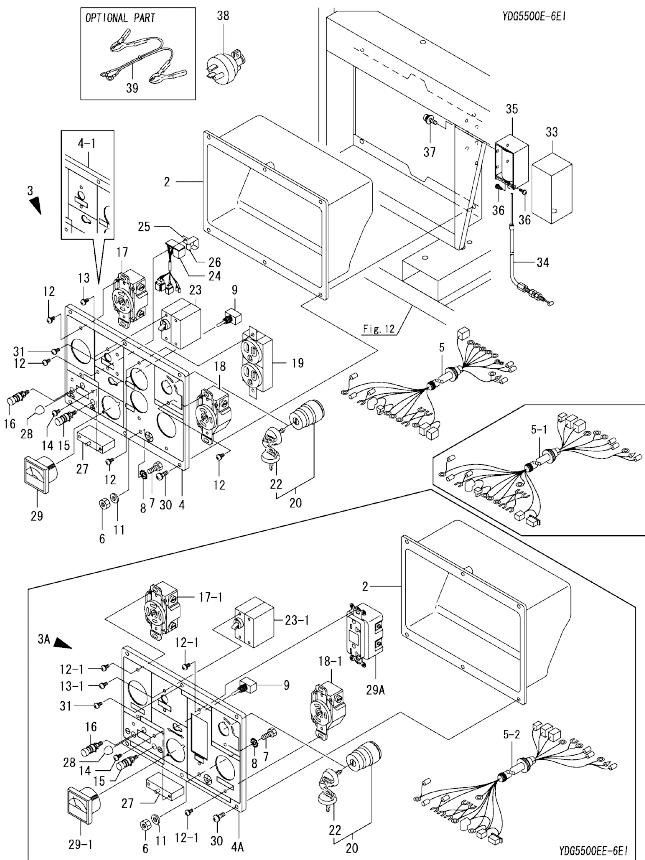
No.	Lev.	Parts No.	Description	Qty						I	R	
				(A)	(B)	(C)	(D)	(E)	(F)			
34	1	183285-66420	WIRE		1							
35	1	183972-91690	SOLENOID		1			1				
36	1	26022-040082	SCREW, M4X 8		2			2				
37	1	26023-030082	SCREW, M3X 8		4			4				
38	1	183720-91750	PLUG, 125VX15A		2			2			1	
39	1	183211-91880	CABLE, CHARGING		1			1			1	

Remarks  
 (1) OPTIONAL PART.  
 (2) NOT ILLUSTRATED.

N:Old  $\frac{YDG}{100}$  New, Q:Old  $\frac{H}{100}$  New, R:Old  $\frac{YDG}{100}$  New, S:Old  $\frac{H}{100}$  New, W:Add, Z:Discontinued, F:Interchangeable by set, K:Qty Change  
 Copyright (C) YANMAR CO., LTD. All Rights Reserved.

OCS10-M36101

Fig.18. PANEL (YDG5500E(E)-6EI)



Remarks  
 (1) Optional parts.  
 (2) Not illustrated.

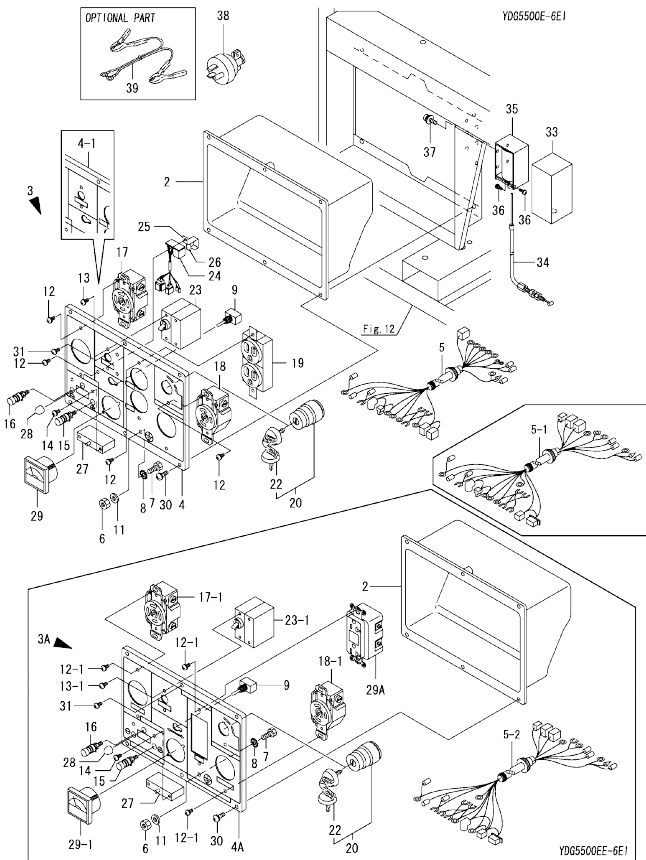
(A)=YDG2700E-6EH (D)=YDG2700EE6EH  
 (B)=YDG3700E-6EI (E)=YDG3700EE6EI  
 (C)=YDG5500E-6EI (F)=YDG5500EE6EI

No.	Lev.	Parts No.	Description	Q'ty						I	R	
				(A)	(B)	(C)	(D)	(E)	(F)			
2	1	X1A02279K01	BOX			1						
3	1	X1A02654KB0	PANEL ASSY			1						
3-1	1	X1A03773KB0	PANEL ASSY			1					S	
			(C=EA07331)									
3A	1	X1A04451KB0	PANEL ASSY							1		
4	2	X2A05311KA0	PANEL			1						
4-1	2	X2A08554KA0	PANEL			1					S	
			(C=EA08516)									
4A	2	X2A09010KA0	PANEL							1		
5	2	X2A05552KA0	HARNESS, WIRE			1						
5-1	2	X2A07519KA0	HARNESS, WIRE			1					S	
			(C=EA07331)									
5-2	2	X2A08094KA0	HARNESS, WIRE			1				1	S	
			(C=EA08516)									
6	2	X4A02757K01	NUT			1				1		
7	2	X4A05872K01	BOLT			1				1		
8	2	X4A05873K01	WASHER			1				1		
9	2	X4A05877K01	SWITCH			1				1		
10	2	X4M57215000	CLAMP			1					Z	2
			(C=EA08516)									
11	2	183350-55130	WASHER			1				1		
12	2	183976-91080	SCREW, M4X10			7						
12-1	2	183976-91080	SCREW, M4X10			5				5	K	
			(C=EA08516)									
13	2	183976-91090	SCREW, M3X5			4						
13-1	2	183976-91090	SCREW, M3X5			2				2	K	
			(C=EA08516)									
14	2	183976-91090	SCREW, M3X5			2				2		
15	2	183211-91160	TERMINAL			1				1		
16	2	183211-91170	TERMINAL			1				1		
17	2	183660-91260	SOCKET, 4P			1						
17-1	2	X3A07789K01	SOCKET, AC 4P			1				1	N	
			(C=EXXX)									
18	2	183660-91270	SOCKET, 30A			1						
18-1	2	X3A07788K01	SOCKET, 3P			1				1	N	
			(C=EXXX)									
19	2	183920-91320	SOCKET, 125VX2			1						
20	2	183920-91450	SWITCH ASSY, KEY			1				1		
22	3	183920-91280	KEY, STARTER			1				1		
23	2	183989-91580	BREAKER, AC 21A			1						
23-1	2	X3A10681K04	BREAKER, AC 22A			1				1	S	
			(C=EA08516)									
24	2	183284-91600	RELAY ASSY			1					Z	
			(C=EA08516)									
25	2	183284-91680	HOLDER			1				1		
26	2	183284-91690	CUSHION			1				1		
27	2	183284-96310	BREAKER, DC			1				1		
28	2	183284-96320	CAP. BREAKER			1				1		
29	2	183789-91280	METER			1						
29-1	2	X3A08407K04	VOLTMETER, 120V			1				1	R	
			(C=EXXX)									

N:Old  $\frac{New}{Old}$  New, Q:Old  $\frac{New}{Old}$  New, R:Old  $\frac{New}{Old}$  New, S:Old  $\frac{New}{Old}$  New, W:Add, Z:Discontinued, F:Interchangeable by set, K:Q'ty Change  
 ++ CONTINUE ++  
 Copyright (C) YANMAR CO., LTD. All Rights Reserved.

OCS10-M36101

Fig.18. PANEL (YDG5500E(E)-6EI)



(A)=YDG2700E-6EH (D)=YDG2700EE6EH  
 (B)=YDG3700E-6EI (E)=YDG3700EE6EI  
 (C)=YDG5500E-6EI (F)=YDG5500EE6EI

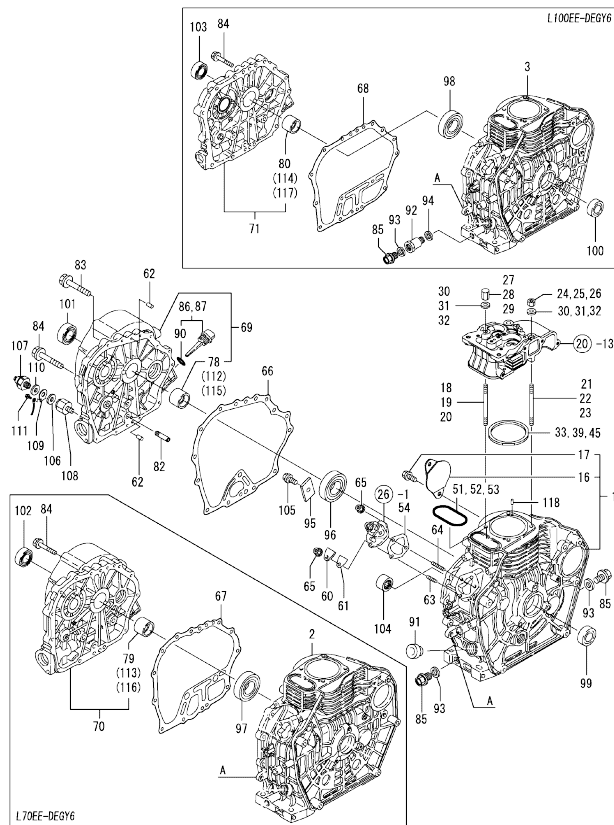
No.	Lev.	Parts No.	Description	Q'ty						I	R
				(A)	(B)	(C)	(D)	(E)	(F)		
29A	2	183965-91010	SOCKET							1	
29A-1	2	183965-91011	SOCKET							1	R
				(F=EXXX)							
30	1	X4A01031K01	SCREW			4				4	
31	1	X4A05871K01	SCREW			2				2	
33	1	183250-66410	COVER			1				1	
34	1	183984-66420	WIRE			1				1	
35	1	183972-91690	SOLENOID			1				1	
36	1	26022-040082	SCREW, M4X 8			2				2	
37	1	26023-030082	SCREW, M3X 8			4				4	
38	1	183720-91750	PLUG, 125VX15A			2				2	1
39	1	183211-91880	CABLE, CHARGING			1				1	1

Remarks  
 (1) Optional parts.  
 (2) Not illustrated.

N:Old  $\frac{New}{Old}$  New. Q:Old  $\frac{New}{Old}$  New. R:Old  $\frac{New}{Old}$  New. S:Old  $\frac{New}{Old}$  New. W:Add. Z:Discontinued. F:Interchangeable by set. K:Q'ty Change  
 Copyright (C) YANMAR CO., LTD. All Rights Reserved.

OCS10-M36101

Fig.19. CYLINDER BLOCK



Remarks

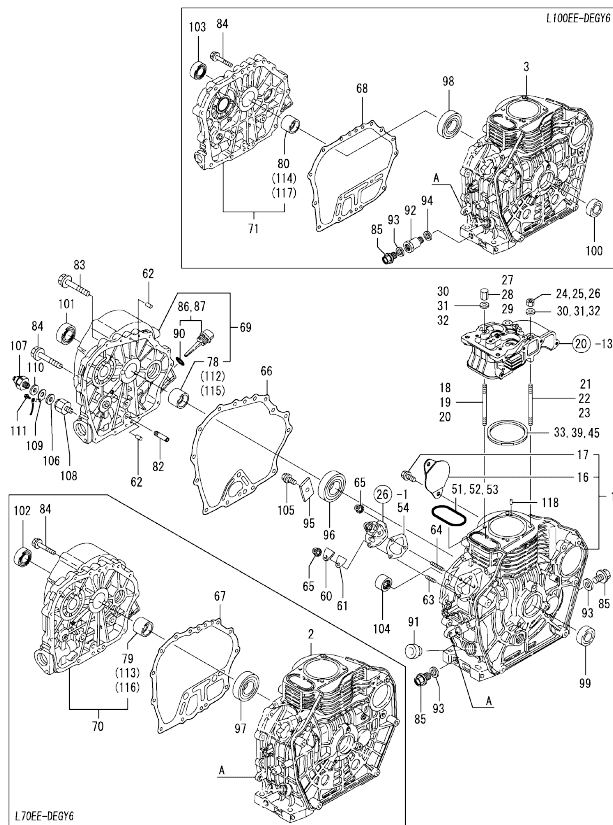
- (1) REPAIR PART.
- (2) UNDER-SIZE(U.S=0.25)PART.
- (3) UNDER-SIZE(U.S=0.50)PART.
- (4) A= REF.NO.1,2,3 M10 X 1.25, REF.NO.1-1,2-1,3-1 M14 X 1.25.

No.	Lev.	Parts No.	Description	Q'ty						I	R
				(A)	(B)	(C)	(D)	(E)	(F)		
1	1	714771-01560	BLOCK ASSY, CYLINDER								
1-1	1	714775-01560	BLOCK ASSY, CYLINDER				1				S 4
			(D=E05218)								
2	1	714871-01560	BLOCK ASSY, CYLINDER						1		S 4
2-1	1	714875-01560	BLOCK ASSY, CYLINDER						1		S 4
			(E=E02931)								
3	1	714970-01560	BLOCK ASSY, CYLINDER							1	
3-1	1	714655-01560	BLOCK ASSY, CYLINDER							1	S 4
			(F=E03994)								
16	2	114350-01700	COVER				1	1	1		
17	2	26106-100122	BOLT, M10X 12 PLATED				2	2	2		
18	1	114250-01200	BOLT, HEAD				2				
18-1	1	114299-01200	BOLT, HEAD				2				R
			(D=E05218)								
19	1	114350-01200	BOLT, HEAD					2			
20	1	114650-01230	BOLT, HEAD						2		
21	1	114250-01210	BOLT, HEAD				2				
21-1	1	114299-01210	BOLT, HEAD				2				R
			(D=E05218)								
22	1	114350-01210	BOLT, HEAD					2			
23	1	114650-01240	BOLT, HEAD						2		
24	1	114250-01221	NUT, CYLINDER HEAD				2				
24-1	1	114299-01220	NUT, CYLINDER HEAD A				2				R
			(D=E05218)								
25	1	114350-01220	NUT, CYLINDER HEAD					2			
25-1	1	114399-01220	NUT, CYLINDER HEAD A					2			R
			(E=E05218)								
26	1	105025-01220	NUT, CYLINDER HEAD						2		
27	1	114250-01251	NUT, CAP				2				
27-1	1	114299-01230	NUT, CYLINDER HEAD B				2				R
			(D=E05218)								
28	1	114350-01250	NUT, CYLINDER HEAD					2			
28-1	1	114399-01230	NUT, CYLINDER HEAD B					2			R
			(E=E05218)								
29	1	114650-01250	NUT, CYLINDER HEAD						4		2
30	1	124950-01250	WASHER						4		
31	1	105225-01240	WASHER						4		
31-1	1	114399-01250	WASHER						4		R
			(E=E05218)								
32	1	114650-01260	WASHER							4	
33	1	114771-01330	GASKET SET, HEAD				1				
39	1	114871-01330	GASKET SET, HEAD					1			
45	1	114651-01330	GASKET SET, HEAD							1	
51	1	114250-01380	O-RING					1			
51-1	1	114299-01380	O-RING					1			R
			(D=E05218)								
52	1	114350-01380	O-RING						1		
52-1	1	114399-01380	O-RING						1		R
			(E=E05218)								
53	1	114650-01380	O-RING							1	
54	1	114250-01800	SHIM SET				1	1	1		

N:Old  $\frac{New}{Old}$  New, Q:Old  $\frac{New}{Old}$  New, R:Old  $\frac{New}{Old}$  New, S:Old  $\frac{New}{Old}$  New, W:Add, Z:Discontinued, F:Interchangeable by set, K:Q'ty Change  
 ++ CONTINUE ++  
 Copyright (C) YANMAR CO., LTD. All Rights Reserved.

OCS10-M36101

Fig.19. CYLINDER BLOCK



Remarks

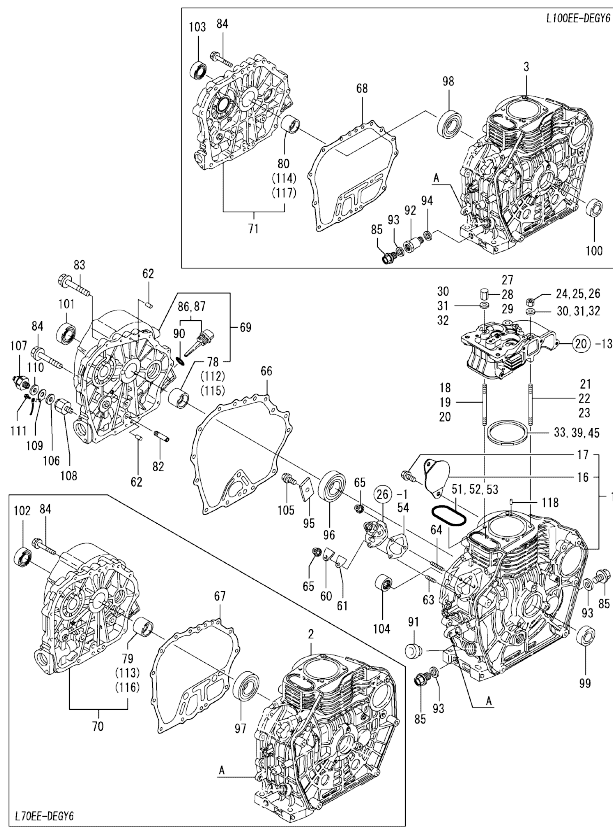
- (1) REPAIR PART.
- (2) UNDER-SIZE(U.S=0.25)PART.
- (3) UNDER-SIZE(U.S=0.50)PART.
- (4) A= REF.NO.1,2,3 M10 X 1.25, REF.NO.1-1,2-1,3-1 M14 X 1.25.

No.	Lev.	Parts No.	Description	Q'ty						I	R
				(A)	(B)	(C)	(D)	(E)	(F)		
54-1	1	114299-01800	SHIM SET				1	1			R
60	1	114250-01830	COVER	(D=EXXX)	(E=EXXX)				1	1	1
60-1	1	114299-01830	COVER						1	1	R
61	1	114250-01841	GASKET	(D=EXXX)	(E=EXXX)				1	1	1
61-1	1	114299-01840	GASKET						1	1	R
62	1	114270-01600	PIN, M8X12	(D=EXXX)	(E=EXXX)		2	2	2		
63	1	26226-060182	STUD, M6X 18						1	1	1
64	1	26226-060222	STUD, M6X 22				2	2	2		
65	1	26366-060002	NUT, M6				3	3	3		
66	1	114250-01412	GASKET, CRANK CASE						1		
67	1	114350-01412	GASKET, CRANK CASE						1		
68	1	114650-01412	GASKET							1	
69	1	183250-01451	COVER, CRANK CASE						1		
70	1	183350-01451	COVER, CRANK CASE						1		
71	1	114660-01471	COVER, CRANK CASE							1	
78	2	114250-02100	BEARING, MAIN						1		1
79	2	114350-02100	BEARING, MAIN						1		1
80	2	114650-02100	BEARING, MAIN							1	1
82	1	114250-35150	PIPE, OIL INLET				1	1	1		
83	1	26106-060252	BOLT, M6X 25 PLATED				14				
84	1	26106-080352	BOLT, M8X 35 PLATED				1	15	16		
85	1	105425-01690	PLUG, 16				2	2	2		
86	1	114299-01760	CAP ASSY				1				
87	1	114699-01760	CAP ASSY						1	1	
90	2	114299-01950	O-RING, 18				1	1	1		
91	1	160110-01870	PLUG, RUBBER				1	1	1		
92	1	183279-08350	NIPPLE, DRAIN							1	
93	1	22190-160002	WASHER, SEAL 16				2	2	2		
94	1	22190-160002	WASHER, SEAL 16							2	
95	1	114299-02030	RETAINER, BEARING				1	1	1		
96	1	114250-02113	BEARING, HR6306G3C3				1				
97	1	114350-02113	BEARING, B35-135G3C3						1		
98	1	114650-02150	BEARING, HR6308G3C3							1	
99	1	160110-02220	SEAL, OIL				1	1			
100	1	24423-355008	SEAL, OIL TC355008							1	
101	1	160210-02220	SEAL, 25X41.2X8				1				
102	1	160110-02220	SEAL, OIL						1		
103	1	24423-355008	SEAL, OIL TC355008							1	
104	1	24162-152112	BEARING, 152112				1	1	1		
105	1	26106-080122	BOLT, M8X 12 PLATED				1	1	1		
106	1	183366-08290	WASHER				1	1	1		
107	1	183250-39450	SWITCH, 1.0KG				1	1	1		
108	1	183366-39460	JOINT				1	1	1		
109	1	171022-39470	TERMINAL, EARTH				1	1	1		
110	1	22117-100000	WASHER, 10				1	1	1		
111	1	26557-040082	SCREW, M4X 8				1	1	1		
112	1	114250-02200	BEARING, 0.25 US				1				2
113	1	114350-02200	BEARING, 0.25 US						1		2

N:Old  $\frac{New}{Old}$  New, Q:Old  $\frac{New}{Old}$  New, R:Old  $\frac{New}{Old}$  New, S:Old  $\frac{New}{Old}$  New, W:Add, Z:Discontinued, F:Interchangeable by set, K:Q'ty Change  
 ++ CONTINUE ++  
 Copyright (C) YANMAR CO., LTD. All Rights Reserved.

OCS10-M36101

Fig.19. CYLINDER BLOCK



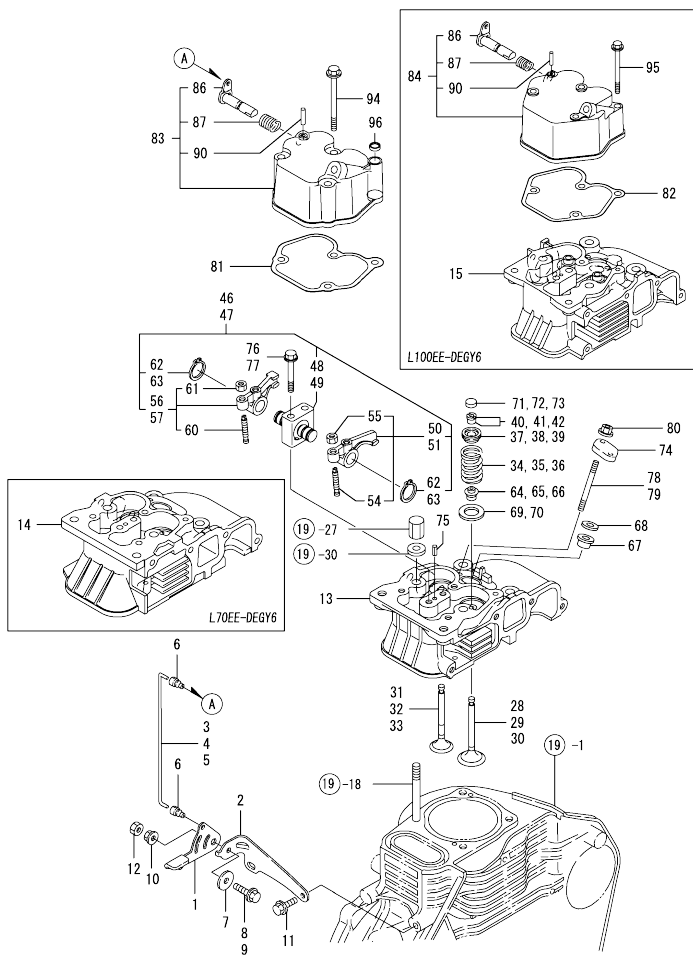
(A)=L48AE-DEGY6B (D)=L48EE-DEGY6  
 (B)=L70AE-DEGY6B (E)=L70EE-DEGY6  
 (C)=L100AEDEGY6B (F)=L100EE-DEGY6

No.	Lev.	Parts No.	Description	Q'ty						I	R
				(A)	(B)	(C)	(D)	(E)	(F)		
114	1	114650-02200	BEARING, 0.25 US						1		2
115	1	114250-02210	BEARING, 0.50 US					1			3
116	1	114350-02210	BEARING, 0.50 US						1		3
117	1	114650-02210	BEARING, 0.50 US							1	3
118	1	22312-040080	PIN, PARALLEL M4X 8				2	2		2	3

Remarks  
 (1) REPAIR PART.  
 (2) UNDER-SIZE(U.S=0.25)PART.  
 (3) UNDER-SIZE(U.S=0.50)PART.  
 (4) A= REF.NO.1,2,3 M10 X 1.25,  
 REF.NO.1-1,2-1,3-1 M14 X 1.25.

N:Old  $\frac{100}{100}$  New. Q:Old  $\frac{100}{100}$  New. R:Old  $\frac{100}{100}$  New. S:Old  $\frac{100}{100}$  New. W:Add. Z:Discontinued. F:Interchangeable by set. K:Q'ty Change  
 Copyright (C) YANMAR CO., LTD. All RightsReserved.

Fig.20. CYLINDER HEAD & BONNET

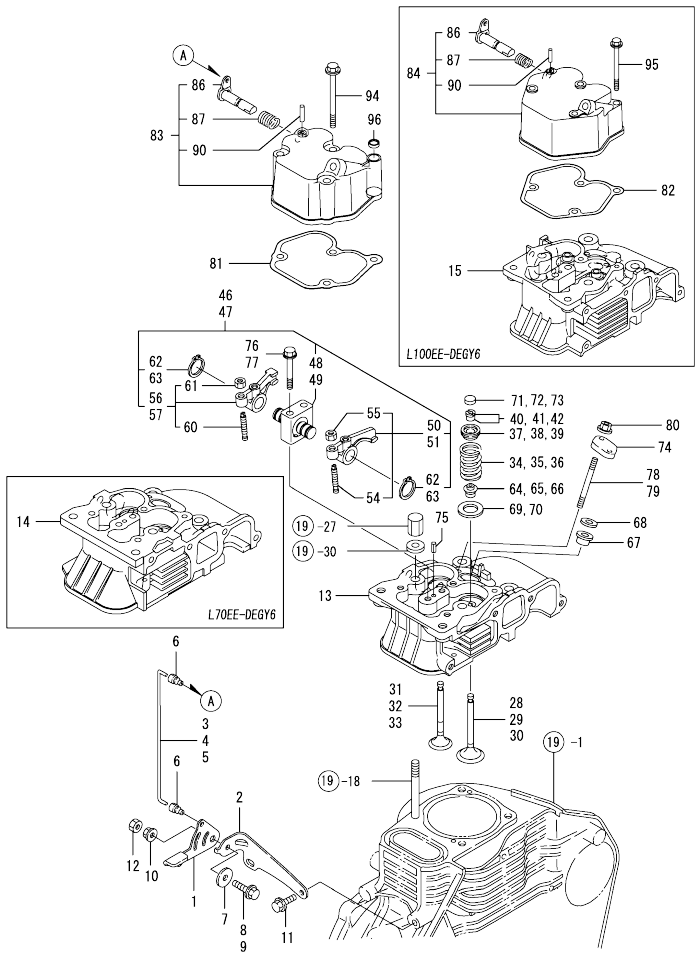


No.	Lev.	Parts No.	Description	Qty						I	R
				(A)	(B)	(C)	(D)	(E)	(F)		
1	1	183250-03410	LEVER, DECOMPRESSION				1	1	1		
2	1	183250-03450	BRACKET, LEVER				1	1	1		
3	1	183250-03510	LINK				1				
4	1	183350-03510	LINK					1			
5	1	183650-03510	LINK							1	
6	1	183250-03550	JOINT				2	2	2		
7	1	160670-66350	COLLAR				1	1	1		
8	1	26106-060202	BOLT, M6X 20 PLATED				1	1			
9	1	26106-060122	BOLT, M6X 12 PLATED							1	
10	1	26366-060002	NUT, M6				1	1	1		
11	1	26476-060142	SCREW, TAPPING M6X14				2	2	2		
12	1	26756-060002	NUT, LOCK M6				1	1			
13	1	114771-11020	HEAD ASSY, CYLINDER				1				
14	1	114871-11020	HEAD ASSY, CYLINDER					1			
15	1	114651-11020	HEAD ASSY, CYLINDER							1	
28	1	114771-11100	VALVE, INTAKE				1				
29	1	114871-11100	VALVE, INTAKE					1			
30	1	114650-11100	VALVE, INTAKE							1	
31	1	114771-11110	VALVE, EXHAUST				1				
32	1	114871-11110	VALVE, EXHAUST					1			
33	1	114651-11110	VALVE, EXHAUST							1	
34	1	114250-11120	SPRING, VALVE					2			
35	1	114350-11120	SPRING, VALVE					2			
36	1	114650-11121	SPRING, VALVE						2		
37	1	114250-11180	RETAINER, SPRING				2				
38	1	101158-11180	RETAINER, SPRING					2			
39	1	119620-11180	RETAINER, SPRING						2		
40	1	27310-055001	COTTER, 5.5				2				
41	1	27310-060001	COTTER, 6					2			
42	1	27310-070001	COTTER, 7						2		
46	1	114771-11250	SUPPORT ASSY, ARM				1	1			
47	1	114651-11250	SUPPORT ASSY, ARM							1	
48	2	114771-11260	SUPPORT, ROCKER ARM				1	1			
49	2	114651-11260	SUPPORT, ROCKER ARM							1	
50	2	114771-11650	ARM, ROCKER				1	1			
51	2	114651-11650	ARM, ROCKER							1	
54	3	114250-11240	SCREW, VALVE ADJUST				1	1	1		
55	3	26856-060002	NUT, M6				1	1	1		
56	2	114771-11660	ARM, ROCKER				1	1			
57	2	114651-11660	ARM, ROCKER							1	
60	3	114250-11240	SCREW, VALVE ADJUST				1	1	1		
61	3	26856-060002	NUT, M6				1	1	1		
62	2	22242-000120	RING, 12				2	2			
63	2	22242-000150	RING, 15							2	
64	1	114250-11340	SEAL, VALVE STEM				2				
65	1	114350-11340	SEAL, VALVE STEM					2			
66	1	114650-11340	SEAL, VALVE STEM							2	
67	1	114771-11461	GASKET, NOZZLE				1	1	1		
68	1	114771-11470	SPACER, NOZZLE				1	1	1		
69	1	114250-11600	WASHER				2	2			
70	1	114650-11600	WASHER							2	

N:Old  $\frac{New}{Old}$  New, Q:Old  $\frac{New}{Old}$  New, R:Old  $\frac{New}{Old}$  New, S:Old  $\frac{New}{Old}$  New, W:Add, Z:Discontinued, F:Interchangeable by set, K:Qty Change  
 ++ CONTINUE ++  
 Copyright (C) YANMAR CO., LTD. All Rights Reserved.



Fig.20. CYLINDER HEAD & BONNET

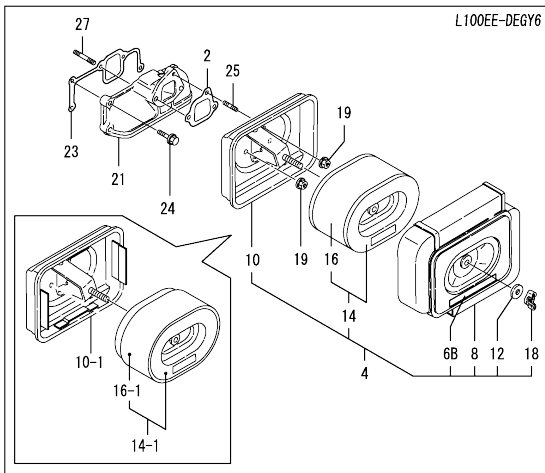
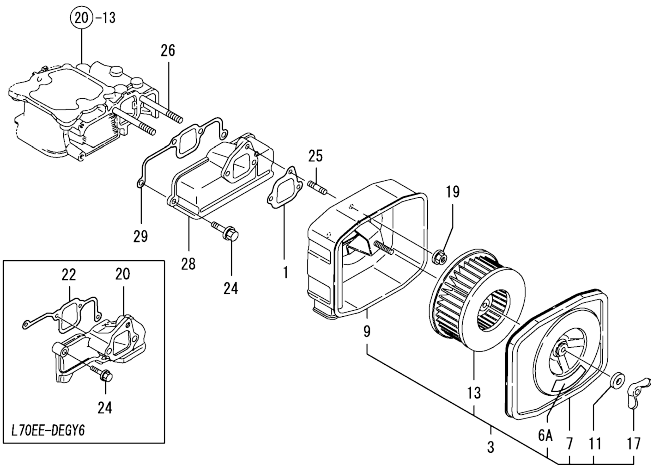


No.	Lev.	Parts No.	Description	Qty						I	R	
				(A)	(B)	(C)	(D)	(E)	(F)			
71	1	119260-11370	CAP. VALVE				2					
72	1	105010-11490	CAP. VALVE					2				
73	1	104211-11370	CAP. VALVE							2		
74	1	114250-11901	RETAINER, NOZZLE					1	1	1		
75	1	22351-040008	PIN, SPRING 4.0X 8					1	1	1		
76	1	26106-060452	BOLT, M6X 45 PLATED				2	2				
77	1	26106-080552	BOLT, M8X 55 PLATED							2		
78	1	26226-060652	STUD, M6X 65				2					
78-1	1	114718-11910	STUD, M6X65				2				N	
(D=E10221)												
79	1	26226-060552	STUD, M6X 55						2	2		
80	1	26366-060002	NUT, M6				2	2	2			
81	1	114771-11310	GASKET, BONNET				1	1				
82	1	114651-11310	GASKET, BONNET								1	
83	1	114771-11980	BONNET ASSY, HEAD				1	1				
84	1	114651-11960	BONNET ASSY, HEAD								1	
86	2	183250-03601	SHAFT, DECOMPRESSION				1	1	1	1		
87	2	114250-03640	SPRING, DECOMPRESSION				1	1	1	1		
90	2	22312-030160	PIN, PARALLEL M3X16					1	1	1		
94	1	26106-060552	BOLT, M6X 55 PLATED				3	3				
95	1	26106-060702	BOLT, M6X 70 PLATED								3	
96	1	129100-61850	PLUG, 12					1	1			

N:Old  $\frac{100}{100}$  New, Q:Old  $\frac{100}{100}$  New, R:Old  $\frac{100}{100}$  New, S:Old  $\frac{100}{100}$  New, W:Add, Z:Discontinued, F:Interchangeable by set, K:Qty Change  
 Copyright (C) YANMAR CO., LTD. All Rights Reserved.

OCS10-M36101

Fig.21. AIR CLEANER



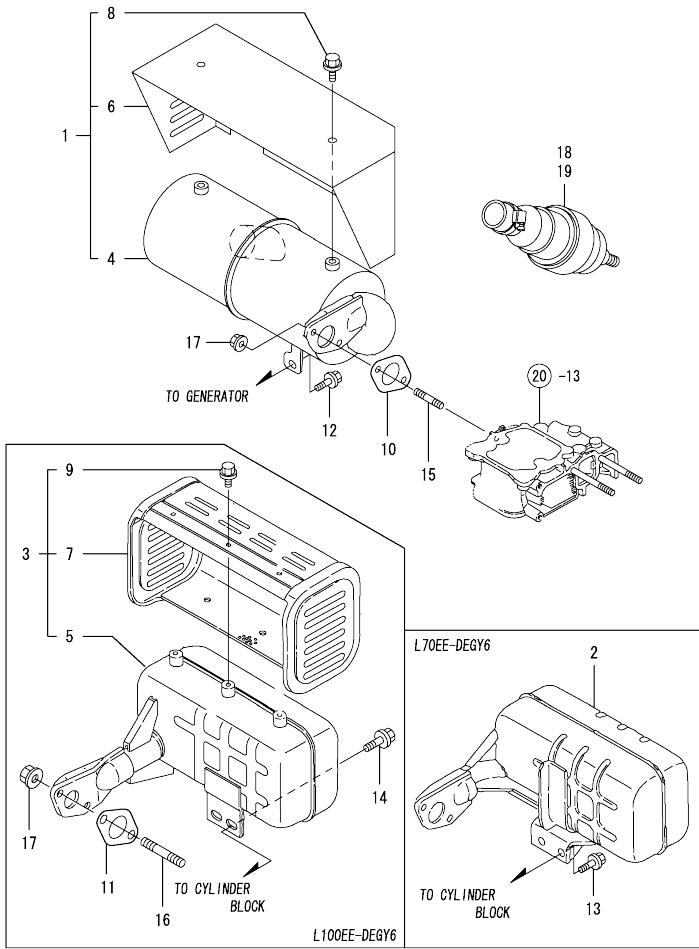
(A)=L48AE-DEGY6B (D)=L48EE-DEGY6  
 (B)=L70AE-DEGY6B (E)=L70EE-DEGY6  
 (C)=L100AEDEGY6B (F)=L100EE-DEGY6

No.	Lev.	Parts No.	Description	Q'ty						I	R
				(A)	(B)	(C)	(D)	(E)	(F)		
1	1	114250-12211	GASKET, AIR CLEANER				1	1			
2	1	114650-12211	GASKET, AIR CLEANER						1		
3	1	714250-12560	CLEANER ASSY, AIR				1	1			
4	1	714650-12560	CLEANER ASSY, AIR						1		
4-1	1	714650-12561	CLEANER ASSY, AIR						1	N	
											(F=E06685)
6A	2	114770-07450	LABEL, AIR CLEANER				1	1			W
			(D=E08381)								(E=E04009)
6B	2	114650-07450	LABEL, AIR CLEANER						1		W
											(F=E06685)
7	2	114250-12520	COVER, AIR CREAMER				1	1			
8	2	114650-12520	COVER, AIR CREAMER						1		
9	2	114250-12530	CASE ASSY, CLEANER				1	1			
10	2	114650-12530	CASE ASSY, CLEANER						1		
10-1	2	114650-12531	CASE ASSY, CLEANER						1		S
											(F=E06685)
11	2	114250-12560	WASHER, SEAL M6				1	1			
12	2	114252-12560	WASHER, SEAL M8						1		
13	2	114250-12580	ELEMENT				1	1			
13-1	2	114250-12581	ELEMENT				1	1			R
											(D=E08381) (E=E04009)
14	2	114650-12590	ELEMENT ASSY								1
14-1	2	114650-12591	ELEMENT ASSY								1 S
											(F=E06685)
16	3	114650-12550	FILTER, PRE						1		
16-1	3	114650-12551	FILTER, PRE						1		S
											(F=E06685)
17	2	114250-12550	NUT, WING M6				1	1			
18	2	114252-12550	NUT, WING M8						1		
19	1	114250-12300	NUT				3	3	3		
20	1	114399-12010	PIPE, AIR INTAKE						1		
21	1	114699-12020	PIPE, AIR INTAKE						1		
22	1	114350-12202	GASKET, AIR INTAKE						1		
23	1	114650-12301	GASKET								1
24	1	26106-060252	BOLT, M6X 25 PLATED				2	2	3		
25	1	26226-060142	STUD, M6X 14				1	1	1		
26	1	26226-060552	STUD, M6X 55				2	2			
27	1	26226-060752	STUD, M6X 75								2
28	1	114771-12010	PIPE, AIR INTAKE						1		
29	1	114771-12200	GASKET						1		

N:Old  $\frac{100}{100}$  New. Q:Old  $\frac{100}{100}$  New. R:Old  $\frac{100}{100}$  New. S:Old  $\frac{100}{100}$  New. W:Add. Z:Discontinued. F:Interchangeable by set. K:Q'ty Change  
 Copyright (C) YANMAR CO., LTD. All Rights Reserved.

OCS10-M36101

Fig.22. MUFFLER

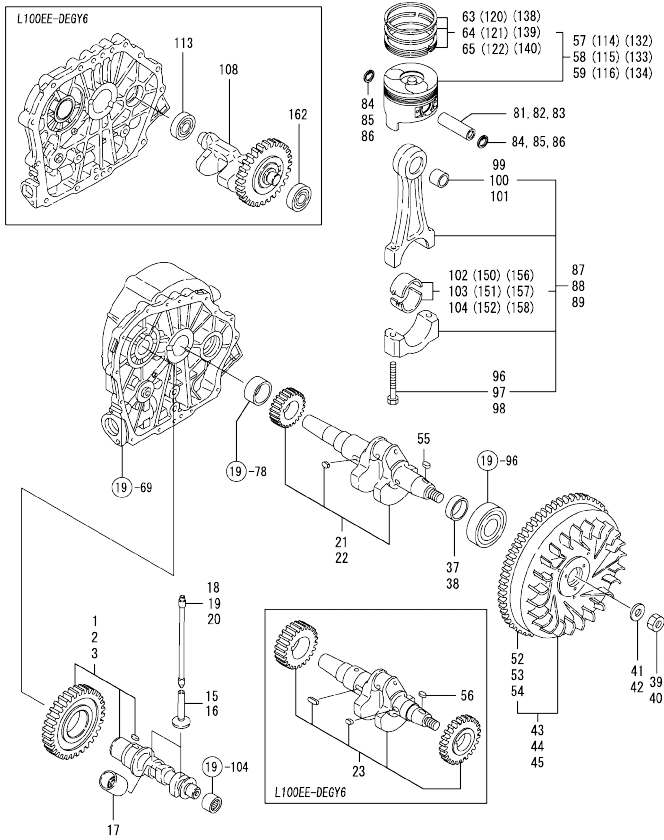


No.	Lev.	Parts No.	Description	Qty						I	R	
				(A)	(B)	(C)	(D)	(E)	(F)			
1	1	183284-13050	MUFFLER ASSY				1					
2	1	183854-13510	MUFFLER ASSY					1				
3	1	183650-13500	MUFFLER ASSY							1	N	
3-1	1	183650-13501	MUFFLER ASSY									
4	2	183284-13500	MUFFLER				1					(F=E02816)
5	2	183650-13510	MUFFLER							1		
5-1	2	183650-13511	MUFFLER								1	N
6	2	183284-13550	COVER					1				
7	2	183650-13700	COVER							1		
8	2	114252-13950	BOLT, M6X8					4				
9	2	26106-060082	BOLT, M6X 8 PLATED							6		
10	1	114250-13201	GASKET, MUFFLER					1	1			
11	1	114650-13201	GASKET								1	
12	1	26106-080162	BOLT, M8X 16 PLATED					1				
13	1	26106-060162	BOLT, M6X 16 PLATED							2		
14	1	26106-080182	BOLT, M8X 18 PLATED									2
15	1	26216-080182	STUD, M8X 18					2	2			
16	1	26216-080182	STUD, M8X 18							2	2	2
17	1	26366-080002	NUT, M8					2	2	2		
17-1	1	26306-080002	NUT, M8					2	2	2		N
18	1	183250-13300	ARRESTER	(D=EXXX)		(E=EXXX)						(F=EXXX)
19	1	183650-13300	ARRESTER				1	1				1

N:Old  $\frac{New}{Old}$  New, Q:Old  $\frac{New}{Old}$  New, R:Old  $\frac{New}{Old}$  New, S:Old  $\frac{New}{Old}$  New, W:Add, Z:Discontinued, F:Interchangeable by set, K:Qty Change  
 Copyright (C) YANMAR CO., LTD. All Rights Reserved.

OCS10-M36101

Fig.23. CRANKSHAFT,PISTON & CAMSHAFT



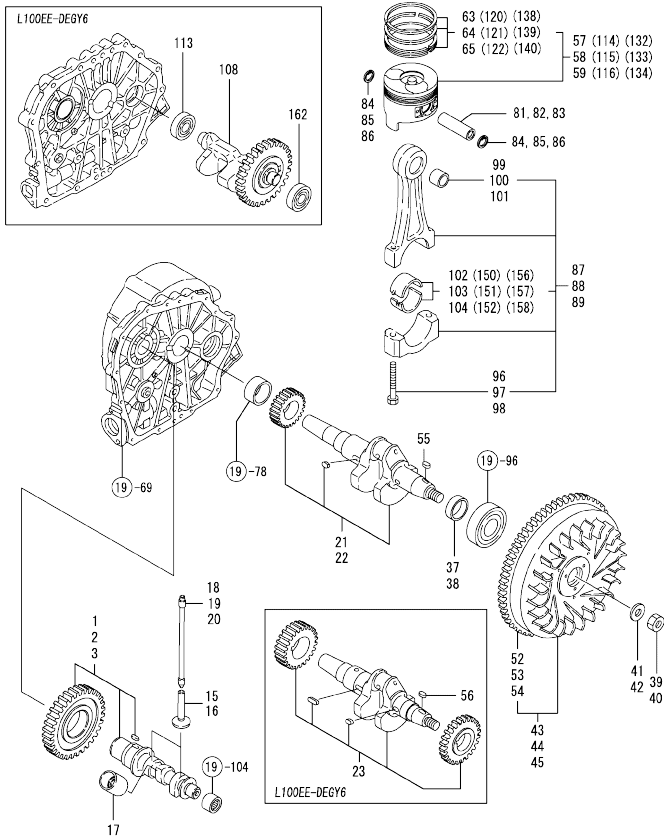
No.	Lev.	Parts No.	Description	Q'ty						I	R
				(A)	(B)	(C)	(D)	(E)	(F)		
1	1	714471-14580	CAMSHAFT ASSY								
1-1	1	714471-14581	CAMSHAFT ASSY, D (D=EZZZZZ)				1				R
2	1	714880-14580	CAMSHAFT ASSY					1			
3	1	714689-14580	CAMSHAFT ASSY						1		
15	1	114250-14200	TAPPET			2	2				
16	1	114650-14200	TAPPET							2	
17	1	114771-14260	TAPPET				1	1	1		
18	1	114250-14450	ROD ASSY, PUSH			2					
18-1	1	114250-14451	ROD ASSY, PUSH (D=E08804)			2					R
19	1	114350-14450	ROD ASSY, PUSH					2			
19-1	1	114350-14451	ROD ASSY, PUSH (E=E04156)					2			R
20	1	114650-14401	ROD ASSY, PUSH (E=E04156)						2		
20-1	1	114650-14402	ROD ASSY, PUSH (F=E06939)							2	R
21	1	714774-21710	CRANKSHAFT ASSY				1				
22	1	714875-21700	CRANKSHAFT ASSY					1			
23	1	714656-21700	CRANKSHAFT ASSY							1	
37	1	183250-21350	SPACER, CRANKSHAFT				1				
38	1	183350-21350	SPACER, CRANKSHAFT					1			
39	1	103854-01221	NUT, CYLINDER HEAD				1	1			
40	1	122710-01220	NUT, CYLINDER HEAD							1	
41	1	114250-21550	WASHER				1	1			
42	1	114650-21551	WASHER							1	
43	1	114781-21590	FLYWHEEL ASSY				1				
43-1	1	114299-21590	FLYWHEEL ASSY (D=E07102)					1			R
44	1	114881-21590	FLYWHEEL ASSY						1		
44-1	1	114399-21590	FLYWHEEL ASSY (E=E03780)						1		R
45	1	114662-21593	FLYWHEEL ASSY							1	
45-1	1	114699-21590	FLYWHEEL ASSY (F=E05625)							1	R
52	2	114262-21600	GEAR, RING				1				
53	2	114362-21600	GEAR, RING					1			
54	2	114662-21601	GEAR, RING							1	
55	1	22512-040120	KEY, 4X 12				1	1			
56	1	22512-050140	KEY, 5X 14							1	
57	1	714772-22720	PISTON ASSY, D				1				
58	1	714872-22720	PISTON ASSY, D						1		
58-1	1	714872-22721	PISTON ASSY, D (E=E04939)						1		N
59	1	714652-22720	PISTON ASSY, D							1	
63	2	714770-22500	RING SET, PISTON				1				
64	2	714870-22500	RING SET, PISTON						1		
64-1	2	714870-22501	RING SET, PISTON (E=E02930)						1		N
64-2	2	714870-22502	RING SET, PISTON (E=E04939)						1		N

Remarks  
 (1) OVER-SIZE(O.S.=0.25)PART.  
 (2) OVER-SIZE(O.S.=0.50)PART.  
 (3) UNDER-SIZE(U.S.=0.25)PART.  
 (4) UNDER-SIZE(U.S.=0.50)PART.

N:Old  $\frac{New}{Old}$  New, Q:Old  $\frac{New}{Old}$  New, R:Old  $\frac{New}{Old}$  New, S:Old  $\frac{New}{Old}$  New, W:Add, Z:Discontinued, F:Interchangeable by set, K:Q'ty Change  
 ++ CONTINUE ++  
 Copyright (C) YANMAR CO., LTD. All Rights Reserved.

OCS10-M36101

Fig.23. CRANKSHAFT,PISTON & CAMSHAFT



(A)=L48AE-DEGY6B (D)=L48EE-DEGY6  
 (B)=L70AE-DEGY6B (E)=L70EE-DEGY6  
 (C)=L100AEDEGY6B (F)=L100EE-DEGY6

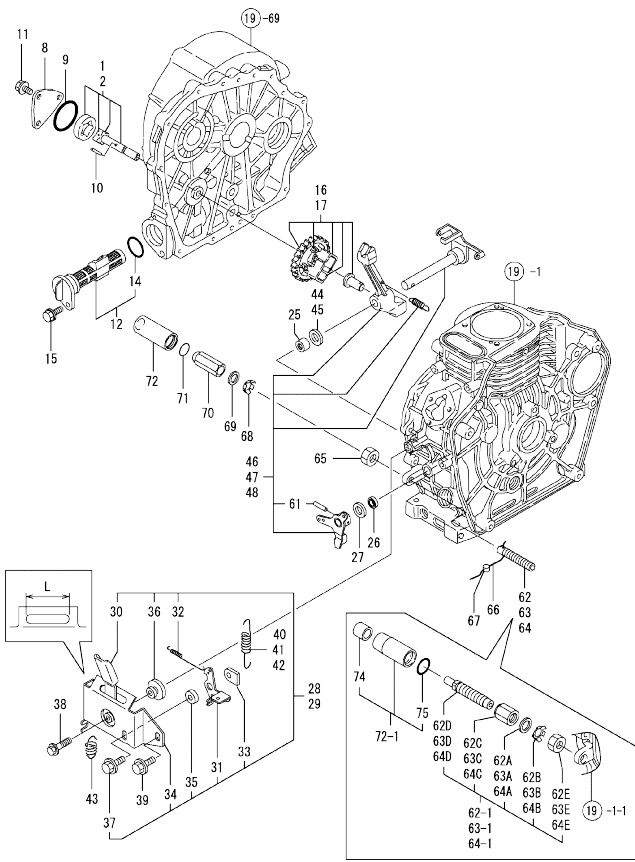
No.	Lev.	Parts No.	Description	Qty						I	R
				(A)	(B)	(C)	(D)	(E)	(F)		
65	2	714970-22500	RING SET, PISTON							1	
81	1	114299-22300	PIN, PISTON D=19				1				
82	1	114399-22300	PIN, PISTON D=21					1			
83	1	114699-22300	PIN, PISTON D=23							1	
84	1	22252-000190	RING, 19				2				
85	1	22252-000210	RING, 21					2			
86	1	129792-22400	CIRCLIP, 23								2
87	1	714770-23700	ROD ASSY, CONNECTING				1				
87-1	1	71477G-23700	ROD ASSY, CONNECTING				1				N
88	1	714380-23700	ROD ASSY, CONNECTING (D=E10557)					1			
88-1	1	71438G-23700	ROD ASSY, CONNECTING					1			N
89	1	714650-23700	ROD ASSY, CONNECTING (E=E04939)							1	
89-1	1	71465G-23700	ROD ASSY, CONNECTING							1	N
96	2	119265-23200	BOLT, CONNECTING ROD (F=E08581)					2			
97	2	118200-23200	BOLT, CONNECTING ROD						2		
98	2	105300-23200	BOLT, CONNECTING ROD							2	
99	2	124060-23100	BEARING, PISTON PIN							1	
100	2	114770-23100	BEARING, PISTON PIN				1				
101	2	114380-23100	BEARING, PISTON PIN					1			
102	2	714770-23600	BEARING, CRANK PIN				1				
103	2	714380-23600	BEARING, CRANK PIN						1		
104	2	714650-23600	BEARING, CRANK PIN							1	
108	1	714970-28511	SHAFT ASSY, BALANCER							1	
113	1	24101-062034	BEARING, BALL 6203							1	
114	1	114772-22040	PISTON ASSY, 0.25 OS				1				1
115	1	114872-22040	PISTON ASSY, 0.25 OS					1			1
116	1	114652-22040	PISTON ASSY, 0.25 OS						1		1
120	2	114772-22140	RING SET, 0.25 OS				1				1
121	2	114872-22140	RING SET, 0.25 OS					1			1
122	2	114652-22140	RING SET, 0.25 OS						1		1
132	1	114772-22050	PISTON ASSY, 0.50 OS				1				2
133	1	114872-22050	PISTON ASSY, 0.50 OS					1			2
134	1	114652-22050	PISTON ASSY, 0.50 OS						1		2
138	2	114772-22150	RING SET, 0.50 OS				1				2
139	2	114872-22150	RING SET, 0.50 OS					1			2
140	2	114652-22150	RING SET, 0.50 OS						1		2
150	1	714770-23610	BEARING ASSY, 0.25				1				3
151	1	714380-23610	METAL ASSY, 0.25					1			3
152	1	714650-23610	BEARING ASSY, 0.25						1		3
156	1	714770-23620	BEARING, 0.50 US				1				4
157	1	714380-23620	BEARING, 0.50 US					1			4
158	1	714650-23620	BEARING, 0.50 US						1		4
162	1	24101-063034	BEARING, BALL 6303							1	

Remarks  
 (1) OVER-SIZE(O.S.=0.25)PART.  
 (2) OVER-SIZE(O.S.=0.50)PART.  
 (3) UNDER-SIZE(U.S.=0.25)PART.  
 (4) UNDER-SIZE(U.S.=0.50)PART.

N:Old  $\frac{100}{100}$  New, Q:Old  $\frac{100}{100}$  New, R:Old  $\frac{100}{100}$  New, S:Old  $\frac{100}{100}$  New, W:Add, Z:Discontinued, F:Interchangeable by set, K:Qty Change  
 Copyright (C) YANMAR CO., LTD. All Rights Reserved.

OCS10-M36101

Fig.24. LUB.OIL PUMP & GOVERNOR



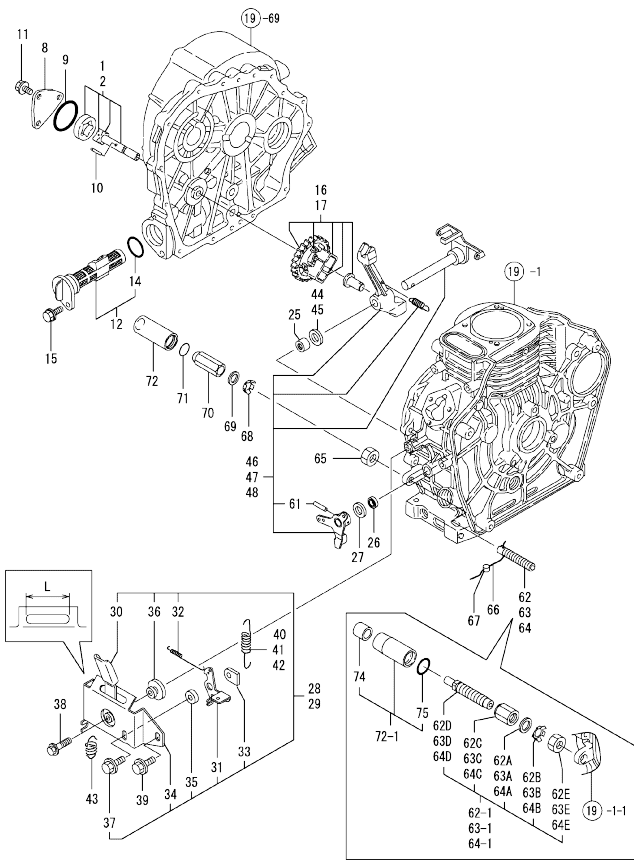
Remarks  
 (1) L= 46MM NEW.  
 L= 41MM PREVIOUS REF.NO.34&46,47.  
 48 INTERCHANGEABLE BY SET.

No.	Lev.	Parts No.	Description	Qty						I	R
				(A)	(B)	(C)	(D)	(E)	(F)		
1	1	114250-32010	PUMP ASSY, OIL				1	1			
2	1	114650-32010	PUMP ASSY, OIL							1	
8	1	114250-32070	COVER				1	1	1		
9	1	103338-32570	O-RING				1	1	1		
10	1	22312-030160	PIN, PARALLEL M3X16				1	1	1		
11	1	26476-060142	SCREW, TAPPING M6X14				3	3	3		
12	1	114250-35110	FILTER ASSY, OIL				1	1	1		
14	2	24341-000224	O-RING, 1AS22.4				1	1	1		
15	1	26106-060162	BOLT, M6X 16 PLATED				1	1	1		
16	1	714770-61100	GOVERNOR ASSY				1	1			
17	1	714685-61700	GOVERNOR ASSY							1	
25	1	114770-61520	BEARING, NEEDLE				2	2	2		
26	1	114770-61600	SEAL, OIL				1	1	1		
26-1	1	114299-61600	SEAL, OIL				1	1			R
			(D=EXXX)				(E=EXXX)				
27	1	114770-61610	WASHER, THRUST				1	1	1		
28	1	183250-66590	BRACKET ASSY, HANDLE				1				
29	1	183250-66511	BRACKET ASSY, HANDLE					1	1		
30	2	183250-66301	HANDLE				1	1	1		
31	2	183250-66321	LEVER, LOCK				1	1	1		
32	2	183250-66331	SPRING				1	1	1		
33	2	183250-66341	NUT, LOCK				1	1	1		
34	2	183250-66351	BRACKET				1	1	1		1
35	2	183250-66361	COLLAR				1	1	1		
36	2	183250-66371	COLLAR				1	1	1		
37	2	26106-060162	BOLT, M6X 16 PLATED				1	1	1		
38	1	26106-060202	BOLT, M6X 20 PLATED				1	1	1		
39	1	26476-060142	SCREW, TAPPING M6X14				1	1	1		
40	1	114770-66010	SPRING, REGULATOR				1				
40-1	1	114299-66010	SPRING, REGULATOR				1				R
			(D=EXXX)				(E=EXXX)				
41	1	114870-66010	SPRING, REGULATOR					1			
41-1	1	114399-66010	SPRING, REGULATOR					1			R
			(E=EXXX)								
42	1	114970-66010	SPRING, REGULATOR							1	
43	1	114250-66200	SPRING, RETURN				1	1	1		
43-1	1	114299-66200	SPRING, RETURN				1	1			R
			(D=EXXX)				(E=EXXX)				
44	1	114770-61190	WASHER				1	1			
44-1	1	114299-61190	WASHER				1	1			R
			(D=EXXX)				(E=EXXX)				
45	1	22137-080000	WASHER, 8							1	
46	1	714771-61500	LEVER ASSY, GOVERNOR				1				
46-1	1	714771-61501	LEVER ASSY, GOVERNOR				1				N
			(D=E05705)								
47	1	714871-61500	LEVER ASSY, GOVERNOR					1			
47-1	1	714871-61501	LEVER ASSY, GOVERNOR					1			N
			(E=E03132)								
48	1	714651-61500	LEVER ASSY, GOVERNOR							1	
48-1	1	714685-61500	LEVER ASSY, GOVERNOR							1	N
			(F=E04580)								

N:Old  $\frac{100}{100}$  New, Q:Old  $\frac{100}{100}$  New, R:Old  $\frac{100}{100}$  New, S:Old  $\frac{100}{100}$  New, W:Add, Z:Discontinued, F:Interchangeable by set, K:Qty Change  
 ++ CONTINUE ++  
 Copyright (C) YANMAR CO., LTD. All Rights Reserved.

OCS10-M36101

Fig.24. LUB.OIL PUMP & GOVERNOR



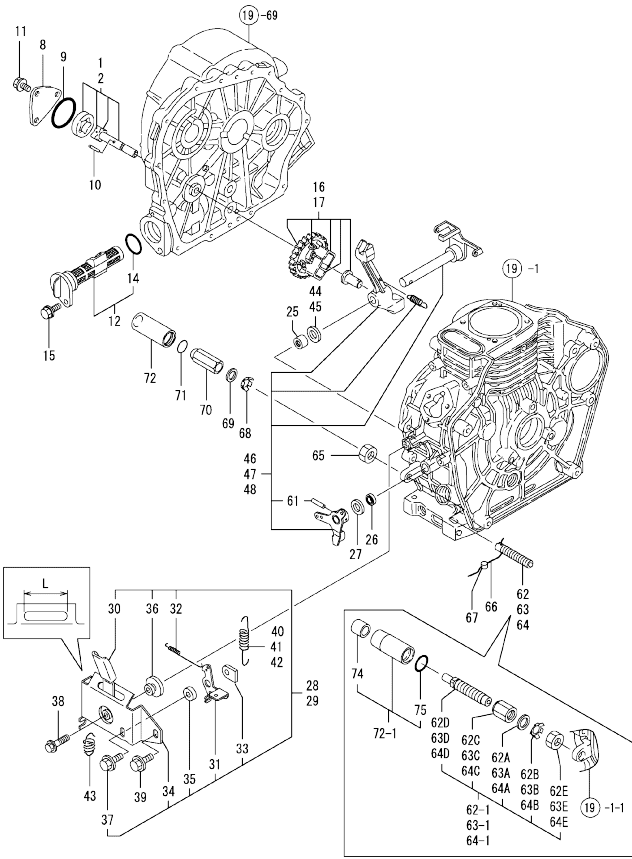
Remarks  
 (1) L= 46MM NEW.  
 L= 41MM PREVIOUS REF.NO.34&46,47.  
 48 INTERCHANGEABLE BY SET.

No.	Lev.	Parts No.	Description	Q'ty						I	R	
				(A)	(B)	(C)	(D)	(E)	(F)			
61	2	22322-030200	PIN, TAPER 3X20					1	1	1		
62	1	114771-66550	LIMITER ASSY, FUEL					1				
62-1	1	114771-61700	LIMITER ASSY, FUEL					1				S
62A	2	114771-61810	WASHER, 14	(D=E05218)				1				W
62B	2	114771-61830	PLATE	(D=E05218)				1				W
62C	2	114771-61940	NUT, M14	(D=E05218)				1				W
62D	2	114771-66600	LIMITER ASSY, FUEL	(D=E05218)				1				W
62E	2	114771-66690	NUT, M14	(D=E05218)				1				W
63	1	114871-66550	LIMITER ASSY, FUEL						1			
63-1	1	114771-61700	LIMITER ASSY, FUEL						1			S
63A	2	114771-61810	WASHER, 14		(E=E02931)				1			W
63B	2	114771-61830	PLATE		(E=E02931)				1			W
63C	2	114771-61940	NUT, M14		(E=E02931)				1			W
63D	2	114771-66600	LIMITER ASSY, FUEL		(E=E02931)				1			W
63E	2	114771-66690	NUT, M14		(E=E02931)				1			W
64	1	114651-66550	LIMITER ASSY, FUEL							1		
64-1	1	114771-61700	LIMITER ASSY, FUEL							1		S
64A	2	114771-61810	WASHER, 14								(F=E03994)	1 W
64B	2	114771-61830	PLATE								(F=E03994)	1 W
64C	2	114771-61940	NUT, M14								(F=E03994)	1 W
64D	2	114771-66600	LIMITER ASSY, FUEL								(F=E03994)	1 W
64E	2	114771-66690	NUT, M14								(F=E03994)	1 W
65	1	26696-100002	NUT, LOCK M10					1	1	1		
65-1	1	26776-100002	NUT, LOCK M10					1	1	1		N
65-2	1	26776-100002	NUT, LOCK M10	(D=E02601)	(E=E01882)			1	1	1	(F=E02552)	Z
66	1	22451-060000	WIRE, 0.6	(D=E02601)	(E=E01882)			2	2	2	(F=E02552)	
66-1	1	22451-060000	WIRE, 0.6	(D=E02601)	(E=E01882)			1	1	1	(F=E02552)	K
67	1	135210-61090	LEAD					2	2	2		
67-1	1	135210-61090	LEAD	(D=E02601)	(E=E01882)			1	1	1	(F=E02552)	K

N:Old  $\frac{New}{Old}$  New, Q:Old  $\frac{New}{Old}$  New, R:Old  $\frac{New}{Old}$  New, S:Old  $\frac{New}{Old}$  New, W:Add, Z:Discontinued, F:Interchangeable by set, K:Q'ty Change  
 ++ CONTINUE ++  
 Copyright (C) YANMAR CO., LTD. All Rights Reserved.

OCS10-M36101

Fig.24. LUB.OIL PUMP & GOVERNOR



Remarks  
 (1) L= 46MM NEW.  
 L= 41MM PREVIOUS REF.NO.34&46,47.  
 48 INTERCHANGEABLE BY SET.

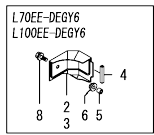
No.	Lev.	Parts No.	Description	Q'ty						I	R
				(A)	(B)	(C)	(D)	(E)	(F)		
68	1	114771-61820	PLATE (D=E02601)		(E=E01882)		1	1	1		W
68-1	1	114771-61820	PLATE (D=E05218)		(E=E02931)		1	1	1		Z
69	1	114771-61800	WASHER, 10 (D=E02601)		(E=E01882)		1	1	1		W
69-1	1	114771-61800	WASHER, 10 (D=E05218)		(E=E02931)		1	1	1		Z
70	1	114771-61930	NUT, CAP M10 (D=E02601)		(E=E01882)		1	1	1		W
70-1	1	114771-61930	NUT, CAP M10 (D=E05218)		(E=E02931)		1	1	1		Z
71	1	24311-000125	O-RING, 1AP12.5 (D=E02601)		(E=E01882)		1	1	1		W
71-1	1	24311-000125	O-RING, 1AP12.5 (D=E05218)		(E=E02931)		1	1	1		Z
72	1	114771-61900	PROTECTOR (D=E02601)		(E=E01882)		1	1	1		W
72-1	1	114771-61890	PROTECTOR ASSY (D=E05218)		(E=E02931)		1	1	1		S
74	2	114771-61960	SPACER (D=E05218)		(E=E02931)		1	1	1		W
75	2	24311-000180	O-RING, 1AP18.0 (D=E05218)		(E=E02931)		1	1	1		W

N:Old  $\frac{100}{100}$  New. Q:Old  $\frac{100}{100}$  New. R:Old  $\frac{100}{100}$  New. S:Old  $\frac{100}{100}$  New. W:Add. Z:Discontinued. F:Interchangeable by set. K:Q'ty Change  
 Copyright (C) YANMAR CO., LTD. All Rights Reserved.

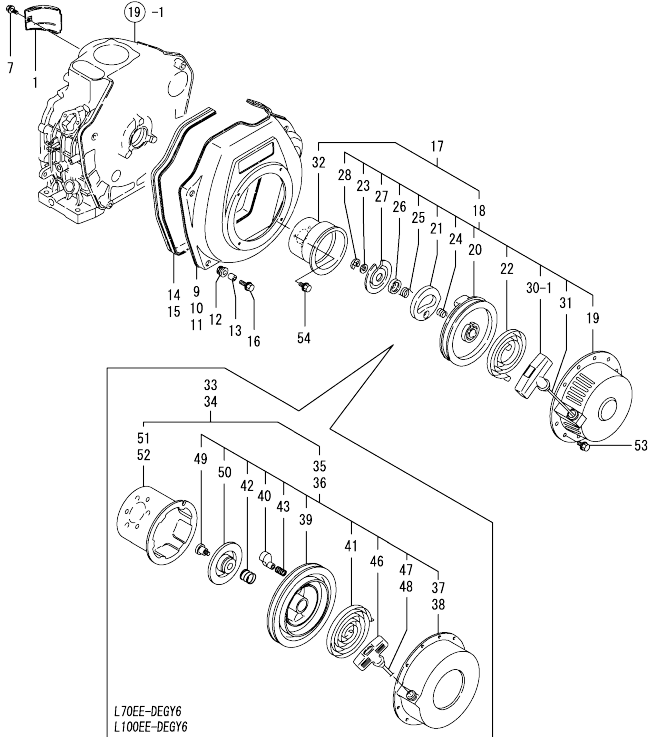


OCS10-M36101

Fig.25. COOLING & STARTING DEVICE



零件名: 000Y00S3611-1  
 实施年月: 2003.04  
 REVISED Apr., 2003



(A)=L48AE-DEGY6B (D)=L48EE-DEGY6  
 (B)=L70AE-DEGY6B (E)=L70EE-DEGY6  
 (C)=L100AEDEGY6B (F)=L100EE-DEGY6

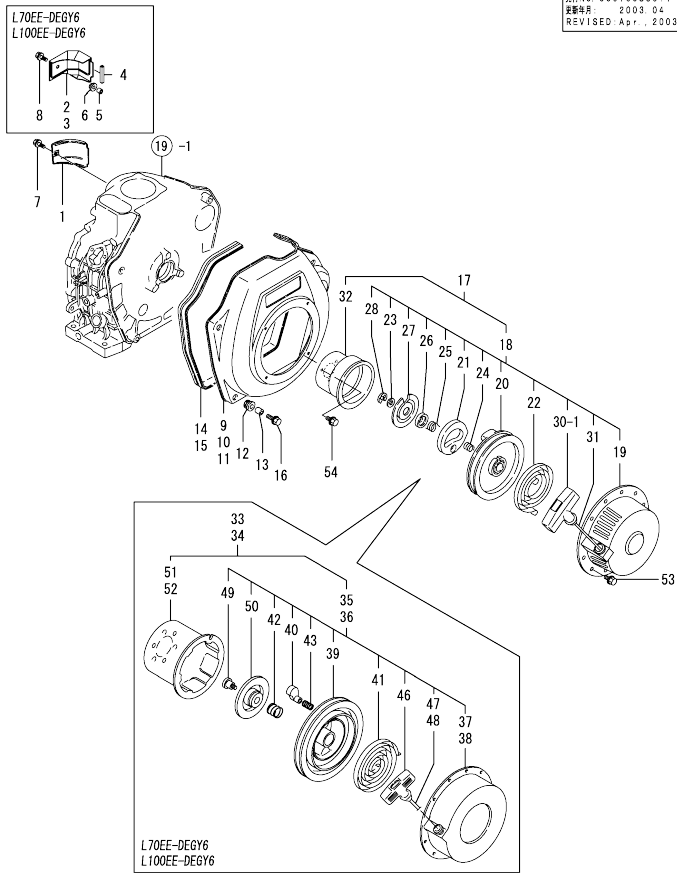
No.	Lev.	Parts No.	Description	Qty						I	R	
				(A)	(B)	(C)	(D)	(E)	(F)			
1	1	114299-45210	COVER				1					
2	1	114870-45201	COVER					1				
3	1	114650-45201	COVER									
4	1	114350-45320	RUBBER, SEAL					1		1		
5	1	114350-45340	COLLAR							1		1
6	1	183720-55210	GROMMET							1		1
7	1	26106-060122	BOLT, M6X 12 PLATED				1					
8	1	26106-060202	BOLT, M6X 20 PLATED					1		1		
9	1	114771-45100	CASE, COOLING FAN				1					
10	1	114360-45101-R	CASE, COOLING FAN						1			
11	1	114668-45102-R	CASE, COOLING FAN									1
12	1	114250-45301	ABSORBER					4	4	4		
13	1	114250-45310	COLLAR					4	4	4		
14	1	114250-45330	SEAL, FAN CASE L=875					1		1		
15	1	114650-45330	SEAL, FAN CASE L=950									1
16	1	114370-45351	BOLT					4	4	4		
17	1	114260-76051	STARTER ASSY, RECOIL					1				
18	2	114260-76251	STARTER ASSY, RECOIL					1				
19	3	114260-76520	CASE, STARTER					1				
20	3	160260-76520	REEL					1				
21	3	160260-76530	RATCHET					1				
22	3	160260-76540	SPRING, SPIRAL					1				
23	3	160260-76550	WASHER, THRUST					1				
24	3	160260-76560	SPRING, FRICTION					1				
25	3	160290-76570	SPRING, RETURN					1				
26	3	160260-76580	COVER					1				
27	3	160260-76590	PLATE, FRICTION					1				
28	3	160260-76600	CIRCLIP					1				
30	3	114250-77620	KNOB, STARTER					1				M
30-1	3	114250-76620	KNOB, STARTER					1				
31	3	160260-76630	ROPE, STARTER					1				
32	2	114250-76590	PULLEY, STARTER					1				
33	1	114880-76051	STARTER ASSY, RECOIL							1		
34	1	114660-76052	STARTER ASSY, RECOIL								1	
35	2	114880-76251	STARTER ASSY, RECOIL					1				
36	2	114660-76251	STARTER ASSY, RECOIL								1	
37	3	114880-76511	CASE, STARTER					1				
38	3	114660-76531	CASE, STARTER								1	
39	3	114880-76520	REEL							1	1	
40	3	114870-76530	RATCHET					2		2		
41	3	114870-76540	SPRING, SPIRAL					1		1		
42	3	114870-76560	SPRING, FRICTION					1		1		
43	3	114870-76570	SPRING, RETURN					2		2		
46	3	114870-76620	KNOB, STARTER								1	1
47	3	114870-76630	ROPE, STARTER					1				
48	3	114650-76631	ROPE, STARTER									1
49	3	114870-76580	SCREW					1		1		
50	3	114880-76550	GUIDE, RATCHET							1	1	
51	2	114350-76591	PULLEY, STARTER							1		
52	2	114660-76592	PULLEY, STARTER								1	
53	1	26106-060082	BOLT, M6X 8 PLATED					4	4	4		

Remarks  
 (M) MISPRINT.

N:Old  $\frac{New}{Old}$  New, Q:Old  $\frac{New}{Old}$  New, R:Old  $\frac{New}{Old}$  New, S:Old  $\frac{New}{Old}$  New, W:Add, Z:Discontinued, F:Interchangeable by set, K:Qty Change  
 ++ CONTINUE ++  
 Copyright (C) YANMAR CO., LTD. All Rights Reserved.

OCS10-M36101

Fig.25. COOLING & STARTING DEVICE



図号: 000Y003611-1  
 発注年月: 2003.04  
 REVISED Apr., 2003

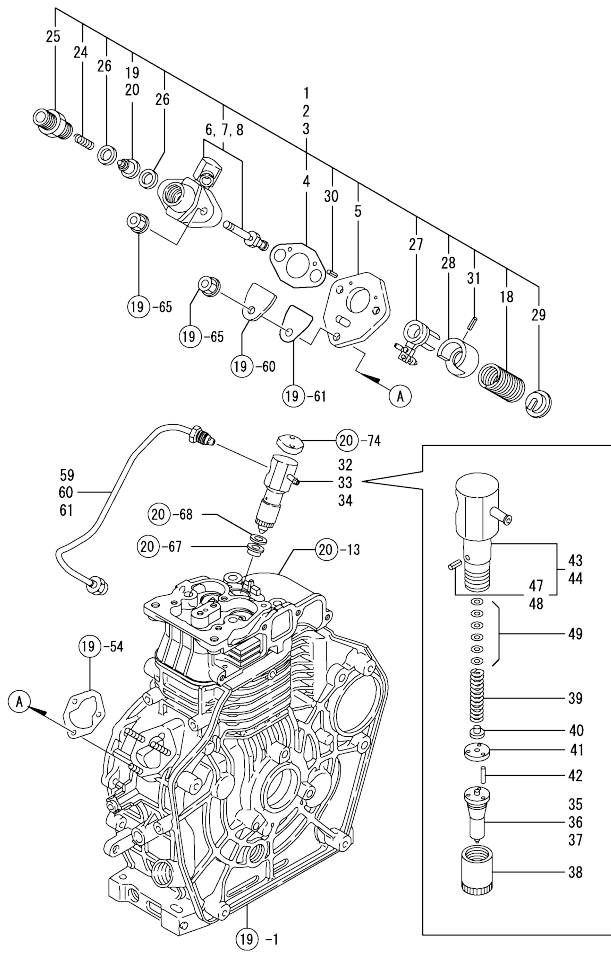
(A)=L48AE-DEGY6B (D)=L48EE-DEGY6  
 (B)=L70AE-DEGY6B (E)=L70EE-DEGY6  
 (C)=L100AEDEGY6B (F)=L100EE-DEGY6

No.	Lev.	Parts No.	Description	Qty						I	R
				(A)	(B)	(C)	(D)	(E)	(F)		
54	1	26106-060122	BOLT, M6X 12 PLATED				3	3	3		

Remarks  
 (M) MISPRINT.

N:Old  $\frac{New}{Old}$  New, Q:Old  $\frac{New}{Old}$  New, R:Old  $\frac{New}{Old}$  New, S:Old  $\frac{New}{Old}$  New, W:Add, Z:Discontinued, F:Interchangeable by set, K:Qty Change  
 Copyright (C) YANMAR CO., LTD. All Rights Reserved.

Fig.26. FUEL INJECTION PUMP



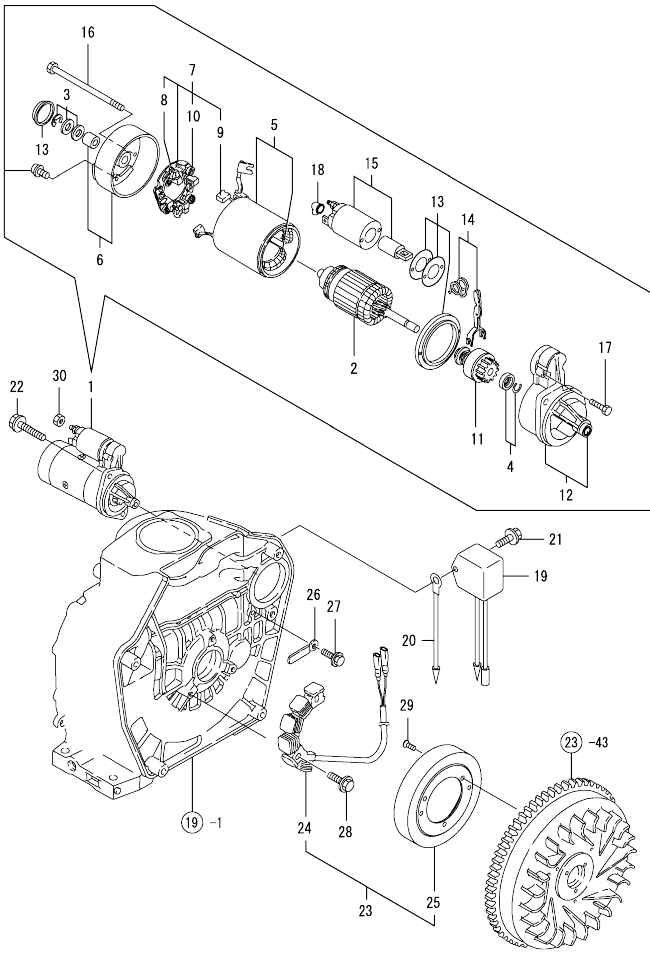
(A)=L48AE-DEGY6B (D)=L48EE-DEGY6  
 (B)=L70AE-DEGY6B (E)=L70EE-DEGY6  
 (C)=L100AEDEGY6B (F)=L100EE-DEGY6

No.	Lev.	Parts No.	Description	Qty						I	R
				(A)	(B)	(C)	(D)	(E)	(F)		
1	1	714775-51200	PUMP ASSY, INJECTION				1				
2	1	714875-51200	PUMP ASSY, INJECTION					1			
3	1	714656-51200	PUMP ASSY, INJECTION							1	
4	2	105546-51020	GASKET				1	1	1		
5	2	114250-51080	PLATE				1	1	1		
6	2	183350-51200	BODY ASSY, PUMP				1				
7	2	183650-51100	BODY ASSY, PUMP					1			
8	2	183986-51100	BODY ASSY, PUMP							1	
18	2	114250-51160	SPRING, PLUNGER				1	1	1		
19	2	114250-51300	VALVE ASSY, DELIVERY				1				
20	2	114650-51300	VALVE ASSY, DELIVERY					1	1		
24	2	105546-51330	SPRING, DELIVERY				1	1	1		
25	2	114250-51340	HOLDER, DELIVERY				1	1	1		
26	2	124550-51350	GASKET, DELIVERY				2	2	2		
27	2	114250-51600	LEVER ASSY, CONTROL				1	1	1		
28	2	114250-51640	SEAT, SPRING A				1	1	1		
29	2	114250-51650	SEAT, SPRING B				1	1	1		
30	2	22351-020006	PIN, SPRING 2.0X 6				2	2	2		
31	2	22351-030008	PIN, SPRING 3.0X 8				1	1	1		
32	1	714775-53100	VALVE ASSY, INJECTION				1				
33	1	714875-53100	VALVE ASSY, INJECTION					1			
34	1	714656-53101	VALVE ASSY, INJECTION							1	
35	2	114771-53000	VALVE ASSY, INJECTION				1				
35-1	2	114771-53001	VALVE ASSY, INJECTION				1				N
36	2	114871-53000	VALVE ASSY, INJECTION					1			
36-1	2	114871-53001	VALVE ASSY, INJECTION					1			N
37	2	114651-53000	VALVE ASSY, INJECTION								1
38	2	119593-53080	NUT, NOZZLE				1	1	1		
39	2	114250-53120	SPRING, NOZZLE				1	1	1		
40	2	119593-53130	SEAT, SPRING				1	1	1		
41	2	114775-53140	SPACER, VALVE STOP				1	1	1		
42	2	114775-53210	PIN				2	2	2		
43	2	114775-53100	HOLDER ASSY, NOZZLE				1				
44	2	114875-53100	HOLDER ASSY, NOZZLE					1	1		
47	3	114775-53330	PIN				1				
48	3	114250-53331	PIN					1	1		
49	2	114250-53400	SHIM SET				1	1	1		
59	1	114772-59800	PIPE ASSY, INJECTION				1				
59-1	1	114772-59801	PIPE ASSY, INJECTION				1				R
60	1	114872-59801	PIPE ASSY, INJECTION					1			
60-1	1	114872-59802	PIPE ASSY, INJECTION					1			R
61	1	114652-59801	PIPE ASSY, INJECTION						1		
61-1	1	114652-59802	PIPE ASSY, INJECTION						1		R

N:Old  $\frac{New}{Old}$  New, Q:Old  $\frac{New}{Old}$  New, R:Old  $\frac{New}{Old}$  New, S:Old  $\frac{New}{Old}$  New, W:Add, Z:Discontinued, F:Interchangeable by set, K:Qty Change  
 Copyright (C) YANMAR CO., LTD. All Rights Reserved.

OCS10-M36101

Fig.27. STARTING MOTOR & DYNAMO



(A)=L48AE-DEGY6B (D)=L48EE-DEGY6  
 (B)=L70AE-DEGY6B (E)=L70EE-DEGY6  
 (C)=L100AEDEGY6B (F)=L100EE-DEGY6

No.	Lev.	Parts No.	Description	Qty						I	R
				(A)	(B)	(C)	(D)	(E)	(F)		
1	1	114362-77011	STARTER				1	1	1		
2	2	114381-77110	ARMATURE				1	1	1		
3	2	X2114811000	WASHER KIT, THRUST				1	1	1		
4	2	X2114715500	STOPPER SET				1	1	1		
5	2	114381-77130	COIL ASSY, FIELD				1	1	1		
6	2	114381-77140	COVER				1	1	1		
7	2	114371-77160	HOLDER ASSY, BRUSH				1	1	1		
8	3	114371-79040	BRUSH				2	2	2		
9	3	114371-79050	BRUSH				1	1	1		
10	3	114371-79060	SPRING				4	4	4		
11	2	X211485016	PINION ASSY				1	1	1		
12	2	114381-77151	CASE ASSY				1	1	1		
13	2	114371-77170	COVER ASSY, DUST				1	1	1		
14	2	114371-77180	LEVER KIT, SHIFT				1	1	1		
15	2	X2114275010	SWITCH ASSY				1	1	1		
16	2	124195-77770	BOLT, THROUGH				2	2	2		
17	2	114371-79070	BOLT				2	2	2		
18	2	X2114274200	COVER				1	1	1		
19	1	160970-77350	RECTIFIER, ZR2117				1	1	1		
20	1	183350-77400	WIRE, LEAD				1	1	1		
21	1	26106-060122	BOLT, M6X 12 PLATED				1	1	1		
22	1	26106-100302	BOLT, M10X 30 PLATED				2	2	2		
23	1	114351-78251	DYNAMO ASSY				1	1	1		
24	2	114351-78751	STATOR ASSY				1	1	1		
25	2	114351-78761	WHEEL, DYNAMO				1	1	1		
26	1	160710-78710	CLAMP, CORD				1	1	1		
27	1	26106-060122	BOLT, M6X 12 PLATED				1	1	1		
28	1	26106-060202	BOLT, M6X 20 PLATED				3	3	3		
29	1	26577-060142	SCREW M 6X 14				3	3	3		
30	1	26716-080002	NUT, M8				1	1	1		

N:Old  $\frac{New}{Old}$  New. Q:Old  $\frac{New}{Old}$  New. R:Old  $\frac{New}{Old}$  New. S:Old  $\frac{New}{Old}$  New. W:Add. Z:Discontinued. F:Interchangeable by set. K:Qty Change  
 Copyright (C) YANMAR CO., LTD. All Rights Reserved.

## Parts No. Index

Parts No.	Fig. No.	Ref. No.
101158-11180	2	38
	20	38
103338-32570	6	9
	24	9
103854-01221	5	46
	23	39
104200-23201	5	104
104200-55080	9	8
104211-11370	2	74
		77
	20	73
105010-11490	2	73
		76
	20	72
105025-01220	1	26
	19	26
105225-01240	1	31
	19	31
105300-23200	5	104 -1
	23	98
105425-01690	1	69
	19	85
105546-51020	8	4
	26	4
105546-51330	8	25
	26	24
106990-44660	9	35
114250-01200	1	18
	19	18
114250-01210	1	21
	19	21
114250-01220	1	24
114250-01221	1	24 -1
	19	24
114250-01250	1	27
114250-01251	1	27 -1
	19	27
114250-01380	1	36
	19	51
114250-01412	1	50
	19	66
114250-01800	1	39
	19	54
114250-01830	1	44
	19	60
114250-01841	1	45
	19	61
114250-02030	1	79
114250-02100	1	62
	19	78

Parts No.	Fig. No.	Ref. No.
114250-02113	1	80
	19	96
114250-02200	1	96
	19	112
114250-02210	1	99
	19	115
114250-03640	2	90
	20	87
114250-07111	11	26
114250-11020	2	13
114250-11101	2	28
114250-11113	2	31
114250-11120	2	34
	20	34
114250-11180	2	37
	20	37
114250-11240	2	61
		70
	20	54
		60
114250-11290	2	46
114250-11311	2	84
114250-11340	2	50
	20	64
114250-11460	2	53
114250-11600	2	55
	20	69
114250-11651	2	57
114250-11900	2	78
114250-11901	2	78 -1
	20	74
114250-12010	3	20
114250-12201	3	23
114250-12211	3	1
	21	1
114250-12300	3	19 -1
	21	19
114250-12520	3	7
	21	7
114250-12530	3	9
	21	9
114250-12550	3	17
	21	17
114250-12560	3	11
	21	11
114250-12580	3	13
	21	13
114250-12581	3	13 -1
	21	13 -1
114250-13201	4	10

Parts No.	Fig. No.	Ref. No.
114250-13201	22	10
114250-14200	5	15
	23	15
114250-14260	5	17
114250-14450	5	18
	23	18
114250-14451	5	18 -1
	23	18 -1
114250-21550	5	48
	23	41
114250-22302	5	88
114250-23200	5	103
114250-23220	5	105
114250-23250	5	106
114250-32010	6	1
	24	1
114250-32070	6	8
	24	8
114250-35110	6	11 A
	24	12
114250-35150	1	66
	19	82
114250-45211	7	1
114250-45300	7	12
114250-45301	7	12 -1
	25	12
114250-45310	7	13
	25	13
114250-45330	7	14
	25	14
114250-51080	8	5
	26	5
114250-51150	8	18
114250-51160	8	19
	26	18
114250-51300	8	20
	26	19
114250-51340	8	26
	26	25
114250-51600	8	28
	26	27
114250-51640	8	29
	26	28
114250-51650	8	30
	26	29
114250-53001	8	36
114250-53080	8	44
114250-53120	8	45
	26	39
114250-53130	8	46

Parts No.	Fig. No.	Ref. No.
114250-53140	8	47
114250-53210	8	48
114250-53300	8	49
114250-53331	8	54
	26	48
114250-53400	8	55
	26	49
114250-61160	6	71
114250-66200	6	58
	24	43
114250-66550	6	59 -1
		60
114250-76590	7	64
	25	32
114250-76620	7	53 -2
	25	30 -1
114250-77620	7	53 -1
	25	30
114250-92101	11	34
114250-92130	11	35
114250-92301	11	41
114250-92311	11	44
114250-92350	11	47
114250-92600	11	29
114252-12550	3	18
	21	18
114252-12560	3	12
	21	12
114252-13950	4	8
	22	8
114260-76051	7	16 A
	25	17
114260-76251	7	20 -1
	25	18
114260-76520	7	26
	25	19
114261-07350	11	27
114262-21600	5	59
	23	52
114270-01600	1	46
	19	62
114270-61520	6	41
114299-01200	19	18 -1
114299-01210	19	21 -1
114299-01220	19	24 -1
114299-01230	19	27 -1
114299-01380	19	51 -1
114299-01760	1	70 -1
	19	86
114299-01800	19	54 -1

## Parts No. Index

Parts No.	Fig. No.	Ref. No.
114299-01830	19	60 -1
114299-01840	19	61 -1
114299-01950	1	74 -1
	19	90
114299-02030	1	79 -1
	19	95
114299-12010	3	20 -1
114299-21590	5	50 -1
	23	43 -1
114299-22300	5	88 -1
	23	81
114299-45210	7	1 -1
	25	1
114299-61190	24	44 -1
114299-61520	6	41 -1
114299-61600	24	26 -1
114299-66010	24	40 -1
114299-66200	24	43 -1
114350-01200	1	19
	19	19
114350-01210	1	22
	19	22
114350-01220	1	25
	19	25
114350-01250	1	28
	19	28
114350-01380	1	37
	19	52
114350-01412	1	51
	19	67
114350-01700	1	16
	19	16
114350-02100	1	63
	19	79
114350-02113	1	81
	19	97
114350-02200	1	97
	19	113
114350-02210	1	100
	19	116
114350-11101	2	29
114350-11113	2	32
114350-11120	2	35
	20	35
114350-11340	2	51
	20	65
114350-11470	2	54
114350-12011	3	21
114350-12202	3	24
	21	22

Parts No.	Fig. No.	Ref. No.
114350-14450	5	19
	23	19
114350-14451	5	19 -1
	23	19 -1
114350-22301	5	89
114350-45320	7	4
	25	4
114350-45340	7	5
	25	5
114350-76590	7	65
114350-76591	7	65 -1
	25	51
114350-92311	11	45
114350-92350	11	48
114351-78251	10	23
	27	23
114351-78751	10	24
	27	24
114351-78761	10	25
	27	25
114360-45101-R	7	10
	25	10
114361-92300	11	42
114362-21600	5	60
	23	53
114362-77011	10	1
	27	1
114370-45350	7	16
114370-45351	7	16 -1
	25	16
114371-77160	10	7
	27	7
114371-77170	10	13
	27	13
114371-77180	10	14
	27	14
114371-79040	10	8
	27	8
114371-79050	10	9
	27	9
114371-79060	10	10
	27	10
114371-79070	10	17
	27	17
114380-23100	5	108 B
	23	101
114381-77110	10	2
	27	2
114381-77130	10	5
	27	5

Parts No.	Fig. No.	Ref. No.
114381-77140	10	6
	27	6
114381-77151	10	12
	27	12
114399-01220	19	25 -1
114399-01230	19	28 -1
114399-01250	19	31 -1
114399-01380	19	52 -1
114399-12010	3	21 -1
	21	20
114399-21590	5	51 -1
	23	44 -1
114399-22300	5	89 -1
	23	82
114399-66010	24	41 -1
114650-01230	1	20
	19	20
114650-01240	1	23
	19	23
114650-01250	1	29
	19	29
114650-01260	1	32
	19	32
114650-01380	1	38
	19	53
114650-01412	1	52
	19	68
114650-02100	1	64
	19	80
114650-02150	1	82
	19	98
114650-02200	1	98
	19	114
114650-02210	1	101
	19	117
114650-07450	3	6 B
	21	6 B
114650-11010	2	15
114650-11011	2	15 -1
114650-11100	2	30
	20	30
114650-11121	2	36
	20	36
114650-11261	2	47
114650-11311	2	85
114650-11340	2	52
	20	66
114650-11600	2	56
	20	70
114650-11652	2	58

Parts No.	Fig. No.	Ref. No.
114650-12020	3	22
114650-12211	3	2
	21	2
114650-12301	3	25
	21	23
114650-12520	3	8
	21	8
114650-12530	3	10
	21	10
114650-12531	3	10 -1
	21	10 -1
114650-12550	3	16
	21	16
114650-12551	3	16 -1
	21	16 -1
114650-12590	3	14
	21	14
114650-12591	3	14 -1
	21	14 -1
114650-13201	4	11
	22	11
114650-14200	5	16
	23	16
114650-14401	5	20
	23	20
114650-14402	5	20 -1
	23	20 -1
114650-21551	5	49
	23	42
114650-22300	5	90
114650-32010	6	2
	24	2
114650-45201	7	3
	25	3
114650-45330	7	15
	25	15
114650-51300	8	21
	26	20
114650-53000	8	38
114650-53300	8	50
114650-66500	6	61
114650-76520	7	31
114650-76540	7	37
114650-76630	7	58
114650-76631	7	58 -1
	25	48
114650-92310	11	46
114650-92350	11	49
114651-01330	19	45
114651-11020	20	15

## Parts No. Index

Parts No.	Fig. No.	Ref. No.
114651-11110	20	33
114651-11250	20	47
114651-11260	20	49
114651-11310	20	82
114651-11650	20	51
114651-11660	20	57
114651-11960	20	84
114651-53000	26	37
114651-66550	24	64
114652-22040	23	116
114652-22050	23	134
114652-22140	23	122
114652-22150	23	140
114652-59801	26	61
114652-59802	26	61 -1
114654-11110	2	33
114660-01471	1	55
	19	71
114660-76052	7	16 C
	25	34
114660-76251	7	22 -2
	25	36
114660-76252	7	22 -1
114660-76530	7	28
114660-76531	7	28 -1
	25	38
114660-76590	7	66
114660-76591	7	66 -1
114660-76592	7	66 -2
	25	52
114661-92300	11	43
114662-21592	5	52
114662-21593	5	52 -1
	23	45
114662-21601	5	61
	23	54
114668-45102-R	7	11
	25	11
114699-01760	1	71 -1
	19	87
114699-12020	3	22 -1
	21	21
114699-21590	5	52 -2
	23	45 -1
114699-22300	5	90 -1
	23	83
114718-11910	20	78 -1
114770-01340	1	33
114770-07450	3	6 A
	21	6 A

Parts No.	Fig. No.	Ref. No.
114770-11020	2	13 -1
114770-23100	5	108 A
	23	100
114770-61190	6	70
	24	44
114770-61240	6	16
114770-61260	6	15
114770-61520	6	41 -2
	24	25
114770-61600	6	42
	24	26
114770-61610	6	43
	24	27
114770-66010	6	55
	24	40
114771-01330	19	33
114771-11020	20	13
114771-11100	20	28
114771-11110	20	31
114771-11250	20	46
114771-11260	20	48
114771-11310	20	81
114771-11461	20	67
114771-11470	20	68
114771-11650	20	50
114771-11660	20	56
114771-11980	20	83
114771-12010	21	28
114771-12200	21	29
114771-14260	5	17 -1
	23	17
114771-45100	25	9
114771-53000	26	35
114771-53001	26	35 -1
114771-61700	24	62 -1
		63 -1
		64 -1
114771-61800	24	69
		69 -1
114771-61810	24	62 A
		63 A
		64 A
114771-61820	24	68
		68 -1
114771-61830	24	62 B
		63 B
		64 B
114771-61890	24	72 -1
114771-61900	24	72
114771-61930	24	70

Parts No.	Fig. No.	Ref. No.
114771-61930	24	70 -1
114771-61940	24	62 C
		63 C
		64 C
114771-61960	24	74
114771-66550	24	62
114771-66600	24	62 D
		63 D
		64 D
114771-66690	24	62 E
		63 E
		64 E
114772-22040	23	114
114772-22050	23	132
114772-22140	23	120
114772-22150	23	138
114772-59800	26	59
114772-59801	26	59 -1
114775-53100	26	43
114775-53140	26	41
114775-53210	26	42
114775-53330	26	47
114780-45100-R	7	9
114781-21590	5	50
	23	43
114870-01340	1	34
114870-11021	2	14
114870-45201	7	2
	25	2
114870-53000	8	37
114870-53100	8	37 -1
114870-66010	6	56
	24	41
114870-76530	7	33 -1
		34 -1
	25	40
114870-76540	7	36 -1
		37 -1
	25	41
114870-76560	7	41 -1
		42 -1
	25	42
114870-76570	7	44 -1
		63 A
	25	43
114870-76580	7	63 B
	25	49
114870-76620	7	54 -1
		55 -1
	25	46

Parts No.	Fig. No.	Ref. No.
114870-76630	7	57 -1
	25	47
114871-01330	19	39
114871-11020	20	14
114871-11100	20	29
114871-11110	20	32
114871-53000	26	36
114871-53001	26	36 -1
114871-66550	24	63
114872-22040	23	115
114872-22050	23	133
114872-22140	23	121
114872-22150	23	139
114872-59801	26	60
114872-59802	26	60 -1
114875-53100	26	44
114880-76051	7	16 B
	25	33
114880-76251	7	21 -1
	25	35
114880-76510	7	27
114880-76511	7	27 -1
	25	37
114880-76520	7	30 -1
		31 -1
	25	39
114880-76550	7	63 C
	25	50
114881-21590	5	51
	23	44
114888-66560	6	59
114888-66710	6	68
114970-01340	1	35
114970-66010	6	57
	24	42
118200-23200	5	103 -1
	23	97
119260-11370	2	72
		75
	20	71
119265-23200	5	103 -2
	23	96
119593-53080	26	38
119593-53130	26	40
119600-61541	6	21
119620-11180	2	39
	20	39
122710-01220	5	47
	23	40
124060-23100	5	108

## Parts No. Index

Parts No.	Fig. No.	Ref. No.
124060-23100	23	99
124195-77770	10	16
	27	16
124550-51350	8	27
	26	26
124722-59050	9	36
124950-01250	1	30
	19	30
129100-61850	2	98
	20	96
129792-22400	5	93
	23	86
135210-61090	24	67
	67	-1
160110-01870	1	75
	19	91
160110-02220	1	83
	86	
	19	99
	102	
160210-02220	1	85
	19	101
160260-76520	7	29
	25	20
160260-76530	7	32
	25	21
160260-76540	7	35
	25	22
160260-76550	7	38
	25	23
160260-76560	7	40
	25	24
160260-76580	7	45
	25	26
160260-76590	7	46
	25	27
160260-76600	7	49
	25	28
160260-76620	7	53
160260-76630	7	56
	25	31
160290-76570	7	43
	25	25
160330-92730	11	30
160393-55050	9	17
160670-66350	2	7
	20	7
160710-01760	1	70
160710-55061	9	10
160710-55100	9	18

Parts No.	Fig. No.	Ref. No.
160710-78710	10	26
	27	26
160810-76520	7	30
160810-76540	7	36
160810-76580	7	47
160810-76620	7	54
160810-76630	7	57
160840-76530	7	33
160840-76560	7	41
160910-01740	1	71
160910-76530	7	34
160910-76550	7	39
160910-76560	7	42
160910-76570	7	44
160910-76580	7	48
160910-76620	7	55
160910-76650	7	61
160970-77350	10	19
	27	19
170001-07230	11	18
171022-39470	1	93
	19	109
181130-76680	7	59
181130-76700	7	63
183210-74470	13	15
183211-91160	16	14
	17	15
	18	15
183211-91170	16	15
	17	16
	18	16
183211-91880	16	36
	17	39
	18	39
183250-01451	1	53
	19	69
183250-03410	2	1
	20	1
183250-03450	2	2
	20	2
183250-03510	2	3
	20	3
183250-03550	2	6
	20	6
183250-03601	2	89
	20	86
183250-07380	11	21
183250-07480	11	28
183250-08150	12	8
183250-08160	12	10

Parts No.	Fig. No.	Ref. No.
183250-11951	2	86
183250-11952	2	86 -1
183250-13300	22	18
183250-21350	5	44
	23	37
183250-39450	1	91
	19	107
183250-51200	8	6
183250-59040	9	34
183250-59800	8	62
183250-66301	6	45
	24	30
183250-66321	6	46
	24	31
183250-66331	6	47
	24	32
183250-66341	6	48
	24	33
183250-66351	6	49
	24	34
183250-66361	6	50
	24	35
183250-66371	6	51
	24	36
183250-66410	16	30
	17	33
	18	33
183250-66511	6	44
	24	29
183250-66590	24	28
183250-74271	13	12
	14	7
	15	11
183250-74272	13	12 -1
	14	7 -1
	15	11 -1
183250-74460	13	15 -1
	14	9
	15	18
183251-07130	11	15
183251-07170	11	16
183251-07190	11	17
183251-79550	12	34
183251-79570	12	37
183254-55120	9	21
183255-79110	12	24
183261-79620	12	29
183279-08210	12	12
183279-08350	1	76
	19	92

Parts No.	Fig. No.	Ref. No.
183284-08250	12	11
183284-13050	4	1
	22	1
183284-13500	4	4
	22	4
183284-13550	4	6
	22	6
183284-91600	16	18
	17	21
	18	24
183284-91680	16	19
	17	22
	18	25
183284-91690	16	20
	17	23
	18	26
183284-96310	16	24
	17	24
	18	27
183284-96320	16	25
	17	25
	18	28
183285-07300	11	20
183285-66420	17	34
183350-01451	1	54
	19	70
183350-03510	2	4
	20	4
183350-08150	12	9
183350-21350	5	45
	23	38
183350-51200	8	7
	26	6
183350-55130	16	10
	17	11
	18	11
183350-59800	8	63
183350-77400	10	20
	27	20
183350-79510	12	30
183350-79560	12	35
183350-79610-1	12	39
183350-79630	12	40
183366-08290	1	90
	19	106
183366-39460	1	92
	19	108
183384-08350-R	12	19
183387-74250	15	18 -1
	28	2



## Parts No. Index

Parts No.	Fig. No.	Ref. No.
183387-74260	15	8 -1
	28	3
183533-74380	15	15
183620-07230	11	19
183650-03510	2	5
	20	5
183650-11951	2	87
183650-13300	22	19
183650-13500	4	3
	22	3
183650-13501	4	3 -1
	22	3 -1
183650-13510	4	5
	22	5
183650-13511	4	5 -1
	22	5 -1
183650-13700	4	7
	22	7
183650-51100	26	7
183650-59800	8	64
183650-59801	8	64 -1
183660-91260	17	17
	18	17
183660-91270	17	18
	18	18
183720-55210	7	6
	9	23
	25	6
183720-91750	16	35
	17	38
	18	38
183731-74470	13	18 A
	14	12 A
183740-74250	13	11
	14	6
183740-74251	13	11 -1
183740-74252	13	11 -2
183740-74310	13	14
183740-74370	13	6
	14	17
183754-92350	11	50
183789-91280	16	26
	17	26
	18	29
183789-96570	16	17
183820-74300	13	13
	14	8
	15	14
183854-13510	4	2
	22	2

Parts No.	Fig. No.	Ref. No.
183854-92350	11	51
183855-79100	12	25
183884-08350-R	12	20
183884-74470	15	17
183884-74471	15	17 -1
183884-74472	15	17 -2
183920-79560	12	36
183920-91280	16	23
	17	29
	18	22
183920-91320	16	16
	17	19
	18	19
183920-91450	16	21
	17	27
	18	20
183955-79110	12	26
183965-91010	16	26 A
	17	29 A
	18	29 A
183965-91011	16	26 A-1
	17	29 A-1
	18	29 A-1
183972-91690	16	32
	17	35
	18	35
183976-79620	12	31
183976-91080	16	11
	17	12
	18	12
		12 -1
183976-91090	16	12
		13
	17	13
		13 -1
		14
	18	13
		13 -1
		14
183976-92350	11	52
183984-08240	12	21
183984-66420	18	34
183984-74150	15	6
183984-74220	15	7
183984-74221	15	7 -1
183984-74250	15	10
183984-74280	15	12
183984-74310	15	13
183984-74311	15	13 -1
183984-74312	15	13 -2

Parts No.	Fig. No.	Ref. No.
183984-74350	15	20
183984-74370	15	24
183984-74380	15	16
183984-74490	15	19
183985-79560	12	38
183986-51100	8	8
	26	8
183989-91580	18	23
184120-99100	15	27
184120-99200	28	1
22117-100000	1	94
	19	110
22137-080000	24	45
22190-120002	9	9
22190-160002	1	77
		78
	19	93
		94
22217-060000	7	62
22242-000120	20	62
22242-000150	20	63
22252-000190	5	91
	23	84
22252-000210	5	92
	23	85
22312-030080	5	107
22312-030160	2	93
	6	10
	20	90
	24	10
22312-040080	19	118
22322-030200	6	22 A
		22 B
		31
		32
		33
	24	61
22351-020006	8	31
	26	30
22351-030008	8	32
	26	31
22351-030020	6	22
22351-040008	2	79
	20	75
22451-060000	24	66
		66 -1
22512-040120	5	62
	23	55
22512-050140	5	63
	23	56

Parts No.	Fig. No.	Ref. No.
24101-062034	5	120
	23	113
24101-063034	5	169
	23	162
24162-152112	1	88
	19	104
24311-000125	24	71
		71 -1
24311-000180	1	74
	24	75
24341-000224	6	13
	24	14
24341-000450	9	22
24423-355008	1	84
		87
	19	100
		103
26022-040082	14	10
	16	33
	17	36
	18	36
26023-030082	16	34
	17	37
	18	37
26023-040162	13	22
	14	21
	15	25
26023-040202	13	17
		18
	14	11
		12
26106-060082	4	9
	7	67
	22	9
	25	53
26106-060102	12	43
26106-060122	2	9
	7	7 -1
		68
		68 -1
	10	21
		27 -1
	12	23
	20	9
	25	7
		54
	27	21
		27
26106-060162	4	13
	6	14

## Parts No. Index

Parts No.	Fig. No.	Ref. No.
26106-060162	6	52
	22	13
	24	15
		37
26106-060202	2	8
	6	53
	7	8 -1
	10	28 -1
	20	8
	24	38
	25	8
	27	28
26106-060252	1	67
	3	26
	19	83
	21	24
26106-060452	20	76
26106-060552	2	96
	20	94
26106-060702	2	97
	20	95
26106-080122	1	89
	19	105
26106-080162	4	12
	12	13
	22	12
26106-080182	4	14
	22	14
26106-080252	12	14
	15	26
26106-080352	1	68
	12	16
	19	84
26106-080452	2	80
26106-080552	20	77
26106-100122	1	17
	19	17
26106-100302	10	22
	27	22
26106-100552	2	81
26116-060454	11	37
26116-080454	11	38
26216-080182	4	15
		16 -1
	22	15
		16
26226-060142	3	27
	21	25
26226-060182	1	47
	19	63

Parts No.	Fig. No.	Ref. No.
26226-060222	1	48
	19	64
26226-060502	2	82
26226-060552	3	28
	20	79
	21	26
26226-060652	20	78
26226-060752	3	29
	21	27
26226-080202	4	16
26306-080002	4	17 -1
	12	18 -1
	22	17 -1
26366-050002	12	42
26366-060002	1	49
	2	10
		83
	3	19
	9	24
	19	65
	20	10
		80
26366-080002	4	17
	12	18
	22	17
26476-060142	2	11
	6	11
		54
	7	7
	10	27
	20	11
	24	11
		39
26476-060202	7	8
	10	28
26557-040082	1	95
	19	111
26577-060142	10	29
	27	29
26696-100002	6	68 -1
		69
	24	65
26716-060002	11	39
26716-080002	10	30
	11	40
	27	30
26717-060002	7	60
26756-060002	2	12
		62
		71

Parts No.	Fig. No.	Ref. No.
26756-060002	20	12
26776-100002	6	68 -2
		69 -1
	24	65 -1
		65 -2
26856-060002	2	62 -1
		71 -1
	20	55
		61
27260-170000	2	95 A
27310-055001	2	40
	20	40
27310-060001	2	41
	20	41
27310-070001	2	42
	20	42
28110-100120	11	31
28110-140170	11	32
28210-000150	11	33
714250-12560	3	3
	21	3
714250-23600	5	109
714250-23610	5	157
714250-23620	5	163
714250-23703	5	94
714250-53101	8	33
714250-61500	6	15 -1
714250-61501	6	15 -2
714260-76821	7	20
714270-11660	2	63
714350-23600	5	110
714350-23610	5	158
714350-23620	5	164
714350-23704	5	95
714350-61500	6	23
714350-61501	6	23 -1
714370-11660	2	64
714380-23600	5	110 -1
	23	103
714380-23610	5	158 -1
	23	151
714380-23620	5	164 -1
	23	157
714380-23700	5	95 -1
	23	88
71438G-23700	5	95 -2
	23	88 -1
714471-14580	23	1
714471-14581	23	1 -1
714650-12560	3	4

Parts No.	Fig. No.	Ref. No.
714650-12560	21	4
714650-12561	3	4 -1
	21	4 -1
714650-23600	5	111
	23	104
714650-23610	5	159
	23	152
714650-23620	5	165
	23	158
714650-23700	5	96
	23	89
714650-53100	8	35
714650-61500	6	24
714650-61501	6	24 -1
714651-61500	24	48
714652-22720	23	59
714655-01560	19	3 -1
714656-21700	23	23
714656-51200	26	3
714656-53101	26	34
71465G-23700	5	96 -1
	23	89 -1
714660-76821	7	22
714670-11660	2	65
714685-61500	24	48 -1
714685-61700	6	35
	24	17
714689-14580	5	3
	23	3
714689-28510	5	115
714770-22500	5	70
	23	63
714770-22540	5	127
714770-22550	5	145
714770-23600	5	109 -1
	23	102
714770-23610	5	157 -1
	23	150
714770-23620	5	163 -1
	23	156
714770-23700	5	94 -1
	23	87
714770-61100	24	16
714770-61700	6	34
714771-01560	1	1
	19	1
714771-01561	1	1 -1
714771-61500	24	46
714771-61501	24	46 -1
714772-22720	23	57

## Parts No. Index

Parts No.	Fig. No.	Ref. No.	Parts No.	Fig. No.	Ref. No.	Parts No.	Fig. No.	Ref. No.	Parts No.	Fig. No.	Ref. No.
714774-21710	23	21	714880-76821	7	21	X2A04759K01	14	2	X3A06920K03	11	9
714775-01560	19	1 -1	714888-01560	1	2 -2	X2A05264KF0	13	8	X3A06920K06	11	10
714775-51200	26	1	714970-01560	1	3	X2A05265KF0	13	9	X3A06920K11	11	9 A
714775-53100	26	32		19	3	X2A05270KF0	14	3	X3A06920K12	11	9 B
71477G-23700	5	94 -2	714970-01561	1	3 -1	X2A05271KF0	14	4	X3A06934K01	11	11
	23	87 -1	714970-01562	1	3 -2	X2A05276KD0	9	3	X3A06941K05	11	12
714780-14580	5	1	714970-22500	5	72	X2A05277KD0	9	4	X3A06941K07	11	14 A
714780-14581	5	1 -1		23	65	X2A05280KA0	14	13	X3A06942K05	11	13
714780-22580	5	139	714970-22540	5	129	X2A05305KA0	16	4	X3A06942K07	11	14 B
714780-22582	5	139 -1	714970-22550	5	147	X2A05305KB0	16	4 -1	X3A06943K05	11	14
714780-22620	5	121	714970-28511	5	115 -1	X2A05311KA0	17	4	X3A06943K07	11	14 C
714780-22622	5	121 -1		23	108		18	4	X3A06948K01	13	21
714780-22720	5	64	714980-22580	5	141	X2A05550KA0	16	5	X3A07788K01	17	18 -1
714780-22722	5	64 -1	714980-22581	5	141 -1	X2A05551KA0	17	5		18	18 -1
714870-22500	5	71	714980-22620	5	123	X2A05552KA0	18	5	X3A07789K01	17	17 -1
	23	64	714980-22621	5	123 -1	X2A07490KF0	14	3 -1		18	17 -1
714870-22501	5	71 -1	714980-22720	5	66	X2A07491KF0	14	4 -1	X3A07920K13	11	9 C
	23	64 -1	714980-22721	5	66 -1	X2A07519KA0	18	5 -1	X3A08407K04	16	26 -1
714870-22502	5	71 -2	783292-21700	5	28	X2A08092KA0	16	5 -1		17	26 -1
	23	64 -2	783392-21700	5	29	X2A08093KA0	17	5 -1		18	29 -1
714870-22540	5	128	783692-21700	5	30	X2A08094KA0	18	5 -2	X3A10681K02	17	20 -1
714870-22541	5	128 -1	783786-51700	8	1	X2A08554KA0	17	4 -1	X3A10681K04	18	23 -1
714870-22542	5	128 -2	783886-21700	5	29 -1		18	4 -1	X3A11429K01	12	9 A
714870-22550	5	146	783886-51700	8	2	X2A09010KA0	17	4 A		16	27
714870-22551	5	146 -1	783986-51100	8	3		18	4 A	X4A01031K01	17	30
714870-22552	5	146 -2	X1A02279K01	16	2	X2A09144KA0	16	4 A		18	30
714870-53100	8	34		17	2	X3A06120K00	12	27	X4A02751K02	15	5
714870-53200	8	34 -1		18	2	X3A06121K01	13	19	X4A02757K01	16	6
714871-01560	1	2	X1A02523KE0	12	4	X3A06121K04	14	18		17	6
	19	2	X1A02524KE0	12	5	X3A06121K07	15	2		18	6
714871-01561	1	2 -1	X1A02526KE0	12	6	X3A06122K03	13	20	X4A05719K02	12	7
714871-61500	24	47	X1A02652KA0	16	3	X3A06123K01	12	22	X4A05871K01	16	28
714871-61501	24	47 -1	X1A02654KA0	17	3	X3A06123K03	9	19		17	31
714872-22720	23	58	X1A02654KB0	18	3	X3A06125K04	14	19		18	31
714872-22721	23	58 -1	X1A03773KB0	18	3 -1	X3A06125K08	15	3	X4A05872K01	16	7
714875-01560	19	2 -1	X1A04451KA0	17	3 A	X3A06146KA0	9	5		17	7
714875-21700	23	22	X1A04451KB0	18	3 A	X3A06298K01	17	20		18	7
714875-51200	26	2	X1A04526KA0	16	3 A	X3A06352K03	16	31	X4A05873K01	16	8
714875-53100	26	33	X2114274200	10	18	X3A06356K01	9	28		17	8
714880-14580	5	2		27	18	X3A06356K02	9	29		18	8
	23	2	X2114275010	10	15	X3A06356K03	9	30	X4A05877K01	17	9
714880-22580	5	140		27	15	X3A06384K01	14	20		18	9
714880-22581	5	140 -1	X2114715500	10	4	X3A06403K02	12	15	X4A05899K01	12	28
714880-22582	5	140 -2		27	4	X3A06403K03	12	17	X4A05900K01	12	41
714880-22620	5	122	X2114811000	10	3	X3A06461K01	15	4	X4M47065000	13	10
714880-22621	5	122 -1		27	3	X3A06813K01	11	7		14	5
714880-22622	5	122 -2	X211485016	10	11	X3A06873KA0	9	31		15	8
714880-22720	5	65		27	11	X3A06873KB0	9	32	X4M57215000	16	9
714880-22721	5	65 -1	X2A02536KA0	13	2	X3A06873KC0	9	33		17	10
714880-22722	5	65 -2	X2A04759K01	13	7	X3A06919K01	11	8		18	10

Parts No. Index

Parts No.	Fig. No.	Ref. No.
X5M07994000	9	20
X5M17382000	15	9

Parts No.	Fig. No.	Ref. No.
-----------	----------	----------

Parts No.	Fig. No.	Ref. No.
-----------	----------	----------

Parts No.	Fig. No.	Ref. No.
-----------	----------	----------