

0CV10-M77500EN

The following models are described in the parts catalog.

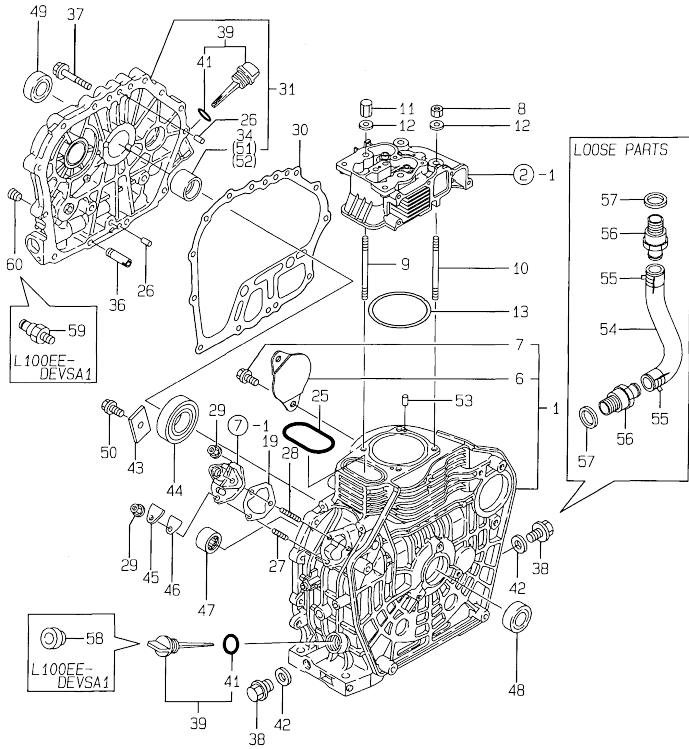
Model	Manufacturer's name	Product equipped with the Model	Note
L100EE-DEVSA	SAKAI HEAVY INDUSTRIES,LTD.	HV70STY HV80STY	VIBRATING ROLLER
L100EE-DEVSA1		PF301	PLATE COMPACTOR

Contents

Fig. No.	Fig. Name	Fig. No.	Fig. Name
L100EE-DEVSA(1)			
1.	CYLINDER BLOCK		
2.	CYLINDER HEAD & BONNET		
3.	AIR CLEANER & MUFFLER		
4.	CRANKSHAFT,PISTON & CAMSHAFT		
5.	LUB.OIL PUMP & GOVERNOR		
6.	COOLING & STARTING DEVICE		
7.	FUEL INJECTION PUMP		
8.	FUEL TANK & FUEL PIPE		
9.	STARTING MOTOR & DYNAMO		
10.	TOOL & LABEL		
11.	GASKET SET		

Fig.1. CYLINDER BLOCK

1. CYLINDER BLOCK

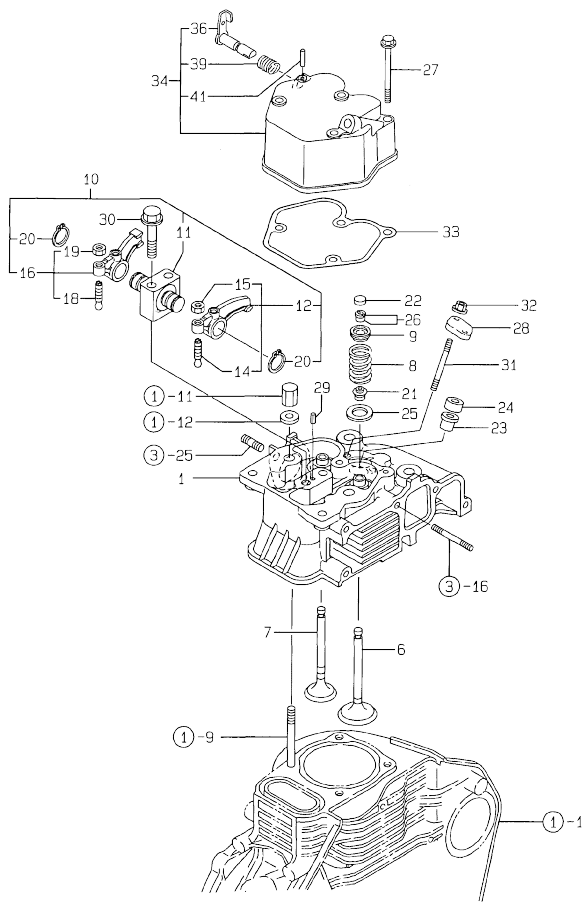


No.	Lev.	Parts No.	Description	Q'ty						I	R
				(A)	(B)	(C)	(D)	(E)	(F)		
1	1	714970-01560	BLOCK ASSY, CYLINDER	1	1						
6	2	114350-01700	COVER	1	1						
7	2	26106-100122	BOLT, M10X 12 PLATED	2	2						
8	1	105025-01220	NUT, CYLINDER HEAD	2	2						
9	1	114650-01230	BOLT, HEAD	2	2						
10	1	114650-01240	BOLT, HEAD	2	2						
11	1	114650-01250	NUT, CYLINDER HEAD	2	2						
12	1	114650-01260	WASHER	4	4						
13	1	114651-01330	GASKET SET, HEAD	1	1						
19	1	114250-01800	SHIM SET	1	1						
25	1	114650-01380	O-RING	1	1						
26	1	114270-01600	PIN, M8X12	2	2						
27	1	26226-060182	STUD, M6X 18	1	1						
28	1	26226-060222	STUD, M6X 22	2	2						
29	1	26366-060002	NUT, M6	3	3						
30	1	114650-01412	GASKET, CRANK CASE	1	1						
31	1	114660-01471	COVER, CRANK CASE	1	1						
34	2	114650-02100	BEARING, MAIN	1	1						1
36	1	114250-35150	PIPE, OIL INLET	1	1						
37	1	26106-080352	BOLT, M8X 35 PLATED	16	16						
38	1	105425-01690	PLUG, 16	2	2						
39	1	114699-01760	CAP ASSY	2	1						
41	2	114299-01950	O-RING, 18	2	1						
42	1	22190-160002	WASHER, SEAL 16	2	2						
43	1	114299-02030	RETAINER, BEARING	1	1						
44	1	114650-02150	BEARING, HR6308G3C3	1	1						
45	1	114250-01830	COVER	1	1						
46	1	114250-01841	GASKET	1	1						
47	1	24162-152112	BEARING, 152112	1	1						
48	1	24423-355008	SEAL, OIL TC355008	1	1						
49	1	24423-355008	SEAL, OIL TC355008	1	1						
50	1	26106-080122	BOLT, M8X 12 PLATED	1	1						
51	1	114650-02200	BEARING, 0.25 US	1	1						2
52	1	114650-02210	BEARING, 0.50 US	1	1						2
53	1	22312-040080	PIN, PARALLEL M4X 8	2	2						
54	1	114984-01940	PIPE, DRAIN	1	1						
55	1	23000-019000	CLAMP, 19	2	2						
56	1	183366-08351	NIPPLE, DRAIN	2	2						
57	1	22190-160002	WASHER, SEAL 16	2	2						
58	1	160110-01870	PLUG, RUBBER								1
59	1	121252-39450	SWITCH, 0.5KG								1
60	1	23876-010000	PLUG, R01	1	1						

Remarks
 (1) REPAIR PART.
 (2) UNDER-SIZED PART.

Fig.2. CYLINDER HEAD & BONNET

2. CYLINDER HEAD & BONNET

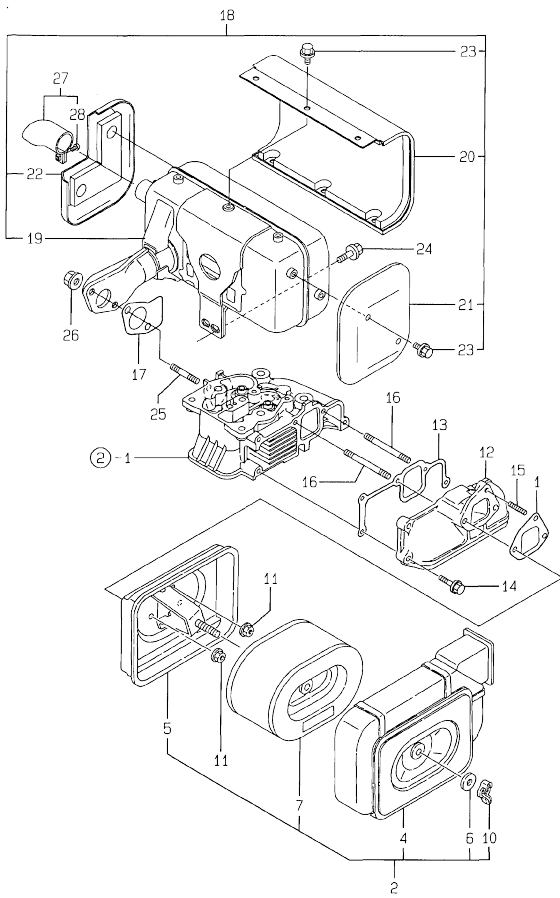


(A)=L100EE-DEVSA
(B)=L100EEDEVSA1
(C)=
(D)=
(E)=
(F)=

No.	Lev.	Parts No.	Description	Q'ty						I	R
				(A)	(B)	(C)	(D)	(E)	(F)		
1	1	114651-11020	HEAD ASSY, CYLINDER	1	1						
6	1	114651-11100	VALVE, INTAKE	1	1						
7	1	114651-11110	VALVE, EXHAUST	1	1						
8	1	114650-11121	SPRING, VALVE	2	2						
9	1	119620-11180	RETAINER, SPRING	2	2						
10	1	114651-11250	SUPPORT ASSY, ARM	1	1						
11	2	114651-11260	SUPPORT, ROCKER ARM	1	1						
12	2	114651-11650	ARM, ROCKER	1	1						
14	3	114250-11240	SCREW, VALVE ADJUST	1	1						
15	3	26856-060002	NUT, M6	1	1						
16	2	114651-11660	ARM, ROCKER	1	1						
18	3	114250-11240	SCREW, VALVE ADJUST	1	1						
19	3	26856-060002	NUT, M6	1	1						
20	2	22242-000150	RING, 15	2	2						
21	1	114650-11340	SEAL, VALVE STEM	2	2						
22	1	104211-11370	CAP VALVE	2	2						
23	1	114771-11461	GASKET, NOZZLE	1	1						
24	1	114771-11470	SPACER, NOZZLE	1	1						
25	1	114650-11600	WASHER	2	2						
26	1	27310-070001	COTTER, 7	2	2						
27	1	26106-060702	BOLT, M6X 70 PLATED	3	3						
28	1	114250-11901	RETAINER, NOZZLE	1	1						
29	1	22351-040008	PIN, SPRING 4.0X 8	1	1						
30	1	26106-080552	BOLT, M8X 55 PLATED	2	2						
31	1	26226-060502	STUD, M6X 50	2	2						
32	1	26366-060002	NUT, M6	2	2						
33	1	114651-11310	GASKET, BONNET	1	1						
34	1	114651-11950	BONNET ASSY, HEAD	1	1						
36	2	114250-03591	LEVER ASSY	1	1						
39	2	114250-03640	SPRING, DECOMPRESSION	1	1						
41	2	22312-030160	PIN, PARALLEL M3X16	1	1						

Fig.3. AIR CLEANER & MUFFLER

3. AIR CLEANER & MUFFLER

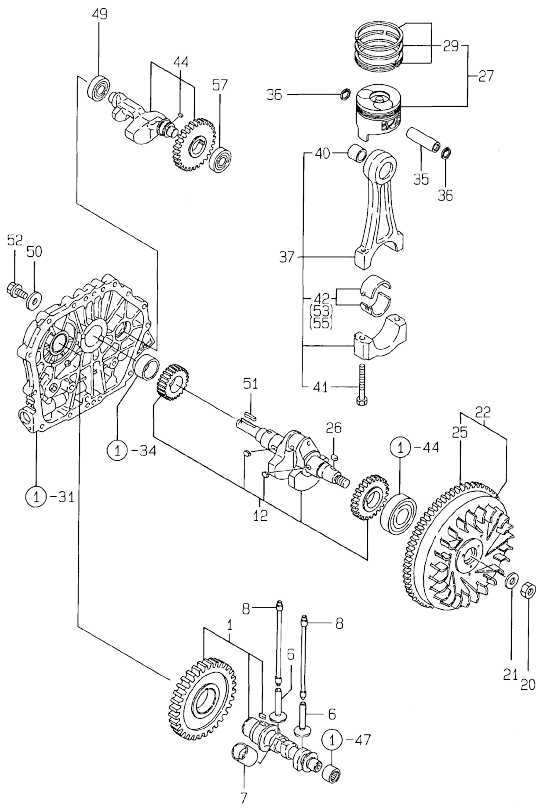


No.	Lev.	Parts No.	Description	Q'ty						I	R
				(A)	(B)	(C)	(D)	(E)	(F)		
1	1	114650-12211	GASKET, AIR CLEANER	1	1						
2	1	714650-12560	CLEANER ASSY, AIR	1	1						
4	2	114650-12520	COVER, AIR CLEANER	1	1						
5	2	114650-12530	CASE ASSY, CLEANER	1	1						
6	2	114252-12560	WASHER, SEAL M8	1	1						
7	2	114650-12590	ELEMENT ASSY	1	1						
10	2	114252-12550	NUT, WING M8	1	1						
11	1	114250-12300	NUT	3	3						
12	1	114699-12020	PIPE, AIR INTAKE	1	1						
13	1	114650-12301	GASKET	1	1						
14	1	26106-060252	BOLT, M6X 25 PLATED	3	3						
15	1	26226-060142	STUD, M6X 14	1	1						
16	1	26226-060752	STUD, M6X 75	2	2						
17	1	114650-13201	GASKET (NON-ASB.)	1	1						
18	1	114674-13550	MUFFLER ASSY	1	1						
19	2	114674-13510	MUFFLER	1	1						
20	2	183382-13700	COVER	1	1						
21	2	114970-13710	COVER	1	1						
22	2	114973-13710	COVER	1	1						
23	2	160260-01580	BOLT, FLANGE M6X6	10	10						
24	1	26106-080162	BOLT, M8X 16 PLATED	2	2						
25	1	26216-080182	STUD, M8X 18	2	2						
26	1	26366-080002	NUT, M8	2	2						
27	1	114658-13800	PIPE	1	1						
28	2	26554-060182	SCREW, M6X18	1	1						

N:Old $\frac{New}{Old}$ New, Q:Old $\frac{New}{Old}$ New, R:Old $\frac{New}{Old}$ New, S:Old $\frac{New}{Old}$ New, W:Add, Z:Discontinued, F:Interchangeable by set, K:Q'ty Change
 Copyright (C) YANMAR CO., LTD. All Rights Reserved.

Fig.4. CRANKSHAFT,PISTON & CAMSHAFT

4. CRANKSHAFT, PISTON & CAMSHAFT



No.	Lev.	Parts No.	Description	Q'ty						
				(A)	(B)	(C)	(D)	(E)	(F)	
1	1	714660-14100	CAMSHAFT ASSY	1	1					
6	1	114650-14200	TAPPET	2	2					
7	1	114771-14260	TAPPET	1	1					
8	1	114650-14401	ROD ASSY, PUSH	2	2					
12	1	714654-21730	CRANKSHAFT ASSY	1	1					
20	1	122710-01220	NUT, CYLINDER HEAD	1	1					
21	1	114650-21551	WASHER	1	1					
22	1	114662-21593	FLYWHEEL ASSY	1	1					
25	2	114662-21601	GEAR, RING	1	1					
26	1	22512-050140	KEY, 5X 14	1	1					
27	1	714652-22720	PISTON ASSY, D	1	1					
29	2	714970-22500	RING SET, PISTON	1	1					
35	1	114699-22300	PIN, PISTON D=23	1	1					
36	1	129792-22400	CIRCLIP, 23	2	2					
37	1	714650-23100	ROD ASSY, CONNECTING	1	1					
40	2	124060-23100	BEARING, PISTON PIN	1	1					
41	2	105300-23200	BOLT, CONNECTING ROD	2	2					
42	2	714650-23600	BEARING, CRANK PIN	1	1					
44	1	714970-28100	SHAFT ASSY, BALANCER	1	1					
49	1	24101-062034	BEARING, BALL 6203	1	1					
50	1	160310-14550	WASHER	1	1					
51	1	22512-070360	KEY, 7X 36	1	1					
52	1	26106-080202	BOLT, M8X 20 PLATED	1	1					
53	1	714650-23610	BEARING ASSY, 0.25	1	1					1
55	1	714650-23620	BEARING, 0.50 US	1	1					2
57	1	24101-063034	BEARING, BALL 6303	1	1					

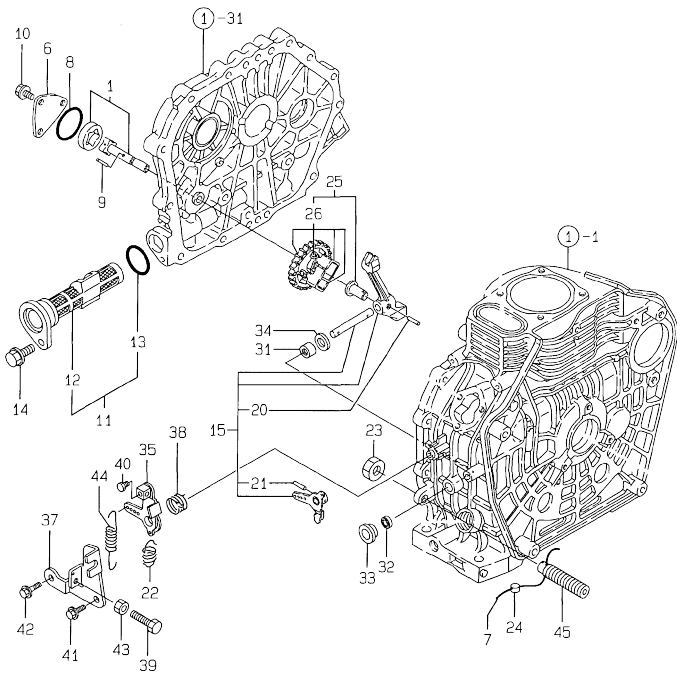
Remarks

- (1) UNDER-SIZE(U.S=0.25)PART.
- (2) UNDER-SIZE(U.S=0.50)PART.

OCV10-M77500

Fig.5. LUB.OIL PUMP & GOVERNOR

5. LUB.OIL PUMP & GOVERNOR



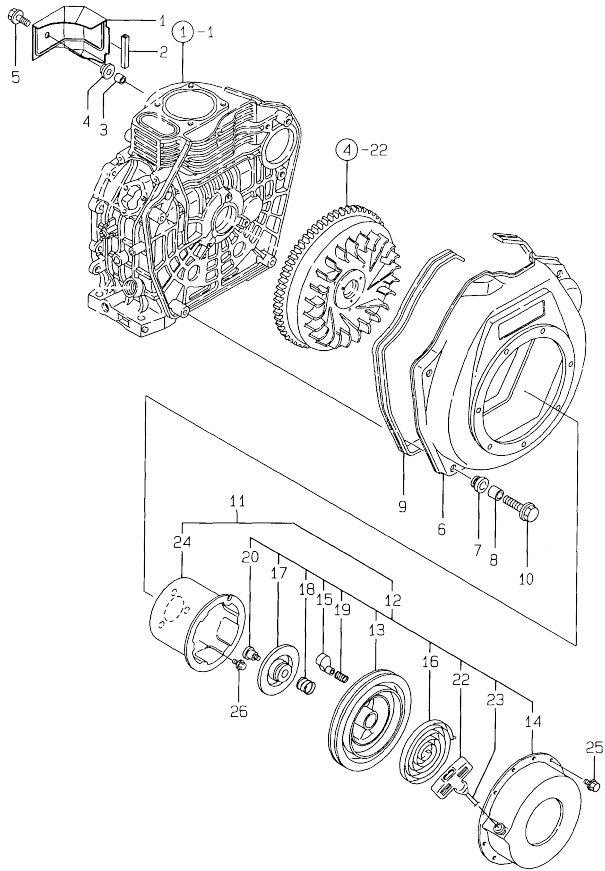
(A)=L100EE-DEVSA
(B)=L100EEDEVSA1
(C)=

(D)=
(E)=
(F)=

No.	Lev.	Parts No.	Description	Q'ty						I	R
				(A)	(B)	(C)	(D)	(E)	(F)		
1	1	114650-32010	PUMP ASSY, OIL	1	1						
6	1	114250-32070	COVER	1	1						
7	1	22451-060000	WIRE, 0.6	2	2						
8	1	103338-32570	O-RING	1	1						
9	1	22312-030160	PIN, PARALLEL M3X16	1	1						
10	1	26476-060142	SCREW, TAPPING M6X14	3	3						
11	1	114250-35110	FILTER ASSY, OIL	1	1						
12	2	114250-35070	FILTER, OIL	1	1						
13	2	24341-000224	O-RING, 1AS22.4	1	1						
14	1	26106-060162	BOLT, M6X 16 PLATED	1	1						
15	1	714685-61500	LEVER ASSY, GOVERNOR	1	1						
20	2	22322-030200	PIN, TAPER 3X20	1	1						
21	2	22322-030200	PIN, TAPER 3X20	1	1						
22	1	114250-66200	SPRING, RETURN	1	1						
23	1	26696-100002	NUT, LOCK M10	1	1						
24	1	135210-61090	LEAD	2	2						
25	1	714685-61700	GOVERNOR ASSY	1	1						
26	2	114685-61210	WEIGHT ASSY,GOVERNOR	1	1						
31	1	114770-61520	BEARING, NEEDLE	2	2						
32	1	114770-61600	SEAL, OIL	1	1						
33	1	114770-61610	WASHER, THRUST	1	1						
34	1	114770-61190	WASHER	1	1						
35	1	114252-66051	HANDLE, REGULATOR	1	1						
37	1	183360-66110	BRACKET	1	1						
38	1	114252-66252	SPRING, RETURN	1	1						
39	1	114250-66440	BOLT, ADJUSTING	1	1						
40	1	105225-66990	SCREW, M5X8.5	1	1						
41	1	26106-060202	BOLT, M6X 20 PLATED	1	1						
42	1	26476-060142	SCREW, TAPPING M6X14	1	1						
43	1	26757-060002	NUT, LOCK M6	1	1						
44	1	114970-66010	SPRING, REGULATOR	1	1						
45	1	114651-66550	LIMITER ASSY, FUEL	1	1						

Fig.6. COOLING & STARTING DEVICE

6.COOLING & STARTING DEVICE



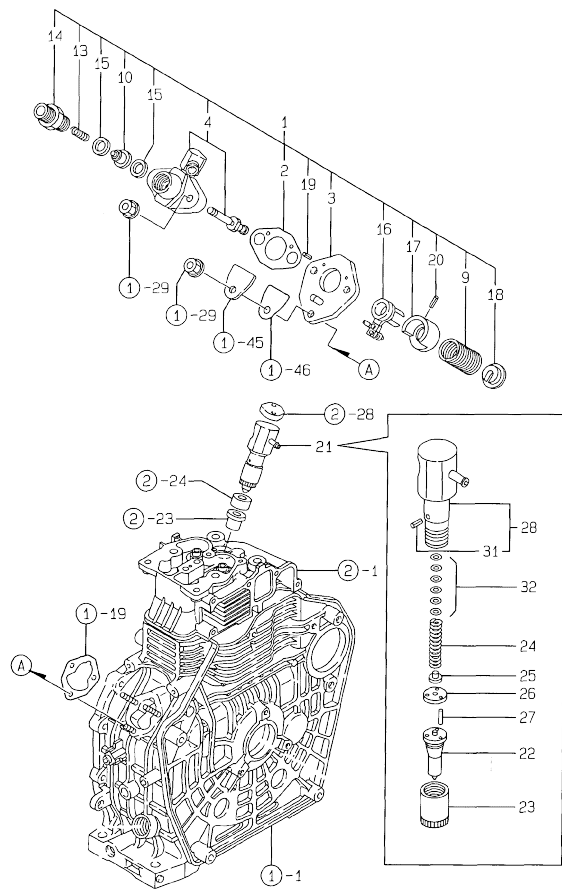
(A)=L100EE-DEVSA
 (B)=L100EEDEVSA1
 (C)=
 (D)=
 (E)=
 (F)=

No.	Lev.	Parts No.	Description	Q'ty						I	R
				(A)	(B)	(C)	(D)	(E)	(F)		
1	1	114650-45201	COVER	1	1						
2	1	114350-45320	RUBBER, SEAL	1	1						
3	1	114350-45340	COLLAR	1	1						
4	1	183720-55210	GROMMET	1	1						
5	1	26476-060202	SCREW, TAPPING M6X20	1	1						
6	1	114668-45102	CASE, COOLING FAN	1	1						
7	1	114250-45301	ABSORBER	4	4						
8	1	114250-45310	COLLAR	4	4						
9	1	114650-45330	SEAL, FAN CASE L=950	1	1						
10	1	114370-45351	BOLT	4	4						
11	1	114660-76052	STARTER ASSY, RECOIL	1	1						
12	2	114660-76251	STARTER ASSY, RECOIL	1	1						
13	3	114880-76520	REEL	1	1						
14	3	114660-76531	CASE, STARTER	1	1						
15	3	114870-76530	RATCHET	2	2						
16	3	114870-76540	SPRING, SPIRAL	1	1						
17	3	114880-76550	GUIDE, RATCHET	1	1						
18	3	114870-76560	SPRING, FRICTION	1	1						
19	3	114870-76570	SPRING, RETURN	2	2						
20	3	114870-76580	SCREW	1	1						
22	3	114870-76620	KNOB, STARTER	1	1						
23	3	114650-76631	ROPE, STARTER	1	1						
24	2	114660-76592	PULLEY, STARTER	1	1						
25	1	26106-060082	BOLT, M6X 8 PLATED	4	4						
26	1	26106-060122	BOLT, M6X 12 PLATED	3	3						

N:Old $\frac{100}{100}$ New, Q:Old $\frac{100}{100}$ New, R:Old $\frac{100}{100}$ New, S:Old $\frac{100}{100}$ New, W:Add, Z:Discontinued, F:Interchangeable by set, K:Q'ty Change
 Copyright (C) YANMAR CO., LTD. All Rights Reserved.

Fig.7. FUEL INJECTION PUMP

7.FUEL INJECTION PUMP

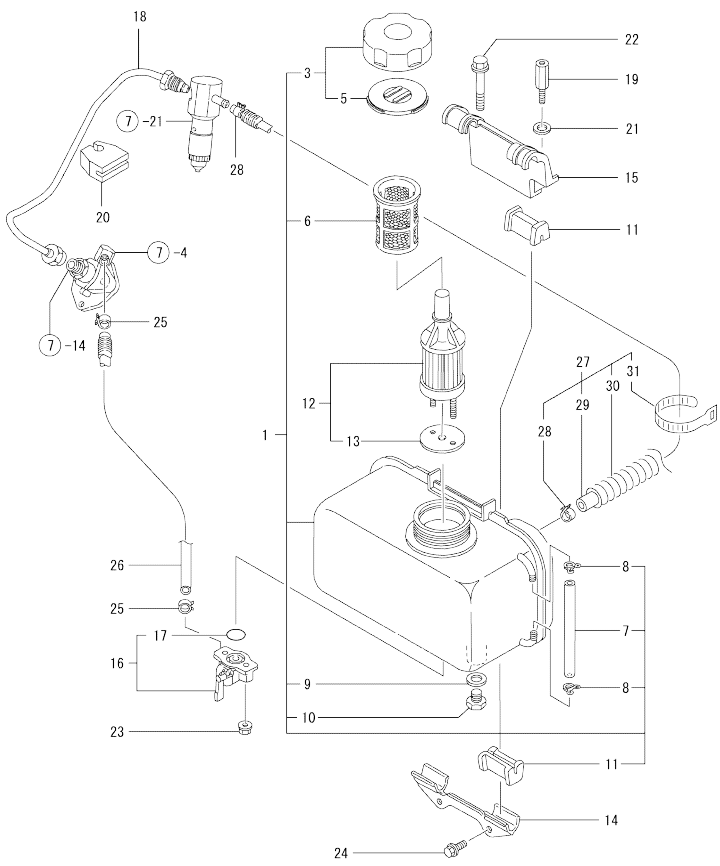


(A)=L100EE-DEVSA
 (B)=L100EEDEVSA1
 (C)=
 (D)=
 (E)=
 (F)=

No.	Lev.	Parts No.	Description	Q'ty						I	R
				(A)	(B)	(C)	(D)	(E)	(F)		
1	1	714970-51700	PUMP ASSY, INJECTION	1	1						
2	2	105546-51020	GASKET	1	1						
3	2	114250-51080	PLATE	1	1						
4	2	114970-51100	BODY ASSY, PUMP	1	1						
9	2	114250-51160	SPRING, PLUNGER	1	1						
10	2	114650-51300	VALVE ASSY, DELIVERY	1	1						
13	2	105546-51330	SPRING, DELIVERY	1	1						
14	2	114250-51340	HOLDER, DELIVERY	1	1						
15	2	124550-51350	GASKET, DELIVERY	2	2						
16	2	114250-51600	LEVER ASSY, CONTROL	1	1						
17	2	114250-51640	SEAT, SPRING A	1	1						
18	2	114250-51650	SEAT, SPRING B	1	1						
19	2	22351-020006	PIN, SPRING 2.0X 6	2	2						
20	2	22351-030008	PIN, SPRING 3.0X 8	1	1						
21	1	714651-53100	VALVE ASSY, INJECTION	1	1						
22	2	114651-53000	VALVE ASSY, INJECTION	1	1						
23	2	119593-53080	NUT, NOZZLE	1	1						
24	2	114250-53120	SPRING, NOZZLE	1	1						
25	2	119593-53130	SEAT, SPRING	1	1						
26	2	114775-53140	SPACER, VALVE STOP	1	1						
27	2	114775-53210	PIN	2	2						
28	2	114775-53100	HOLDER ASSY, NOZZLE	1	1						
31	3	114775-53330	PIN	1	1						
32	2	114250-53400	SHIM SET	1	1						

OCV10-M77500

Fig.8. FUEL TANK & FUEL PIPE

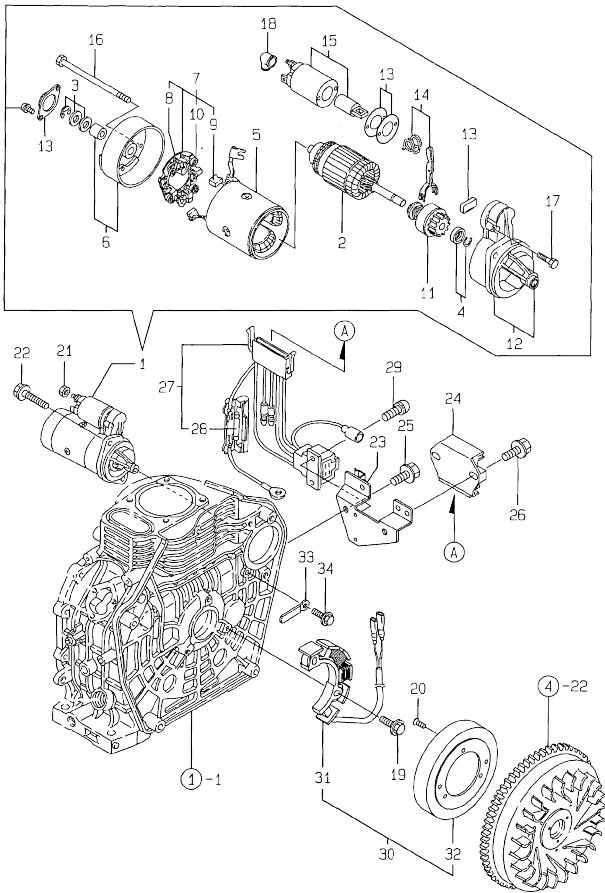


No.	Lev.	Parts No.	Description	Q'ty						I	R
				(A)	(B)	(C)	(D)	(E)	(F)		
1	1	714650-55130	TANK ASSY, FUEL	1	1						
3	2	114288-55041	CAP ASSY	1	1						
5	3	114288-55081	VALVE	1	1						
6	2	114250-55100	FILTER, FUEL	1	1						
7	2	114650-55150	GAUGE, LEVEL	1	1						
8	2	103854-55220	RETAINER	2	2						
9	2	23414-080000	GASKET, 8X1.0	1	1						
10	2	105300-55080	PLUG, 8	1	1						
11	2	114250-55201	DAMPER, FUEL TANK	4	4						
12	1	114250-55121	FILTER ASSY, FUEL	1	1						
13	2	114250-55130	GASKET	1	1						
14	1	114299-55210	STAY, FUEL TANK	1	1						
15	1	114699-55230	STAY, FUEL TANK	1	1						
16	1	114250-55300	COCK ASSY, FUEL	1	1						
17	2	24341-000150	O-RING, 1AS15.0	1	1						
18	1	114651-59802	PIPE ASSY, INJECTION	1	1						
19	1	114650-55810	BOLT	1	1						
20	1	114650-59850	SUPPORT	1	1						
21	1	22117-080000	WASHER, 8	1	1						
22	1	26106-080452	BOLT, M8X 45 PLATED	1	1						
23	1	26366-060002	NUT, M6	2	2						
24	1	26476-060142	SCREW, TAPPING M6X14	2	2						
25	1	106990-44660	CLIP, HOSE 12.5	2	2						
26	1	114268-59061	PIPE, FUEL L=50	1	1						
27	1	114652-59300	PIPE, FUEL RETURN	1	1						
28	2	124722-59050	CLIP, HOSE 9	2	2						
29	2	114650-59060	PIPE, FUEL RETURN	1	1						
30	2	114652-59310	TUBE, PROTECT	1	1						
31	2	121750-59890	BAND, 140	1	1						

N:Old $\frac{New}{Old}$ New, Q:Old $\frac{New}{Old}$ New, R:Old $\frac{New}{Old}$ New, S:Old $\frac{New}{Old}$ New, W:Add, Z:Discontinued, F:Interchangeable by set, K:Q'ty Change
 Copyright (C) YANMAR CO., LTD. All Rights Reserved.

Fig.9. STARTING MOTOR & DYNAMO

9.STARTING MOTOR & DYNAMO

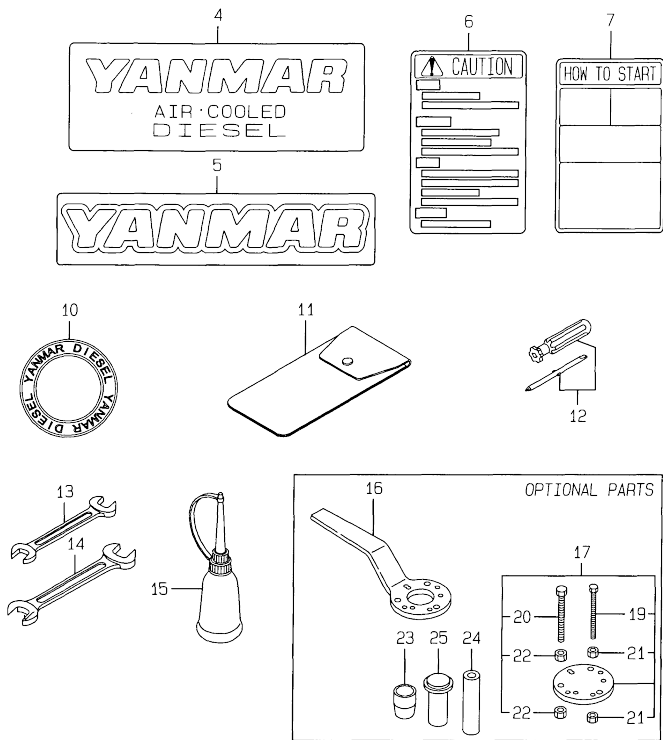


(A)=L100EE-DEVSA
 (B)=L100EEDEVSA1
 (C)=
 (D)=
 (E)=
 (F)=

No.	Lev.	Parts No.	Description	Qty						I	R
				(A)	(B)	(C)	(D)	(E)	(F)		
1	1	114362-77011	STARTER(S114-651A)	1	1						
2	2	114381-77110	ARMATURE	1	1						
3	2	X2114811000	WASHER KIT, THRUST	1	1						
4	2	X2114715500	STOPPER SET, PINION	1	1						
5	2	114381-77130	COIL ASSY, FIELD	1	1						
6	2	114381-77140	COVER, REAR	1	1						
7	2	114371-77160	HOLDER ASSY, BRUSH	1	1						
8	3	114371-79040	BRUSH (-)	2	2						
9	3	114371-79050	BRUSH (+)	1	1						
10	3	114371-79060	SPRING, BRUSH	4	4						
11	2	X2114455080	PINION ASSY	1	1						
12	2	114381-77150	HOUSING ASSY, GEAR	1	1						
13	2	114371-77170	COVER KIT, DUST	1	1						
14	2	X2114560130	LEVER KIT, SHIFT	1	1						
15	2	X2114275010	SWITCH ASSY, MAGNET	1	1						
16	2	X2114680050	BOLT, THROUGH	2	2						
17	2	114371-79070	BOLT M 6X 37	2	2						
18	2	X2114274200	COVER, TERMINAL	1	1						
19	1	26106-060202	BOLT, M6X 20 PLATED	3	3						
20	1	26577-060142	SCREW M 6X 14	3	3						
21	1	26716-080002	NUT, M8	1	1						
22	1	26106-100302	BOLT, M10X 30 PLATED	2	2						
23	1	114385-77400	BRACKET	1	1						
24	1	119660-77710	LIMITER, CURRENT 15A	1	1						
25	1	26106-060122	BOLT, M6X 12 PLATED	2	2						
26	1	26106-060202	BOLT, M6X 20 PLATED	2	2						
27	1	114351-77540	HARNESS, WIRE	1	1						
28	2	29411-200000	FUSE, CARTRIDGE 20A	2	2						
29	1	26023-040102	SCREW, M4X10	2	2						
30	1	114351-78261	DYNAMO ASSY	1	1						
31	2	114351-78771	STATOR ASSY	1	1						
32	2	114351-78781	WHEEL, DYNAMO	1	1						
33	1	160710-78710	CLAMP, CORD	1	1						
34	1	26106-060122	BOLT, M6X 12 PLATED	1	1						

Fig.10. TOOL & LABEL

10. TOOL & LABEL



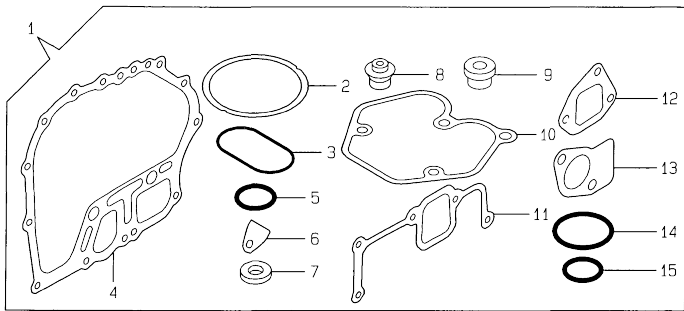
No.	Lev.	Parts No.	Description	Q'ty						
				(A)	(B)	(C)	(D)	(E)	(F)	
4	1	114250-07090	LABEL, AIR COOLED	1	1					
5	1	114250-07111	LABEL, YANMAR	1	1					
6	1	114268-07240	LABEL, CAUTION	1	1					
7	1	114268-07350	LABEL, HOW TO START	1	1					
10	1	114261-07350	LABEL	1	1					
11	1	114250-92600	BAG, TOOL	1	1					
12	1	160330-92730	DRIVE, SCREW	1	1					
13	1	28110-100120	SPANNER, 10X12	1	1					
14	1	28110-140170	SPANNER, 14X17	1	1					
15	1	28210-000150	OILER	1	1					
16	1	114250-92101	F.W. LOCKING HANDLE	1	1					1
17	1	114250-92130	REMOVER, FLYWHEEL	1	1					1
19	2	26116-060454	BOLT M 6X 45 PLATED	4	4					1
20	2	26116-080454	BOLT, M8X 45 PLATED	3	3					1
21	2	26716-060002	NUT, M6	8	8					1
22	2	26716-080002	NUT, M8	6	6					1
23	1	114668-92300	GUIDE, OIL SEAL	1	1					1
24	1	114650-92310	INSTALLING TOOL	1	1					1
25	1	114650-92350	INSTALLING TOOL	1	1					1

Remarks
(1) OPTIONAL PART.

OCV10-M77500

Fig.11. GASKET SET

11. GASKET SET



No.	Lev.	Parts No.	Description	Q'ty						I	R
				(A)	(B)	(C)	(D)	(E)	(F)		
1	1	714651-92600	GASKET SET	1	1						1
2	2	114651-01330	GASKET SET, HEAD	1	1						
3	2	114650-01380	O-RING	1	1						
4	2	114650-01412	GASKET, CRANK CASE	1	1						
5	2	114299-01950	O-RING, 18	2	2						
6	2	114250-01841	GASKET	1	1						
7	2	22190-160002	WASHER, SEAL 16	2	2						
8	2	114650-11340	SEAL, VALVE STEM	2	2						
9	2	114771-11461	GASKET, NOZZLE	1	1						
10	2	114651-11310	GASKET, BONNET	1	1						
11	2	114650-12301	GASKET	1	1						
12	2	114650-12211	GASKET, AIR CLEANER	1	1						
13	2	114650-13201	GASKET (NON-ASB.)	1	1						
14	2	103338-32570	O-RING	1	1						
15	2	24341-000224	O-RING, 1AS22.4	1	1						

Remarks
(1) OPTIONAL PART.

N:Old $\frac{100}{100}$ New, Q:Old $\frac{100}{100}$ New, R:Old $\frac{100}{100}$ New, S:Old $\frac{100}{100}$ New, W:Add, Z:Discontinued, F:Interchangeable by set, K:Qty Change
Copyright (C) YANMAR CO., LTD. All Rights Reserved.

Parts No. Index

Parts No.	Fig. No.	Ref. No.
103338-32570	5	8
	11	14
103854-55220	8	8
104211-11370	2	22
105025-01220	1	8
105225-66990	5	40
105300-23200	4	41
105300-55080	8	10
105425-01690	1	38
105546-51020	7	2
105546-51330	7	13
106990-44660	8	25
114250-01800	1	19
114250-01830	1	45
114250-01841	1	46
	11	6
114250-03591	2	36
114250-03640	2	39
114250-07090	10	4
114250-07111	10	5
114250-11240	2	14
		18
114250-11901	2	28
114250-12300	3	11
114250-32070	5	6
114250-35070	5	12
114250-35110	5	11
114250-35150	1	36
114250-45301	6	7
114250-45310	6	8
114250-51080	7	3
114250-51160	7	9
114250-51340	7	14
114250-51600	7	16
114250-51640	7	17
114250-51650	7	18
114250-53120	7	24
114250-53400	7	32
114250-55100	8	6
114250-55121	8	12
114250-55130	8	13
114250-55201	8	11
114250-55300	8	16
114250-66200	5	22
114250-66440	5	39
114250-92101	10	16
114250-92130	10	17
114250-92600	10	11
114252-12550	3	10
114252-12560	3	6

Parts No.	Fig. No.	Ref. No.
114252-66051	5	35
114252-66252	5	38
114261-07350	10	10
114268-07240	10	6
114268-07350	10	7
114268-59061	8	26
114270-01600	1	26
114288-55041	8	3
114288-55081	8	5
114299-01950	1	41
	11	5
114299-02030	1	43
114299-55210	8	14
114350-01700	1	6
114350-45320	6	2
114350-45340	6	3
114351-77540	9	27
114351-78261	9	30
114351-78771	9	31
114351-78781	9	32
114362-77011	9	1
114370-45351	6	10
114371-77160	9	7
114371-77170	9	13
114371-79040	9	8
114371-79050	9	9
114371-79060	9	10
114371-79070	9	17
114381-77110	9	2
114381-77130	9	5
114381-77140	9	6
114381-77150	9	12
114385-77400	9	23
114650-01230	1	9
114650-01240	1	10
114650-01250	1	11
114650-01260	1	12
114650-01380	1	25
	11	3
114650-01412	1	30
	11	4
114650-02100	1	34
114650-02150	1	44
114650-02200	1	51
114650-02210	1	52
114650-11121	2	8
114650-11340	2	21
	11	8
114650-11600	2	25
114650-12211	3	1

Parts No.	Fig. No.	Ref. No.
114650-12211	11	12
114650-12301	3	13
	11	11
114650-12520	3	4
114650-12530	3	5
114650-12590	3	7
114650-13201	3	17
	11	13
114650-14200	4	6
114650-14401	4	8
114650-21551	4	21
114650-32010	5	1
114650-45201	6	1
114650-45330	6	9
114650-51300	7	10
114650-55150	8	7
114650-55810	8	19
114650-59060	8	29
114650-59850	8	20
114650-76631	6	23
114650-92310	10	24
114650-92350	10	25
114651-01330	1	13
	11	2
114651-11020	2	1
114651-11100	2	6
114651-11110	2	7
114651-11250	2	10
114651-11260	2	11
114651-11310	2	33
	11	10
114651-11650	2	12
114651-11660	2	16
114651-11950	2	34
114651-53000	7	22
114651-59802	8	18
114651-66550	5	45
114652-59300	8	27
114652-59310	8	30
114658-13800	3	27
114660-01471	1	31
114660-76052	6	11
114660-76251	6	12
114660-76531	6	14
114660-76592	6	24
114662-21593	4	22
114662-21601	4	25
114668-45102	6	6
114668-92300	10	23
114674-13510	3	19

Parts No.	Fig. No.	Ref. No.
114674-13550	3	18
114685-61210	5	26
114699-01760	1	39
114699-12020	3	12
114699-22300	4	35
114699-55230	8	15
114770-61190	5	34
114770-61520	5	31
114770-61600	5	32
114770-61610	5	33
114771-11461	2	23
	11	9
114771-11470	2	24
114771-14260	4	7
114775-53100	7	28
114775-53140	7	26
114775-53210	7	27
114775-53330	7	31
114870-76530	6	15
114870-76540	6	16
114870-76560	6	18
114870-76570	6	19
114870-76580	6	20
114870-76620	6	22
114880-76520	6	13
114880-76550	6	17
114970-13710	3	21
114970-51100	7	4
114970-66010	5	44
114973-13710	3	22
114984-01940	1	54
119593-53080	7	23
119593-53130	7	25
119620-11180	2	9
119660-77710	9	24
121252-39450	1	59
121750-59890	8	31
122710-01220	4	20
124060-23100	4	40
124550-51350	7	15
124722-59050	8	28
129792-22400	4	36
135210-61090	5	24
160110-01870	1	58
160260-01580	3	23
160310-14550	4	50
160330-92730	10	12
160710-78710	9	33
183360-66110	5	37
183366-08351	1	56

Parts No. Index

Parts No.	Fig. No.	Ref. No.
183382-13700	3	20
183720-55210	6	4
22117-080000	8	21
22190-160002	1	42
		57
	11	7
22242-000150	2	20
22312-030160	2	41
	5	9
22312-040080	1	53
22322-030200	5	20
		21
22351-020006	7	19
22351-030008	7	20
22351-040008	2	29
22451-060000	5	7
22512-050140	4	26
22512-070360	4	51
23000-019000	1	55
23414-080000	8	9
23876-010000	1	60
24101-062034	4	49
24101-063034	4	57
24162-152112	1	47
24341-000150	8	17
24341-000224	5	13
	11	15
24423-355008	1	48
		49
26023-040102	9	29
26106-060082	6	25
26106-060122	6	26
	9	25
		34
26106-060162	5	14
26106-060202	5	41
	9	19
		26
26106-060252	3	14
26106-060702	2	27
26106-080122	1	50
26106-080162	3	24
26106-080202	4	52
26106-080352	1	37
26106-080452	8	22
26106-080552	2	30
26106-100122	1	7
26106-100302	9	22
26116-060454	10	19
26116-080454	10	20

Parts No.	Fig. No.	Ref. No.
26216-080182	3	25
26226-060142	3	15
26226-060182	1	27
26226-060222	1	28
26226-060502	2	31
26226-060752	3	16
26366-060002	1	29
	2	32
	8	23
26366-080002	3	26
26476-060142	5	10
		42
	8	24
26476-060202	6	5
26554-060182	3	28
26577-060142	9	20
26696-100002	5	23
26716-060002	10	21
26716-080002	9	21
	10	22
26757-060002	5	43
26856-060002	2	15
		19
27310-070001	2	26
28110-100120	10	13
28110-140170	10	14
28210-000150	10	15
29411-200000	9	28
714650-12560	3	2
714650-23100	4	37
714650-23600	4	42
714650-23610	4	53
714650-23620	4	55
714650-55130	8	1
714651-53100	7	21
714651-92600	11	1
714652-22720	4	27
714654-21730	4	12
714660-14100	4	1
714685-61500	5	15
714685-61700	5	25
714970-01560	1	1
714970-22500	4	29
714970-28100	4	44
714970-51700	7	1
X2114274200	9	18
X2114275010	9	15
X2114455080	9	11
X2114560130	9	14
X2114680050	9	16

Parts No.	Fig. No.	Ref. No.
X2114715500	9	4
X2114811000	9	3

Parts No.	Fig. No.	Ref. No.
-----------	----------	----------