

0CW10-M12000EN

# Introduction

1. This parts catalog is a first edition of the L100EE-DEGLE1YC Diesel engine for PRAMAC LIFTER.

	Parts catalog No.	Date of issue	Remarks
First edition	000Y00W1200	July, 2006	

2. This parts catalog does not contain the technical data needed for maintenance service.

3. The illustrations used in this parts catalog have been simplified for clarity.

4. The contents of this parts catalog are subject to change without notice.

5. Be sure to use only Yanmar genuine parts for repairs. If imitation parts are used, it may cause engine defects.

## Directions for the Parts Catalog.

1. The parts stipulated in this Parts Catalog are not necessarily standard equipped parts.
2. Parts may change without prior notice.
3. The following is an example of the Parts Catalog format.

REF.	LEV.	PARTS NO.	DESCRIPTION	Q'TY						I	R
				(A)	(B)	(C)	(D)	(E)	(F)		
1	1	729595-51390	FUEL INJECTION PUMP	1	1	1	1	1			1
1-1	1	729595-51391	FUEL INJECTION PUMP	1	1	1	1	1		N	1
		(A=E00185) (B=E00200)									
3	2	26022-060162	SCREW M 6X 16	9	9	9	9	9			
3-1	2	26022-060162	SCREW M 6X 16	4	4	4	4	4		K	
		(A=E00156) (B=E00156) (C=E00156) (D=E00156) (E=E00156)									
4	2	129470-51040	CAMSHAFT	1	1	1	1	1			
5	2	122710-51050	BEARING, ROLLER	2	2	2	2	2			
6	2	129470-51060	RETAINER	1	1	1	1	1			

Remarks
(1) BOOST COMPEMSATOR TYPE. OPTIONAL PART, TO E00155,(4JH-DT, 4JH-DTZ

### ① Ref. No.

The Ref. No. listed may not be in accordance with the illustration Ref. No.

(Ex.) Illustration No.

List Ref No.

1 1 (Before change) → 1-1 (After change)

For interchangeable symbols N, R and K, illustrations for new parts may be abbreviated.

### ② Lev. (Level)

Level indication

The numbers below indicate the level of relativity towards the main part.

1 ---- Main parts (Assembly parts)

2 ---- Sub component included in " 1 ".

3 ---- Sub component included in " 2 ".

Note) Parts that are not for sale are partially illustrated but not listed.

### ③ Interchangeability Mark

When a part change takes place, one of the following interchangeability symbols is indicated beside the part.

Symbol	Interchangeability	Contents note
N	Old $\begin{matrix} \leftarrow \text{Yes} \\ \text{No} \rightarrow \end{matrix}$ New	New Part is interchangeable for Old Part but Old Part is not interchangeable for New Part.
Q	Old $\begin{matrix} \leftarrow \text{No} \\ \text{Yes} \rightarrow \end{matrix}$ New	New Part is not interchangeable for Old Part but Old Part is interchangeable for New Part.
R	Old $\begin{matrix} \leftarrow \text{Yes} \\ \text{Yes} \rightarrow \end{matrix}$ New	New/ Old Parts are both interchangeable.
S	Old $\begin{matrix} \leftarrow \text{No} \\ \text{No} \rightarrow \end{matrix}$ New	New/ Old Parts are both not interchangeable.
W		Part newly added.
Z		Part discontinued.
F		Not interchangeable by a single part but interchangeable together with related parts.
K		Changes only for used parts quantities.

### ④ Effective Machine No.

When a part changes, the effective Machine No. will be indicated in the (A)-(F) column.

Product Symbol	Product No.	Product Symbol	Product No.
C	Clutch No. Compressor No.	F	Machine No. (Agricultural Equip.)
D	Drive No.	M	Machine No.
E	Engine No.		

Note 1) A date may follow the symbol. (Ex.) 1996.01

Note 2) "XXXXX" and "ZZZZZ" are for parts that could not be predicted or for engine models that could not be identified.

Note 3) (A=E00185) is the E (Engine Serial Number) for the column (A) model (in this case 4JH-DT) after the parts design change.

### ⑤ Remarks Mark

Figures or alphabets (symbols) are entered in the remarks column.

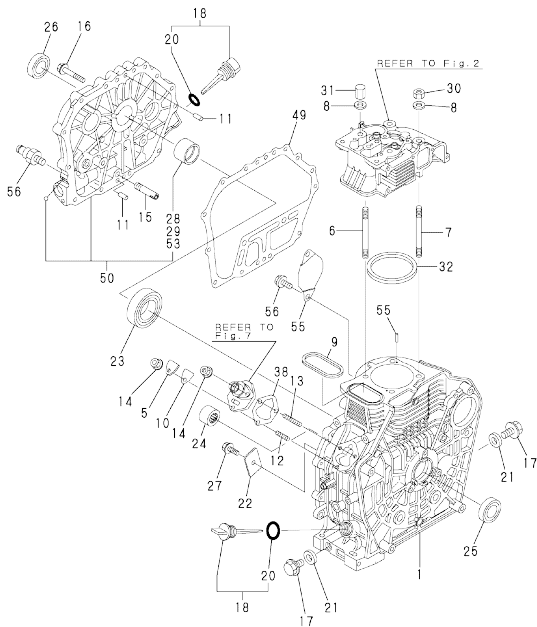
The comments (remarks) on parts that are indicated at the bottom of the illustration are the same symbols as those stated above.

## Contents

Fig. No.	Fig. Name	Fig. No.	Fig. Name
L100EE-DEGLE1YC			
1.	CYLINDER BLOCK		
2.	CYLINDER HEAD & BONNET		
3.	AIR CLEANER & MUFFLER		
4.	CRANKSHAFT,PISTON & CAMSHAFT		
5.	LUB.OIL PUMP & GOVERNOR		
6.	COOLING & STARTING DEVICE		
7.	FUEL INJECTION PUMP & FUEL INJECTION VALVE		
8.	STARTING MOTOR & DYNAMO		
9.	TOOL,LABEL & GASKET SET		

OCW10-M12000

Fig.1. CYLINDER BLOCK



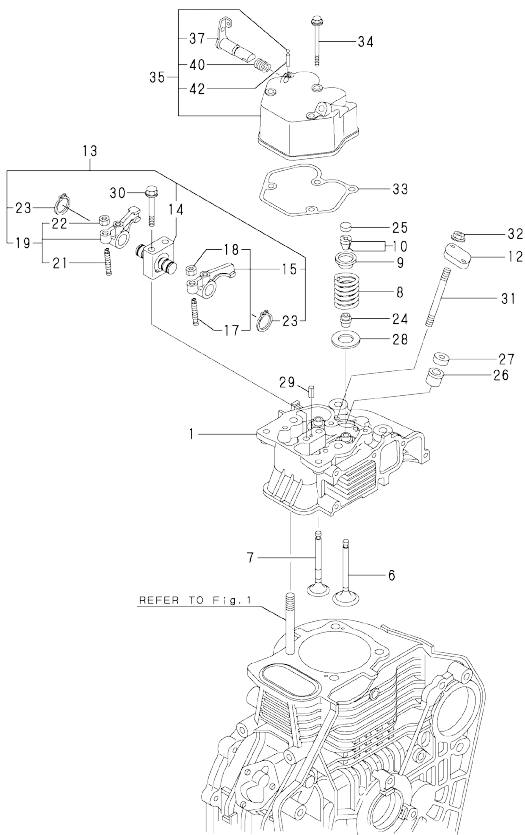
No.	Lev.	Parts No.	Description	Q'ty						I	R
				(A)	(B)	(C)	(D)	(E)	(F)		
1	1	114695-01050	BLOCK ASSY, CYLINDER	1							
5	1	114299-01830	COVER	1							
6	1	114699-01200	BOLT, HEAD	2							
7	1	114699-01210	BOLT, HEAD	2							
8	1	114699-01250	WASHER	4							
9	1	114699-01380	O-RING	1							
10	1	114250-01841	GASKET	1							
11	1	114299-01600	PIN, 8X12	2							
12	1	26226-060182	STUD, M6X 18	1							
13	1	26226-060222	STUD, M6X 22	2							
14	1	26366-060002	NUT, M6	3							
15	1	114299-35150	PIPE, OIL INLET	1							
16	1	26106-080352	BOLT, M8X 35 PLATED	16							
17	1	114299-01690	PLUG M16	2							
18	1	114699-01760	CAP ASSY	2							
20	2	114299-01950	O-RING, 18	2							
21	1	22190-160002	WASHER, SEAL 16	2							
22	1	114299-02030	RETAINER, BEARING	1							
23	1	114650-02150	BEARING, HR6308G3C3	1							
24	1	24162-152112	BEARING, 152112	1							
25	1	24423-355008	SEAL, OIL TC355008	1							
26	1	24423-355008	SEAL, OIL TC355008	1							
27	1	26106-080122	BOLT, M8X 12 PLATED	1							
28	1	114650-02200	BEARING, 0.25 US	1							2
29	1	114650-02210	BEARING, 0.50 US	1							3
30	1	114699-01220	NUT, CYLINDER HEAD A	2							
31	1	114699-01230	NUT, CYLINDER HEAD B	2							
32	1	114695-01330	GASKET, HEAD	1							
38	1	114299-01800	SHIM SET	1							
49	1	114699-01410	GASKET, CRANK CASE	1							
50	1	114699-01450	COVER, CRANK CASE	1							
53	2	114650-02100	BEARING, MAIN	1							1
55	1	22312-040080	PIN, PARALLEL M4X 8	2							
56	1	183250-39450	SWITCH, 1.0KG	1							

Remarks

- (1)REPAIR PART.
- (2)UNDER SIZED(U.S.=0.25)PART.
- (3)UNDER SIZED(U.S.=0.50)PART.

N:Old  $\frac{New}{Old}$  New, Q:Old  $\frac{New}{Old}$  New, R:Old  $\frac{New}{Old}$  New, S:Old  $\frac{New}{Old}$  New, W:Add, Z:Discontinued, F:Interchangeable by set, K:Q'ty Change  
 Copyright (C) YANMAR CO., LTD. All Rights Reserved.

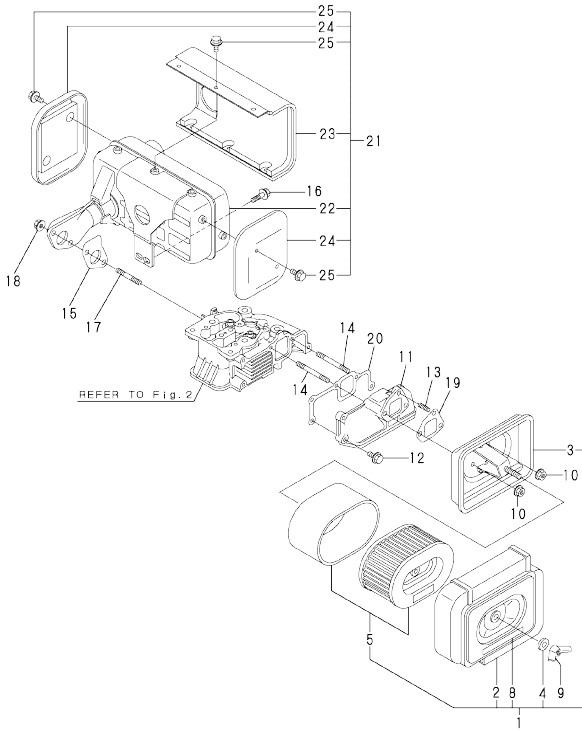
Fig.2. CYLINDER HEAD & BONNET



No.	Lev.	Parts No.	Description	Q'ty						I	R
				(A)	(B)	(C)	(D)	(E)	(F)		
1	1	114651-11020	HEAD ASSY, CYLINDER	1							
6	1	114651-11100	VALVE, INTAKE	1							
7	1	114651-11110	VALVE, EXHAUST	1							
8	1	114699-11120	SPRING, VALVE	2							
9	1	119620-11180	RETAINER, SPRING	2							
10	1	27310-070001	COTTER, 7	2							
12	1	114299-11901	RETAINER, NOZZLE	1							
13	1	114651-11250	SUPPORT ASSY, ARM	1							
14	2	114651-11260	SUPPORT, ROCKER ARM	1							
15	2	114651-11650	ARM, ROCKER	1							
17	3	114250-11240	SCREW, VALVE ADJUST	1							
18	3	26856-060002	NUT, M6	1							
19	2	114651-11660	ARM, ROCKER	1							
21	3	114250-11240	SCREW, VALVE ADJUST	1							
22	3	26856-060002	NUT, M6	1							
23	2	22242-000150	RING, 15	2							
24	1	114650-11340	SEAL, VALVE STEM	2							
25	1	104211-11370	CAP, VALVE	2							
26	1	114771-11461	GASKET, NOZZLE	1							
27	1	114295-11470	SPACER, NOZZLE	1							
28	1	114699-11600	WASHER	2							
29	1	22351-040008	PIN, SPRING 4.0X 8	1							
30	1	26106-080552	BOLT, M8X 55 PLATED	2							
31	1	26226-060552	STUD, M6X 55	2							
32	1	26366-060002	NUT, M6	2							
33	1	114651-11310	GASKET, BONNET	1							
34	1	26106-060702	BOLT, M6X 70 PLATED	3							
35	1	114651-11950	BONNET ASSY, HEAD	1							
37	2	114250-03591	LEVER ASSY	1							
40	2	114250-03640	SPRING, DECOMPRESSION	1							
42	2	22312-030160	PIN, PARALLEL M3X16	1							

OCW10-M12000

Fig.3. AIR CLEANER & MUFFLER

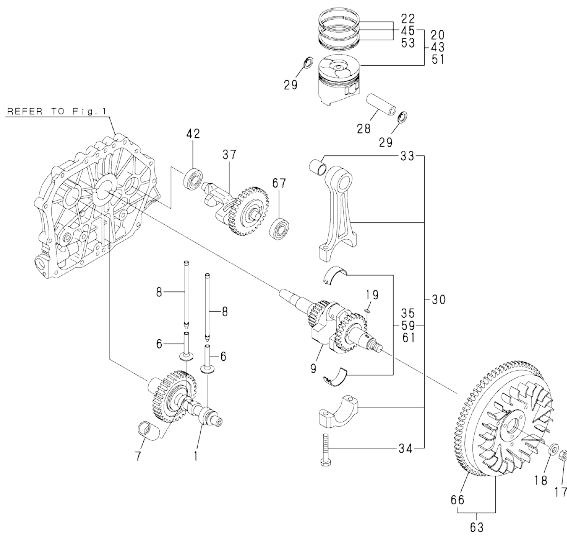


No.	Lev.	Parts No.	Description	Q'ty					
				(A)	(B)	(C)	(D)	(E)	(F)
1	1	114980-12510	CLEANER ASSY, AIR	1					
2	2	114650-12520	COVER, AIR CREAMER	1					
3	2	114980-12530	CASE ASSY, CLEANER	1					
4	2	114252-12560	WASHER, SEAL M8	1					
5	2	114650-12590	ELEMENT ASSY	1					
8	2	114650-07450	LABEL, AIR CLEANER	1					
9	1	114252-12550	NUT, WING M8	1					
10	1	114299-12300	NUT	3					
11	1	114699-12020	PIPE, AIR INTAKE	1					
12	1	26106-060252	BOLT, M6X 25 PLATED	3					
13	1	26226-060142	STUD, M6X 14	1					
14	1	114310-45360	STUD BOLT, TOP COVER	2					
15	1	114699-13200	GASKET, MUFFLER	1					
16	1	26106-080182	BOLT, M8X 18 PLATED	2					
17	1	26216-080182	STUD, M8X 18	2					
18	1	26366-080002	NUT, M8	2					
19	1	114699-12210	GASKET, AIR CLEANER	1					
20	1	114699-12200	GASKET	1					
21	1	114699-13552	MUFFLER ASSY	1					
22	2	114699-13562	MUFFLER	1					
23	2	114699-13700	COVER A, MUFFLER	1					
24	2	114699-13710	COVER	2					
25	2	114699-13720	BOLT, M6	10					

N:Old  $\frac{100}{100}$  New, Q:Old  $\frac{100}{100}$  New, R:Old  $\frac{100}{100}$  New, S:Old  $\frac{100}{100}$  New, W:Add, Z:Discontinued, F:Interchangeable by set, K:Q'ty Change  
 Copyright (C) YANMAR CO., LTD. All Rights Reserved.

OCW10-M12000

Fig.4. CRANKSHAFT,PISTON & CAMSHAFT



No.	Lev.	Parts No.	Description	Q'ty						I	R
				(A)	(B)	(C)	(D)	(E)	(F)		
1	1	714699-14580	CAMSHAFT ASSY	1							
6	1	114699-14200	TAPPET	2							
7	1	114771-14260	TAPPET	1							
8	1	114650-14402	ROD ASSY, PUSH	2							
9	1	714658-21700	CRANKSHAFT ASSY	1							
17	1	114699-21220	NUT	1							
18	1	114699-21550	WASHER	1							
19	1	22512-050140	KEY, 5X 14	1							
20	1	714652-22720	PISTON ASSY, D	1							
22	2	714970-22500	RING SET, PISTON	1							
28	1	114699-22300	PIN, PISTON D=23	1							
29	1	129792-22400	CIRCLIP, 23	2							
30	1	714699-23700	ROD ASSY, CONNECTING	1							
33	2	124060-23100	BEARING, PISTON PIN	1							
34	2	105300-23200	BOLT, CONNECTING ROD	2							
35	2	714650-23600	BEARING, CRANK PIN	1							
37	1	714970-28511	SHAFT ASSY, BALANCER	1							
42	1	24101-062030	BEARING, BALL 6203C3	1							
43	1	114652-22040	PISTON ASSY, 0.25 OS	1							1
45	2	114652-22140	RING SET, 0.25 OS	1							1
51	1	114652-22050	PISTON ASSY, 0.50 OS	1							2
53	2	114652-22150	RING SET, 0.50 OS	1							2
59	1	714650-23610	BEARING ASSY, 0.25	1							3
61	1	714650-23620	BEARING, 0.50 US	1							4
63	1	114699-21590	FLYWHEEL ASSY	1							
66	2	114662-21601	GEAR, RING	1							
67	1	24101-063030	BEARING, BALL 6303C3	1							

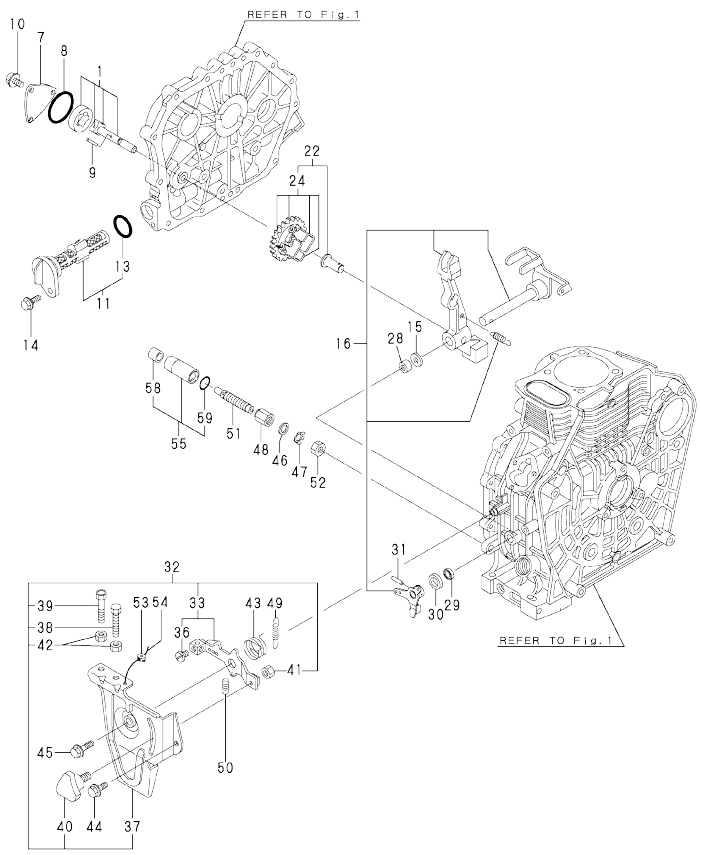
Remarks

- (1) OVER SIZED (O.S.=0.25) PART.
- (2) OVER SIZED (O.S.=0.50) PART.
- (3) UNDER SIZED (U.S.=0.25) PART.
- (4) UNDER SIZED (U.S.=0.50) PART.



OCW10-M12000

Fig.5. LUB.OIL PUMP & GOVERNOR

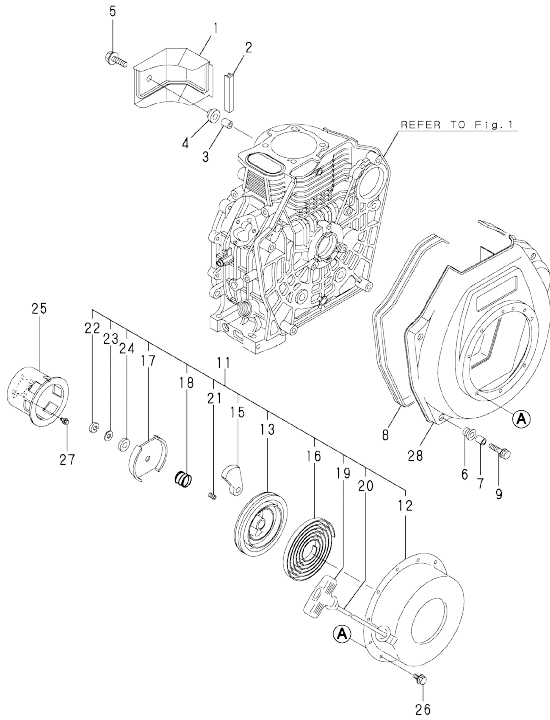


No.	Lev.	Parts No.	Description	Q'ty						I	R
				(A)	(B)	(C)	(D)	(E)	(F)		
1	1	114650-32010	PUMP ASSY, OIL	1							
7	1	114299-32070	COVER	1							
8	1	114299-32570	O-RING	1							
9	1	22312-030160	PIN, PARALLEL M3X16	1							
10	1	26106-060122	BOLT, M6X 12 PLATED	3							
11	1	114299-35110	FILTER ASSY, OIL	1							
13	2	24341-000224	O-RING, 1AS22.4	1							
14	1	26106-060162	BOLT, M6X 16 PLATED	1							
15	1	114299-61190	WASHER	1							
16	1	114699-61190	LEVER ASSY, GOVERNOR	1							
22	1	714699-61700	GOVERNOR ASSY	1							
24	2	114699-61210	WEIGHT ASSY, GOVERNOR	1							
28	1	114295-61520	NEEDLE BEARING	2							
29	1	114299-61600	SEAL, OIL	1							
30	1	114770-61610	WASHER, THRUST	1							
31	1	22322-030200	PIN, TAPER 3X20	1							
32	1	714299-66100	SPEED CTRL, THAI	1							
33	2	114299-66060	HANDLE ASSY	1							
36	3	26117-050089	BOLT, M5X 8 PLATED	1							
37	2	114299-66101	BRACKET	1							
38	2	114299-66440	BOLT, ADJUSTING	1							
39	2	114299-67080	BOLT, ADJUSTING	1							
40	2	160725-78350	KNOB	1							
41	2	26347-060002	NUT, M6	1							
42	2	26757-060002	NUT, LOCK M6	2							
43	1	114299-66250	SPRING, RETURN	1							
44	1	26106-060142	BOLT, M6X 14 PLATED	1							
45	1	26106-060202	BOLT, M6X 20 PLATED	1							
46	1	114295-61810	WASHER, PLAIN 14	1							
47	1	114771-61830	PLATE	1							
48	1	114295-61940	NUT	1							
49	1	114699-66010	SPRING, REGULATOR	1							
50	1	114299-66200	SPRING, RETURN	1							
51	1	114771-66600	LIMITER ASSY, FUEL	1							
52	1	114295-66690	NUT, M14X1.25	1							
53	1	114780-61090	TIN	1							
54	1	22451-060000	WIRE, 0.6	1							
55	1	114295-61990	PROTECTOR CMP	1							
58	2	114295-61960	SPACER	1							
59	2	24311-000180	O-RING, 1AP18.0	1							

N:Old  $\frac{New}{Old}$  New, Q:Old  $\frac{New}{Old}$  New, R:Old  $\frac{New}{Old}$  New, S:Old  $\frac{New}{Old}$  New, W:Add, Z:Discontinued, F:Interchangeable by set, K:Qty Change  
 Copyright (C) YANMAR CO., LTD. All Rights Reserved.

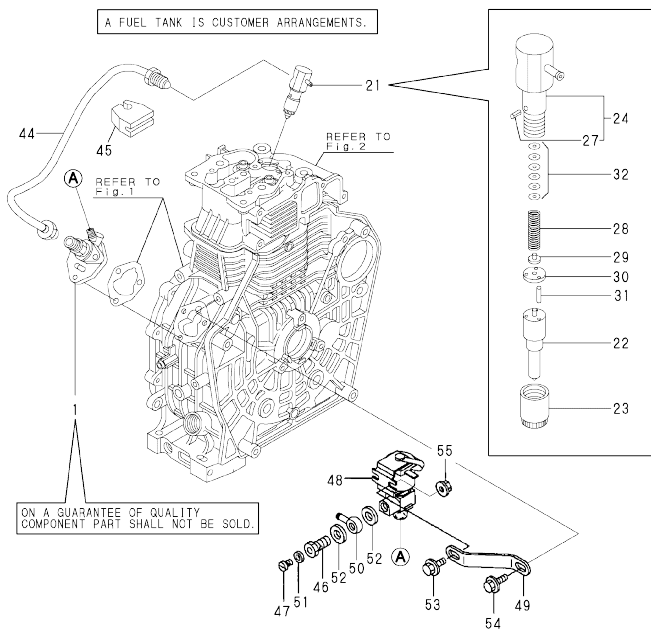
OCW10-M12000

Fig.6. COOLING & STARTING DEVICE



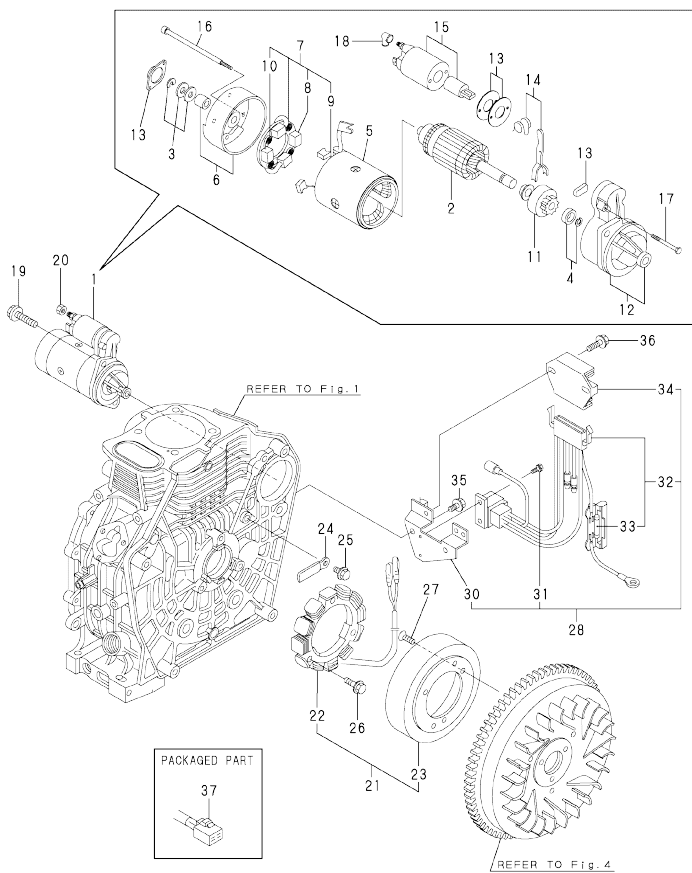
No.	Lev.	Parts No.	Description	Q'ty						I	R
				(A)	(B)	(C)	(D)	(E)	(F)		
1	1	114699-45210	COVER	1							
2	1	114399-45320	RUBBER, SEAL	1							
3	1	114399-45340	COLLAR	1							
4	1	114299-45220	GROMMET	1							
5	1	26106-060202	BOLT, M6X 20 PLATED	1							
6	1	114299-45301	RUBBER, CUSHION	4							
7	1	114299-45310	COLLAR	4							
8	1	114699-45330	SEAL, FAN CASE	1							
9	1	114299-45350	BOLT, FAN CASE	4							
11	1	114699-76251	RECOIL ASSY	1							
12	2	114699-76510	CASE, STARTER	1							
13	2	114699-76521	REEL, RECOIL	1							
15	2	114699-76531	RATCHET	2							
16	2	114399-76540	SPRING, SPIRAL	1							
17	2	114699-76551	GUIDE, RATCHET	1							
18	2	114699-76560	SPRING, FRICTION	1							
19	2	114399-76620	KNOB, STARTER	1							
20	2	114699-76630	ROPE, STARTER	1							
21	2	114699-76650	SPRING, RETURN	1							
22	2	114699-76660	CIRCLIP	1							
23	2	114699-76670	WASHER	1							
24	2	114699-76680	WASHER	1							
25	1	114699-76592	PULLEY, STARTER	1							
26	1	26106-060082	BOLT, M6X 8 PLATED	4							
27	1	26106-060122	BOLT, M6X 12 PLATED	3							
28	1	114699-45100	CASE, COOLING FAN	1							

Fig.7. FUEL INJECTION PUMP & FUEL INJECTION VALVE



No.	Lev.	Parts No.	Description	Q'ty						I	R
				(A)	(B)	(C)	(D)	(E)	(F)		
1	1	714656-51300	PUMP ASSY, INJECTION	1							
21	1	714656-53101	VALVE ASSY, INJECTION	1							
22	2	114651-53000	VALVE ASSY, INJECTION	1							
23	2	119593-53080	NUT, NOZZLE	1							
24	2	114875-53100	HOLDER ASSY, NOZZLE	1							
27	3	114250-53331	PIN	1							
28	2	114250-53120	SPRING, NOZZLE	1							
29	2	119593-53130	SEAT, SPRING	1							
30	2	114775-53140	SPACER, VALVE STOP	1							
31	2	114775-53210	PIN	2							
32	2	114250-53400	SHIM SET	1							
44	1	114651-59803	PIPE ASSY, INJECTION	1							
45	1	114699-59850	SUPPORT, PIPE	1							
46	1	114299-59920	BOLT, M10	1							
47	1	114299-59930	BOLT	1							
48	1	114299-76900	VALVE ASSY	1							
49	1	114299-76910	STAY	1							
50	1	114299-76930	BALL JOINT 10	1							
51	1	114299-83000	GASKET, 6	1							
52	1	114299-83010	GASKET, 10	2							
53	1	26106-060122	BOLT, M6X 12 PLATED	1							
54	1	26106-060162	BOLT, M6X 16 PLATED	1							
55	1	26366-060002	NUT, M6	1							

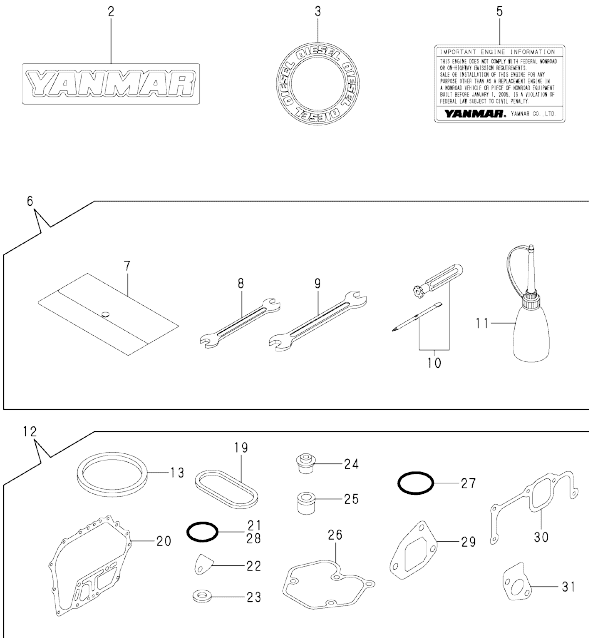
Fig.8. STARTING MOTOR & DYNAMO



No.	Lev.	Parts No.	Description	Q'ty					
				(A)	(B)	(C)	(D)	(E)	(F)
1	1	114362-77011	STARTER(HITACHI 12V	1					
2	2	114381-77110	ARMATURE	1					
3	2	X2114811000	WASHER KIT, THRUST	1					
4	2	X2114715500	STOPPER SET, PINION	1					
5	2	114381-77130	COIL ASSY, FIELD	1					
6	2	114381-77140	COVER, REAR	1					
7	2	114371-77160	HOLDER ASSY, BRUSH	1					
8	3	114371-79040	BRUSH (-)	2					
9	3	114371-79050	BRUSH (+)	1					
10	3	114371-79060	SPRING, BRUSH	4					
11	2	X211485016	PINION ASSY	1					
12	2	114381-77151	HOUSING ASSY, GEAR	1					
13	2	114371-77170	COVER KIT, DUST	1					
14	2	114371-77180	LEVER KIT, SHIFT	1					
15	2	124298-77020	SWITCH, MAGNETIC	1					
16	2	124195-77770	THROUGH BOLT	2					
17	2	114371-79070	BOLT M 6X 37	2					
18	2	X2114274200	COVER, TERMINAL	1					
19	1	26106-100302	BOLT, M10X 30 PLATED	2					
20	1	26716-080002	NUT, M8	1					
21	1	114399-78260	DYNAMO ASSY	1					
22	2	114399-78730	STATOR ASSY	1					
23	2	114399-78740	WHEEL, DYNAMO	1					
24	1	160710-78710	CLAMP, CORD	1					
25	1	26106-060122	BOLT, M6X 12 PLATED	1					
26	1	26106-060202	BOLT, M6X 20 PLATED	3					
27	1	26577-060142	SCREW M 6X 14	3					
28	1	114399-77550	REG. & HARNESS ASSY	1					
30	3	114399-77400	BRACKET, HARNESS	1					
31	3	26023-040102	SCREW, M4X10	2					
32	3	114399-77540	HARNESS, WIRE	1					
33	4	114399-78000	FUSE(20A	2					
34	2	114399-77710	REGULATOR	1					
35	1	26106-060122	BOLT, M6X 12 PLATED	2					
36	1	26106-060202	BOLT, M6X 20 PLATED	2					
37	1	114351-77520	COUPLER	1					

OCW10-M12000

Fig.9. TOOL,LABEL & GASKET SET



No.	Lev.	Parts No.	Description	Q'ty						I	R
				(A)	(B)	(C)	(D)	(E)	(F)		
2	1	114299-07110	LABEL, YANMAR	1							
3	1	114299-07160	LABEL, DIESEL	1							
5	1	129953-07741	LABEL	1							
6	1	114299-92590	BOX, TOOL	1							
7	2	114299-92600	BAG, TOOL	1							
8	2	114299-92710	WRENCH	1							
9	2	114299-92720	WRENCH	1							
10	2	114299-92730	DRIVER	1							
11	2	114299-92740	DIPSTICK	1							
12	1	714695-92600	GASKET SET	1							1
13	2	114695-01330	GASKET, HEAD	1							
19	2	114699-01380	O-RING	1							
20	2	114699-01410	GASKET, CRANK CASE	1							
21	2	114299-01950	O-RING, 18	2							
22	2	114250-01841	GASKET	1							
23	2	22190-160002	WASHER, SEAL 16	2							
24	2	114650-11340	SEAL, VALVE STEM	2							
25	2	114771-11461	GASKET, NOZZLE	1							
26	2	114651-11310	GASKET, BONNET	1							
27	2	114299-32570	O-RING	1							
28	2	24341-000224	O-RING, 1AS22.4	1							
29	2	114699-12210	GASKET, AIR CLEANER	1							
30	2	114699-12200	GASKET	1							
31	2	114699-13200	GASKET, MUFFLER	1							

Remarks  
(1)OPTIONAL

N:Old  $\frac{100}{100}$  New, Q:Old  $\frac{100}{100}$  New, R:Old  $\frac{100}{100}$  New, S:Old  $\frac{100}{100}$  New, W:Add, Z:Discontinued, F:Interchangeable by set, K:Q'ty Change  
Copyright (C) YANMAR CO., LTD. All Rights Reserved.

## Parts No. Index

Parts No.	Fig. No.	Ref. No.	Parts No.	Fig. No.	Ref. No.	Parts No.	Fig. No.	Ref. No.	Parts No.	Fig. No.	Ref. No.
104211-11370	2	25	114299-76900	7	48	114651-11110	2	7	114699-45330	6	8
105300-23200	4	34	114299-76910	7	49	114651-11250	2	13	114699-59850	7	45
114250-01841	1	10	114299-76930	7	50	114651-11260	2	14	114699-61190	5	16
	9	22	114299-83000	7	51	114651-11310	2	33	114699-61210	5	24
114250-03591	2	37	114299-83010	7	52		9	26	114699-66010	5	49
114250-03640	2	40	114299-92590	9	6	114651-11650	2	15	114699-76251	6	11
114250-11240	2	17	114299-92600	9	7	114651-11660	2	19	114699-76510	6	12
		21	114299-92710	9	8	114651-11950	2	35	114699-76521	6	13
114250-53120	7	28	114299-92720	9	9	114651-53000	7	22	114699-76531	6	15
114250-53331	7	27	114299-92730	9	10	114651-59803	7	44	114699-76551	6	17
114250-53400	7	32	114299-92740	9	11	114652-22040	4	43	114699-76560	6	18
114252-12550	3	9	114310-45360	3	14	114652-22050	4	51	114699-76592	6	25
114252-12560	3	4	114351-77520	8	37	114652-22140	4	45	114699-76630	6	20
114295-11470	2	27	114362-77011	8	1	114652-22150	4	53	114699-76650	6	21
114295-61520	5	28	114371-77160	8	7	114662-21601	4	66	114699-76660	6	22
114295-61810	5	46	114371-77170	8	13	114695-01050	1	1	114699-76670	6	23
114295-61940	5	48	114371-77180	8	14	114695-01330	1	32	114699-76680	6	24
114295-61960	5	58	114371-79040	8	8		9	13	114770-61610	5	30
114295-61990	5	55	114371-79050	8	9	114699-01200	1	6	114771-11461	2	26
114295-66690	5	52	114371-79060	8	10	114699-01210	1	7		9	25
114299-01600	1	11	114371-79070	8	17	114699-01220	1	30	114771-14260	4	7
114299-01690	1	17	114381-77110	8	2	114699-01230	1	31	114771-61830	5	47
114299-01800	1	38	114381-77130	8	5	114699-01250	1	8	114771-66600	5	51
114299-01830	1	5	114381-77140	8	6	114699-01380	1	9	114775-53140	7	30
114299-01950	1	20	114381-77151	8	12		9	19	114775-53210	7	31
	9	21	114399-45320	6	2	114699-01410	1	49	114780-61090	5	53
114299-02030	1	22	114399-45340	6	3		9	20	114875-53100	7	24
114299-07110	9	2	114399-76540	6	16	114699-01450	1	50	114980-12510	3	1
114299-07160	9	3	114399-76620	6	19	114699-01760	1	18	114980-12530	3	3
114299-11901	2	12	114399-77400	8	30	114699-11120	2	8	119593-53080	7	23
114299-12300	3	10	114399-77540	8	32	114699-11600	2	28	119593-53130	7	29
114299-32070	5	7	114399-77550	8	28	114699-12020	3	11	119620-11180	2	9
114299-32570	5	8	114399-77710	8	34	114699-12200	3	20	124060-23100	4	33
	9	27	114399-78000	8	33		9	30	124195-77770	8	16
114299-35110	5	11	114399-78260	8	21	114699-12210	3	19	124298-77020	8	15
114299-35150	1	15	114399-78730	8	22		9	29	129792-22400	4	29
114299-45220	6	4	114399-78740	8	23	114699-13200	3	15	129953-07741	9	5
114299-45301	6	6	114650-02100	1	53		9	31	160710-78710	8	24
114299-45310	6	7	114650-02150	1	23	114699-13552	3	21	160725-78350	5	40
114299-45350	6	9	114650-02200	1	28	114699-13562	3	22	183250-39450	1	56
114299-59920	7	46	114650-02210	1	29	114699-13700	3	23	22190-160002	1	21
114299-59930	7	47	114650-07450	3	8	114699-13710	3	24		9	23
114299-61190	5	15	114650-11340	2	24	114699-13720	3	25	22242-000150	2	23
114299-61600	5	29		9	24	114699-14200	4	6	22312-030160	2	42
114299-66060	5	33	114650-12520	3	2	114699-21220	4	17		5	9
114299-66101	5	37	114650-12590	3	5	114699-21550	4	18	22312-040080	1	55
114299-66200	5	50	114650-14402	4	8	114699-21590	4	63	22322-030200	5	31
114299-66250	5	43	114650-32010	5	1	114699-22300	4	28	22351-040008	2	29
114299-66440	5	38	114651-11020	2	1	114699-45100	6	28	22451-060000	5	54
114299-67080	5	39	114651-11100	2	6	114699-45210	6	1	22512-050140	4	19

## Parts No. Index

Parts No.	Fig. No.	Ref. No.
24101-062030	4	42
24101-063030	4	67
24162-152112	1	24
24311-000180	5	59
24341-000224	5	13
	9	28
24423-355008	1	25
		26
26023-040102	8	31
26106-060082	6	26
26106-060122	5	10
	6	27
	7	53
	8	25
		35
26106-060142	5	44
26106-060162	5	14
	7	54
26106-060202	5	45
	6	5
	8	26
		36
26106-060252	3	12
26106-060702	2	34
26106-080122	1	27
26106-080182	3	16
26106-080352	1	16
26106-080552	2	30
26106-100302	8	19
26117-050089	5	36
26216-080182	3	17
26226-060142	3	13
26226-060182	1	12
26226-060222	1	13
26226-060552	2	31
26347-060002	5	41
26366-060002	1	14
	2	32
	7	55
26366-080002	3	18
26577-060142	8	27
26716-080002	8	20
26757-060002	5	42
26856-060002	2	18
		22
27310-070001	2	10
714299-66100	5	32
714650-23600	4	35
714650-23610	4	59
714650-23620	4	61

Parts No.	Fig. No.	Ref. No.
714652-22720	4	20
714656-51300	7	1
714656-53101	7	21
714658-21700	4	9
714695-92600	9	12
714699-14580	4	1
714699-23700	4	30
714699-61700	5	22
714970-22500	4	22
714970-28511	4	37
X2114274200	8	18
X2114715500	8	4
X2114811000	8	3
X211485016	8	11

Parts No.	Fig. No.	Ref. No.
-----------	----------	----------

Parts No.	Fig. No.	Ref. No.
-----------	----------	----------