

0CD10-M79000EN

はじめに

1. 本パーツカタログは、(株)ダイシン殿向エンジン L100EE-DEPTNAの初版パーツカタログです。

パーツカタログNo. : 000Y00D7900
発行時期 : 2003年 3月

2. 記載対象機種

機種名	搭載作業機		作業機メーカー
	商品名	形名	
L100EE-DEPTNA	ポンプ	SWT-100YDE	(株)ダイシン

PREFACE

- 1.This Parts Catalog is a first edition of the L100EE-DEPTNA Diesel engine for DAISHIN INDUSTRIES LTD.

Parts Catalog No. : 000Y00D7900
Date of issue : Mar.,2003

2. Model Indication in Parts Catalog

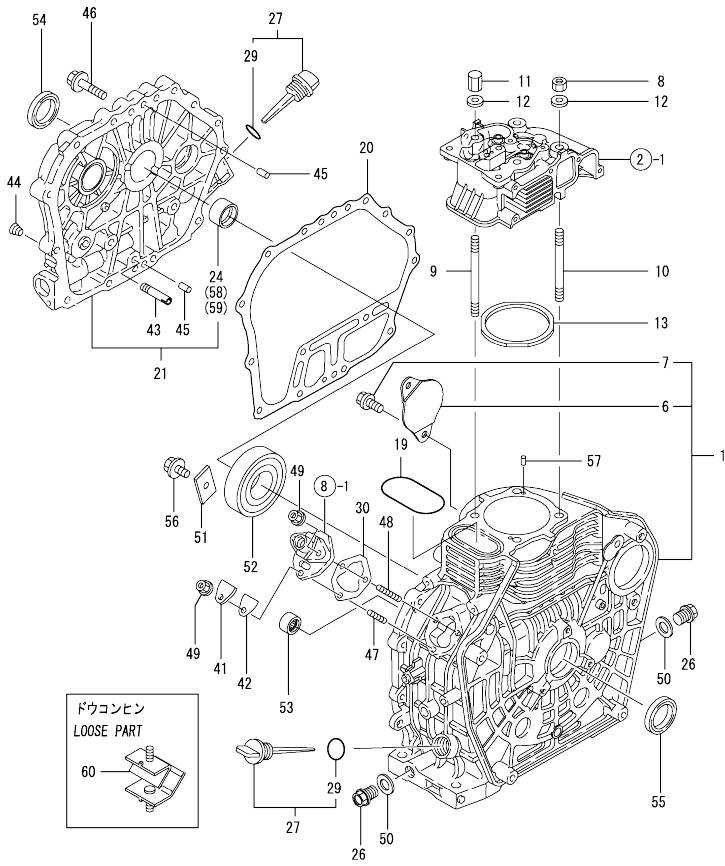
Model	Product equipped		Manufacturer's name
	Trade name	Model	
L100EE-DEPTNA	Pump	SWT-100YDE	DAISHIN INDUSTRIES LTD.

Contents

Fig. No.	Fig. Name	Fig. No.	Fig. Name
ENGINE SECTION L100EE-DEPTNA			
1.	CYLINDER BLOCK		
2.	CYLINDER HAED & BONNET		
3.	AIR CLEANER		
4.	MUFFLER		
5.	CRANKSHAFT,PISTON & CAMSHAFT		
6.	LUB.OIL PUMP & GOVERNOR		
7.	COOLING & STARTING DEVICE		
8.	FUEL INJECTION PUMP		
9.	FUEL TANK & FUEL LINE		
10.	STARTING MOTOR & DYNAMO		
11.	TOOL,LABEL & GASKET SET		

OCD10-M79000

Fig.1. CYLINDER BLOCK

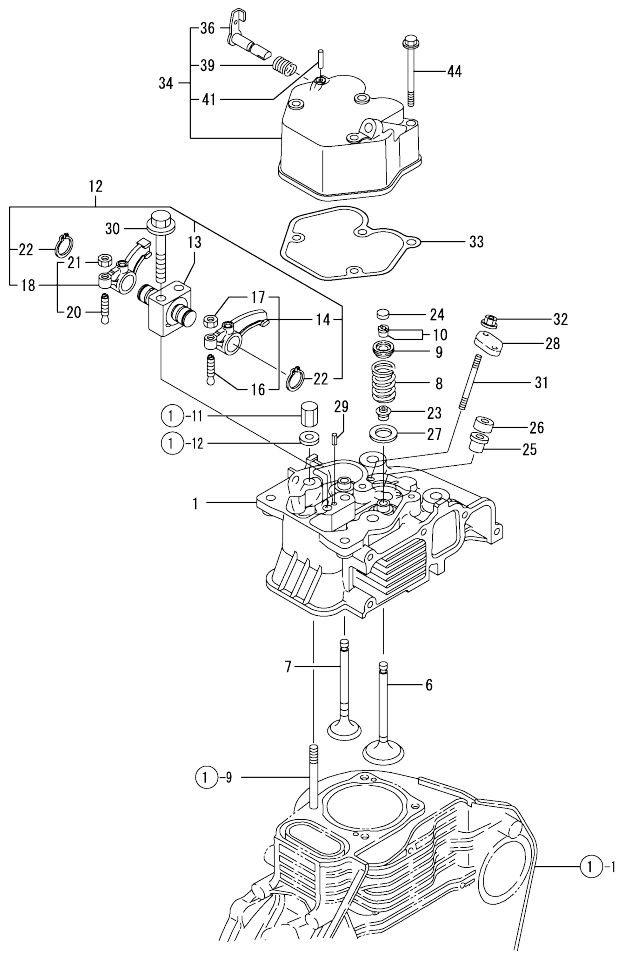


No.	Lev.	Parts No.	Description	Q'ty						I	R
				(A)	(B)	(C)	(D)	(E)	(F)		
1	1	714655-01560	BLOCK ASSY, CYLINDER	1							
6	2	114350-01700	COVER	1							
7	2	26106-100122	BOLT, M10X 12 PLATED	2							
8	1	105025-01220	NUT, CYLINDER HEAD	2							
9	1	114650-01230	BOLT, HEAD	2							
10	1	114650-01240	BOLT, HEAD	2							
11	1	114650-01250	NUT, CYLINDER HEAD	2							
12	1	114650-01260	WASHER	4							
13	1	114651-01330	GASKET SET, HEAD	1							
19	1	114650-01380	O-RING	1							
20	1	114650-01412	GASKET, CRANK CASE	1							
21	1	114660-01471	COVER, CRANK CASE	1							
24	2	114650-02100	BEARING, MAIN	1							1
26	1	105425-01690	PLUG, 16	2							
27	1	114699-01760	CAP ASSY	2							
29	2	114299-01950	O-RING, 18	2							
30	1	114250-01800	SHIM SET	1							
41	1	114250-01830	COVER	1							
42	1	114250-01841	GASKET	1							
43	1	114250-35150	PIPE, OIL INLET	1							
44	1	23876-010000	PLUG, R01	1							
45	1	114270-01600	PIN, M8X12	2							
46	1	26106-080352	BOLT, M8X 35 PLATED	16							
47	1	26226-060182	STUD, M6X 18	1							
48	1	26226-060222	STUD, M6X 22	2							
49	1	26366-060002	NUT, M6	3							
50	1	22190-160002	WASHER, SEAL 16	2							
51	1	114299-02030	RETAINER, BEARING	1							
52	1	114650-02150	BEARING, HR6308G3C3	1							
53	1	24162-152112	BEARING, 152112	1							
54	1	24423-355008	SEAL, OIL TC355008	1							
55	1	24423-355008	SEAL, OIL TC355008	1							
56	1	26106-080122	BOLT, M8X 12 PLATED	1							
57	1	22312-040080	PIN, PARALLEL M4X 8	2							
58	1	114650-02200	BEARING, 0.25 US	1							2
59	1	114650-02210	BEARING, 0.50 US	1							2
60	1	183279-08210	DAMPER	4							

Remarks
 (1) REPAIR PART.
 (2) UNDER-SIZED PART.

N:Old $\frac{New}{Old}$ New, Q:Old $\frac{New}{Old}$ New, R:Old $\frac{New}{Old}$ New, S:Old $\frac{New}{Old}$ New, W:Add, Z:Discontinued, F:Interchangeable by set, K:Q'ty Change
 Copyright (C) YANMAR CO., LTD. All Rights Reserved.

Fig.2. CYLINDER HAED & BONNET

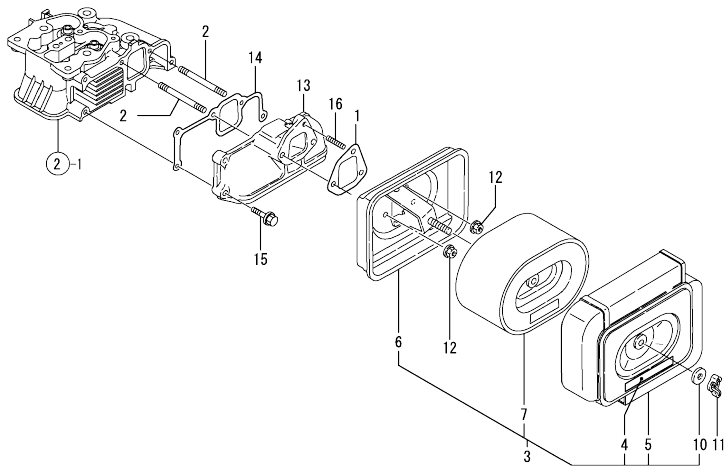


No.	Lev.	Parts No.	Description	Q'ty						I	R
				(A)	(B)	(C)	(D)	(E)	(F)		
1	1	114651-11020	HEAD ASSY, CYLINDER	1							
6	1	114651-11100	VALVE, INTAKE	1							
7	1	114651-11110	VALVE, EXHAUST	1							
8	1	114650-11121	SPRING, VALVE	2							
9	1	119620-11180	RETAINER, SPRING	2							
10	1	27310-070001	COTTER, 7	2							
12	1	114651-11250	SUPPORT ASSY, ARM	1							
13	2	114651-11260	SUPPORT, ROCKER ARM	1							
14	2	114651-11650	ARM, ROCKER	1							
16	3	114250-11240	SCREW, VALVE ADJUST	1							
17	3	26856-060002	NUT, M6	1							
18	2	114651-11660	ARM, ROCKER	1							
20	3	114250-11240	SCREW, VALVE ADJUST	1							
21	3	26856-060002	NUT, M6	1							
22	2	22242-000150	RING, 15	2							
23	1	114650-11340	SEAL, VALVE STEM	2							
24	1	104211-11370	CAP, VALVE	2							
25	1	114771-11461	GASKET, NOZZLE	1							
26	1	114771-11470	SPACER, NOZZLE	1							
27	1	114650-11600	WASHER	2							
28	1	114250-11901	RETAINER, NOZZLE	1							
29	1	22351-040008	PIN, SPRING 4.0X 8	1							
30	1	26106-080552	BOLT, M8X 55 PLATED	2							
31	1	26226-060552	STUD, M6X 55	2							
32	1	26366-060002	NUT, M6	2							
33	1	114651-11310	GASKET, BONNET	1							
34	1	114651-11950	BONNET ASSY, HEAD	1							
36	2	114250-03591	LEVER ASSY	1							
39	2	114250-03640	SPRING, DECOMPRESSION	1							
41	2	22312-030160	PIN, PARALLEL M3X16	1							
44	1	26106-060702	BOLT, M6X 70 PLATED	3							

N:Old $\frac{New}{Old}$ New, Q:Old $\frac{New}{Old}$ New, R:Old $\frac{New}{Old}$ New, S:Old $\frac{New}{Old}$ New, W:Add, Z:Discontinued, F:Interchangeable by set, K:Q'ty Change
 Copyright (C) YANMAR CO., LTD. All Rights Reserved.

OCD10-M79000

Fig.3. AIR CLEANER

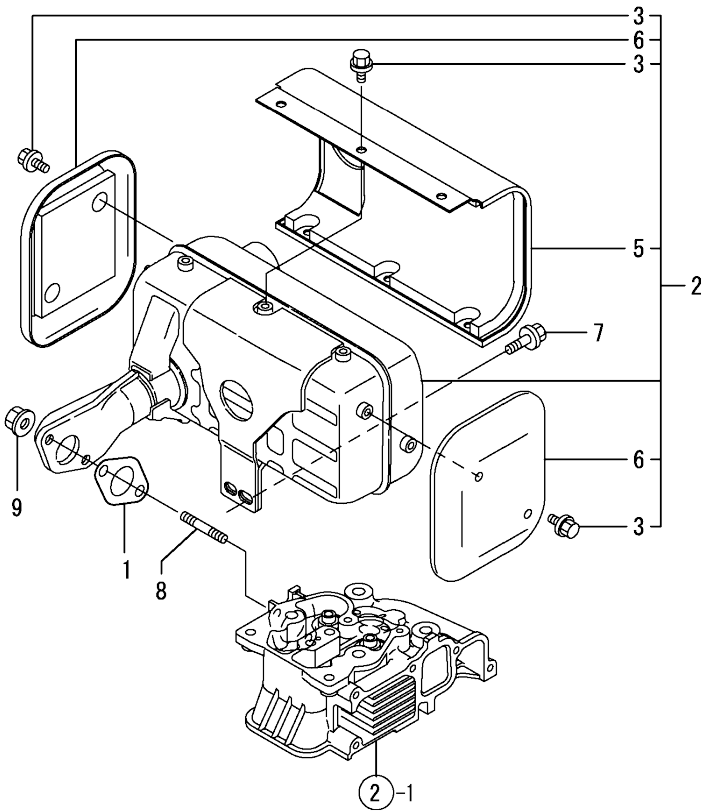


No.	Lev.	Parts No.	Description	Q'ty						I	R
				(A)	(B)	(C)	(D)	(E)	(F)		
1	1	114650-12211	GASKET, AIR CLEANER	1							
2	1	26226-060752	STUD, M6X 75	2							
3	1	114980-12510	CLEANER ASSY, AIR	1							
4	2	114650-07450	LABEL, AIR CLEANER	1							
5	2	114650-12520	COVER, AIR CLEANER	1							
6	2	114980-12530	CASE ASSY, CLEANER	1							
7	2	114650-12590	ELEMENT ASSY	1							
10	2	114252-12560	WASHER, SEAL M8	1							
11	1	114252-12550	NUT, WING M8	1							
12	1	114250-12300	NUT	3							
13	1	114699-12020	PIPE, AIR INTAKE	1							
14	1	114650-12301	GASKET	1							
15	1	26106-060252	BOLT, M6X 25 PLATED	3							
16	1	26226-060142	STUD, M6X 14	1							

N:Old $\frac{100}{100}$ New, Q:Old $\frac{100}{100}$ New, R:Old $\frac{100}{100}$ New, S:Old $\frac{100}{100}$ New, W:Add, Z:Discontinued, F:Interchangeable by set, K:Q'ty Change
 Copyright (C) YANMAR CO., LTD. All Rights Reserved.

OCD10-M79000

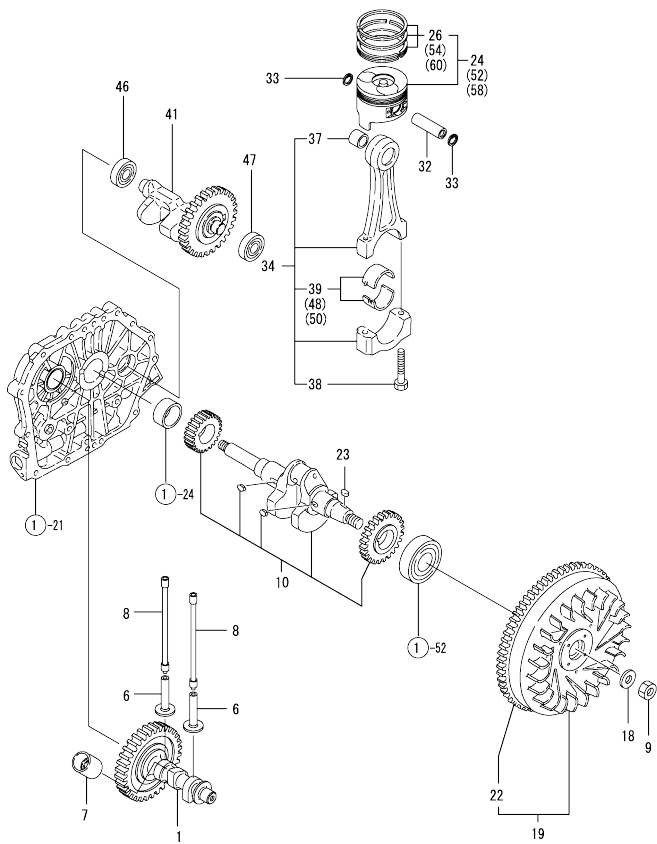
Fig.4. MUFFLER



No.	Lev.	Parts No.	Description	Q'ty						I	R
				(A)	(B)	(C)	(D)	(E)	(F)		
1	1	114650-13201	GASKET (NON-ASB.)	1							
2	1	114970-13551	MUFFLER ASSY	1							
3	2	160260-01580	BOLT, FLANGE M6X6	10							
5	2	114970-13700	COVER	1							
6	2	114970-13710	COVER	2							
7	1	26106-080182	BOLT, M8X 18 PLATED	2							
8	1	26216-080182	STUD, M8X 18	2							
9	1	26306-080002	NUT, M8	2							

OCD10-M79000

Fig.5. CRANKSHAFT,PISTON & CAMSHAFT



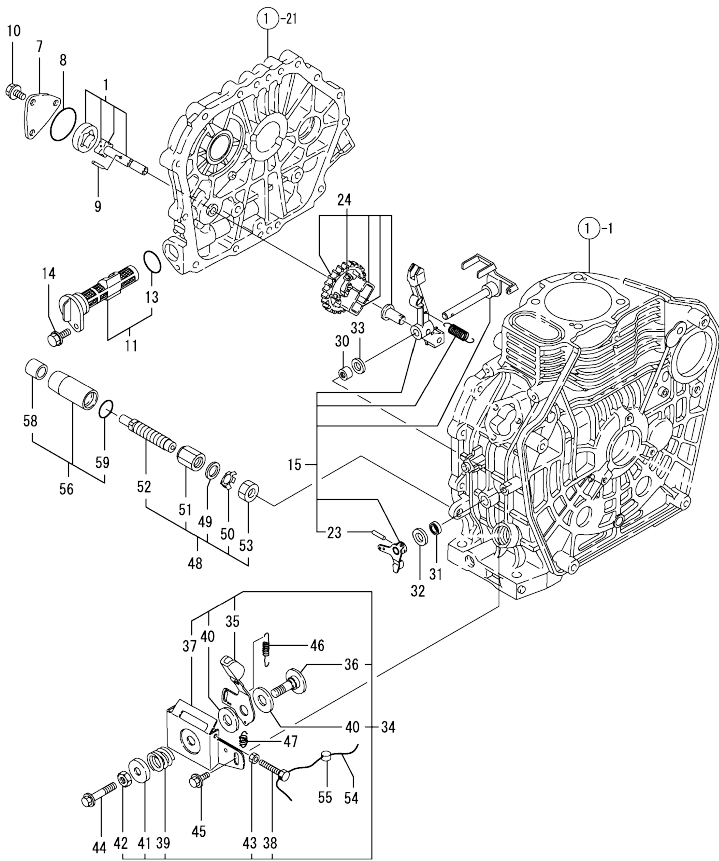
Remarks
 (1) UNDER-SIZE(U.S=0.25)PART.
 (2) UNDER-SIZE(U.S=0.50)PART.
 (3) OVER-SIZE(O.S=0.25)PART.
 (4) OVER-SIZE(O.S=0.50)PART.

No.	Lev.	Parts No.	Description	Q'ty						I	R
				(A)	(B)	(C)	(D)	(E)	(F)		
1	1	714689-14580	CAMSHAFT ASSY	1							
6	1	114650-14200	TAPPET	2							
7	1	114771-14260	TAPPET	1							
8	1	114650-14402	ROD ASSY, PUSH	2							
9	1	122710-01220	NUT, CYLINDER HEAD	1							
10	1	714659-21700	CRANKSHAFT ASSY	1							
18	1	114650-21551	WASHER	1							
19	1	114699-21590	FLYWHEEL ASSY	1							
22	2	114662-21601	GEAR, RING	1							
23	1	22512-050140	KEY, 5X 14	1							
24	1	714652-22720	PISTON ASSY, D	1							
26	2	714970-22500	RING SET, PISTON	1							
32	1	114699-22300	PIN, PISTON D=23	1							
33	1	129792-22400	CIRCLIP, 23	2							
34	1	71465G-23700	ROD ASSY, CONNECTING	1							
37	2	124060-23100	BEARING, PISTON PIN	1							
38	2	105300-23200	BOLT, CONNECTING ROD	2							
39	2	714650-23600	BEARING, CRANK PIN	1							
41	1	714970-28511	SHAFT ASSY, BALANCER	1							
46	1	24101-062034	BEARING, BALL 6203	1							
47	1	24101-063034	BEARING, BALL 6303	1							
48	1	714650-23610	BEARING ASSY, 0.25	1							1
50	1	714650-23620	BEARING, 0.50 US	1							2
52	1	114652-22040	PISTON ASSY, 0.25 OS	1							3
54	2	114652-22140	RING SET, 0.25 OS	1							4
58	1	114652-22050	PISTON ASSY, 0.50 OS	1							3
60	2	114652-22150	RING SET, 0.50 OS	1							4

N:Old $\frac{100}{100}$ New, Q:Old $\frac{100}{100}$ New, R:Old $\frac{100}{100}$ New, S:Old $\frac{100}{100}$ New, W:Add, Z:Discontinued, F:Interchangeable by set, K:Q'ty Change
 Copyright (C) YANMAR CO., LTD. All Rights Reserved.

OCD10-M79000

Fig.6. LUB.OIL PUMP & GOVERNOR

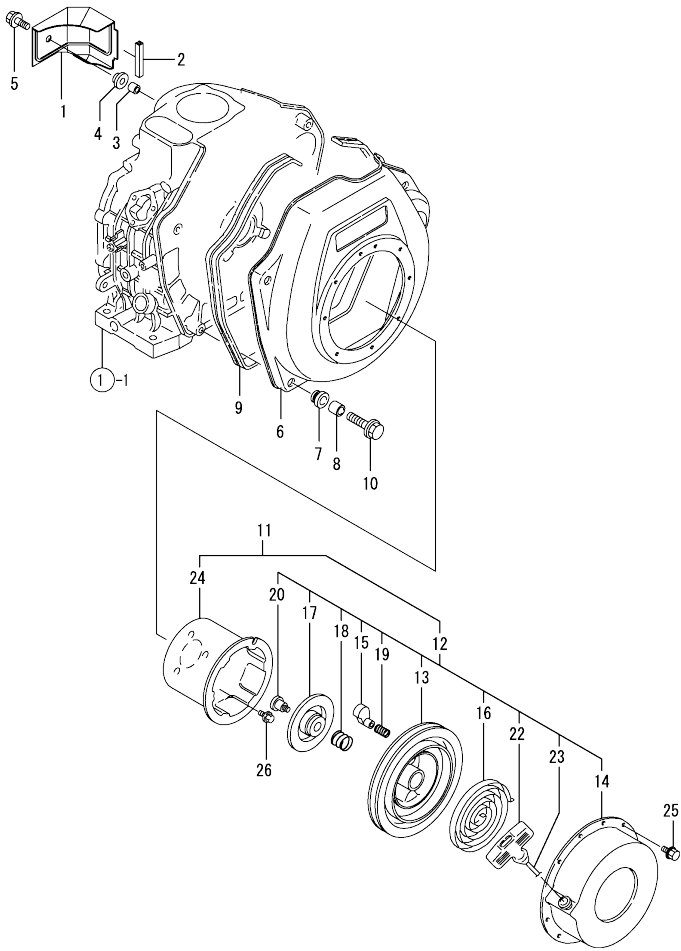


No.	Lev.	Parts No.	Description	Q'ty						I	R
				(A)	(B)	(C)	(D)	(E)	(F)		
1	1	114650-32010	PUMP ASSY, OIL	1							
7	1	114250-32070	COVER	1							
8	1	103338-32570	O-RING	1							
9	1	22312-030160	PIN, PARALLEL M3X16	1							
10	1	26106-060122	BOLT, M6X 12 PLATED	3							
11	1	114250-35110	FILTER ASSY, OIL	1							
13	2	24341-000224	O-RING, 1AS22.4	1							
14	1	26106-060162	BOLT, M6X 16 PLATED	1							
15	1	714685-61500	LEVER ASSY, GOVERNOR	1							
23	2	22322-030200	PIN, TAPER 3X20	1							
24	1	714685-61700	GOVERNOR ASSY	1							
30	1	114270-61520	BEARING, NEEDLE 8	2							
31	1	114770-61600	SEAL, OIL	1							
32	1	114770-61610	WASHER, THRUST	1							
33	1	114770-61190	WASHER	1							
34	1	183250-66500	BRACKET ASSY	1							
35	2	183250-66050	HANDLE, REGULATOR	1							
36	2	183250-66070	SHAFT, HANDLE	1							
37	2	183250-66100	BRACKET, RADIATOR	1							
38	2	114250-66440	BOLT, ADJUSTING	1							
39	2	104200-66820	SPRING	1							
40	2	104200-66831	PLATE, FRICTION	2							
41	2	104200-66850	WASHER	1							
42	2	26696-100002	NUT, LOCK M10	1							
43	2	26757-060002	NUT, LOCK M6	1							
44	1	26106-060452	BOLT, M6X 45 PLATED	1							
45	1	26106-060142	BOLT, M6X 14 PLATED	1							
46	1	114970-66010	SPRING, REGULATOR	1							
47	1	114250-66200	SPRING, RETURN	1							
48	1	114771-61700	LIMITER ASSY, FUEL	1							
49	2	114771-61810	WASHER, 14	1							
50	2	114771-61830	PLATE	1							
51	2	114771-61940	NUT, M14	1							
52	2	114771-66600	LIMITER ASSY, FUEL	1							
53	2	114771-66690	NUT, M14	1							
54	1	22451-060000	WIRE, 0.6	1							
55	1	135210-61090	LEAD	1							
56	1	114771-61890	PROTECTOR ASSY	1							
58	2	114771-61960	SPACER	1							
59	2	24311-000180	O-RING, 1AP18.0	1							

N:Old $\frac{New}{Old}$ New, Q:Old $\frac{New}{Old}$ New, R:Old $\frac{New}{Old}$ New, S:Old $\frac{New}{Old}$ New, W:Add, Z:Discontinued, F:Interchangeable by set, K:Qty Change
 Copyright (C) YANMAR CO., LTD. All Rights Reserved.

OCD10-M79000

Fig.7. COOLING & STARTING DEVICE

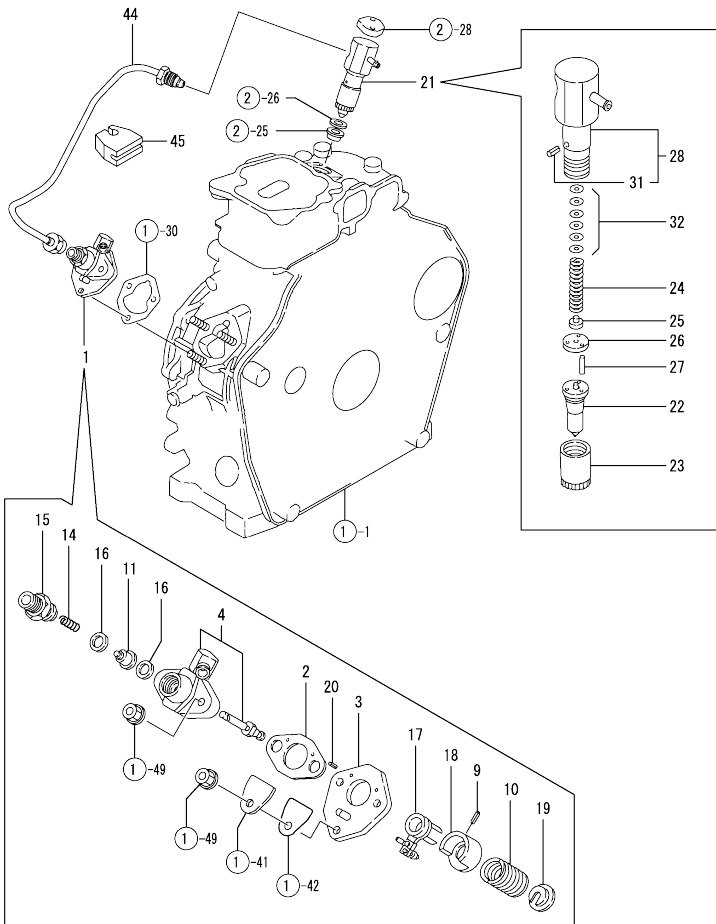


No.	Lev.	Parts No.	Description	Q'ty						I	R
				(A)	(B)	(C)	(D)	(E)	(F)		
1	1	114650-45201	COVER	1							
2	1	114350-45320	RUBBER, SEAL	1							
3	1	114350-45340	COLLAR	1							
4	1	183720-55210	GROMMET	1							
5	1	26106-060202	BOLT, M6X 20 PLATED	1							
6	1	114668-45102	CASE, COOLING FAN	1							
7	1	114250-45301	ABSORBER	4							
8	1	114250-45310	COLLAR	4							
9	1	114650-45330	SEAL, FAN CASE L=950	1							
10	1	114370-45351	BOLT	4							
11	1	114660-76052	STARTER ASSY, RECOIL	1							
12	2	114660-76251	STARTER ASSY, RECOIL	1							
13	3	114880-76520	REEL	1							
14	3	114660-76531	CASE, STARTER	1							
15	3	114870-76530	RATCHET	2							
16	3	114870-76540	SPRING, SPIRAL	1							
17	3	114880-76550	GUIDE, RATCHET	1							
18	3	114870-76560	SPRING, FRICTION	1							
19	3	114870-76570	SPRING, RETURN	2							
20	3	114870-76580	SCREW	1							
22	3	114870-76620	KNOB, STARTER	1							
23	3	114650-76631	ROPE, STARTER	1							
24	2	114660-76592	PULLEY, STARTER	1							
25	1	26106-060082	BOLT, M6X 8 PLATED	4							
26	1	26106-060122	BOLT, M6X 12 PLATED	3							

N:Old $\frac{New}{100}$ New, Q:Old $\frac{New}{100}$ New, R:Old $\frac{New}{100}$ New, S:Old $\frac{New}{100}$ New, W:Add, Z:Discontinued, F:Interchangeable by set, K:Q'ty Change
 Copyright (C) YANMAR CO., LTD. All Rights Reserved.

OCD10-M79000

Fig.8. FUEL INJECTION PUMP

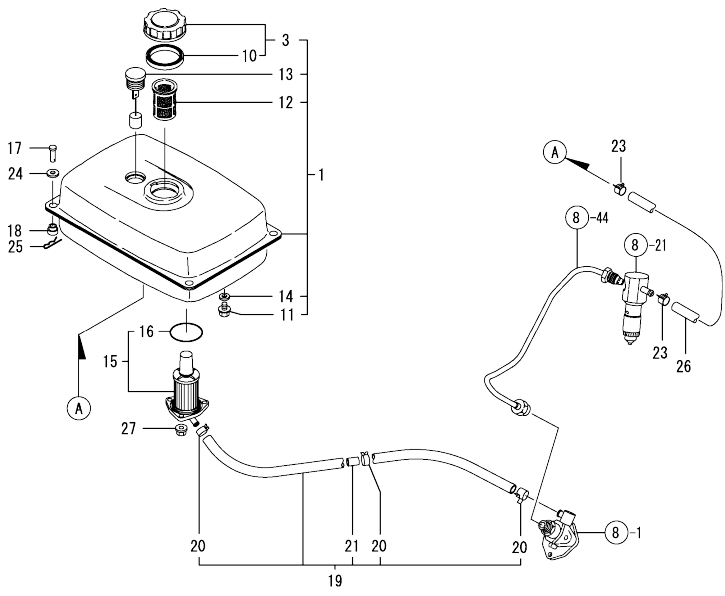


No.	Lev.	Parts No.	Description	Q'ty						I	R
				(A)	(B)	(C)	(D)	(E)	(F)		
1	1	714656-51100	PUMP ASSY, INJECTION	1							
2	2	105546-51020	GASKET	1							
3	2	114250-51080	PLATE	1							
4	2	114970-51100	BODY ASSY, PUMP	1							
9	2	22351-030008	PIN, SPRING 3.0X 8	1							
10	2	114250-51160	SPRING, PLUNGER	1							
11	2	114650-51300	VALVE ASSY, DELIVERY	1							
14	2	105546-51330	SPRING, DELIVERY	1							
15	2	114250-51340	HOLDER, DELIVERY	1							
16	2	124550-51350	GASKET, DELIVERY	2							
17	2	114250-51600	LEVER ASSY, CONTROL	1							
18	2	114250-51640	SEAT, SPRING A	1							
19	2	114250-51650	SEAT, SPRING B	1							
20	2	22351-020006	PIN, SPRING 2.0X 6	2							
21	1	714656-53101	VALVE ASSY, INJECTION	1							
22	2	114651-53000	VALVE ASSY, INJECTION	1							
23	2	119593-53080	NUT, NOZZLE	1							
24	2	114250-53120	SPRING, NOZZLE	1							
25	2	119593-53130	SEAT, SPRING	1							
26	2	114775-53140	SPACER, VALVE STOP	1							
27	2	114775-53210	PIN	2							
28	2	114875-53100	HOLDER ASSY, NOZZLE	1							
31	3	114250-53331	PIN	1							
32	2	114250-53400	SHIM SET	1							
44	1	114651-59803	PIPE ASSY, INJECTION	1							
45	1	114650-59850	SUPPORT	1							

N:Old $\frac{New}{Old}$ New. Q:Old $\frac{New}{Old}$ New. R:Old $\frac{New}{Old}$ New. S:Old $\frac{New}{Old}$ New. W:Add. Z:Discontinued. F:Interchangeable by set. K:Q'ty Change
 Copyright (C) YANMAR CO., LTD. All Rights Reserved.

OCD10-M79000

Fig.9. FUEL TANK & FUEL LINE

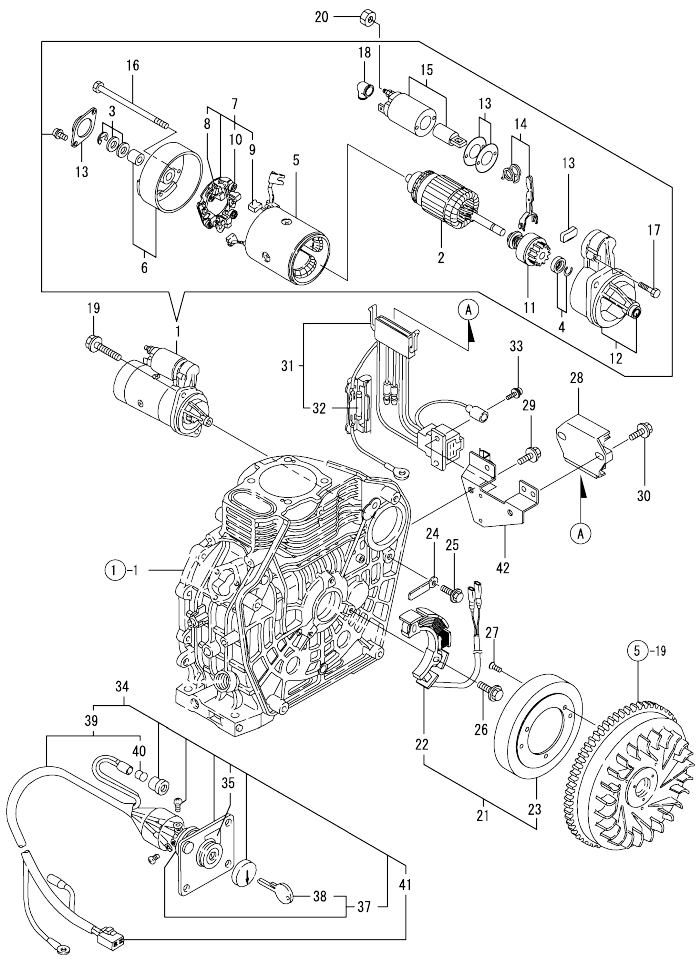


No.	Lev.	Parts No.	Description	Q'ty						I	R
				(A)	(B)	(C)	(D)	(E)	(F)		
1	1	783377-55710-1	TANK ASSY, FUEL	1							
3	2	160710-55061	CAP ASSY	1							
10	3	160393-55050	GASKET	1							
11	2	104200-55080	PLUG, DRAIN	1							
12	2	160710-55100	FILTER, FUEL	1							
13	2	183621-55150	GAUGE	1							
14	2	22190-120002	WASHER, SEAL 12	1							
15	1	183254-55120	FILTER, FUEL	1							
16	2	24341-000450	O-RING, 1AS45.0	1							
17	1	183350-55120	PIN, 6X14	4							
18	1	183720-55210	GROMMET	4							
19	1	114360-59011	PIPE ASSY, FUEL	1							
20	2	106990-44660	CLIP, HOSE 12.5	3							
21	2	183250-59040	PIECE	1							
23	1	124722-59050	CLIP, HOSE 9	2							
24	1	183350-55130	WASHER	4							
25	1	22360-060000	PIN, SNAP 6	4							
26	1	114353-59060	HOSE, RUBBER	1							
27	1	26366-060002	NUT, M6	3							

N:Old $\frac{100}{100}$ New, Q:Old $\frac{100}{100}$ New, R:Old $\frac{100}{100}$ New, S:Old $\frac{100}{100}$ New, W:Add, Z:Discontinued, F:Interchangeable by set, K:Q'ty Change
 Copyright (C) YANMAR CO., LTD. All Rights Reserved.

OCD10-M79000

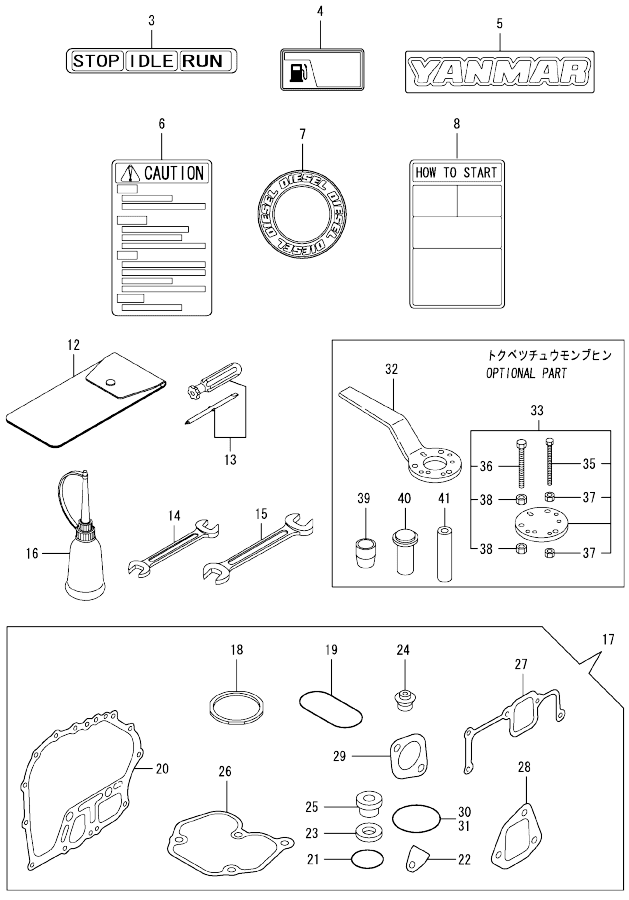
Fig.10. STARTING MOTOR & DYNAMO



No.	Lev.	Parts No.	Description	Q'ty						I	R
				(A)	(B)	(C)	(D)	(E)	(F)		
1	1	114362-77011	STARTER(S114-651A)	1							
2	2	114381-77110	ARMATURE	1							
3	2	X2114811000	WASHER KIT, THRUST	1							
4	2	X2114715500	STOPPER SET, PINION	1							
5	2	114381-77130	COIL ASSY, FIELD	1							
6	2	114381-77140	COVER, REAR	1							
7	2	114371-77160	HOLDER ASSY, BRUSH	1							
8	3	114371-79040	BRUSH (-)	2							
9	3	114371-79050	BRUSH (+)	1							
10	3	114371-79060	SPRING, BRUSH	4							
11	2	X2114455080	PINION ASSY	1							
12	2	114381-77151	HOUSING ASSY, GEAR	1							
13	2	114371-77170	COVER KIT, DUST	1							
14	2	X2114560180	LEVER KIT, SHIFT	1							
15	2	124298-77020	SWITCH, MAGNETIC	1							
16	2	124195-77770	BOLT, THROUGH	2							
17	2	114371-79070	BOLT M 6X 37	2							
18	2	X2114274200	COVER, TERMINAL	1							
19	1	26106-100302	BOLT, M10X 30 PLATED	2							
20	1	26716-080002	NUT, M8	1							
21	1	114351-78261	DYNAMO ASSY	1							
22	2	114351-78771	STATOR ASSY	1							
23	2	114351-78781	WHEEL, DYNAMO	1							
24	1	160710-78710	CLAMP, CORD	1							
25	1	26106-060122	BOLT, M6X 12 PLATED	1							
26	1	26106-060202	BOLT, M6X 20 PLATED	3							
27	1	26577-060142	SCREW M 6X 14	3							
28	1	119660-77710	LIMITER, CURRENT 15A	1							
29	1	26106-060122	BOLT, M6X 12 PLATED	2							
30	1	26106-060202	BOLT, M6X 20 PLATED	2							
31	1	114351-77540	HARNES, WIRE	1							
32	2	29411-200000	FUSE, CARTRIDGE 20A	2							
33	1	26023-040102	SCREW, M4X10	2							
34	1	114351-77500	PANEL ASSY	1							
35	2	105198-07120	LABEL, STARTER	1							
37	2	106100-77620	SWITCH, KEY	1							
38	3	106100-77630	KEY, SWITCH	1							
39	2	114351-77700	HARNES, WIRE	1							
40	3	29220-083200	BULB 12V/3.4W	1							
41	2	114351-77520	COUPLER	1							
42	1	114385-77400	BRACKET	1							

N:Old $\frac{100}{100}$ New, Q:Old $\frac{100}{100}$ New, R:Old $\frac{100}{100}$ New, S:Old $\frac{100}{100}$ New, W:Add, Z:Discontinued, F:Interchangeable by set, K:Q'ty Change
 Copyright (C) YANMAR CO., LTD. All Rights Reserved.

Fig.11. TOOL,LABEL & GASKET SET



No.	Lev.	Parts No.	Description	Q'ty						I	R
				(A)	(B)	(C)	(D)	(E)	(F)		
3	1	183250-07230	LABEL, OPERATION	1							
4	1	183251-07190	LABEL, DIESEL FUEL	1							
5	1	114250-07111	LABEL, YANMAR	1							
6	1	114268-07240	LABEL, CAUTION	1							
7	1	114261-07350	LABEL	1							
8	1	114268-07350	LABEL, HOW TO START	1							
12	1	114250-92600	BAG, TOOL	1							
13	1	160330-92730	DRIVE, SCREW	1							
14	1	28110-100120	SPANNER, 10X12	1							
15	1	28110-140170	SPANNER, 14X17	1							
16	1	28210-000150	OILER	1							
17	1	714651-92600	GASKET SET	1							1
18	2	114651-01330	GASKET SET, HEAD	1							
19	2	114650-01380	O-RING	1							
20	2	114650-01412	GASKET, CRANK CASE	1							
21	2	114299-01950	O-RING, 18	2							
22	2	114250-01841	GASKET	1							
23	2	22190-160002	WASHER, SEAL 16	2							
24	2	114650-11340	SEAL, VALVE STEM	2							
25	2	114771-11461	GASKET, NOZZLE	1							
26	2	114651-11310	GASKET, BONNET	1							
27	2	114650-12301	GASKET	1							
28	2	114650-12211	GASKET, AIR CLEANER	1							
29	2	114650-13201	GASKET (NON-ASB.)	1							
30	2	103338-32570	O-RING	1							
31	2	24341-000224	O-RING, 1AS22.4	1							
32	1	114250-92101	F.W. LOCKING HANDLE	1							1
33	1	114250-92130	REMOVER, FLYWHEEL	1							1
35	2	26116-060454	BOLT M 6X 45 PLATED	4							1
36	2	26116-080454	BOLT, M8X 45 PLATED	3							1
37	2	26716-060002	NUT, M6	8							1
38	2	26716-080002	NUT, M8	6							1
39	1	114668-92300	GUIDE, OIL SEAL	1							1
40	1	114650-92310	INSTALLING TOOL	1							1
41	1	114650-92350	INSTALLING TOOL	1							1

Remarks
(1) OPTIONAL PART.

N:Old $\frac{New}{Old}$ New, Q:Old $\frac{New}{Old}$ New, R:Old $\frac{New}{Old}$ New, S:Old $\frac{New}{Old}$ New, W:Add, Z:Discontinued, F:Interchangeable by set, K:Qty Change
Copyright (C) YANMAR CO., LTD. All Rights Reserved.

Parts No. Index

Parts No.	Fig. No.	Ref. No.
103338-32570	6	8
	11	30
104200-55080	9	11
104200-66820	6	39
104200-66831	6	40
104200-66850	6	41
104211-11370	2	24
105025-01220	1	8
105198-07120	10	35
105300-23200	5	38
105425-01690	1	26
105546-51020	8	2
105546-51330	8	14
106100-77620	10	37
106100-77630	10	38
106990-44660	9	20
114250-01800	1	30
114250-01830	1	41
114250-01841	1	42
	11	22
114250-03591	2	36
114250-03640	2	39
114250-07111	11	5
114250-11240	2	16
	20	20
114250-11901	2	28
114250-12300	3	12
114250-32070	6	7
114250-35110	6	11
114250-35150	1	43
114250-45301	7	7
114250-45310	7	8
114250-51080	8	3
114250-51160	8	10
114250-51340	8	15
114250-51600	8	17
114250-51640	8	18
114250-51650	8	19
114250-53120	8	24
114250-53331	8	31
114250-53400	8	32
114250-66200	6	47
114250-66440	6	38
114250-92101	11	32
114250-92130	11	33
114250-92600	11	12
114252-12550	3	11
114252-12560	3	10
114261-07350	11	7
114268-07240	11	6

Parts No.	Fig. No.	Ref. No.
114268-07350	11	8
114270-01600	1	45
114270-61520	6	30
114299-01950	1	29
	11	21
114299-02030	1	51
114350-01700	1	6
114350-45320	7	2
114350-45340	7	3
114351-77500	10	34
114351-77520	10	41
114351-77540	10	31
114351-77700	10	39
114351-78261	10	21
114351-78771	10	22
114351-78781	10	23
114353-59060	9	26
114360-59011	9	19
114362-77011	10	1
114370-45351	7	10
114371-77160	10	7
114371-77170	10	13
114371-79040	10	8
114371-79050	10	9
114371-79060	10	10
114371-79070	10	17
114381-77110	10	2
114381-77130	10	5
114381-77140	10	6
114381-77151	10	12
114385-77400	10	42
114650-01230	1	9
114650-01240	1	10
114650-01250	1	11
114650-01260	1	12
114650-01380	1	19
	11	19
114650-01412	1	20
	11	20
114650-02100	1	24
114650-02150	1	52
114650-02200	1	58
114650-02210	1	59
114650-07450	3	4
114650-11121	2	8
114650-11340	2	23
	11	24
114650-11600	2	27
114650-12211	3	1
	11	28

Parts No.	Fig. No.	Ref. No.
114650-12301	3	14
	11	27
114650-12520	3	5
114650-12590	3	7
114650-13201	4	1
	11	29
114650-14200	5	6
114650-14402	5	8
114650-21551	5	18
114650-32010	6	1
114650-45201	7	1
114650-45330	7	9
114650-51300	8	11
114650-59850	8	45
114650-76631	7	23
114650-92310	11	40
114650-92350	11	41
114651-01330	1	13
	11	18
114651-11020	2	1
114651-11100	2	6
114651-11110	2	7
114651-11250	2	12
114651-11260	2	13
114651-11310	2	33
	11	26
114651-11650	2	14
114651-11660	2	18
114651-11950	2	34
114651-53000	8	22
114651-59803	8	44
114652-22040	5	52
114652-22050	5	58
114652-22140	5	54
114652-22150	5	60
114660-01471	1	21
114660-76052	7	11
114660-76251	7	12
114660-76531	7	14
114660-76592	7	24
114662-21601	5	22
114668-45102	7	6
114668-92300	11	39
114699-01760	1	27
114699-12020	3	13
114699-21590	5	19
114699-22300	5	32
114770-61190	6	33
114770-61600	6	31
114770-61610	6	32

Parts No.	Fig. No.	Ref. No.
114771-11461	2	25
	11	25
114771-11470	2	26
114771-14260	5	7
114771-61700	6	48
114771-61810	6	49
114771-61830	6	50
114771-61890	6	56
114771-61940	6	51
114771-61960	6	58
114771-66600	6	52
114771-66690	6	53
114775-53140	8	26
114775-53210	8	27
114870-76530	7	15
114870-76540	7	16
114870-76560	7	18
114870-76570	7	19
114870-76580	7	20
114870-76620	7	22
114875-53100	8	28
114880-76520	7	13
114880-76550	7	17
114970-13551	4	2
114970-13700	4	5
114970-13710	4	6
114970-51100	8	4
114970-66010	6	46
114980-12510	3	3
114980-12530	3	6
119593-53080	8	23
119593-53130	8	25
119620-11180	2	9
119660-77710	10	28
122710-01220	5	9
124060-23100	5	37
124195-77770	10	16
124298-77020	10	15
124550-51350	8	16
124722-59050	9	23
129792-22400	5	33
135210-61090	6	55
160260-01580	4	3
160330-92730	11	13
160393-55050	9	10
160710-55061	9	3
160710-55100	9	12
160710-78710	10	24
183250-07230	11	3
183250-59040	9	21

Parts No. Index

Parts No.	Fig. No.	Ref. No.
183250-66050	6	35
183250-66070	6	36
183250-66100	6	37
183250-66500	6	34
183251-07190	11	4
183254-55120	9	15
183279-08210	1	60
183350-55120	9	17
183350-55130	9	24
183621-55150	9	13
183720-55210	7	4
	9	18
22190-120002	9	14
22190-160002	1	50
	11	23
22242-000150	2	22
22312-030160	2	41
	6	9
22312-040080	1	57
22322-030200	6	23
22351-020006	8	20
22351-030008	8	9
22351-040008	2	29
22360-060000	9	25
22451-060000	6	54
22512-050140	5	23
23876-010000	1	44
24101-062034	5	46
24101-063034	5	47
24162-152112	1	53
24311-000180	6	59
24341-000224	6	13
	11	31
24341-000450	9	16
24423-355008	1	54
		55
26023-040102	10	33
26106-060082	7	25
26106-060122	6	10
	7	26
	10	25
		29
26106-060142	6	45
26106-060162	6	14
26106-060202	7	5
	10	26
		30
26106-060252	3	15
26106-060452	6	44
26106-060702	2	44

Parts No.	Fig. No.	Ref. No.
26106-080122	1	56
26106-080182	4	7
26106-080352	1	46
26106-080552	2	30
26106-100122	1	7
26106-100302	10	19
26116-060454	11	35
26116-080454	11	36
26216-080182	4	8
26226-060142	3	16
26226-060182	1	47
26226-060222	1	48
26226-060552	2	31
26226-060752	3	2
26306-080002	4	9
26366-060002	1	49
	2	32
	9	27
26577-060142	10	27
26696-100002	6	42
26716-060002	11	37
26716-080002	10	20
	11	38
26757-060002	6	43
26856-060002	2	17
		21
27310-070001	2	10
28110-100120	11	14
28110-140170	11	15
28210-000150	11	16
29220-083200	10	40
29411-200000	10	32
714650-23600	5	39
714650-23610	5	48
714650-23620	5	50
714651-92600	11	17
714652-22720	5	24
714655-01560	1	1
714656-51100	8	1
714656-53101	8	21
714659-21700	5	10
71465G-23700	5	34
714685-61500	6	15
714685-61700	6	24
714689-14580	5	1
714970-22500	5	26
714970-28511	5	41
783377-55710-1	9	1
X2114274200	10	18
X2114455080	10	11

Parts No.	Fig. No.	Ref. No.
X2114560180	10	14
X2114715500	10	4
X2114811000	10	3

Parts No.	Fig. No.	Ref. No.
-----------	----------	----------