

OCR10-M51600EN

PREFACE

- 1.This Parts Catalog carries all parts incorporated in YANMAR Model L100EE-D & L100EE-DE & L100EE-DG & L100EE-DEG & L100EE-DP & L100EE-DEP engine manufactured since April,2000.
- 2.Each illustration corresponds to the parts list on the followingpage.
- 3.When ordering parts,clearly write down the engine model and serial number,as well as the name and number of each part in your order sheet. This will help insure reliable delivery of the parts youhave ordered.

Directions for the Parts Catalog.

1. The parts stipulated in this Parts Catalog are not necessarily standard equipped parts.
2. Parts may change without prior notice.
3. The following is an example of the Parts Catalog format.

REF.	LEV.	PARTS NO.	DESCRIPTION	Q'TY						I	R
				(A)	(B)	(C)	(D)	(E)	(F)		
1	1	729595-51390	FUEL INJECTION PUMP	1	1	1	1	1			1
1-1	1	729595-51391	FUEL INJECTION PUMP	1	1	1	1	1		N	1
		(A=E00185) (B=E00200)									
3	2	26022-060162	SCREW M 6X 16	9	9	9	9	9			
3-1	2	26022-060162	SCREW M 6X 16	4	4	4	4	4		K	
		(A=E00156) (B=E00156) (C=E00156) (D=E00156) (E=E00156)									
4	2	129470-51040	CAMSHAFT	1	1	1	1	1			
5	2	122710-51050	BEARING, ROLLER	2	2	2	2	2			
6	2	129470-51060	RETAINER	1	1	1	1	1			

Remarks
(1) BOOST COMPEMSATOR TYPE. OPTIONAL PART, TO E00155,(4JH-DT, 4JH-DTZ

① Ref. No.

The Ref. No. listed may not be in accordance with the illustration Ref. No.

(Ex.) Illustration No.

List Ref No.

1 1 (Before change) → 1-1 (After change)

For interchangeable symbols N, R and K, illustrations for new parts may be abbreviated.

② Lev. (Level)

Level indication

The numbers below indicate the level of relativity towards the main part.

1 ---- Main parts (Assembly parts)

2 ---- Sub component included in " 1 ".

3 ---- Sub component included in " 2 ".

Note) Parts that are not for sale are partially illustrated but not listed.

③ Interchangeability Mark

When a part change takes place, one of the following interchangeability symbols is indicated beside the part.

Symbol	Interchangeability	Contents note
N	Old $\begin{matrix} \leftarrow \text{Yes} \\ \text{No} \rightarrow \end{matrix}$ New	New Part is interchangeable for Old Part but Old Part is not interchangeable for New Part.
Q	Old $\begin{matrix} \leftarrow \text{No} \\ \text{Yes} \rightarrow \end{matrix}$ New	New Part is not interchangeable for Old Part but Old Part is interchangeable for New Part.
R	Old $\begin{matrix} \leftarrow \text{Yes} \\ \text{Yes} \rightarrow \end{matrix}$ New	New/ Old Parts are both interchangeable.
S	Old $\begin{matrix} \leftarrow \text{No} \\ \text{No} \rightarrow \end{matrix}$ New	New/ Old Parts are both not interchangeable.
W		Part newly added.
Z		Part discontinued.
F		Not interchangeable by a single part but interchangeable together with related parts.
K		Changes only for used parts quantities.

④ Effective Machine No.

When a part changes, the effective Machine No. will be indicated in the (A)-(F) column.

Product Symbol	Product No.	Product Symbol	Product No.
C	Clutch No. Compressor No.	F	Machine No. (Agricultural Equip.)
D	Drive No.	M	Machine No.
E	Engine No.		

Note 1) A date may follow the symbol. (Ex.) 1996.01

Note 2) "XXXXX" and "ZZZZZ" are for parts that could not be predicted or for engine models that could not be identified.

Note 3) (A=E00185) is the E (Engine Serial Number) for the column (A) model (in this case 4JH-DT) after the parts design change.

⑤ Remarks Mark

Figures or alphabets (symbols) are entered in the remarks column.

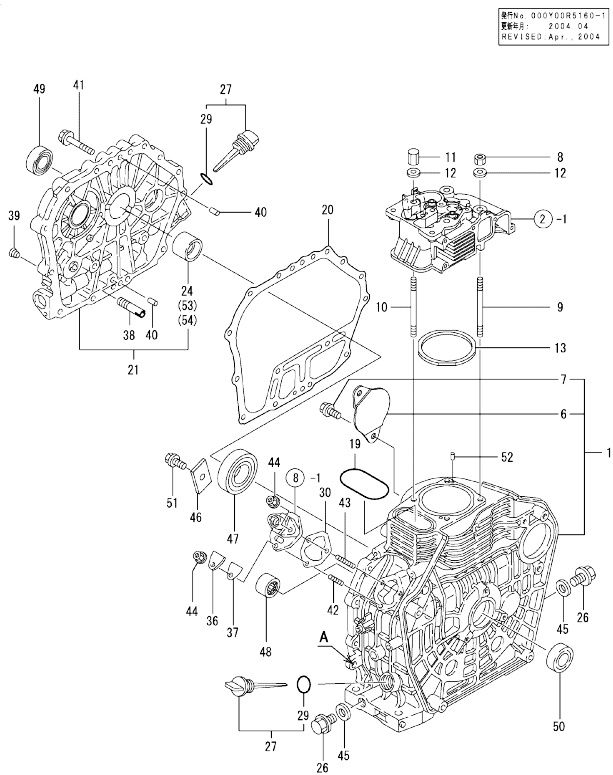
The comments (remarks) on parts that are indicated at the bottom of the illustration are the same symbols as those stated above.

Contents

Fig. No.	Fig. Name	Fig. No.	Fig. Name
L100EE-D(E),D(E)G,D(E)P			
1.	CYLINDER BLOCK		
2.	CYLINDER HEAD & BONNET		
3.	AIR CLEANER		
4.	MUFFLER		
5.	CRANKSHAFT,PISTON & CAMSHAFT		
6.	LUB.OIL PUMP & GOVERNOR		
7.	COOLING & STARTING DEVICE		
8.	FUEL INJECTION PUMP		
9.	FUEL TANK & FUEL LINE		
10.	STARTING MOTOR & DYNAMO		
11.	TOOL,LABEL & GASKET SET		

OCR10-M51600

Fig.1. CYLINDER BLOCK



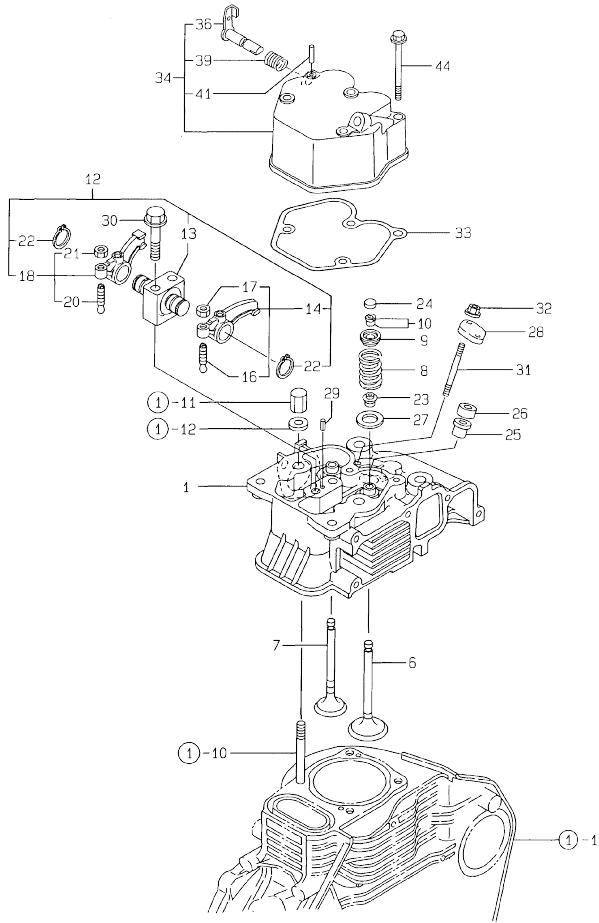
No.	Lev.	Parts No.	Description	Qty						I	R
				(A)	(B)	(C)	(D)	(E)	(F)		
1	1	714970-01560	BLOCK ASSY, CYLINDER	1	1	1	1	1	1		
1-1	1	714655-01560	BLOCK ASSY, CYLINDER	1	1	1	1	1	1	S	3
		(A=E04349) (B=E03013) (C=E09240) (D=E11856) (E=E05394) (F=E02179)									
6	2	114350-01700	COVER	1	1	1	1	1	1		
7	2	26106-100122	BOLT, M10X 12 PLATED	2	2	2	2	2	2		
8	1	105025-01220	NUT, CYLINDER HEAD	2	2	2	2	2	2		
9	1	114650-01230	BOLT, HEAD	2	2	2	2	2	2		
10	1	114650-01240	BOLT, HEAD	2	2	2	2	2	2		
11	1	114650-01250	NUT, CYLINDER HEAD	2	2	2	2	2	2		
12	1	114650-01260	WASHER	4	4	4	4	4	4		
13	1	114651-01330	GASKET SET, HEAD	1	1	1	1	1	1		
19	1	114650-01380	O-RING	1	1	1	1	1	1		
20	1	114650-01412	GASKET, CRANK CASE	1	1	1	1	1	1		
21	1	114660-01471	COVER, CRANK CASE	1	1	1	1	1	1		
24	2	114650-02100	BEARING, MAIN	1	1	1	1	1	1		1
26	1	105425-01690	PLUG, 16	2	2	2	2	2	2		
27	1	114699-01760	CAP ASSY	2	2	2	2	2	2		
29	2	114299-01950	O-RING, 18	2	2	2	2	2	2		
30	1	114250-01800	SHIM SET	1	1	1	1	1	1		
36	1	114250-01830	COVER	1	1	1	1	1	1		
37	1	114250-01841	GASKET	1	1	1	1	1	1		
38	1	114250-35150	PIPE, OIL INLET	1	1	1	1	1	1		
39	1	23876-010000	PLUG, R01	1	1	1	1	1	1		
40	1	114270-01600	PIN, M8X12	2	2	2	2	2	2		
41	1	26106-080352	BOLT, M8X 35 PLATED	16	16	16	16	16	16		
42	1	26226-060182	STUD, M6X 18	1	1	1	1	1	1		
43	1	26226-060222	STUD, M6X 22	2	2	2	2	2	2		
44	1	26366-060002	NUT, M6	3	3	3	3	3	3		
45	1	22190-160002	WASHER, SEAL 16	2	2	2	2	2	2		
46	1	114299-02030	RETAINER, BEARING	1	1	1	1	1	1		
47	1	114650-02150	BEARING, HR6308G3C3	1	1	1	1	1	1		
48	1	24162-152112	BEARING, 152112	1	1	1	1	1	1		
49	1	24423-355008	SEAL, OIL TC355008	1	1	1	1	1	1		
50	1	24423-355008	SEAL, OIL TC355008	1	1	1	1	1	1		
51	1	26106-080122	BOLT, M8X 12 PLATED	1	1	1	1	1	1		
52	1	22312-040080	PIN, PARALLEL M4X 8	2	2	2	2	2	2		
53	1	114650-02200	BEARING, 0.25 US	1	1	1	1	1	1		2
54	1	114650-02210	BEARING, 0.50 US	1	1	1	1	1	1		2

Remarks

- (1) REPAIR PART.
- (2) UNDER-SIZED PART.
- (3) A= REF.NO.1 M10 X 1.25.
- REF.NO.1-1 M14 X 1.25.

Fig.2. CYLINDER HEAD & BONNET

2. CYLINDER HEAD & BONNET

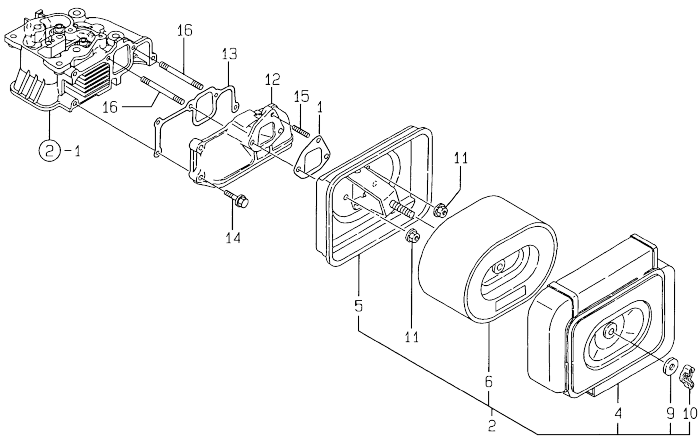


No.	Lev.	Parts No.	Description	Qty						I	R
				(A)	(B)	(C)	(D)	(E)	(F)		
1	1	114651-11020	HEAD ASSY, CYLINDER	1	1	1	1	1	1		
6	1	114651-11100	VALVE, INTAKE	1	1	1	1	1	1		
7	1	114651-11110	VALVE, EXHAUST	1	1	1	1	1	1		
8	1	114650-11121	SPRING, VALVE	2	2	2	2	2	2		
9	1	119620-11180	RETAINER, SPRING	2	2	2	2	2	2		
10	1	27310-070001	COTTER, 7	2	2	2	2	2	2		
12	1	114651-11250	SUPPORT ASSY, ARM	1	1	1	1	1	1		
13	2	114651-11260	SUPPORT, ROCKER ARM	1	1	1	1	1	1		
14	2	114651-11650	ARM, ROCKER	1	1	1	1	1	1		
16	3	114250-11240	SCREW, VALVE ADJUST	1	1	1	1	1	1		
17	3	26856-060002	NUT, M6	1	1	1	1	1	1		
18	2	114651-11660	ARM, ROCKER	1	1	1	1	1	1		
20	3	114250-11240	SCREW, VALVE ADJUST	1	1	1	1	1	1		
21	3	26856-060002	NUT, M6	1	1	1	1	1	1		
22	2	22242-000150	RING, 15	2	2	2	2	2	2		
23	1	114650-11340	SEAL, VALVE STEM	2	2	2	2	2	2		
24	1	104211-11370	CAP, VALVE	2	2	2	2	2	2		
25	1	114771-11461	GASKET, NOZZLE	1	1	1	1	1	1		
26	1	114771-11470	SPACER, NOZZLE	1	1	1	1	1	1		
27	1	114650-11600	WASHER	2	2	2	2	2	2		
28	1	114250-11901	RETAINER, NOZZLE	1	1	1	1	1	1		
29	1	22351-040008	PIN, SPRING 4.0X 8	1	1	1	1	1	1		
30	1	26106-080552	BOLT, M8X 55 PLATED	2	2	2	2	2	2		
31	1	26226-060502	STUD, M6X 50	2	2	2	2	2	2		
32	1	26366-060002	NUT, M6	2	2	2	2	2	2		
33	1	114651-11310	GASKET, BONNET	1	1	1	1	1	1		
34	1	114651-11950	BONNET ASSY, HEAD	1	1	1	1	1	1		
36	2	114250-03591	LEVER ASSY	1	1	1	1	1	1		
39	2	114250-03640	SPRING, DECOMPRESSION	1	1	1	1	1	1		
41	2	22312-030160	PIN, PARALLEL M3X16	1	1	1	1	1	1		
44	1	26106-060702	BOLT, M6X 70 PLATED	3	3	3	3	3	3		

OCR10-M51600

Fig.3. AIR CLEANER

3. AIR CLEANER

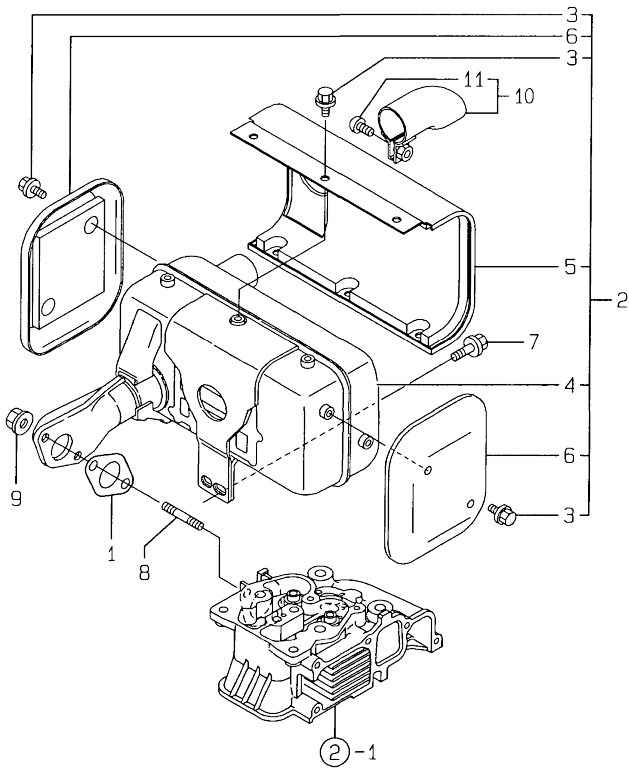


No.	Lev.	Parts No.	Description	Q'ty						I	R
				(A)	(B)	(C)	(D)	(E)	(F)		
1	1	114650-12211	GASKET, AIR CLEANER	1	1	1	1	1	1		
2	1	714650-12560	CLEANER ASSY, AIR	1	1	1	1	1	1		
4	2	114650-12520	COVER, AIR CLEANER	1	1	1	1	1	1		
5	2	114650-12530	CASE ASSY, CLEANER	1	1	1	1	1	1		
6	2	114650-12590	ELEMENT ASSY	1	1	1	1	1	1		
9	2	114252-12560	WASHER, SEAL M8	1	1	1	1	1	1		
10	2	114252-12550	NUT, WING M8	1	1	1	1	1	1		
11	1	114250-12300	NUT	3	3	3	3	3	3		
12	1	114699-12020	PIPE, AIR INTAKE	1	1	1	1	1	1		
13	1	114650-12301	GASKET	1	1	1	1	1	1		
14	1	26106-060252	BOLT, M6X 25 PLATED	3	3	3	3	3	3		
15	1	26226-060142	STUD, M6X 14	1	1	1	1	1	1		
16	1	26226-060752	STUD, M6X 75	2	2	2	2	2	2		

N:Old $\frac{100}{100}$ New, Q:Old $\frac{100}{100}$ New, R:Old $\frac{100}{100}$ New, S:Old $\frac{100}{100}$ New, W:Add, Z:Discontinued, F:Interchangeable by set, K:Qty Change
 Copyright (C) YANMAR CO., LTD. All Rights Reserved.

Fig.4. MUFFLER

4. MUFFLER

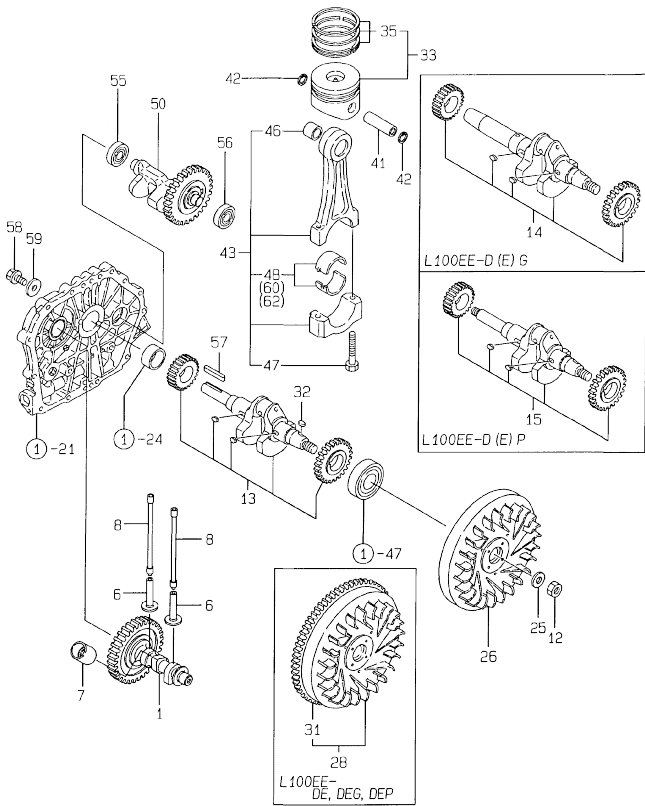


(A)=L100EE-D
(B)=L100EE-DE
(C)=L100EE-DG
(D)=L100EE-DEG
(E)=L100EE-DP
(F)=L100EE-DEP

No.	Lev.	Parts No.	Description	Qty						I	R
				(A)	(B)	(C)	(D)	(E)	(F)		
1	1	114650-13201	GASKET, MUFFLER	1	1	1	1	1	1		
2	1	114970-13550	MUFFLER ASSY	1	1	1	1	1	1		
3	2	160260-01580	BOLT, FLANGE M6X6	10	10	10	10	10	10		
4	2	114970-13560	MUFFLER	1	1	1	1	1	1		
5	2	114970-13700	COVER	1	1	1	1	1	1		
6	2	114970-13710	COVER	2	2	2	2	2	2		
7	1	26106-080182	BOLT, M8X 18 PLATED	2	2	2	2	2	2		
8	1	26216-080182	STUD, M8X 18	2	2	2	2	2	2		
9	1	26366-080002	NUT, M8	2	2	2	2	2	2		
10	1	114658-13800	PIPE	1	1	1	1	1	1		
11	2	26554-060182	SCREW, M6X18	1	1	1	1	1	1		

Fig.5. CRANKSHAFT,PISTON & CAMSHAFT

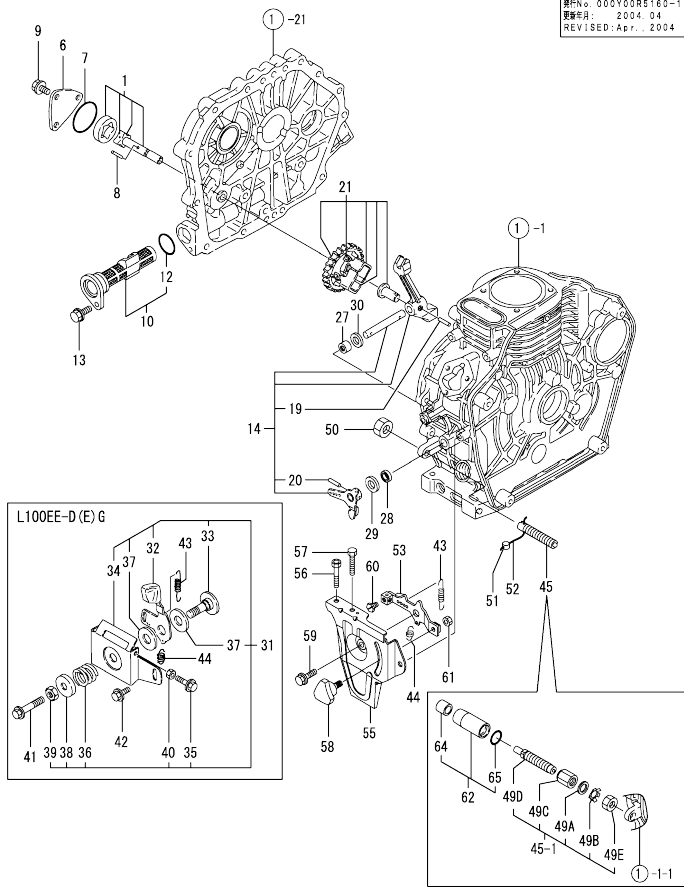
5.CRANKSHAFT, PISTON & CAMSHAFT



No.	Lev.	Parts No.	Description	Q'ty						I	R
				(A)	(B)	(C)	(D)	(E)	(F)		
1	1	714689-14580	CAMSHAFT ASSY	1	1	1	1	1	1		
6	1	114650-14200	TAPPET	2	2	2	2	2	2		
7	1	114771-14260	TAPPET	1	1	1	1	1	1		
8	1	114650-14401	ROD ASSY, PUSH	2	2	2	2	2	2		
12	1	122710-01220	NUT, CYLINDER HEAD	1	1	1	1	1	1		
13	1	714657-21700	CRANKSHAFT ASSY	1	1						
14	1	714658-21700	CRANKSHAFT ASSY			1	1				
15	1	714659-21700	CRANKSHAFT ASSY					1	1		
25	1	114650-21551	WASHER	1	1	1	1	1	1		
26	1	114660-21402	FLYWHEEL	1	1	1	1	1	1		
28	1	114662-21593	FLYWHEEL ASSY		1		1		1		
31	2	114662-21601	GEAR, RING		1		1		1		
32	1	22512-050140	KEY, 5X 14	1	1	1	1	1	1		
33	1	714652-22720	PISTON ASSY, D	1	1	1	1	1	1		
35	2	714970-22500	RING SET, PISTON	1	1	1	1	1	1		
41	1	114699-22300	PIN, PISTON D=23	1	1	1	1	1	1		
42	1	129792-22400	CIRCLIP, 23	2	2	2	2	2	2		
43	1	714650-23700	ROD ASSY, CONNECTING	1	1	1	1	1	1		
46	2	124060-23100	BEARING, PISTON PIN	1	1	1	1	1	1		
47	1	105300-23200	BOLT, CONNECTING ROD	2	2	2	2	2	2		
48	2	714650-23600	BEARING, CRANK PIN	1	1	1	1	1	1		
50	1	714970-28511	SHAFT ASSY, BALANCER	1	1	1	1	1	1		
55	1	24101-062034	BEARING, BALL 6203	1	1	1	1	1	1		
56	1	24101-063034	BEARING, BALL 6303	1	1	1	1	1	1		
57	1	160842-21150	KEY, 6.3X50	1	1						
58	1	160842-21250	BOLT, 7/16-20UNF	1	1						
59	1	160842-21260	WASHER	1	1						
60	1	714650-23610	BEARING ASSY, 0.25	1	1	1	1	1	1	1	1
62	1	714650-23620	BEARING, 0.50 US	1	1	1	1	1	1	1	1

Remarks
(1) UNDER-SIZED PART.

Fig.6. LUB.OIL PUMP & GOVERNOR

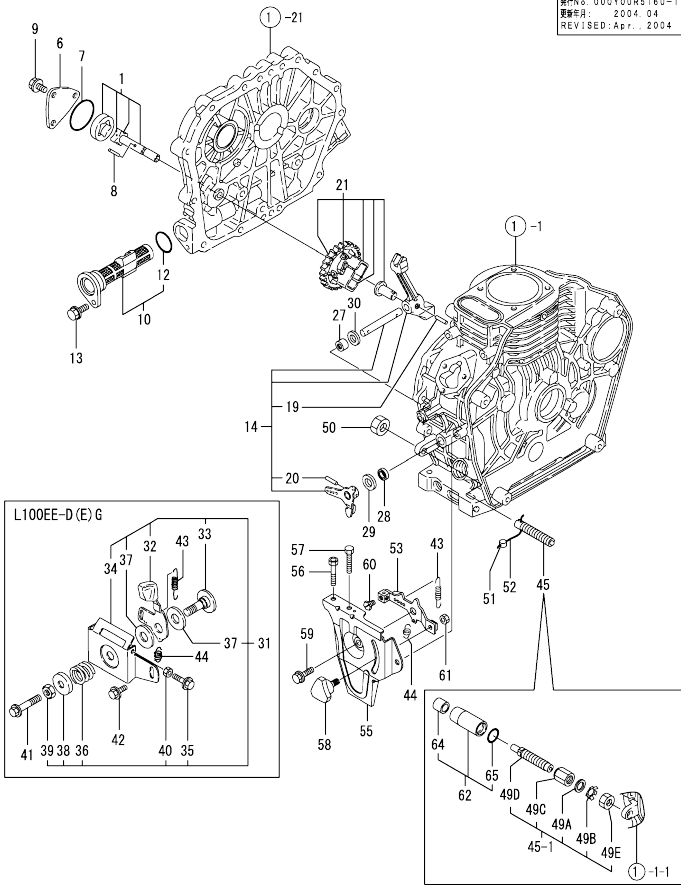


No.	Lev.	Parts No.	Description	Q'ty						I	R
				(A)	(B)	(C)	(D)	(E)	(F)		
1	1	114650-32010	PUMP ASSY, OIL	1	1	1	1	1	1		
6	1	114250-32070	COVER	1	1	1	1	1	1		
7	1	103338-32570	O-RING	1	1	1	1	1	1		
8	1	22312-030160	PIN, PARALLEL M3X16	1	1	1	1	1	1		
9	1	26476-060142	SCREW, TAPPING M6X14	3	3	3	3	3	3		
10	1	114250-35110	FILTER ASSY, OIL	1	1	1	1	1	1		
12	2	24341-000224	O-RING, 1AS22.4	1	1	1	1	1	1		
13	1	26106-060162	BOLT, M6X 16 PLATED	1	1	1	1	1	1		
14	1	714650-61500	LEVER ASSY, GOVERNOR	1	1	1	1	1	1		
19	2	22322-030200	PIN, TAPER 3X20	1	1	1	1	1	1		
20	2	22322-030200	PIN, TAPER 3X20	1	1	1	1	1	1		
21	1	714685-61700	GOVERNOR ASSY	1	1	1	1	1	1		
27	1	114270-61520	BEARING, NEEDLE 8	2	2	2	2	2	2		
28	1	114770-61600	SEAL, OIL	1	1	1	1	1	1		
29	1	114770-61610	WASHER, THRUST	1	1	1	1	1	1		
30	1	114770-61190	WASHER	1	1	1	1	1	1		
31	1	183250-66500	BRACKET ASSY								
32	2	183250-66050	HANDLE, REGULATOR								
33	2	183250-66070	SHAFT, HANDLE								
34	2	183250-66100	BRACKET, RADIATOR								
35	2	114250-66440	BOLT, ADJUSTING								
36	2	104200-66820	SPRING								
37	2	104200-66830	PLATE, FRICTION								
38	2	104200-66850	WASHER								
39	2	26696-100002	NUT, LOCK M10								
40	2	26757-060002	NUT, LOCK M6								
41	1	26106-060452	BOLT, M6X 45 PLATED								
42	1	26476-060142	SCREW, TAPPING M6X14								
43	1	114970-66010	SPRING, REGULATOR	1	1	1	1	1	1		
44	1	114250-66200	SPRING, RETURN	1	1	1	1	1	1		
45	1	114651-66550	LIMITER ASSY, FUEL	1	1	1	1	1	1		
45-1	1	114771-61700	LIMITER ASSY, FUEL	1	1	1	1	1	1		S
		(A=E04349) (B=E03013) (C=E09240) (D=E11856) (E=E05394) (F=E02179)									
49A	2	114771-61810	WASHER, 14	1	1	1	1	1	1		W
		(A=E04349) (B=E03013) (C=E09240) (D=E11856) (E=E05394) (F=E02179)									
49B	2	114771-61830	PLATE	1	1	1	1	1	1		W
		(A=E04349) (B=E03013) (C=E09240) (D=E11856) (E=E05394) (F=E02179)									
49C	2	114771-61940	NUT, M14	1	1	1	1	1	1		W
		(A=E04349) (B=E03013) (C=E09240) (D=E11856) (E=E05394) (F=E02179)									
49D	2	114771-66600	LIMITER ASSY, FUEL	1	1	1	1	1	1		W
		(A=E04349) (B=E03013) (C=E09240) (D=E11856) (E=E05394) (F=E02179)									
49E	2	114771-66690	NUT, M14	1	1	1	1	1	1		W
		(A=E04349) (B=E03013) (C=E09240) (D=E11856) (E=E05394) (F=E02179)									
50	1	26696-100002	NUT, LOCK M10	1	1	1	1	1	1		Z
		(A=E04349) (B=E03013) (C=E09240) (D=E11856) (E=E05394) (F=E02179)									
51	1	135210-61090	LEAD	2	2	2	2	2	2		
52	1	22451-060000	WIRE, 0.6	2	2	2	2	2	2		
53	1	114250-66050	HANDLE, REGULATOR	1	1						
55	1	114299-66100	BRACKET	1	1						
56	1	114250-66440	BOLT, ADJUSTING	1	1						
57	1	102100-67080	BOLT, ADJUSTING	1	1						

N:Old, New, Q:Old, R:Old, S:Old, W:Add, Z:Discontinued, F:Interchangeable by set, K:Qty Change
 ++ CONTINUE ++
 Copyright (C) YANMAR CO., LTD. All Rights Reserved.

OCR10-M51600

Fig.6. LUB.OIL PUMP & GOVERNOR



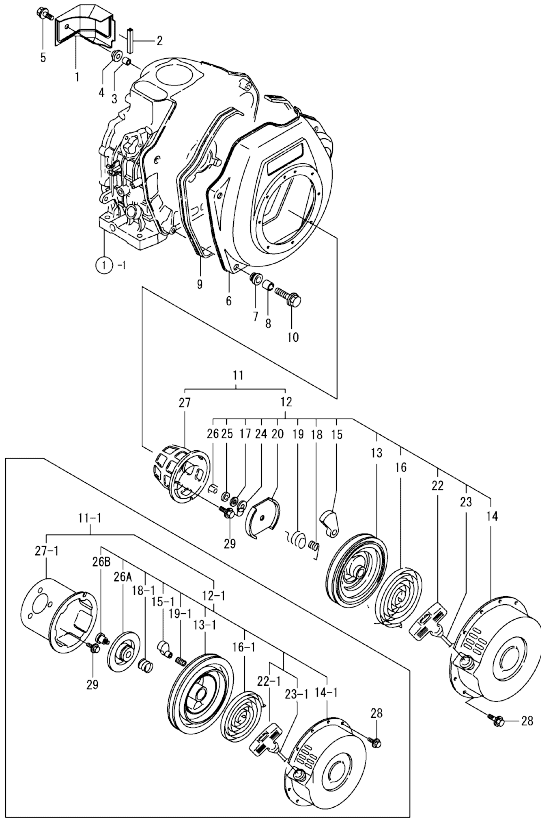
図番: 000Y00RE160-1
 発行日: 2004.04
 REVISED: Apr., 2004

No.	Lev.	Parts No.	Description	Qty						I	R
				(A)	(B)	(C)	(D)	(E)	(F)		
58	1	160725-78350	KNOB	1	1			1	1		
59	1	26106-060142	BOLT, M6X 14 PLATED	1	1			1	1		
60	1	26117-040088	BOLT M 4X 8 PLATED	1	1			1	1		
61	1	26347-060002	NUT, M6	1	1			1	1		
62	1	114771-61890	PROTECTOR ASSY	1	1	1	1	1	1	1	W
		(A=E04349)	(B=E03013)	(C=E09240)	(D=E11856)		(E=E05394)		(F=E02179)		
64	2	114771-61960	SPACER	1	1	1	1	1	1	1	W
		(A=E04349)	(B=E03013)	(C=E09240)	(D=E11856)		(E=E05394)		(F=E02179)		
65	2	24311-000180	O-RING, 1AP18.0	1	1	1	1	1	1	1	W
		(A=E04349)	(B=E03013)	(C=E09240)	(D=E11856)		(E=E05394)		(F=E02179)		

N:Old $\frac{New}{Old}$ New, Q:Old $\frac{New}{Old}$ New, R:Old $\frac{New}{Old}$ New, S:Old $\frac{New}{Old}$ New, W:Add, Z:Discontinued, F:Interchangeable by set, K:Qty Change
 Copyright (C) YANMAR CO., LTD. All Rights Reserved.

Fig.7. COOLING & STARTING DEVICE

7. COOLING & STARTING DEVICE



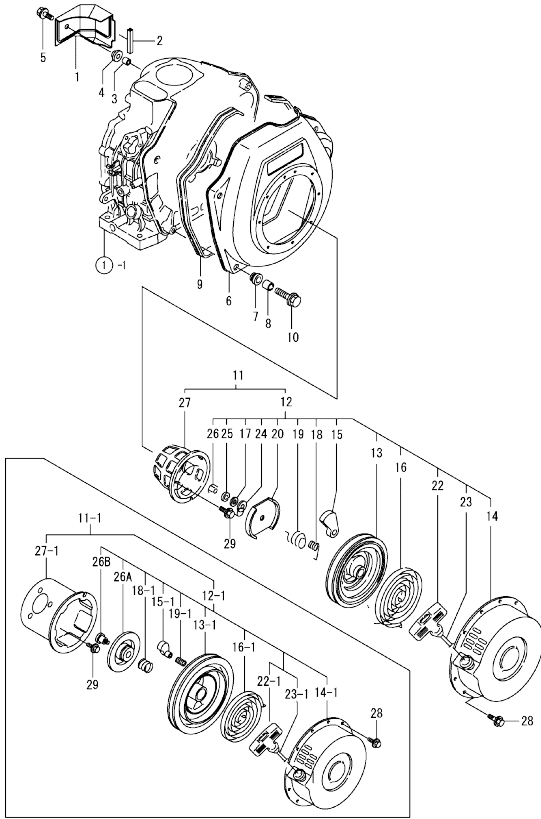
No.	Lev.	Parts No.	Description	Q'ty						I	R
				(A)	(B)	(C)	(D)	(E)	(F)		
1	1	114650-45201	COVER	1	1	1	1	1	1		
2	1	114350-45320	RUBBER, SEAL	1	1	1	1	1	1		
3	1	114350-45340	COLLAR	1	1	1	1	1	1		
4	1	183720-55210	GROMMET	1	1	1	1	1	1		
5	1	26106-060202	BOLT, M6X 20 PLATED	1	1	1	1	1	1		
6	1	114668-45102	CASE, COOLING FAN	1	1	1	1	1	1		
7	1	114250-45301	ABSORBER	4	4	4	4	4	4		
8	1	114250-45310	COLLAR	4	4	4	4	4	4		
9	1	114650-45330	SEAL, FAN CASE L=950	1	1	1	1	1	1		
10	1	114370-45351	BOLT	4	4	4	4	4	4		
11	1	114660-76051	STARTER ASSY, RECOIL	1	1	1	1	1	1		
11-1	1	114660-76052	STARTER ASSY, RECOIL	1	1	1	1	1	1	R	1
		(A=EZZZZZ)	(B=EZZZZZ)	(C=EZZZZZ)	(D=EZZZZZ)	(E=EZZZZZ)	(F=EZZZZZ)				
12	2	114660-76250	STARTER ASSY, RECOIL	1	1	1	1	1	1		
12-1	2	114660-76251	STARTER ASSY, RECOIL	1	1	1	1	1	1	S	
		(A=EZZZZZ)	(B=EZZZZZ)	(C=EZZZZZ)	(D=EZZZZZ)	(E=EZZZZZ)	(F=EZZZZZ)				
13	3	114650-76520	REEL	1	1	1	1	1	1		
13-1	3	114880-76520	REEL	1	1	1	1	1	1	S	
		(A=EZZZZZ)	(B=EZZZZZ)	(C=EZZZZZ)	(D=EZZZZZ)	(E=EZZZZZ)	(F=EZZZZZ)				
14	3	114660-76530	CASE, STARTER	1	1	1	1	1	1		
14-1	3	114660-76531	CASE, STARTER	1	1	1	1	1	1	S	
		(A=EZZZZZ)	(B=EZZZZZ)	(C=EZZZZZ)	(D=EZZZZZ)	(E=EZZZZZ)	(F=EZZZZZ)				
15	3	160910-76530	RATCHET	1	1	1	1	1	1		
15-1	3	114870-76530	RATCHET	2	2	2	2	2	2	S	
		(A=EZZZZZ)	(B=EZZZZZ)	(C=EZZZZZ)	(D=EZZZZZ)	(E=EZZZZZ)	(F=EZZZZZ)				
16	3	114650-76540	SPRING, SPIRAL	1	1	1	1	1	1		
16-1	3	114870-76540	SPRING, SPIRAL	1	1	1	1	1	1	S	
		(A=EZZZZZ)	(B=EZZZZZ)	(C=EZZZZZ)	(D=EZZZZZ)	(E=EZZZZZ)	(F=EZZZZZ)				
17	3	160910-76550	WASHER, THRUST	1	1	1	1	1	1	Z	
18	3	160910-76560	SPRING, FRICTION	1	1	1	1	1	1		
18-1	3	114870-76560	SPRING, FRICTION	1	1	1	1	1	1	S	
		(A=EZZZZZ)	(B=EZZZZZ)	(C=EZZZZZ)	(D=EZZZZZ)	(E=EZZZZZ)	(F=EZZZZZ)				
19	3	160910-76570	SPRING, RETURN	1	1	1	1	1	1		
19-1	3	114870-76570	SPRING, RETURN	2	2	2	2	2	2		
		(A=EZZZZZ)	(B=EZZZZZ)	(C=EZZZZZ)	(D=EZZZZZ)	(E=EZZZZZ)	(F=EZZZZZ)				
20	3	160910-76580	PLATE, FRICTION	1	1	1	1	1	1	Z	
		(A=EZZZZZ)	(B=EZZZZZ)	(C=EZZZZZ)	(D=EZZZZZ)	(E=EZZZZZ)	(F=EZZZZZ)				
22	3	160910-76620	KNOB, STARTER	1	1	1	1	1	1		
22-1	3	114870-76620	KNOB, STARTER	1	1	1	1	1	1	S	
		(A=EZZZZZ)	(B=EZZZZZ)	(C=EZZZZZ)	(D=EZZZZZ)	(E=EZZZZZ)	(F=EZZZZZ)				
23	3	160910-76630	ROPE, STARTER	1	1	1	1	1	1		
23-1	3	114650-76631	ROPE, STARTER	1	1	1	1	1	1	S	
		(A=EZZZZZ)	(B=EZZZZZ)	(C=EZZZZZ)	(D=EZZZZZ)	(E=EZZZZZ)	(F=EZZZZZ)				
24	3	160910-76650	WASHER, THRUST	1	1	1	1	1	1	Z	
		(A=EZZZZZ)	(B=EZZZZZ)	(C=EZZZZZ)	(D=EZZZZZ)	(E=EZZZZZ)	(F=EZZZZZ)				
25	3	22217-060000	WASHER, SPRING 6	1	1	1	1	1	1	Z	
		(A=EZZZZZ)	(B=EZZZZZ)	(C=EZZZZZ)	(D=EZZZZZ)	(E=EZZZZZ)	(F=EZZZZZ)				
26	3	26717-060002	NUT, M6	1	1	1	1	1	1	Z	
		(A=EZZZZZ)	(B=EZZZZZ)	(C=EZZZZZ)	(D=EZZZZZ)	(E=EZZZZZ)	(F=EZZZZZ)				
26A	3	114880-76550	GUIDE, RATCHET	1	1	1	1	1	1	W	
		(A=EZZZZZ)	(B=EZZZZZ)	(C=EZZZZZ)	(D=EZZZZZ)	(E=EZZZZZ)	(F=EZZZZZ)				

Remarks
 (1) Interchangeable by simultaneous replacement with Ref.12-1 and Ref.27-1

OCR10-M51600

Fig.7. COOLING & STARTING DEVICE

7. COOLING & STARTING DEVICE



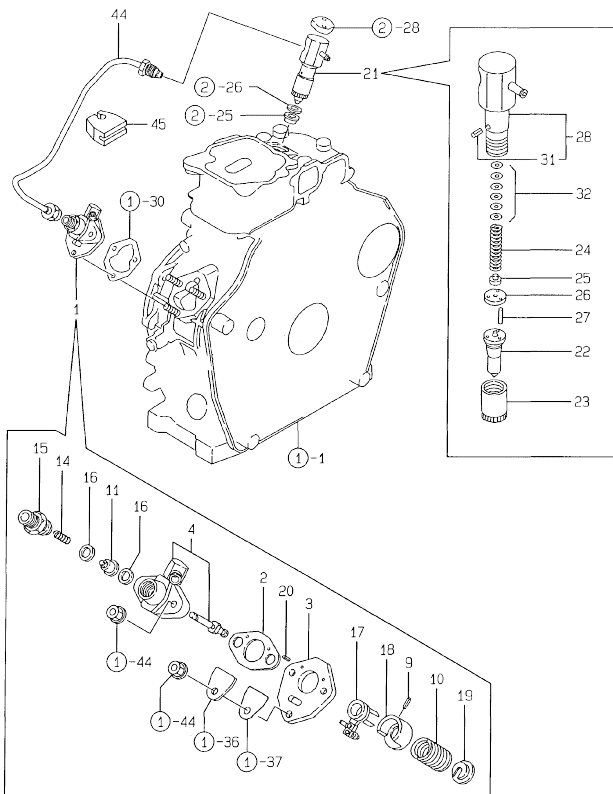
No.	Lev.	Parts No.	Description	Q'ty						I	R
				(A)	(B)	(C)	(D)	(E)	(F)		
26B	3	114870-76580	SCREW (A=EZZZZZ) (B=EZZZZZ) (C=EZZZZZ) (D=EZZZZZ) (E=EZZZZZ) (F=EZZZZZ)	1	1	1	1	1	1	W	
				1	1	1	1	1	1		
27	2	114660-76591	PULLEY, STARTER (A=EZZZZZ) (B=EZZZZZ) (C=EZZZZZ) (D=EZZZZZ) (E=EZZZZZ) (F=EZZZZZ)	1	1	1	1	1	1	S	
				1	1	1	1	1	1		
27-1	2	114660-76592	PULLEY, STARTER (A=EZZZZZ) (B=EZZZZZ) (C=EZZZZZ) (D=EZZZZZ) (E=EZZZZZ) (F=EZZZZZ)	1	1	1	1	1	1	S	
28	1	26106-060082	BOLT, M6X 8 PLATED	4	4	4	4	4	4		
29	1	26106-060122	BOLT, M6X 12 PLATED	3	3	3	3	3	3		

Remarks
 (1) Interchangeable by simultaneous replacement with Ref.12-1 and Ref.27-1

N:Old ^{YES}/_{NO} New, Q:Old ^{YES}/_{NO} New, R:Old ^{YES}/_{NO} New, S:Old ^{YES}/_{NO} New, W:Add, Z:Discontinued, F:Interchangeable by set, K:Q'ty Change
 Copyright (C) YANMAR CO., LTD. All Rights Reserved.

Fig.8. FUEL INJECTION PUMP

8.FUEL INJECTION PUMP

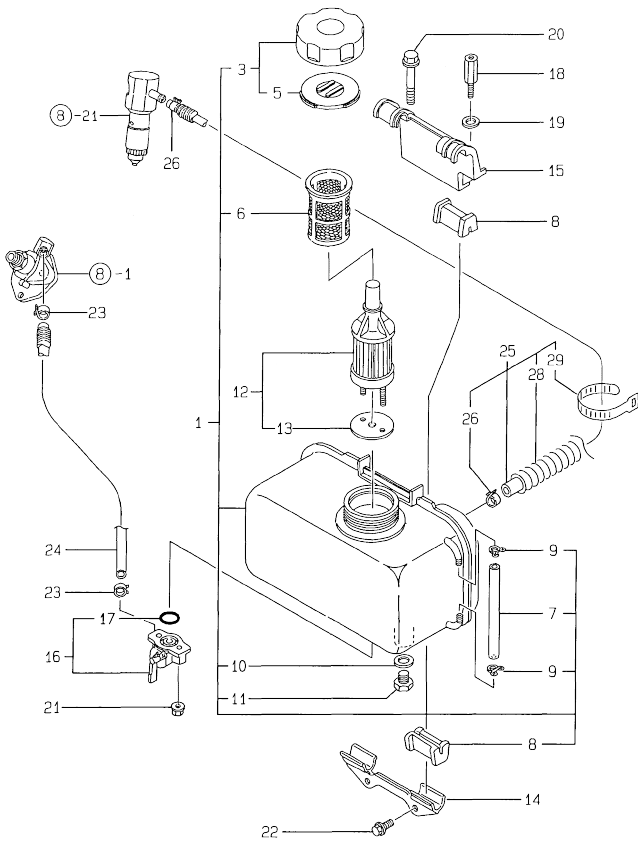


Remarks
(M) MISPRINT.

No.	Lev.	Parts No.	Description	Qty						I	R
				(A)	(B)	(C)	(D)	(E)	(F)		
1	1	714970-51700	PUMP ASSY, INJECTION	1	1	1	1	1	1		
1-1	1	714656-51100	PUMP ASSY, INJECTION	1	1	1	1	1	1		M
2	2	105546-51020	GASKET	1	1	1	1	1	1		
3	2	114250-51080	PLATE	1	1	1	1	1	1		
4	2	114970-51100	BODY ASSY, PUMP	1	1	1	1	1	1		
9	2	22351-030008	PIN, SPRING 3.0X 8	1	1	1	1	1	1		
10	2	114250-51160	SPRING, PLUNGER	1	1	1	1	1	1		
11	2	114650-51300	VALVE ASSY, DELIVERY	1	1	1	1	1	1		
14	2	105546-51330	SPRING, DELIVERY	1	1	1	1	1	1		
15	2	114250-51340	HOLDER, DELIVERY	1	1	1	1	1	1		
16	2	124550-51350	GASKET, DELIVERY	2	2	2	2	2	2		
17	2	114250-51600	LEVER ASSY, CONTROL	1	1	1	1	1	1		
18	2	114250-51640	SEAT, SPRING A	1	1	1	1	1	1		
19	2	114250-51650	SEAT, SPRING B	1	1	1	1	1	1		
20	2	22351-020006	PIN, SPRING 2.0X 6	2	2	2	2	2	2		
21	1	714651-53100	VALVE ASSY, INJECTION	1	1	1	1	1	1		
22	1	114651-53000	VALVE ASSY, INJECTION	1	1	1	1	1	1		
23	2	119593-53080	NUT, NOZZLE	1	1	1	1	1	1		
24	2	114250-53120	SPRING, NOZZLE	1	1	1	1	1	1		
25	2	119593-53130	SEAT, SPRING	1	1	1	1	1	1		
26	2	114775-53140	SPACER, VALVE STOP	1	1	1	1	1	1		
27	2	114775-53210	PIN	2	2	2	2	2	2		
28	2	114775-53100	HOLDER ASSY, NOZZLE	1	1	1	1	1	1		
31	3	114775-53330	PIN	1	1	1	1	1	1		
32	2	114250-53400	SHIM SET	1	1	1	1	1	1		
44	1	114651-59801	PIPE ASSY, INJECTION	1	1	1	1	1	1		
45	1	114650-59850	SUPPORT	1	1	1	1	1	1		

Fig.9. FUEL TANK & FUEL LINE

9. FUEL TANK & FUEL LINE



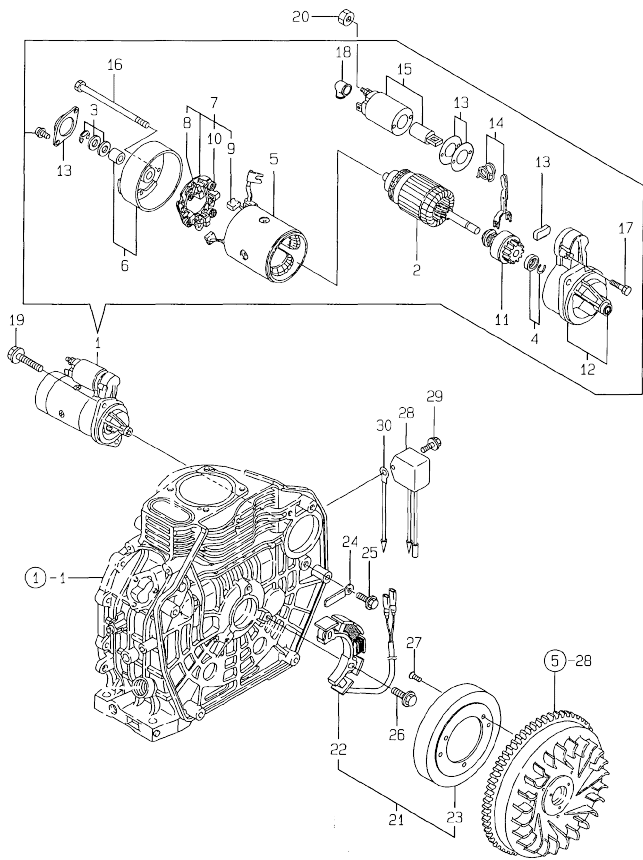
No.	Lev.	Parts No.	Description	Q'ty						I	R
				(A)	(B)	(C)	(D)	(E)	(F)		
1	1	714650-55130	TANK ASSY, FUEL	1	1	1	1	1	1		
3	2	114288-55040	CAP ASSY	1	1	1	1	1	1		
5	3	114288-55080	VALVE	1	1	1	1	1	1		
6	2	114250-55100	FILTER, FUEL	1	1	1	1	1	1		
7	2	114650-55150	GAUGE, LEVEL	1	1	1	1	1	1		
8	2	114250-55201	DAMPER, FUEL TANK	4	4	4	4	4	4		
9	2	103854-55220	RETAINER	2	2	2	2	2	2		
10	2	23414-080000	GASKET, 8X1.0	1	1	1	1	1	1		
11	2	105300-55080	PLUG, 8	1	1	1	1	1	1		
12	1	114250-55121	FILTER ASSY, FUEL	1	1	1	1	1	1		
13	2	114250-55130	GASKET	1	1	1	1	1	1		
14	1	114299-55210	STAY, FUEL TANK	1	1	1	1	1	1		
15	1	114699-55230	STAY, FUEL TANK	1	1	1	1	1	1		
16	1	114250-55300	COCK ASSY, FUEL	1	1	1	1	1	1		
17	2	24341-000150	O-RING, 1AS15.0	1	1	1	1	1	1		
18	1	114650-55810	BOLT	1	1	1	1	1	1		
19	1	22117-080000	WASHER, 8	1	1	1	1	1	1		
20	1	26106-080452	BOLT, M8X 45 PLATED	1	1	1	1	1	1		
21	1	26366-060002	NUT, M6	2	2	2	2	2	2		
22	1	26476-060142	SCREW, TAPPING M6X14	2	2	2	2	2	2		
23	1	106990-44660	CLIP, HOSE 12.5	2	2	2	2	2	2		
24	1	114250-59051	PIPE, FUEL L=46	1	1	1	1	1	1		
25	1	114652-59300	PIPE, FUEL RETURN	1	1	1	1	1	1		
26	2	124722-59050	CLIP, HOSE 9	2	2	2	2	2	2		
28	2	114652-59310	TUBE, PROTECT	1	1	1	1	1	1		
29	2	121750-59890	BAND, 140	1	1	1	1	1	1		

N:Old $\frac{New}{Old}$ New, Q:Old $\frac{New}{Old}$ New, R:Old $\frac{New}{Old}$ New, S:Old $\frac{New}{Old}$ New, W:Add, Z:Discontinued, F:Interchangeable by set, K:Q'ty Change
 Copyright (C) YANMAR CO., LTD. All Rights Reserved.

OCR10-M51600

Fig.10. STARTING MOTOR & DYNAMO

10.STARTING MOTOR & DYNAMO

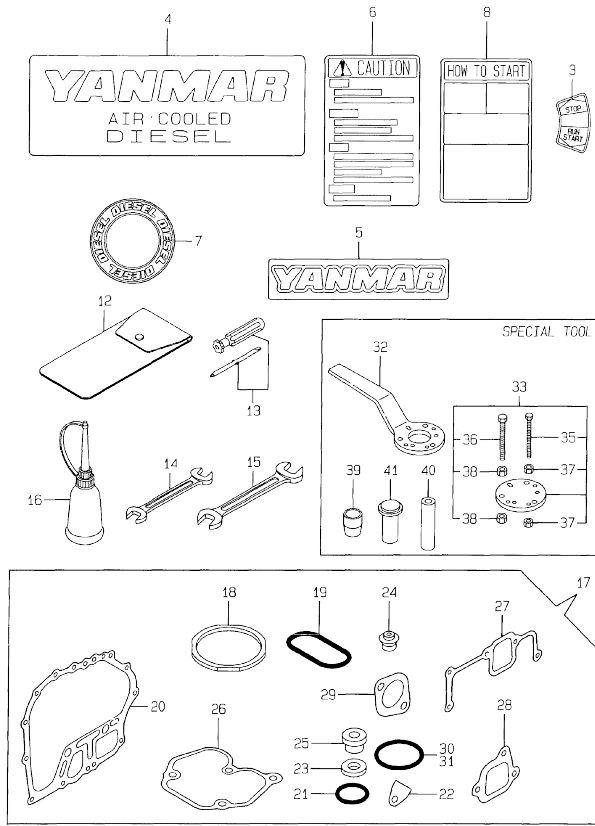


(A)=L100EE-D
(B)=L100EE-DE
(C)=L100EE-DG
(D)=L100EE-DEG
(E)=L100EE-DP
(F)=L100EE-DEP

No.	Lev.	Parts No.	Description	Qty						I	R
				(A)	(B)	(C)	(D)	(E)	(F)		
1	1	114362-77011	STARTER(HITACHI 12V	1	1	1	1				
2	2	114381-77110	ARMATURE	1	1	1	1				
3	2	X2114811000	WASHER KIT, THRUST	1	1	1	1				
4	2	X2114715500	STOPPER SET, PINION	1	1	1	1				
5	2	114381-77130	COIL ASSY, FIELD	1	1	1	1				
6	2	114381-77140	COVER, REAR	1	1	1	1				
7	2	114371-77160	HOLDER ASSY, BRUSH	1	1	1	1				
8	3	114371-79040	BRUSH (-)	2	2	2	2				
9	3	114371-79050	BRUSH (+)	1	1	1	1				
10	3	114371-79060	SPRING, BRUSH	4	4	4	4				
11	2	X2114455080	PINION ASSY	1	1	1	1				
12	2	114381-77150	HOUSING ASSY, GEAR	1	1	1	1				
13	2	114371-77170	COVER KIT, DUST	1	1	1	1				
14	2	X2114560130	LEVER KIT, SHIFT	1	1	1	1				
15	2	X2114275010	SWITCH ASSY, MAGNET	1	1	1	1				
16	2	X2114680050	BOLT, THROUGH	2	2	2	2				
17	2	114371-79070	BOLT M 6X 37	2	2	2	2				
18	2	X2114274200	COVER, TERMINAL	1	1	1	1				
19	1	26106-100302	BOLT, M10X 30 PLATED	2	2	2	2				
20	1	26716-080002	NUT, M8	1	1	1	1				
21	1	114351-78251	DYNAMO ASSY	1	1	1	1				
22	2	114351-78751	STATOR ASSY	1	1	1	1				
23	2	114351-78761	WHEEL, DYNAMO	1	1	1	1				
24	1	160710-78710	CLAMP, CORD	1	1	1	1				
25	1	26106-060122	BOLT, M6X 12 PLATED	1	1	1	1				
26	1	26476-060202	SCREW, TAPPING M6X20	3	3	3	3				
27	1	26577-060142	SCREW M 6X 14	3	3	3	3				
28	1	160970-77350	RECTIFIER, ZR2117	1	1	1	1				
29	1	26106-060122	BOLT, M6X 12 PLATED	1	1	1	1				
30	1	183350-77400	WIRE, LEAD	1	1	1	1				

Fig.11. TOOL,LABEL & GASKET SET

11. TOOL, LABEL & GASKET SET



No.	Lev.	Parts No.	Description	Qty						I	R
				(A)	(B)	(C)	(D)	(E)	(F)		
3	1	183250-07230	LABEL, OPERATION	1	1	1	1	1	1		
4	1	114250-07090	LABEL, AIR COOLED	1	1	1	1	1	1		
5	1	114250-07111	LABEL, YANMAR	1	1	1	1	1	1		
6	1	114268-07240	LABEL, CAUTION	1	1	1	1	1	1		
7	1	114261-07350	LABEL	1	1	1	1	1	1		
8	1	114268-07350	LABEL, HOW TO START	1	1	1	1	1	1		
12	1	114250-92600	BAG, TOOL	1	1	1	1	1	1		
13	1	160330-92730	DRIVE, SCREW	1	1	1	1	1	1		
14	1	28110-100120	SPANNER, 10X12	1	1	1	1	1	1		
15	1	28110-140170	SPANNER, 14X17	1	1	1	1	1	1		
16	1	28210-000150	OILER	1	1	1	1	1	1		
17	1	714651-92600	GASKET SET	1	1	1	1	1	1		1
18	2	114651-01330	GASKET SET, HEAD	1	1	1	1	1	1		
19	2	114650-01380	O-RING	1	1	1	1	1	1		
20	2	114650-01412	GASKET, CRANK CASE	1	1	1	1	1	1		
21	2	114299-01950	O-RING, 18	2	2	2	2	2	2		
22	2	114250-01841	GASKET	1	1	1	1	1	1		
23	2	22190-160002	WASHER, SEAL 16	2	2	2	2	2	2		
24	2	114650-11340	SEAL, VALVE STEM	2	2	2	2	2	2		
25	2	114771-11461	GASKET, NOZZLE	1	1	1	1	1	1		
26	2	114651-11310	GASKET, BONNET	1	1	1	1	1	1		
27	2	114650-12301	GASKET	1	1	1	1	1	1		
28	2	114650-12211	GASKET, AIR CLEANER	1	1	1	1	1	1		
29	2	114650-13201	GASKET, MUFFLER	1	1	1	1	1	1		
30	2	103338-32570	O-RING	1	1	1	1	1	1		
31	2	24341-000224	O-RING, 1AS22.4	1	1	1	1	1	1		
32	1	114250-92101	F.W. LOCKING HANDLE	1	1	1	1	1	1		1
33	1	114250-92130	REMOVER, FLYWHEEL	1	1	1	1	1	1		1
35	2	26116-060454	BOLT M 6X 45 PLATED	4	4	4	4	4	4		1
36	2	26116-080454	BOLT, M8X 45 PLATED	3	3	3	3	3	3		1
37	2	26716-060002	NUT, M6	8	8	8	8	8	8		1
38	2	26716-080002	NUT, M8	6	6	6	6	6	6		1
39	1	114668-92300	GUIDE, OIL SEAL	1	1	1	1	1	1		1
40	1	114650-92310	INSTALLING TOOL	1	1	1	1	1	1		1
41	1	114650-92350	INSTALLING TOOL	1	1	1	1	1	1		1

Remarks
(1) OPTIONAL PARTS.

Parts No. Index

Parts No.	Fig. No.	Ref. No.
102100-67080	6	57
103338-32570	6	7
	11	30
103854-55220	9	9
104200-66820	6	36
104200-66830	6	37
104200-66850	6	38
104211-11370	2	24
105025-01220	1	8
105300-23200	5	47
105300-55080	9	11
105425-01690	1	26
105546-51020	8	2
105546-51330	8	14
106990-44660	9	23
114250-01800	1	30
114250-01830	1	36
114250-01841	1	37
	11	22
114250-03591	2	36
114250-03640	2	39
114250-07090	11	4
114250-07111	11	5
114250-11240	2	16
	2	20
114250-11901	2	28
114250-12300	3	11
114250-32070	6	6
114250-35110	6	10
114250-35150	1	38
114250-45301	7	7
114250-45310	7	8
114250-51080	8	3
114250-51160	8	10
114250-51340	8	15
114250-51600	8	17
114250-51640	8	18
114250-51650	8	19
114250-53120	8	24
114250-53400	8	32
114250-55100	9	6
114250-55121	9	12
114250-55130	9	13
114250-55201	9	8
114250-55300	9	16
114250-59051	9	24
114250-66050	6	53
114250-66200	6	44
114250-66440	6	35
		56

Parts No.	Fig. No.	Ref. No.
114250-92101	11	32
114250-92130	11	33
114250-92600	11	12
114252-12550	3	10
114252-12560	3	9
114261-07350	11	7
114268-07240	11	6
114268-07350	11	8
114270-01600	1	40
114270-61520	6	27
114288-55040	9	3
114288-55080	9	5
114299-01950	1	29
	11	21
114299-02030	1	46
114299-55210	9	14
114299-66100	6	55
114350-01700	1	6
114350-45320	7	2
114350-45340	7	3
114351-78251	10	21
114351-78751	10	22
114351-78761	10	23
114362-77011	10	1
114370-45351	7	10
114371-77160	10	7
114371-77170	10	13
114371-79040	10	8
114371-79050	10	9
114371-79060	10	10
114371-79070	10	17
114381-77110	10	2
114381-77130	10	5
114381-77140	10	6
114381-77150	10	12
114650-01230	1	9
114650-01240	1	10
114650-01250	1	11
114650-01260	1	12
114650-01380	1	19
	11	19
114650-01412	1	20
	11	20
114650-02100	1	24
114650-02150	1	47
114650-02200	1	53
114650-02210	1	54
114650-11121	2	8
114650-11340	2	23
	11	24

Parts No.	Fig. No.	Ref. No.
114650-11600	2	27
114650-12211	3	1
	11	28
114650-12301	3	13
	11	27
114650-12520	3	4
114650-12530	3	5
114650-12590	3	6
114650-13201	4	1
	11	29
114650-14200	5	6
114650-14401	5	8
114650-21551	5	25
114650-32010	6	1
114650-45201	7	1
114650-45330	7	9
114650-51300	8	11
114650-55150	9	7
114650-55810	9	18
114650-59850	8	45
114650-76520	7	13
114650-76540	7	16
114650-76631	7	23 -1
114650-92310	11	40
114650-92350	11	41
114651-01330	1	13
	11	18
114651-11020	2	1
114651-11100	2	6
114651-11110	2	7
114651-11250	2	12
114651-11260	2	13
114651-11310	2	33
	11	26
114651-11650	2	14
114651-11660	2	18
114651-11950	2	34
114651-53000	8	22
114651-59801	8	44
114651-66550	6	45
114652-59300	9	25
114652-59310	9	28
114658-13800	4	10
114660-01471	1	21
114660-21402	5	26
114660-76051	7	11
114660-76052	7	11 -1
114660-76250	7	12
114660-76251	7	12 -1
114660-76530	7	14

Parts No.	Fig. No.	Ref. No.
114660-76531	7	14 -1
114660-76591	7	27
114660-76592	7	27 -1
114662-21593	5	28
114662-21601	5	31
114668-45102	7	6
114668-92300	11	39
114699-01760	1	27
114699-12020	3	12
114699-22300	5	41
114699-55230	9	15
114770-61190	6	30
114770-61600	6	28
114770-61610	6	29
114771-11461	2	25
	11	25
114771-11470	2	26
114771-14260	5	7
114771-61700	6	45 -1
114771-61810	6	49 A
114771-61830	6	49 B
114771-61890	6	62
114771-61940	6	49 C
114771-61960	6	64
114771-66600	6	49 D
114771-66690	6	49 E
114775-53100	8	28
114775-53140	8	26
114775-53210	8	27
114775-53330	8	31
114870-76530	7	15 -1
114870-76540	7	16 -1
114870-76560	7	18 -1
114870-76570	7	19 -1
114870-76580	7	26 B
114870-76620	7	22 -1
114880-76520	7	13 -1
114880-76550	7	26 A
114970-13550	4	2
114970-13560	4	4
114970-13700	4	5
114970-13710	4	6
114970-51100	8	4
114970-66010	6	43
119593-53080	8	23
119593-53130	8	25
119620-11180	2	9
121750-59890	9	29
122710-01220	5	12
124060-23100	5	46

Parts No. Index

Parts No.	Fig. No.	Ref. No.
124550-51350	8	16
124722-59050	9	26
129792-22400	5	42
135210-61090	6	51
160260-01580	4	3
160330-92730	11	13
160710-78710	10	24
160725-78350	6	58
160842-21150	5	57
160842-21250	5	58
160842-21260	5	59
160910-76530	7	15
160910-76550	7	17
160910-76560	7	18
160910-76570	7	19
160910-76580	7	20
160910-76620	7	22
160910-76630	7	23
160910-76650	7	24
160970-77350	10	28
183250-07230	11	3
183250-66050	6	32
183250-66070	6	33
183250-66100	6	34
183250-66500	6	31
183350-77400	10	30
183720-55210	7	4
22117-080000	9	19
22190-160002	1	45
	11	23
22217-060000	7	25
22242-000150	2	22
22312-030160	2	41
	6	8
22312-040080	1	52
22322-030200	6	19
		20
22351-020006	8	20
22351-030008	8	9
22351-040008	2	29
22451-060000	6	52
22512-050140	5	32
23414-080000	9	10
23876-010000	1	39
24101-062034	5	55
24101-063034	5	56
24162-152112	1	48
24311-000180	6	65
24341-000150	9	17
24341-000224	6	12

Parts No.	Fig. No.	Ref. No.
24341-000224	11	31
24423-355008	1	49
		50
26106-060082	7	28
26106-060122	7	29
	10	25
		29
26106-060142	6	59
26106-060162	6	13
26106-060202	7	5
26106-060252	3	14
26106-060452	6	41
26106-060702	2	44
26106-080122	1	51
26106-080182	4	7
26106-080352	1	41
26106-080452	9	20
26106-080552	2	30
26106-100122	1	7
26106-100302	10	19
26116-060454	11	35
26116-080454	11	36
26117-040088	6	60
26216-080182	4	8
26226-060142	3	15
26226-060182	1	42
26226-060222	1	43
26226-060502	2	31
26226-060752	3	16
26347-060002	6	61
26366-060002	1	44
	2	32
	9	21
26366-080002	4	9
26476-060142	6	9
		42
	9	22
26476-060202	10	26
26554-060182	4	11
26577-060142	10	27
26696-100002	6	39
		50
26716-060002	11	37
26716-080002	10	20
	11	38
26717-060002	7	26
26757-060002	6	40
26856-060002	2	17
		21
27310-070001	2	10

Parts No.	Fig. No.	Ref. No.
28110-100120	11	14
28110-140170	11	15
28210-000150	11	16
714650-12560	3	2
714650-23600	5	48
714650-23610	5	60
714650-23620	5	62
714650-23700	5	43
714650-55130	9	1
714650-61500	6	14
714651-53100	8	21
714651-92600	11	17
714652-22720	5	33
714655-01560	1	1 -1
714656-51100	8	1 -1
714657-21700	5	13
714658-21700	5	14
714659-21700	5	15
714685-61700	6	21
714689-14580	5	1
714970-01560	1	1
714970-22500	5	35
714970-28511	5	50
714970-51700	8	1
X2114274200	10	18
X2114275010	10	15
X2114455080	10	11
X2114560130	10	14
X2114680050	10	16
X2114715500	10	4
X2114811000	10	3

Parts No.	Fig. No.	Ref. No.
-----------	----------	----------