

0CD10-M59800EN

PREFACE

1. This Parts Catalog is the 1st edition of L40ADRM Diesel Engine for MIKASA SANGYO.

Pub. No. : 000Y00D5980
Published : November, 1996

2. Model name

Engine model	Vehicle		Vehicle made by
	Products	Model name	
L40ADRM	AIR COOLED	—	MIKASA SANGYO

Directions for the Parts Catalog.

1. The parts stipulated in this Parts Catalog are not necessarily standard equipped parts.
2. Parts may change without prior notice.
3. The following is an example of the Parts Catalog format.

REF.	LEV.	PARTS NO.	DESCRIPTION	Q'TY						I	R
				(A)	(B)	(C)	(D)	(E)	(F)		
1	1	729595-51390	FUEL INJECTION PUMP	1	1	1	1	1			1
1-1	1	729595-51391	FUEL INJECTION PUMP	1	1	1	1	1		N	1
		(A=E00185) (B=E00200)									
3	2	26022-060162	SCREW M 6X 16	9	9	9	9	9			
3-1	2	26022-060162	SCREW M 6X 16	4	4	4	4	4		K	
		(A=E00156) (B=E00156) (C=E00156) (D=E00156) (E=E00156)									
4	2	129470-51040	CAMSHAFT	1	1	1	1	1			
5	2	122710-51050	BEARING, ROLLER	2	2	2	2	2			
6	2	129470-51060	RETAINER	1	1	1	1	1			

Remarks
(1) BOOST COMPEMSATOR TYPE. OPTIONAL PART, TO E00155,(4JH-DT, 4JH-DTZ

① Ref. No.

The Ref. No. listed may not be in accordance with the illustration Ref. No.

(Ex.) Illustration No.

List Ref No.

1 1 (Before change) → 1-1 (After change)

For interchangeable symbols N, R and K, illustrations for new parts may be abbreviated.

② Lev. (Level)

Level indication

The numbers below indicate the level of relativity towards the main part.

1 ---- Main parts (Assembly parts)

2 ---- Sub component included in " 1 ".

3 ---- Sub component included in " 2 ".

Note) Parts that are not for sale are partially illustrated but not listed.

③ Interchangeability Mark

When a part change takes place, one of the following interchangeability symbols is indicated beside the part.

Symbol	Interchangeability	Contents note
N	Old $\begin{matrix} \leftarrow \text{Yes} \\ \text{No} \rightarrow \end{matrix}$ New	New Part is interchangeable for Old Part but Old Part is not interchangeable for New Part.
Q	Old $\begin{matrix} \leftarrow \text{No} \\ \text{Yes} \rightarrow \end{matrix}$ New	New Part is not interchangeable for Old Part but Old Part is interchangeable for New Part.
R	Old $\begin{matrix} \leftarrow \text{Yes} \\ \text{Yes} \rightarrow \end{matrix}$ New	New/ Old Parts are both interchangeable.
S	Old $\begin{matrix} \leftarrow \text{No} \\ \text{No} \rightarrow \end{matrix}$ New	New/ Old Parts are both not interchangeable.
W		Part newly added.
Z		Part discontinued.
F		Not interchangeable by a single part but interchangeable together with related parts.
K		Changes only for used parts quantities.

④ Effective Machine No.

When a part changes, the effective Machine No. will be indicated in the (A)-(F) column.

Product Symbol	Product No.	Product Symbol	Product No.
C	Clutch No. Compressor No.	F	Machine No. (Agricultural Equip.)
D	Drive No.	M	Machine No.
E	Engine No.		

Note 1) A date may follow the symbol. (Ex.) 1996.01

Note 2) "XXXXX" and "ZZZZZ" are for parts that could not be predicted or for engine models that could not be identified.

Note 3) (A=E00185) is the E (Engine Serial Number) for the column (A) model (in this case 4JH-DT) after the parts design change.

⑤ Remarks Mark

Figures or alphabets (symbols) are entered in the remarks column.

The comments (remarks) on parts that are indicated at the bottom of the illustration are the same symbols as those stated above.

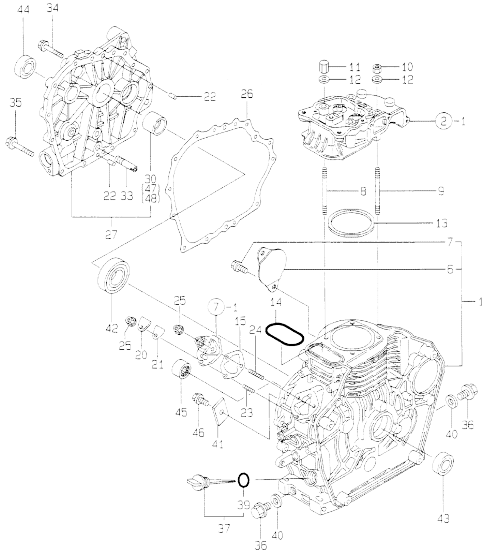
Contents

Fig. No.	Fig. Name	Fig. No.	Fig. Name
ENGINE SECTION			
1.	CYLINDER BLOCK		
2.	CYLINDER HEAD & BONNET		
3.	AIR CLEANER & MUFFLER		
4.	CRANKSHAFT,PISTON & CAMSHAFT		
5.	LUB.OIL PUMP & GOVERNOR		
6.	COOLING & STARTING DEVICE		
7.	FUEL INJECTION PUMP		
8.	LOOSE PARTS		
9.	TOOL,LABEL & GASKET SET		

OCD10-M59800

Fig.1. CYLINDER BLOCK

Y0039850
L404DRM



No.	Lev.	Parts No.	Description	Q'ty						I	R
				(A)	(B)	(C)	(D)	(E)	(F)		
1	1	714270-01560	BLOCK ASSY, CYLINDER	1							
6	2	114350-01700	COVER	1							
7	2	26106-100122	BOLT, M10X 12 PLATED	2							
8	1	114250-01200	BOLT, HEAD	2							
9	1	114250-01210	BOLT, HEAD	2							
10	1	114250-01220	NUT, CYLINDER HEAD	2							
11	1	114250-01250	NUT, CAP	2							
12	1	124950-01250	WASHER	4							
13	1	114250-01340	GASKET, HEAD	1							G
14	1	114250-01380	O-RING	1							G
15	1	114250-01800	SHIM SET	1							
20	1	114250-01830	COVER	1							
21	1	114250-01841	GASKET	1							G
22	1	114270-01600	PIN, M8X12	2							
23	1	26226-060182	STUD, M6X 18	1							
24	1	26226-060222	STUD, M6X 22	2							
25	1	26366-060002	NUT, M6	3							
26	1	114250-01412	GASKET, CRANK CASE	1							G
27	1	114284-01451	COVER, CRANK CASE	1							
30	2	114250-02100	BEARING, MAIN	1							1
33	1	114250-35150	PIPE, OIL INLET	1							
34	1	26106-060252	BOLT, M6X 25 PLATED	14							
35	1	26106-080352	BOLT, M8X 35 PLATED	1							
36	1	105425-01690	PLUG, 16	2							
37	1	160710-01760	CAP ASSY, L82	1							
39	2	24311-000180	O-RING, 1AP18.0	1							
40	1	22190-160002	WASHER, SEAL 16	2							G
41	1	114250-02030	RETAINER, BEARING	1							
42	1	114250-02113	BEARING, HR6306G3C3	1							
43	1	160110-02220	SEAL, OIL	1							
44	1	160210-02220	SEAL, 25X41.2X8	1							
45	1	24162-152112	BEARING, 152112	1							
46	1	26106-080122	BOLT, M8X 12 PLATED	1							
47	1	114250-02200	BEARING, 0.25 US	1							2
48	1	114250-02210	BEARING, 0.50 US	1							2

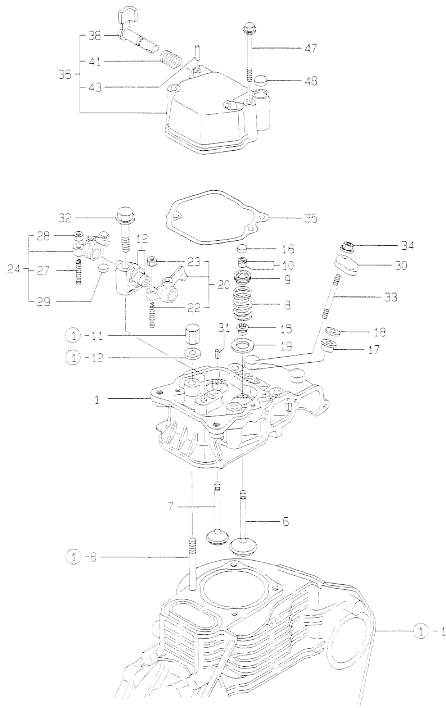
Remarks

- (1) REPAIR PART.
- (2) UNDER-SIZED PART.
- (G) THESE PARTS ARE SOLD BY FIG.9, REF.NO.6.

OCD10-M59800

Fig.2. CYLINDER HEAD & BONNET

Y00079580
L4042FM



No.	Lev.	Parts No.	Description	Q'ty						I	R
				(A)	(B)	(C)	(D)	(E)	(F)		
1	1	114770-11020	HEAD ASSY, CYLINDER	1							
6	1	114250-11101	VALVE, INTAKE	1							
7	1	114250-11113	VALVE, EXHAUST	1							
8	1	114250-11120	SPRING, VALVE	2							
9	1	114250-11180	RETAINER, SPRING	2							
10	1	714250-11570	COTTER ASSY	2							
12	1	114250-11290	SUPPORT, ROCKER ARM	1							
15	1	114250-11340	SEAL, VALVE STEM	2							G
16	1	119260-11370	CAP, VALVE	1							
17	1	114250-11460	GASKET, NOZZLE	1							G
18	1	114350-11470	SPACER, NOZZLE	1							
19	1	114250-11600	WASHER	2							
20	1	114250-11651	ARM, ROCKER	1							
22	2	114250-11240	SCREW, VALVE ADJUST	1							
23	2	26756-060002	NUT, LOCK M6	1							
24	1	714270-11660	ARM ASSY, ROCKER	1							
27	2	114250-11240	SCREW, VALVE ADJUST	1							
28	2	26756-060002	NUT, LOCK M6	1							
29	2	119260-11370	CAP, VALVE	1							
30	1	114250-11900	RETAINER, NOZZLE	1							
31	1	22351-040008	PIN, SPRING 4.0X 8	1							
32	1	26106-080452	BOLT, M8X 45 PLATED	1							
33	1	26226-060502	STUD, M6X 50	2							
34	1	26366-060002	NUT, M6	2							
35	1	114250-11311	GASKET, BONNET	1							G
36	1	114288-11960	BONNET ASSY, HEAD	1							
38	2	114288-03580	LEVER ASSY	1							
41	2	114288-03640	SPRING, DECOMPRESSION	1							
43	2	22312-030160	PIN, PARALLEL M3X16	1							
47	1	26106-060552	BOLT, M6X 55 PLATED	2							
48	1	129100-61850	PLUG, 12	1							

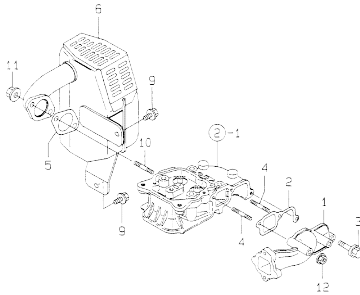
Remarks
(G) THESE PARTS ARE SOLD BY FIG.9,
REF.NO.6.

N:Old $\frac{Y00079580}{100}$ New, Q:Old $\frac{H00000000}{100}$ New, R:Old $\frac{Y00079580}{100}$ New, S:Old $\frac{H00000000}{100}$ New, W:Add, Z:Discontinued, F:Interchangeable by set, K:Q'ty Change
Copyright (C) YANMAR CO., LTD. All Rights Reserved.

OCD10-M59800

Fig.3. AIR CLEANER & MUFFLER

Y0005380
L40ADR



No.	Lev.	Parts No.	Description	Q'ty						I	R
				(A)	(B)	(C)	(D)	(E)	(F)		
1	1	114284-12010	PIPE, AIR INTAKE	1							
2	1	114250-12201	GASKET	1							G
3	1	26106-060252	BOLT, M6X 25 PLATED	1							
4	1	26226-060552	STUD, M6X 55	2							
5	1	114250-13201	GASKET, MUFFLER	1							G
6	1	114284-13500	MUFFLER ASSY	1							
9	1	26106-060122	BOLT, M6X 12 PLATED	2							
10	1	26216-080182	STUD, M8X 18	2							
11	1	26366-080002	NUT, M8	2							
12	1	26366-060002	NUT, M6	2							

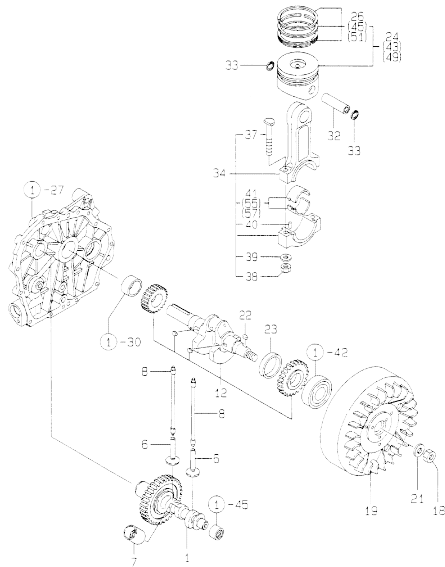
Remarks
(G) THESE PARTS ARE SOLD BY FIG.9,
REF.NO.6.

N:Old $\frac{Y0005380}{L40ADR}$ New, Q:Old $\frac{H0}{V00}$ New, R:Old $\frac{Y0005380}{L40ADR}$ New, S:Old $\frac{H0}{V00}$ New, W:Add, Z:Discontinued, F:Interchangeable by set, K:Q'ty Change
Copyright (C) YANMAR CO., LTD. All Rights Reserved.

OCD10-M59800

Fig.4. CRANKSHAFT,PISTON & CAMSHAFT

Y0029380
L40ADR



No.	Lev.	Parts No.	Description	Q'ty						I	R
				(A)	(B)	(C)	(D)	(E)	(F)		
1	1	714780-14580	CAMSHAFT ASSY	1							
1-1	1	714780-14581	CAMSHAFT ASSY, D	1							R
(A=EZZZZZ)											
6	1	114250-14200	TAPPET		2						
7	1	114250-14260	TAPPET		1						
8	1	114250-14450	ROD ASSY, PUSH		2						
12	1	714284-21710	CRANKSHAFT ASSY		1						
12-1	1	714284-21711	CRANKSHAFT ASSY		1						R
(A=EZZZZZ)											
18	1	103854-01221	NUT, CYLINDER HEAD		1						
19	1	114288-21401	FLYWHEEL		1						
21	1	114250-21550	WASHER		1						
22	1	22512-040120	KEY, 4X 12		1						
23	1	183250-21350	SPACER, CRANKSHAFT		1						
24	1	714280-22720	PISTON ASSY, D		1						
26	2	714250-22502	RING SET, PISTON		1						
32	1	114250-22302	PIN, PISTON D=19		1						
33	1	22252-000190	RING, 19		2						
34	1	714250-23703	ROD ASSY, CONNECTING		1						
37	2	114250-23200	BOLT, CONNECTING ROD		2						
38	2	114250-23220	NUT		2						
39	2	114250-23250	WASHER		2						
40	2	22312-030080	PIN, PARALLEL M3X 8		2						
41	2	714250-23600	BEARING, CRANK PIN		1						
43	1	714280-22620	PISTON ASSY, 0.25 OS		1						1
45	2	714250-22542	RING SET, 0.25 OS		1						1
49	1	714280-22580	PISTON ASSY, 0.50 OS		1						1
51	2	714250-22550	RING SET, 0.50 OS		1						1
55	1	714250-23610	BEARING ASSY, 0.25		1						2
57	1	714250-23620	BEARING, 0.50 US		1						2

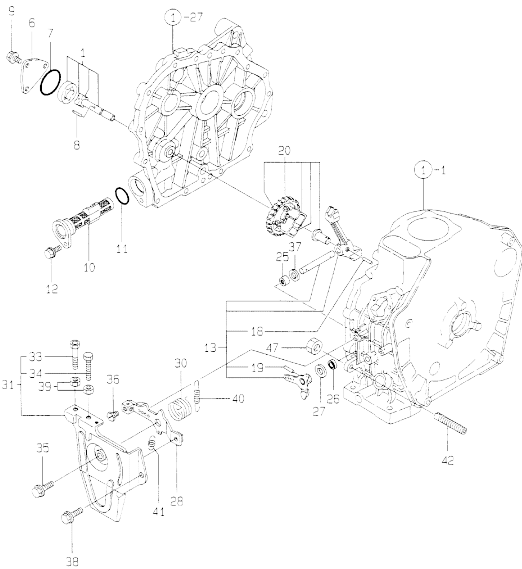
Remarks
 (1) OVER-SIZED PART.
 (2) UNDER-SIZED PART.

N:Old $\frac{100}{100}$ New, Q:Old $\frac{100}{100}$ New, R:Old $\frac{100}{100}$ New, S:Old $\frac{100}{100}$ New, W:Add, Z:Discontinued, F:Interchangeable by set, K:Qty Change
 Copyright (C) YANMAR CO., LTD. All Rights Reserved.

OCD10-M59800

Fig.5. LUB.OIL PUMP & GOVERNOR

Y0009380
L40ADRM



No.	Lev.	Parts No.	Description	Q'ty						I	R
				(A)	(B)	(C)	(D)	(E)	(F)		
1	1	114250-32010	PUMP ASSY, OIL	1							
6	1	114250-32070	COVER	1							
7	1	103338-32570	O-RING	1							G
8	1	22312-030160	PIN, PARALLEL M3X16	1							
9	1	26476-060142	SCREW, TAPPING M6X14	3							
10	1	114250-35070	FILTER, OIL	1							
11	1	24341-000224	O-RING, 1AS22.4	1							G
12	1	26106-060162	BOLT, M6X 16 PLATED	1							
13	1	714250-61500	LEVER ASSY, GOVERNOR	1							
18	2	22322-030200	PIN, TAPER 3X20	1							
19	2	22322-030200	PIN, TAPER 3X20	1							
20	1	714770-61700	GOVERNOR ASSY	1							
25	1	114270-61520	BEARING, NEEDLE 8	2							
26	1	114770-61600	SEAL, OIL	1							
27	1	114770-61610	WASHER, THRUST	1							
28	1	114250-66050	HANDLE, REGULATOR	1							
30	1	114252-66252	SPRING, RETURN	1							
31	1	114268-66500	BRACKET ASSY, HANDLE	1							
33	2	114250-66440	BOLT, ADJUSTING	1							
34	2	102100-67080	BOLT, ADJUSTING	1							
35	1	26106-060202	BOLT, M6X 20 PLATED	1							
36	1	26117-040088	BOLT M 4X 8 PLATED	1							
37	1	114770-61190	WASHER	1							
38	1	26476-060142	SCREW, TAPPING M6X14	1							
39	1	26757-060002	NUT, LOCK M6	2							
40	1	114770-66010	SPRING, REGULATOR	1							
41	1	114250-66200	SPRING, RETURN	1							
42	1	114250-66550	LIMITER ASSY, FUEL	1							
47	1	26696-100002	NUT, LOCK M10	1							

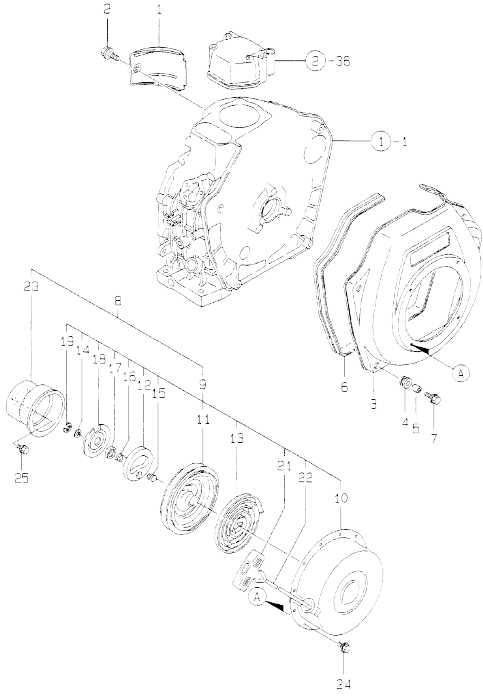
Remarks
(G) THESE PARTS ARE SOLD BY FIG.9,
REF.NO.6.

N:Old $\frac{Y00}{100}$ New, Q:Old $\frac{H0}{100}$ New, R:Old $\frac{Y00}{100}$ New, S:Old $\frac{H0}{100}$ New, W:Add, Z:Discontinued, F:Interchangeable by set, K:Q'ty Change
Copyright (C) YANMAR CO., LTD. All Rights Reserved.

OCD10-M59800

Fig.6. COOLING & STARTING DEVICE

Y0009580
L40ADR



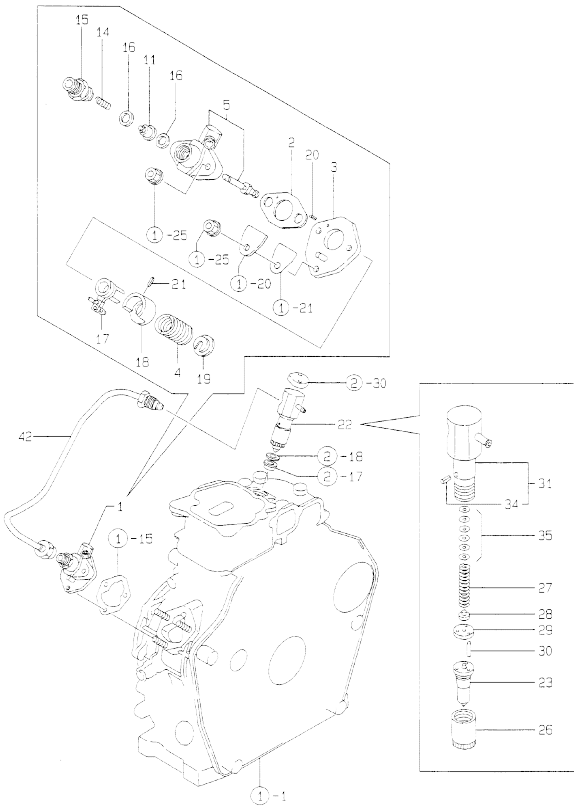
No.	Lev.	Parts No.	Description	Q'ty						I	R
				(A)	(B)	(C)	(D)	(E)	(F)		
1	1	114250-45211	COVER	1							
2	1	26476-060142	SCREW, TAPPING M6X14	1							
3	1	114274-45100	CASE, COOLING FAN	1							
4	1	114250-45301	ABSORBER	4							
5	1	114250-45310	COLLAR	4							
6	1	114250-45330	SEAL, FAN CASE L=875	1							
7	1	114370-45350	BOLT	4							
8	1	114260-76050	STARTER ASSY, RECOIL	1							
9	2	114260-76250	STARTER ASSY, RECOIL	1							
10	3	114260-76520	CASE, STARTER	1							
11	3	160260-76520	REEL	1							
12	3	160260-76530	RATCHET	1							
13	3	160260-76540	SPRING, SPIRAL	1							
14	3	160260-76550	WASHER, THRUST	1							
15	3	160260-76560	SPRING, FRICTION	1							
16	3	160290-76570	SPRING, RETURN	1							
17	3	160260-76580	COVER	1							
18	3	160260-76590	PLATE, FRICTION	1							
19	3	160260-76600	CIRCLIP	1							
21	3	160260-76620	KNOB, STARTER	1							
22	3	160260-76630	ROPE, STARTER	1							
23	2	114250-76590	PULLEY, STARTER	1							
24	1	26106-060082	BOLT, M6X 8 PLATED	4							
25	1	26106-060122	BOLT, M6X 12 PLATED	3							

N:Old $\frac{New}{Old}$ New, Q:Old $\frac{New}{Old}$ New, R:Old $\frac{New}{Old}$ New, S:Old $\frac{New}{Old}$ New, W:Add, Z:Discontinued, F:Interchangeable by set, K:Qty Change
Copyright (C) YANMAR CO., LTD. All Rights Reserved.

OCD10-M59800

Fig.7. FUEL INJECTION PUMP

Y0009980
L404ADM

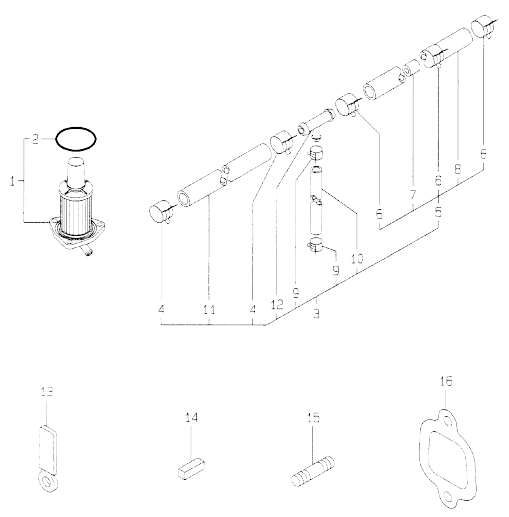


No.	Lev.	Parts No.	Description	Q'ty						I	R
				(A)	(B)	(C)	(D)	(E)	(F)		
1-1	1	714250-51200	PUMP ASSY, INJECTION	1							
1-2	1	714250-51710	PUMP ASSY, INJECTION	1							R
(A)=L404ADM											
2	2	105546-51020	GASKET	1							
3	2	114250-51080	PLATE	1							
4	2	114250-51160	SPRING, PLUNGER	1							
5	2	114250-51200	BODY ASSY, PUMP	1							
11	2	114250-51300	VALVE ASSY, DELIVERY	1							
14	2	105546-51330	SPRING, DELIVERY	1							
15	2	114250-51340	HOLDER, DELIVERY	1							
16	2	124550-51350	GASKET, DELIVERY	2							
17	2	114250-51600	LEVER ASSY, CONTROL	1							
18	2	114250-51640	SEAT, SPRING A	1							
19	2	114250-51650	SEAT, SPRING B	1							
20	2	22351-020006	PIN, SPRING 2.0X 6	2							
21	2	22351-030008	PIN, SPRING 3.0X 8	1							
22	1	714250-53101	VALVE ASSY, INJECTION	1							
23	2	114250-53001	VALVE ASSY, INJECTION	1							
26	2	114250-53080	NUT, NOZZLE D16.95	1							
27	2	114250-53120	SPRING, NOZZLE	1							
28	2	114250-53130	SEAT, SPRING	1							
29	2	114250-53140	PLATE	1							
30	2	114250-53210	PIN	2							
31	2	114250-53300	HOLDER ASSY, NOZZLE	1							
34	3	114250-53331	PIN	1							
35	2	114250-53400	SHIM SET	1							
42	1	114250-59800	PIPE ASSY, INJECTION	1							

OCD10-M59800

Fig.8. LOOSE PARTS

Y0005980
L40ADR



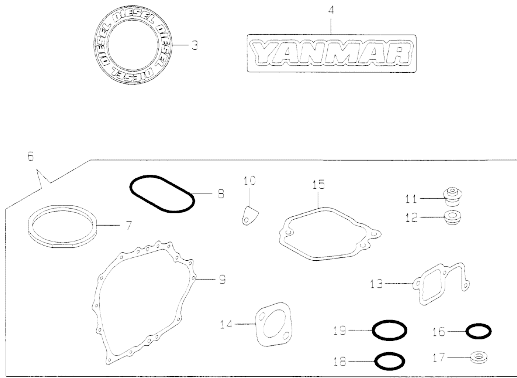
No.	Lev.	Parts No.	Description	Q'ty					
				(A)	(B)	(C)	(D)	(E)	(F)
1	1	183254-55120	FILTER, FUEL	1					
2	2	24341-000450	O-RING, 1AS45.0	1					
3	1	114284-59100	PIPE ASSY, FUEL	1					
4	2	106990-44660	CLIP, HOSE 12.5	2					
5	2	183250-59010	PIPE ASSY, FUEL	1					
6	3	106990-44660	CLIP, HOSE 12.5	3					
7	3	183250-59040	PIECE	1					
8	3	183250-59050	PIPE, FUEL L=134	1					
9	2	124722-59050	CLIP, HOSE 9	2					
10	2	114654-59070	PIPE, FUEL RETURN	1					
11	2	183666-59330	PIPE, DRAIN	1					
12	2	114284-59710	JOINT, 3-WAY	1					
13	1	160710-78710	CLAMP, CORD	1					
14	1	22512-040120	KEY, 4X 12	1					
15	1	26226-100402	STUD, M10X 40	2					
16	1	114284-12200	GASKET	1					

N:Old $\frac{Y00}{100}$ New, Q:Old $\frac{H0}{100}$ New, R:Old $\frac{Y00}{100}$ New, S:Old $\frac{H0}{100}$ New, W:Add, Z:Discontinued, F:Interchangeable by set, K:Qty Change
Copyright (C) YANMAR CO., LTD. All Rights Reserved.

OCD10-M59800

Fig.9. TOOL,LABEL & GASKET SET

Y000F9E0
L40ADR



No.	Lev.	Parts No.	Description	Q'ty						I	R
				(A)	(B)	(C)	(D)	(E)	(F)		
3	1	114261-07350	LABEL, DIESEL	1							
4	1	114250-07111	LABEL, YANMAR	1							
6	1	714250-92602	GASKET SET	1							1
7	2	114250-01340	GASKET, HEAD	1							
8	2	114250-01380	O-RING	1							
9	2	114250-01412	GASKET, CRANK CASE	1							
10	2	114250-01841	GASKET	1							
11	2	114250-11340	SEAL, VALVE STEM	2							
12	2	114250-11460	GASKET, NOZZLE	1							
13	2	114250-12201	GASKET	1							
14	2	114250-13201	GASKET, MUFFLER	1							
15	2	114250-11311	GASKET, BONNET	1							
16	2	24311-000180	O-RING, 1AP18.0	2							
17	2	22190-160002	WASHER, SEAL 16	2							
18	2	24341-000224	O-RING, 1AS22.4	1							
19	2	103338-32570	O-RING	1							

No.	Lev.	Parts No.	Description	(A)	(B)	(C)	(D)	(E)	(F)	I	R

Remarks
(1) OPTIONAL PART.

Parts No. Index

Parts No.	Fig. No.	Ref. No.
102100-67080	5	34
103338-32570	5	7
	9	19
103854-01221	4	18
105425-01690	1	36
105546-51020	7	2
105546-51330	7	14
106990-44660	8	4
		6
114250-01200	1	8
114250-01210	1	9
114250-01220	1	10
114250-01250	1	11
114250-01340	1	13
	9	7
114250-01380	1	14
	9	8
114250-01412	1	26
	9	9
114250-01800	1	15
114250-01830	1	20
114250-01841	1	21
	9	10
114250-02030	1	41
114250-02100	1	30
114250-02113	1	42
114250-02200	1	47
114250-02210	1	48
114250-07111	9	4
114250-11101	2	6
114250-11113	2	7
114250-11120	2	8
114250-11180	2	9
114250-11240	2	22
		27
114250-11290	2	12
114250-11311	2	35
	9	15
114250-11340	2	15
	9	11
114250-11460	2	17
	9	12
114250-11600	2	19
114250-11651	2	20
114250-11900	2	30
114250-12201	3	2
	9	13
114250-13201	3	5
	9	14
114250-14200	4	6

Parts No.	Fig. No.	Ref. No.
114250-14260	4	7
114250-14450	4	8
114250-21550	4	21
114250-22302	4	32
114250-23200	4	37
114250-23220	4	38
114250-23250	4	39
114250-32010	5	1
114250-32070	5	6
114250-35070	5	10
114250-35150	1	33
114250-45211	6	1
114250-45301	6	4
114250-45310	6	5
114250-45330	6	6
114250-51080	7	3
114250-51160	7	4
114250-51200	7	5
114250-51300	7	11
114250-51340	7	15
114250-51600	7	17
114250-51640	7	18
114250-51650	7	19
114250-53001	7	23
114250-53080	7	26
114250-53120	7	27
114250-53130	7	28
114250-53140	7	29
114250-53210	7	30
114250-53300	7	31
114250-53331	7	34
114250-53400	7	35
114250-59800	7	42
114250-66050	5	28
114250-66200	5	41
114250-66440	5	33
114250-66550	5	42
114250-76590	6	23
114252-66252	5	30
114260-76050	6	8
114260-76250	6	9
114260-76520	6	10
114261-07350	9	3
114268-66500	5	31
114270-01600	1	22
114270-61520	5	25
114274-45100	6	3
114284-01451	1	27
114284-12010	3	1
114284-12200	8	16

Parts No.	Fig. No.	Ref. No.
114284-13500	3	6
114284-59100	8	3
114284-59710	8	12
114288-03580	2	38
114288-03640	2	41
114288-11960	2	36
114288-21401	4	19
114350-01700	1	6
114350-11470	2	18
114370-45350	6	7
114654-59070	8	10
114770-11020	2	1
114770-61190	5	37
114770-61600	5	26
114770-61610	5	27
114770-66010	5	40
119260-11370	2	16
	29	
124550-51350	7	16
124722-59050	8	9
124950-01250	1	12
129100-61850	2	48
160110-02220	1	43
160210-02220	1	44
160260-76520	6	11
160260-76530	6	12
160260-76540	6	13
160260-76550	6	14
160260-76560	6	15
160260-76580	6	17
160260-76590	6	18
160260-76600	6	19
160260-76620	6	21
160260-76630	6	22
160290-76570	6	16
160710-01760	1	37
160710-78710	8	13
183250-21350	4	23
183250-59010	8	5
183250-59040	8	7
183250-59050	8	8
183254-55120	8	1
183666-59330	8	11
22190-160002	1	40
	9	17
22252-000190	4	33
22312-030080	4	40
22312-030160	2	43
	5	8
22322-030200	5	18

Parts No.	Fig. No.	Ref. No.
22322-030200	5	19
22351-020006	7	20
22351-030008	7	21
22351-040008	2	31
22512-040120	4	22
	8	14
24162-152112	1	45
24311-000180	1	39
	9	16
24341-000224	5	11
	9	18
24341-000450	8	2
26106-060082	6	24
26106-060122	3	9
	6	25
26106-060162	5	12
26106-060202	5	35
26106-060252	1	34
	3	3
26106-060552	2	47
26106-080122	1	46
26106-080352	1	35
26106-080452	2	32
26106-100122	1	7
26117-040088	5	36
26216-080182	3	10
26226-060182	1	23
26226-060222	1	24
26226-060502	2	33
26226-060552	3	4
26226-100402	8	15
26366-060002	1	25
	2	34
	3	12
26366-080002	3	11
26476-060142	5	9
	6	2
26696-100002	5	47
26756-060002	2	23
	28	
26757-060002	5	39
714250-11570	2	10
714250-22502	4	26
714250-22542	4	45
714250-22550	4	51
714250-23600	4	41
714250-23610	4	55
714250-23620	4	57
714250-23703	4	34

Parts No. Index

Parts No.	Fig. No.	Ref. No.
714250-51200	7	1 -1
714250-51710	7	1 -2
714250-53101	7	22
714250-61500	5	13
714250-92602	9	6
714270-01560	1	1
714270-11660	2	24
714280-22580	4	49
714280-22620	4	43
714280-22720	4	24
714284-21710	4	12
714284-21711	4	12 -1
714770-61700	5	20
714780-14580	4	1
714780-14581	4	1 -1

Parts No.	Fig. No.	Ref. No.
-----------	----------	----------

Parts No.	Fig. No.	Ref. No.
-----------	----------	----------

Parts No.	Fig. No.	Ref. No.
-----------	----------	----------