

OCR10-M55400EN

# はじめに

1. 本パーツカタログは、YASC向けL40AE-DTMYC, L40AE-DGTMyc, L40AE-DPTMYC, L40AE-STMYC, L40AE-SETMYC形を掲載した新作版です。

	パーツカタログNo.	発行年月	備考
初版	000Y00R5540	2002年10月	

2. 本パーツカタログは、整備要領などを示した技術資料ではありません。
3. 本パーツカタログのイラストは、一部簡略化したものを使用しています。
4. 本パーツカタログの記載内容は、予告なく変更することがありますのでご了承ください。
5. ヤンマー製品の整備には、必ず『ヤンマー純正部品』をご使用ください。  
市販の類似品を使用して修理されますと、早期破損などの原因となりますのでご注意ください。

# Introduction

1. This parts catalog is a first edition for the YASC L40AE-DTMYC, L40AE-DGTMyc, L40AE-DPTMYC, L40AE-STMYC, L40AE-SETMYC Diesel engine.

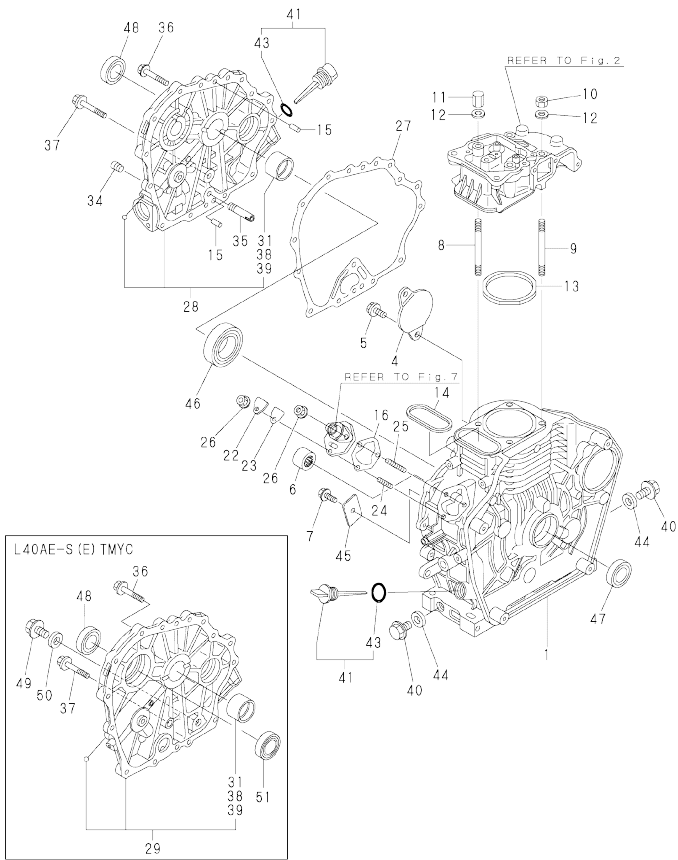
	Parts catalog No.	Date of issue	Remarks
First edition	000Y00R5540	Oct., 2002	

2. This parts catalog dose not contain the technical data needed for maintenance service.
3. The illustrations used in this parts catalog have been simplified for clarity.
4. The contents of this parts catalog are subject to change without notice.
5. Be sure to use only Yanmar genuine part for repairs. If imitation parts are used, it may cause engine defects.

## Contents

Fig. No.	Fig. Name	Fig. No.	Fig. Name
L40AE SERIES YASC			
1.	CYLINDER BLOCK		
2.	CYLINDER HEAD & BONNET		
3.	AIR CLEANER & MUFFLER		
4.	CRANKSHAFT,PISTON & CAMSHAFT		
5.	LUB.OIL PUMP & GOVERNOR		
6.	COOLING & STARTING DEVICE		
7.	FUEL INJECTION PUMP		
8.	FUEL TANK & FUEL PIPE		
9.	STARTING MOTOR		
10.	TOOL,LABEL & GASKET SET		

Fig.1. CYLINDER BLOCK



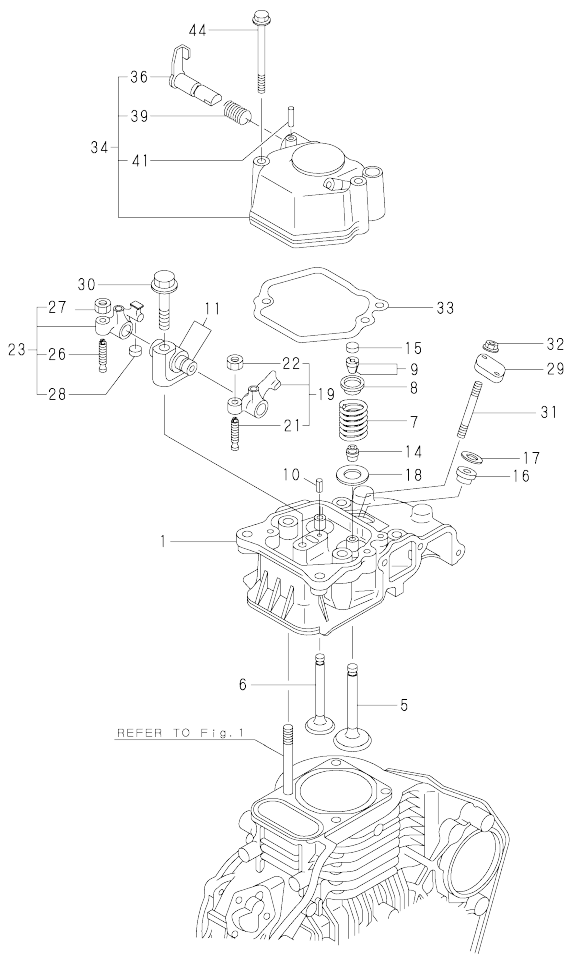
No.	Lev.	Parts No.	Description	Q'ty						I	R
				(A)	(B)	(C)	(D)	(E)	(F)		
1	1	114299-01010	BLOCK ASSY, CYLINDER	1	1	1	1	1	1		
4	1	114399-01700	COVER, STARTER	1	1	1	1	1	1		
5	1	26106-100122	BOLT, M10X 12 PLATED	2	2	2	2	2	2		
6	1	24162-152112	BEARING, 152112	1	1	1	1	1	1		
7	1	26106-080122	BOLT, M8X 12 PLATED	1	1	1	1	1	1		
8	1	114299-01200	BOLT, HEAD	2	2	2	2	2	2		
9	1	114299-01210	BOLT, HEAD	2	2	2	2	2	2		
10	1	114299-01220	NUT, CYLINDER HEAD A	2	2	2	2	2	2		
11	1	114299-01230	NUT, CYLINDER HEAD B	2	2	2	2	2	2		
12	1	124950-01250	WASHER	4	4	4	4	4	4		
13	1	114299-01340	GASKET, HEAD	1	1	1	1	1	1		
14	1	114299-01380	O-RING	1	1	1	1	1	1		
15	1	114270-01600	PIN, M8X12	2	2	2	2	2	2		
16	1	114299-01800	SHIM SET	1	1	1	1	1	1		
22	1	114299-01830	COVER	1	1	1	1	1	1		
23	1	114299-01840	GASKET	1	1	1	1	1	1		
24	1	26226-060182	STUD, M6X 18	1	1	1	1	1	1		
25	1	26226-060222	STUD, M6X 22	2	2	2	2	2	2		
26	1	26366-060002	NUT, M6	3	3	3	3	3	3		
27	1	114299-01410	GASKET, CRANK CASE	1	1	1	1	1	1		
28	1	114260-01455	COVER, CRANK CASE	1	1	1	1	1	1		
29	1	114250-01452	COVER, CRANK CASE					1	1		
31	2	114250-02100	BEARING, MAIN	1	1	1	1	1	1		1
34	1	23876-010000	PLUG, R01	1	1	1	1	1	1		
35	1	114299-35150	PIPE, OIL INLET	1	1	1	1	1	1		
36	1	26106-060252	BOLT, M6X 25 PLATED	14	14	14	14	14	14		
37	1	26106-080352	BOLT, M8X 35 PLATED	1	1	1	1	1	1		
38	1	114250-02200	BEARING, 0.25 US	1	1	1	1	1	1		2
39	1	114250-02210	BEARING, 0.50 US	1	1	1	1	1	1		3
40	1	105425-01690	PLUG, 16	2	2	2	2	2	2		
41	1	114299-01760	CAP ASSY	2	2	2	2	2	2		
43	2	114299-01950	O-RING, 18	2	2	2	2	2	2		
44	1	22190-160002	WASHER, SEAL 16	2	2	2	2	2	2		
45	1	114299-02030	RETAINER, BEARING	1	1	1	1	1	1		
46	1	114250-02113	BEARING, HR6306G3C3	1	1	1	1	1	1		
47	1	114299-02220	SEAL, OIL	1	1	1	1	1	1		
48	1	160210-02220	SEAL, 25X41.2X8	1	1	1	1	1	1		
49	1	105425-01690	PLUG, 16								1
50	1	22190-160002	WASHER, SEAL 16								1
51	1	24101-062050	BEARING, BALL 6205C3					1	1		

Remarks

- (1)REPAIR PART.
- (2)UNDER SIZED(U.S.=0.25)PART.
- (3)UNDER SIZED(U.S.=0.50)PART.

OCR10-M55400

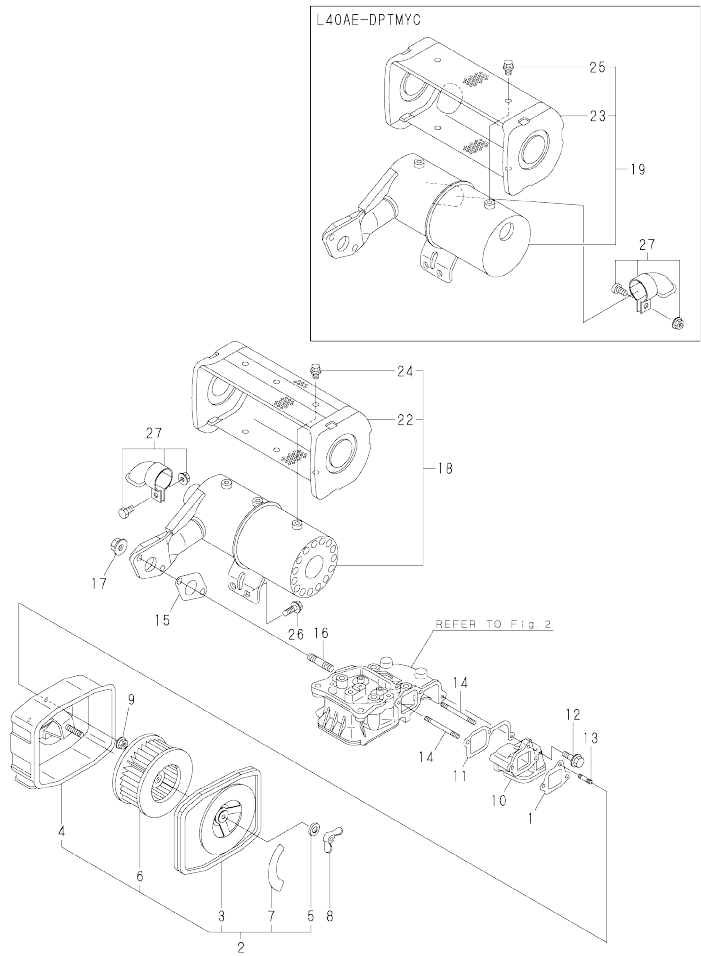
Fig.2. CYLINDER HEAD & BONNET



No.	Lev.	Parts No.	Description	Q'ty						I	R
				(A)	(B)	(C)	(D)	(E)	(F)		
1	1	114770-11020	HEAD ASSY, CYLINDER	1	1	1	1	1	1		
5	1	114250-11101	VALVE, INTAKE	1	1	1	1	1	1		
6	1	114250-11113	VALVE, EXHAUST	1	1	1	1	1	1		
7	1	114299-11120	SPRING, VALVE	2	2	2	2	2	2		
8	1	114250-11180	RETAINER, SPRING	2	2	2	2	2	2		
9	1	27310-055001	COTTER, 5.5	2	2	2	2	2	2		
10	1	22351-040008	PIN, SPRING 4.0X 8	1	1	1	1	1	1		
11	1	114250-11290	SUPPORT, ROCKER ARM	1	1	1	1	1	1		
14	1	114250-11340	SEAL, VALVE STEM	2	2	2	2	2	2		
15	1	119260-11370	CAP, VALVE	1	1	1	1	1	1		
16	1	114250-11460	GASKET, NOZZLE	1	1	1	1	1	1		
17	1	114350-11470	SPACER, NOZZLE	1	1	1	1	1	1		
18	1	114250-11600	WASHER	2	2	2	2	2	2		
19	1	114250-11651	ARM, ROCKER	1	1	1	1	1	1		
21	2	114250-11240	SCREW, VALVE ADJUST	1	1	1	1	1	1		
22	2	26856-060002	NUT, M6	1	1	1	1	1	1		
23	1	714270-11660	ARM ASSY, ROCKER	1	1	1	1	1	1		
26	3	114250-11240	SCREW, VALVE ADJUST	1	1	1	1	1	1		
27	3	26856-060002	NUT, M6	1	1	1	1	1	1		
28	2	119260-11370	CAP, VALVE	1	1	1	1	1	1		
29	1	114299-11901	RETAINER, NOZZLE	1	1	1	1	1	1		
30	1	26106-080452	BOLT, M8X 45 PLATED	1	1	1	1	1	1		
31	1	26226-060502	STUD, M6X 50	2	2	2	2	2	2		
32	1	26366-060002	NUT, M6	2	2	2	2	2	2		
33	1	114250-11311	GASKET, BONNET	1	1	1	1	1	1		
34	1	114299-11950	BONNET ASSY, HEAD	1	1	1	1	1	1		
36	2	114250-03591	LEVER ASSY	1	1	1	1	1	1		
39	2	114250-03640	SPRING, DECOMPRESSION	1	1	1	1	1	1		
41	2	22312-030160	PIN, PARALLEL M3X16	1	1	1	1	1	1		
44	1	26106-060552	BOLT, M6X 55 PLATED	2	2	2	2	2	2		

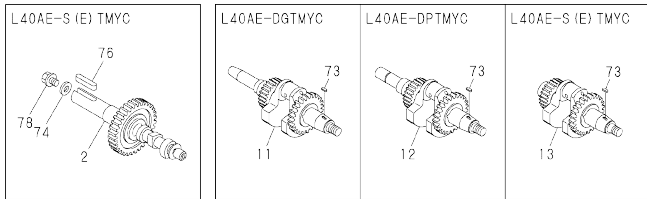
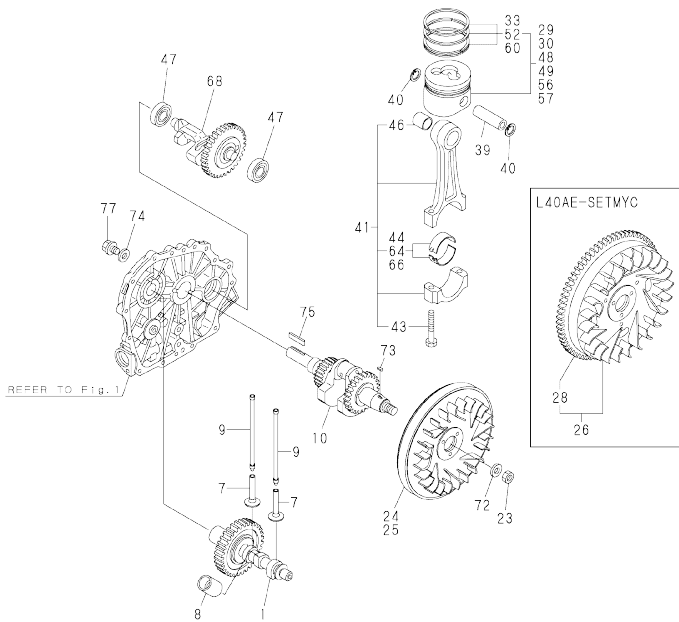
N:Old  $\frac{New}{Old}$  New, Q:Old  $\frac{New}{Old}$  New, R:Old  $\frac{New}{Old}$  New, S:Old  $\frac{New}{Old}$  New, W:Add, Z:Discontinued, F:Interchangeable by set, K:Q'ty Change  
 Copyright (C) YANMAR CO., LTD. All Rights Reserved.

Fig.3. AIR CLEANER & MUFFLER



No.	Lev.	Parts No.	Description	Q'ty						I	R
				(A)	(B)	(C)	(D)	(E)	(F)		
1	1	114299-12210	GASKET, AIR CLEANER	1	1	1	1	1			
2	1	114250-12570	CLEANER, AIR	1	1	1	1	1			
3	2	114250-12520	COVER, AIR CREAMER	1	1	1	1	1			
4	2	114250-12530	CASE ASSY, CLEANER	1	1	1	1	1			
5	2	114250-12560	WASHER, SEAL M6	1	1	1	1	1			
6	2	114250-12581	ELEMENT	1	1	1	1	1			
7	2	114770-07450	LABEL, AIR CLEANER	1	1	1	1	1			
8	1	114250-12550	NUT, WING M6	1	1	1	1	1			
9	1	114250-12300	NUT	3	3	3	3	3			
10	1	114299-12010	PIPE, AIR INTAKE	1	1	1	1	1			
11	1	114299-12200	GASKET	1	1	1	1	1			
12	1	26106-060252	BOLT, M6X 25 PLATED	1	1	1	1	1			
13	1	26226-060142	STUD, M6X 14	1	1	1	1	1			
14	1	26226-060552	STUD, M6X 55	2	2	2	2	2			
15	1	114299-13200	GASKET, MUFFLER	1	1	1	1	1			
16	1	26216-080182	STUD, M8X 18	2	2	2	2	2			
17	1	26306-080002	NUT, M8	2	2	2	2	2			
18	1	114268-13500	MUFFLER ASSY	1	1		1	1			
19	1	114299-13520	MUFFLER				1				
22	2	114268-13700	COVER, SILENCER	1	1		1	1			
23	2	114299-13700	COVER				1				
24	2	26106-060082	BOLT, M6X 8 PLATED	6	6		6	6			
25	2	26106-060082	BOLT, M6X 8 PLATED				4				
26	1	26106-060122	BOLT, M6X 12 PLATED	2	2	2	2	2			
27	1	114299-13800	EXTENSION ASSY	1	1	1	1	1			

Fig.4. CRANKSHAFT,PISTON & CAMSHAFT

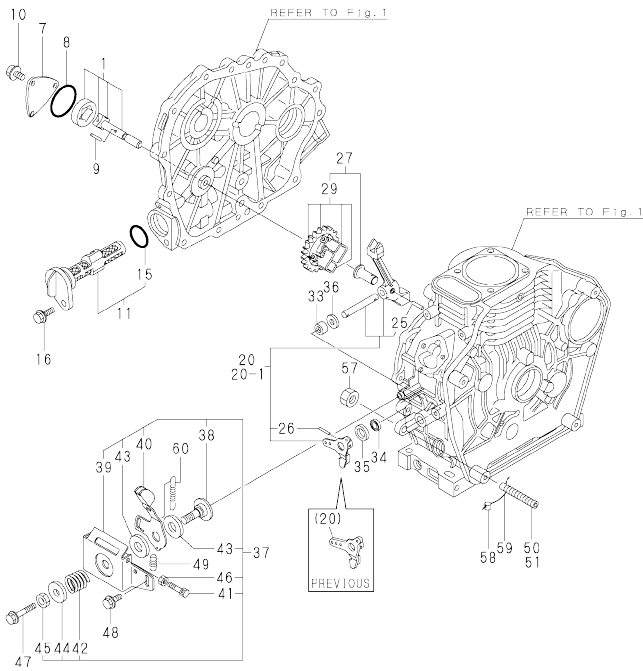
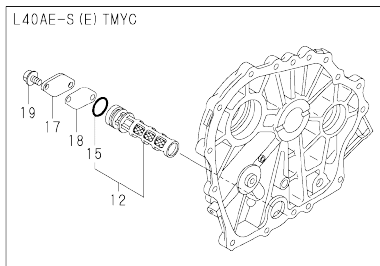


Remarks

- (1)OVER SIZED(O.S.=0.25)PART.
- (2)OVER SIZED(O.S.=0.50)PART.
- (3)UNDER SIZED(U.S.=0.25)PART.
- (4)UNDER SIZED(U.S.=0.50)PART.

No.	Lev.	Parts No.	Description	Qty						I	R	
				(A)	(B)	(C)	(D)	(E)	(F)			
1	1	714299-14580	CAMSHAFT ASSY									
2	1	714770-14670	CAMSHAFT ASSY					1	1			
7	1	114250-14200	TAPPET	2	2	2	2	2	2			
8	1	114771-14260	TAPPET	1	1	1	1	1	1			
9	1	114250-14451	ROD ASSY, PUSH	2	2	2	2	2	2			
10	1	714288-21700	CRANKSHAFT ASSY	1								
11	1	714288-21730	CRANKSHAFT ASSY		1							
12	1	714288-21760	CRANKSHAFT ASSY			1						
13	1	714278-21710	CRANKSHAFT ASSY					1	1			
23	1	114299-21220	NUT	1	1	1	1	1	1			
24	1	114299-21400	FLYWHEEL	1	1	1						
25	1	114299-21440	FLYWHEEL					1				
26	1	114299-21570	FLYWHEEL ASSY							1		
28	2	114251-21600	GEAR, RING							1		
29	1	714280-22721	PISTON ASSY, D	1	1	1						
30	1	714270-22721	PISTON ASSY, 19-63							1	1	
33	2	714250-22503	RING SET, PISTON	1	1	1	1	1	1			
39	1	114299-22300	PIN, PISTON D=19	1	1	1	1	1	1			
40	1	22252-000190	RING, 19	2	2	2	2	2	2			
41	1	71477G-23700	ROD ASSY, CONNECTING	1	1	1	1	1	1			
43	2	119265-23200	BOLT, CONNECTING ROD	2	2	2	2	2	2			
44	2	714770-23600	BEARING, CRANK PIN	1	1	1	1	1	1			
46	2	114770-23100	BEARING, PISTON PIN	1	1	1	1	1	1			
47	1	24101-062020	BEARING, BALL 6202C3	2	2	2	2	2	2			
48	1	714280-22621	PISTON ASSY, 0.25 OS	1	1	1						1
49	1	714270-22621	PISTON ASSY, 0.25 OS							1	1	1
52	2	714250-22543	RING SET, 0.25 OS	1	1	1	1	1	1			1
56	1	714280-22581	PISTON ASSY, 0.50 OS	1	1	1						2
57	1	714270-22581	PISTON ASSY, 0.50 OS							1	1	2
60	2	714250-22551	RING SET, 0.50 OS	1	1	1	1	1	1			2
64	1	714770-23610	BEARING ASSY, 0.25	1	1	1	1	1	1			3
66	1	714770-23620	BEARING, 0.50 US	1	1	1	1	1	1			4
68	1	714770-28511	SHAFT ASSY, BALANCER	1	1	1	1	1	1			
72	1	114299-21550	WASHER	1	1	1	1	1	1			
73	1	22512-040120	KEY, 4X 12	1	1	1	1	1	1			
74	1	160310-14550	WASHER	1						1	1	
75	1	160642-21150	KEY, 4.7X30	1								
76	1	22512-050300	KEY, 5X 30							1	1	
77	1	160642-21250	BOLT, 5/15-24UNF	1								
78	1	26106-080202	BOLT, M8X 20 PLATED							1	1	

Fig.5. LUB.OIL PUMP & GOVERNOR

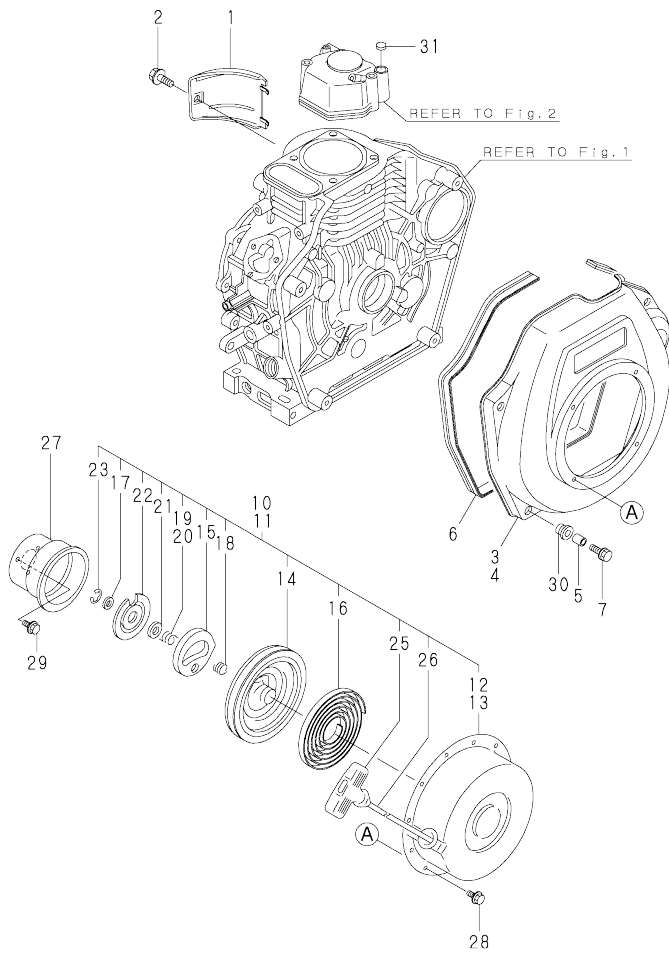


(A)=L40AE-DTMYC (D)=L40AE-STMYC  
 (B)=L40AE-DGTMYC (E)=L40AE-SETMYC  
 (C)=L40AE-DPTMYC (F)=

No.	Lev.	Parts No.	Description	Qty						I	R
				(A)	(B)	(C)	(D)	(E)	(F)		
1	1	114250-32010	PUMP ASSY, OIL	1	1	1	1	1	1		
7	1	114299-32070	COVER	1	1	1	1	1	1		
8	1	114299-32570	O-RING	1	1	1	1	1	1		
9	1	22312-030160	PIN, PARALLEL M3X16	1	1	1	1	1	1		
10	1	26476-060142	SCREW, TAPPING M6X14	3	3	3	3	3	3		
11	1	114299-35110	FILTER ASSY, OIL	1	1	1	1	1	1		
12	1	114299-35100	FILTER ASSY, OIL							1	1
15	2	24341-000224	O-RING, 1AS22.4	1	1	1	1	1	1		
16	1	26106-060162	BOLT, M6X 16 PLATED	1	1	1	1	1	1		
17	1	114250-35250	COVER							1	1
18	1	114250-35271	GASKET							1	1
19	1	26106-060122	BOLT, M6X 12 PLATED							2	2
20	1	714250-61500	LEVER ASSY, GOVERNOR	1	1	1	1	1	1		
20-1	1	714250-61501	LEVER ASSY, GOVERNOR	1	1	1	1	1	1		S
		(A=*2001.09)	(B=*2001.09)	(C=*2001.09)	(D=*2001.09)	(E=*2001.09)					
25	3	22322-030200	PIN, TAPER 3X20	1	1	1	1	1	1		
26	2	22322-030200	PIN, TAPER 3X20	1	1	1	1	1	1		
27	1	714299-61700	GOVERNOR ASSY	1	1	1	1	1	1		
29	2	114299-61210	WEIGHT ASSY, GOVERNOR	1	1	1	1	1	1		
33	1	114770-61520	BEARING, NEEDLE	2	2	2	2	2	2		
34	1	114299-61600	SEAL, OIL	1	1	1	1	1	1		
35	1	114770-61610	WASHER, THRUST	1	1	1	1	1	1		
36	1	114299-61190	WASHER	1	1	1	1	1	1		
37	1	183250-66500	BRACKET ASSY	1	1	1	1	1	1		
38	2	183250-66070	SHAFT, HANDLE	1	1	1	1	1	1		
39	2	183250-66100	BRACKET, RADIATOR	1	1	1	1	1	1		
40	2	183250-66050	HANDLE, REGULATOR	1	1	1	1	1	1		
41	2	114250-66440	BOLT, ADJUSTING	1	1	1	1	1	1		
42	2	104200-66820	SPRING	1	1	1	1	1	1		
43	2	104200-66831	PLATE, FRICTION	2	2	2	2	2	2		
44	2	104200-66850	WASHER	1	1	1	1	1	1		
45	2	26696-100002	NUT, LOCK M10	1	1	1	1	1	1		
46	2	26757-060002	NUT, LOCK M6	1	1	1	1	1	1		
47	1	26106-060452	BOLT, M6X 45 PLATED	1	1	1	1	1	1		
48	1	26476-060142	SCREW, TAPPING M6X14	1	1	1	1	1	1		
49	1	114299-66200	SPRING, RETURN	1	1	1	1	1	1		
50	1	114250-66550	LIMITER ASSY, FUEL	1	1	1	1	1	1		
51	1	114770-66550	LIMITER ASSY, FUEL							1	
57	1	26776-100002	NUT, LOCK M10	1	1	1	1	1	1		
58	1	135210-61090	LEAD	2	2	2	2	2	2		
59	1	22451-060000	WIRE, 0.6	2	2	2	2	2	2		
60	1	114299-66010	SPRING, REGULATOR	1	1	1	1	1	1		



Fig.6. COOLING & STARTING DEVICE

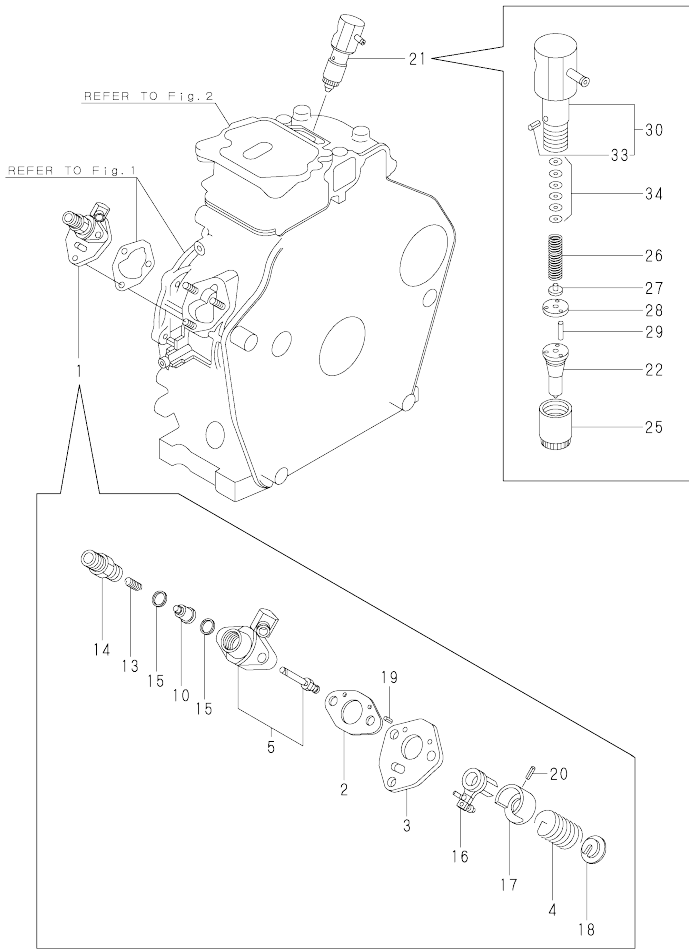


No.	Lev.	Parts No.	Description	Q'ty						I	R
				(A)	(B)	(C)	(D)	(E)	(F)		
1	1	114299-45210	COVER	1	1	1	1	1			
2	1	26106-060122	BOLT, M6X 12 PLATED	1	1	1	1	1			
3	1	114299-45110-1	CASE, COOLING FAN	1	1	1					
4	1	114778-45100-2	CASE, COOLING FAN				1	1			
5	1	114299-45310	COLLAR	4	4	4	4	4			
6	1	114250-45330	SEAL, FAN CASE L=875	1	1	1	1	1			
7	1	114370-45351	BOLT	4	4	4	4	4			
10	1	114260-76251	STARTER ASSY, RECOIL	1	1	1					
11	1	114250-76251	STARTER ASSY, RECOIL				1	1			
12	2	114260-76520	CASE, STARTER	1	1	1					
13	2	114250-76510	CASE, STARTER				1	1			
14	2	160260-76520	REEL	1	1	1	1	1			
15	2	160260-76530	RATCHET	1	1	1	1	1			
16	2	160260-76540	SPRING, SPIRAL	1	1	1	1	1			
17	2	160260-76550	WASHER, THRUST	1	1	1	1	1			
18	2	160260-76560	SPRING, FRICTION	1	1	1	1	1			
19	2	160290-76570	SPRING, RETURN	1	1	1					
20	2	160260-76570	SPRING, RETURN				1	1			
21	2	160260-76580	COVER	1	1	1	1	1			
22	2	160260-76590	PLATE, FRICTION	1	1	1	1	1			
23	2	160260-76600	CIRCLIP	1	1	1	1	1			
25	2	114250-76620	KNOB, STARTER	1	1	1	1	1			
26	2	160260-76630	ROPE, STARTER	1	1	1	1	1			
27	1	114250-76590	PULLEY, STARTER	1	1	1	1	1			
28	1	26106-060082	BOLT, M6X 8 PLATED	4	4	4	4	4			
29	1	26106-060122	BOLT, M6X 12 PLATED	3	3	3	3	3			
30	1	114250-45301	ABSORBER	4	4	4	4	4			
31	1	129100-61850	PLUG, 12	1	1	1	1	1			

N:Old  $\frac{100}{100}$  New, Q:Old  $\frac{100}{100}$  New, R:Old  $\frac{100}{100}$  New, S:Old  $\frac{100}{100}$  New, W:Add, Z:Discontinued, F:Interchangeable by set, K:Q'ty Change  
 Copyright (C) YANMAR CO., LTD. All Rights Reserved.

OCR10-M55400

Fig.7. FUEL INJECTION PUMP

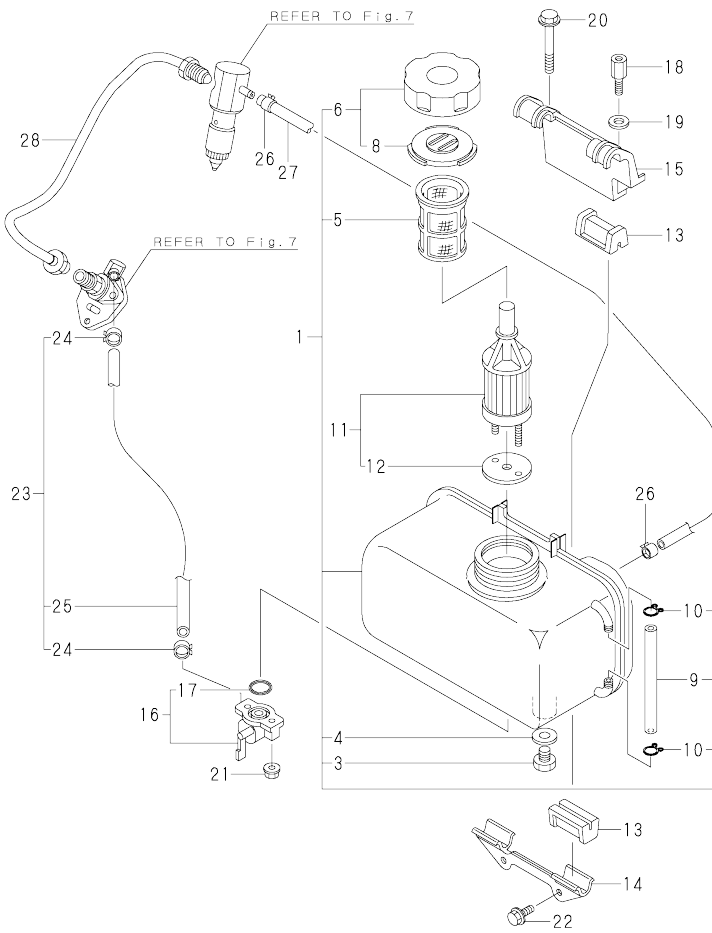


(A)=L40AE-DTMYC  
(B)=L40AE-DGTMYC  
(C)=L40AE-DPTMYC  
(D)=L40AE-STMYC  
(E)=L40AE-SETMYC  
(F)=

No.	Lev.	Parts No.	Description	Q'ty						I	R
				(A)	(B)	(C)	(D)	(E)	(F)		
1	1	714250-51400	PUMP ASSY, INJECTION	1	1	1	1	1	1		
2	2	105546-51020	GASKET	1	1	1	1	1	1		
3	2	114250-51080	PLATE	1	1	1	1	1	1		
4	2	114250-51160	SPRING, PLUNGER	1	1	1	1	1	1		
5	2	114250-51400	BODY ASSY, PUMP	1	1	1	1	1	1		
10	2	114250-51300	VALVE ASSY, DELIVERY	1	1	1	1	1	1		
13	2	105546-51330	SPRING, DELIVERY	1	1	1	1	1	1		
14	2	114250-51340	HOLDER, DELIVERY	1	1	1	1	1	1		
15	2	124550-51350	GASKET, DELIVERY	2	2	2	2	2	2		
16	2	114250-51600	LEVER ASSY, CONTROL	1	1	1	1	1	1		
17	2	114250-51640	SEAT, SPRING A	1	1	1	1	1	1		
18	2	114250-51650	SEAT, SPRING B	1	1	1	1	1	1		
19	2	22351-020006	PIN, SPRING 2.0X 6	2	2	2	2	2	2		
20	2	22351-030008	PIN, SPRING 3.0X 8	1	1	1	1	1	1		
21	1	714250-53101	VALVE ASSY, INJECTION	1	1	1	1	1	1		
22	2	114250-53001	VALVE ASSY, INJECTION	1	1	1	1	1	1		
25	2	114250-53080	NUT, NOZZLE D16.95	1	1	1	1	1	1		
26	2	114250-53120	SPRING, NOZZLE	1	1	1	1	1	1		
27	2	114250-53130	SEAT, SPRING	1	1	1	1	1	1		
28	2	114250-53140	PLATE	1	1	1	1	1	1		
29	2	114250-53210	PIN	2	2	2	2	2	2		
30	2	114250-53300	HOLDER ASSY, NOZZLE	1	1	1	1	1	1		
33	3	114250-53331	PIN	1	1	1	1	1	1		
34	2	114250-53400	SHIM SET	1	1	1	1	1	1		

N:Old  $\frac{100}{100}$  New, Q:Old  $\frac{100}{100}$  New, R:Old  $\frac{100}{100}$  New, S:Old  $\frac{100}{100}$  New, W:Add, Z:Discontinued, F:Interchangeable by set, K:Q'ty Change  
Copyright (C) YANMAR CO., LTD. All Rights Reserved.

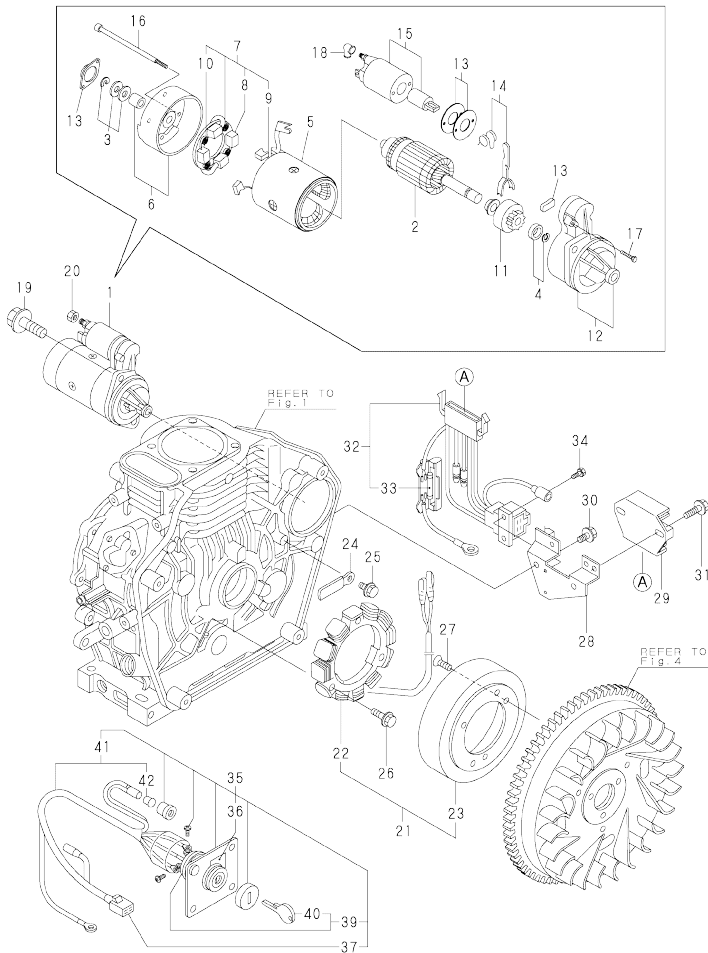
Fig.8. FUEL TANK & FUEL PIPE



No.	Lev.	Parts No.	Description	Q'ty						I	R
				(A)	(B)	(C)	(D)	(E)	(F)		
1	1	714299-55300	TANK ASSY, FUEL	1	1	1	1	1	1		
3	3	105300-55080	PLUG, 8	1	1	1	1	1	1		
4	3	23414-080000	GASKET, 8X1.0	1	1	1	1	1	1		
5	2	114250-55100	FILTER, FUEL	1	1	1	1	1	1		
6	2	114288-55041	CAP ASSY	1	1	1	1	1	1		
8	3	114288-55081	VALVE	1	1	1	1	1	1		
9	2	114250-55150	GAUGE, LEVEL	1	1	1	1	1	1		
10	2	114299-55450	CLIP, HOSE 7	2	2	2	2	2	2		
11	1	114250-55121	FILTER ASSY, FUEL	1	1	1	1	1	1		
12	2	114250-55130	GASKET	1	1	1	1	1	1		
13	1	114299-55201	DAMPER, FUEL TANK	4	4	4	4	4	4		
14	1	114299-55210	STAY, FUEL TANK	1	1	1	1	1	1		
15	1	114299-55230	STAY, FUEL TANK	1	1	1	1	1	1		
16	1	114250-55301	COCK ASSY, FUEL	1	1	1	1	1	1		
17	2	24341-000150	O-RING, 1AS15.0	1	1	1	1	1	1		
18	1	114650-55810	BOLT	1	1	1	1	1	1		
19	1	22117-080000	WASHER, 8	1	1	1	1	1	1		
20	1	26106-080452	BOLT, M8X 45 PLATED	1	1	1	1	1	1		
21	1	26366-060002	NUT, M6	2	2	2	2	2	2		
22	1	26106-060162	BOLT, M6X 16 PLATED	2	2	2	2	2	2		
23	1	114770-59030	PIPE ASSY, FUEL	1	1	1	1	1	1		
24	2	114270-59010	CLIP, HOSE 12	2	2	2	2	2	2		
25	2	114268-59061	PIPE, FUEL L=50	1	1	1	1	1	1		
26	1	124722-59050	CLIP, HOSE 9	2	2	2	2	2	2		
27	1	114250-59060	PIPE, FUEL RETURN	1	1	1	1	1	1		
28	1	114250-59800	PIPE ASSY, INJECTION	1	1	1	1	1	1		

N:Old  $\frac{New}{Old}$  New. Q:Old  $\frac{New}{Old}$  New. R:Old  $\frac{New}{Old}$  New. S:Old  $\frac{New}{Old}$  New. W:Add. Z:Discontinued. F:Interchangeable by set. K:Q'ty Change  
 Copyright (C) YANMAR CO., LTD. All Rights Reserved.

Fig.9. STARTING MOTOR

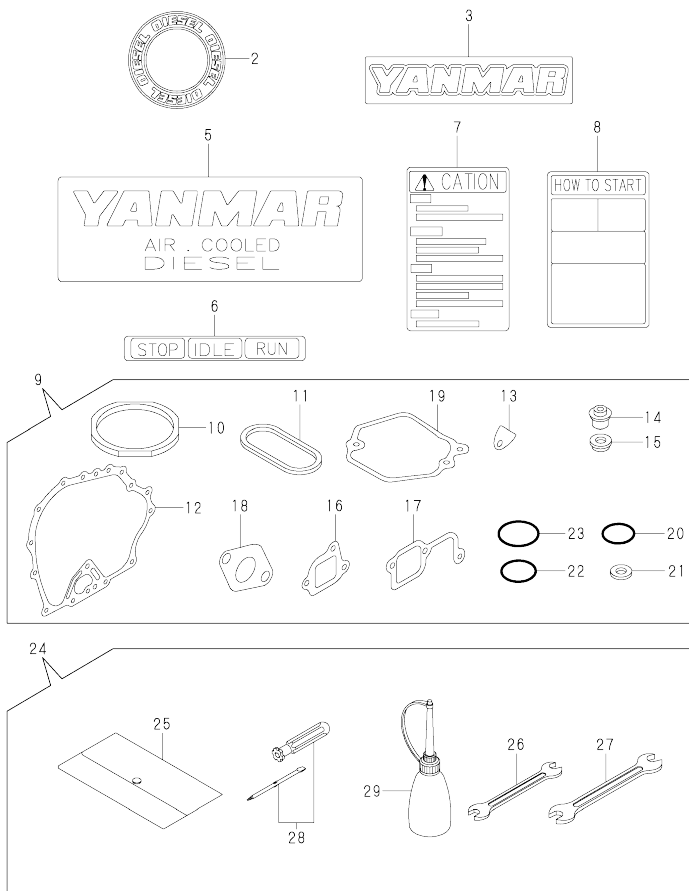


No.	Lev.	Parts No.	Description	Qty						I	R	
				(A)	(B)	(C)	(D)	(E)	(F)			
1	1	114351-77011	MOTOR ASSY, STARTER									
2	2	114371-77110	ARMATURE									1
3	2	X2114811000	WASHER KIT, THRUST									1
4	2	X2114715500	STOPPER SET, PINION									1
5	2	114371-77130	COIL ASSY, FIELD									1
6	2	114371-77140	COVER ASSY, REAR									1
7	2	114371-77160	HOLDER ASSY, BRUSH									1
8	3	114371-79040	BRUSH (-)									2
9	3	114371-79050	BRUSH (+)									1
10	3	114371-79060	SPRING, BRUSH									4
11	2	119226-77650	CLUTCH ASSY									1
12	2	114371-77151	CASE ASSY, GEAR									1
13	2	114371-77170	COVER KIT, DUST									1
14	2	114371-77180	LEVER KIT, SHIFT									1
15	2	124298-77020	SWITCH, MAGNETIC									1
16	2	124195-77770	THROUGH BOLT									2
17	2	114371-79070	BOLT M 6X 37									2
18	2	X2114274200	COVER, TERMINAL									1
19	1	26106-100302	BOLT, M10X 30 PLATED									2
20	1	26716-080002	NUT, M8									1
21	1	114399-78260	DYNAMO ASSY									1
22	2	114399-78730	STATOR ASSY									1
23	2	114399-78740	WHEEL, DYNAMO									1
24	1	160710-78710	CLAMP, CORD									1
25	1	26106-060122	BOLT, M6X 12 PLATED									1
26	1	26106-060202	BOLT, M6X 20 PLATED									3
27	1	26577-060142	SCREW M 6X 14									3
28	1	114385-77400	BRACKET									1
29	1	119660-77710	LIMITER, CURRENT 15A									1
30	1	26106-060122	BOLT, M6X 12 PLATED									2
31	1	26106-060202	BOLT, M6X 20 PLATED									2
32	1	114351-77540	HARNESS, WIRE									1
33	2	29411-200000	FUSE, CARTRIDGE 20A									2
34	1	26023-040102	SCREW, M4X10									2
35	1	114351-77500	PANEL ASSY									1
36	2	105198-07120	LABEL, STARTER									1
37	2	114351-77520	COUPLER									1
39	2	106100-77620	SWITCH, KEY									1
40	3	106100-77630	KEY, SWITCH									1
41	2	114351-77700	HARNESS, WIRE									1
42	3	29220-083200	BULB, 12V 3.4W									1

N:Old  $\frac{100}{100}$  New, Q:Old  $\frac{100}{100}$  New, R:Old  $\frac{100}{100}$  New, S:Old  $\frac{100}{100}$  New, W:Add, Z:Discontinued, F:Interchangeable by set, K:Qty Change  
 Copyright (C) YANMAR CO., LTD. All Rights Reserved.

OCR10-M55400

Fig.10. TOOL,LABEL & GASKET SET



No.	Lev.	Parts No.	Description	Q'ty						I	R
				(A)	(B)	(C)	(D)	(E)	(F)		
2	1	114299-07160	LABEL, DIESEL	1	1	1	1	1	1		
3	1	114299-07110	LABEL, YANMAR	1	1	1	1	1	1		
5	1	114299-07100	LABEL, AIR COOLED	1	1	1	1	1	1		
6	1	183250-07230	LABEL, OPERATION	1	1	1	1	1	1		
7	1	114299-07120	LABEL, CAUTION	1	1	1	1	1	1		
8	1	114299-07140	LABEL, HOW TO START	1	1	1	1	1	1		
9	1	714299-92600	GASKET SET	1	1	1	1	1	1		1
10	2	114299-01340	GASKET, HEAD	1	1	1	1	1	1		
11	2	114299-01380	O-RING	1	1	1	1	1	1		
12	2	114299-01410	GASKET, CRANK CASE	1	1	1	1	1	1		
13	2	114299-01840	GASKET	1	1	1	1	1	1		
14	2	114250-11340	SEAL, VALVE STEM	2	2	2	2	2	2		
15	2	114250-11460	GASKET, NOZZLE	1	1	1	1	1	1		
16	2	114299-12210	GASKET, AIR CLEANER	1	1	1	1	1	1		
17	2	114299-12200	GASKET	1	1	1	1	1	1		
18	2	114299-13200	GASKET, MUFFLER	1	1	1	1	1	1		
19	2	114250-11311	GASKET, BONNET	1	1	1	1	1	1		
20	2	114299-01950	O-RING, 18	2	2	2	2	2	2		
21	2	22190-160002	WASHER, SEAL 16	2	2	2	2	2	2		
22	2	24341-000224	O-RING, 1AS22.4	1	1	1	1	1	1		
23	2	114299-32570	O-RING	1	1	1	1	1	1		
24	1	114299-92590	BOX, TOOL	1	1	1	1	1	1		
25	2	114299-92600	BAG, TOOL	1	1	1	1	1	1		
26	2	114299-92710	WRENCH	1	1	1	1	1	1		
27	2	114299-92720	WRENCH	1	1	1	1	1	1		
28	2	114299-92730	DRIVER	1	1	1	1	1	1		
29	2	114299-92740	DIPSTICK	1	1	1	1	1	1		

Remarks  
(1)OPTIONAL

N:Old  $\frac{100}{100}$  New, Q:Old  $\frac{100}{100}$  New, R:Old  $\frac{100}{100}$  New, S:Old  $\frac{100}{100}$  New, W:Add, Z:Discontinued, F:Interchangeable by set, K:Q'ty Change  
Copyright (C) YANMAR CO., LTD. All Rights Reserved.

## Parts No. Index

Parts No.	Fig. No.	Ref. No.
104200-66820	5	42
104200-66831	5	43
104200-66850	5	44
105198-07120	9	36
105300-55080	8	3
105425-01690	1	40
		49
105546-51020	7	2
105546-51330	7	13
106100-77620	9	39
106100-77630	9	40
114250-01452	1	29
114250-02100	1	31
114250-02113	1	46
114250-02200	1	38
114250-02210	1	39
114250-03591	2	36
114250-03640	2	39
114250-11101	2	5
114250-11113	2	6
114250-11180	2	8
114250-11240	2	21
		26
114250-11290	2	11
114250-11311	2	33
	10	19
114250-11340	2	14
	10	14
114250-11460	2	16
	10	15
114250-11600	2	18
114250-11651	2	19
114250-12300	3	9
114250-12520	3	3
114250-12530	3	4
114250-12550	3	8
114250-12560	3	5
114250-12570	3	2
114250-12581	3	6
114250-14200	4	7
114250-14451	4	9
114250-32010	5	1
114250-35250	5	17
114250-35271	5	18
114250-45301	6	30
114250-45330	6	6
114250-51080	7	3
114250-51160	7	4
114250-51300	7	10
114250-51340	7	14

Parts No.	Fig. No.	Ref. No.
114250-51400	7	5
114250-51600	7	16
114250-51640	7	17
114250-51650	7	18
114250-53001	7	22
114250-53080	7	25
114250-53120	7	26
114250-53130	7	27
114250-53140	7	28
114250-53210	7	29
114250-53300	7	30
114250-53331	7	33
114250-53400	7	34
114250-55100	8	5
114250-55121	8	11
114250-55130	8	12
114250-55150	8	9
114250-55301	8	16
114250-59060	8	27
114250-59800	8	28
114250-66440	5	41
114250-66550	5	50
114250-76251	6	11
114250-76510	6	13
114250-76590	6	27
114250-76620	6	25
114251-21600	4	28
114260-01455	1	28
114260-76251	6	10
114260-76520	6	12
114268-13500	3	18
114268-13700	3	22
114268-59061	8	25
114270-01600	1	15
114270-59010	8	24
114288-55041	8	6
114288-55081	8	8
114299-01010	1	1
114299-01200	1	8
114299-01210	1	9
114299-01220	1	10
114299-01230	1	11
114299-01340	1	13
	10	10
114299-01380	1	14
	10	11
114299-01410	1	27
	10	12
114299-01760	1	41
114299-01800	1	16

Parts No.	Fig. No.	Ref. No.
114299-01830	1	22
114299-01840	1	23
	10	13
114299-01950	1	43
	10	20
114299-02030	1	45
114299-02220	1	47
114299-07100	10	5
114299-07110	10	3
114299-07120	10	7
114299-07140	10	8
114299-07160	10	2
114299-11120	2	7
114299-11901	2	29
114299-11950	2	34
114299-12010	3	10
114299-12200	3	11
	10	17
114299-12210	3	1
	10	16
114299-13200	3	15
	10	18
114299-13520	3	19
114299-13700	3	23
114299-13800	3	27
114299-21220	4	23
114299-21400	4	24
114299-21440	4	25
114299-21550	4	72
114299-21570	4	26
114299-22300	4	39
114299-32070	5	7
114299-32570	5	8
	10	23
114299-35100	5	12
114299-35110	5	11
114299-35150	1	35
114299-45110-1	6	3
114299-45210	6	1
114299-45310	6	5
114299-55201	8	13
114299-55210	8	14
114299-55230	8	15
114299-55450	8	10
114299-61190	5	36
114299-61210	5	29
114299-61600	5	34
114299-66010	5	60
114299-66200	5	49
114299-92590	10	24

Parts No.	Fig. No.	Ref. No.
114299-92600	10	25
114299-92710	10	26
114299-92720	10	27
114299-92730	10	28
114299-92740	10	29
114350-11470	2	17
114351-77011	9	1
114351-77500	9	35
114351-77520	9	37
114351-77540	9	32
114351-77700	9	41
114370-45351	6	7
114371-77110	9	2
114371-77130	9	5
114371-77140	9	6
114371-77151	9	12
114371-77160	9	7
114371-77170	9	13
114371-77180	9	14
114371-79040	9	8
114371-79050	9	9
114371-79060	9	10
114371-79070	9	17
114385-77400	9	28
114399-01700	1	4
114399-78260	9	21
114399-78730	9	22
114399-78740	9	23
114650-55810	8	18
114770-07450	3	7
114770-11020	2	1
114770-23100	4	46
114770-59030	8	23
114770-61520	5	33
114770-61610	5	35
114770-66550	5	51
114771-14260	4	8
114778-45100-2	6	4
119226-77650	9	11
119260-11370	2	15
		28
119265-23200	4	43
119660-77710	9	29
124195-77770	9	16
124298-77020	9	15
124550-51350	7	15
124722-59050	8	26
124950-01250	1	12
129100-61850	6	31
135210-61090	5	58

## Parts No. Index

Parts No.	Fig. No.	Ref. No.
160210-02220	1	48
160260-76520	6	14
160260-76530	6	15
160260-76540	6	16
160260-76550	6	17
160260-76560	6	18
160260-76570	6	20
160260-76580	6	21
160260-76590	6	22
160260-76600	6	23
160260-76630	6	26
160290-76570	6	19
160310-14550	4	74
160642-21150	4	75
160642-21250	4	77
160710-78710	9	24
183250-07230	10	6
183250-66050	5	40
183250-66070	5	38
183250-66100	5	39
183250-66500	5	37
22117-080000	8	19
22190-160002	1	44
	10	21
22252-000190	4	40
22312-030160	2	41
	5	9
22322-030200	5	25
	26	
22351-020006	7	19
22351-030008	7	20
22351-040008	2	10
22451-060000	5	59
22512-040120	4	73
22512-050300	4	76
23414-080000	8	4
23876-010000	1	34
24101-062020	4	47
24101-062050	1	51
24162-152112	1	6
24341-000150	8	17
24341-000224	5	15
	10	22
26023-040102	9	34
26106-060082	3	24
	25	
	6	28
26106-060122	3	26
	5	19

Parts No.	Fig. No.	Ref. No.
26106-060122	6	2
		29
	9	25
		30
26106-060162	5	16
	8	22
26106-060202	9	26
		31
26106-060252	1	36
	3	12
26106-060452	5	47
26106-060552	2	44
26106-080122	1	7
26106-080202	4	78
26106-080352	1	37
26106-080452	2	30
	8	20
26106-100122	1	5
26106-100302	9	19
26216-080182	3	16
26226-060142	3	13
26226-060182	1	24
26226-060222	1	25
26226-060502	2	31
26226-060552	3	14
26306-080002	3	17
26366-060002	1	26
	2	32
	8	21
26476-060142	5	10
		48
26577-060142	9	27
26696-100002	5	45
26716-080002	9	20
26757-060002	5	46
26776-100002	5	57
26856-060002	2	22
		27
27310-055001	2	9
29220-083200	9	42
29411-200000	9	33
714250-22503	4	33
714250-22543	4	52
714250-22551	4	60
714250-51400	7	1
714250-53101	7	21
714250-61500	5	20
714250-61501	5	20 -1
714270-11660	2	23
714270-22581	4	57

Parts No.	Fig. No.	Ref. No.
714270-22621	4	49
714270-22721	4	30
714278-21710	4	13
714280-22581	4	56
714280-22621	4	48
714280-22721	4	29
714288-21700	4	10
714288-21730	4	11
714288-21760	4	12
714299-14580	4	1
714299-55300	8	1
714299-61700	5	27
714299-92600	10	9
714770-14670	4	2
714770-23600	4	44
714770-23610	4	64
714770-23620	4	66
714770-28511	4	68
71477G-23700	4	41
X2114274200	9	18
X2114715500	9	4
X2114811000	9	3

Parts No.	Fig. No.	Ref. No.
-----------	----------	----------