

OCR10-M33502EN

Directions for the Parts Catalog.

1. This Parts Catalog shows both standard and optional parts.
2. Parts may change without prior notice.
3. The following is an example of the Parts Catalog format.

REF.	LEV.	PARTS NO.	DESCRIPTION	Q'TY						I	R
				(A)	(B)	(C)	(D)	(E)	(F)		
1	1	729595-51390	FUEL INJECTION PUMP	1	1	1	1	1			1
1-1	1	729595-51391	FUEL INJECTION PUMP	1	1	1	1	1		N	1
		(A=E00185) (B=E00200)									
3	2	26022-060162	SCREW M 6X 16	9	9	9	9	9			
3-1	2	26022-060162	SCREW M 6X 16	4	4	4	4	4		K	
		(A=E00156) (B=E00156) (C=E00156) (D=E00156) (E=E00156)									
4	2	129470-51040	CAMSHAFT	1	1	1	1	1			
5	2	122710-51050	BEARING, ROLLER	2	2	2	2	2			
6	2	129470-51060	RETAINER	1	1	1	1	1			

Remarks
(1) BOOST COMPEMSATOR TYPE. OPTIONAL PART, TO E00155,(4JH-DT, 4JH-DTZ

① Ref. No.

The Ref. No. listed may not be in accordance with the illustration Ref. No.

(Ex.) Illustration No.

List Ref No.

1 1 (Before change) → 1-1 (After change)

For interchangeable symbols N, R and K, illustrations for new parts may be abbreviated.

② Lev. (Level)

Level indication

The numbers below indicate the level of relativity towards the main part.

1 ---- Main parts (Assembly parts)

2 ---- Sub component included in " 1 ".

3 ---- Sub component included in " 2 ".

Note) Parts that are not for sale are partially illustrated but not listed.

③ Interchangeability Symbol

When a part change takes place, one of the following interchangeability symbols is indicated beside the part.

Symbol	Interchangeability	Contents note
N	Old $\begin{matrix} \leftarrow \text{Yes} \\ \text{No} \rightarrow \end{matrix}$ New	New Part is interchangeable for Old Part but Old Part is not interchangeable for New Part.
Q	Old $\begin{matrix} \leftarrow \text{No} \\ \text{Yes} \rightarrow \end{matrix}$ New	New Part is not interchangeable for Old Part but Old Part is interchangeable for New Part.
R	Old $\begin{matrix} \leftarrow \text{Yes} \\ \text{Yes} \rightarrow \end{matrix}$ New	New/ Old Parts are both interchangeable.
S	Old $\begin{matrix} \leftarrow \text{No} \\ \text{No} \rightarrow \end{matrix}$ New	New/ Old Parts are both not interchangeable.
W		Part newly added.
Z		Part discontinued.
F		Not interchangeable by a single part but interchangeable together with related parts.
K		Changes only for used parts quantities.

④ Effective Machine No.

When a part changes, the effective Machine No. will be indicated in the (A)-(F) column.

Product Symbol	Product No.	Product Symbol	Product No.
C	Clutch No. Compressor No.	F	Machine No. (Agricultural Equip.)
D	Drive No.	M	Machine No.
E	Engine No.		

Note 1) A date may follow the symbol. (Ex.) 1996.01

Note 2) "XXXXX" and "ZZZZZ" are for parts that could not be predicted or for engine models that could not be identified.

Note 3) (A=E00185) is the E (Engine Serial Number) for the column (A) model (in this case 4JH-DT) after the parts design change.

⑤ Remarks

Figures or alphabets (symbols) are entered in the remarks column.

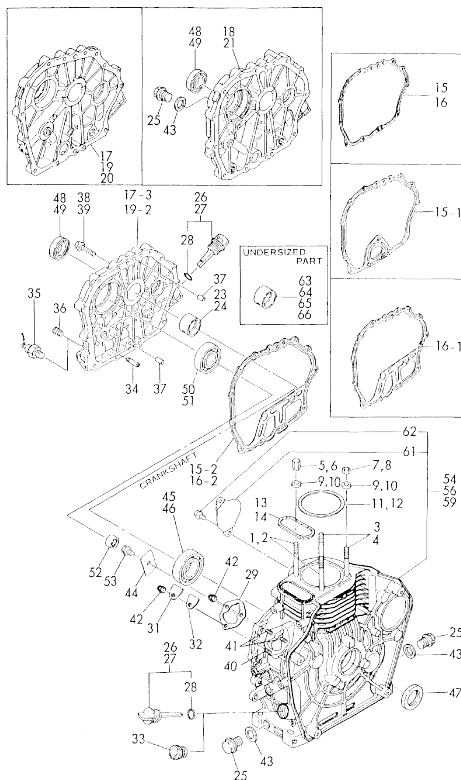
The comments (remarks) on parts that are indicated at the bottom of the illustration are the same symbols as those stated above.

Contents

Fig. No.	Fig. Name	Fig. No.	Fig. Name
L40E-90E-D/S			
1.	CYLINDER BLOCK		
2.	CYLINDER HEAD & BONNET		
3.	AIR CLEANER & SILENCER		
4.	CAM/CRANK/BARANCER SHAFT		
5.	PISTON & ROD		
6.	L.O. DEVICE & GOVERNOR CONTROL		
7.	COOLING & RECOIL STARTER		
8.	FUEL INJECTION PUMP & VALVE		
9.	FUEL TANK & FUEL PIPE		
10.	STARTING MOTOR & DYNAMO		
11.	TOOLS / LABELS & GASKET SET		

Fig.1. CYLINDER BLOCK

Fig.1 CYLINDER BLOCK



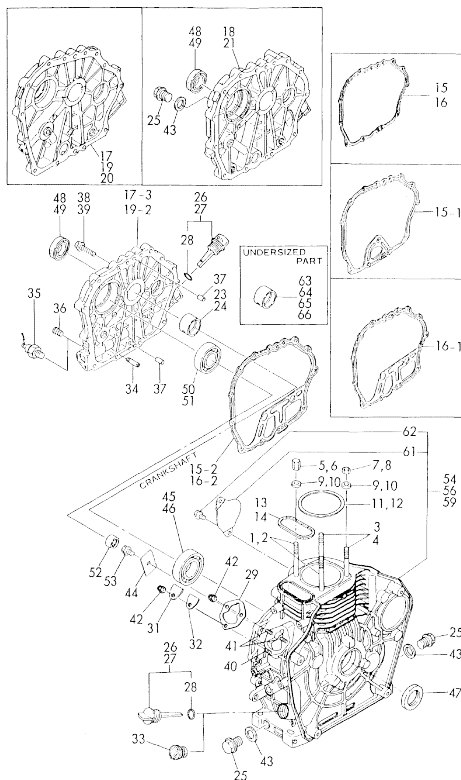
Remarks
 (Y) FOR L60E-DF/DP
 (P) UNDER SIZED PART
 (M) FOR L40E/60E-DGMO & -DEGMO
 (#) FOR L60E-DDP/DGMO/DP/
 (W) FOR L60E-SF/SEF
 (%) FOR L60E-DE/SE & L60E-DEGMO

No.	Lev.	Parts No.	Description	Qty						I	R	
				(A)	(B)	(C)	(D)	(E)	(F)			
1	1	114250-01200	BOLT, HEAD		2	2						
2	1	114350-01200	BOLT, HEAD					2	2			
3	1	114250-01210	BOLT, HEAD		2	2						
4	1	114350-01210	BOLT, HEAD						2	2		
5	1	114250-01220	NUT, CYLINDER HEAD		2	2						
6	1	114350-01220	NUT, CYLINDER HEAD						2	2		
7	1	114250-01250	NUT, CAP		2	2						
8	1	114350-01250	NUT, CYLINDER HEAD					2	2			
9	1	124950-01250	WASHER		4	4						
10	1	105225-01240	WASHER					4	4			
11	1	114250-01340	GASKET, HEAD		1	1						
12	1	114350-01340	GASKET, HEAD					1	1			
13	1	114250-01380	O-RING		1	1						
14	1	114350-01380	O-RING					1	1			
15	1	114250-01410	GASKET, CRANK CASE		1	1						
15-1	1	114250-01411 (A=E00737)	GASKET, CRANK CASE (B=E19979)		1	1						N
15-2	1	114250-01412	GASKET, CRANK CASE			1						S
16	1	114350-01410 (A=E58518)	GASKET, CRANK CASE					1	1			
16-1	1	114350-01411	GASKET, CRANK CASE					1	1			N
16-2	1	114350-01412	GASKET, CRANK CASE (D=E00583) (E=E23894) (D=E58266)						1			S
17	1	114260-01450	COVER, CRANK CASE		1							
17-1	1	114260-01451 (A=E00737)	COVER, CRANK CASE		1							S
17-2	1	114260-01452 (A=E53411)	COVER, CRANK CASE			1						N
17-3	1	114260-01453	COVER, CRANK CASE			1						S
18	1	114250-01450 (A=E58518)	COVER, CRANK CASE			1						
18-1	1	114250-01451 (B=E19979)	COVER, CRANK CASE (B=E53440)			1						S
18-2	1	114250-01452	COVER, CRANK CASE					1				N
19	1	114368-01450	COVER, CRANK CASE						1			
19-1	1	114368-01451 (D=E00583)	COVER, CRANK CASE						1			S
19-2	1	114368-01452 (D=E58266)	COVER, CRANK CASE						1			S
20-1	1	114360-01450	COVER, CRANK CASE						1			Y
20-2	1	114360-01451 (D=E00583)	COVER, CRANK CASE						1			S Y
20-3	1	114360-01452 (D=E51459)	COVER, CRANK CASE (D=E58266)						1			N Y
20-4	1	114360-01453	COVER, CRANK CASE						1			S Y
21	1	114350-01450	COVER, CRANK CASE							1		
21-1	1	114350-01451 (E=E23894)	COVER, CRANK CASE							1		S

N:Old $\frac{New}{Old}$ New, Q:Old $\frac{New}{Old}$ New, R:Old $\frac{New}{Old}$ New, S:Old $\frac{New}{Old}$ New, W:Add, Z:Discontinued, F:Interchangeable by set, K:Qty Change
 ++ CONTINUE ++
 Copyright (C) YANMAR CO., LTD. All Rights Reserved.

Fig.1. CYLINDER BLOCK

Fig.1 CYLINDER BLOCK

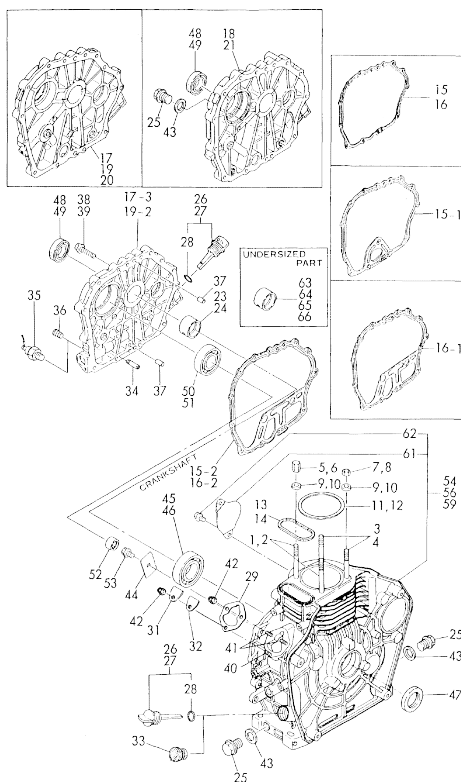


Remarks
 (Y) FOR L60E-DF/DP
 (P) UNDER SIZED PART
 (M) FOR L40E/60E-DGMO & -DEGMO
 (#) FOR L60E-DDP/DGMO/DP/
 (W) FOR L60E-SF/SEF
 (%) FOR L60E-DE/SE & L60E-DEGMO

No.	Lev.	Parts No.	Description	Q'ty						I	R
				(A)	(B)	(C)	(D)	(E)	(F)		
21-2	1	114350-01452	COVER, CRANK CASE						1		N
				(E=E54071)							
23	1	114250-02100	BEARING, MAIN	1	1						
24	1	114350-02100	BEARING, MAIN					1	1		
25	1	105425-01690	PLUG, 16	2	3			2	3		
26	1	114250-01740	CAP ASSY, L72	2	2						
26-1	1	160710-01760	CAP ASSY, L82	2	2						S
				(A=E00737) (B=E19979)							
27	1	160710-01740	CAP ASSY, L87						2	2	
27-1	1	160910-01740	CAP ASSY						2	2	S
				(D=E00583) (E=E23894)							
28	2	24311-000180	O-RING, 1AP18.0	2	2			2	2		
29	1	114250-01800	SHIM SET	1	1			1	1		
31	1	114250-01830	COVER	1	1			1	1		
32	1	114250-01840	GASKET	1	1			1	1		
33	1	160110-01870	PLUG, RUBBER	1	1			1	1		
34	1	114250-35150	PIPE, OIL INLET	1	1			1	1		W
				(A=E58518) (D=E58266)							
35	1	183250-39450	SWITCH, 1.0KG	1				1			M
36	1	23871-010000	PLUG, R01	1				1			
37	1	22312-080120	PIN, PARALLEL M8X12	2	2			2	2		
38	1	26106-060252	BOLT, M6X 25 PLATED	14	14						
39	1	26106-080352	BOLT, M8X 35 PLATED	1	1			15	15		
40	1	26226-060182	STUD, M6X 18	1	1			1	1		
41	1	26226-060222	STUD, M6X 22	2	2			2	2		
42	1	26366-060002	NUT, M6	3	3			3	3		
43	1	43400-500490	SEAL WASHER 16	4	3			4	3		
44	1	114250-02030	RETAINER, BEARING	1	1			1	1		
45	1	114250-02112	BEARING, HR6206G3C3	1	1			1	1		
45-1	1	114250-02113	BEARING, HR6306G3C3	1	1						S
				(A=50001) (B=50001)							
46	1	114350-02112	BEARING, HR6207G3C3						1	1	
46-1	1	114350-02113	BEARING, B35-135G3C3						1	1	S
				(D=E50001) (E=E50001)							
47	1	160110-02220	SEAL, OIL	1	1			1	1		
48	1	160210-02220	SEAL, 25X41.2X8	1	1						
49	1	160110-02220	SEAL, OIL						1	1	
50	1	24101-062050	BEARING, BALL 6205C3	1	1						
51	1	24101-062060	BEARING, BALL 6206C3							1	1
52	1	24162-152112	BEARING, 152112	1	1			1	1		
53	1	26106-080122	BOLT, M8X 12 PLATED	1	1			1	1		
54-2	1	114250-99100	BLOCK ASSY, CYLINDER	1	1						N
				(A=00001) (B=00001)							
54-3	1	714251-01562	BLOCK ASSY, CYLINDER	1	1						S
				(A=50001) (B=50001)							
54-4	1	714251-01563	BLOCK ASSY, CYLINDER	1	1						N
				(A=E53411) (B=E53440)							
56-2A	1	114350-99100	BLOCK ASSY, CYLINDER						1	1	N #
				(D=00001) (E=00001)							
56-2B	1	114350-99110	BLOCK ASSY, CYLINDER						1	1	N %
				(D=00001) (E=00001)							

Fig.1. CYLINDER BLOCK

Fig. 1 CYLINDER BLOCK

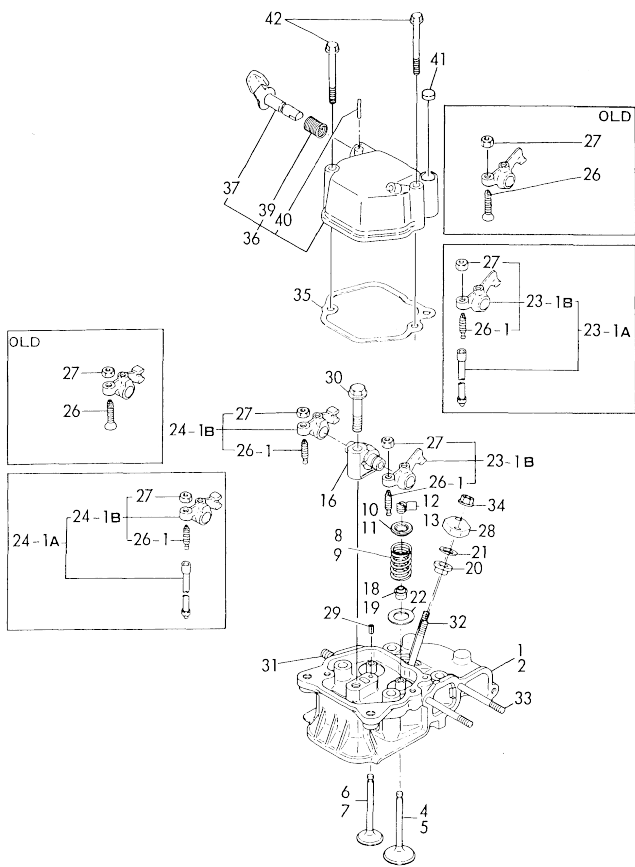


No.	Lev.	Parts No.	Description	Q'ty						I	R	
				(A)	(B)	(C)	(D)	(E)	(F)			
56-2C	1	114350-99120	BLOCK ASSY, CYLINDER (D=E50001)		(E=E50001)		1	1			N	W
59	1	714351-01563	BLOCK ASSY, CYLINDER (D=E50001)		(E=E50001)		1	1			S	#
59-1	1	714351-01564	BLOCK ASSY, CYLINDER (D=E51459)		(E=E54071)		1	1			N	#
61	2	114350-01700	COVER	1	1		1	1				
62	2	26106-100122	BOLT, M10X 12 PLATED	2	2		2	2				
63	1	114250-02200	BEARING, 0.25 US	1	1							P
64	1	114350-02200	BEARING, 0.25 US				1	1				P
65	1	114250-02210	BEARING, 0.50 US	1	1							P
66	1	114350-02210	BEARING, 0.50 US				1	1				P

Remarks
 (Y) FOR L60E-DF/DP
 (P) UNDER SIZED PART
 (M) FOR L40E/60E-DGMO & -DEGMO
 (#) FOR L60E-DDP/DGMO/DP/
 (W) FOR L60E-SF/SEF
 (%) FOR L60E-DE/SE & L60E-DEGMO

Fig.2. CYLINDER HEAD & BONNET

Fig. 2 CYLINDER HEAD & BONNET

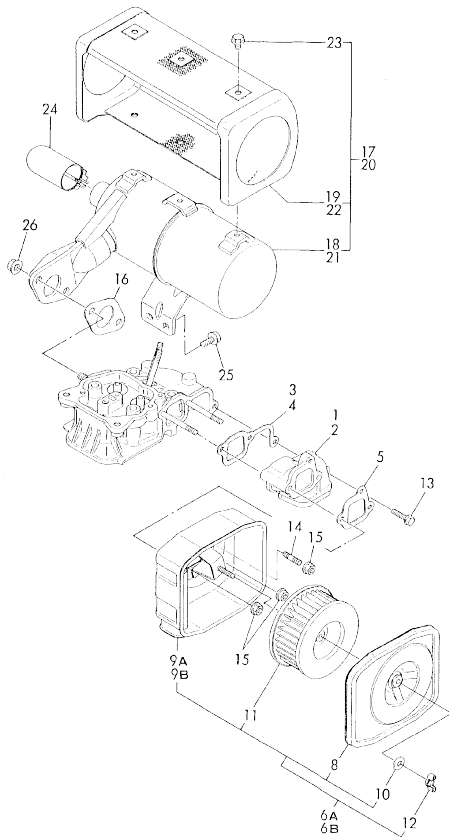


No.	Lev.	Parts No.	Description	Q'ty						I	R
				(A)	(B)	(C)	(D)	(E)	(F)		
1	1	114250-11020	HEAD ASSY, CYLINDER								
2	1	114350-11020	HEAD ASSY, CYLINDER	1	1						
2-1	1	114350-11021	HEAD ASSY, CYLINDER				1	1			N
			(D=E51459)				(E=E54071)				
4	1	114250-11101	VALVE, INTAKE	1	1						
5	1	114350-11101	VALVE, INTAKE					1	1		
6	1	114250-11112	VALVE, EXHAUST	1	1						
7	1	114350-11112	VALVE, EXHAUST					1	1		
8	1	114250-11120	SPRING, VALVE	2	2						
9	1	114350-11120	SPRING, VALVE					2	2		
10	1	114250-11180	RETAINER, SPRING	2	2						
11	1	101158-11180	RETAINER, SPRING					2	2		
12	1	714250-11570	COTTER ASSY	2	2						
13	1	27310-060001	COTTER, 6					2	2		
16	1	114250-11290	SUPPORT, ROCKER ARM	1	1			1	1		
18	1	114250-11340	SEAL, VALVE STEM	2	2						
19	1	114350-11340	SEAL, VALVE STEM					2	2		
20	1	114250-11460	GASKET, NOZZLE	1	1			1	1		
21	1	114350-11470	SPACER, NOZZLE	1	1			1	1		
22	1	114250-11600	WASHER	2	2			2	2		
23-1A	1	114350-11780	ARM, ROCKER	1	1			1	1		N
		(A=00001)	(B=00001)				(D=00001)	(E=00001)			
23-1B	1	114250-11651	ARM, ROCKER	1	1			1	1		S
		(A=E01037)	(B=E22349)				(D=E00602)	(E=E25981)			
24-1A	1	114350-11790	ARM, ROCKER	1	1			1	1		N
		(A=00001)	(B=00001)				(D=00001)	(E=00001)			
24-1B	1	114250-11661	ARM, ROCKER	1	1			1	1		S
		(A=E01037)	(B=E22349)				(D=E00602)	(E=E25981)			
26	2	105025-11230	SCREW, VALVE ADJUST	2	2			2	2		
26-1	2	114250-11240	SCREW, VALVE ADJUST	2	2			2	2		S
		(A=E01037)	(B=E22349)				(D=E00602)	(E=E25981)			
27	2	26756-060002	NUT, LOCK M6	2	2			2	2		
28	1	114250-11900	RETAINER, NOZZLE	1	1			1	1		
29	1	22351-040008	PIN, SPRING 4.0X 8	1	1			1	1		
30	1	26106-080452	BOLT, M8X 45 PLATED	1	1			1	1		
31	1	26216-080182	STUD, M8X 18	2	2			2	2		
32	1	26226-060502	STUD, M6X 50	2	2			2	2		
33	1	26226-060552	STUD, M6X 55	2	2			2	2		
34	1	26366-060002	NUT, M6	2	2			2	2		
35	1	114250-11310	GASKET, BONNET	1	1			1	1		
36	1	114250-11951	BONNET ASSY, HEAD	1	1			1	1		
37	2	114250-03591	LEVER ASSY	1	1			1	1		
39	2	114250-03640	SPRING, DECOMPRESSION	1	1			1	1		
40	2	22312-030160	PIN, PARALLEL M3X16	1	1			1	1		
41	1	129100-61850	PLUG, 12	1	1			1	1		
42	1	26106-060552	BOLT, M6X 55 PLATED	2	2			2	2		

N:Old $\frac{New}{Old}$ New, Q:Old $\frac{New}{Old}$ New, R:Old $\frac{New}{Old}$ New, S:Old $\frac{New}{Old}$ New, W:Add, Z:Discontinued, F:Interchangeable by set, K:Q'ty Change
 Copyright (C) YANMAR CO., LTD. All Rights Reserved.

Fig.3. AIR CLEANER & SILENCER

Fig.3 AIR CLEANER & SILENCER

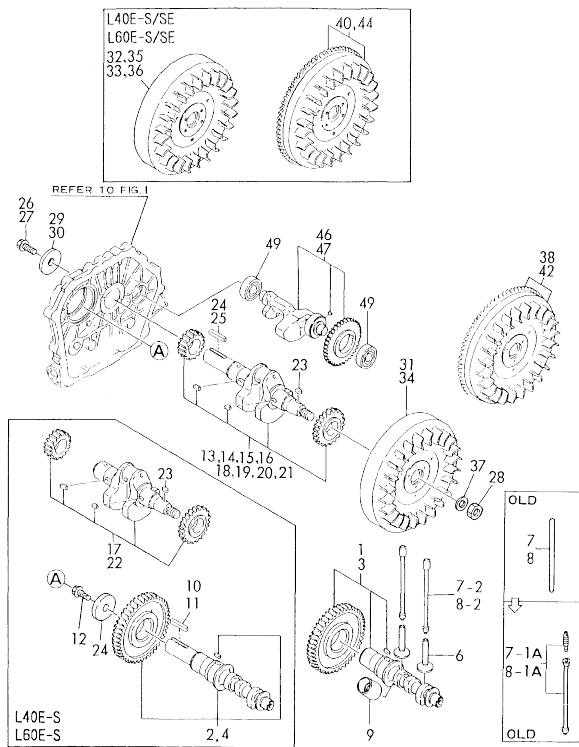


No.	Lev.	Parts No.	Description	Q'ty						I	R
				(A)	(B)	(C)	(D)	(E)	(F)		
1	1	114250-12010	PIPE, AIR INTAKE								
2	1	114350-12010	PIPE, AIR INTAKE				1	1			
2-1	1	114350-12011	PIPE, AIR INTAKE				1	1			N
3	1	114250-12200	GASKET	(D=E51459)	(E=E54071)						
4	1	114350-12200	GASKET				1	1			
4-1	1	114350-12201	GASKET				1	1			N
5	1	114250-12210	GASKET, AIR CLEANER	(D=50001)	(E=E54071)		1	1			
6A	1	714250-12560	CLEANER ASSY, AIR				1	1	1	1	
6B	1	714268-12581	CLEANER ASSY, AIR				1				V
8	3	114250-12520	COVER, AIR CLEANER				1	1	1	1	
9A	3	114250-12530	CASE ASSY, CLEANER				1	1	1	1	
9B	3	114250-12980	CASE ASSY, CLEANER				1				V
10	3	114250-12560	WASHER, SEAL M6				1	1	1	1	
11	3	114250-12580	ELEMENT				1	1	1	1	
12	2	114250-12550	NUT, WING M6				1	1	1	1	
13	1	26106-060252	BOLT, M6X 25 PLATED				1	1	2	2	
14	1	26226-060142	STUD, M6X 14				1	1	1	1	
15	1	26366-060002	NUT, M6				3	3	3	3	
16	1	114250-13200	GASKET, MUFFLER				1	1	1	1	
17	1	114250-13521	MUFFLER ASSY				1	1			
18	2	114250-13531	MUFFLER ASSY				1	1			
19	2	114250-13701	COVER, SILENCER				1	1			
20	1	114350-13522	SILENCER ASSY						1	1	
20-1	1	114350-13523	MUFFLER	(D=E51459)	(E=E54071)				1	1	N
21	2	114350-13532	MUFFLER						1	1	
21-1	2	114350-13533	MUFFLER	(D=E51459)	(E=E54071)				1	1	N
22	2	114350-13702	COVER						1	1	
22-1	2	114350-13703	COVER	(D=E51459)	(E=E54071)				1	1	N
23	2	26106-060082	BOLT, M6X 8 PLATED				6	6	6	6	
24	1	114268-13800	PIPE				1	1	1	1	
25	1	26106-060122	BOLT, M6X 12 PLATED				2	2	2	2	
26	1	26366-080002	NUT, M8				2	2	2	2	

Remarks
(V) FOR L40E-DV

Fig.4. CAM/CRANK/BARANCER SHAFT

Fig.4 CRANKSHAFT & CAMSHAFT



L40E-D/L60E-D
CRANK SHAFT

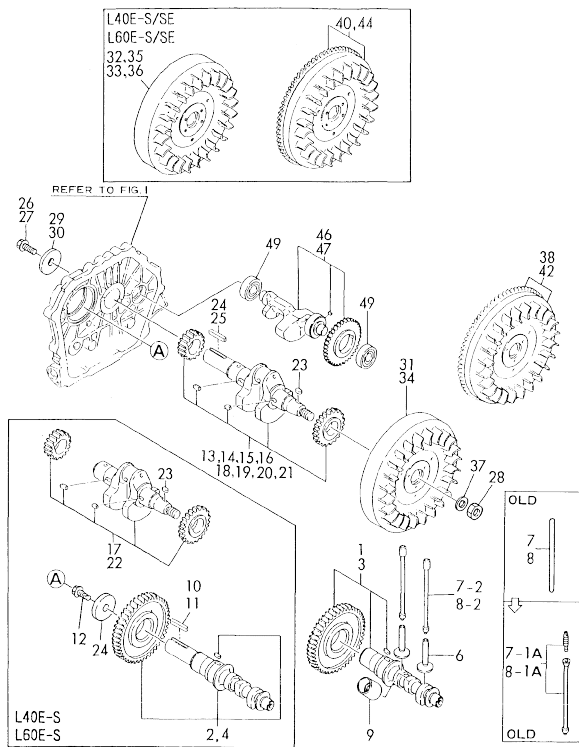
Ref. No.	MAGNIFIED AXIAL END	SCREW SIZE	KEY SIZE	Ref. No.	MAGNIFIED AXIAL END	SCREW SIZE
13		M8 x 1.25	5 x 30	15		3/4-16UNF
14		M8 x 1.25	7 x 36	20		1"-14UNF
18		5/16-24UNF	4.7 x 30	16		5/16-24UNF
19		7/16-20UNF	6.3 x 50	21		5/16-24UNF

No.	Lev.	Parts No.	Description	Q'ty						I	R
				(A)	(B)	(C)	(D)	(E)	(F)		
1	1	714260-14581	CAMSHAFT ASSY								
2	1	714250-14581	CAMSHAFT ASSY	1							
3	1	714360-14580	CAMSHAFT ASSY		1						
4	1	714350-14580	CAMSHAFT ASSY						1		
6	1	114250-14200	TAPPET					2		2	
7	1	114250-14400	ROD, PUSH					2		2	
7-1A	1	114250-14900	ROD, PUSH					2		2	N
7-2	1	114250-14450	ROD ASSY, PUSH					2		2	S
8	1	114350-14400	ROD, PUSH						2	2	
8-1A	1	114350-14900	ROD, PUSH						2	2	N
8-2	1	114350-14450	ROD ASSY, PUSH						2	2	S
9	1	114250-14260	TAPPET	1	1			1	1		
10	1	22512-050300	KEY, 5X 30			1					
11	1	22512-070360	KEY, 7X 36							1	
12	1	26106-080202	BOLT, M8X 20 PLATED			1			1		
13	1	714268-21850	CRANKSHAFT ASSY	1							N
13-1	1	714260-21730	CRANKSHAFT ASSY	1							
14	1	714268-21700	CRANKSHAFT ASSY	1							
15	1	714268-21760	CRANKSHAFT ASSY	1							
16	1	714268-21730	CRANKSHAFT ASSY	1							
17	1	714250-21701	CRANKSHAFT ASSY		1						
18	1	714360-21730	CRANKSHAFT ASSY							1	
19	1	714368-21700	CRANKSHAFT ASSY							1	
20	1	714368-21760	CRANKSHAFT ASSY							1	
21	1	714368-21730	CRANKSHAFT ASSY							1	
22	1	714350-21701	CRANKSHAFT ASSY								1
23	1	22512-040120	KEY, 4X 12		1	1			1	1	
24	1	160642-21150	KEY, 4.7X30		1						
25	1	160842-21150	KEY, 6.3X50							1	
26	1	160642-21250	BOLT, 5/16-24UNF		1						
27	1	160842-21250	BOLT, 7/16-20UNF							1	
28	1	103854-01221	NUT, CYLINDER HEAD		1	1			1	1	
29	1	160310-14550	WASHER		1	1				1	
30	1	160842-21260	WASHER							1	
31	1	114260-21400	FLYWHEEL		1						
31-1	1	114260-21401	FLYWHEEL		1						N
32	1	114250-21400	FLYWHEEL						1		
32-1	1	114250-21401	FLYWHEEL						1		N
33	1	114250-21410	FLYWHEEL						1		
33-1	1	114250-21411	FLYWHEEL						1		N
34	1	114360-21400	FLYWHEEL							1	
35	1	114350-21400	FLYWHEEL							1	
36	1	114350-21410	FLYWHEEL							1	
37	1	114250-21550	WASHER		1	1			1	1	

N:Old $\frac{New}{Old}$ New, Q:Old $\frac{New}{Old}$ New, R:Old $\frac{New}{Old}$ New, S:Old $\frac{New}{Old}$ New, W:Add, Z:Discontinued, F:Interchangeable by set, K:Q'ty Change
 ++ CONTINUE ++
 Copyright (C) YANMAR CO., LTD. All Rights Reserved.

Fig.4. CAM/CRANK/BARANCER SHAFT

Fig.4 CRANKSHAFT & CAMSHAFT



L40E-D/L60E-D
CRANK SHAFT

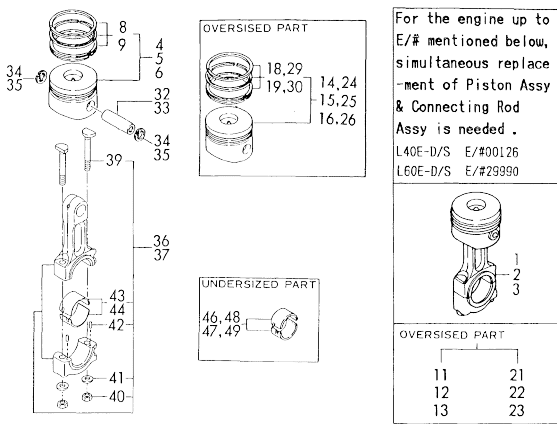
Ref. No.	MAGNIFIED AXIAL END	SCREW SIZE	KEY SIZE	Ref. No.	MAGNIFIED AXIAL END	SCREW SIZE
13		M8 x 1.25	5 x 30	15		3/4-16UNF
14		M8 x 1.25	7 x 36	20		1"-14UNF
18		5/16-24UNF	4.7 x 30	16		5/16-24UNF
19		7/16-20UNF	6.3 x 50	21		5/16-24UNF

No.	Lev.	Parts No.	Description	Q'ty						I	R
				(A)	(B)	(C)	(D)	(E)	(F)		
38	1	114262-21590	FLYWHEEL ASSY	1							
38-1	1	114262-21591	FLYWHEEL ASSY	1							N
				(A=E53411)							
40	1	114251-21590	FLYWHEEL ASSY		1						
40-1	1	114251-21591	FLYWHEEL ASSY		1						N
				(B=E53440)							
42	1	114362-21590	FLYWHEEL ASSY					1			
44	1	114351-21590	FLYWHEEL ASSY						1		
46	1	714250-28511	SHAFT ASSY, BALANCER	1	1						
47	1	714350-28511	SHAFT ASSY, BALANCER				1	1			
49	1	24101-062024	BEARING, BALL 6202	2	2		2	2			

N:Old $\frac{New}{Old}$ New, Q:Old $\frac{New}{Old}$ New, R:Old $\frac{New}{Old}$ New, S:Old $\frac{New}{Old}$ New, W:Add, Z:Discontinued, F:Interchangeable by set, K:Q'ty Change
Copyright (C) YANMAR CO., LTD. All Rights Reserved.

Fig.5. PISTON & ROD

Fig.5 PISTON & CONNECTING ROD



Part change notice and the effective engine number list.

MODEL	SIZE	ENG./#	PISTON & ROD ASSY.	PISTON W/R/GS	ROD ASSY	PIN, PISTON	CIRC-LIP
L40E-D/S	φ 17 x 22	00101 -00126	1, 11, 21	Order by a set of Piston & Rod Assy	32-1	34-1	
	φ 19 x 25	00127-		4-4A, 14-1A 24	36-3	32-2	34-2
L40E-D	↑	54311-		4-43, 14-1B 24-1	↑	↑	↑
L60E-D/S	φ 19 x 25	00101 -00122	2, 3, 12 13, 22, 23	Order by a set of Piston & Rod Assy	33	35	
	φ 21 x 25	00123 -29990			33-1	35-1	
	φ 21 x 28	50001-		5-5, 6-5, 15 16-1, 26, 27	37-3	↑	↑

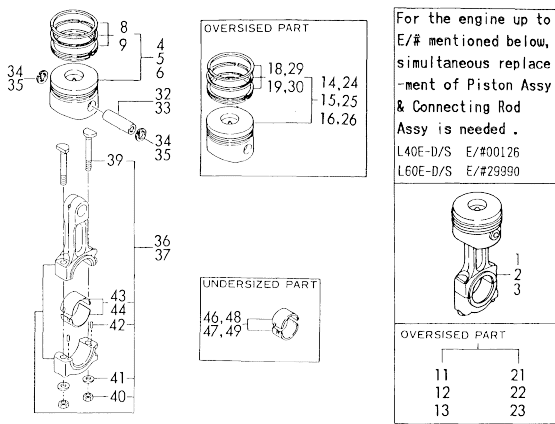
Remarks
(M) ORDER BY PISTON/ROD ASSY.
(#) OVERSIZED & UNDERSIZED PART

No.	Lev.	Parts No.	Description	Q'ty						I	R
				(A)	(B)	(C)	(D)	(E)	(F)		
1	1	714250-23781	ROD SET, W/PISTON		1						
2	1	714360-23781	ROD SET, W/PISTON				1				
3	1	714350-23781	ROD SET, W/PISTON					1			
4-1	1	714250-22721	PISTON ASSY		1						M
4-2	1	714250-22722	PISTON ASSY, 19-63		1	1					N
4-3	1	714250-22723	PISTON ASSY, 19-63		1	1					N
4-4A	1	714250-22724	PISTON ASSY, 19-63			1					N
4-4B	1	714260-22720	PISTON ASSY, D		1						S
5	1	714360-22720	PISTON ASSY, 19-70-25					1			M
5-1	1	714360-22721	PISTON ASSY, 21-70-25					1			S M
5-2	1	714360-22722	PISTON ASSY, 21-70-25					1			N M
5-3	1	714360-22723	PISTON ASSY, 21-70-25					1			N M
5-4	1	714360-22724	PISTON ASSY, 21-70-25					1			S
5-5	1	714360-22725	PISTON ASSY, 21-70-25					1			N
6-2	1	714350-22722	PISTON ASSY, 21-70-25						1		M
6-3	1	714350-22723	PISTON ASSY, 21-70-25						1		N M
6-4	1	714350-22724	PISTON ASSY, 21-70-25						1		N M
6-5	1	714350-22725	PISTON ASSY, 21-70-25						1		S
8	2	714250-22501	RING SET, PISTON		1	1					
8-1	2	714250-22502	RING SET, PISTON		1	1					N
9	2	714350-22501	RING SET, PISTON					1	1		
9-1	2	714350-22502	RING SET, PISTON					1	1		N
11	1	714250-23790	ROD SET, W/PISTON .25		1	1					#
12	1	714360-23790	ROD SET, W/PISTON .25					1			#
13	1	714350-23790	ROD SET, W/PISTON .25						1		#
14	1	714250-22620	PISTON ASSY, 0.25 OS		1	1					#
14-1A	1	714250-22624	PISTON ASSY, 0.25 OS			1					N
14-1B	1	714260-22620	PISTON ASSY, 0.25 OS		1						S
15	1	714360-22625	PISTON ASSY, 0.25 OS						1		#
16-1	1	714350-22625	PISTON ASSY, 0.25 OS						1		#
18	2	714250-22542	RING SET, 0.25 OS		1	1					#
19	2	714350-22542	RING SET, 0.25 OS						1	1	#
21	1	714250-23800	ROD SET, W/PISTON .50		1	1					#

N:Old New, Q:Old New, R:Old New, S:Old New, W:Add, Z:Discontinued, F:Interchangeable by set, K:Qty Change
++ CONTINUE ++
Copyright (C) YANMAR CO., LTD. All Rights Reserved.

Fig.5. PISTON & ROD

Fig.5 PISTON & CONNECTING ROD



Part change notice and the effective engine number list.

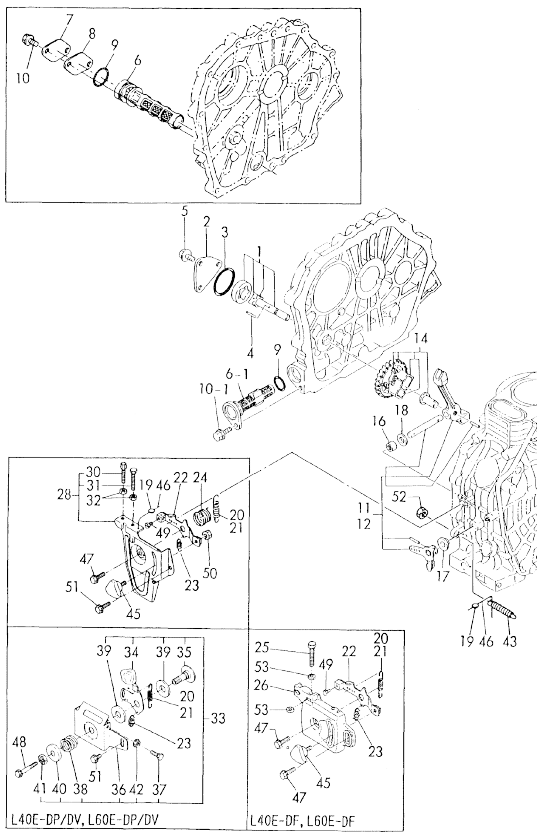
MODEL	SIZE	ENG./#	PISTON & ROD ASSY.	PISTON W/R/GS	ROD ASSY	PIN, PISTON	CIRC-LIP
L40E-D/S	φ17 x22	00101 -00126	1, 11, 21	Order by a set of Piston & Rod Assy	32-3	32-1	34-1
		00127-	4-4A, 14-1A 24			32-2	34-2
L40E-D	φ19 x25	54311-			↑	↑	↑
L60E-D/S	φ19 x25	00101 -00122	2, 3, 12 13, 22, 23	Order by a set of Piston & Rod Assy	33	33	35
		00123 -29990				33-1	35-1
		50001-	5-5, 6-5, 15 16-1, 26, 27			37-3	↑

Remarks
(M) ORDER BY PISTON/ROD ASSY.
(#) OVERSIZED & UNDERSIZED PART

No.	Lev.	Parts No.	Description	Qty						I	R		
				(A)	(B)	(C)	(D)	(E)	(F)				
22	1	714360-23800	ROD SET,W/PISTON .50								#		
23	1	714350-23800	ROD SET,W/PISTON .50								#		
24	1	714250-22580	PISTON ASSY, 0.50 OS		1	1			1		#		
24-1	1	714260-22580 (A=E53411)	PISTON ASSY, 0.50 OS		1						S	#	
25	1	714360-22580	PISTON ASSY, 0.50 OS						1		#		
26	1	714350-22580	PISTON ASSY, 0.50 OS							1	#		
29	2	714250-22550	RING SET, 0.50 OS		1	1					#		
30	2	714350-22550	RING SET, 0.50 OS						1	1	#		
32-1	1	114250-22301 (A=E00101)	PIN, PISTON		1								
32-2	1	114250-22302 (A=E00127)	PIN, PISTON D=19		1	1					S		
33	1	114350-22300	PIN, PISTON D=19							1			
33-1	1	114350-22301	PIN, PISTON D=21							1	1	S	
34-1	1	22252-000170 (A=E00101)	RING, 17			2							
34-2	1	22252-000190 (A=E00127)	RING, 19		2	2						S	
35	1	22252-000190	RING, 19							2			
35-1	1	22252-000210	RING, 21							2	2	S	
36-1	1	714250-23701 (A=E00101)	ROD ASSY, CONNECTING			1						M	
36-3	1	714250-23703 (A=E00127)	ROD ASSY, CONNECTING		1	1						S	
37-1	1	714350-23701	ROD ASSY, CONNECTING								1	M	
37-2	1	714350-23702	ROD ASSY, CONNECTING							1	1	S M	
37-3	1	714350-23704	ROD ASSY, CONNECTING								1	1	S
39	3	114250-23200	BOLT, CONNECTING ROD								2	2	
40	3	114250-23220	NUT							2	2	2	2
41	3	114250-23250	WASHER							2	2	2	2
42	3	22312-030080	PIN, PARALLEL M3X 8							2	2	2	2
43	2	714250-23600	BEARING, CRANK PIN							1	1		
44	2	714350-23600	BEARING, CRANK PIN								1	1	
46	1	714250-23610	BEARING ASSY, 0.25							1	1		#
47	1	714350-23610	BEARING ASSY, 0.25								1	1	#
48	1	714250-23620	BEARING, 0.50 US							1	1		#
49	1	714350-23620	BEARING, 0.50 US								1	1	#

Fig.6. L.O. DEVICE & GOVERNOR CONTROL

Fig.6 LUB. OIL PUMP & GOVERNOR



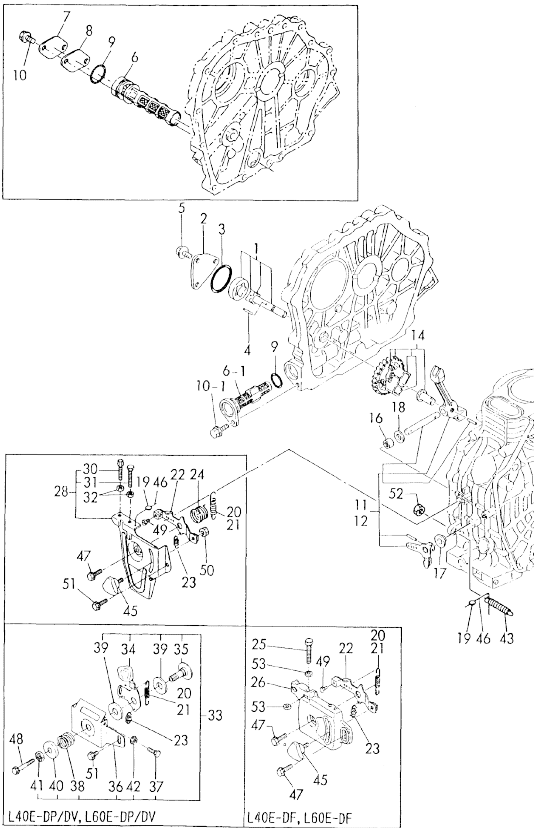
Remarks
 (Y) FOR L40E/60E-DF/SF
 (H) FOR L40E/60E-DP & L40E-DV

No.	Lev.	Parts No.	Description	Q'ty						I	R
				(A)	(B)	(C)	(D)	(E)	(F)		
1	1	114250-32010	PUMP ASSY, OIL	1	1		1	1			
2	1	114250-32070	COVER	1	1		1	1			
3	1	103338-32570	O-RING	1	1		1	1			
4	1	22312-030160	PIN, PARALLEL M3X16	1	1		1	1			
5	1	26476-060142	SCREW, TAPPING M6X14	3	3		3	3			
6	1	114250-35060	FILTER, OIL	1	1		1	1			
6-1	1	114250-35070	FILTER, OIL	1			1			S	
		(A=E58518)									
7	1	114250-35250	COVER (D=E56476)	1	1		1	1			
8	1	114250-35270	GASKET	1	1		1	1			
9	1	24341-000224	O-RING, 1AS22.4	1	1		1	1			
10	1	26106-060122	BOLT, M6X 12 PLATED	2	2		2	2			
10-1	1	26106-060162	BOLT, M6X 16 PLATED	1			1				
11	1	714250-61500	LEVER ASSY, GOVERNOR	1	1						
12	1	714350-61500	LEVER ASSY, GOVERNOR				1	1			
14	1	714250-61700	GOVERNOR ASSY	1	1		1	1			
16	1	121450-61520	BEARING, NEEDLE 8	2	2		2	2			
17	1	114250-61600	BUSH	1	1		1	1			
17-1	1	114250-61900	BUSH	1	1		1	1		N	
		(A=00101)									
18	1	22137-080000	WASHER, 8	1	1		1	1			
19	1	135210-61090	LEAD	2	2		2	2			
20	1	114250-66010	SPRING, REGULATOR	1	1						
21	1	114350-66011	SPRING, REGULATOR				1	1			
22	1	114250-66050	HANDLE, REGULATOR	1	1		1	1			
23	1	114250-66200	SPRING, RETURN	1	1		1	1			
24	1	114252-66252	SPRING, RETURN	1	1		1	1			
25	1	114250-66440	BOLT, ADJUSTING	1			1				
26	1	714250-66500	BRACKET ASSY, HANDLE	1			1			Y	
28	1	714268-66500	BRACKET ASSY, HANDLE	1	1		1	1			
30	3	102100-67080	BOLT, ADJUSTING	1	1		1	1			
31	3	114250-66440	BOLT, ADJUSTING	1	1		1	1			
32	2	26756-060002	NUT, LOCK M6	2	2		2	2			
33	1	183250-66500	BRACKET ASSY	1			1			H	
34	2	183250-66050	HANDLE, REGULATOR	1			1			H	
35	2	183250-66070	SHAFT, HANDLE	1			1			H	
36	2	183250-66100	BRACKET, RADIATOR	1			1			H	
37	2	114250-66440	BOLT, ADJUSTING	1			1			H	
38	2	104200-66820	SPRING	1			1			H	
39	2	104200-66830	PLATE, FRICTION	2			2			H	
40	2	104200-66850	WASHER	1			1			H	
41	2	26696-100002	NUT, LOCK M10	1			1			H	
42	2	26756-060002	NUT, LOCK M6	1			1			H	
43	1	114250-66550	LIMITER ASSY, FUEL	1	1		1	1			
45	1	160725-78350	KNOB	1	1		1	1			
46	1	22451-060000	WIRE, 0.6	2	2		2	2			
47	1	26106-060202	BOLT, M6X 20 PLATED	1	1		1	1			
48	1	26106-060452	BOLT, M6X 45 PLATED	1	1		1	1			
49	1	26116-040088	BOLT, M4X 8 PLATED	1	1		2	1			
50	1	26346-060002	NUT, M6	1	1		1	1			
51	1	26476-060142	SCREW, TAPPING M6X14	1	1		1	1			

N:Old $\frac{New}{Old}$ New, Q:Old $\frac{New}{Old}$ New, R:Old $\frac{New}{Old}$ New, S:Old $\frac{New}{Old}$ New, W:Add, Z:Discontinued, F:Interchangeable by set, K:Q'ty Change
 ++ CONTINUE ++
 Copyright (C) YANMAR CO., LTD. All Rights Reserved.

Fig.6. L.O. DEVICE & GOVERNOR CONTROL

Fig.6 LUB. OIL PUMP & GOVERNOR

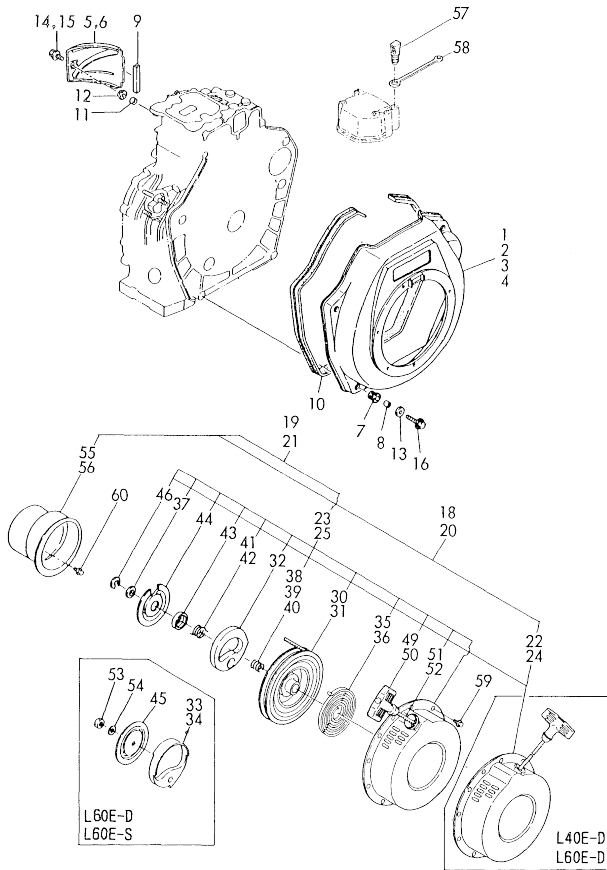


No.	Lev.	Parts No.	Description	Q'ty						I	R
				(A)	(B)	(C)	(D)	(E)	(F)		
52	1	26696-100002	NUT, LOCK M10	1	1		1	1			
53	1	26756-060002	NUT, LOCK M6	2			2				
57	1	26757-060002	NUT, LOCK M6	1						W	

Remarks
 (Y) FOR L40E/60E-DF/SF
 (H) FOR L40E/60E-DP & L40E-DV

Fig.7. COOLING & RECOIL STARTER

Fig.7 COOLING & STARTING DEVICE

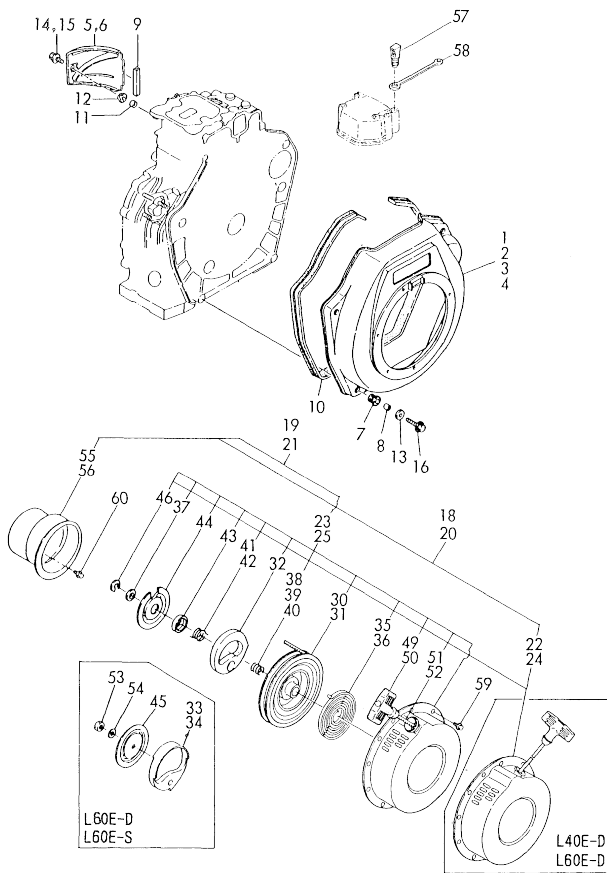


No.	Lev.	Parts No.	Description	Qty						I	R
				(A)	(B)	(C)	(D)	(E)	(F)		
1	1	114260-45100	CASE, COOLING FAN	1							
1-1	1	114260-45101	CASE, COOLING FAN (A=E53411)	1							N
2	1	114250-45100	CASE, COOLING FAN		1						
2-1	1	114250-45101	CASE, COOLING FAN (B=E53440)		1						N
3	1	114360-45100	CASE, COOLING FAN				1				
3-1	1	114360-45101	CASE, COOLING FAN (D=E51459)				1				N
4	1	114350-45100	CASE, COOLING FAN					1			
4-1	1	114350-45101	CASE, COOLING FAN (E=E54071)					1			N
5	1	114250-45211	COVER	1	1						
6	1	114350-45201	COVER					1	1		
7	1	114250-45300	ABSORBER	4	4		5	5			
8	1	114250-45310	COLLAR	4	4		5	5			
9	1	114350-45320	RUBBER, SEAL				1	1			
10	1	114250-45330	SEAL, FAN CASE L=875	1	1		1	1			
11	1	114350-45340	COLLAR					1	1		
12	1	183720-55210	GROMMET					1	1		
13	1	160120-76940	WASHER	4	4		5	5			
14	1	26476-060142	SCREW, TAPPING M6X14	1	1						
15	1	26476-060202	SCREW, TAPPING M6X20					1	1		
16	1	26476-060252	SCREW, TAPPING M6X25	4	4			5	5		
18	1	714260-76820	STARTER ASSY, RECOIL	1							
19	1	714250-76820	STARTER ASSY, RECOIL		1						
20	1	714360-76820	STARTER ASSY, RECOIL					1			
21	1	714350-76820	STARTER ASSY, RECOIL						1		
22	2	714260-76830	CASE, STARTER	1							
23	2	714250-76830	CASE ASSY, STARTER		1						
24	2	714360-76830	CASE, STARTER						1		
25	2	714350-76830	STARTER ASSY, RECOIL							1	
30	3	160260-76520	REEL	1	1						
31	3	160810-76520	REEL					1	1		
32	3	160260-76530	RATCHET	1	1						
33	3	160840-76530	RATCHET						1		
34	3	160810-76530	RATCHET							1	
35	3	160260-76540	SPRING, SPIRAL	1	1						
36	3	160810-76540	SPRING, SPIRAL						1	1	
37	3	160260-76550	WASHER, THRUST	1	1						
38	3	160260-76560	SPRING, FRICTION	1	1						
39	3	160840-76560	SPRING, FRICTION						1		
40	3	160810-76560	SPRING, FRICTION							1	
41	3	160290-76570	SPRING, RETURN	1							
42	3	160260-76570	SPRING, RETURN		1						
43	3	160260-76580	COVER	1	1						
44	3	160260-76590	PLATE, FRICTION	1	1						
45	3	160810-76580	PLATE, FRICTION						1	1	
46	3	160260-76600	CIRCLIP	1	1						
49	4	160260-76620	KNOB, STARTER	1	1						
50	4	160810-76620	KNOB, STARTER							1	1

N:Old $\frac{New}{Old}$; Q:Old $\frac{New}{Old}$; R:Old $\frac{New}{Old}$; S:Old $\frac{New}{Old}$; W:Add; Z:Discontinued; F:Interchangeable by set; K:Qty Change
 ++ CONTINUE ++
 Copyright (C) YANMAR CO., LTD. All Rights Reserved.

Fig.7. COOLING & RECOIL STARTER

Fig.7 COOLING & STARTING DEVICE

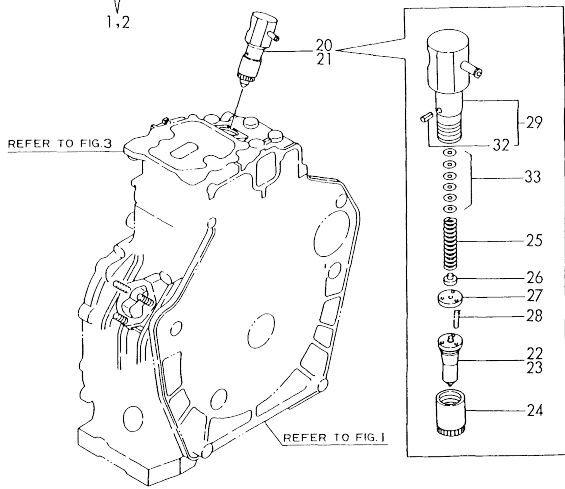
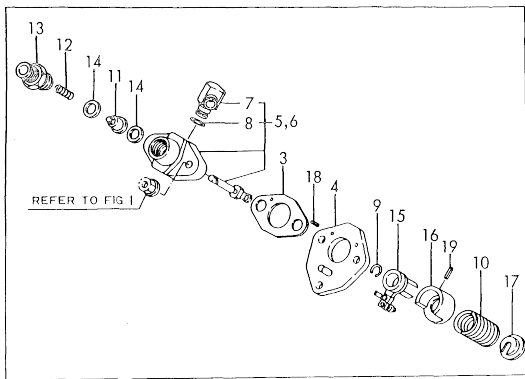


No.	Lev.	Parts No.	Description	Q'ty						I	R
				(A)	(B)	(C)	(D)	(E)	(F)		
51	4	160260-76630	ROPE, STARTER								
52	4	160810-76630	ROPE, STARTER					1	1		
53	3	181130-76680	NUT						1	1	
54	3	181130-76700	WASHER						1	1	
55	2	114250-76590	PULLEY, STARTER	1	1						
56	2	114350-76590	PULLEY, STARTER						1	1	
57	1	114250-76600	PLUNGER	1	1				1	1	
58	1	114250-76610	HOLDER, PLUNGER	1	1				1	1	
59	1	26106-060082	BOLT, M6X 8 PLATED	4	4				4	4	
60	1	26106-060122	BOLT, M6X 12 PLATED	3	3				3	3	

N:Old $\frac{New}{Old}$ New, Q:Old $\frac{New}{Old}$ New, R:Old $\frac{New}{Old}$ New, S:Old $\frac{New}{Old}$ New, W:Add, Z:Discontinued, F:Interchangeable by set, K:Q'ty Change
 Copyright (C) YANMAR CO., LTD. All Rights Reserved.

Fig.8. FUEL INJECTION PUMP & VALVE

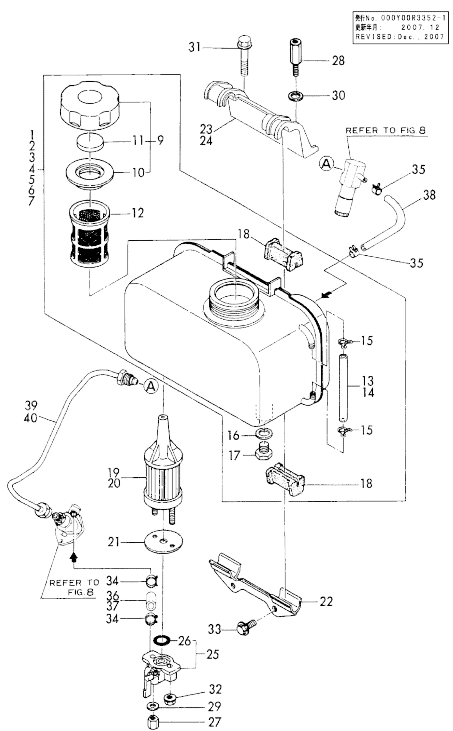
Fig. 8 FUEL INJECTION PUMP & VALVE



No.	Lev.	Parts No.	Description	Q'ty						I	R
				(A)	(B)	(C)	(D)	(E)	(F)		
1	1	714250-51701	PUMP ASSY, INJECTION	1	1						
1-1	1	714250-51710	PUMP ASSY, INJECTION	1	1						N
2	1	714350-51700	PUMP ASSY, INJECTION								
2-1	1	714350-51710	PUMP ASSY, INJECTION					1	1		N
3	2	105546-51020	GASKET	1	1			1	1		
4	2	114250-51080	PLATE	1	1			1	1		
5	2	114250-51200	BODY ASSY, PUMP	1	1						
6	2	114350-51200	BODY ASSY, PUMP							1	1
7	3	114250-51180	JOINT, PIPE	1	1			1	1		
8	3	114250-51190	O-RING, S27	1	1			1	1		
9	2	114250-51150	RING, SNAP	1	1			1	1		
10	2	114250-51160	SPRING, PLUNGER	1	1			1	1		
11	2	114250-51300	VALVE ASSY, DELIVERY	1	1			1	1		
12	2	105546-51330	SPRING, DELIVERY	1	1			1	1		
13	2	114250-51340	HOLDER, DELIVERY	1	1			1	1		
14	2	124550-51350	GASKET, DELIVERY	2	2			2	2		
15	2	114250-51600	LEVER ASSY, CONTROL	1	1			1	1		
16	2	114250-51640	SEAT, SPRING A	1	1			1	1		
17	2	114250-51650	SEAT, SPRING B	1	1			1	1		
18	2	22351-020006	PIN, SPRING 2.0X 6	2	2			2	2		
19	2	22351-030008	PIN, SPRING 3.0X 8	1	1			1	1		
20	1	714250-53101	VALVE ASSY, INJECTION	1	1						
21	1	714350-53100	VALVE ASSY, INJECTION							1	1
22	2	114250-53001	VALVE ASSY, INJECTION	1	1						
23	2	114350-53000	VALVE ASSY, INJECTION							1	1
24	2	114250-53080	NUT, NOZZLE D16.95	1	1			1	1		
25	2	114250-53120	SPRING, NOZZLE	1	1			1	1		
26	2	114250-53130	SEAT, SPRING	1	1			1	1		
27	2	114250-53140	PLATE	1	1			1	1		
28	2	114250-53210	PIN	2	2			2	2		
29	2	114250-53300	HOLDER ASSY, NOZZLE	1	1			1	1		
32	3	114250-53331	PIN	1	1			1	1		
33	2	114250-53400	SHIM SET	1	1			1	1		

N:Old $\frac{100}{100}$ New, Q:Old $\frac{100}{100}$ New, R:Old $\frac{100}{100}$ New, S:Old $\frac{100}{100}$ New, W:Add, Z:Discontinued, F:Interchangeable by set, K:Q'ty Change
 Copyright (C) YANMAR CO., LTD. All Rights Reserved.

Fig.9. FUEL TANK & FUEL PIPE

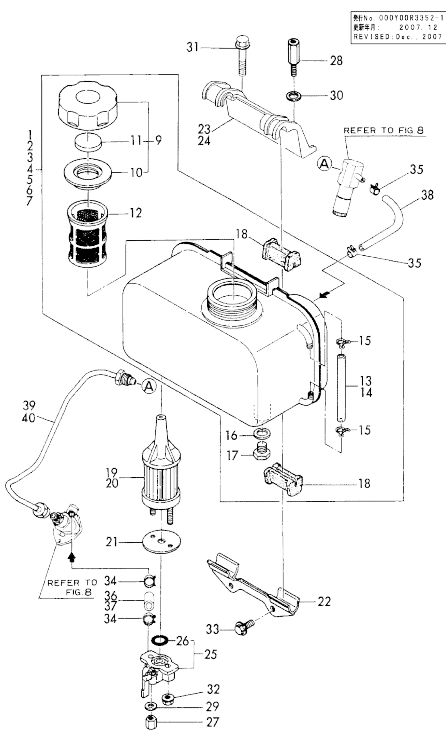


No.	Lev.	Parts No.	Description	Q'ty						I	R
				(A)	(B)	(C)	(D)	(E)	(F)		
1	1	714250-55710	TANK ASSY, FUEL	1	1					N	H
1-1	1	714250-55711	TANK ASSY, FUEL	1	1					N	H
(A=E53411) (B=E53440)											
2	1	714268-55720	TANK ASSY, FUEL		1						Y
2-1	1	714268-55721	TANK ASSY, FUEL		1						Y
(A=*)											
3	1	714268-55750	TANK ASSY, FUEL		1						#
3-1	1	714268-55751	TANK ASSY, FUEL		1						#
(A=*)											
4	1	714258-55700	TANK ASSY, FUEL				1				%
4-1	1	714258-55701	TANK ASSY, FUEL				1				%
(B=*)											
5	1	714350-55710	TANK ASSY, FUEL					1	1		H
5-1	1	714350-55711	TANK ASSY, FUEL					1	1		H
(D=E51459) (E=E54071)											
6	1	714368-55720	TANK ASSY, FUEL					1			Y
6-1	1	714368-55721	TANK ASSY, FUEL					1			Y
(D=*)											
7	1	714358-55700	TANK ASSY, FUEL						1		%
7-1	1	714358-55701	TANK ASSY, FUEL						1		%
(E=*)											
9	2	114250-55040	CAP ASSY	1	1		1	1			
9-1	2	114250-55041	CAP ASSY	1	1		1	1	1		N
(A=E54964) (B=E58088) (D=E53443) (E=E54071)											
10	3	114250-55050	GASKET	1	1			1	1		
11	3	114250-55060	SEAL	1	1			1	1		
12	2	114250-55100	FILTER, FUEL	1	1			1	1		
13	2	114250-55150	GAUGE, LEVEL	1	1						
14	2	114350-55150	GAUGE, LEVEL					1	1		
15	2	124722-59050	CLIP, HOSE 9	2	2			2	2		
16	2	23414-120000	GASKET, 12X1.0	1	1			1	1		
17	2	23887-120002	PLUG, 12	1	1			1	1		
18	2	114250-55200	DAMPER, FUEL TANK	4	4			4	4		
19	1	114250-55120	FILTER ASSY, FUEL	1	1						
20	1	114350-55120	FILTER ASSY, FUEL	1	1					1	1
21	1	114250-55130	GASKET	1	1			1	1		
22	1	114250-55210	STAY, FUEL TANK	1	1			1	1		
22-1	1	114250-55211	STAY, FUEL TANK	1	1			1	1		N
(A=E53411) (B=E53440) (D=E51459) (E=E54071)											
23	1	114250-55221	STAY, FUEL TANK	1	1						
23-1	1	114250-55231	STAY, FUEL TANK	1	1						N
(A=E53411) (B=E53440)											
24	1	114350-55221	STAY, FUEL TANK					1	1		
24-1	1	114350-55231	STAY, FUEL TANK					1	1		N
(D=E51459) (E=E54071)											
25	1	114250-55300	COCK ASSY, FUEL	1	1			1	1		
26	2	24341-000150	O-RING, 1AS15.0	1	1			1	1		
27	1	114252-55800	NUT	1	1			1	1		
28	1	114250-55810	BOLT	1	1			1	1		
28-1	1	114650-55810	BOLT	1	1			1	1		N
(A=E53411)											

N:Old $\frac{New}{Old}$ New. Q:Old $\frac{New}{Old}$ New. R:Old $\frac{New}{Old}$ New. S:Old $\frac{New}{Old}$ New. W:Add. Z:Discontinued. F:Interchangeable by set. K:Q'ty Change
 ++ CONTINUE ++
 Copyright (C) YANMAR CO., LTD. All Rights Reserved.

Remarks
 (H) FOR L40E/60E-D(E)/S(E)
 (Y) FOR L40E/60E-D(E)/GMO
 (#) FOR L40E-DV
 (% FOR L40E/60E-DF/SF

Fig.9. FUEL TANK & FUEL PIPE



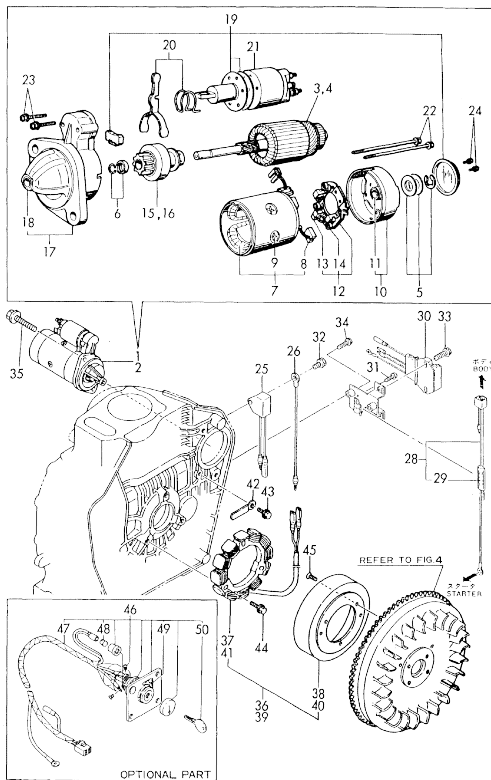
No.	Lev.	Parts No.	Description	Q'ty						I	R
				(A)	(B)	(C)	(D)	(E)	(F)		
29	1	22117-060000	WASHER, 6	1	1		1	1			
30	1	22117-080000	WASHER, 8	1	1		1	1			
31	1	26106-080452	BOLT, M8X 45 PLATED	1	1		1	1			
32	1	26366-060002	NUT, M6	1	1		1	1			
33	1	26476-060142	SCREW, TAPPING M6X14	2	2		2	2			
34	1	106990-44660	CLIP, HOSE 12.5	2	2		2	2			
35	1	124722-59050	CLIP, HOSE 9	2	2		2	2			
36	1	114250-59050	PIPE, FUEL L=46	1	1						
37	1	114360-59060	PIPE, FUEL L=55					1	1		
38	1	114250-59060	PIPE, FUEL RETURN	1	1			1	1		
39	1	114250-59800	PIPE ASSY, INJECTION	1	1						
40	1	114350-59800	PIPE ASSY, INJECTION					1	1		

Remarks

- (H) FOR L40E/60E-D(E)/S(E)
- (Y) FOR L40E/60E-D(E)/GMO
- (#) FOR L40E-DV
- (%) FOR L40E/60E-DF/SF

Fig.10. STARTING MOTOR & DYNAMO

Fig. 10 STARTING MOTOR & DYNAMO



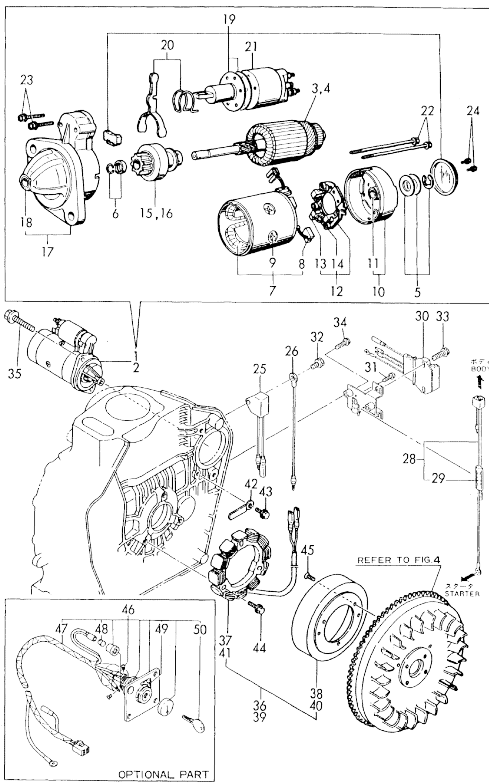
No.	Lev.	Parts No.	Description	Q'ty						I	R
				(A)	(B)	(C)	(D)	(E)	(F)		
1	1	114362-77010	STARTER, S114-414A	1			1				
2	1	114351-77010	STARTER, S114-413A		1			1			
3	2	X211461104	ARMATURE	1			1				
4	2	X211461008	ARMATURE		1			1			
5	2	X21148110	WASHER SET, THRUST	1	1			1	1		
6	2	X21147155	STOPPER SET, PINION	1	1			1	1		
7	2	X211412105	FIELD COIL ASSY	1	1			1	1		
8	3	X21145312	BRUSH, +	2	2			2	2		
9	3	X21143215	SCREW, CORE	4	4			4	4		
10	2	X211473002	COVER, REAR	1	1			1	1		
11	3	X21145352	METAL	1	1			1	1		
12	2	X211489001	HOLDER ASSY, BRUSH	1	1			1	1		
13	3	X21148313	BRUSH (-)	1	1			1	1		
14	3	X21149314	SPRING, BRUSH	3	3			3	3		
15	2	X211445508	PINION ASSY	1				1			
16	2	X211445504	PINION ASSY				1		1		
17	2	X211416603	HOUSING	1	1			1	1		
18	3	X21145352	METAL	1	1			1	1		
19	2	X211478006	COVER KIT	1	1			1	1		
20	2	X211456013	LEVER, KIT SHIFT	1	1			1	1		
21	2	X211427501	SWITCH ASSY, MAGNET	1	1			1	1		
22	2	X211468005	BOLT, THROUGH	2	2			2	2		
23	2	X21145867	BOLT, M6	2	2			2	2		
24	2	X21142835	SCREW SET	1	1			1	1		
25	1	160970-77350	RECTIFIER, ZR2117	1	1			1	1		
26	1	183350-77400	WIRE, LEAD	1	1			1	1		
27	1	114253-77410	BRACKET	1				1			T
28	1	114253-77491	HARNES, WIRE	1				1			T
29	2	29411-150000	FUSE, CARTRIDGE 15A					2	2		T
30	1	114253-77520	REGULATOR, RS2190	1				1			T
31	1	26023-040102	SCREW, M4X10	2	2			2	2		T
32	1	26106-060122	BOLT, M6X 12 PLATED	1	1			1	1		T
33	1	26106-060202	BOLT, M6X 20 PLATED	2	2			2	2		T
34	1	26106-060252	BOLT, M6X 25 PLATED	2	2			2	2		T
35	1	26106-100302	BOLT, M10X 30 PLATED	2	2			2	2		T
36	1	114351-78200	DYNAMO ASSY	1	1			1	1		#
36-1	1	114351-78250	DYNAMO ASSY	1	1			1	1		S #
		(A=E60186) (B=E60706) (D=E50001) (E=E50001)									
37	2	114351-78720	STATOR ASSY	1	1			1	1		A
37-1	2	114351-78620	STATOR ASSY	1	1			1	1		#
37-2	2	114351-78750	STATOR ASSY	1	1			1	1		S #
		(A=E60186) (B=E60706) (D=E50001) (E=E50001)									
38	2	114351-78710	WHEEL, DYNAMO	1	1			1	1		A
38-1	2	114351-78610	WHEEL, DYNAMO	1	1			1	1		A
38-2	2	114351-78760	WHEEL, DYNAMO	1	1			1	1		S #
		(A=E60186) (B=E60706) (D=E50001) (E=E50001)									
39	1	114351-78210	DYNAMO ASSY					1		1	T
39-1	1	114351-78260	DYNAMO ASSY					1		1	S T
		(B=E60706)									
40	2	114351-78600	WHEEL, DYNAMO					1		1	T
40-1	2	114351-78780	WHEEL, DYNAMO					1		1	S T

N:Old $\frac{New}{Old}$ New, Q:Old $\frac{New}{Old}$ New, R:Old $\frac{New}{Old}$ New, S:Old $\frac{New}{Old}$ New, W:Add, Z:Discontinued, F:Interchangeable by set, K:Q'ty Change
 ++ CONTINUE ++
 Copyright (C) YANMAR CO., LTD. All Rights Reserved.

Remarks
 #) FOR L40E/60E-DE & SE.
 L40E/60E-DEGMO (13V-1A)
 T) FOR L40E/60E-SEF & SF (13V-3A)
 (Y) OPTIONAL PARTS.
 (A) TYPOGRAPHICAL ERROR.

Fig.10. STARTING MOTOR & DYNAMO

Fig. 10 STARTING MOTOR & DYNAMO

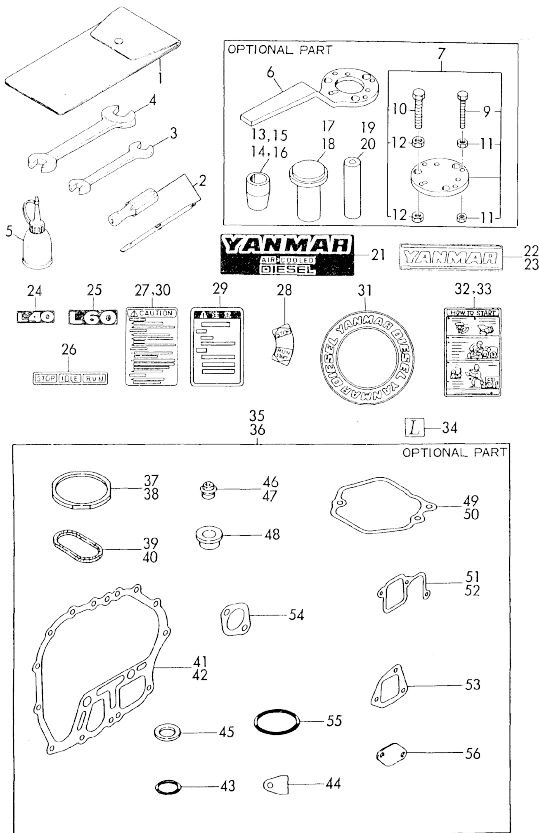


No.	Lev.	Parts No.	Description	Q'ty						I	R	
				(A)	(B)	(C)	(D)	(E)	(F)			
41	2	114351-78630	STATOR ASSY, D114		1			1			T	
41-1	2	114351-78770	STATOR ASSY, 132.1MM		1			1			S	T
42	1	160710-78710	CLAMP, CORD		1	1		1	1			
43	1	26476-060142	SCREW, TAPPING M6X14		1	1		1	1			
44	1	26476-060202	SCREW, TAPPING M6X20		3	3		3	3			
45	1	26577-060142	SCREW M 6X 14		3	3		3	3			
46	1	114351-77500	PANEL ASSY		1	1		1	1			Y
49	2	114351-77700	HARNES, WIRE		1	1		1	1			Y
50	3	29220-083200	BULB (12V/3.4W)		1	1		1	1			Y
51	2	105198-07120	LABEL, STARTER		1	1		1	1			Y
52	2	106100-77630	KEY, SWITCH		1	1		1	1			Y

Remarks
 #) FOR L40E/60E-DE & SE.
 L40E/60E-DEGMO (13V-1A)
 T) FOR L40E/60E-SEF & SF (13V-3A)
 (Y) OPTIONAL PARTS.
 (A) TYPOGRAPHICAL ERROR.

Fig.11. TOOLS / LABELS & GASKET SET

Fig. 11 LABEL, TOOL & GASKET SET

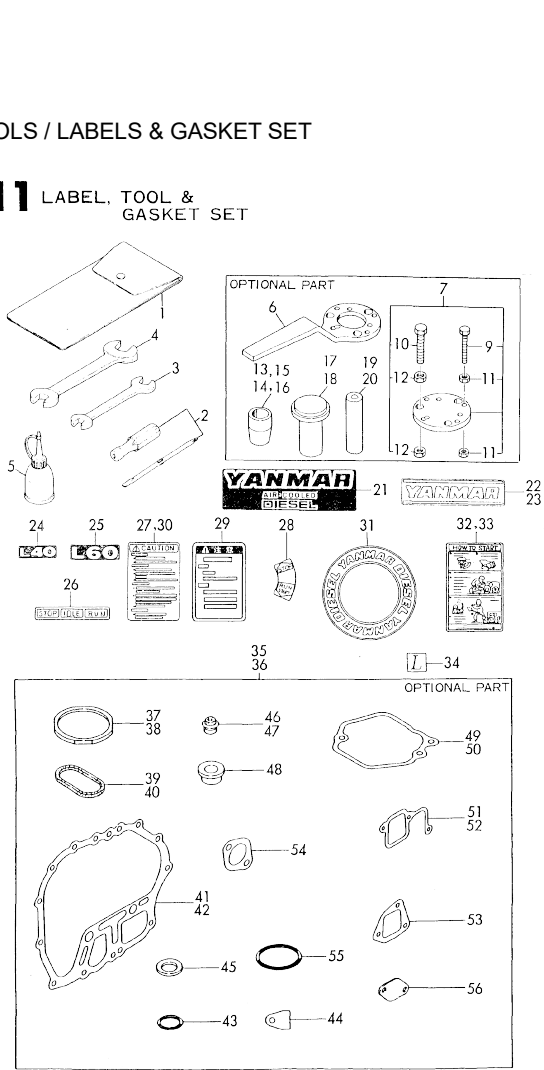


No.	Lev.	Parts No.	Description	Qty						I	R
				(A)	(B)	(C)	(D)	(E)	(F)		
1	1	114250-92600	BAG, TOOL	1	1		1	1			
2	1	160330-92730	DRIVE, SCREW	1	1		1	1			
3	1	28110-100120	SPANNER, 10X12	1	1		1	1			
4	1	28110-140170	SPANNER, 14X17	1	1		1	1			
5	1	28210-000150	OILER	1	1		1	1			
6	1	114250-92101	F.W. LOCKING HANDLE	1	1		1	1			
7	1	114250-92130	REMOVER, ASSY.FLYWHE	1	1		1	1			
8	2	114250-92121	TOOL, WHEEL REMOVER	1	1		1	1			
9	2	26116-060454	BOLT M 6X 45 PLATED	4	4		4	4			
10	2	26116-080454	BOLT, M8X 45 PLATED	3	3		3	3			
11	2	26716-060002	NUT, M6	8	8		8	8			
12	2	26716-080002	NUT, M8	6	6		6	6			
13	1	114268-92300	GUIDE, OIL SEAL	1							#
14	1	114368-92300	GUIDE, OIL SEAL				1				#
15	1	114250-92301	GUIDE		1						#
16	1	114350-92301	GUIDE, OIL SEAL					1			#
17	1	114250-92311	INSTALLING TOOL	1	1						#
18	1	114350-92311	INSTALLING TOOL				1	1			#
19	1	114250-92350	INSTALLING TOOL	1	1						#
20	1	114350-92350	INSTALLING TOOL				1	1			#
21	1	114250-07090	LABEL,AIR COOLED	1	1		1	1			
22	1	114250-07110	LABEL, YANMAR DIESEL	1	1		1	1			
23	1	183250-07110	LABEL, YANMAR	1	1		1	1			
24	1	183250-07120	LABEL, L40	1	1						
25	1	183350-07120	LABEL, L60					1	1		
26	1	183250-07230	LABEL,POSITION SHIFT	1	1		1	1			
27	1	114268-07240	LABEL, CAUTION	1	1		1	1			
28	1	114250-07260	LABEL, OPERATION	1	1		1	1			
29	1	114268-07260	LABEL, CAUTION	1	1		1	1			
30	1	114268-07280	LABEL, PRECAUTION	1				1			
31	1	114250-07350	LABEL, DIESEL	1	1		1	1			
32	1	114268-07350	LABEL, HOW TO START	1	1		1	1			
33	1	114268-07360	LABEL, HOWTO START(F	1				1			
34	1	114250-07950	LABEL, (L MARK)	1	1		1	1			
35	1	714250-92600	GASKET SET	1							
35-1	1	714250-92601	GASKET SET	1	1						N
35-2	1	714250-92602	GASKET SET	1							
36	1	714350-92600	GASKET SET					1	1		
36-1	1	714350-92601	GASKET SET					1	1		N
36-2	1	714350-92602	GASKET SET					1			S
37	2	114250-01340	GASKET, HEAD	1	1						
38	2	114350-01340	GASKET, HEAD					1	1		
39	2	114250-01380	O-RING	1	1						
40	2	114350-01380	O-RING					1	1		
41	2	114250-01410	GASKET, CRANK CASE	1							
41-1	2	114250-01411	GASKET, CRANK CASE	1	1						
41-2	2	114250-01412	GASKET, CRANK CASE	1							

N:Old $\frac{New}{Old}$ New, Q:Old $\frac{New}{Old}$ New, R:Old $\frac{New}{Old}$ New, S:Old $\frac{New}{Old}$ New, W:Add, Z:Discontinued, F:Interchangeable by set, K:Qty Change
 ++ CONTINUE ++
 Copyright (C) YANMAR CO., LTD. All Rights Reserved.

Fig.11. TOOLS / LABELS & GASKET SET

Fig. 11 LABEL, TOOL & GASKET SET



Remarks (#)OPTIONAL PARTS

(A)=L40E-D/DE (D)=L60E-D/DE
(B)=L40E-S/SE (E)=L60E-S/SE
(C)= (F)=

No.	Lev.	Parts No.	Description	Q'ty						I	R
				(A)	(B)	(C)	(D)	(E)	(F)		
42	2	114350-01410	GASKET, CRANK CASE					1	1		
42-1	2	114350-01411	GASKET, CRANK CASE					1	1		
42-2	2	114350-01412	GASKET, CRANK CASE					1			
43	2	24311-000180	O-RING, 1AP18.0	2	2			2	2		
44	2	114250-01840	GASKET	1	1			1	1		
45	2	43400-500490	SEAL WASHER 16	2	2			2	2		
46	2	114250-11340	SEAL, VALVE STEM	2	2						
47	2	114350-11340	SEAL, VALVE STEM					2	2		
48	2	114250-11460	GASKET, NOZZLE	1	1			1	1		
49	2	114250-11310	GASKET, BONNET	1	1			1	1		
51	2	114250-12200	GASKET	1	1						
52-1	2	114350-12201	GASKET						1	1	
53	2	114250-12210	GASKET, AIR CLEANER	1	1			1	1		
54	2	114250-13200	GASKET, MUFFLER	1	1			1	1		
55	2	103338-32570	O-RING	1	1			1	1		
56	2	114250-35270	GASKET	1	1			1	1		

Parts No. Index

Parts No.	Fig. No.	Ref. No.	Parts No.	Fig. No.	Ref. No.	Parts No.	Fig. No.	Ref. No.	Parts No.	Fig. No.	Ref. No.
101158-11180	2	11	114250-07950	11	34	114250-32010	6	1	114250-59060	9	38
102100-67080	6	30	114250-11020	2	1	114250-32070	6	2	114250-59800	9	39
103338-32570	6	3	114250-11101	2	4	114250-35060	6	6	114250-61600	6	17
	11	55	114250-11112	2	6	114250-35070	6	6 -1	114250-61900	6	17 -1
103854-01221	4	28	114250-11120	2	8	114250-35150	1	34	114250-66010	6	20
104200-66820	6	38	114250-11180	2	10	114250-35250	6	7	114250-66050	6	22
104200-66830	6	39	114250-11240	2	26 -1	114250-35270	6	8	114250-66200	6	23
104200-66850	6	40	114250-11290	2	16		11	56	114250-66440	6	25
105025-11230	2	26	114250-11310	2	35	114250-45100	7	2			31
105198-07120	10	51		11	49	114250-45101	7	2 -1			37
105225-01240	1	10	114250-11340	2	18	114250-45211	7	5	114250-66550	6	43
105425-01690	1	25		11	46	114250-45300	7	7	114250-76590	7	55
105546-51020	8	3	114250-11460	2	20	114250-45310	7	8	114250-76600	7	57
105546-51330	8	12		11	48	114250-45330	7	10	114250-76610	7	58
106100-77630	10	52	114250-11600	2	22	114250-51080	8	4	114250-92101	11	6
106990-44660	9	34	114250-11651	2	23 -1B	114250-51150	8	9	114250-92121	11	8
114250-01200	1	1	114250-11661	2	24 -1B	114250-51160	8	10	114250-92130	11	7
114250-01210	1	3	114250-11900	2	28	114250-51180	8	7	114250-92301	11	15
114250-01220	1	5	114250-11951	2	36	114250-51190	8	8	114250-92311	11	17
114250-01250	1	7	114250-12010	3	1	114250-51200	8	5	114250-92350	11	19
114250-01340	1	11	114250-12200	3	3	114250-51300	8	11	114250-92600	11	1
	11	37		11	51	114250-51340	8	13	114250-99100	1	54 -2
114250-01380	1	13	114250-12210	3	5	114250-51600	8	15	114251-21590	4	40
	11	39		11	53	114250-51640	8	16	114251-21591	4	40 -1
114250-01410	1	15	114250-12520	3	8	114250-51650	8	17	114252-55800	9	27
	11	41	114250-12530	3	9 A	114250-53001	8	22	114252-66252	6	24
114250-01411	1	15 -1	114250-12550	3	12	114250-53080	8	24	114253-77410	10	27
	11	41 -1	114250-12560	3	10	114250-53120	8	25	114253-77491	10	28
114250-01412	1	15 -2	114250-12580	3	11	114250-53130	8	26	114253-77520	10	30
	11	41 -2	114250-12980	3	9 B	114250-53140	8	27	114260-01450	1	17
114250-01450	1	18	114250-13200	3	16	114250-53210	8	28	114260-01451	1	17 -1
114250-01451	1	18 -1		11	54	114250-53300	8	29	114260-01452	1	17 -2
114250-01452	1	18 -2	114250-13521	3	17	114250-53331	8	32	114260-01453	1	17 -3
114250-01740	1	26	114250-13531	3	18	114250-53400	8	33	114260-21400	4	31
114250-01800	1	29	114250-13701	3	19	114250-55040	9	9	114260-21401	4	31 -1
114250-01830	1	31	114250-14200	4	6	114250-55041	9	9 -1	114260-45100	7	1
114250-01840	1	32	114250-14260	4	9	114250-55050	9	10	114260-45101	7	1 -1
	11	44	114250-14400	4	7	114250-55060	9	11	114262-21590	4	38
114250-02030	1	44	114250-14450	4	7 -2	114250-55100	9	12	114262-21591	4	38 -1
114250-02100	1	23	114250-14900	4	7 -1A	114250-55120	9	19	114268-07240	11	27
114250-02112	1	45	114250-21400	4	32	114250-55130	9	21	114268-07260	11	29
114250-02113	1	45 -1	114250-21401	4	32 -1	114250-55150	9	13	114268-07280	11	30
114250-02200	1	63	114250-21410	4	33	114250-55200	9	18	114268-07350	11	32
114250-02210	1	65	114250-21411	4	33 -1	114250-55210	9	22	114268-07360	11	33
114250-03591	2	37	114250-21550	4	37	114250-55211	9	22 -1	114268-07300	3	24
114250-03640	2	39	114250-22301	5	32 -1	114250-55221	9	23	114268-92300	11	13
114250-07090	11	21	114250-22302	5	32 -2	114250-55231	9	23 -1	114350-01200	1	2
114250-07110	11	22	114250-23200	5	39	114250-55300	9	25	114350-01210	1	4
114250-07260	11	28	114250-23220	5	40	114250-55810	9	28	114350-01220	1	6
114250-07350	11	31	114250-23250	5	41	114250-59050	9	36	114350-01250	1	8

Parts No. Index

Parts No.	Fig. No.	Ref. No.	Parts No.	Fig. No.	Ref. No.	Parts No.	Fig. No.	Ref. No.	Parts No.	Fig. No.	Ref. No.
114350-01340	1	12	114350-45320	7	9	121450-61520	6	16	183250-07230	11	26
	11	38	114350-45340	7	11	124550-51350	8	14	183250-39450	1	35
114350-01380	1	14	114350-51200	8	6	124722-59050	9	15	183250-66050	6	34
	11	40	114350-53000	8	23			35	183250-66070	6	35
114350-01410	1	16	114350-55120	9	20	124950-01250	1	9	183250-66100	6	36
	11	42	114350-55150	9	14	129100-61850	2	41	183250-66500	6	33
114350-01411	1	16 -1	114350-55221	9	24	135210-61090	6	19	183350-07120	11	25
	11	42 -1	114350-55231	9	24 -1	160110-01870	1	33	183350-77400	10	26
114350-01412	1	16 -2	114350-59800	9	40	160110-02220	1	47	183720-55210	7	12
	11	42 -2	114350-66011	6	21			49	22117-060000	9	29
114350-01450	1	21	114350-76590	7	56	160120-76940	7	13	22117-080000	9	30
114350-01451	1	21 -1	114350-92301	11	16	160210-02220	1	48	22137-080000	6	18
114350-01452	1	21 -2	114350-92311	11	18	160260-76520	7	30	22252-000170	5	34 -1
114350-01700	1	61	114350-92350	11	20	160260-76530	7	32	22252-000190	5	34 -2
114350-02100	1	24	114350-99100	1	56 -2A	160260-76540	7	35			35
114350-02112	1	46	114350-99110	1	56 -2B	160260-76550	7	37	22252-000210	5	35 -1
114350-02113	1	46 -1	114350-99120	1	56 -2C	160260-76560	7	38	22312-030080	5	42
114350-02200	1	64	114351-21590	4	44	160260-76570	7	42	22312-030160	2	40
114350-02210	1	66	114351-77010	10	2	160260-76580	7	43		6	4
114350-11020	2	2	114351-77500	10	46	160260-76590	7	44	22312-080120	1	37
114350-11021	2	2 -1	114351-77700	10	49	160260-76600	7	46	22351-020006	8	18
114350-11101	2	5	114351-78200	10	36	160260-76620	7	49	22351-030008	8	19
114350-11112	2	7	114351-78210	10	39	160260-76630	7	51	22351-040008	2	29
114350-11120	2	9	114351-78250	10	36 -1	160290-76570	7	41	22451-060000	6	46
114350-11340	2	19	114351-78260	10	39 -1	160310-14550	4	29	22512-040120	4	23
	11	47	114351-78600	10	40	160330-92730	11	2	22512-050300	4	10
114350-11470	2	21	114351-78610	10	38 -1	160642-21150	4	24	22512-070360	4	11
114350-11780	2	23 -1A	114351-78620	10	37 -1	160642-21250	4	26	23414-120000	9	16
114350-11790	2	24 -1A	114351-78630	10	41	160710-01740	1	27	23871-010000	1	36
114350-12010	3	2	114351-78710	10	38	160710-01760	1	26 -1	23887-120002	9	17
114350-12011	3	2 -1	114351-78720	10	37	160710-78710	10	42	24101-062024	4	49
114350-12200	3	4	114351-78750	10	37 -2	160725-78350	6	45	24101-062050	1	50
114350-12201	3	4 -1	114351-78760	10	38 -2	160810-76520	7	31	24101-062060	1	51
	11	52 -1	114351-78770	10	41 -1	160810-76530	7	34	24162-152112	1	52
114350-13522	3	20	114351-78780	10	40 -1	160810-76540	7	36	24311-000180	1	28
114350-13523	3	20 -1	114360-01450	1	20 -1	160810-76560	7	40		11	43
114350-13532	3	21	114360-01451	1	20 -2	160810-76580	7	45	24341-000150	9	26
114350-13533	3	21 -1	114360-01452	1	20 -3	160810-76620	7	50	24341-000224	6	9
114350-13702	3	22	114360-01453	1	20 -4	160810-76630	7	52	26023-040102	10	31
114350-13703	3	22 -1	114360-21400	4	34	160840-76530	7	33	26106-060082	3	23
114350-14400	4	8	114360-45100	7	3	160840-76560	7	39		7	59
114350-14450	4	8 -2	114360-45101	7	3 -1	160842-21150	4	25	26106-060122	3	25
114350-14900	4	8 -1A	114360-59060	9	37	160842-21250	4	27		6	10
114350-21400	4	35	114362-21590	4	42	160842-21260	4	30		7	60
114350-21410	4	36	114362-77010	10	1	160910-01740	1	27 -1		10	32
114350-22300	5	33	114368-01450	1	19	160970-77350	10	25	26106-060162	6	10 -1
114350-22301	5	33 -1	114368-01451	1	19 -1	181130-76680	7	53	26106-060202	6	47
114350-45100	7	4	114368-01452	1	19 -2	181130-76700	7	54		10	33
114350-45101	7	4 -1	114368-92300	11	14	183250-07110	11	23	26106-060252	1	38
114350-45201	7	6	114650-55810	9	28 -1	183250-07120	11	24		3	13

Parts No. Index

Parts No.	Fig. No.	Ref. No.
26106-060252	10	34
26106-060452	6	48
26106-060552	2	42
26106-080122	1	53
26106-080202	4	12
26106-080352	1	39
26106-080452	2	30
	9	31
26106-100122	1	62
26106-100302	10	35
26116-040088	6	49
26116-060454	11	9
26116-080454	11	10
26216-080182	2	31
26226-060142	3	14
26226-060182	1	40
26226-060222	1	41
26226-060502	2	32
26226-060552	2	33
26346-060002	6	50
26366-060002	1	42
	2	34
	3	15
	9	32
26366-080002	3	26
26476-060142	6	5
		51
	7	14
	9	33
	10	43
26476-060202	7	15
	10	44
26476-060252	7	16
26577-060142	10	45
26696-100002	6	41
		52
26716-060002	11	11
26716-080002	11	12
26756-060002	2	27
	6	32
		42
		53
26757-060002	6	57
27310-060001	2	13
28110-100120	11	3
28110-140170	11	4
28210-000150	11	5
29220-083200	10	50
29411-150000	10	29
43400-500490	1	43

Parts No.	Fig. No.	Ref. No.
43400-500490	11	45
714250-11570	2	12
714250-12560	3	6 A
714250-14581	4	2
714250-21701	4	17
714250-22501	5	8
714250-22502	5	8 -1
714250-22542	5	18
714250-22550	5	29
714250-22580	5	24
714250-22620	5	14
714250-22624	5	14 -1A
714250-22721	5	4 -1
714250-22722	5	4 -2
714250-22723	5	4 -3
714250-22724	5	4 -4A
714250-23600	5	43
714250-23610	5	46
714250-23620	5	48
714250-23701	5	36 -1
714250-23703	5	36 -3
714250-23781	5	1
714250-23790	5	11
714250-23800	5	21
714250-28511	4	46
714250-51701	8	1
714250-51710	8	1 -1
714250-53101	8	20
714250-55710	9	1
714250-55711	9	1 -1
714250-61500	6	11
714250-61700	6	14
714250-66500	6	26
714250-76820	7	19
714250-76830	7	23
714250-92600	11	35
714250-92601	11	35 -1
714250-92602	11	35 -2
714251-01562	1	54 -3
714251-01563	1	54 -4
714258-55700	9	4
714258-55701	9	4 -1
714260-14581	4	1
714260-21730	4	13 -1
714260-22580	5	24 -1
714260-22620	5	14 -1B
714260-22720	5	4 -4B
714260-76820	7	18
714260-76830	7	22
714268-12581	3	6 B

Parts No.	Fig. No.	Ref. No.
714268-21700	4	14
714268-21730	4	16
714268-21760	4	15
714268-21850	4	13
714268-55720	9	2
714268-55721	9	2 -1
714268-55750	9	3
714268-55751	9	3 -1
714268-66500	6	28
714350-14580	4	4
714350-21701	4	22
714350-22501	5	9
714350-22502	5	9 -1
714350-22542	5	19
714350-22550	5	30
714350-22580	5	26
714350-22625	5	16 -1
714350-22722	5	6 -2
714350-22723	5	6 -3
714350-22724	5	6 -4
714350-22725	5	6 -5
714350-23600	5	44
714350-23610	5	47
714350-23620	5	49
714350-23701	5	37 -1
714350-23702	5	37 -2
714350-23704	5	37 -3
714350-23781	5	3
714350-23790	5	13
714350-23800	5	23
714350-28511	4	47
714350-51700	8	2
714350-51710	8	2 -1
714350-53100	8	21
714350-55710	9	5
714350-55711	9	5 -1
714350-61500	6	12
714350-76820	7	21
714350-76830	7	25
714350-92600	11	36
714350-92601	11	36 -1
714350-92602	11	36 -2
714351-01563	1	59
714351-01564	1	59 -1
714358-55700	9	7
714358-55701	9	7 -1
714360-14580	4	3
714360-21730	4	18
714360-22580	5	25
714360-22625	5	15

Parts No.	Fig. No.	Ref. No.
714360-22720	5	5
714360-22721	5	5 -1
714360-22722	5	5 -2
714360-22723	5	5 -3
714360-22724	5	5 -4
714360-22725	5	5 -5
714360-23781	5	2
714360-23790	5	12
714360-23800	5	22
714360-76820	7	20
714360-76830	7	24
714368-21700	4	19
714368-21730	4	21
714368-21760	4	20
714368-55720	9	6
714368-55721	9	6 -1
X211412105	10	7
X211416603	10	17
X211427501	10	21
X21142835	10	24
X21143215	10	9
X211445504	10	16
X211445508	10	15
X21145312	10	8
X21145352	10	11
		18
X211456013	10	20
X21145867	10	23
X211461008	10	4
X211461104	10	3
X211468005	10	22
X21147155	10	6
X211473002	10	10
X211478006	10	19
X21148110	10	5
X21148313	10	13
X211489001	10	12
X21149314	10	14