

OCR10-M32600EN

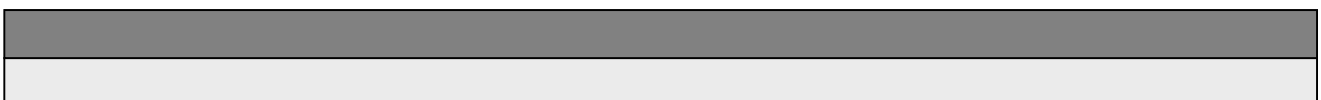
# PREFACE

1. This Parts Catalog is the 1st edition of L40E-D(E)P Diesel Engine for ONGA.

Pub. No. : 000Y00R3260  
Published : February, 1987

2. Model name

Engine model	Vehicle		Vehicle made by
	Products	Model name	
L40E-D(E)P	—	—	ONGA



## How to read this Parts Catalog.

1. Parts mentioned in Parts Catalog may not necessarily be standard equipping parts
2. Parts change may be made without prior notice.
3. Form of this Parts Catalog.

REF.	LEV.	PARTS No.	DESCRIPTION	QTY						I	R
				(A)	(B)	(C)	(D)	(E)	(F)		
1		729595-51390	FUEL INJECTION PUMP		1	1	1	1	1		
1-1	1	729595-51391	FUEL INJECTION PUMP	1	1	1	1	1	1		N
		(A=E00185) (B=E00200)									1
3	2	26022-060162	SCREW M 6X16	9	9	9	9	9			
1 3-1	2	26022-060162	SCREW M 6X16	4	4	4	4	4			K
		(A=E00156) (B=E00156) (C=E00156) (D=E00156) (E=E00156)									
4	2	129470-51040	CAMSHFT	9	9	9	9	9			
5	2	122710-51050	BEARING. ROLLER	9	9	9	9	9			
6	2	129470-51060	RETAINER	9	9	9	9	9			

Remarks	
(1)	BOOST COMPENSATOR TYPE. OPTIONAL PART. TO E#00155 (4JH-DT, 4JH-DTZ)

### ① Ref. No.

The Ref. No. in the list may not be in accordance with the Ref. No. on illustration.

(Ex.) illustration No. List head No.

1 1 (Before change) → 1-1 (After change)

When interchangeable symbol N, and K, illustrations for the new parts are sometimes omitted.

### ② Lev. (Level)

Indication and Meaning of Level

Level Hereunder is given the relation among the number of number (1,2,3) the level and the nominal parent-child relationship.

1 ---- Parent parts (Assembly parts)

2 ---- Child parts included in " 1 " (Semi-Assembly parts, component parts of Assembly parts.)

3 ---- Child parts included in " 2 ", Grand-child parts in terms of " 1 ".

(Component parts of Semi-Assembly parts.)

Note) A parts of non-sale parts are illustrated but not listed.



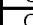
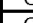
### ③ Change Mark

Change Mark " I " is given to the part for which a design change was made at this time.

The design change was not shown in the last published Parts Catalog.

### ④ Interchangeability Mark

In the case where a part change took place, one of the following interchangeability marks is indicated for that part

Symbol	Interchangeability	Contents note
N	Old ←  New	New Part is interchangeable for Old Part but not interchangeable conversely.
Q	Old ←  New	New Part is not interchangeable for Old Part but interchangeable conversely.
R	Old ←  New	New Part is interchangeable for Old Part and vice versa.
S	Old ←  New	New Part is not interchangeable for Old Part and vice versa.
W		Part newly added.
Z		Part discontinued.
F		Not interchangeable single part but interchangeable by set of the related parts.
K		Changed only in quantity used.

### ⑤ Effective Machine No.

When a part is changed, Effective Machine No. of a Model for which the part is applicable is indication

In each column of (A)-(F).

Product Symbol	Product No.	Product Symbol	Product No.
C	Clutch No, Compressor No,	M	Machine No,
D	Drive No,	T	Tractor No,
E	Engine No,	Note 1)※	Date

Note 1) Date may follow the symbol in some cases. (Ex.) ※1996.01

Note 2) As far as engine models shown by " XXX " are concerned, the modification of the parts could not be Predicted or the engine models themselves could not be identified.

Note 3) (A=E/#00185) means that the design change on the part has been effective for the model at the, column (A) (in the case, for 4JH-DT) on and from E/#(Engine Serial Number) 00185

### ⑥ Remarks Mark

Figures or alphabets (Symbols) are entered in the remark column.

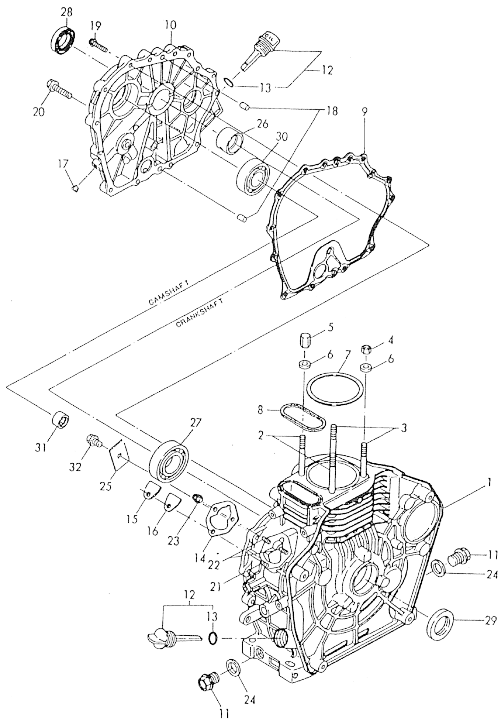
The comments (remarks) on the pertinent parts are indicated in the lower part of the list by the same symbols a those stated above.

## Contents

Fig. No.	Fig. Name	Fig. No.	Fig. Name
L40E-D(E)P			
1.	CYLINDER BLOCK		
2.	CRANK,ROD & PISTON		
3.	CYLINDER HEAD		
4.	AIR CLEANER & SILENCER		
5.	LUB.OIL & GOVERNOR		
6.	STARTING & CONTROL		
7.	FUEL INJECTION DEVICE		
8.	FUEL TANK & PIPE		
9.	LABELS,TOOLS & GASKET SET		
10.	STARTING MOTOR		

OCR10-M32600

Fig.1. CYLINDER BLOCK



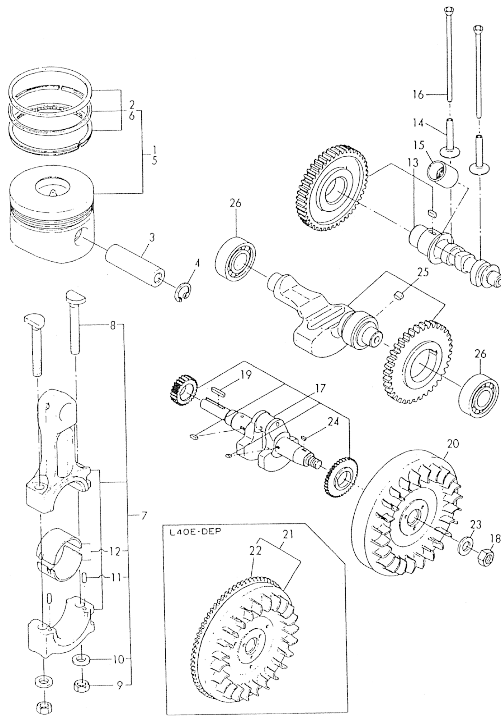
No.	Lev.	Parts No.	Description	Q'ty						I	R
				(A)	(B)	(C)	(D)	(E)	(F)		
1	1	714251-01560	BLOCK ASSY, CYLINDER		1						
1-1	1	114250-99100	BLOCK ASSY, CYLINDER (B=0001)		1						N
1-2	1	714251-01562	BLOCK ASSY, CYLINDER (B=50001)		1						S
1-3	1	714251-01563	BLOCK ASSY, CYLINDER (B=54373)		1						N
2	1	114250-01200	BOLT, HEAD		2						
3	1	114250-01210	BOLT, HEAD		2						
4	1	114250-01220	NUT, CYLINDER HEAD		2						
5	1	114250-01250	NUT, CAP		2						
6	1	124950-01250	WASHER		4						
7	1	114250-01340	GASKET, HEAD		1						
8	1	114250-01380	O-RING		1						
9	1	114250-01411	GASKET, CRANK CASE		1						
9-1	1	114250-01412	GASKET, CRANK CASE (B=61876)		1						S
10	1	114260-01451	COVER, CRANK CASE		1						
10-1	1	114260-01452	COVER, CRANK CASE (B=54373)		1						N
10-2	1	114260-01453	COVER, CRANK CASE (B=61876)		1						S
11	1	105425-01690	PLUG, 16		2						
12	1	160710-01760	CAP ASSY, L82		2						
13	2	24311-000180	O-RING, 1AP18.0		2						
14	1	114250-01800	SHIM SET		1						
15	1	114250-01830	COVER		1						
16	1	114250-01840	GASKET		1						
17	1	124060-01050	PLUG, PT1/8		1						
18	1	22312-080120	PIN, PARALLEL M8X12		2						
19	1	26106-060252	BOLT, M6X 25 PLATED		14						
20	1	26106-080352	BOLT, M8X 35 PLATED		1						
21	1	26226-060182	STUD, M6X 18		1						
22	1	26226-060222	STUD, M6X 22		2						
23	1	26366-060002	NUT, M6		3						
24	1	43400-500490	SEAL WASHER 16		2						
25	1	114250-02030	RETAINER, BEARING		1						
26	1	114250-02100	BEARING, MAIN		1						
27	1	114250-02112	BEARING, HR6206G3C3		1						
27-1	1	114250-02113	BEARING, HR6306G3C3 (B=50001)		1						S
28	1	160110-02220	SEAL, OIL		1						
29	1	160210-02220	SEAL, 25X41.2X8		1						
30	1	24101-062050	BEARING, BALL 6205C3		1						
31	1	24162-152112	BEARING, 152112		1						
32	1	26106-080122	BOLT, M8X 12 PLATED		1						
33	1	114250-35150	PIPE, OIL INLET (B=61876)		1						W
34	1	114250-02200	BEARING, 0.25 US		1						Y
35	1	114250-02210	BEARING, 0.50 US		1						Y

Remarks  
(Y) UNDER SIZED PART

N:Old  $\frac{100}{100}$  New, Q:Old  $\frac{100}{100}$  New, R:Old  $\frac{100}{100}$  New, S:Old  $\frac{100}{100}$  New, W:Add, Z:Discontinued, F:Interchangeable by set, K:Q'ty Change  
Copyright (C) YANMAR CO., LTD. All Rights Reserved.

OCR10-M32600

Fig.2. CRANK,ROD & PISTON

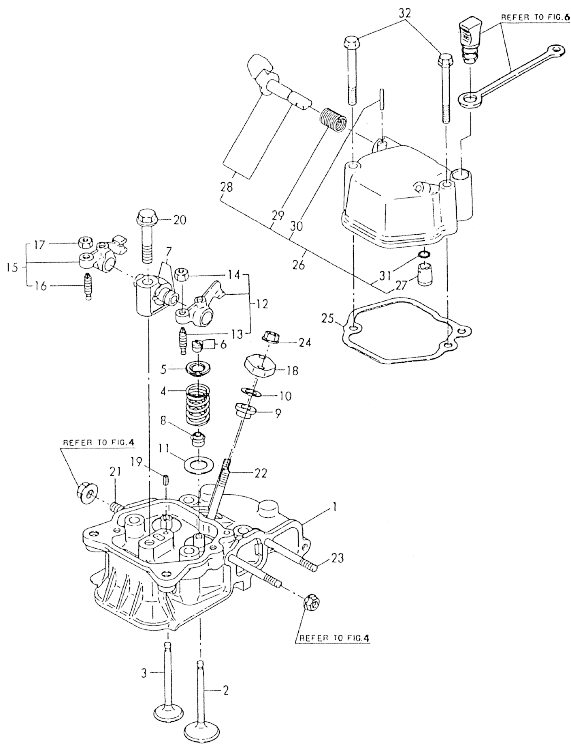


No.	Lev.	Parts No.	Description	Q'ty						I	R
				(A)	(B)	(C)	(D)	(E)	(F)		
1	1	714250-22723	PISTON ASSY, 19-63		1						
1-1	1	714260-22720	PISTON ASSY, D (B=54373)		1						S
2	2	714250-22501	RING SET, PISTON		1						
2-1	2	714250-22502	RING SET, PISTON		1						N
3	1	114250-22302	PIN, PISTON D=19		1						
4	1	22252-000190	RING, 19		2						
5	1	714250-22620	PISTON ASSY, 0.25 OS		1						
5-1	1	714250-22624	PISTON ASSY, 0.25 OS (B=51828)		1						N H
5-2	1	714260-22620	PISTON ASSY, 0.25 OS (B=54373)		1						S H
6	2	714250-22540	RING SET, 0.25 OS		1						H
6-1	2	714250-22542	RING SET, 0.25 OS (B=EXXX)		1						N H
7	1	714250-22580	PISTON ASSY, 0.50 OS		1						H
7-1	1	714260-22580	PISTON ASSY, 0.50 OS (B=54373)		1						S H
8	2	714250-22550	RING SET, 0.50 OS		1						H
9	1	714250-23703	ROD ASSY, CONNECTING		1						
10	3	114250-23200	BOLT, CONNECTING ROD		2						
11	3	114250-23220	NUT		2						
12	3	114250-23250	WASHER		2						
13	3	22312-030080	PIN, PARALLEL M3X 8		2						
14	2	714250-23600	BEARING, CRANK PIN		1						
15	1	714260-14581	CAMSHAFT ASSY		1						
16	1	114250-14200	TAPPET		2						
17	1	114250-14260	TAPPET		1						
18	1	114250-14900	ROD, PUSH		2						
18-1	1	114250-14450	ROD ASSY, PUSH (B=51828)		2						N
19	1	714268-21760	CRANKSHAFT ASSY		1						
20	1	103854-01221	NUT, CYLINDER HEAD		1						
21	1	22512-050300	KEY, 5X 30		1						
22	1	114262-21580	FLYWHEEL ASSY		1						
22-1	1	114262-21581	FLYWHEEL ASSY (B=54373)		1						N
23	2	114262-21600	GEAR, RING		1						
24	1	114250-21550	WASHER		1						
25	1	22512-040120	KEY, 4X 12		1						
26	1	714250-28511	SHAFT ASSY, BALANCER		1						
27	1	24101-062024	BEARING, BALL 6202		2						
28	1	714250-23610	BEARING ASSY, 0.25		1						Y
29	1	714250-23620	BEARING, 0.50 US		1						Y

Remarks  
(H) ORVER SIZED PART  
(Y) UNDER SIZED PART

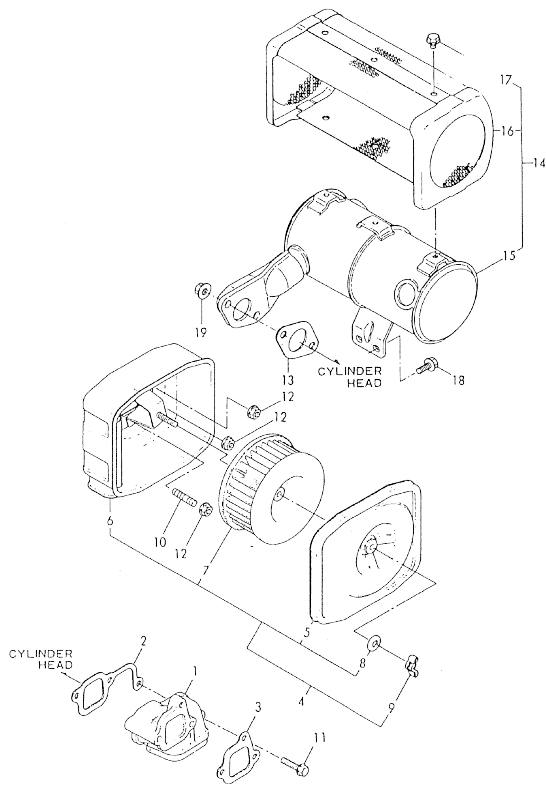
N:Old  $\frac{100}{100}$  New, Q:Old  $\frac{100}{100}$  New, R:Old  $\frac{100}{100}$  New, S:Old  $\frac{100}{100}$  New, W:Add, Z:Discontinued, F:Interchangeable by set, K:Q'ty Change  
Copyright (C) YANMAR CO., LTD. All Rights Reserved.

Fig.3. CYLINDER HEAD



No.	Lev.	Parts No.	Description	Q'ty						I	R
				(A)	(B)	(C)	(D)	(E)	(F)		
1	1	114250-11020	HEAD ASSY, CYLINDER		1						
2	1	114250-11101	VALVE, INTAKE		1						
3	1	114250-11112	VALVE, EXHAUST		1						
4	1	114250-11120	SPRING, VALVE		2						
5	1	114250-11180	RETAINER, SPRING		2						
6	1	114250-11190	COTTER		4						
6-1	1	714250-11570	COTTER ASSY		2						N
		(B=00001)									
7	1	114250-11290	SUPPORT, ROCKER ARM		1						
8	1	114250-11340	SEAL, VALVE STEM		2						
9	1	114250-11460	GASKET, NOZZLE		1						
10	1	114350-11470	SPACER, NOZZLE		1						
11	1	114250-11600	WASHER		2						
12	1	114250-11651	ARM, ROCKER		1						
13	2	114250-11240	SCREW, VALVE ADJUST		1						
14	2	26756-060002	NUT, LOCK M6		1						
15	1	114250-11661	ARM, ROCKER		1						
16	2	114250-11240	SCREW, VALVE ADJUST		1						
17	2	26756-060002	NUT, LOCK M6		1						
18	1	114250-11900	RETAINER, NOZZLE		1						
19	1	22351-040008	PIN, SPRING 4.0X 8		1						
20	1	26106-080452	BOLT, M8X 45 PLATED		1						
21	1	26216-080182	STUD, M8X 18		2						
22	1	26226-060502	STUD, M6X 50		2						
23	1	26226-060552	STUD, M6X 55		2						
24	1	26366-060002	NUT, M6		2						
25	1	114250-11310	GASKET, BONNET		1						
26	1	114250-11951	BONNET ASSY, HEAD		1						
28	2	114250-03591	LEVER ASSY		1						
29	2	114250-03640	SPRING, DECOMPRESSION		1						
30	2	22312-030160	PIN, PARALLEL M3X16		1						
32	1	26106-060552	BOLT, M6X 55 PLATED		2						

Fig.4. AIR CLEANER & SILENCER

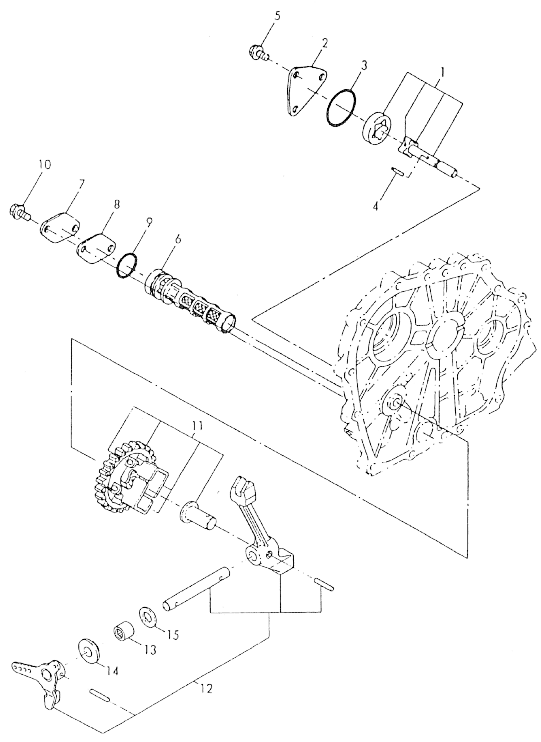


No.	Lev.	Parts No.	Description	Q'ty						
				(A)	(B)	(C)	(D)	(E)	(F)	
1	1	114250-12010	PIPE, AIR INTAKE		1					
2	1	114250-12200	GASKET		1					
3	1	114250-12210	GASKET, AIR CLEANER		1					
4	1	714250-12560	CLEANER ASSY, AIR		1					
5	3	114250-12520	COVER, AIR CREAMER		1					
6	3	114250-12530	CASE ASSY, CLEANER		1					
7	3	114250-12580	ELEMENT		1					
8	3	114250-12560	WASHER, SEAL M6		1					
9	2	114250-12550	NUT, WING M6		1					
10	1	26226-060162	STUD, M6X 16		1					
11	1	26106-060252	BOLT, M6X 25 PLATED		1					
12	1	26366-060002	NUT, M6		3					
13	1	114250-13200	GASKET, MUFFLER		1					
14	1	114250-13521	MUFFLER ASSY		1					
15	2	114250-13531	MUFFLER ASSY		1					
16	2	114250-13701	COVER, SILENCER		1					
17	2	26106-060082	BOLT, M6X 8 PLATED		6					
18	1	26106-060122	BOLT, M6X 12 PLATED		2					
19	1	26366-080002	NUT, M8		2					

N:Old  $\frac{100}{100}$  New, Q:Old  $\frac{100}{100}$  New, R:Old  $\frac{100}{100}$  New, S:Old  $\frac{100}{100}$  New, W:Add, Z:Discontinued, F:Interchangeable by set, K:Q'ty Change  
 Copyright (C) YANMAR CO., LTD. All Rights Reserved.



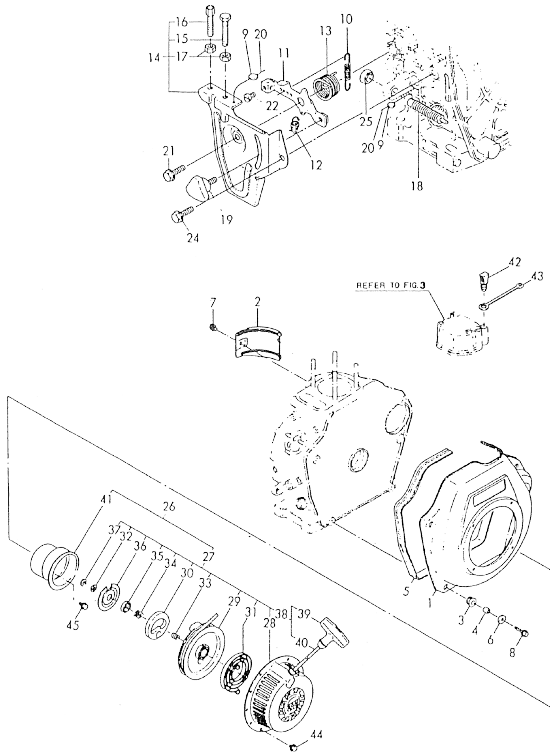
Fig.5. LUB.OIL & GOVERNOR



No.	Lev.	Parts No.	Description	Q'ty						I	R
				(A)	(B)	(C)	(D)	(E)	(F)		
1	1	114250-32010	PUMP ASSY, OIL		1						
2	1	114250-32070	COVER		1						
3	1	103338-32570	O-RING		1						
4	1	22312-030160	PIN, PARALLEL M3X16		1						
5	1	26476-060142	SCREW, TAPPING M6X14		3						
6	1	114250-35060	FILTER, OIL		1						
6-1	1	114250-35070	FILTER, OIL		1						S
7	1	114250-35250	COVER		1						Z
8	1	114250-35270	GASKET		1						
9	1	24341-000224	O-RING, 1AS22.4		1						
10	1	26106-060122	BOLT, M6X 12 PLATED		2						
10-1	1	26106-060162	BOLT, M6X 16 PLATED		1						S
11	1	714250-61500	LEVER ASSY, GOVERNOR		1						
12	1	714250-61700	GOVERNOR ASSY		1						
13	1	121450-61520	BEARING, NEEDLE 8		2						
14	1	114250-61600	BUSH		1						
14-1	1	114250-61900	BUSH		1						N
15	1	22137-080000	WASHER, 8		1						

N:Old  $\frac{100}{100}$  New, Q:Old  $\frac{100}{100}$  New, R:Old  $\frac{100}{100}$  New, S:Old  $\frac{100}{100}$  New, W:Add, Z:Discontinued, F:Interchangeable by set, K:Qty Change  
 Copyright (C) YANMAR CO., LTD. All Rights Reserved.

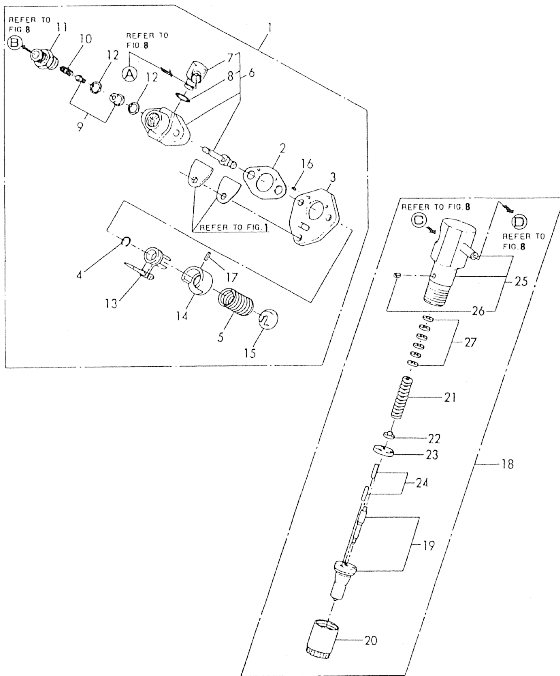
Fig.6. STARTING & CONTROL



No.	Lev.	Parts No.	Description	Q'ty						I	R
				(A)	(B)	(C)	(D)	(E)	(F)		
1	1	114260-45100	CASE, COOLING FAN		1						
1-1	1	114260-45101	CASE, COOLING FAN		1						N
				(B=54373)							
2	1	114250-45210	COVER		1						
2-1	1	114250-45211	COVER		1						N
				(B=54373)							
3	1	114250-45300	ABSORBER							4	
4	1	114250-45310	COLLAR							4	
5	1	114250-45330	SEAL, FAN CASE L=875							1	
6	1	160120-76940	WASHER							4	
7	1	26476-060142	SCREW, TAPPING M6X14							1	
8	1	26476-060252	SCREW, TAPPING M6X25							4	
9	1	135210-61090	LEAD							2	
10	1	114250-66010	SPRING, REGULATOR							1	
11	1	114250-66050	HANDLE, REGULATOR							1	
12	1	114250-66200	SPRING, RETURN							1	
13	1	114252-66252	SPRING, RETURN							1	
14	1	714268-66500	BRACKET ASSY, HANDLE							1	
15	3	160611-66440	BOLT, LIMITER							1	
15-1	1	114250-66440	BOLT, ADJUSTING							1	N
				(B=61876)							
16	3	102100-67080	BOLT, ADJUSTING							1	
17	2	26756-060002	NUT, LOCK M6							2	
18	1	114250-66550	LIMITER ASSY, FUEL							1	
19	1	160725-78350	KNOB							1	
20	1	22451-060000	WIRE, 0.6							2	
21	1	26106-060202	BOLT, M6X 20 PLATED							1	
22	1	26117-040088	BOLT M 4X 8 PLATED							1	
23	1	26347-060002	NUT, M6							1	
24	1	26476-060142	SCREW, TAPPING M6X14							1	
25	1	26696-100002	NUT, LOCK M10							1	
26	1	714260-76810	STARTER ASSY, RECOIL							1	
27	2	714260-76820	STARTER ASSY, RECOIL							1	
28	3	714260-76830	CASE, STARTER							1	
29	3	160260-76520	REEL							1	
30	3	160260-76530	RATCHET							1	
31	3	160260-76540	SPRING, SPIRAL							1	
32	3	160260-76550	WASHER, THRUST							1	
33	3	160260-76560	SPRING, FRICTION							1	
34	3	160290-76570	SPRING, RETURN							1	
35	3	160260-76580	COVER							1	
36	3	160260-76590	PLATE, FRICTION							1	
37	3	160260-76600	CIRCLIP							1	
38	3	160260-76610	ROPE ASSY, STARTER							1	
39	4	160260-76620	KNOB, STARTER							1	
40	4	160260-76630	ROPE, STARTER							1	
41	2	114250-76590	PULLEY, STARTER							1	
42	1	114250-76600	PLUNGER							1	
43	1	114250-76610	HOLDER, PLUNGER							1	
44	1	26106-060082	BOLT, M6X 8 PLATED							4	
45	1	26106-060122	BOLT, M6X 12 PLATED							3	

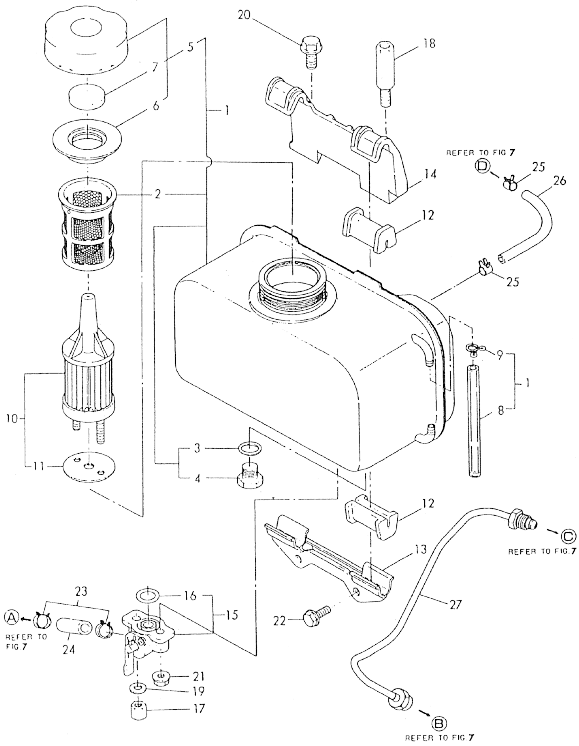
N:Old  $\frac{100}{100}$  New, Q:Old  $\frac{100}{100}$  New, R:Old  $\frac{100}{100}$  New, S:Old  $\frac{100}{100}$  New, W:Add, Z:Discontinued, F:Interchangeable by set, K:Q'ty Change  
 Copyright (C) YANMAR CO., LTD. All Rights Reserved.

Fig.7. FUEL INJECTION DEVICE



No.	Lev.	Parts No.	Description	Q'ty						I	R
				(A)	(B)	(C)	(D)	(E)	(F)		
1	1	714250-51710	PUMP ASSY, INJECTION								
1-1	1	714250-51701	PUMP ASSY, INJECTION (B=00001)		1						N
2	2	105546-51020	GASKET		1						
3	2	114250-51080	PLATE		1						
4	2	114250-51150	RING, SNAP		1						
5	2	114250-51160	SPRING, PLUNGER		1						
6	2	114250-51200	BODY ASSY, PUMP		1						
7	3	114250-51180	JOINT, PIPE		1						
8	3	114250-51190	O-RING, S27		1						
9	2	114250-51300	VALVE ASSY, DELIVERY		1						
10	2	105546-51330	SPRING, DELIVERY		1						
11	2	114250-51340	HOLDER, DELIVERY		1						
12	2	124550-51350	GASKET, DELIVERY		2						
13	2	114250-51600	LEVER ASSY, CONTROL		1						
14	2	114250-51640	SEAT, SPRING A		1						
15	2	114250-51650	SEAT, SPRING B		1						
16	2	22351-020006	PIN, SPRING 2.0X 6		2						
17	2	22351-030008	PIN, SPRING 3.0X 8		1						
18	1	714250-53101	VALVE ASSY, INJECTION		1						
19	2	114250-53001	VALVE ASSY, INJECTION		1						
20	2	114250-53080	NUT, NOZZLE D16.95		1						
21	2	114250-53120	SPRING, NOZZLE		1						
22	2	114250-53130	SEAT, SPRING		1						
23	2	114250-53140	PLATE		1						
24	2	114250-53210	PIN		2						
25	2	114250-53300	HOLDER ASSY, NOZZLE		1						
26	3	114250-53331	PIN		1						
27	2	114250-53400	SHIM SET		1						

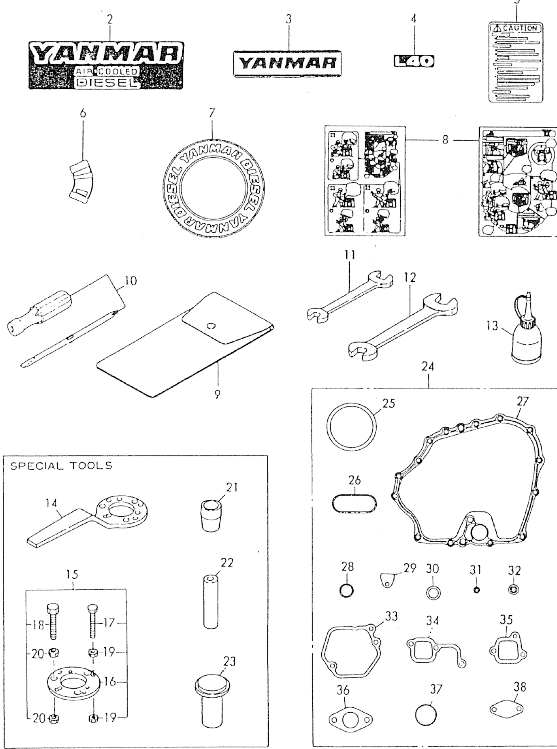
Fig.8. FUEL TANK & PIPE



No.	Lev.	Parts No.	Description	Q'ty						I	R
				(A)	(B)	(C)	(D)	(E)	(F)		
1	1	714350-55710	TANK ASSY, FUEL		1						
1-1	1	714350-55711	TANK ASSY, FUEL		1						N
(B=54373)											
2	2	114250-55100	FILTER, FUEL		1						
3	2	23414-120000	GASKET, 12X1.0		1						
4	2	23887-120002	PLUG, 12		1						
5	2	114250-55040	CAP ASSY		1						
5-1	2	114250-55041	CAP ASSY		1						N
(B=54373)											
6	3	114250-55050	GASKET		1						
7	3	114250-55060	SEAL		1						
8	2	104511-55160	GAUGE, LEVEL		1						
9	2	103854-55220	RETAINER		2						
10	1	114250-55120	FILTER ASSY, FUEL		1						
11	2	114250-55130	GASKET		1						
12	1	114250-55200	DAMPER, FUEL TANK		4						
12-1	1	114250-55201	DAMPER, FUEL TANK		4						N
(B=54373)											
13	1	114252-55230	STAY, FUEL TANK		1						
13-1	1	114252-55231	STAY, FUEL TANK		1						N
(B=54373)											
14	1	114252-55241	STAY, FUEL TANK		1						
14-1	1	114250-55231	STAY, FUEL TANK		1						N
(B=54373)											
15	1	114250-55300	COCK ASSY, FUEL		1						
16	2	24341-000150	O-RING, 1AS15.0		1						
17	1	114252-55800	NUT		1						
18	1	114252-55810	BOLT		1						
18-1	1	114650-55810	BOLT		1						S
(B=54373)											
19	1	22117-060000	WASHER, 6		1						
19-1	1	22117-080000	WASHER, 8		1						S
(B=54373)											
20	1	26106-080452	BOLT, M8X 45 PLATED		2						
21	1	26366-060002	NUT, M6		1						
22	1	26476-060142	SCREW, TAPPING M6X14		2						
23	1	106990-44660	CLIP, HOSE 12.5		2						
24	1	114250-59050	PIPE, FUEL L=46		1						
25	1	124722-59050	CLIP, HOSE 9		2						
26	1	114252-59060	PIPE, FUEL RETURN		1						
27	1	114250-59800	PIPE ASSY, INJECTION		1						

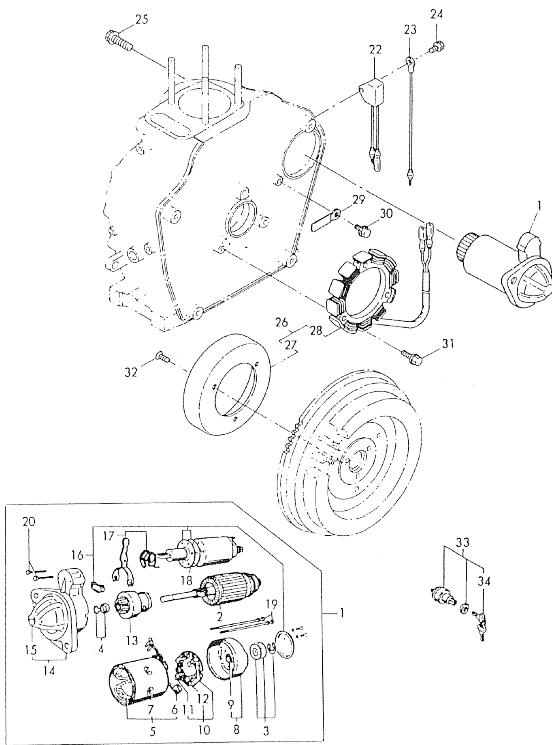
N:Old  $\frac{New}{Old}$  New, Q:Old  $\frac{New}{Old}$  New, R:Old  $\frac{New}{Old}$  New, S:Old  $\frac{New}{Old}$  New, W:Add, Z:Discontinued, F:Interchangeable by set, K:Qty Change  
 Copyright (C) YANMAR CO., LTD. All Rights Reserved.

Fig.9. LABELS,TOOLS & GASKET SET



No.	Lev.	Parts No.	Description	Q'ty						
				(A)	(B)	(C)	(D)	(E)	(F)	
2	1	114250-07090	LABEL,AIR COOLED		1					
3	1	114250-07110	LABEL, YANMAR (B)		1					
4	1	183250-07120	LABEL, ENGINE MODEL		1					
5	1	114268-07240	LABEL, CAUTION		1					
6	1	114250-07260	LABEL, OPERATION		1					
7	1	114250-07350	LABEL, DIESEL		1					
8	1	114268-07350	LABEL, HOW TO START		1					
9	1	114250-07950	LABRL, L		1					
10	1	114250-92600	BAG, TOOL		1					
11	1	160330-92730	DRIVE, SCREW		1					
12	1	28110-100120	SPANNER, 10X12		1					
13	1	28110-140170	SPANNER, 14X17		1					
14	1	28210-000150	OILER		1					
15	1	114250-92101	F.W. LOCKING HANDLE		1					
16	1	114250-92130	REMOVER, FLYWHEEL		1					
17	2	114250-92121	TOOL, WHEEL REMOVER		1					
18	2	26116-060454	BOLT M 6X 45 PLATED		4					
19	2	26116-080454	BOLT, M8X 45 PLATED		3					
20	2	26716-060002	NUT, M6		8					
21	2	26716-080002	NUT, M8		6					
22	1	114268-92300	GUIDE, OIL SEAL		1					
23	1	114250-92311	INSTALLING TOOL		1					
24	1	114250-92350	INSTALLING TOOL		1					
25	1	714250-92601	GASKET SET		1					S
25-1	1	714250-92602	GASKET SET		1					S
		(B=61876)								
26	2	114250-01340	GASKET, HEAD		1					
27	2	114250-01380	O-RING		1					
28	2	114250-01410	GASKET, CRANK CASE		1					
28-1	2	114250-01412	GASKET, CRANK CASE		1					S
		(B=61876)								
29	2	24311-000180	O-RING, 1AP18.0		2					
30	2	114250-01840	GASKET		1					
31	2	43400-500490	SEAL WASHER 16		2					
32	2	114250-11340	SEAL, VALVE STEM		2					
33	2	114250-11460	GASKET, NOZZLE		1					
34	2	114250-11310	GASKET, BONNET		1					
35	2	114250-12200	GASKET		1					
36	2	114250-12210	GASKET, AIR CLEANER		1					
37	2	114250-13200	GASKET, MUFFLER		1					
38	2	103338-32570	O-RING		1					
39	2	114250-35270	GASKET		1					

Fig.10. STARTING MOTOR



No.	Lev.	Parts No.	Description	Q'ty						I	R
				(A)	(B)	(C)	(D)	(E)	(F)		
1	1	114362-77010	STARTER, S114-414A		1						
2	2	X211461104	ARUATURE		1						
3	2	X21148110	WASHER SET, THRUST		1						
4	2	X21147155	STOPPER SET, PINION		1						
5	2	X211462104	FIELD COIL ASSY		1						
6	3	X21145312	BRUSH, +		2						
7	3	X21143215	SCREW, CORE		4						
8	2	X211473008	COVER, REAR		1						
9	3	X21145352	METAL		1						
10	2	X211489001	HOLDER ASSY, BRUSH		1						
11	3	X21148313	BRUSH (-)		1						
12	3	X21149314	SPRING, BRUSH		3						
13	2	X211445508	PINION ASSY		1						
14	2	X211416603	HOUSING		1						
15	3	X21145352	METAL		1						
16	2	X211478006	COVER KIT		1						
17	2	X211456013	KIT, SHIFT LEVER		1						
18	2	X211427501	SWITCH ASSY, MAGNET		1						
19	2	X211468005	BOLT, THROUGH		2						
20	2	X21145867	BOLT, M6		2						
21	2	X21142835	SCREW SET		1						
22	1	160970-77350	RECTIFIER, ZR2117		1						
23	1	183350-77400	WIRE, LEAD		1						
24	1	26106-060122	BOLT, M6X 12 PLATED		1						
25	1	26106-100302	BOLT, M10X 30 PLATED		2						
26	1	114351-78200	DYNAMO ASSY		1						
26-1	1	114351-78250	DYNAMO ASSY		1						S
		(B=50001)									
27	2	114351-78610	WHEEL, DYNAMO		1						S
27-1	2	114351-78760	WHEEL, DYNAMO		1						S
		(B=50001)									
28	2	114351-78620	STATOR ASSY		1						
28-1	2	114351-78750	STATOR ASSY		1						S
		(B=50001)									
29	1	160710-78710	CLAMP, CORD		1						
30	1	26476-060142	SCREW, TAPPING M6X14		1						
31	1	26476-060202	SCREW, TAPPING M6X20		3						
32	1	26577-060142	SCREW M 6X 14		3						
33	1	106100-77620	SWITCH, KEY		1						
34	2	106100-77630	KEY, SWITCH		1						

N:Old  $\frac{100}{100}$  New, Q:Old  $\frac{100}{100}$  New, R:Old  $\frac{100}{100}$  New, S:Old  $\frac{100}{100}$  New, W:Add, Z:Discontinued, F:Interchangeable by set, K:Q'ty Change  
 Copyright (C) YANMAR CO., LTD. All Rights Reserved.

## Parts No. Index

Parts No.	Fig. No.	Ref. No.
102100-67080	6	16
103338-32570	5	3
	9	38
103854-01221	2	20
103854-55220	8	9
104511-55160	8	8
105425-01690	1	11
105546-51020	7	2
105546-51330	7	10
106100-77620	10	33
106100-77630	10	34
106990-44660	8	23
114250-01200	1	2
114250-01210	1	3
114250-01220	1	4
114250-01250	1	5
114250-01340	1	7
	9	26
114250-01380	1	8
	9	27
114250-01410	9	28
114250-01411	1	9
114250-01412	1	9 -1
	9	28 -1
114250-01800	1	14
114250-01830	1	15
114250-01840	1	16
	9	30
114250-02030	1	25
114250-02100	1	26
114250-02112	1	27
114250-02113	1	27 -1
114250-02200	1	34
114250-02210	1	35
114250-03591	3	28
114250-03640	3	29
114250-07090	9	2
114250-07110	9	3
114250-07260	9	6
114250-07350	9	7
114250-07950	9	9
114250-11020	3	1
114250-11101	3	2
114250-11112	3	3
114250-11120	3	4
114250-11180	3	5
114250-11190	3	6
114250-11240	3	13
		16
114250-11290	3	7

Parts No.	Fig. No.	Ref. No.
114250-11310	3	25
	9	34
114250-11340	3	8
	9	32
114250-11460	3	9
	9	33
114250-11600	3	11
114250-11651	3	12
114250-11661	3	15
114250-11900	3	18
114250-11951	3	26
114250-12010	4	1
114250-12200	4	2
	9	35
114250-12210	4	3
	9	36
114250-12520	4	5
114250-12530	4	6
114250-12550	4	9
114250-12560	4	8
114250-12580	4	7
114250-13200	4	13
	9	37
114250-13521	4	14
114250-13531	4	15
114250-13701	4	16
114250-14200	2	16
114250-14260	2	17
114250-14450	2	18 -1
114250-14900	2	18
114250-21550	2	24
114250-22302	2	3
114250-23200	2	10
114250-23220	2	11
114250-23250	2	12
114250-32010	5	1
114250-32070	5	2
114250-35060	5	6
114250-35070	5	6 -1
114250-35150	1	33
114250-35250	5	7
114250-35270	5	8
	9	39
114250-45210	6	2
114250-45211	6	2 -1
114250-45300	6	3
114250-45310	6	4
114250-45330	6	5
114250-51080	7	3
114250-51150	7	4

Parts No.	Fig. No.	Ref. No.
114250-51160	7	5
114250-51180	7	7
114250-51190	7	8
114250-51200	7	6
114250-51300	7	9
114250-51340	7	11
114250-51600	7	13
114250-51640	7	14
114250-51650	7	15
114250-53001	7	19
114250-53080	7	20
114250-53120	7	21
114250-53130	7	22
114250-53140	7	23
114250-53210	7	24
114250-53300	7	25
114250-53331	7	26
114250-53400	7	27
114250-55040	8	5
114250-55041	8	5 -1
114250-55050	8	6
114250-55060	8	7
114250-55100	8	2
114250-55120	8	10
114250-55130	8	11
114250-55200	8	12
114250-55201	8	12 -1
114250-55231	8	14 -1
114250-55300	8	15
114250-59050	8	24
114250-59800	8	27
114250-61600	5	14
114250-61900	5	14 -1
114250-66010	6	10
114250-66050	6	11
114250-66200	6	12
114250-66440	6	15 -1
114250-66550	6	18
114250-76590	6	41
114250-76600	6	42
114250-76610	6	43
114250-92101	9	15
114250-92121	9	17
114250-92130	9	16
114250-92311	9	23
114250-92350	9	24
114250-92600	9	10
114250-99100	1	1 -1
114252-55230	8	13
114252-55231	8	13 -1

Parts No.	Fig. No.	Ref. No.
114252-55241	8	14
114252-55800	8	17
114252-55810	8	18
114252-59060	8	26
114252-66252	6	13
114260-01451	1	10
114260-01452	1	10 -1
114260-01453	1	10 -2
114260-45100	6	1
114260-45101	6	1 -1
114262-21580	2	22
114262-21581	2	22 -1
114262-21600	2	23
114268-07240	9	5
114268-07350	9	8
114268-92300	9	22
114350-11470	3	10
114351-78200	10	26
114351-78250	10	26 -1
114351-78610	10	27
114351-78620	10	28
114351-78750	10	28 -1
114351-78760	10	27 -1
114362-77010	10	1
114650-55810	8	18 -1
121450-61520	5	13
124060-01050	1	17
124550-51350	7	12
124722-59050	8	25
124950-01250	1	6
135210-61090	6	9
160110-02220	1	28
160120-76940	6	6
160210-02220	1	29
160260-76520	6	29
160260-76530	6	30
160260-76540	6	31
160260-76550	6	32
160260-76560	6	33
160260-76580	6	35
160260-76590	6	36
160260-76600	6	37
160260-76610	6	38
160260-76620	6	39
160260-76630	6	40
160290-76570	6	34
160330-92730	9	11
160611-66440	6	15
160710-01760	1	12
160710-78710	10	29

## Parts No. Index

Parts No.	Fig. No.	Ref. No.
160725-78350	6	19
160970-77350	10	22
183250-07120	9	4
183350-77400	10	23
22117-060000	8	19
22117-080000	8	19 -1
22137-080000	5	15
22252-000190	2	4
22312-030080	2	13
22312-030160	3	30
	5	4
22312-080120	1	18
22351-020006	7	16
22351-030008	7	17
22351-040008	3	19
22451-060000	6	20
22512-040120	2	25
22512-050300	2	21
23414-120000	8	3
23887-120002	8	4
24101-062024	2	27
24101-062050	1	30
24162-152112	1	31
24311-000180	1	13
	9	29
24341-000150	8	16
24341-000224	5	9
26106-060082	4	17
	6	44
26106-060122	4	18
	5	10
	6	45
	10	24
26106-060162	5	10 -1
26106-060202	6	21
26106-060252	1	19
	4	11
26106-060552	3	32
26106-080122	1	32
26106-080352	1	20
26106-080452	3	20
	8	20
26106-100302	10	25
26116-060454	9	18
26116-080454	9	19
26117-040088	6	22
26216-080182	3	21
26226-060162	4	10
26226-060182	1	21
26226-060222	1	22

Parts No.	Fig. No.	Ref. No.
26226-060502	3	22
26226-060552	3	23
26347-060002	6	23
26366-060002	1	23
	3	24
	4	12
	8	21
26366-080002	4	19
26476-060142	5	5
	6	7
		24
	8	22
	10	30
	10	31
26476-060202	6	8
26476-060252	10	32
26577-060142	6	25
26696-100002	9	20
26716-060002	9	21
26716-080002	3	14
26756-060002		17
	6	17
28110-100120	9	12
28110-140170	9	13
28210-000150	9	14
43400-500490	1	24
	9	31
714250-11570	3	6 -1
714250-12560	4	4
714250-22501	2	2
714250-22502	2	2 -1
714250-22540	2	6
714250-22542	2	6 -1
714250-22550	2	8
714250-22580	2	7
714250-22620	2	5
714250-22624	2	5 -1
714250-22723	2	1
714250-23600	2	14
714250-23610	2	28
714250-23620	2	29
714250-23703	2	9
714250-28511	2	26
714250-51701	7	1 -1
714250-51710	7	1
714250-53101	7	18
714250-61500	5	11
714250-61700	5	12
714250-92601	9	25
714250-92602	9	25 -1

Parts No.	Fig. No.	Ref. No.
714251-01560	1	1
714251-01562	1	1 -2
714251-01563	1	1 -3
714260-14581	2	15
714260-22580	2	7 -1
714260-22620	2	5 -2
714260-22720	2	1 -1
714260-76810	6	26
714260-76820	6	27
714260-76830	6	28
714268-21760	2	19
714268-66500	6	14
714350-55710	8	1
714350-55711	8	1 -1
X211416603	10	14
X211427501	10	18
X21142835	10	21
X21143215	10	7
X211445508	10	13
X21145312	10	6
X21145352	10	9
		15
X211456013	10	17
X21145867	10	20
X211461104	10	2
X211462104	10	5
X211468005	10	19
X21147155	10	4
X211473008	10	8
X211478006	10	16
X21148110	10	3
X21148313	10	11
X211489001	10	10
X21149314	10	12

Parts No.	Fig. No.	Ref. No.
-----------	----------	----------