

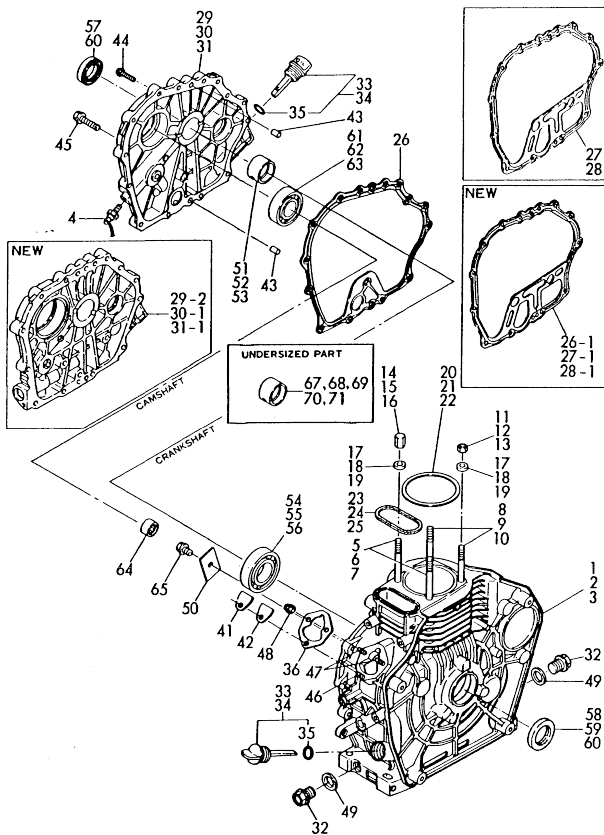
OCR10-M32701EN

## Contents

Fig. No.	Fig. Name	Fig. No.	Fig. Name
	ENGINE(L40-90E-DEGMO		
1.	CYLINDER BLOCK		
2.	CRANK / PISTON / ROD		
3.	CYLINDER HEAD		
4.	AIR CLEANER & SILENCER		
5.	L.O.PUMP & GOVERNOR		
6.	FAN CASE / ENGIN CONTROLE		
7.	FUEL INJECTION PUMP & VALVE		
8.	F.O.TANK & PIPE		
9.	STATER MOTOR & DYNAMO		
10.	T00LS & LABEL		

Fig.1. CYLINDER BLOCK

Fig. 1 CYLINDER BLOCK



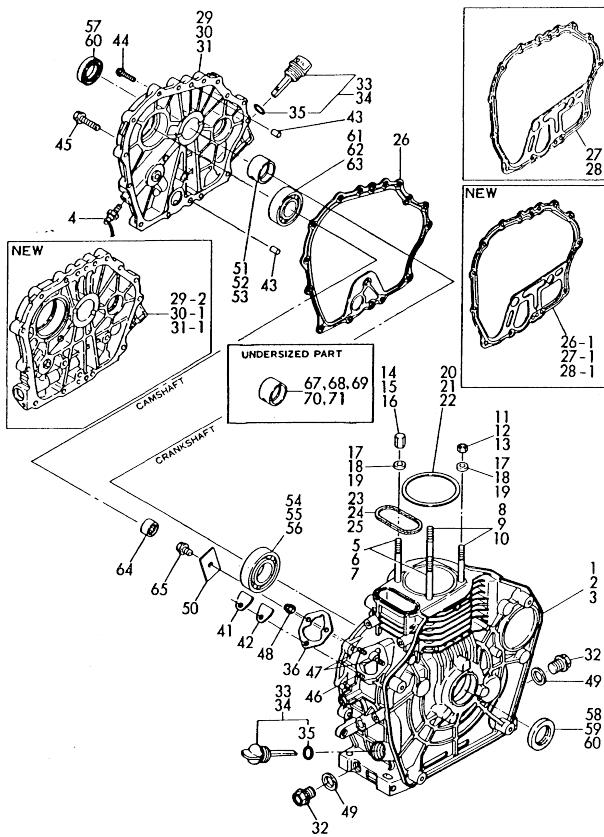
No.	Lev.	Parts No.	Description	Q'ty						I	R
				(A)	(B)	(C)	(D)	(E)	(F)		
1	1	114250-99100	BLOCK ASSY, CYLINDER	1	1						
1-1	1	714251-01562	BLOCK ASSY, CYLINDER	1	1						S
		(A=50001) (B=50001)									
1-2	1	714251-01563	BLOCK ASSY, CYLINDER	1	1						N
		(A=54373) (B=54373)									
2-1	1	714351-01563	BLOCK ASSY, CYLINDER			1	1				S
		(C=50001) (D=50001)									
2-2	1	714351-01564	BLOCK ASSY, CYLINDER			1	1				N
		(C=52623) (D=52623)									
2-A	1	114350-99100	BLOCK ASSY, CYLINDER			1					
2-B	1	114350-99110	BLOCK ASSY, CYLINDER				1				
3	1	714651-01561	BLOCK ASSY, CYLINDER					1	1		
4	1	183250-39450	SWITCH, 1.0KG	1	1	1	1	1	1	1	
5	1	114250-01200	BOLT, HEAD	2	2						
6	1	114350-01200	BOLT, HEAD			2	2				
7	1	114650-01230	BOLT, HEAD					2	2		
8	1	114250-01210	BOLT, HEAD	2	2						
9	1	114350-01210	BOLT, HEAD			2	2				
10	1	114650-01240	BOLT, HEAD					2	2		
11	1	114250-01220	NUT, CYLINDER HEAD	2	2						
12	1	114350-01220	NUT, CYLINDER HEAD			2	2				
13	1	105025-01220	NUT, CYLINDER HEAD					2	2		
14	1	114250-01250	NUT, CAP	2	2						
15	1	114350-01250	NUT, CYLINDER HEAD			2	2				
16	1	114650-01250	NUT, CYLINDER HEAD					2	2		
17	1	124950-01250	WASHER	4	4						
18	1	105225-01240	WASHER			4	4				
19	1	114650-01260	WASHER					4	4		
20	1	114250-01340	GASKET, HEAD	1	1						
21	1	114350-01340	GASKET, HEAD			1	1				
22	1	114650-01340	GASKET, HEAD					1	1		
23	1	114250-01380	O-RING	1	1						
24	1	114350-01380	O-RING			1	1				
25	1	114650-01380	O-RING					1	1		
26	1	114250-01411	GASKET, CRANK CASE	1	1						
26-1	1	114250-01412	GASKET, CRANK CASE	1	1						S
		(A=61876) (B=61876)									
27	1	114350-01411	GASKET, CRANK CASE			1	1				
27-1	1	114350-01412	GASKET, CRANK CASE			1	1				S
		(C=58254) (D=58254)									
28	1	114650-01411	GASKET, CRANK CASE					1	1		
28-1	1	114650-01412	GASKET, CRANK CASE					1	1		S
		(E=04445) (F=04445)									
29	1	114260-01451	COVER, CRANK CASE	1	1						
29-1	1	114260-01452	COVER, CRANK CASE	1	1						N
		(A=54373) (B=54373)									
29-2	1	114260-01453	COVER, CRANK CASE	1	1						S
		(A=61876) (B=61876)									
30	1	114368-01451	COVER, CRANK CASE			1	1				
30-1	1	114368-01452	COVER, CRANK CASE			1	1				S
		(C=58254) (D=58254)									

N:Old  $\frac{New}{Old}$  New, Q:Old  $\frac{New}{Old}$  New, R:Old  $\frac{New}{Old}$  New, S:Old  $\frac{New}{Old}$  New, W:Add, Z:Discontinued, F:Interchangeable by set, K:Q'ty Change  
 ++ CONTINUE ++  
 Copyright (C) YANMAR CO., LTD. All Rights Reserved.

Remarks  
 (Y) UNDERSIZED PART

Fig.1. CYLINDER BLOCK

Fig. 1 CYLINDER BLOCK

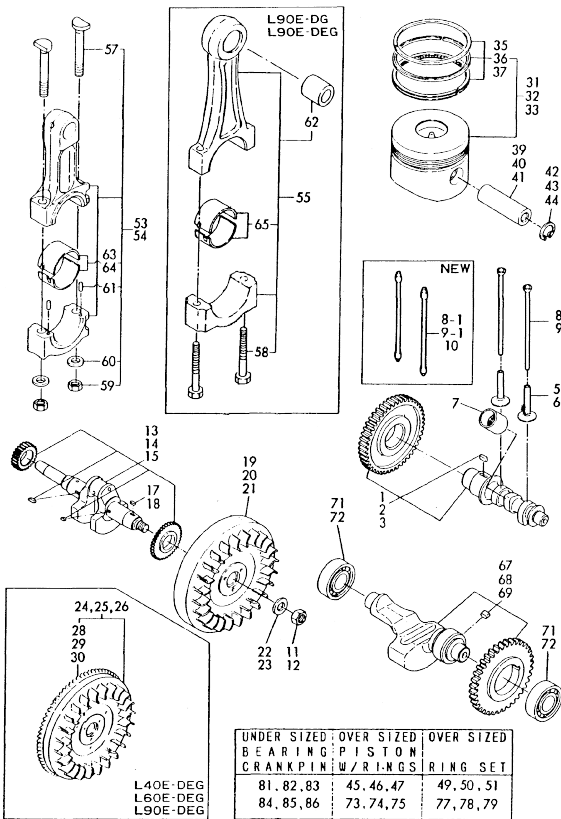


No.	Lev.	Parts No.	Description	Qty						I	R		
				(A)	(B)	(C)	(D)	(E)	(F)				
31	1	114660-01451	COVER, CRANK CASE							1	1		
31-1	1	114650-01470	COVER (D),CRANK CASE							1	1	S	
						(E=04445)				(F=04445)			
32	1	105425-01690	PLUG, 16	2	2	2	2	2	2				
33	1	160710-01760	CAP ASSY, L82	2	2								
34	1	160910-01740	CAP ASSY			2	2	2	2				
35	2	24311-000180	O-RING, 1AP18.0	2	2	2	2	2	2				
36	1	114250-01800	SHIM SET	1	1	1	1	1	1				
41	1	114250-01830	COVER	1	1	1	1	1	1				
42	1	114250-01840	GASKET	1	1	1	1	1	1				
43	1	22312-080120	PIN, PARALLEL M8X12	2	2	2	2	2	2				
44	1	26106-060252	BOLT, M6X 25 PLATED	14	14								
45	1	26106-080352	BOLT, M8X 35 PLATED	1	1	15	15	16	16				
46	1	26226-060182	STUD, M6X 18	1	1	1	1	1	1				
47	1	26226-060222	STUD, M6X 22	2	2	2	2	2	2				
48	1	26366-060002	NUT, M6	3	3	3	3	3	3				
49	1	43400-500490	SEAL WASHER 16	2	2	2	2	2	2				
50	1	114250-02030	RETAINER, BEARING	1	1	1	1	1	1				
51	1	114250-02100	BEARING, MAIN	1	1								
52	1	114350-02100	BEARING, MAIN				1	1					
53	1	114650-02100	BEARING, MAIN							1	1		
54	1	114250-02112	BEARING, HR6206G3C3	1	1								
54-1	1	114250-02113	BEARING, HR6306G3C3	1	1							S	
			(A=50001) (B=50001)										
55	1	114350-02112	BEARING, HR6207G3C3				1	1					
55-1	1	114350-02113	BEARING, B35-135G3C3				1	1				S	
			(C=50001) (D=50001)										
56	1	114650-02150	BEARING, HR6308G3C3							1	1		
57	1	160110-02220	SEAL, OIL	1	1	1	1	1	1				
58	1	160210-02220	SEAL, 25X41.2X8	1	1								
59	1	160110-02220	SEAL, OIL				1	1					
60	1	24423-355008	SEAL, OIL TC355008							2	2		
61	1	24101-062050	BEARING, BALL 6205C3	1	1								
62	1	24101-062060	BEARING, BALL 6206C3				1	1					
63	1	24101-062070	BEARING, BALL 6207C3							1	1		
64	1	24162-152112	BEARING, 152112	1	1	1	1	1	1	1	1		
65	1	26106-080122	BOLT, M8X 12 PLATED	1	1	1	1	1	1	1	1		
66	1	114250-35150	PIPE, OIL INLET	1	1	1	1	1	1	1	1	W	
			(A=61876) (B=61876) (C=58254) (D=58254) (E=04445) (F=04445)										
67	1	114250-02200	BEARING, 0.25 US										Y
68	1	114350-02200	BEARING, 0.25 US	1	1								Y
69	1	114650-02200	BEARING, 0.25 US				1	1					Y
70	1	114250-02210	BEARING, 0.50 US	1	1								Y
71	1	114350-02210	BEARING, 0.50 US				1	1					Y
72	1	114650-02210	BEARING, 0.50 US							1	1		Y

Remarks  
(Y) UNDERSIZED PART

Fig.2. CRANK / PISTON / ROD

Fig.2 CRANK, ROD & PISTON



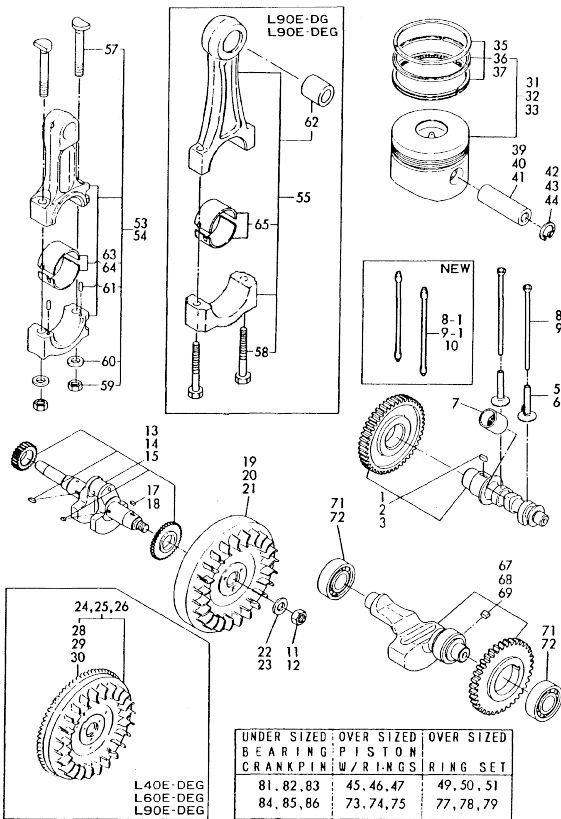
No.	Lev.	Parts No.	Description	Q'ty						I	R
				(A)	(B)	(C)	(D)	(E)	(F)		
1	1	714260-14581	CAMSHAFT ASSY								
2	1	714360-14580	CAMSHAFT ASSY	1	1						
3	1	714660-14580	CAMSHAFT ASSY			1	1				
3-1	1	714660-14581	CAMSHAFT ASSY					1	1	S	
3-2	1	714660-14582	CAMSHAFT ASSY			(E=02617)		(F=02617)		S	
5	1	114250-14200	TAPPET		2	2	2	2			
6	1	114650-14200	TAPPET						2	2	
7	1	114250-14260	TAPPET		1	1	1	1	1	1	
8	1	114250-14900	ROD, PUSH		2	2					
8-1	1	114250-14450	ROD ASSY, PUSH		2	2					N
9	1	114350-14900	ROD, PUSH				2	2			
9-1	1	114350-14450	ROD ASSY, PUSH				2	2			N
10	1	114650-14401	ROD ASSY, PUSH						2	2	
11	1	103854-01221	NUT, CYLINDER HEAD	1	1	1	1				
12	1	122710-01220	NUT, CYLINDER HEAD						1	1	
13	1	714268-21730	CRANKSHAFT ASSY	1	1						
14	1	714368-21730	CRANKSHAFT ASSY			1	1				
15	1	714668-21760	CRANKSHAFT ASSY						1	1	
17	1	22512-040120	KEY, 4X 12	1	1	1	1				
18	1	22512-050140	KEY, 5X 14						1	1	
19	1	114260-21400	FLYWHEEL		1						
19-1	1	114260-21401	FLYWHEEL		1						N
20	1	114360-21400	FLYWHEEL			1					
21	1	114660-21400	FLYWHEEL						1		
21-1	1	114660-21401	FLYWHEEL						1		N
22	1	114250-21550	WASHER	1	1	1	1				
23	1	114650-21551	WASHER						1	1	
24	1	114262-21590	FLYWHEEL ASSY		1						
24-1	1	114262-21591	FLYWHEEL ASSY		1						N
25	1	114362-21590	FLYWHEEL ASSY					1			
26	1	114662-21591	FLYWHEEL ASSY							1	
26-1	1	114662-21592	FLYWHEEL ASSY							1	N
28	2	114262-21600	GEAR, RING		1						
29	2	114362-21600	GEAR, RING					1			
30	2	114662-21601	GEAR, RING							1	
31	1	714250-22723	PISTON ASSY, 19-63		1						
31-1	1	714260-22720	PISTON ASSY, D		1	1					S
32	1	714360-22723	PISTON ASSY, 21-70-25					1	1		
32-1	1	714360-22724	PISTON ASSY, 21-70-25					1	1		S
32-2	1	714360-22725	PISTON ASSY, 21-70-25					1	1		N

Remarks  
(H) OVERSIZED PART.  
(Y) UNDERSIZED PART.

N:Old  $\frac{New}{Old}$  New, Q:Old  $\frac{New}{Old}$  New, R:Old  $\frac{New}{Old}$  New, S:Old  $\frac{New}{Old}$  New, W:Add, Z:Discontinued, F:Interchangeable by set, K:Qty Change  
++ CONTINUE ++  
Copyright (C) YANMAR CO., LTD. All Rights Reserved.

Fig.2. CRANK / PISTON / ROD

Fig.2 CRANK, ROD & PISTON



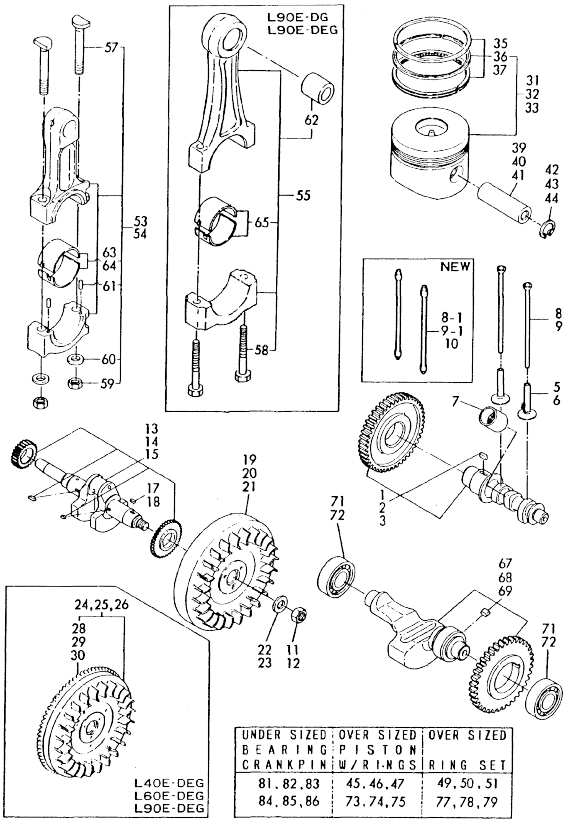
No.	Lev.	Parts No.	Description	Qty						I	R		
				(A)	(B)	(C)	(D)	(E)	(F)				
33	1	714660-22720	PISTON ASSY							1	1		
33-1	1	714660-22723	PISTON ASSY, D							1	1	N	
						(E=02617)				(F=02617)			
35	2	714250-22502	RING SET, PISTON	1	1								
36	2	714350-22502	RING SET, PISTON			1	1						
37	2	714650-22501	RING SET, PISTON					1	1				
39	1	114250-22302	PIN, PISTON D=19	1	1								
40	1	114350-22301	PIN, PISTON D=21			1	1						
41	1	114650-22300	PIN, PISTON D=23					1	1				
42	1	22252-000190	RING, 19	2	2								
43	1	22252-000210	RING, 21			2	2						
44	1	129792-22400	CIRCLIP, 23					2	2				
45	1	714250-22621	PISTON ASSY, 0.25 OS	1	1							H	
45-1	1	714250-22624	PISTON ASSY, 0.25 OS	1	1							N	H
		(A=51828) (B=51828)											
45-2	1	714260-22620	PISTON ASSY, 0.25 OS	1	1							S	H
		(A=54373) (B=54373)											
46	1	714360-22621	PISTON ASSY, 0.25 OS			1	1					H	
46-1	1	714360-22625	PISTON ASSY, 0.25 OS			1	1					S	H
		(C=50339) (D=50339)											
47	1	714660-22620	PISTON ASSY, 0.25 OS					1	1			H	
47-1	1	714660-22623	PISTON ASSY, 0.25 OS					1	1			N	H
						(E=02167) (F=02167)							
49	2	714250-22541	RING SET, 0.25 OS	1	1							H	
49-1	2	714250-22542	RING SET, 0.25 OS	1	1							N	H
		(A=EXXX) (B=EXXX)											
50	2	714350-22541	RING SET, 0.25 OS			1	1					H	
50-1	2	714350-22542	RING SET, 0.25 OS			1	1					N	H
		(C=EXXX) (D=EXXX)											
51	2	714650-22540	RING SET, 0.25 OS					1	1			H	
53	1	714250-23703	ROD ASSY, CONNECTING	1	1								
54	1	714350-23703	ROD ASSY, CONNECTING			1	1						
54-1	1	714350-23704	ROD ASSY, CONNECTING			1	1					S	
		(C=50399) (D=50399)											
55	1	714650-23700	ROD ASSY, CONNECTING							1	1		
57	2	114250-23200	BOLT, CONNECTING ROD	2	2	2	2						
58	2	104200-23201	BOLT, CONNECTING ROD							2	2		
59	2	114250-23220	NUT	2	2	2	2						
60	2	114250-23250	WASHER	2	2	2	2						
61	2	22312-030080	PIN, PARALLEL M3X 8	2	2	2	2						
62	2	124060-23100	BEARING, PISTON PIN							1	1		
63	2	714250-23600	BEARING, CRANK PIN	1	1								
64	2	714350-23600	BEARING, CRANK PIN			1	1						
65	2	714650-23600	BEARING, CRANK PIN					1	1				
67	1	714250-28510	SHAFT ASSY, BALANCER	1	1								
68	1	714350-28510	SHAFT ASSY, BALANCER			1	1						
69	1	714650-28510	SHAFT ASSY, BALANCER							1	1		
71	1	24101-062024	BEARING, BALL 6202	2	2	2	2						
72	1	24101-062034	BEARING, BALL 6203							2	2		
73	1	714250-22580	PISTON ASSY, 0.50 OS	1	1								H
73-1	1	714260-22580	PISTON ASSY, 0.50 OS	1	1								S

Remarks  
(H) OVERSIZED PART.  
(Y) UNDERSIZED PART.

N:Old <sup>REV</sup>/<sub>REV</sub> New, Q:Old <sup>REV</sup>/<sub>REV</sub> New, R:Old <sup>REV</sup>/<sub>REV</sub> New, S:Old <sup>REV</sup>/<sub>REV</sub> New, W:Add, Z:Discontinued, F:Interchangeable by set, K:Qty Change  
++ CONTINUE ++  
Copyright (C) YANMAR CO., LTD. All Rights Reserved.

Fig.2. CRANK / PISTON / ROD

Fig. 2 CRANK, ROD & PISTON



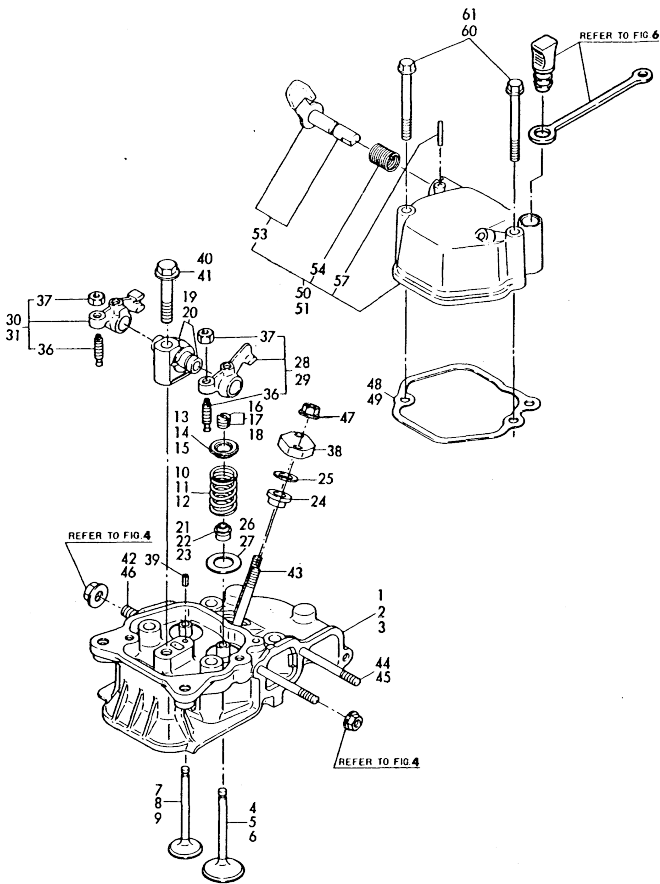
No.	Lev.	Parts No.	Description	Q'ty						I	R	
				(A)	(B)	(C)	(D)	(E)	(F)			
		(A=54373)	(B=54373)									
74	1	714360-22580	PISTON ASSY, 0.50 OS				1	1				H
75	1	714660-22580	PISTON ASSY, 0.50 OS						1	1		H
77	2	714250-22550	RING SET, 0.50 OS		1	1						H
78	2	714350-22550	RING SET, 0.50 OS				1	1				H
79	2	714650-22550	RING SET, 0.50 OS						1	1		H
81	1	714250-23610	BEARING ASSY, 0.25	1	1							Y
82	1	714350-23610	BEARING ASSY, 0.25				1	1				Y
83	1	714650-23610	BEARING ASSY, 0.25						1	1		Y
84	1	714250-23620	BEARING, 0.50 US	1	1							Y
85	1	714350-23620	BEARING, 0.50 US				1	1				Y
86	1	714650-23620	BEARING, 0.50 US						1	1		Y


Remarks  
 (H) OVERSIZED PART.  
 (Y) UNDERSIZED PART.

N:Old  $\frac{100}{100}$  New. Q:Old  $\frac{100}{100}$  New. R:Old  $\frac{100}{100}$  New. S:Old  $\frac{100}{100}$  New. W:Add. Z:Discontinued. F:Interchangeable by set. K:Qty Change  
 Copyright (C) YANMAR CO., LTD. All Rights Reserved.

Fig.3. CYLINDER HEAD

Fig.3 CYLINDER HEAD



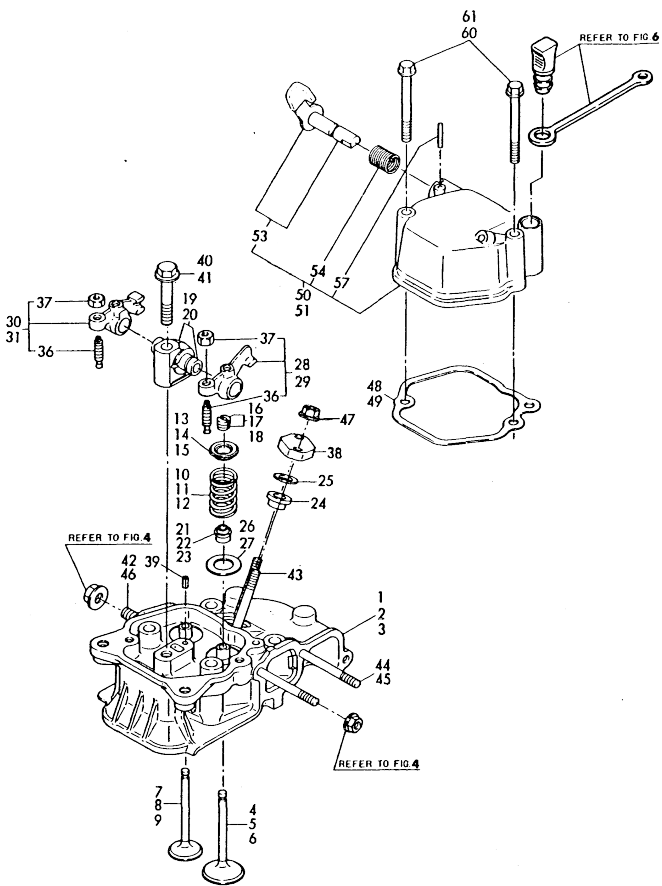
No.	Lev.	Parts No.	Description	Qty						I	R
				(A)	(B)	(C)	(D)	(E)	(F)		
1	1	114250-11020	HEAD ASSY, CYLINDER								
2	1	114350-11020	HEAD ASSY, CYLINDER	1	1						
2-1	1	114350-11021	HEAD ASSY, CYLINDER			1	1				N
3	1	114650-11010	HEAD ASSY, CYLINDER (C=52623) (D=52623)								
4	1	114250-11101	VALVE, INTAKE	1	1						
5	1	114350-11101	VALVE, INTAKE			1	1				
6	1	114650-11100	VALVE, INTAKE					1	1		
7	1	114250-11112	VALVE, EXHAUST	1	1						
8	1	114350-11112	VALVE, EXHAUST			1	1				
9	1	114650-11110	VALVE, EXHAUST					1	1		
9-1	1	114654-11110	VALVE, EXHAUST					1	1		N
10	1	114250-11120	SPRING, VALVE	2	2						
11	1	114350-11120	SPRING, VALVE			2	2				
12	1	114650-11120	SPRING, VALVE					2	2		
12-1	1	114650-11121	SPRING, VALVE					2	2		N
13	1	114250-11180	RETAINER, SPRING	2	2						
14	1	101158-11180	RETAINER, SPRING			2	2				
15	1	119620-11180	RETAINER, SPRING					2	2		
16	1	114250-11190	COTTER	4	4						
16-1	1	714250-11570	COTTER ASSY	2	2						N
17	1	105010-11190	COTTER			4	4				
17-1	1	27310-060001	COTTER, 6			2	2				N
18	1	101158-11190	COTTER					4	4		
18-1	1	27310-070001	COTTER, 7					2	2		N
19	1	114250-11290	SUPPORT, ROCKER ARM	1	1	1	1				
20	1	114650-11261	SUPPORT, ROCKER ARM					1	1		
21	1	114250-11340	SEAL, VALVE STEM	2	2						
22	1	114350-11340	SEAL, VALVE STEM			2	2				
23	1	114650-11340	SEAL, VALVE STEM	1	1	1	1	1	1	1	1
24	1	114250-11460	GASKET, NOZZLE	1	1	1	1	1	1	1	1
25	1	114350-11470	SPACER, NOZZLE	1	1	1	1	1	1	1	1
26	1	114250-11600	WASHER	2	2	2	2				
27	1	114650-11600	WASHER					2	2		
28	1	114250-11651	ARM, ROCKER	1	1	1	1				
29	1	114650-11652	ARM, ROCKER					1	1		
30	1	114250-11661	ARM, ROCKER	1	1	1	1				
31	1	114650-11662	ARM, ROCKER					1	1		
36	2	114250-11240	SCREW, VALVE ADJUST	2	2	2	2	2	2		
37	2	26756-060002	NUT, LOCK M6	2	2	2	2	2	2		
38	1	114250-11900	RETAINER, NOZZLE	1	1	1	1	1	1	1	1
39	1	22351-040008	PIN, SPRING 4.0X 8	1	1	1	1	1	1	1	1
40	1	26106-080452	BOLT, M8X 45 PLATED	1	1	1	1	1	1		
41	1	26106-100552	BOLT, M10X 55 PLATED							1	1
42	1	26216-080182	STUD, M8X 18	2	2	2	2	2	2		
43	1	26226-060502	STUD, M6X 50	2	2	2	2	2	2		

N:Old  $\frac{New}{Old}$  New, Q:Old  $\frac{New}{Old}$  New, R:Old  $\frac{New}{Old}$  New, S:Old  $\frac{New}{Old}$  New, W:Add, Z:Discontinued, F:Interchangeable by set, K:Qty Change  
 ++ CONTINUE ++  
 Copyright (C) YANMAR CO., LTD. All Rights Reserved.



Fig.3. CYLINDER HEAD

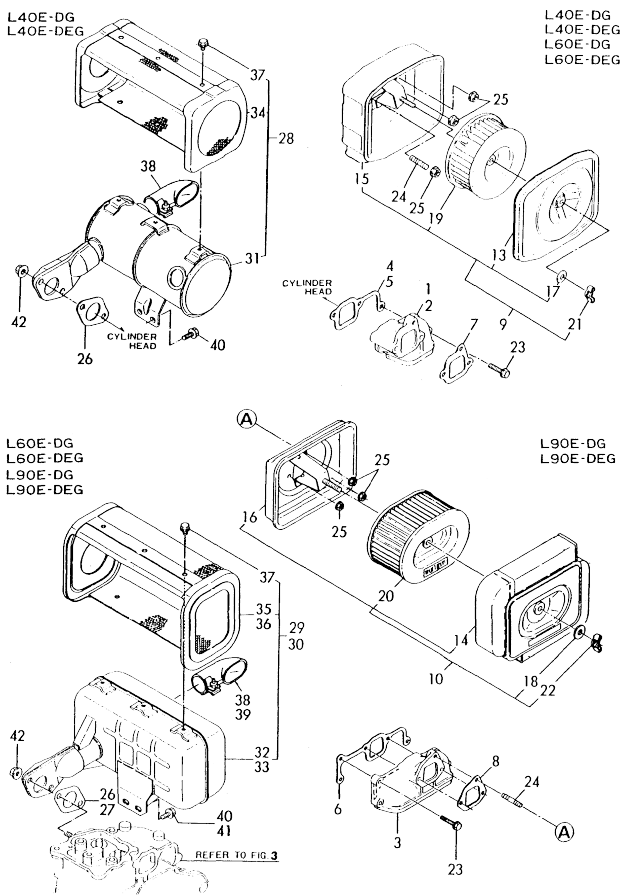
Fig.3 CYLINDER HEAD



No.	Lev.	Parts No.	Description	Q'ty						I	R
				(A)	(B)	(C)	(D)	(E)	(F)		
44	1	26226-060552	STUD, M6X 55								
45	1	26226-060752	STUD, M6X 75					2	2		
46	1	26226-080182	STUD, M8X 18					2	2		
46-1	1	26226-080202	STUD, M8X 20					2	2	N	
47	1	26366-060002	NUT, M6			(E=02355)				(F=02355)	
48	1	114250-11310	GASKET, BONNET	1	1	1	1				
49	1	114650-11310	GASKET, BONNET							1	1
50	1	114250-11951	BONNET ASSY, HEAD	1	1	1	1				
51	1	114650-11950	BONNET ASSY, HEAD							1	1
53	2	114250-03591	LEVER ASSY	1	1	1	1	1	1	1	1
54	2	114250-03640	SPRING, DECOMPRESSION	1	1	1	1	1	1	1	1
57	2	22312-030160	PIN, PARALLEL M3X16	1	1	1	1	1	1	1	1
60	1	26106-060552	BOLT, M6X 55 PLATED	2	2	2	2				
61	1	26106-060702	BOLT, M6X 70 PLATED							2	2

Fig.4. AIR CLEANER & SILENCER

Fig.4 AIR CLEANER & SILENCER



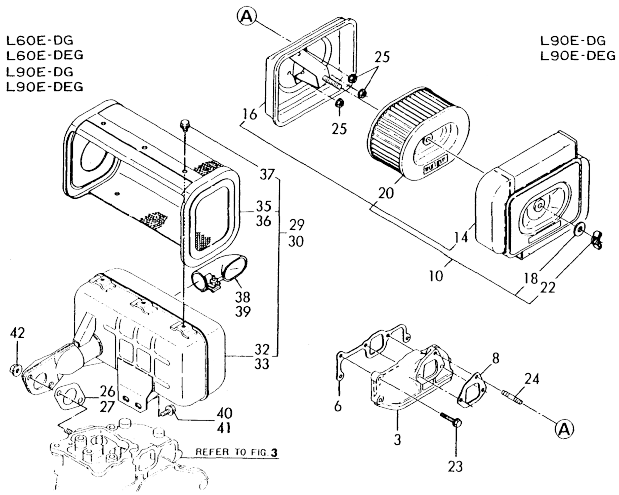
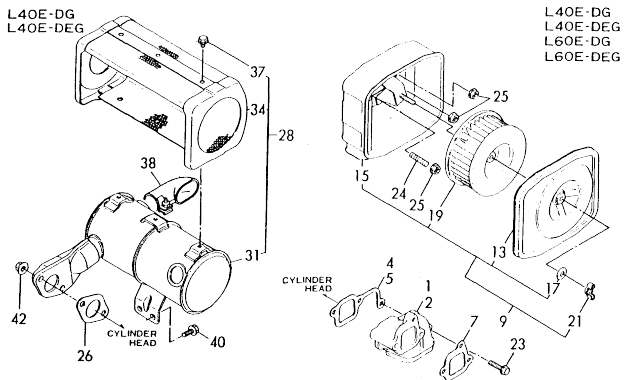
No.	Lev.	Parts No.	Description	Qty						I	R
				(A)	(B)	(C)	(D)	(E)	(F)		
1	1	114250-12010	PIPE, AIR INTAKE								
2	1	114350-12010	PIPE, AIR INTAKE								
2-1	1	114350-12011	PIPE, AIR INTAKE								N
3	1	114650-12020	PIPE, AIR INTAKE (C=52623) (D=52623)								
4	1	114250-12200	GASKET		1	1					
5	1	114350-12200	GASKET					1	1		
5-1	1	114350-12201	GASKET (C=52623) (D=52623)					1	1		N
6	1	114650-12300	GASKET							1	1
7	1	114250-12210	GASKET, AIR CLEANER		1	1	1	1			
8	1	114650-12210	GASKET, AIR CLEANER							1	1
9	1	714250-12560	CLEANER ASSY, AIR		1	1	1	1			
10	1	714650-12560	CLEANER ASSY, AIR							1	1
13	3	114250-12520	COVER, AIR CREAMER		1	1	1	1			
14	3	114650-12520	COVER, AIR CREAMER							1	1
15	3	114250-12530	CASE ASSY, CLEANER		1	1	1	1			
16	3	114650-12530	CASE ASSY, CLEANER							1	1
17	3	114250-12560	WASHER, SEAL M6		1	1	1	1			
18	3	114252-12560	WASHER, SEAL M8							1	1
19	3	114250-12580	ELEMENT		1	1	1	1			
20	3	114650-12540	ELEMENT							1	1
21	2	114250-12550	NUT, WING M6		1	1	1	1			
22	2	114252-12550	NUT, WING M8							1	1
23	1	26106-060252	BOLT, M6X 25 PLATED		1	1	2	2	3	3	
24	1	26226-060142	STUD, M6X 14		1	1	1	1	1	1	
25	1	26366-060002	NUT, M6		3	3	3	3	3	3	
26	1	114250-13200	GASKET, MUFFLER		1	1	1	1			
27	1	114650-13200	GASKET, MUFFLER							1	1
28	1	114250-13521	MUFFLER ASSY		1	1					
29	1	114350-13522	SILENCER ASSY					1	1		
29-1	1	114350-13523	MUFFLER (C=52623) (D=52623)					1	1		N
30	1	114650-13501	SILENCER ASSY							1	1
30-1	1	114650-13502	MUFFLER (E=02617) (F=02617)							1	N
31	2	114250-13531	MUFFLER ASSY		1	1					
32	2	114350-13532	MUFFLER					1	1		
32-1	2	114350-13533	MUFFLER (C=52623) (D=52623)					1	1		N
33	2	114650-13511	SILENCER							1	1
33-1	2	114650-13512	MUFFLER (E=02617) (F=02617)							1	N
34	2	114250-13701	COVER, SILENCER		1	1					
35	2	114350-13702	COVER					1	1		
35-1	2	114350-13703	COVER (C=52623) (D=52623)					1	1		N
36	2	114650-13701	COVER							1	1
36-1	2	114650-13702	COVER, SILENCER (E=02617) (F=02617)							1	N
37	2	26106-060082	BOLT, M6X 8 PLATED (E=02617) (F=02617)		6	6	6	6	6	6	

N:Old  $\frac{New}{Old}$  New, Q:Old  $\frac{New}{Old}$  New, R:Old  $\frac{New}{Old}$  New, S:Old  $\frac{New}{Old}$  New, W:Add, Z:Discontinued, F:Interchangeable by set, K:Qty Change  
 ++ CONTINUE ++  
 Copyright (C) YANMAR CO., LTD. All Rights Reserved.

OCR10-M32701

Fig.4. AIR CLEANER & SILENCER

Fig.4 AIR CLEANER & SILENCER



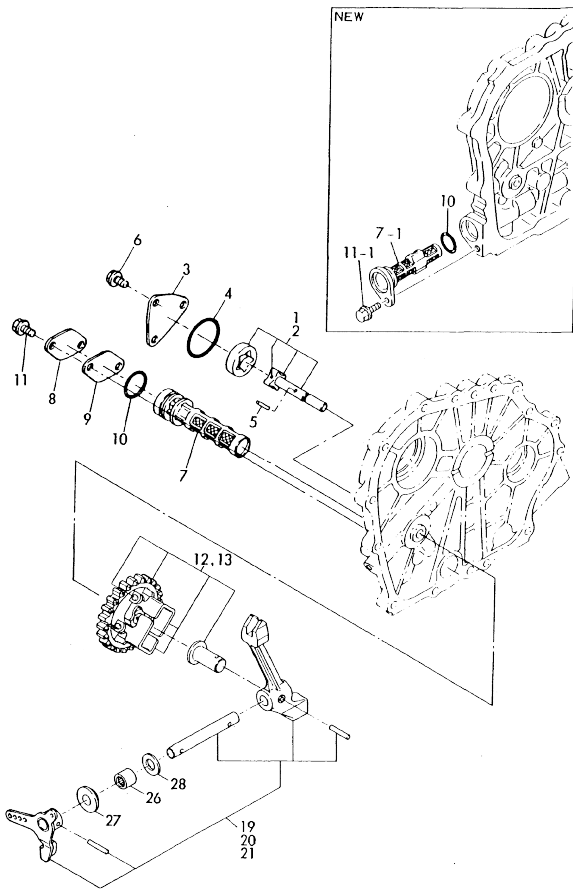
(A)=L40E-DGMO  
(B)=L40E-DEGMO  
(C)=L60E-DGMO  
(D)=L60E-DEGMO  
(E)=L90E-DGMO  
(F)=L90E-DEGMO

No.	Lev.	Parts No.	Description	Q'ty						I	R
				(A)	(B)	(C)	(D)	(E)	(F)		
38	1	114268-13800	PIPE		1	1	1	1			
39	1	114658-13800	PIPE					1	1		
40	1	26106-060122	BOLT, M6X 12 PLATED	2	2	2	2				
41	1	26106-080162	BOLT, M8X 16 PLATED					2	2		
42	1	26366-080002	NUT, M8	2	2	2	2	2	2		

N:Old  $\frac{100}{100}$  New, Q:Old  $\frac{100}{100}$  New, R:Old  $\frac{100}{100}$  New, S:Old  $\frac{100}{100}$  New, W:Add, Z:Discontinued, F:Interchangeable by set, K:Q'ty Change  
Copyright (C) YANMAR CO., LTD. All Rights Reserved.

Fig.5. L.O.PUMP & GOVERNOR

Fig.5 LUB. OIL & GOVERNOR

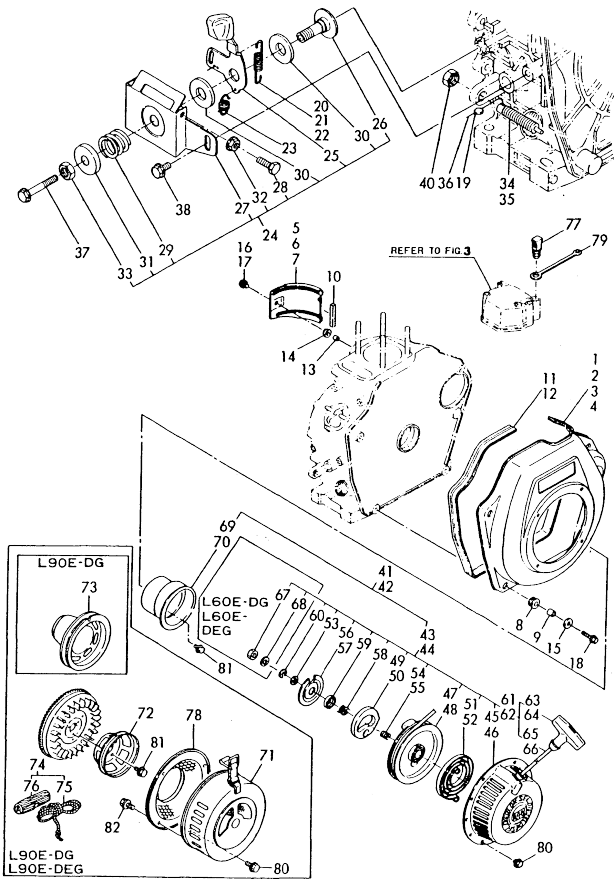


No.	Lev.	Parts No.	Description	Qty						I	R
				(A)	(B)	(C)	(D)	(E)	(F)		
1	1	114250-32010	PUMP ASSY, OIL								
2	1	114650-32010	PUMP ASSY, OIL								
3	1	114250-32070	COVER	1	1	1	1	1	1		
4	1	103338-32570	O-RING	1	1	1	1	1	1		
5	1	22312-030160	PIN, PARALLEL M3X16	1	1	1	1	1	1		
6	1	26476-060142	SCREW, TAPPING M6X14	3	3	3	3	3	3		
7	1	114250-35060	FILTER, OIL	1	1	1	1	1	1		
7-1	1	114250-35070	FILTER, OIL	1	1	1	1	1	1		S
		(A=61876) (B=61876) (C=58254) (D=58254) (E=04445) (F=04445)									
8	1	114250-35250	COVER	1	1	1	1	1	1		Z
		(A=61876) (B=61876) (C=58254) (D=58254) (E=04445) (F=04445)									
9	1	114250-35270	GASKET	1	1	1	1	1	1		
10	1	24341-000224	O-RING, 1AS22.4	1	1	1	1	1	1		
11	1	26106-060122	BOLT, M6X 12 PLATED	2	2	2	2	2	2		
11-1	1	26106-060162	BOLT, M6X 16 PLATED	1	1	1	1	1	1		S
		(A=61876) (B=61876) (C=58254) (D=58254) (E=04445) (F=04445)									
12	1	714250-61700	GOVERNOR ASSY	1	1	1	1				
13	1	714650-61700	GOVERNOR ASSY							1	1
19	1	714250-61500	LEVER ASSY, GOVERNOR	1	1						
20	1	714350-61500	LEVER ASSY, GOVERNOR			1	1				
21	1	714650-61500	LEVER ASSY, GOVERNOR							1	1
26	1	121450-61520	BEARING, NEEDLE 8	2	2	2	2	2	2		
27	1	114250-61600	BUSH	1	1	1	1	1	1		
27-1	1	114250-61900	BUSH	1	1	1	1	1	1		N
		(A=00001) (B=00001) (C=00001) (D=00001) (E=00001) (F=00001)									
28	1	22137-080000	WASHER, 8	1	1	1	1	1	1		

N:Old  $\frac{New}{Old}$  New, Q:Old  $\frac{New}{Old}$  New, R:Old  $\frac{New}{Old}$  New, S:Old  $\frac{New}{Old}$  New, W:Add, Z:Discontinued, F:Interchangeable by set, K:Qty Change  
 Copyright (C) YANMAR CO., LTD. All Rights Reserved.

Fig.6. FAN CASE / ENGINE CONTROLE

Fig.6 STARTING & CONTROL

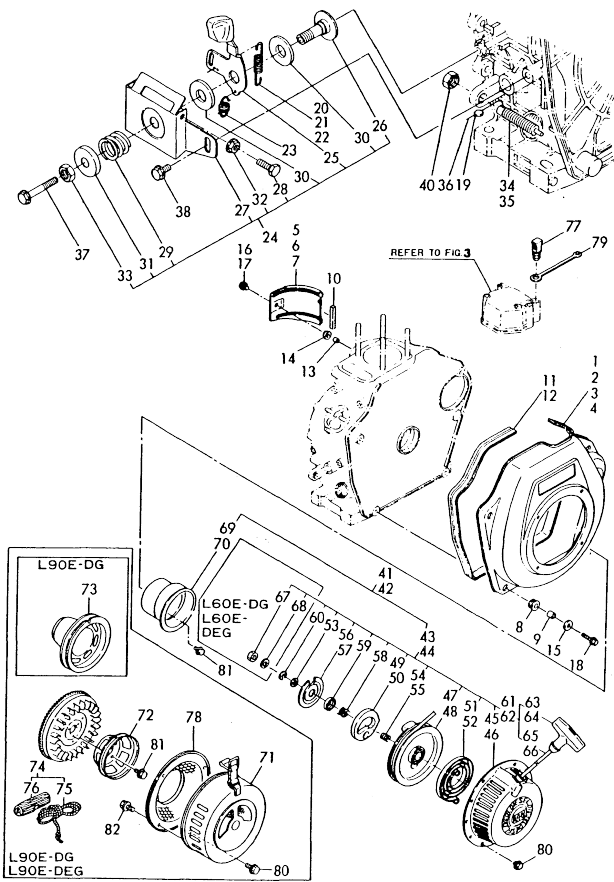


No.	Lev.	Parts No.	Description	Q'ty						I	R
				(A)	(B)	(C)	(D)	(E)	(F)		
1	1	114260-45100	CASE, COOLING FAN	1	1						
1-1	1	114260-45101	CASE, COOLING FAN	1	1						N
		(A=54373) (B=54373)									
2	1	114360-45100	CASE, COOLING FAN			1	1				
2-1	1	114360-45101	CASE, COOLING FAN			1	1				N
		(C=52623) (D=52623)									
3	1	114668-45100	CASE, COOLING FAN					1			
3-1	1	114668-45101	CASE, COOLING FAN					1			N
		(E=02617)									
3-2	1	114668-45102	CASE, COOLING FAN					1			N
		(E=04639)									
4	1	114660-45100	CASE, COOLING FAN							1	
4-1	1	114660-45101	CASE, COOLING FAN							1	N
		(F=02617)									
5	1	114250-45210	COVER	1	1						
5-1	1	114250-45211	COVER	1	1						N
		(A=54373) (B=54373)									
6	1	114350-45201	COVER			1	1				
7	1	114650-45200	COVER					1	1		
8	1	114250-45300	ABSORBER	4	4	5	5	4	4		
9	1	114250-45310	COLLAR	4	4	5	5	4	4		
10	1	114350-45320	RUBBER, SEAL			1	1	1	1		
11	1	114250-45330	SEAL, FAN CASE L=875	1	1	1	1				
12	1	114650-45330	SEAL, FAN CASE L=950							1	1
13	1	114350-45340	COLLAR			1	1	1	1		
14	1	183720-55210	GROMMET			1	1	1	1		
15	1	160120-76940	WASHER	4	4	5	5	4	4		
16	1	26476-060142	SCREW, TAPPING M6X14	1	1						
17	1	26476-060202	SCREW, TAPPING M6X20			1	1	1	1		
18	1	26476-060252	SCREW, TAPPING M6X25	4	4	5	5	4	4		
19	1	135210-61090	LEAD	2	2						
20	1	114250-66010	SPRING, REGULATOR	1	1						
21	1	114350-66011	SPRING, REGULATOR			1	1				
22	1	114650-66011	SPRING, REGULATOR					1	1		
23	1	114250-66200	SPRING, RETURN	1	1	1	1	1	1		
24	1	183250-66500	BRACKET ASSY	1	1	1	1	1	1		
25	2	183250-66050	HANDLE, REGULATOR	1	1	1	1	1	1		
26	2	183250-66070	SHAFT, HANDLE	1	1	1	1	1	1		
27	2	183250-66100	BRACKET, RADIATOR	1	1	1	1	1	1		
28	2	160611-66440	BOLT, LIMITER	1	1	1	1	1	1		
28-1	2	114250-66440	BOLT, ADJUSTING	1	1	1	1	1	1		N
		(A=56532) (B=56532) (C=54851) (D=54851) (E=02557) (F=02557)									
29	2	104200-66820	SPRING	1	1	1	1	1	1		
30	2	104200-66830	PLATE, FRICTION	2	2	2	2	2	2		
31	2	104200-66850	WASHER	1	1	1	1	1	1		
32	2	26696-100002	NUT, LOCK M10	1	1	1	1	1	1		
33	2	26757-060002	NUT, LOCK M6	1	1	1	1	1	1		
34	1	114250-66550	LIMITER ASSY, FUEL	1	1	1	1	1	1		
35	1	114650-66600	LIMITER ASSY, FUEL							1	1
36	1	22451-060000	WIRE, 0.6	2	2						
37	1	26106-060452	BOLT, M6X 45 PLATED	1	1	1	1	1	1		

N:Old  $\frac{New}{Old}$  New, Q:Old  $\frac{New}{Old}$  New, R:Old  $\frac{New}{Old}$  New, S:Old  $\frac{New}{Old}$  New, W:Add, Z:Discontinued, F:Interchangeable by set, K:Q'ty Change  
 ++ CONTINUE ++  
 Copyright (C) YANMAR CO., LTD. All Rights Reserved.

Fig.6. FAN CASE / ENGINE CONTROLE

Fig.6 STARTING & CONTROL

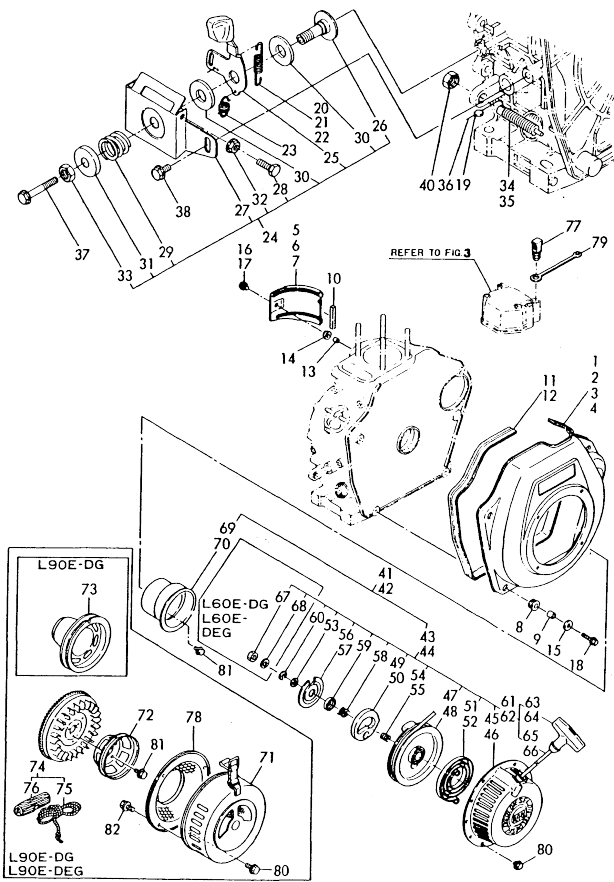


No.	Lev.	Parts No.	Description	Qty						I	R
				(A)	(B)	(C)	(D)	(E)	(F)		
38	1	26476-060142	SCREW, TAPPING M6X14	1	1	1	1	1	1		
40	1	26696-100002	NUT, LOCK M10	1	1	1	1	1	1		
41	1	114260-76050	STARTER ASSY, RECOIL	1	1						
42	1	114360-76050	STARTER ASSY, RECOIL			1	1				
42A	1	114660-76050	STARTER ASSY, RECOIL					1	1	W	
				(E=04639)							
43	2	114260-76250	STARTER ASSY, RECOIL	1	1						
44	2	114360-76250	STARTER ASSY, RECOIL			1	1				
44A	2	114660-76250	STARTER ASSY, RECOIL					1	1	W	
				(E=04639)							
45	3	114260-76520	CASE, STARTER	1	1						
46	3	114360-76510	CASE, STARTER			1	1				
46A	3	114660-76530	CASE, STARTER					1	1	W	
				(E=04639)							
47	3	160260-76520	REEL	1	1						
48	3	160810-76520	REEL			1	1				
48A	3	114650-76520	REEL					1	1	W	
				(E=04639)							
49	3	160260-76530	RATCHET	1	1						
50	3	160840-76530	RATCHET			1	1				
50A	3	160910-76530	RATCHET					1	1	W	
				(E=04639)							
51	3	160260-76540	SPRING, SPIRAL	1	1						
52	3	160810-76540	SPRING, SPIRAL			1	1				
52A	3	114650-76540	SPRING, SPIRAL					1	1	W	
				(E=04639)							
53	3	160260-76550	WASHER, THRUST	1	1						
53A	3	160910-76550	WASHER, THRUST					1	1	W	
				(E=04639)							
54	3	160260-76560	SPRING, FRICTION	1	1						
55	3	160840-76560	SPRING, FRICTION			1	1				
55A	3	160910-76560	SPRING, FRICTION					1	1	W	
				(E=04639)							
56	3	160260-76590	PLATE, FRICTION	1	1						
57	3	160810-76580	PLATE, FRICTION			1	1				
57A	3	160910-76580	PLATE, FRICTION					1	1	W	
				(E=04639)							
58	3	160290-76570	SPRING, RETURN	1	1						
58A	3	160910-76570	SPRING, RETURN					1	1	W	
				(E=04639)							
59	3	160260-76580	COVER	1	1						
60	3	160260-76600	CIRCLIP	1	1						
61	3	160260-76610	ROPE ASSY, STARTER	1	1						
62	3	160810-76610	ROPE ASSY, STARTER			1	1				
62A	3	114650-76610	ROPE ASSY, STARTER					1	1	W	
				(E=04639)							
63	4	160260-76620	KNOB, STARTER	1	1						
64	4	160810-76620	KNOB, STARTER			1	1				
64A	4	160910-76620	KNOB, STARTER					1	1	W	
				(E=04639)							
65	4	160260-76630	ROPE, STARTER	1	1						

N:Old  $\frac{100}{100}$  New, Q:Old  $\frac{100}{100}$  New, R:Old  $\frac{100}{100}$  New, S:Old  $\frac{100}{100}$  New, W:Add, Z:Discontinued, F:Interchangeable by set, K:Qty Change  
 ++ CONTINUE ++  
 Copyright (C) YANMAR CO., LTD. All Rights Reserved.

Fig.6. FAN CASE / ENGINE CONTROLE

Fig.6 STARTING & CONTROL

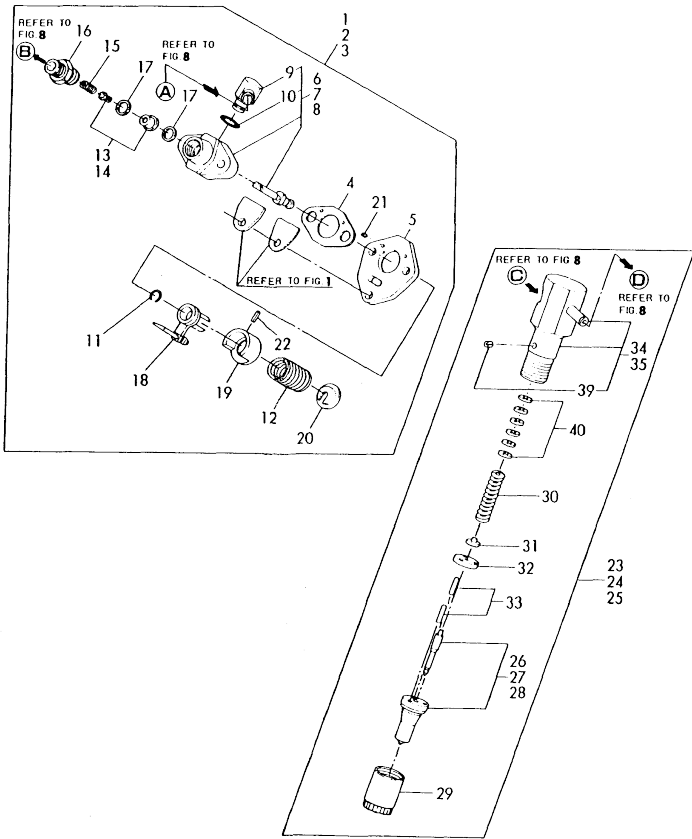


No.	Lev.	Parts No.	Description	Q'ty						I	R
				(A)	(B)	(C)	(D)	(E)	(F)		
66	4	160810-76630	ROPE, STARTER								
66A	4	114650-76630	ROPE, STARTER					1	1	W	
				(E=04639)							
66B	3	160910-76650	WASHER, THRUST					1	1	W	
				(E=04639)							
67	3	181130-76680	NUT				1	1			
68	3	181130-76700	WASHER, SPRING				1	1			
68A	3	22217-060000	WASHER, SPRING 6								
				(E=04639)							
68B	3	26717-060002	NUT, M6						1	1	W
				(E=04639)							
69	2	114250-76590	PULLEY, STARTER	1	1						
70	2	114350-76590	PULLEY, STARTER			1	1				
70A	2	114660-76590	PULLEY, STARTER						1	1	W
				(E=04639)							
71	1	114651-76301	COVER ASSY, SAFETY							1	
71-1	1	114651-76302	COVER ASSY, SAFETY							1	Z
				(F=02617)							
72	1	114651-76590	PULLEY, STARTER							1	Z
				(F=02617)							
73	1	114658-76590	PULLEY, STARTER						1		Z
				(E=04639)							
74	1	114651-76650	ROPE ASSY, STARTER						1		Z
				(E=04639)							
75	2	114651-76610	ROPE, STARTER					1	1	Z	
				(E=04639)							
76	2	160110-76620	KNOB, STARTER					1	1	Z	
				(E=04639)							
77	1	114250-76600	PLUNGER	1	1	1	1	1	1		
78	1	114658-76600	SCREEN						1		Z
				(E=04639)							
79	1	114250-76610	HOLDER, PLUNGER	1	1	1	1	1	1		
80	1	26106-060082	BOLT, M6X 8 PLATED	4	4	4	4	4	2		
81	1	26106-060122	BOLT, M6X 12 PLATED	3	3	3	3		4		
82	1	26106-060202	BOLT, M6X 20 PLATED						4		

N:Old  $\frac{100}{100}$  New, Q:Old  $\frac{100}{100}$  New, R:Old  $\frac{100}{100}$  New, S:Old  $\frac{100}{100}$  New, W:Add, Z:Discontinued, F:Interchangeable by set, K:Q'ty Change  
 Copyright (C) YANMAR CO., LTD. All Rights Reserved.

Fig.7. FUEL INJECTION PUMP & VALVE

Fig.7 FUEL INJECTION DEVICE

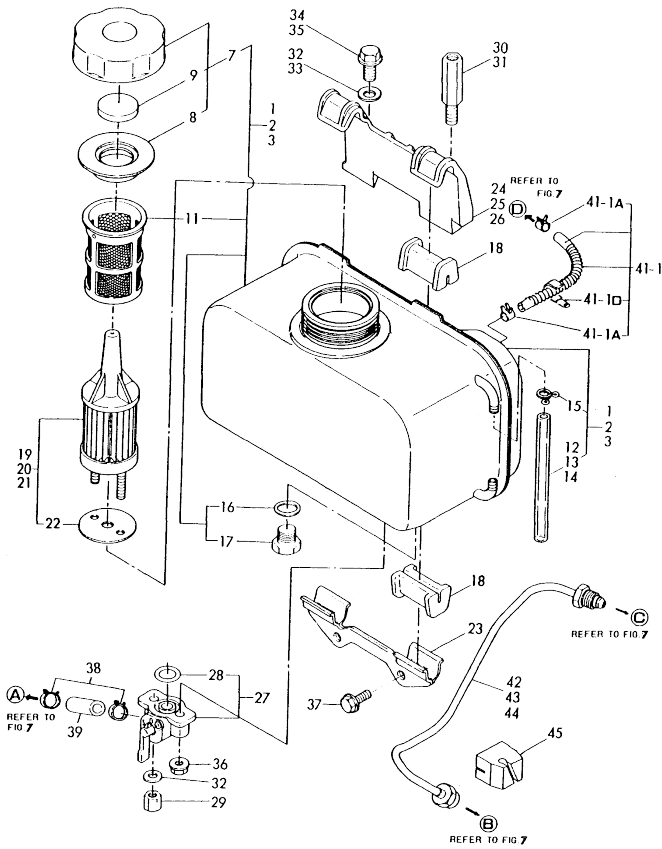


No.	Lev.	Parts No.	Description	Qty						I	R
				(A)	(B)	(C)	(D)	(E)	(F)		
1	1	714250-51701	PUMP ASSY, INJECTION								
2	1	714350-51700	PUMP ASSY, INJECTION	1	1						
3	1	714650-51710	PUMP ASSY, INJECTION			1	1				
4	2	105546-51020	GASKET	1	1	1	1	1	1	1	
5	2	114250-51080	PLATE	1	1	1	1	1	1	1	
6	2	114250-51200	BODY ASSY, PUMP	1	1						
7	2	114350-51200	BODY ASSY, PUMP				1	1			
8	2	114650-51100	BODY ASSY, PUMP						1	1	
9	3	114250-51180	JOINT, PIPE	1	1	1	1	1	1	1	
10	3	114250-51190	O-RING, S27	1	1	1	1	1	1	1	
11	2	114250-51150	RING, SNAP	1	1	1	1	1	1	1	
12	2	114250-51160	SPRING, PLUNGER	1	1	1	1	1	1	1	
13	2	114250-51300	VALVE ASSY, DELIVERY	1	1	1	1				
14	2	114650-51300	VALVE ASSY, DELIVERY							1	1
15	2	105546-51330	SPRING, DELIVERY	1	1	1	1	1	1	1	
16	2	114250-51340	HOLDER, DELIVERY	1	1	1	1	1	1	1	
17	2	124550-51350	GASKET, DELIVERY	2	2	2	2	2	2	2	
18	2	114250-51600	LEVER ASSY, CONTROL	1	1	1	1	1	1	1	
19	2	114250-51640	SEAT, SPRING A	1	1	1	1	1	1	1	
20	2	114250-51650	SEAT, SPRING B	1	1	1	1	1	1	1	
21	1	22351-020006	PIN, SPRING 2.0X 6	2	2	2	2	2	2	2	
22	1	22351-030008	PIN, SPRING 3.0X 8	1	1	1	1	1	1	1	
23	1	714250-53101	VALVE ASSY, INJECTION	1	1						
24	1	714350-53100	VALVE ASSY, INJECTION				1	1			
25	1	714650-53100	VALVE ASSY, INJECTION							1	1
26	2	114250-53001	VALVE ASSY, INJECTION	1	1						
27	2	114350-53000	VALVE ASSY, INJECTION				1	1			
28	2	114650-53000	VALVE ASSY, INJECTION							1	1
29	2	114250-53080	NUT, NOZZLE D16.95	1	1	1	1	1	1	1	
30	2	114250-53120	SPRING, NOZZLE	1	1	1	1	1	1	1	
31	2	114250-53130	SEAT, SPRING	1	1	1	1	1	1	1	
32	2	114250-53140	PLATE	1	1	1	1	1	1	1	
33	2	114250-53210	PIN	2	2	2	2	2	2	2	
34	2	114250-53300	HOLDER ASSY, NOZZLE	1	1	1	1				
35	2	114650-53300	HOLDER ASSY, NOZZLE							1	1
39	3	114250-53331	PIN	1	1	1	1	1	1	1	
40	2	114250-53400	SHIM SET	1	1	1	1	1	1	1	



Fig.8. F.O.TANK & PIPE

Fig.8 FUEL TANK & PIPE



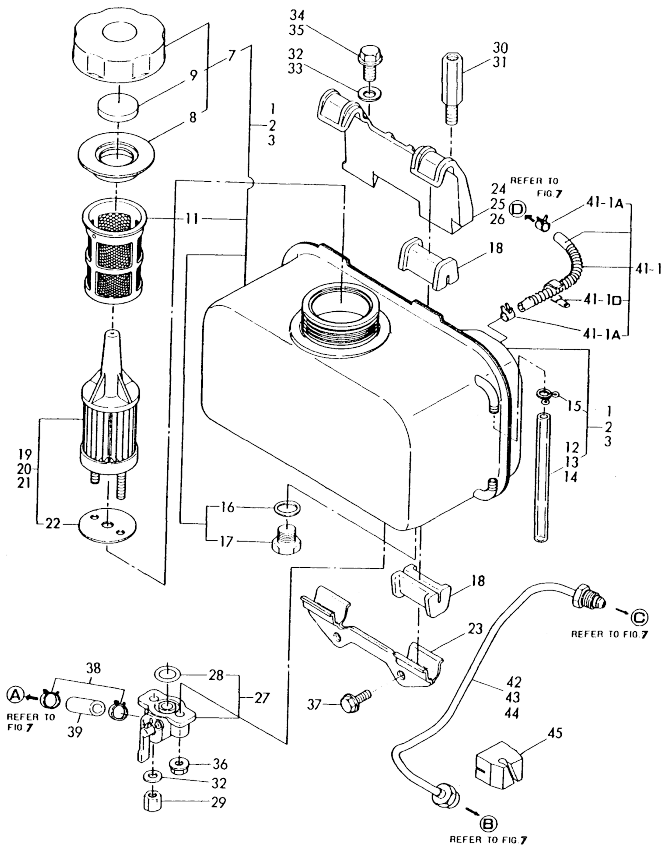
(A)=L40E-DGMO (D)=L60E-DEGMO  
 (B)=L40E-DEGMO (E)=L90E-DGMO  
 (C)=L60E-DGMO (F)=L90E-DEGMO

No.	Lev.	Parts No.	Description	Qty						I	R
				(A)	(B)	(C)	(D)	(E)	(F)		
1	1	714268-55720	TANK ASSY, FUEL	1	1						
1-1	1	714268-55721	TANK ASSY, FUEL	1	1						N
		(A=54373) (B=54373)									
2	1	714368-55720	TANK ASSY, FUEL			1	1				
2-1	1	714368-55721	TANK ASSY, FUEL			1	1				N
		(C=52623) (D=52623)									
3	1	714668-55720	TANK ASSY, FUEL					1	1		
3-1	1	714668-55721	TANK ASSY, FUEL					1	1		N
								(E=02617) (F=02617)			
7	2	114250-55040	CAP ASSY	1	1	1	1	1	1	1	
7-1	2	114250-55041	CAP ASSY	1	1	1	1	1	1	1	N
		(A=56532) (B=56532) (C=54851) (D=54851) (E=02617) (F=02617)									
8	3	114250-55050	GASKET	1	1	1	1	1	1	1	
9	3	114250-55060	SEAL	1	1	1	1	1	1	1	
11	2	114250-55100	FILTER, FUEL	1	1	1	1	1	1	1	
12	2	114250-55150	GAUGE, LEVEL	1	1						
13	2	114350-55150	GAUGE, LEVEL				1	1			
14	2	114260-55150	GAUGE, LEVEL						1	1	
14-1	2	114650-55150	GAUGE, LEVEL							1	N
								(E=02355) (F=02355)			
15	2	124722-59050	CLIP, HOSE 9	2	2	2	2	2	2	2	
16	2	23414-120000	GASKET, 12X1.0	1	1	1	1	1	1	1	
17	2	23887-120002	PLUG, 12	1	1	1	1	1	1	1	
18	2	114250-55200	DAMPER, FUEL TANK	4	4	4	4	4	4	4	
18-1	2	114250-55201	DAMPER, FUEL TANK	4	4	4	4	4	4	4	N
		(A=54373) (B=54373) (C=52623) (D=52623) (E=02355) (F=02355)									
19	1	114250-55120	FILTER ASSY, FUEL	1	1						
20	1	114350-55120	FILTER ASSY, FUEL			1	1				
21	1	114650-55120	FILTER ASSY, FUEL					1	1		
22	1	114250-55130	GASKET	1	1	1	1	1	1	1	
23	1	114250-55210	STAY, FUEL TANK	1	1	1	1	1	1	1	
23-1	1	114250-55211	STAY, FUEL TANK	1	1	1	1	1	1	1	N
		(A=54373) (B=54373) (C=52623) (D=52623) (E=02355) (F=02355)									
24	1	114250-55221	STAY, FUEL TANK	1	1						
24-1	1	114250-55231	STAY, FUEL TANK	1	1						N
		(A=54373) (B=54373)									
25	1	114350-55221	STAY, FUEL TANK			1	1				
25-1	1	114350-55231	STAY, FUEL TANK			1	1				N
		(C=52623) (D=52623)									
26	1	114650-55230	STAY, FUEL TANK							1	1
27	1	114250-55300	COCK ASSY, FUEL	1	1	1	1	1	1	1	
28	2	24341-000150	O-RING, 1AS15.0	1	1	1	1	1	1	1	
29	1	114252-55800	NUT	1	1	1	1	1	1	1	
30	1	114252-55810	BOLT	1	1	1	1	1	1	1	
30-1	1	114650-55810	BOLT	1	1	1	1	1	1	1	S
		(A=54373) (B=54373) (C=52623) (D=52623)									
31	1	114650-55810	BOLT							1	1
32	1	22117-060000	WASHER, 6	2	2	2	2	2	2	2	
32-1	1	22117-080000	WASHER, 8	1	1	1	1	1	1	1	S
		(A=54373) (B=54373) (C=52623) (D=52623)									
33	1	22117-080000	WASHER, 8							1	1

N:Old  $\frac{New}{Old}$  New. Q:Old  $\frac{New}{Old}$  New. R:Old  $\frac{New}{Old}$  New. S:Old  $\frac{New}{Old}$  New. W:Add. Z:Discontinued. F:Interchangeable by set. K:Qty Change  
 ++ CONTINUE ++  
 Copyright (C) YANMAR CO., LTD. All Rights Reserved.

Fig.8. F.O.TANK & PIPE

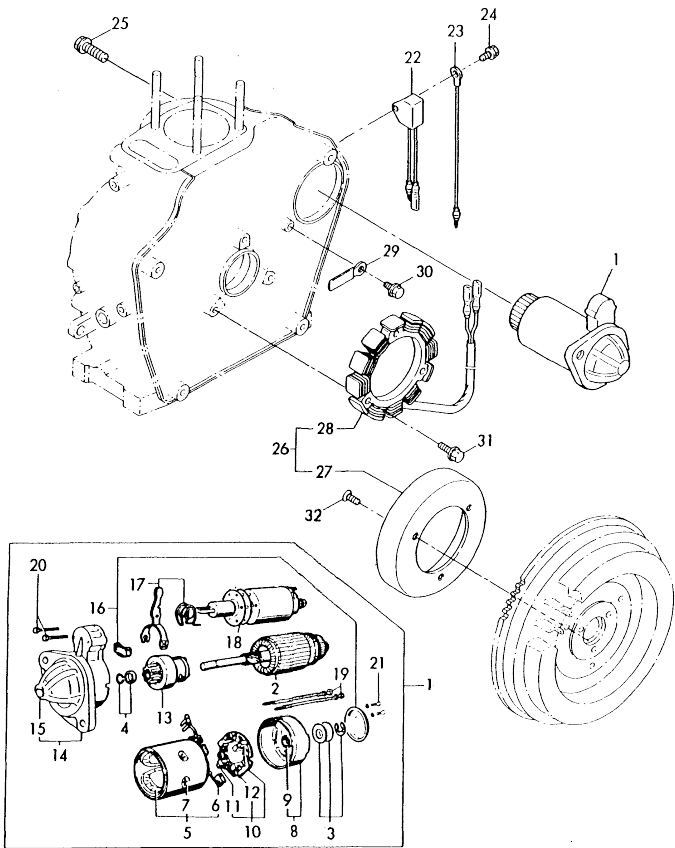
Fig.8 FUEL TANK & PIPE



No.	Lev.	Parts No.	Description	Q'ty						I	R
				(A)	(B)	(C)	(D)	(E)	(F)		
34	1	26106-080162	BOLT, M8X 16 PLATED	1	1	1	1				
34-1	1	26106-080452	BOLT, M8X 45 PLATED	1	1	1	1				S
		(A=54373) (B=54373) (C=52623) (D=52623)									
35	1	26106-080452	BOLT, M8X 45 PLATED						1	1	
36	1	26366-060002	NUT, M6	1	1	1	1	1	1	1	
37	1	26476-060142	SCREW, TAPPING M6X14	2	2	2	2	2	2	2	
38	1	106990-44660	CLIP, HOSE 12.5	2	2	2	2	2	2	2	
39	1	114250-59050	PIPE, FUEL L=46	1	1	1	1	1	1	1	
39-1	1	114360-59060	PIPE, FUEL L=55			1	1				N
		(C=02355) (D=02355)									
40	1	124722-59050	CLIP, HOSE 9	2	2	2	2	2	2	2	
41	1	114250-59060	PIPE, FUEL RETURN	1	1	1	1	1	1	1	
41-1	1	114652-59300	PIPE, FUEL RETURN								N
		(C=01968) (D=01968)									
42	1	114250-59800	PIPE ASSY, INJECTION	1	1						
43	1	114350-59800	PIPE ASSY, INJECTION			1	1				
44	1	114650-59800	PIPE ASSY, INJECTION					1	1		
45	1	114650-59850	SUPPORT					1	1		

Fig.9. STATER MOTOR & DYNAMO

Fig.9 ELECTRIC STARTING DEVICE

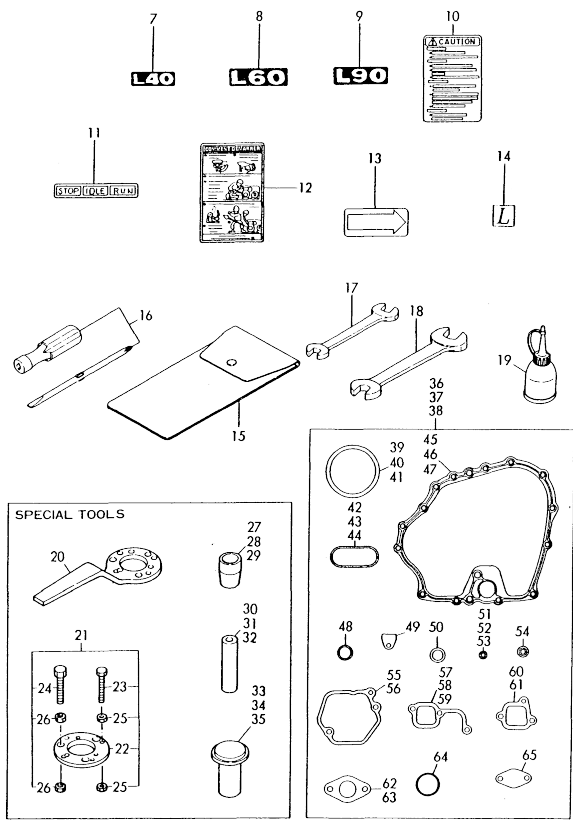


No.	Lev.	Parts No.	Description	Qty						I	R
				(A)	(B)	(C)	(D)	(E)	(F)		
1	1	114362-77010	STARTER, S114-414A	1	1						
2	2	X211461104	ARUATURE	1	1						
3	2	X21148110	WASHER SET, THRUST	1	1						
4	2	X21147155	STOPPER SET, PINION	1	1						
5	2	X211412105	FIELD COIL ASSY	1	1						
6	3	X21145312	BRUSH, +	2	2						
7	3	X21143215	SCREW, CORE	4	4						
8	2	X211473002	COVER, REAR	1	1						
9	3	X21145352	METAL	1	1						
10	2	X211489001	HOLDER ASSY, BRUSH	1	1						
11	3	X21148313	BRUSH (-)	1	1						
12	3	X21149314	SPRING, BRUSH	3	3						
13	2	X211445508	PINION ASSY	1	1						
14	2	X211416603	HOUSING	1	1						
15	3	X21145352	METAL	1	1						
16	2	X211478006	COVER KIT	1	1						
17	2	X211456013	KIT, SHIFT LEVER	1	1						
18	2	X211427501	SWITCH ASSY, MAGNET	1	1						
19	2	X211468005	BOLT, THROUGH	2	2						
20	2	X21145867	BOLT, M6	2	2						
21	2	X21142835	SCREW SET	1	1						
22	1	160970-77350	RECTIFIER, ZR2117	1	1						
23	1	183350-77400	WIRE, LEAD	1	1						
24	1	26106-060122	BOLT, M6X 12 PLATED	1	1						
25	1	26106-100302	BOLT, M10X 30 PLATED	2	2						
26	1	114351-78200	DYNAMO ASSY	1	1						
26-1	1	114351-78250	DYNAMO ASSY	1	1						S
27	2	114351-78610	(B=50001) WHEEL, DYNAMO (D=50001)	1	1						(F=01968)
27-1	2	114351-78760	WHEEL, DYNAMO	1	1						S
28	2	114351-78620	(B=50001) STATOR ASSY (D=50001)	1	1						(F=01968)
28-1	2	114351-78750	STATOR ASSY	1	1						S
29	1	160710-78710	(B=50001) CLAMP, CORD (D=50001)	1	1						(F=01968)
30	1	26476-060142	SCREW, TAPPING M6X14	1	1						
31	1	26476-060202	SCREW, TAPPING M6X20	3	3						
32	1	26577-060142	SCREW M 6X 14	3	3						

N:Old  $\frac{100}{100}$  New, Q:Old  $\frac{100}{100}$  New, R:Old  $\frac{100}{100}$  New, S:Old  $\frac{100}{100}$  New, W:Add, Z:Discontinued, F:Interchangeable by set, K:Qty Change  
 Copyright (C) YANMAR CO., LTD. All Rights Reserved.

Fig.10. T00LS & LABEL

Fig. 10 LABELS, TOOLS & GASKET SET



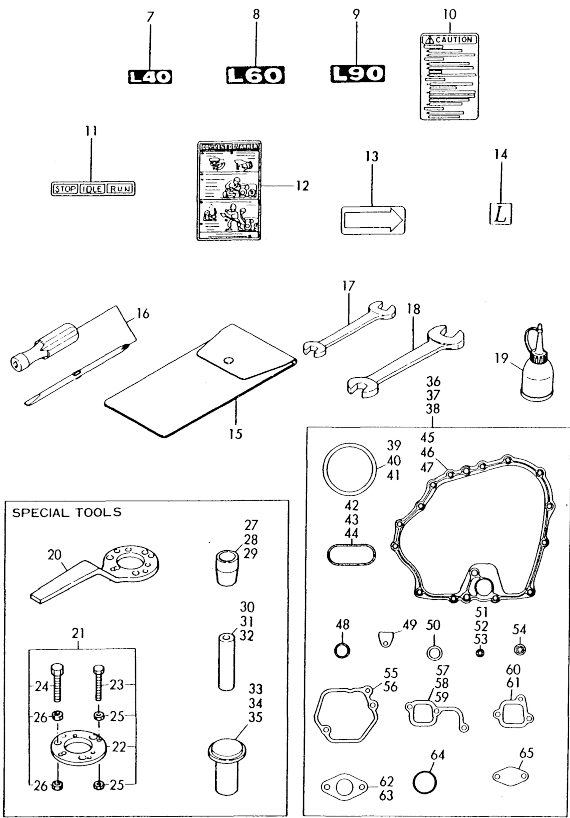
No.	Lev.	Parts No.	Description	Q'ty						I	R	
				(A)	(B)	(C)	(D)	(E)	(F)			
7	1	183250-07120	LABEL, ENGINE MODEL		1							
8	1	183350-07120	LABEL, ENGINE MODEL				1	1				
9	1	183650-07120	LABEL, ENGINE MODEL						1	1		
10	1	114268-07280	LABEL, PRECAUTION		1	1	1	1	1	1		
11	1	183250-07230	LABEL, POSITION SHIFT		1	1	1	1	1	1		
12	1	114268-07360	LABEL, HOW TO START		1	1	1	1	1	1		
13	1	114662-07400	LABEL, DIRECTION							1	1	
14	1	114250-07950	MARK LABEL (L)		1	1	1	1	1	1	1	W
		(A=56532)	(B=56532)	(C=54851)	(D=54851)	(E=02617)	(F=02617)					
15	1	114250-92600	BAG, TOOL		1	1	1	1	1	1	1	
16	1	160330-92730	DRIVE, SCREW		1	1	1	1	1	1	1	
17	1	28110-100120	SPANNER, 10X12		1	1	1	1	1	1	1	
18	1	28110-140170	SPANNER, 14X17		1	1	1	1	1	1	1	
19	1	28210-000150	OILER		1	1	1	1	1	1	1	
20	1	114250-92101	F.W. LOCKING HANDLE		1	1	1	1	1	1	1	H
21	1	114250-92130	REMOVER, FLYWHEEL		1	1	1	1	1	1	1	H
22	2	114250-92121	TOOL, WHEEL REMOVER		1	1	1	1	1	1	1	H
23	2	26116-060454	BOLT M 6X 45 PLATED		4	4	4	4	4	4	4	H
24	2	26116-080454	BOLT, M8X 45 PLATED		3	3	3	3	3	3	3	H
25	2	26716-060002	NUT, M6		8	8	8	8	8	8	8	H
26	2	26716-080002	NUT, M8		6	6	6	6	6	6	6	H
27	1	114268-92300	GUIDE, OIL SEAL		1	1						H
28	1	114368-92300	GUIDE, OIL SEAL				1	1				H
29	1	114668-92300	GUIDE, OIL SEAL						1	1		H
30	1	114250-92311	INSTALLING TOOL		1	1						H
31	1	114350-92311	INSTALLING TOOL				1	1				H
32	1	114650-92310	INSTALLING TOOL						1	1		H
33	1	114250-92350	INSTALLING TOOL		1	1						H
34	1	114350-92350	INSTALLING TOOL				1	1				H
35	1	114650-92350	INSTALLING TOOL						1	1		H
36	1	714250-92601	GASKET SET		1	1						S
36-1	1	714250-92602	GASKET SET		1	1						S
		(A=61876)	(B=61876)									
37	1	714350-92601	GASKET SET				1	1				S
37-1	1	714350-92602	GASKET SET				1	1				S
		(C=58254)	(D=58254)									
38	1	714650-92601	GASKET SET							1	1	
38-1	1	714650-92602	GASKET SET							1	1	S
							(E=04445)	(F=04445)				
39	2	114250-01340	GASKET, HEAD		1	1						
40	2	114350-01340	GASKET, HEAD				1	1				
41	2	114650-01340	GASKET, HEAD						1	1		
42	2	114250-01380	O-RING		1	1						
43	2	114350-01380	O-RING				1	1				
44	2	114650-01380	O-RING						1	1		
45	2	114250-01411	GASKET, CRANK CASE		1	1						
45-1	2	114250-01412	GASKET, CRANK CASE		1	1						S
		(A=61876)	(B=61876)									
46	2	114350-01411	GASKET, CRANK CASE				1	1				
46-1	2	114350-01412	GASKET, CRANK CASE				1	1				S
		(C=58254)	(D=58254)									

Remarks  
(H) OPTIONAL PARTS

N:Old  $\frac{New}{Old}$  New, Q:Old  $\frac{New}{Old}$  New, R:Old  $\frac{New}{Old}$  New, S:Old  $\frac{New}{Old}$  New, W:Add, Z:Discontinued, F:Interchangeable by set, K:Q'ty Change  
 ++ CONTINUE ++  
 Copyright (C) YANMAR CO., LTD. All Rights Reserved.

Fig.10. T00LS & LABEL

Fig.10 LABELS, TOOLS & GASKET SET



No.	Lev.	Parts No.	Description	Q'ty						I	R		
				(A)	(B)	(C)	(D)	(E)	(F)				
47	2	114650-01411	GASKET, CRANK CASE							1	1		
47-1	2	114650-01412	GASKET, CRANK CASE							1	1	S	
						(E=04445)				(F=04445)			
48	2	24311-000180	O-RING, 1AP18.0	2	2	2	2	2	2				
49	2	114250-01840	GASKET	1	1	1	1	1	1				
50	2	43400-500490	SEAL WASHER 16	2	2	2	2	2	2				
51	2	114250-11340	SEAL, VALVE STEM	2	2								
52	2	114350-11340	SEAL, VALVE STEM			2	2						
53	2	114650-11340	SEAL, VALVE STEM							2	2		
54	2	114250-11460	GASKET, NOZZLE	1	1	1	1	1	1				
55	2	114250-11310	GASKET, BONNET	1	1	1	1						
56	2	114650-11310	GASKET, BONNET							1	1		
57	2	114250-12200	GASKET	1	1								
58	2	114350-12200	GASKET							1	1		
58-1	2	114350-12201	GASKET							1	1		N
			(C=52623)			(D=52623)							
59	2	114650-12300	GASKET							1	1		
60	2	114250-12210	GASKET, AIR CLEANER	1	1	1	1						
61	2	114650-12210	GASKET, AIR CLEANER							1	1		
62	2	114250-13200	GASKET, MUFFLER	1	1	1	1						
63	2	114650-13200	GASKET, MUFFLER								1	1	
64	2	103338-32570	O-RING	1	1	1	1	1	1				
65	2	114250-35270	GASKET	1	1	1	1	1	1				

Remarks  
(H) OPTIONAL PARTS

N:Old  $\frac{New}{Old}$  New, Q:Old  $\frac{New}{Old}$  New, R:Old  $\frac{New}{Old}$  New, S:Old  $\frac{New}{Old}$  New, W:Add, Z:Discontinued, F:Interchangeable by set, K:Q'ty Change  
Copyright (C) YANMAR CO., LTD. All Rights Reserved.

## Parts No. Index

Parts No.	Fig. No.	Ref. No.	Parts No.	Fig. No.	Ref. No.	Parts No.	Fig. No.	Ref. No.	Parts No.	Fig. No.	Ref. No.
101158-11180	3	14	114250-11310	10	55	114250-51180	7	9	114250-99100	1	1
101158-11190	3	18	114250-11340	3	21	114250-51190	7	10	114252-12550	4	22
103338-32570	5	4		10	51	114250-51200	7	6	114252-12560	4	18
	10	64	114250-11460	3	24	114250-51300	7	13	114252-55800	8	29
103854-01221	2	11		10	54	114250-51340	7	16	114252-55810	8	30
104200-23201	2	58	114250-11600	3	26	114250-51600	7	18	114260-01451	1	29
104200-66820	6	29	114250-11651	3	28	114250-51640	7	19	114260-01452	1	29 -1
104200-66830	6	30	114250-11661	3	30	114250-51650	7	20	114260-01453	1	29 -2
104200-66850	6	31	114250-11900	3	38	114250-53001	7	26	114260-21400	2	19
105010-11190	3	17	114250-11951	3	50	114250-53080	7	29	114260-21401	2	19 -1
105025-01220	1	13	114250-12010	4	1	114250-53120	7	30	114260-45100	6	1
105225-01240	1	18	114250-12200	4	4	114250-53130	7	31	114260-45101	6	1 -1
105425-01690	1	32		10	57	114250-53140	7	32	114260-55150	8	14
105546-51020	7	4	114250-12210	4	7	114250-53210	7	33	114260-76050	6	41
105546-51330	7	15		10	60	114250-53300	7	34	114260-76250	6	43
106990-44660	8	38	114250-12520	4	13	114250-53331	7	39	114260-76520	6	45
114250-01200	1	5	114250-12530	4	15	114250-53400	7	40	114262-21590	2	24
114250-01210	1	8	114250-12550	4	21	114250-55040	8	7	114262-21591	2	24 -1
114250-01220	1	11	114250-12560	4	17	114250-55041	8	7 -1	114262-21600	2	28
114250-01250	1	14	114250-12580	4	19	114250-55050	8	8	114268-07280	10	10
114250-01340	1	20	114250-13200	4	26	114250-55060	8	9	114268-07360	10	12
	10	39		10	62	114250-55100	8	11	114268-13800	4	38
114250-01380	1	23	114250-13521	4	28	114250-55120	8	19	114268-92300	10	27
	10	42	114250-13531	4	31	114250-55130	8	22	114350-01200	1	6
114250-01411	1	26	114250-13701	4	34	114250-55150	8	12	114350-01210	1	9
	10	45	114250-14200	2	5	114250-55200	8	18	114350-01220	1	12
114250-01412	1	26 -1	114250-14260	2	7	114250-55201	8	18 -1	114350-01250	1	15
	10	45 -1	114250-14450	2	8 -1	114250-55210	8	23	114350-01340	1	21
114250-01800	1	36	114250-14900	2	8	114250-55211	8	23 -1		10	40
114250-01830	1	41	114250-21550	2	22	114250-55221	8	24	114350-01380	1	24
114250-01840	1	42	114250-22302	2	39	114250-55231	8	24 -1		10	43
	10	49	114250-23200	2	57	114250-55300	8	27	114350-01411	1	27
114250-02030	1	50	114250-23220	2	59	114250-59050	8	39		10	46
114250-02100	1	51	114250-23250	2	60	114250-59060	8	41	114350-01412	1	27 -1
114250-02112	1	54	114250-32010	5	1	114250-59800	8	42		10	46 -1
114250-02113	1	54 -1	114250-32070	5	3	114250-61600	5	27	114350-02100	1	52
114250-02200	1	67	114250-35060	5	7	114250-61900	5	27 -1	114350-02112	1	55
114250-02210	1	70	114250-35070	5	7 -1	114250-66010	6	20	114350-02113	1	55 -1
114250-03591	3	53	114250-35150	1	66	114250-66200	6	23	114350-02200	1	68
114250-03640	3	54	114250-35250	5	8	114250-66440	6	28 -1	114350-02210	1	71
114250-07950	10	14	114250-35270	5	9	114250-66550	6	34	114350-11020	3	2
114250-11020	3	1		10	65	114250-76590	6	69	114350-11021	3	2 -1
114250-11101	3	4	114250-45210	6	5	114250-76600	6	77	114350-11101	3	5
114250-11112	3	7	114250-45211	6	5 -1	114250-76610	6	79	114350-11112	3	8
114250-11120	3	10	114250-45300	6	8	114250-92101	10	20	114350-11120	3	11
114250-11180	3	13	114250-45310	6	9	114250-92121	10	22	114350-11340	3	22
114250-11190	3	16	114250-45330	6	11	114250-92130	10	21		10	52
114250-11240	3	36	114250-51080	7	5	114250-92311	10	30	114350-11470	3	25
114250-11290	3	19	114250-51150	7	11	114250-92350	10	33	114350-12010	4	2
114250-11310	3	48	114250-51160	7	12	114250-92600	10	15	114350-12011	4	2 -1

## Parts No. Index

Parts No.	Fig. No.	Ref. No.
114350-12200	4	5
	10	58
114350-12201	4	5 -1
	10	58 -1
114350-13522	4	29
114350-13523	4	29 -1
114350-13532	4	32
114350-13533	4	32 -1
114350-13702	4	35
114350-13703	4	35 -1
114350-14450	2	9 -1
114350-14900	2	9
114350-22301	2	40
114350-45201	6	6
114350-45320	6	10
114350-45340	6	13
114350-51200	7	7
114350-53000	7	27
114350-55120	8	20
114350-55150	8	13
114350-55221	8	25
114350-55231	8	25 -1
114350-59800	8	43
114350-66011	6	21
114350-76590	6	70
114350-92311	10	31
114350-92350	10	34
114350-99100	1	2 -A
114350-99110	1	2 -B
114351-78200	9	26
114351-78250	9	26 -1
114351-78610	9	27
114351-78620	9	28
114351-78750	9	28 -1
114351-78760	9	27 -1
114360-21400	2	20
114360-45100	6	2
114360-45101	6	2 -1
114360-59060	8	39 -1
114360-76050	6	42
114360-76250	6	44
114360-76510	6	46
114362-21590	2	25
114362-21600	2	29
114362-77010	9	1
114368-01451	1	30
114368-01452	1	30 -1
114368-92300	10	28
114650-01230	1	7
114650-01240	1	10

Parts No.	Fig. No.	Ref. No.
114650-01250	1	16
114650-01260	1	19
114650-01340	1	22
	10	41
114650-01380	1	25
	10	44
114650-01411	1	28
	10	47
114650-01412	1	28 -1
	10	47 -1
114650-01470	1	31 -1
114650-02100	1	53
114650-02150	1	56
114650-02200	1	69
114650-02210	1	72
114650-11010	3	3
114650-11100	3	6
114650-11110	3	9
114650-11120	3	12
114650-11121	3	12 -1
114650-11261	3	20
114650-11310	3	49
	10	56
114650-11340	3	23
	10	53
114650-11600	3	27
114650-11652	3	29
114650-11662	3	31
114650-11950	3	51
114650-12020	4	3
114650-12210	4	8
	10	61
114650-12300	4	6
	10	59
114650-12520	4	14
114650-12530	4	16
114650-12540	4	20
114650-13200	4	27
	10	63
114650-13501	4	30
114650-13502	4	30 -1
114650-13511	4	33
114650-13512	4	33 -1
114650-13701	4	36
114650-13702	4	36 -1
114650-14200	2	6
114650-14401	2	10
114650-21551	2	23
114650-22300	2	41
114650-32010	5	2

Parts No.	Fig. No.	Ref. No.
114650-45200	6	7
114650-45330	6	12
114650-51100	7	8
114650-51300	7	14
114650-53000	7	28
114650-53300	7	35
114650-55120	8	21
114650-55150	8	14 -1
114650-55230	8	26
114650-55810	8	30 -1
		31
114650-59800	8	44
114650-59850	8	45
114650-66011	6	22
114650-66600	6	35
114650-76520	6	48 A
114650-76540	6	52 A
114650-76610	6	62 A
114650-76630	6	66 A
114650-92310	10	32
114650-92350	10	35
114651-76301	6	71
114651-76302	6	71 -1
114651-76590	6	72
114651-76610	6	75
114651-76650	6	74
114652-59300	8	41 -1
114654-11110	3	9 -1
114658-13800	4	39
114658-76590	6	73
114658-76600	6	78
114660-01451	1	31
114660-21400	2	21
114660-21401	2	21 -1
114660-45100	6	4
114660-45101	6	4 -1
114660-76050	6	42 A
114660-76250	6	44 A
114660-76530	6	46 A
114660-76590	6	70 A
114662-07400	10	13
114662-21591	2	26
114662-21592	2	26 -1
114662-21601	2	30
114668-45100	6	3
114668-45101	6	3 -1
114668-45102	6	3 -2
114668-92300	10	29
119620-11180	3	15
121450-61520	5	26

Parts No.	Fig. No.	Ref. No.
122710-01220	2	12
124060-23100	2	62
124550-51350	7	17
124722-59050	8	15
		40
124950-01250	1	17
129792-22400	2	44
135210-61090	6	19
160110-02220	1	57
		59
160110-76620	6	76
160120-76940	6	15
160210-02220	1	58
160260-76520	6	47
160260-76530	6	49
160260-76540	6	51
160260-76550	6	53
160260-76560	6	54
160260-76580	6	59
160260-76590	6	56
160260-76600	6	60
160260-76610	6	61
160260-76620	6	63
160260-76630	6	65
160290-76570	6	58
160330-92730	10	16
160611-66440	6	28
160710-01760	1	33
160710-78710	9	29
160810-76520	6	48
160810-76540	6	52
160810-76580	6	57
160810-76610	6	62
160810-76620	6	64
160810-76630	6	66
160840-76530	6	50
160840-76560	6	55
160910-01740	1	34
160910-76530	6	50 A
160910-76550	6	53 A
160910-76560	6	55 A
160910-76570	6	58 A
160910-76580	6	57 A
160910-76620	6	64 A
160910-76650	6	66 B
160970-77350	9	22
181130-76680	6	67
181130-76700	6	68
183250-07120	10	7
183250-07230	10	11

## Parts No. Index

Parts No.	Fig. No.	Ref. No.
183250-39450	1	4
183250-66050	6	25
183250-66070	6	26
183250-66100	6	27
183250-66500	6	24
183350-07120	10	8
183350-77400	9	23
183650-07120	10	9
183720-55210	6	14
22117-060000	8	32
22117-080000	8	32 -1
		33
22137-080000	5	28
22217-060000	6	68 A
22252-000190	2	42
22252-000210	2	43
22312-030080	2	61
22312-030160	3	57
	5	5
22312-080120	1	43
22351-020006	7	21
22351-030008	7	22
22351-040008	3	39
22451-060000	6	36
22512-040120	2	17
22512-050140	2	18
23414-120000	8	16
23887-120002	8	17
24101-062024	2	71
24101-062034	2	72
24101-062050	1	61
24101-062060	1	62
24101-062070	1	63
24162-152112	1	64
24311-000180	1	35
	10	48
24341-000150	8	28
24341-000224	5	10
24423-355008	1	60
26106-060082	4	37
	6	80
26106-060122	4	40
	5	11
	6	81
	9	24
26106-060162	5	11 -1
26106-060202	6	82
26106-060252	1	44
	4	23
26106-060452	6	37

Parts No.	Fig. No.	Ref. No.
26106-060552	3	60
26106-060702	3	61
26106-080122	1	65
26106-080162	4	41
	8	34
26106-080352	1	45
26106-080452	3	40
	8	34 -1
		35
26106-100302	9	25
26106-100552	3	41
26116-060454	10	23
26116-080454	10	24
26216-080182	3	42
26226-060142	4	24
26226-060182	1	46
26226-060222	1	47
26226-060502	3	43
26226-060552	3	44
26226-060752	3	45
26226-080182	3	46
26226-080202	3	46 -1
26366-060002	1	48
	3	47
	4	25
	8	36
26366-080002	4	42
26476-060142	5	6
	6	16
		38
	8	37
	9	30
26476-060202	6	17
	9	31
26476-060252	6	18
26577-060142	9	32
26696-100002	6	32
		40
26716-060002	10	25
26716-080002	10	26
26717-060002	6	68 B
26756-060002	3	37
26757-060002	6	33
27310-060001	3	17 -1
27310-070001	3	18 -1
28110-100120	10	17
28110-140170	10	18
28210-000150	10	19
43400-500490	1	49
	10	50

Parts No.	Fig. No.	Ref. No.
714250-11570	3	16 -1
714250-12560	4	9
714250-22502	2	35
714250-22541	2	49
714250-22542	2	49 -1
714250-22550	2	77
714250-22580	2	73
714250-22621	2	45
714250-22624	2	45 -1
714250-22723	2	31
714250-23600	2	63
714250-23610	2	81
714250-23620	2	84
714250-23703	2	53
714250-28510	2	67
714250-51701	7	1
714250-53101	7	23
714250-61500	5	19
714250-61700	5	12
714250-92601	10	36
714250-92602	10	36 -1
714251-01562	1	1 -1
714251-01563	1	1 -2
714260-14581	2	1
714260-22580	2	73 -1
714260-22620	2	45 -2
714260-22720	2	31 -1
714268-21730	2	13
714268-55720	8	1
714268-55721	8	1 -1
714350-22502	2	36
714350-22541	2	50
714350-22542	2	50 -1
714350-22550	2	78
714350-23600	2	64
714350-23610	2	82
714350-23620	2	85
714350-23703	2	54
714350-23704	2	54 -1
714350-28510	2	68
714350-51700	7	2
714350-53100	7	24
714350-61500	5	20
714350-92601	10	37
714350-92602	10	37 -1
714351-01563	1	2 -1
714351-01564	1	2 -2
714360-14580	2	2
714360-22580	2	74
714360-22621	2	46

Parts No.	Fig. No.	Ref. No.
714360-22625	2	46 -1
714360-22723	2	32
714360-22724	2	32 -1
714360-22725	2	32 -2
714368-21730	2	14
714368-55720	8	2
714368-55721	8	2 -1
714650-12560	4	10
714650-22501	2	37
714650-22540	2	51
714650-22550	2	79
714650-23600	2	65
714650-23610	2	83
714650-23620	2	86
714650-23700	2	55
714650-28510	2	69
714650-51710	7	3
714650-53100	7	25
714650-61500	5	21
714650-61700	5	13
714650-92601	10	38
714650-92602	10	38 -1
714651-01561	1	3
714660-14580	2	3
714660-14581	2	3 -1
714660-14582	2	3 -2
714660-22580	2	75
714660-22620	2	47
714660-22623	2	47 -1
714660-22720	2	33
714660-22723	2	33 -1
714668-21760	2	15
714668-55720	8	3
714668-55721	8	3 -1
X211412105	9	5
X211416603	9	14
X211427501	9	18
X21142835	9	21
X21143215	9	7
X211445508	9	13
X21145312	9	6
X21145352	9	9
		15
X211456013	9	17
X21145867	9	20
X211461104	9	2
X211468005	9	19
X21147155	9	4
X211473002	9	8
X211478006	9	16



Parts No. Index

Parts No.	Fig. No.	Ref. No.
X21148110	9	3
X21148313	9	11
X211489001	9	10
X21149314	9	12

Parts No.	Fig. No.	Ref. No.
-----------	----------	----------

Parts No.	Fig. No.	Ref. No.
-----------	----------	----------

Parts No.	Fig. No.	Ref. No.
-----------	----------	----------