

0CW10-M63300EN

P R E F A C E

1. This parts catalog is the 1st edition of L100N2CA1C1JA for PRAMAC.

Pub.No. : 0CW10-G63300

Published : September, 2010

2. Model name

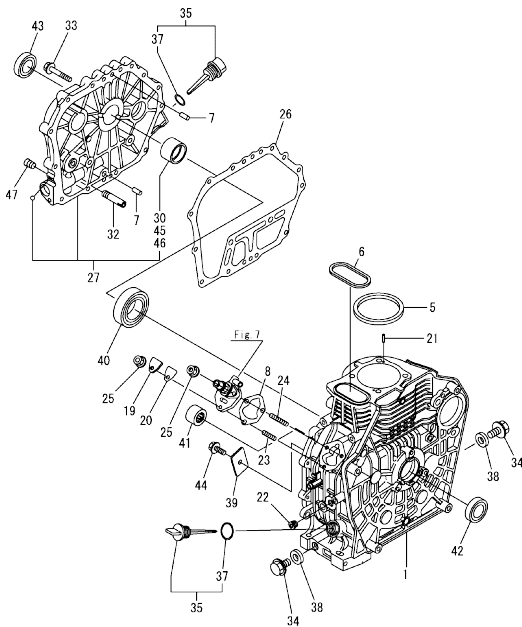
Engine model	Vehicle	Vehicle made by
L100N2CA1C1JA	WASHER PUMP	PRAMAC

Contents

0CW10-M63300

Fig. No.	Fig. Name	Fig. No.	Fig. Name
L100N2CA1C1JA			
1.	CYLINDER BLOCK		
2.	CYLINDER HEAD & BONNET		
3.	AIR CLEANER & MUFFLER		
4.	CRANKSHAFT,PISTON & CAMSHAFT		
5.	LUB.OIL PUMP & GOVERNOR		
6.	COOLING & STARTING DEVICE		
7.	F.I.PUMP & F.I.VALVE		
8.	FUEL TANK & FUEL PIPE		
9.	STARTING MOTOR & DYNAMO		
10.	TOOL, LABEL & GASKET SET		

Fig.1. CYLINDER BLOCK



(A)=L100N2CA1C1JA
(B)=
(C)=

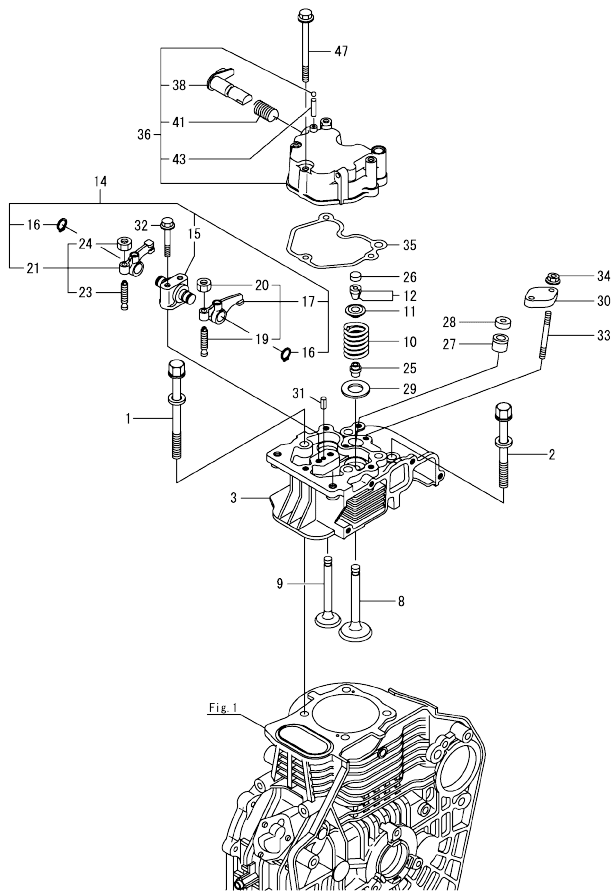
(D)=
(E)=
(F)=

No.	Lev.	Parts No.	Description	Q'ty						I	R
				(A)	(B)	(C)	(D)	(E)	(F)		
1	1	114310-01020	BLOCK ASSY, CYLINDER	1							
5	1	114695-01341	GASKET, HEAD 0.5	1							
6	1	114699-01380	O-RING	1							
7	1	114299-01600	PIN, 8X12	2							
8	1	114299-01800	SHIM SET	1							
19	1	114299-01830	COVER	1							
20	1	114250-01841	GASKET	1							
21	1	22312-040080	PIN, PARALLEL M4X 8	2							
22	1	23875-020000	PLUG, R02	1							
23	1	26226-060182	STUD, M6X 18	1							
24	1	26226-060222	STUD, M6X 22	2							
25	1	26366-060002	NUT, M6	3							
26	1	114699-01410	GASKET, CRANK CASE	1							
27	1	114310-01450	COVER(D, CRANK CASE	1							
30	2	114650-02100	BEARING, MAIN	1							1
32	1	114299-35150	PIPE, OIL INLET	1							
33	1	26106-080352	BOLT, M8X 35 PLATED	16							
34	1	114299-01690	PLUG, DRAIN 16	2							
35	1	114699-01760	CAP ASSY	2							
37	2	114299-01950	O-RING, 18	2							
38	1	22190-160002	WASHER, SEAL 16	2							
39	1	114299-02030	RETAINER, BEARING	1							
40	1	114650-02150	BEARING, HR6308G3C3	1							
41	1	24162-152220	BEARING, 152220	1							
42	1	24423-355008	SEAL, OIL TC355008	1							
43	1	24423-355008	SEAL, OIL TC355008	1							
44	1	26106-080122	BOLT, M8X 12 PLATED	1							
45	1	114650-02200	BEARING, 0.25 US	1							2
46	1	114650-02210	BEARING, 0.50 US	1							3
47	1	23876-010000	PLUG, R01	1							

Remarks

- (1) Repair parts.
- (2) Under sized(U.S.=0.25)parts.
- (3) Under sized(U.S.=0.50)parts.

Fig.2. CYLINDER HEAD & BONNET

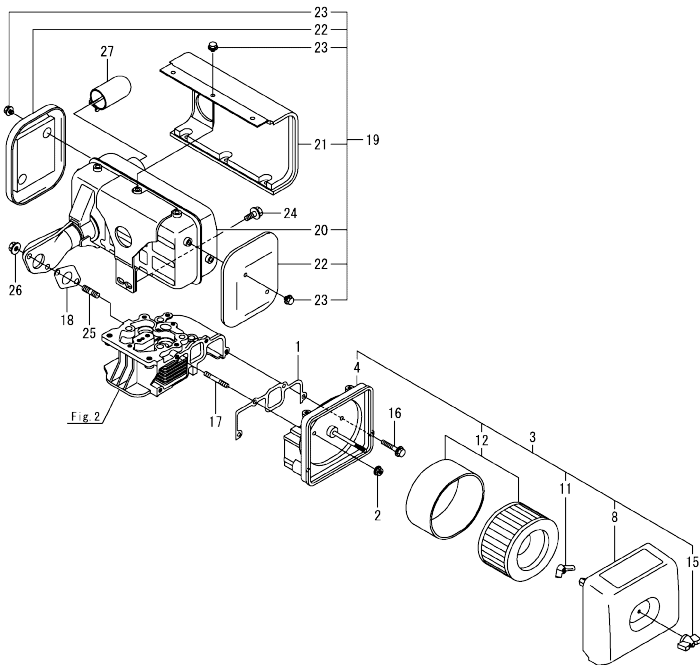


(A)=L100N2CA1C1JA
(B)=
(C)=

(D)=
(E)=
(F)=

No.	Lev.	Parts No.	Description	Qty						I	R	
				(A)	(B)	(C)	(D)	(E)	(F)			
1	1	114310-01200	BOLT, CYL HEAD A	2								
2	1	114310-01210	BOLT, CYL HEAD B	2								
3	1	114320-11020	HEAD ASSY, CYLINDER	1								
8	1	11431C-11100	VALVE, INTAKE	1								
9	1	11431C-11110	VALVE, EXHAUST	1								
10	1	114310-11120	SPRING, VALVE	2								
11	1	114310-11180	RETAINER, SPRING	2								
12	1	114310-11930	COTTER ASSY	2								
14	1	11431C-11250	SUPPORT ASSY, ARM	1								
15	2	11431C-11260	SUPPORT, ROCKER ARM	1								
16	2	22243-000150	RING, 15	2								
17	2	11431C-11650	ARM, ROCKER	1								
19	3	114250-11240	SCREW, VALVE ADJUST	1								
20	3	26856-060002	NUT, M6	1								
21	2	11431C-11660	ARM, ROCKER	1								
23	3	114250-11240	SCREW, VALVE ADJUST	1								
24	3	26856-060002	NUT, M6	1								
25	1	114650-11340	SEAL, VALVE STEM	2								
26	1	104211-11370	CAP, VALVE	2								
27	1	114240-11450	PROTECTOR, NOZZLE	1								
28	1	114240-11550	SEAT, NOZZLE	1								
29	1	114699-11600	WASHER	2								
30	1	114210-11901	RETAINER, NOZZLE	1								
31	1	22351-040008	PIN, SPRING 4.0X 8	1								
32	1	26106-080502	BOLT, M8X 50 PLATED	2								
33	1	26226-060552	STUD, M6X 55	2								
34	1	26366-060002	NUT, M6	2								
35	1	114310-11310	GASKET, BONNET	1								
36	1	114310-11950	BONNET ASSY, HEAD	1								
38	2	114210-03590	SHAFT ASSY, DECOMP.	1								
41	2	114299-03640	SPRING, DECOMPRESSION	1								
43	2	22312-030160	PIN, PARALLEL M3X16	1								
47	1	26106-060652	BOLT, M6X 65 PLATED	3								

Fig.3. AIR CLEANER & MUFFLER



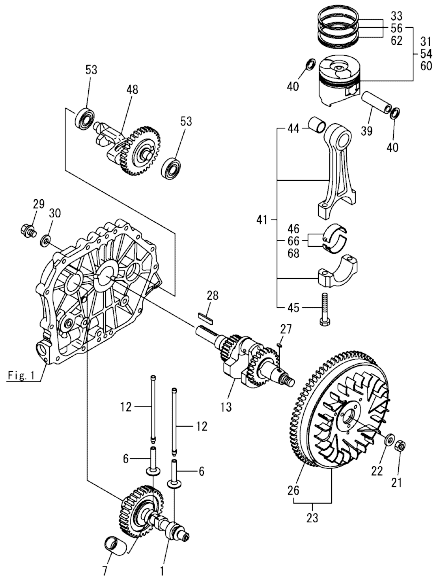
(A)=L100N2CA1C1JA
(B)=
(C)=

(D)=
(E)=
(F)=

No.	Lev.	Parts No.	Description	Q'ty						I	R
				(A)	(B)	(C)	(D)	(E)	(F)		
1	1	114310-12210	GASKET, AIR CLEANER	1							
2	1	114299-12300	NUT	3							
3	1	114320-12550	CLEANER ASSY, AIR	1							
4	2	114310-12010	BODY ASSY, AIR CLNR	1							
8	2	114220-12500	COVER ASSY, AIR CLNR	1							
11	2	114210-12560	NUT, WING	1							
12	2	114210-12590	ELEMENT ASSY	1							
15	2	114210-12600	LOCKING KNOB	1							
16	1	26106-060402	BOLT, M6X 40 PLATED	1							
17	1	26226-060352	STUD, M6X 35	3							
18	1	114310-13200	GASKET, MUFFLER	1							
19	1	11431C-13550	MUFFLER ASSY	1							
20	2	11431C-13560	MUFFLER	1							
21	2	11431C-13700	COVER	1							
22	2	11431C-13710	COVER	2							
23	2	11431C-13720	BOLT, M6	10							
24	1	26106-080202	BOLT, M8X 20 PLATED	2							
25	1	26216-080182	STUD, M8X 18	2							
26	1	26366-080002	NUT, M8	2							
27	1	114699-13800	PIPE	1							
27-1	1	114320-13800	DEFLECTOR ASSY, EXH	1							N

(A)=ES10349)

Fig.4. CRANKSHAFT,PISTON & CAMSHAFT



No.	Lev.	Parts No.	Description	Q'ty						I	R
				(A)	(B)	(C)	(D)	(E)	(F)		
1	1	71432C-14010	CAMSHAFT ASSY	1							
6	1	114310-14200	TAPPET	2							
7	1	114210-14300	TAPPET ASSY,ROLLER	1							
12	1	114310-14400	ROD ASSY, PUSH	2							
13	1	11431C-21730	CRANKSHAFT ASSY,E-D	1							
21	1	114699-21220	NUT	1							
22	1	114699-21550	WASHER	1							
23	1	114699-21600	FLYWHEEL ASSY, DE	1							
26	2	114699-21630	GEAR, RING	1							
27	1	22512-050140	KEY, 5X 14	1							
28	1	160842-21150	KEY, 6.3X50	1							
29	1	160842-21250	BOLT, 7/16-20UNF	1							
30	1	160842-21260	WASHER	1							
31	1	714320-22720	PISTON W/RINGS (D	1							
33	2	714310-22500	RING SET, PISTON	1							
39	1	114699-22300	PIN, PISTON D=23	1							
40	1	114310-22500	SEEGER RING, J23	2							
41	1	71431C-23010	ROD ASSY, CONNECTING	1							
44	3	124060-23100	BEARING, PISTON PIN	1							
45	3	119810-23200	BOLT, CONNECTING ROD	2							
46	2	714650-23600	BEARING, CRANK PIN	1							
48	1	714310-28510	SHAFT ASSY, BALANCER	1							
53	1	24101-063040	BEARING, BALL 6304C3	2							
54	1	714320-22620	PISTON W/RING OS= 25	1							1
56	2	714310-22540	RING SET O.S.=0.25	1							1
60	1	714320-22580	PISTON W/RING OS=0.5	1							2
62	2	714310-22550	RING SET O.S.=0.50	1							2
66	1	714650-23610	BEARING ASSY, 0.25	1							3
68	1	714650-23620	BEARING, 0.50 US	1							4

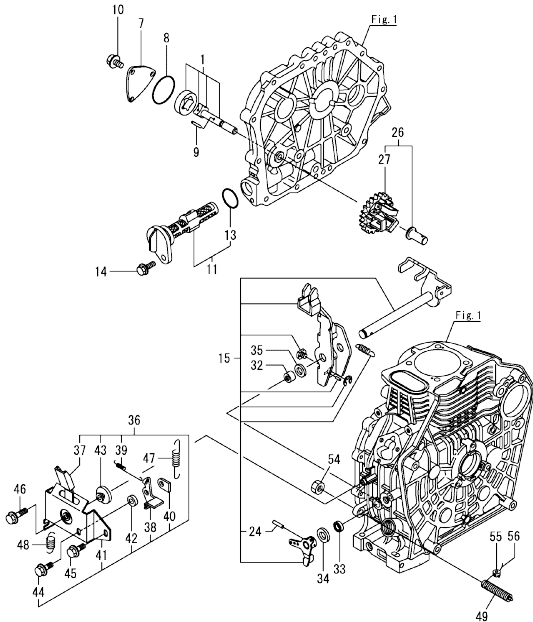
Remarks

- (1) Over sized(O.S.=0.25)parts.
- (2) Over sized(O.S.=0.50)parts.
- (3) Under sized(U.S.=0.25)parts.
- (4) Under sized(U.S.=0.50)parts.

Fig.5. LUB.OIL PUMP & GOVERNOR

(A)=L100N2CA1C1JA
(B)=
(C)=

(D)=
(E)=
(F)=

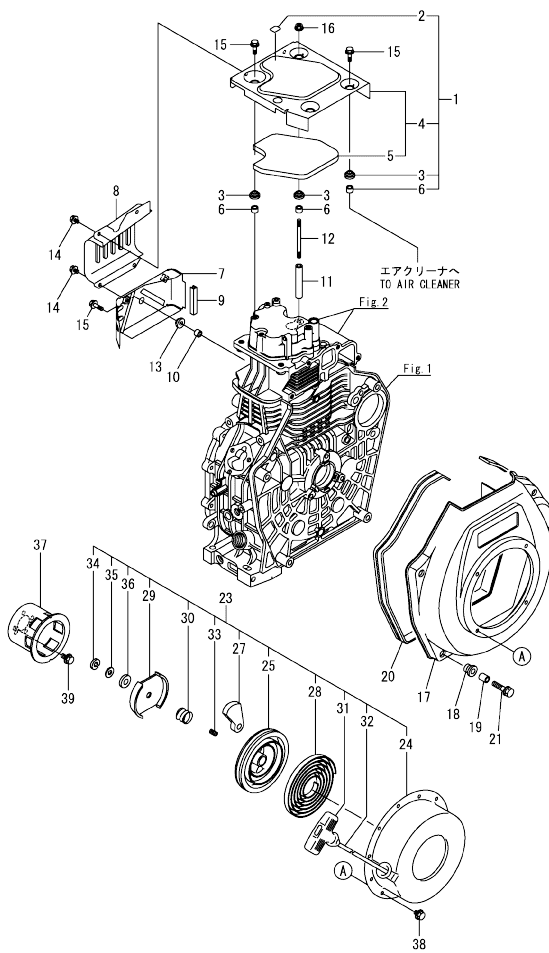


No.	Lev.	Parts No.	Description	Q'ty						I	R
				(A)	(B)	(C)	(D)	(E)	(F)		
1	1	114650-32010	PUMP ASSY, OIL	1							
7	1	114299-32070	COVER	1							
8	1	114299-32570	O-RING	1							
9	1	22312-030160	PIN, PARALLEL M3X16	1							
10	1	26106-060122	BOLT, M6X 12 PLATED	3							
11	1	114299-35110	FILTER ASSY, OIL	1							
13	2	24341-000224	O-RING, 1AS22.4	1							
14	1	26106-060162	BOLT, M6X 16 PLATED	1							
15	1	114311-61500	LEVER ASSY, GOVERNOR	1							1
24	2	22322-030200	PIN, TAPER 3X20	1							
26	1	714210-61701	GOVERNOR ASSY	1							
27	2	114210-61290	WEIGHT ASSY, GOVERNOR	1							
32	1	114770-61520	BEARING, NEEDLE	2							
33	1	114299-61600	SEAL, OIL	1							
34	1	114770-61610	WASHER, THRUST	1							
35	1	114299-61190	WASHER	1							
36	2	114210-66300	HANDLE	1							
37	1	114210-66511	BRACKET ASSY, HANDLE	1							
38	2	183250-66321	LEVER, LOCK	1							
39	2	114210-66330	SPRING, LOCK LEVER	1							
40	2	183250-66341	NUT, LOCK	1							
41	2	114210-66350	BRACKET, HANDLE	1							
42	2	183250-66361	COLLAR	1							
43	2	183250-66371	COLLAR	1							
44	2	26106-060162	BOLT, M6X 16 PLATED	1							
45	1	26106-060142	BOLT, M6X 14 PLATED	1							
46	1	26106-060202	BOLT, M6X 20 PLATED	1							
47	1	114320-66010	SPRING, REGULATOR	1							
48	1	114299-66200	SPRING, RETURN	1							
49	1	114650-66750	LIMITER ASSY, FUEL	1							
54	1	26776-100002	NUT, LOCK M10	1							
55	1	114780-61090	TIN	1							
56	1	22451-060000	WIRE, 0.6	1							

Remarks

(1) On a guarantee of quality component part shall not be sold.

Fig.6. COOLING & STARTING DEVICE



(A)=L100N2CA1C1JA
(B)=
(C)=

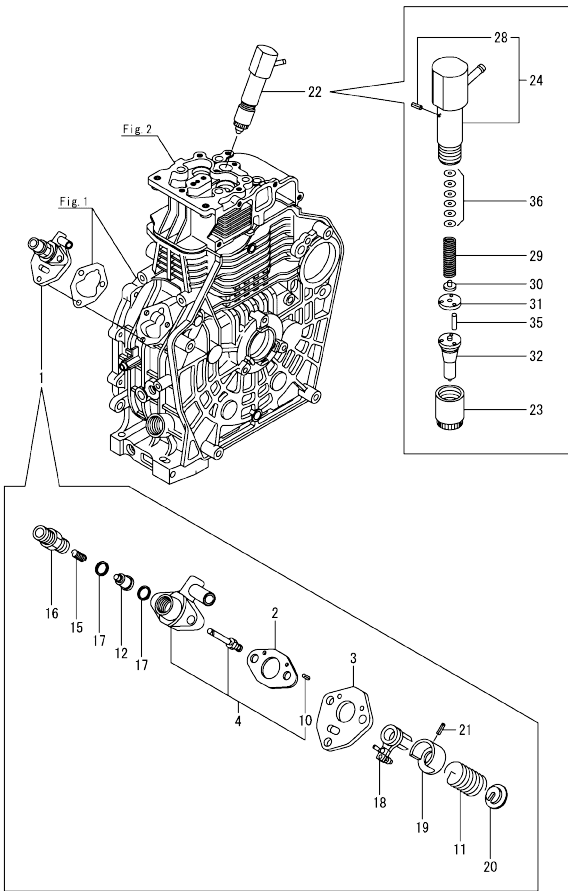
(D)=
(E)=
(F)=

No.	Lev.	Parts No.	Description	Q'ty						I	R
				(A)	(B)	(C)	(D)	(E)	(F)		
1	1	11432C-45200	TOP COVER ASSY	1							
2	2	114220-07120	LABEL, DECOMPRESSION	1							
3	2	183720-55210	GROMMET	4							
4	2	11431C-45300	COVER	1							
5	3	11431C-45310	INSULATOR, NOISE	1							
6	2	114350-45340	COLLAR	4							
7	1	11431C-45260	COVER	1							
8	1	11431C-45270	COVER	1							
9	1	114399-45320	RUBBER, SEAL	1							
10	1	114399-45340	COLLAR	1							
11	1	114310-45350	SPACER, TOP COVER	1							
12	1	114310-45360	STUD BOLT, TOP COVER	1							
13	1	114299-45220	GROMMET	1							
14	1	26106-060082	BOLT, M6X 8 PLATED	4							
15	1	26106-060202	BOLT, M6X 20 PLATED	4							
16	1	26366-060002	NUT, M6	1							
17	1	11431C-45100	CASE, COOLING FAN	1							
18	1	114299-45301	RUBBER, CUSHION	4							
19	1	114299-45310	COLLAR	4							
20	1	114699-45331	SEAL, FAN CASE	1							
21	1	114299-45350	BOLT, FAN CASE	4							
23	1	114699-76251	STARTER ASSY, RECOIL	1							
24	2	114699-76510	CASE, STARTER	1							
25	2	114699-76521	REEL, RECOIL	1							
27	2	114699-76531	RATCHET	2							
28	2	114399-76540	SPRING, SPIRAL	1							
29	2	114699-76551	GUIDE, RATCHET	1							
30	2	114699-76560	SPRING, FRICTION	1							
31	2	114399-76620	KNOB, STARTER	1							
32	2	114699-76630	ROPE, STARTER	1							
33	2	114699-76650	SPRING, RETURN	1							
34	2	114699-76660	CIRCLIP	1							
35	2	114699-76670	WASHER	1							
36	2	114699-76680	WASHER	1							
37	1	114699-76592	PULLEY, STARTER	1							
38	1	26106-060082	BOLT, M6X 8 PLATED	4							
39	1	26106-060122	BOLT, M6X 12 PLATED	3							

Fig.7. F.I.PUMP & F.I.VALVE

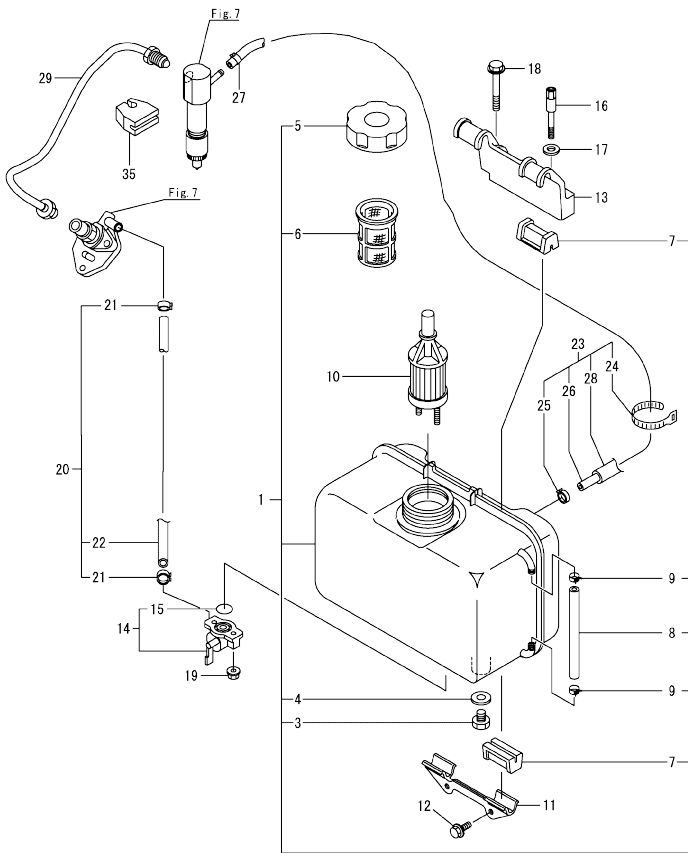
(A)=L100N2CA1C1JA
(B)=
(C)=

(D)=
(E)=
(F)=



No.	Lev.	Parts No.	Description	Q'ty						I	R
				(A)	(B)	(C)	(D)	(E)	(F)		
1	1	714339-51200	F.I.PUMP ASSY	1							
2	2	105546-51020	GASKET	1							
3	2	114250-51080	PLATE	1							
4	2	114339-51100	BODY ASSY, PUMP	1							
10	4	22351-020006	PIN, SPRING 2.0X 6	2							
11	2	114250-51160	SPRING, PLUNGER	1							
12	2	114650-51300	VALVE ASSY, DELIVERY	1							
15	2	105546-51330	SPRING, DELIVERY	1							
16	2	114250-51340	HOLDER, DELIVERY	1							
17	2	124550-51350	GASKET, DELIVERY	2							
18	2	114250-51600	LEVER ASSY, CONTROL	1							
19	2	114250-51640	SEAT, SPRING A	1							
20	2	114250-51650	SEAT, SPRING B	1							
21	2	22351-030008	PIN, SPRING 3.0X 8	1							
22	1	714339-53200	VALVE ASSY, INJECTION	1							
23	2	114250-53080	NUT, NOZZLE D16.95	1							
24	2	114339-53100	HOLDER ASSY, NOZZLE	1							
28	3	22351-025005	PIN, SPRING 2.5X 6	1							
29	2	114250-53120	SPRING, NOZZLE	1							
30	2	114250-53130	SEAT, SPRING	1							
31	2	114250-53140	PLATE	1							
32	2	114339-53200	VALVE ASSY, INJECTION	1							
35	2	114250-53210	PIN	2							
36	2	114250-53400	SHIM SET	1							

Fig.8. FUEL TANK & FUEL PIPE



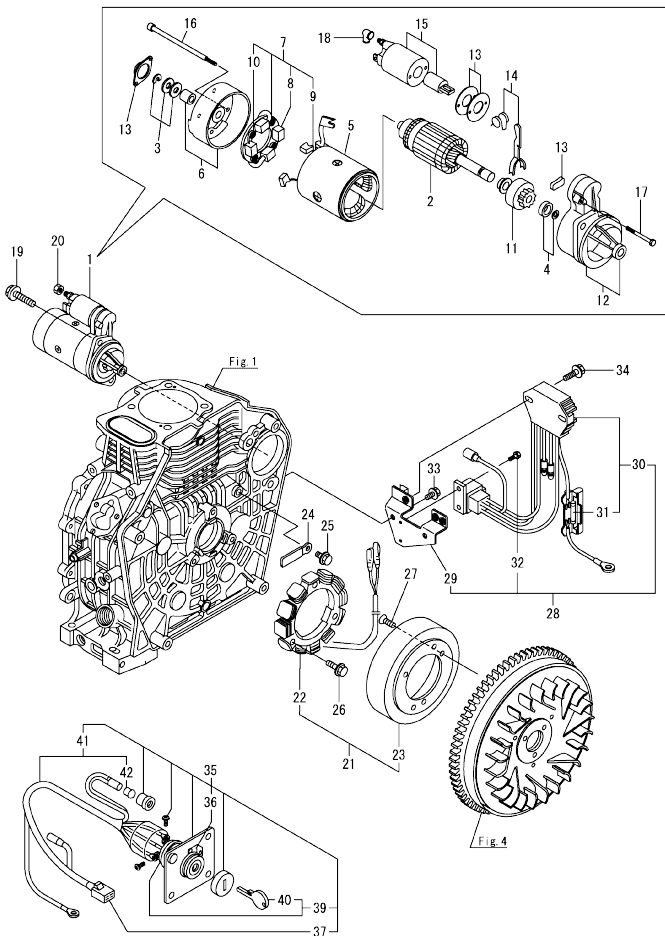
(A)=L100N2CA1C1JA
(B)=
(C)=

(D)=
(E)=
(F)=

No.	Lev.	Parts No.	Description	Qty						I	R
				(A)	(B)	(C)	(D)	(E)	(F)		
1	1	11431C-55730	TANK ASSY, FUEL	1							
3	3	114299-55080	PLUG, DRAIN	1							
4	2	114250-55130	GASKET	1							
5	2	114299-55040	CAP ASSY, FUEL TANK	1							
6	2	114299-55100	ELEMENT, FUEL FILTER	1							
7	2	114250-55201	DAMPER, FUEL TANK	4							
8	2	114339-55150	GAUGE, LEVEL	1							
9	2	23080-007000	CLAMP, 7	2							
10	1	114250-55121	FILTER ASSY, FUEL	1							
11	1	114210-55210	STAY, FUEL TANK A	1							
12	1	26106-060162	BOLT, M6X 16 PLATED	2							
13	1	114310-55230	STAY, FUEL TANK B	1							
14	1	114250-55301	COCK ASSY, FUEL	1							
15	2	24341-000150	O-RING, 1AS15.0	1							
16	1	114210-55810	BOLT, LIFTING	1							
17	1	22117-080000	WASHER, 8	1							
18	1	26106-080452	BOLT, M8X 45 PLATED	1							
19	1	26366-060002	NUT, M6	2							
20	1	114780-59010	PIPE ASSY, FUEL L50	1							
21	2	23080-014000	CLAMP, 14	2							
22	2	114780-59060	PIPE, FUEL L=50	1							
23	1	114339-59300	PIPE ASSY, RETURN	1							
23-1	1	114339-59301	PIPE ASSY, FO RETURN	1							N
(A=*2019.03)											
24	2	121750-59890	BAND, NYLON	1							
25	2	124722-59050	CLAMP, HOSE 9	1							
26	2	114310-59060	PIPE, FUEL RETURN	1							
26-1	2	114310-59061	PIPE, FO RETURN	1							N
(A=*2019.03)											
27	2	124066-59100	CLAMP, HOSE 8	1							
28	2	114310-59310	HOSE, PROTECTION	1							
29	1	114310-59800	PIPE ASSY, INJECTION	1							
35	1	114699-59850	SUPPORT, PIPE	1							

Fig.9. STARTING MOTOR & DYNAMO

(A)=L100N2CA1C1JA
(D)=
(E)=
(F)=

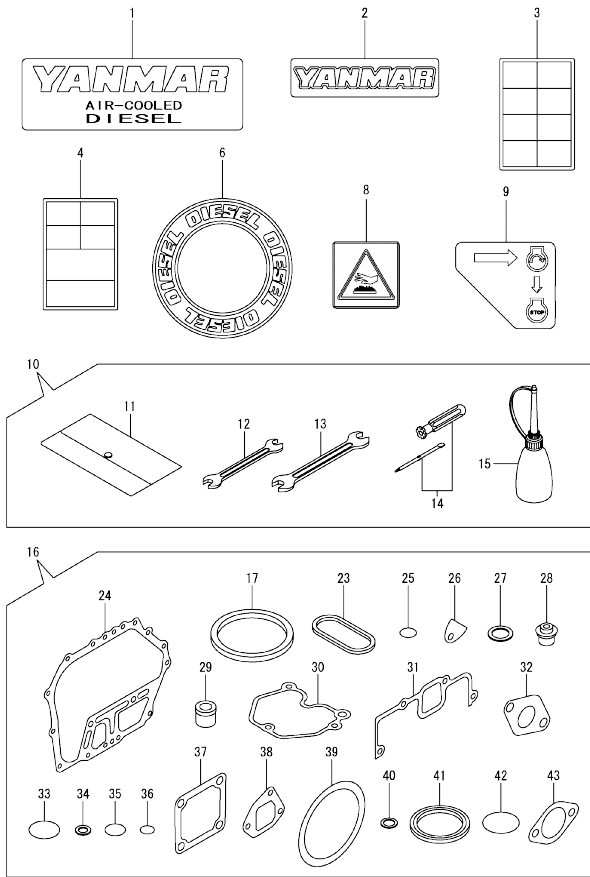


No.	Lev.	Parts No.	Description	Q'ty						I	R
				(A)	(B)	(C)	(D)	(E)	(F)		
1	1	114362-77011	MOTOR ASSY, STARTER	1							
2	2	114381-77110	ARMATURE	1							
3	2	X2114811000	WASHER KIT, THRUST	1							
4	2	X2114715500	STOPPER SET, PINION	1							
5	2	114381-77130	COIL ASSY, FIELD	1							
6	2	114381-77140	COVER, REAR	1							
7	2	114371-77160	HOLDER ASSY, BRUSH	1							
8	3	114371-79040	BRUSH (-)	2							
9	3	114371-79050	BRUSH (+)	1							
10	3	114371-79060	SPRING, BRUSH	4							
11	2	X211485016	PINION ASSY	1							
12	2	114381-77151	HOUSING ASSY, GEAR	1							
13	2	114371-77170	COVER KIT, DUST	1							
14	2	114371-77180	LEVER KIT, SHIFT	1							
15	2	124298-77020	SWITCH, MAGNETIC	1							
16	2	124195-77770	THROUGH BOLT	2							
17	2	114371-79070	BOLT M 6X 37	2							
18	2	X2114274200	COVER, TERMINAL	1							
19	1	26106-100302	BOLT, M10X 30 PLATED	2							
20	1	26716-080002	NUT, M8	1							
21	1	114399-78280	DINAMO ASSY, 15A	1							
22	2	114399-78770	STATOR ASSY	1							
23	2	114399-78780	WHEEL, DYNAMO	1							
24	1	160710-78710	CLAMP, CORD	1							
25	1	26106-060122	BOLT, M6X 12 PLATED	1							
26	1	26106-060202	BOLT, M6X 20 PLATED	3							
27	1	26577-060142	SCREW, 6 X 14	3							
28	1	114399-77560	REG. & HARNESS ASSY	1							
29	2	114399-77410	BRACKET, HARNESS	1							
30	2	114399-77720	REGULATOR	1							
31	3	114399-78000	FUSE, 20A	1							
32	2	26023-040102	SCREW, M4X10	2							
33	1	26106-060122	BOLT, M6X 12 PLATED	2							
34	1	26106-060202	BOLT, M6X 20 PLATED	2							
35	1	114220-77500	PANEL ASSY, SWITCH	1							
36	2	114220-07170	LABEL, START SWITCH	1							
37	2	114351-77520	COUPLER	1							
39	2	106100-77620	SWITCH, KEY	1							
40	3	106100-77630	KEY, SWITCH	1							
41	2	114351-77700	HARNESS, WIRE	1							
42	3	29220-083200	BULB, 12V 3.4W	1							

Fig.10. TOOL, LABEL & GASKET SET

(A)=L100N2CA1C1JA
(B)=
(C)=

(D)=
(E)=
(F)=



No.	Lev.	Parts No.	Description	Q'ty						I	R
				(A)	(B)	(C)	(D)	(E)	(F)		
1	1	114299-07100	LABEL, YANMAR MARK A	1							
2	1	114299-07110	LABEL, YANMAR MARK B	1							
3	1	114220-07100	LABEL, CAUTION	1							
4	1	114220-07110	LABEL HOW TO START-E	1							
6	1	114299-07160	LABEL, DIESEL	1							
8	1	114220-07130	LABEL, HOT SURFACE	1							
9	1	114220-07150	LABEL, CONSTANT SPEE	1							
10	1	114299-92590	BOX, TOOL	1							
11	2	114299-92600	BAG, TOOL	1							
12	2	114299-92710	WRENCH	1							
13	2	114299-92720	WRENCH	1							
14	2	114299-92730	DRIVER, SCREW	1							
15	2	114299-92740	DIPSTICK	1							
16	1	114320-92600	GASKET SET	1							
17	2	114695-01331	GASKET, HEAD	1							
23	2	114699-01380	O-RING	1							
24	2	114699-01410	GASKET, CRANK CASE	1							
25	2	114250-01841	GASKET	1							
26	2	114299-01950	O-RING, 18	2							
27	2	114310-11310	GASKET, BONNET	1							
28	2	114650-11340	SEAL, VALVE STEM	2							
29	2	114771-11461	GASKET, NOZZLE	1							
30	2	114310-12210	GASKET, AIR CLEANER	1							
31	2	114699-12210	GASKET, AIR CLEANER	2							
32	2	114310-13200	GASKET, MUFFLER	1							
33	2	183671-13211	GASKET, EXH.PIPE	1							
34	2	114399-21980	GASKET	1							
35	2	114299-32570	O-RING	1							
36	2	160393-55050	GASKET	4							
37	2	129100-77510	GASKET, AIR HEATER	3							
38	2	22190-160002	WASHER, SEAL 16	2							
39	2	23414-080000	GASKET, 8X1.0	1							
40	2	23414-120000	GASKET, 12X1.0	1							
41	2	24311-000400	O-RING, 1AP40.0	1							
42	2	24341-000150	O-RING, 1AS15.0	2							
43	2	24341-000224	O-RING, 1AS22.4	1							

Remarks

(1) Optional parts.

Parts No. Index

Parts No.	Fig. No.	Ref. No.
104211-11370	2	26
105546-51020	7	2
105546-51330	7	15
106100-77620	9	39
106100-77630	9	40
114210-03590	2	38
114210-11901	2	30
114210-12560	3	11
114210-12590	3	12
114210-12600	3	15
114210-14300	4	7
114210-55210	8	11
114210-55810	8	16
114210-61290	5	27
114210-66300	5	36
114210-66330	5	39
114210-66350	5	41
114210-66511	5	37
114220-07100	10	3
114220-07110	10	4
114220-07120	6	2
114220-07130	10	8
114220-07150	10	9
114220-07170	9	36
114220-12500	3	8
114220-77500	9	35
114240-11450	2	27
114240-11550	2	28
114250-01841	1	20
	10	25
114250-11240	2	19
	23	
114250-51080	7	3
114250-51160	7	11
114250-51340	7	16
114250-51600	7	18
114250-51640	7	19
114250-51650	7	20
114250-53080	7	23
114250-53120	7	29
114250-53130	7	30
114250-53140	7	31
114250-53210	7	35
114250-53400	7	36
114250-55121	8	10
114250-55130	8	4
114250-55201	8	7
114250-55301	8	14
114299-01600	1	7
114299-01690	1	34

Parts No.	Fig. No.	Ref. No.
114299-01800	1	8
114299-01830	1	19
114299-01950	1	37
	10	26
114299-02030	1	39
114299-03640	2	41
114299-07100	10	1
114299-07110	10	2
114299-07160	10	6
114299-12300	3	2
114299-32070	5	7
114299-32570	5	8
	10	35
114299-35110	5	11
114299-35150	1	32
114299-45220	6	13
114299-45301	6	18
114299-45310	6	19
114299-45350	6	21
114299-55040	8	5
114299-55080	8	3
114299-55100	8	6
114299-61190	5	35
114299-61600	5	33
114299-66200	5	48
114299-92590	10	10
114299-92600	10	11
114299-92710	10	12
114299-92720	10	13
114299-92730	10	14
114299-92740	10	15
114310-01020	1	1
114310-01200	2	1
114310-01210	2	2
114310-01450	1	27
114310-11120	2	10
114310-11180	2	11
114310-11310	2	35
	10	27
114310-11930	2	12
114310-11950	2	36
114310-12010	3	4
114310-12210	3	1
	10	30
114310-13200	3	18
	10	32
114310-14200	4	6
114310-14400	4	12
114310-22500	4	40
114310-45350	6	11

Parts No.	Fig. No.	Ref. No.
114310-45360	6	12
114310-55230	8	13
114310-59060	8	26
114310-59061	8	26 -1
114310-59310	8	28
114310-59800	8	29
114311-61500	5	15
11431C-11100	2	8
11431C-11110	2	9
11431C-11250	2	14
11431C-11260	2	15
11431C-11650	2	17
11431C-11660	2	21
11431C-13550	3	19
11431C-13560	3	20
11431C-13700	3	21
11431C-13710	3	22
11431C-13720	3	23
11431C-21730	4	13
11431C-45100	6	17
11431C-45260	6	7
11431C-45270	6	8
11431C-45300	6	4
11431C-45310	6	5
11431C-55730	8	1
114320-11020	2	3
114320-12550	3	3
114320-13800	3	27 -1
114320-66010	5	47
114320-92600	10	16
11432C-45200	6	1
114339-51100	7	4
114339-53100	7	24
114339-53200	7	32
114339-55150	8	8
114339-59300	8	23
114339-59301	8	23 -1
114350-45340	6	6
114351-77520	9	37
114351-77700	9	41
114362-77011	9	1
114371-77160	9	7
114371-77170	9	13
114371-77180	9	14
114371-79040	9	8
114371-79050	9	9
114371-79060	9	10
114371-79070	9	17
114381-77110	9	2
114381-77130	9	5

Parts No.	Fig. No.	Ref. No.
114381-77140	9	6
114381-77151	9	12
114399-21980	10	34
114399-45320	6	9
114399-45340	6	10
114399-76540	6	28
114399-76620	6	31
114399-77410	9	29
114399-77560	9	28
114399-77720	9	30
114399-78000	9	31
114399-78280	9	21
114399-78770	9	22
114399-78780	9	23
114650-02100	1	30
114650-02150	1	40
114650-02200	1	45
114650-02210	1	46
114650-11340	2	25
	10	28
114650-32010	5	1
114650-51300	7	12
114650-66750	5	49
114695-01331	10	17
114695-01341	1	5
114699-01380	1	6
	10	23
114699-01410	1	26
	10	24
114699-01760	1	35
114699-11600	2	29
114699-12210	10	31
114699-13800	3	27
114699-21220	4	21
114699-21550	4	22
114699-21600	4	23
114699-21630	4	26
114699-22300	4	39
114699-45331	6	20
114699-59850	8	35
114699-76251	6	23
114699-76510	6	24
114699-76521	6	25
114699-76531	6	27
114699-76551	6	29
114699-76560	6	30
114699-76592	6	37
114699-76630	6	32
114699-76650	6	33
114699-76660	6	34

Parts No. Index

Parts No.	Fig. No.	Ref. No.
114699-76670	6	35
114699-76680	6	36
114770-61520	5	32
114770-61610	5	34
114771-11461	10	29
114780-59010	8	20
114780-59060	8	22
114780-61090	5	55
119810-23200	4	45
121750-59890	8	24
124060-23100	4	44
124066-59100	8	27
124195-77770	9	16
124298-77020	9	15
124550-51350	7	17
124722-59050	8	25
129100-77510	10	37
160393-55050	10	36
160710-78710	9	24
160842-21150	4	28
160842-21250	4	29
160842-21260	4	30
183250-66321	5	38
183250-66341	5	40
183250-66361	5	42
183250-66371	5	43
183671-13211	10	33
183720-55210	6	3
22117-080000	8	17
22190-160002	1	38
	10	38
22243-000150	2	16
22312-030160	2	43
	5	9
22312-040080	1	21
22322-030200	5	24
22351-020006	7	10
22351-025005	7	28
22351-030008	7	21
22351-040008	2	31
22451-060000	5	56
22512-050140	4	27
23080-007000	8	9
23080-014000	8	21
23414-080000	10	39
23414-120000	10	40
23875-020000	1	22
23876-010000	1	47
24101-063040	4	53
24162-152220	1	41

Parts No.	Fig. No.	Ref. No.
24311-000400	10	41
24341-000150	8	15
	10	42
24341-000224	5	13
	10	43
24423-355008	1	42
		43
26023-040102	9	32
26106-060082	6	14
		38
26106-060122	5	10
	6	39
	9	25
		33
26106-060142	5	45
26106-060162	5	14
		44
	8	12
26106-060202	5	46
	6	15
	9	26
		34
26106-060402	3	16
26106-060652	2	47
26106-080122	1	44
26106-080202	3	24
26106-080352	1	33
26106-080452	8	18
26106-080502	2	32
26106-100302	9	19
26216-080182	3	25
26226-060182	1	23
26226-060222	1	24
26226-060352	3	17
26226-060552	2	33
26366-060002	1	25
	2	34
	6	16
	8	19
26366-080002	3	26
26577-060142	9	27
26716-080002	9	20
26776-100002	5	54
26856-060002	2	20
		24
29220-083200	9	42
714210-61701	5	26
714310-22500	4	33
714310-22540	4	56
714310-22550	4	62

Parts No.	Fig. No.	Ref. No.
714310-28510	4	48
71431C-23010	4	41
714320-22580	4	60
714320-22620	4	54
714320-22720	4	31
71432C-14010	4	1
714339-51200	7	1
714339-53200	7	22
714650-23600	4	46
714650-23610	4	66
714650-23620	4	68
X2114274200	9	18
X2114715500	9	4
X2114811000	9	3
X211485016	9	11

Parts No.	Fig. No.	Ref. No.
-----------	----------	----------