

OCR10-M66300EN

Introduction

1. This parts catalog is a first edition of the L100N5EA1C1AA, L100N6CA1T1AA, L100N6DA1F1AA, L100N6AJ1R2AA, L100N6FJ1P1AA Diesel engine.

	Parts catalog No.	Date of issue	Remarks
First edition	000Y00R6630	July, 2006	

2. This parts catalog does not contain the technical data needed for maintenance service.

3. The illustrations used in this parts catalog have been simplified for clarity.

4. The essential points list.

Model	Column
L100N5EA1C1AA	A
L100N6CA1T1AA	B
L100N6DA1F1AA	C
L100N6AJ1R2AA	D
L100N6FJ1P1AA	E

5. The contents of this parts catalog are subject to change without notice.

6. Be sure to use only Yanmar genuine parts for repairs. If imitation parts are used, it may cause engine defects.

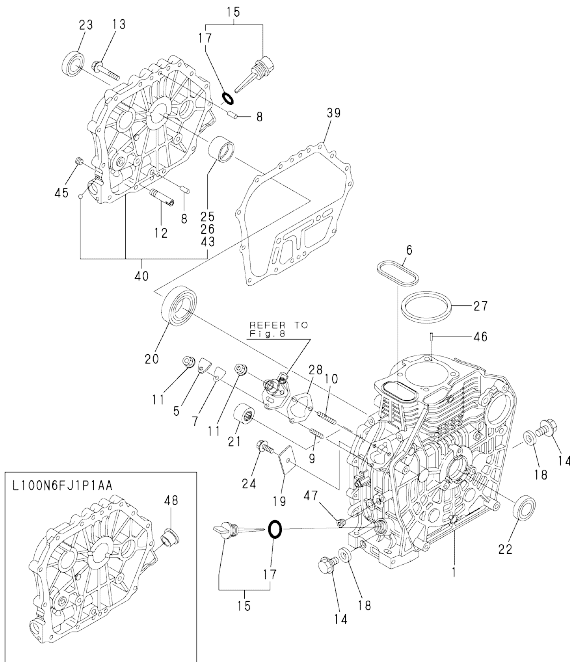
Contents

OCR10-M66300

Fig. No.	Fig. Name	Fig. No.	Fig. Name
L100N SERIES			
1.	CYLINDER BLOCK		
2.	CYLINDER HEAD & BONNET		
3.	AIR CLEANER & MUFFLER		
4.	CRANKSHAFT,PISTON & CAMSHAFT		
5.	LUB.OIL PUMP & GOVERNOR(1)		
6.	LUB.OIL PUMP & GOVERNOR(2)		
7.	COOLING & STARTING DEVICE		
8.	F.I.PUMP & F.I.VALVE		
12.	8A F.I.PUMP & F.I.VALVE		
9.	FUEL TANK & FUEL PIPE		
10.	STARTING MOTOR & DYNAMO		
11.	TOOL,LABEL & GASKET SET		

Fig.1. CYLINDER BLOCK

(A)=L100N5EA1C1AA
 (B)=L100N6CA1T1AA
 (C)=L100N6DA1F1AA
 (D)=L100N6AJ1R2AA
 (E)=L100N6FJ1P1AA
 (F)=



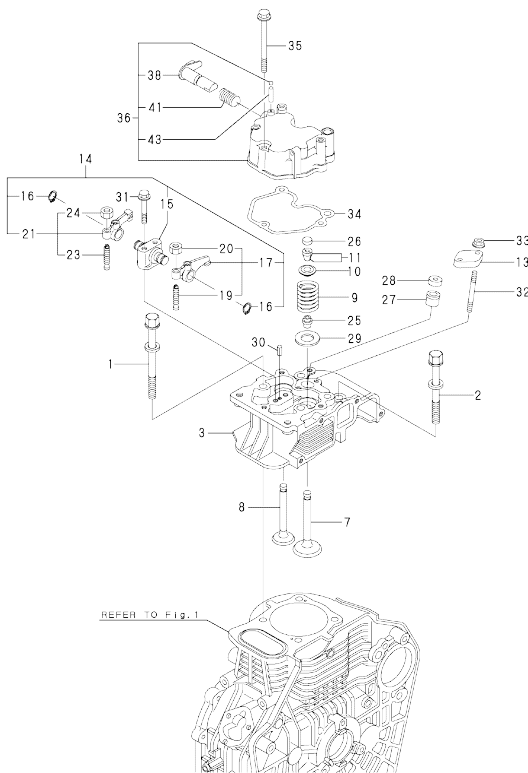
No.	Lev.	Parts No.	Description	Q'ty						I	R
				(A)	(B)	(C)	(D)	(E)	(F)		
1	1	114310-01020	BLOCK ASSY, CYLINDER	1	1	1	1	1	1		
5	1	114299-01830	COVER, PUMP	1	1	1	1	1	1		
6	1	114699-01380	O-RING, TAPPET	1	1	1	1	1	1		
7	1	114250-01841	GASKET, COVER	1	1	1	1	1	1		
8	1	114299-01600	PIN, PARALLEL 8X12	2	2	2	2	2	2		
9	1	26226-060182	STUD, M6X 18	1	1	1	1	1	1		
10	1	26226-060222	STUD, M6X 22	2	2	2	2	2	2		
11	1	26366-060002	NUT, M6	3	3	3	3	3	3		
12	1	114299-35150	PIPE, OIL INLET	1	1	1	1	1	1		
13	1	26106-080352	BOLT, M8X 35 PLATED	16	16	16	16	16	16		
14	1	114299-01690	PLUG, DRAIN 16	2	2	2	2	2	2		
15	1	114699-01760	CAP ASSY, OIL SUPPLY	2	2	2	2	2	1		
17	2	114299-01950	O-RING, 18	2	2	2	2	2	1		
18	1	22190-160002	WASHER, SEAL 16	2	2	2	2	2	2		
19	1	114299-02030	RETAINER, BEARING	1	1	1	1	1	1		
20	1	114650-02150	BEARING, HR6308G3C3	1	1	1	1	1	1		
21	1	24162-152220	BEARING, 152220	1	1	1	1	1	1		
22	1	24423-355008	SEAL, OIL TC355008	1	1	1	1	1	1		
23	1	24423-355008	SEAL, OIL TC355008	1	1	1	1	1	1		
24	1	26106-080122	BOLT, M8X 12 PLATED	1	1	1	1	1	1		
25	1	114650-02200	METAL, MAIN 0.25 US	1	1	1	1	1	1		2
26	1	114650-02210	METAL, MAIN 0.50 US	1	1	1	1	1	1		3
27	1	114695-01340	GASKET, HEAD T=0.5	1	1	1	1	1	1		
28	1	114299-01800	SHIM SET, PUMP	1	1	1	1	1	1		
39	1	114699-01410	GASKET, CASE COVER	1	1	1	1	1	1		
40	1	114310-01450	COVER, CRANK CASE D	1	1	1	1	1	1		
43	2	114650-02100	METAL, MAIN	1	1	1	1	1	1		1
45	1	23876-010000	PLUG, R01	1	1	1	1	1	1		
46	1	22312-040080	PIN, PARALLEL M4X 8	2	2	2	2	2	2		
47	1	23875-020000	PLUG, R02	1	1	1	1	1	1		
48	1	160110-01870	PLUG, RUBBER 22							1	
48-1	1	114940-01870	PLUG, RUBBER 22							1	N

(E=*2019.02)

Remarks
 (1)REPAIR PART.
 (2)UNDER SIZED(U.S.=0.25)PART.
 (3)UNDER SIZED(U.S.=0.50)PART.

Fig.2. CYLINDER HEAD & BONNET

(A)=L100N5EA1C1AA (D)=L100N6AJ1R2AA
 (B)=L100N6CA1T1AA (E)=L100N6FJ1P1AA
 (C)=L100N6DA1F1AA (F)=

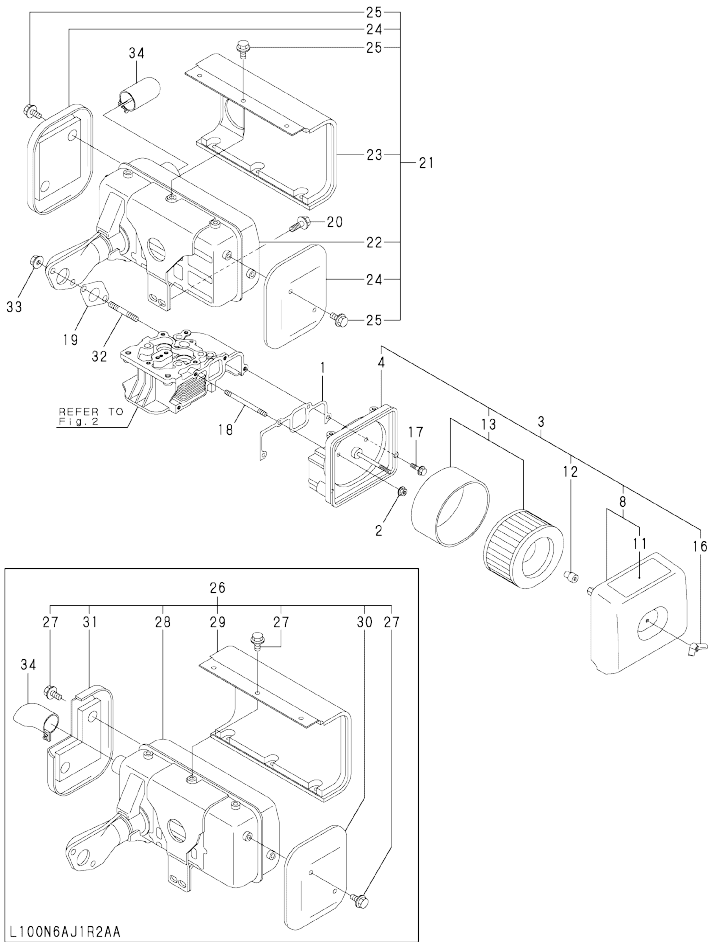


No.	Lev.	Parts No.	Description	Q'ty						I	R
				(A)	(B)	(C)	(D)	(E)	(F)		
1	1	114310-01200	BOLT, CYL HEAD A	2	2	2	2	2			
2	1	114310-01210	BOLT, CYL HEAD B	2	2	2	2	2			
3	1	114320-11020	HEAD ASSY, CYLINDER	1	1	1	1	1			
7	1	114310-11100	VALVE, INTAKE	1	1	1	1	1			
8	1	114310-11110	VALVE, EXHAUST	1	1	1	1	1			
9	1	114310-11120	SPRING, VALVE	2	2	2	2	2			
10	1	114310-11180	RETAINER, SPRING	2	2	2	2	2			
11	1	114310-11930	COTTER ASSY	2	2	2	2	2			
13	1	114210-11900	RETAINER, NOZZLE	1	1	1	1	1			
14	1	114310-11250	SUPPORT ASSY, ROCKER	1	1	1	1	1			
15	2	114310-11260	SUPPORT, ROCKER ARM	1	1	1	1	1			
16	2	114310-11280	C TYPE RETAINING RIN	2	2	2	2	2			
17	2	114310-11650	ARM ASSY, INTAKE	1	1	1	1	1			
19	3	114299-11240	SCREW, ADJUSTING	1	1	1	1	1			
20	3	26856-060002	NUT, M6	1	1	1	1	1			
21	2	114310-11660	ARM ASSY, EXHAUST	1	1	1	1	1			
23	3	114299-11240	SCREW, ADJUSTING	1	1	1	1	1			
24	3	26856-060002	NUT, M6	1	1	1	1	1			
25	1	114650-11340	SEAL, VALVE STEM	2	2	2	2	2			
26	1	104211-11370	CAP, VALVE	2	2	2	2	2			
27	1	114771-11461	GASKET, NOZZLE	1	1	1	1	1		S	
		(A=EZZZZZ) (B=EZZZZZ) (C=EZZZZZ) (D=EZZZZZ) (E=EZZZZZ)									
27-1	1	114240-11450	PROTECTOR, NOZZLE	1	1	1	1	1		W 1	
		(A=EZZZZZ) (B=EZZZZZ) (C=EZZZZZ) (D=EZZZZZ) (E=EZZZZZ)									
28	1	114295-11470	SPACER, NOZZLE	1	1	1	1	1		S	
		(A=EZZZZZ) (B=EZZZZZ) (C=EZZZZZ) (D=EZZZZZ) (E=EZZZZZ)									
28-1	1	114240-11550	SEAT, NOZZLE	1	1	1	1	1		W 1	
		(A=EZZZZZ) (B=EZZZZZ) (C=EZZZZZ) (D=EZZZZZ) (E=EZZZZZ)									
29	1	114699-11600	WASHER	2	2	2	2	2			
30	1	22351-040008	PIN, SPRING 4.0X 8	1	1	1	1	1			
31	1	26106-080502	BOLT, M8X 50 PLATED	2	2	2	2	2			
32	1	26226-060552	STUD, M6X 55	2	2	2	2	2			
33	1	26366-060002	NUT, M6	2	2	2	2	2			
34	1	114310-11310	GASKET, BONNET	1	1	1	1	1			
35	1	26106-060652	BOLT, M6X 65 PLATED	3	3	3	3	3			
36	1	114310-11950	BONNET ASSY, HEAD	1	1	1	1	1			
38	2	114210-03590	SHAFT ASSY, DECOMP.	1	1	1	1	1			
41	2	114299-03640	SPRING, DECOMPRESSION	1	1	1	1	1			
43	2	22312-030160	PIN, PARALLEL M3X16	1	1	1	1	1			

Remarks
 (1) Fig.2 Ref.27-1, Fig.2 Ref.28-1,
 Fig.9 Ref.24-1, Fig.9 Ref.25A,
 Fig.12 Ref.23,
 are interchangeable when replaced
 at the same time.

Fig.3. AIR CLEANER & MUFFLER

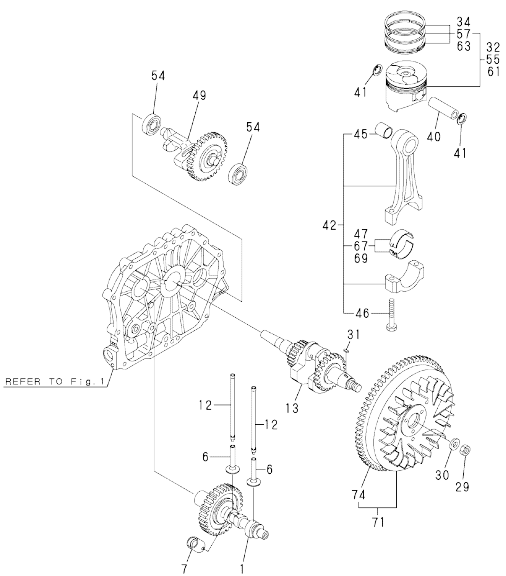
(A)=L100N5EA1C1AA (D)=L100N6AJ1R2AA
 (B)=L100N6CA1T1AA (E)=L100N6F1P1AA
 (C)=L100N6DA1F1AA (F)=



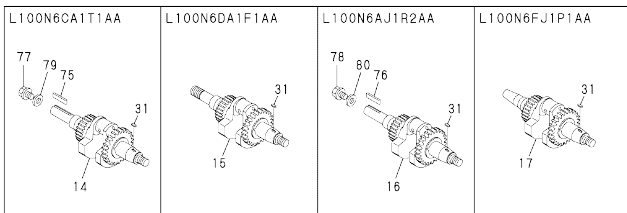
No.	Lev.	Parts No.	Description	Q'ty						I	R
				(A)	(B)	(C)	(D)	(E)	(F)		
1	1	114310-12210	GASKET, AIR CLEANER	1	1	1	1	1	1		
2	1	114299-12300	NUT	3	3	3	3	3	3		
3	1	114310-12511	AIR CLEANER ASSY	1	1	1	1	1	1		
4	2	114310-12010	BODY ASSY, AIR CLNR	1	1	1	1	1	1		
8	2	114210-12500	COVER ASSY, AIR CLNR	1	1	1	1	1	1		
11	3	114210-12610	LABEL, AIR CLEANER	1	1	1	1	1	1		
12	2	114210-12560	NUT, WING	1	1	1	1	1	1		
13	2	114210-12590	ELEMENT ASSY, AIR	1	1	1	1	1	1		
16	2	114210-12600	LOCKING KNOB	1	1	1	1	1	1		
17	1	26106-060402	BOLT, M6X 40 PLATED	1	1	1	1	1	1		
18	1	26226-060352	STUD, M6X 35	3	3	3	3	3	3		
19	1	114310-13200	GASKET, MUFFLER	1	1	1	1	1	1		
20	1	26106-080202	BOLT, M8X 20 PLATED	2	2	2	2	2	2		
21	1	114699-13552	MUFFLER ASSY	1	1	1	1	1	1		
22	2	114699-13562	MUFFLER	1	1	1	1	1	1		
23	2	114699-13700	COVER A, MUFFLER	1	1	1	1	1	1		
24	2	114699-13710	COVER	2	2	2	2	2	2		
25	2	114699-13720	BOLT, M6	10	10	10	10	10	10		
26	1	114674-13551	MUFFLER ASSY							1	
27	2	160260-01580	BOLT, FLANGE M6X6							10	
28	2	114674-13511	MUFFLER							1	
29	2	183382-13700	COVER							1	
30	2	114970-13710	COVER							1	
31	2	114973-13710	COVER							1	
32	1	26216-080182	STUD, M8X 18	2	2	2	2	2	2		
33	1	26366-080002	NUT, M8	2	2	2	2	2	2		
34	1	114699-13800	PIPE	1	1	1	1	1	1		
34-1	1	114320-13800	DEFLECTOR ASSY, EXH	1	1	1	1	1	1		N
		(A=ES00127)	(B=ES00117)	(C=ES23947)	(D=ES00138)	(E=ES00146)					

Fig.4. CRANKSHAFT,PISTON & CAMSHAFT

(A)=L100N5EA1C1AA (D)=L100N6AJ1R2AA
 (B)=L100N6CA1T1AA (E)=L100N6FJ1P1AA
 (C)=L100N6DA1F1AA (F)=



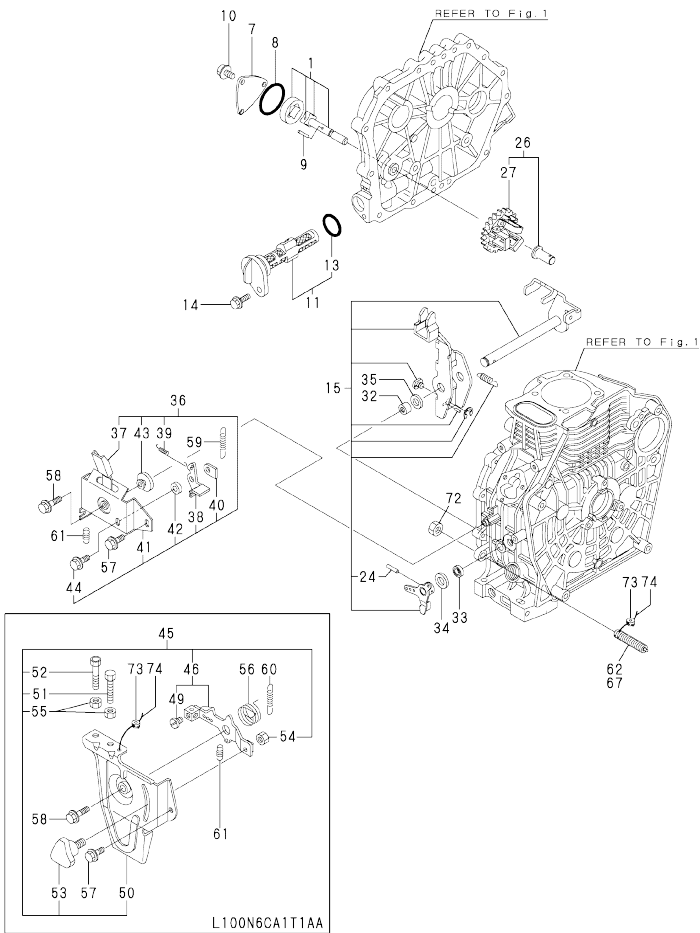
No.	Lev.	Parts No.	Description	Qty						I	R
				(A)	(B)	(C)	(D)	(E)	(F)		
1	1	714320-14580	CAMSHAFT ASSY	1	1	1	1	1	1		
6	1	114310-14200	TAPPET	2	2	2	2	2	2		
7	1	114210-14300	TAPPET ASSY,ROLLER	1	1	1	1	1	1		
12	1	114310-14400	ROD ASSY, PUSH	2	2	2	2	2	2		
13	1	714310-21710	CRANKSHAFT(E-DG ASSY	1							
14	1	714310-21700	CRANKSHAFT(E-D ASSY		1						
15	1	714310-21750	CRANKSHAFT(E-DP ASSY				1				
16	1	714310-21740	CRANKSHAFT(D ASSY					1			
17	1	714310-21760	CRANKSHAFT(E-DI ASSY							1	
29	1	114699-21220	NUT	1	1	1	1	1	1		
30	1	114699-21550	WASHER	1	1	1	1	1	1		
31	1	22512-050140	KEY, 5X 14	1	1	1	1	1	1		
32	1	714320-22720	PISTON W/RINGS (D	1	1	1	1	1	1		
34	2	714310-22500	RING SET, PISTON	1	1	1	1	1	1		
40	1	114699-22300	PIN, PISTON D=23	1	1	1	1	1	1		
41	1	129792-22400	CIRCLIP, 23	2	2	2	2	2	2		
42	1	714310-23701	ROD ASSY, CONNECTING	1	1	1	1	1	1		
45	2	124060-23100	BEARING, PISTON PIN	1	1	1	1	1	1		
46	2	119810-23200	BOLT, CONNECTING ROD	2	2	2	2	2	2		
47	2	714650-23600	BEARING, CRANK PIN	1	1	1	1	1	1		
49	1	714310-28510	SHAFT ASSY, BALANCER	1	1	1	1	1	1		
54	1	24101-063040	BEARING, BALL 6304C3	2	2	2	2	2	2		
55	1	714320-22620	PISTON W/RING OS= .25	1	1	1	1	1	1		1
57	2	714310-22540	RING SET O.S=.25	1	1	1	1	1	1		1
61	1	714320-22580	PISTON W/RING OS=0.5	1	1	1	1	1	1		2
63	2	714310-22550	RING SET O.S=0.50	1	1	1	1	1	1		2
67	1	714650-23610	BEARING ASSY, 0.25	1	1	1	1	1	1		3
69	1	714650-23620	BEARING, 0.50 US	1	1	1	1	1	1		4
71	1	114699-21590	FLYWHEEL ASSY	1	1	1	1	1	1		
74	2	114662-21601	GEAR, RING	1	1	1	1	1	1		
75	1	160842-21150	KEY, 6.3X50		1						
76	1	22512-070360	KEY, 7X 36						1		
77	1	160842-21250	BOLT, 7/16-20UNF		1						
78	1	26106-080202	BOLT, M8X 20 PLATED						1		
79	1	160842-21260	WASHER		1						
80	1	160310-14550	WASHER						1		



Remarks
 (1)OVER SIZED(O.S.=0.25)PART.
 (2)OVER SIZED(O.S.=0.50)PART.
 (3)UNDER SIZED(U.S.=0.25)PART.
 (4)UNDER SIZED(U.S.=0.50)PART.

Fig.5. LUB.OIL PUMP & GOVERNOR(1)

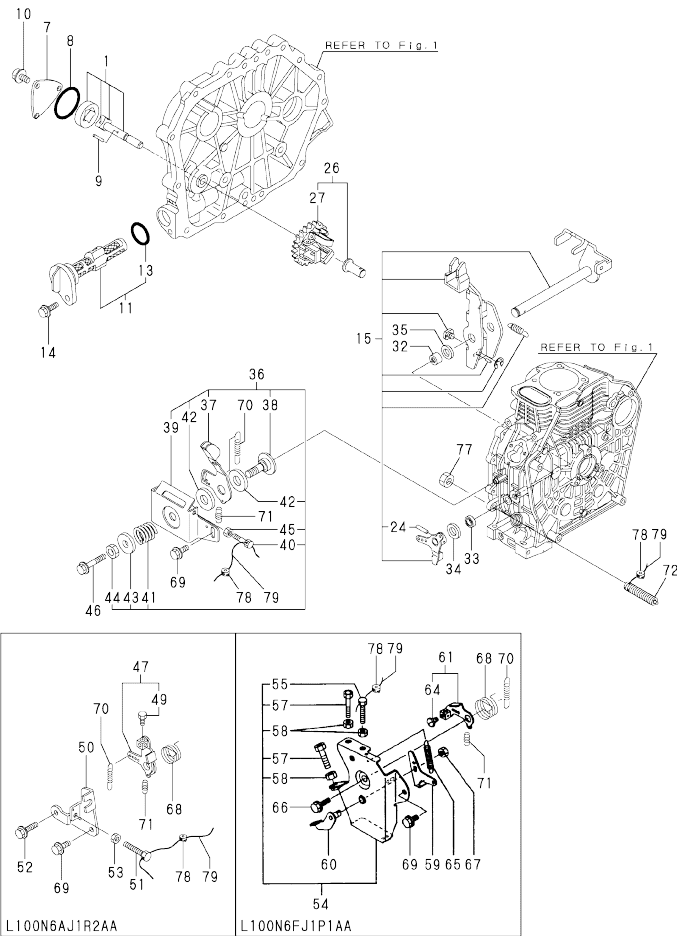
(A)=L100N5EA1C1AA (D)=L100N6AJ1R2AA
 (B)=L100N6CA1T1AA (E)=L100N6FJ1P1AA
 (C)=L100N6DA1F1AA (F)=



No.	Lev.	Parts No.	Description	Qty						I	R
				(A)	(B)	(C)	(D)	(E)	(F)		
1	1	114650-32010	PUMP ASSY, OIL	1	1						
7	1	114299-32070	COVER	1	1						
8	1	114299-32570	O-RING	1	1						
9	1	22312-030160	PIN, PARALLEL M3X16	1	1						
10	1	26106-060122	BOLT, M6X 12 PLATED	3	3						
11	1	114299-35110	FILTER ASSY, OIL	1	1						
13	2	24341-000224	O-RING, 1AS22.4	1	1						
14	1	26106-060162	BOLT, M6X 16 PLATED	1	1						
15	1	114311-61500	LEVER ASSY, GOVERNOR	1	1						
24	2	22322-030200	PIN, TAPER 3X20	1	1						
26	1	714210-61700	GOVERNOR ASSY	1	1						
27	2	114210-61290	WEIGHT ASSY,GOVERNOR	1	1						
32	1	114295-61520	NEEDLE BEARING	2	2						
33	1	114299-61600	SEAL, OIL	1	1						
34	1	114770-61610	WASHER, THRUST	1	1						
35	1	114299-61190	WASHER	1	1						
36	1	114210-66510	BRACKET, REGULATOR	1	1						
37	2	114210-66300	HANDLE	1	1						
38	2	183250-66321	LEVER, LOCK	1	1						
39	2	183250-66331	SPRING, LEVER	1	1						
40	2	183250-66341	NUT, DETENT	1	1						
41	2	114210-66350	BRACKET	1	1						
42	2	183250-66361	COLLAR	1	1						
43	2	183250-66371	COLLAR	1	1						
44	2	26106-060162	BOLT, M6X 16 PLATED	1	1						
45	1	714210-66100	SPEED CTRL, THAI		1						
46	2	114210-66060	HANDLE ASSY,REGLATR.		1						
49	3	26117-050089	BOLT, M5X 8 PLATED		1						
50	2	114210-66100	BRACKET, REGULATOR		1						
51	2	114299-66440	BOLT, ADJUSTING		1						
52	2	114299-67080	BOLT, ADJUSTING		1						
53	2	160725-78350	KNOB, BOLT M6X15		1						
54	2	26347-060002	NUT, M6		1						
55	2	26757-060002	NUT, LOCK M6		2						
56	1	114299-66250	SPRING, RETURN		1						
57	1	26106-060142	BOLT, M6X 14 PLATED		1						
58	1	26106-060202	BOLT, M6X 20 PLATED		1						
59	1	114320-66020	SPRING, REGULATOR		1						
60	1	114320-66010	SPRING, REGULATOR		1						
61	1	114299-66200	SPRING, RETURN		1						
62	1	114211-66600	LIMITER ASSY, FUEL		1						
67	1	114320-66600	LIMITER ASSY, FUEL		1						
72	1	26776-100002	NUT, LOCK M10		1						
73	1	114780-61090	TIN		1						
74	1	22451-060000	WIRE, 0.6		1						

Fig.6. LUB.OIL PUMP & GOVERNOR(2)

(A)=L100N5EA1C1AA (D)=L100N6AJ1R2AA
 (B)=L100N6CA1T1AA (E)=L100N6FJ1P1AA
 (C)=L100N6DA1F1AA (F)=

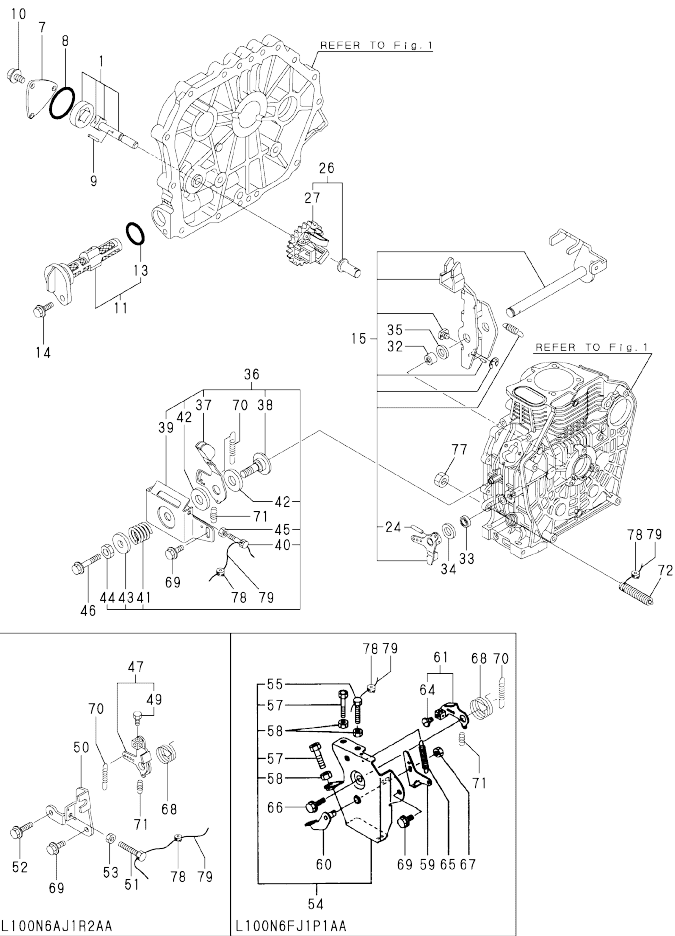


No.	Lev.	Parts No.	Description	Q'ty						I	R
				(A)	(B)	(C)	(D)	(E)	(F)		
1	1	114650-32010	PUMP ASSY, OIL		1	1	1				
7	1	114299-32070	COVER		1	1	1				
8	1	114299-32570	O-RING		1	1	1				
9	1	22312-030160	PIN, PARALLEL M3X16		1	1	1				
10	1	26106-060122	BOLT, M6X 12 PLATED		3	3	3				
11	1	114299-35110	FILTER ASSY, OIL		1	1	1				
13	2	24341-000224	O-RING, 1AS22.4		1	1	1				
14	1	26106-060162	BOLT, M6X 16 PLATED		1	1	1				
15	1	114311-61500	LEVER ASSY, GOVERNOR		1	1	1				
24	2	22322-030200	PIN, TAPER 3X20		1	1	1				
26	1	714210-61700	GOVERNOR ASSY		1	1	1				
27	2	114210-61290	WEIGHT ASSY, GOVERNOR		1	1	1				
32	1	114295-61520	NEEDLE BEARING		2	2	2				
33	1	114299-61600	SEAL, OIL		1	1	1				
34	1	114770-61610	WASHER, THRUST		1	1	1				
35	1	114299-61190	WASHER		1	1	1				
36	1	114210-66550	BRACKET ASSY		1	1	1				
37	2	114210-66070	HANDLE, REGULATOR		1	1	1				
38	2	183250-66070	SHAFT, HANDLE		1	1	1				
39	2	114210-66400	BRACKET, HANDLE		1	1	1				
40	2	114250-66440	BOLT, ADJUST		1	1	1				
41	2	104200-66820	SPRING		1	1	1				
42	2	104200-66831	PLATE, FRICTION		2	2	2				
43	2	104200-66850	WASHER		1	1	1				
44	2	26696-100002	NUT, LOCK M10		1	1	1				
45	2	26757-060002	NUT, LOCK M6		1	1	1				
46	1	26106-060452	BOLT, M6X 45 PLATED		1	1	1				
47	1	114252-66051	HANDLE, REGULATOR				1				
49	2	105225-66990	SCREW, M5X8.5				1				
50	1	183360-66110	BRACKET				1				
51	1	114299-66440	BOLT, ADJUSTING				1				
52	1	26106-060202	BOLT, M6X 20 PLATED				1				
53	1	26757-060002	NUT, LOCK M6				1				
54	1	714299-66900	SPEED CONTROL TP 01							1	
55	2	114299-66440	BOLT, ADJUSTING				1				
57	2	114299-67080	BOLT, ADJUSTING							2	
58	2	26757-060002	NUT, LOCK M6							3	
59	1	114299-66920	LEVER, STOP				1				
60	1	114299-66931	LEVER, STOP				1				
61	1	114299-66940	LEVER ASSY,REGULATOR				1				
64	2	26117-050089	BOLT, M5X 8 PLATED				1				
65	1	114299-66960	SPRING				1				
66	1	26106-060302	BOLT, M6X 30 PLATED				1				
67	1	26757-080002	NUT, LOCK M8				1				
68	1	114299-66250	SPRING, RETURN							1	
69	1	26106-060142	BOLT, M6X 14 PLATED				1			1	
70	1	114320-66010	SPRING, REGULATOR				1			1	
71	1	114299-66200	SPRING, RETURN				1			1	
72	1	114320-66600	LIMITER ASSY, FUEL				1			1	
77	1	26776-100002	NUT, LOCK M10				1			1	
78	1	114780-61090	TIN				2			2	

N:Old $\frac{New}{Old}$ New, Q:Old $\frac{New}{Old}$ New, R:Old $\frac{New}{Old}$ New, S:Old $\frac{New}{Old}$ New, W:Add, Z:Discontinued, F:Interchangeable by set, K:Q'ty Change
 ++ CONTINUE ++
 Copyright (C) YANMAR CO., LTD. All Rights Reserved.

Fig.6. LUB.OIL PUMP & GOVERNOR(2)

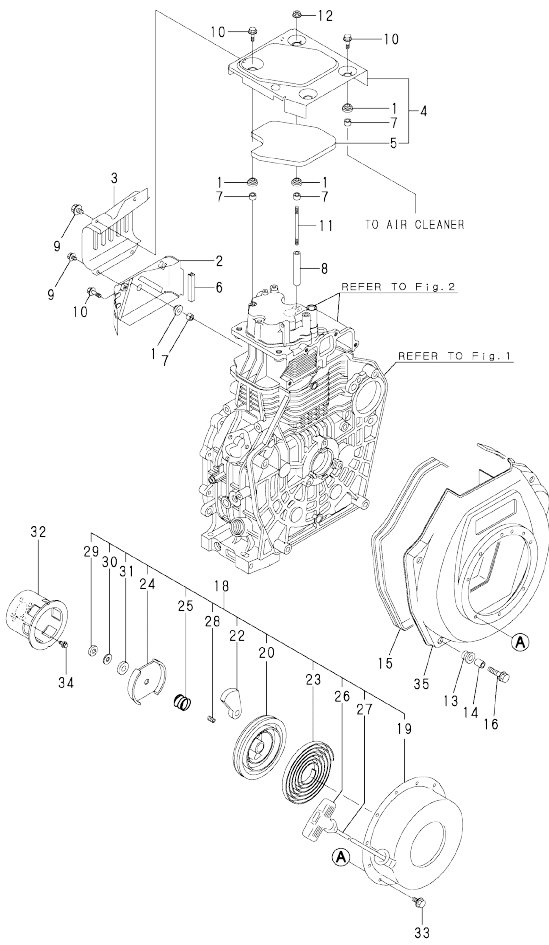
(A)=L100N5EA1C1AA
 (B)=L100N6CA1T1AA
 (C)=L100N6DA1F1AA
 (D)=L100N6AJ1R2AA
 (E)=L100N6FJ1P1AA
 (F)=



No.	Lev.	Parts No.	Description	Q'ty						I	R
				(A)	(B)	(C)	(D)	(E)	(F)		
79	1	22451-060000	WIRE, 0.6			2	2	2			

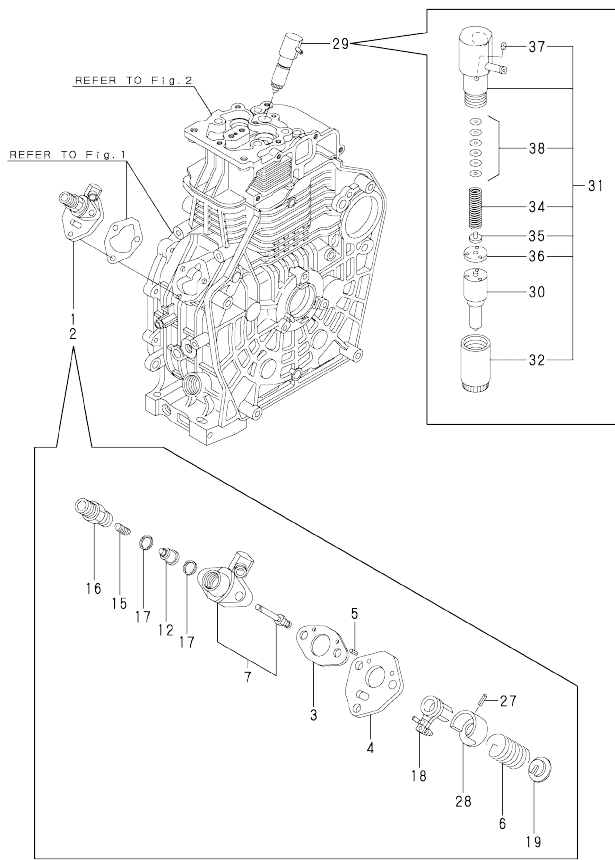
Fig.7. COOLING & STARTING DEVICE

(A)=L100N5EA1C1AA
 (B)=L100N6CA1T1AA
 (C)=L100N6DA1F1AA
 (D)=L100N6AJ1R2AA
 (E)=L100N6FJ1P1AA
 (F)=



No.	Lev.	Parts No.	Description	Q'ty						I	R
				(A)	(B)	(C)	(D)	(E)	(F)		
1	1	114299-45220	GROMMET	5	5	5	5	5			
2	1	114310-45260	COVER B, SIDE (13)	1	1	1	1	1			
3	1	114310-45270	COVER A, SIDE (13)	1	1	1	1	1			
4	1	114310-45300	COVER, TOP(BLACK)(13)	1	1	1	1	1			
5	2	114310-45310	DAMPER	1	1	1	1	1			
6	1	114399-45320	RUBBER, SEAL	1	1	1	1	1			
7	1	114399-45340	COLLAR	5	5	5	5	5			
8	1	114310-45350	SPACER, TOP COVER	1	1	1	1	1			
9	1	26106-060082	BOLT, M6X 8 PLATED	4	4	4	4	4			
10	1	26106-060202	BOLT, M6X 20 PLATED	4	4	4	4	4			
11	1	114310-45360	STUD BOLT, TOP COVER	1	1	1	1	1			
12	1	26366-060002	NUT, M6	1	1	1	1	1			
13	1	114299-45301	RUBBER, CUSHION	4	4	4	4	4			
14	1	114299-45310	COLLAR	4	4	4	4	4			
15	1	114699-45330	SEAL, FAN CASE	1	1	1	1	1			
16	1	114299-45350	BOLT, FAN CASE	4	4	4	4	4			
18	1	114699-76251	RECOIL ASSY	1	1	1	1	1			
19	2	114699-76510	CASE, STARTER	1	1	1	1	1			
20	2	114699-76521	REEL, RECOIL	1	1	1	1	1			
22	2	114699-76531	RATCHET	2	2	2	2	2			
23	2	114399-76540	SPRING, SPIRAL	1	1	1	1	1			
24	2	114699-76551	GUIDE, RATCHET	1	1	1	1	1			
25	2	114699-76560	SPRING, FRICTION	1	1	1	1	1			
26	2	114399-76620	KNOB, STARTER	1	1	1	1	1			
27	2	114699-76630	ROPE, STARTER	1	1	1	1	1			
28	2	114699-76650	SPRING, RETURN	1	1	1	1	1			
29	2	114699-76660	CIRCLIP	1	1	1	1	1			
30	2	114699-76670	WASHER	1	1	1	1	1			
31	2	114699-76680	WASHER	1	1	1	1	1			
32	1	114699-76592	PULLEY, STARTER	1	1	1	1	1			
33	1	26106-060082	BOLT, M6X 8 PLATED	4	4	4	4	4			
34	1	26106-060122	BOLT, M6X 12 PLATED	3	3	3	3	3			
35	1	114310-45100	FAN CASE(SILVER)(17)	1	1	1	1	1			

Fig.8. F.I.PUMP & F.I.VALVE



(A)=L100N5EA1C1AA
 (B)=L100N6CA1T1AA
 (C)=L100N6DA1F1AA
 (D)=L100N6AJ1R2AA
 (E)=L100N6FJ1P1AA
 (F)=

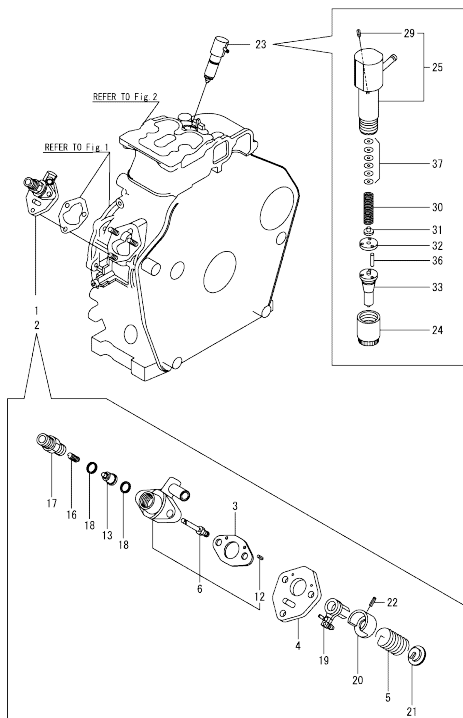
No.	Lev.	Parts No.	Description	Q'ty						I	R
				(A)	(B)	(C)	(D)	(E)	(F)		
1	1	714320-51130	PUMP ASSY, F.INJECT.	1							1
2	1	714320-51100	PUMP ASSY, F.INJECT.		1	1	1	1	1		2
3	2	114299-51020	GASKET, PUMP BODY	1	1	1	1	1	1		
4	2	114299-51080	PLATE	1	1	1	1	1	1		
5	2	114299-51090	PIN, 2.0A X 6	2	2	2	2	2	2		
6	2	114299-51160	SPRING, PLUNGER	1	1	1	1	1	1		
7	2	114320-51200	BODY ASSY, PUMP	1	1	1	1	1	1		
12	2	114699-51300	VALVE ASSY, DELIVERY	1	1	1	1	1	1		
15	2	114299-51330	SPRING, VALVE	1	1	1	1	1	1		
16	2	114299-51340	HOLDER, DELIVERY	1	1	1	1	1	1		
17	2	114299-51350	PACKING, DELIVERY	2	2	2	2	2	2		
18	2	114299-51600	LEVER, CONTROL	1	1	1	1	1	1		
19	2	114299-51620	SEAT ASSY (B, SPRING	1	1	1	1	1	1		
27	2	114299-51630	PIN, 2.5A X 8	1	1	1	1	1	1		
28	2	114299-51640	SEAT, SPRING	1	1	1	1	1	1		
29	1	714320-53100	FUEL INJECTOR	1	1	1	1	1	1		3
30	2	114320-53000	NOZZLE ASSY	1	1	1	1	1	1		
31	2	114210-53100	HOLDER ASSY,NOZZLE	1	1	1	1	1	1		
32	3	114210-53080	NUT,NOZZLE	1	1	1	1	1	1		
34	3	114210-53120	SPRING,NOZZLE	1	1	1	1	1	1		
35	3	114210-53130	SEAT,SPRING	1	1	1	1	1	1		
36	3	114210-53140	SPACER ASSY,VALVE	1	1	1	1	1	1		
37	3	114210-53330	PIN	1	1	1	1	1	1		
38	3	114210-53400	SHIM SET	1	1	1	1	1	1		

Remarks

- (1)New type is in Fig12 Ref.1
- (2)New type is in Fig12 Ref.2
- (3)New type is in Fig12 Ref.24

Fig.12. 8A F.I.PUMP & F.I.VALVE

(A)=L100N5EA1C1AA (D)=L100N6AJ1R2AA
 (B)=L100N6CA1T1AA (E)=L100N6F1P1AA
 (C)=L100N6DA1F1AA (F)=



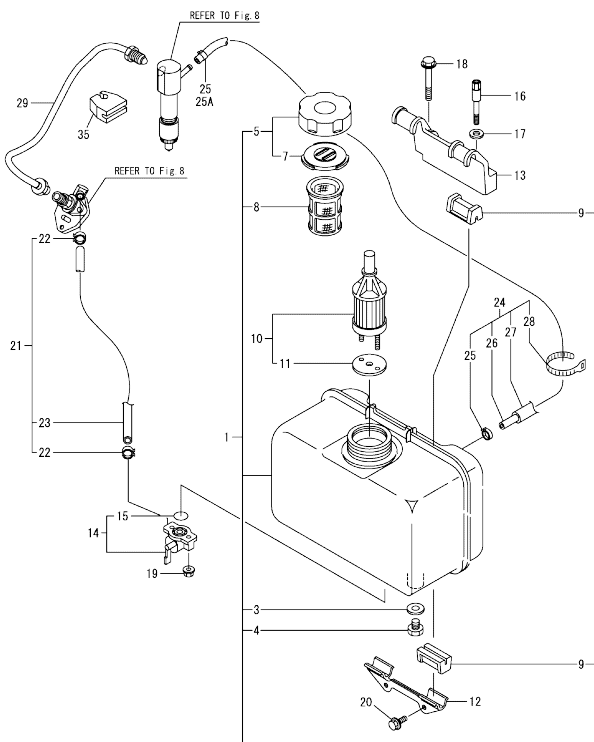
No.	Lev.	Parts No.	Description	Qty						I	R	
				(A)	(B)	(C)	(D)	(E)	(F)			
1	1	714339-51210	F.I.PUMP ASSY	1							N	1
		(A=EZZZZZ)	(B=EZZZZZ)	(C=EZZZZZ)	(D=EZZZZZ)	(E=EZZZZZ)						
2	1	714339-51200	FOP ASSY	1	1	1	1	1			N	2
		(B=EZZZZZ)	(C=EZZZZZ)	(D=EZZZZZ)	(E=EZZZZZ)							
3	2	105546-51020	GASKET	1	1	1	1	1				
4	2	114250-51080	PLATE	1	1	1	1	1				
5	2	114250-51160	SPRING, PLUNGER	1	1	1	1	1				
6	2	114350-51100	BODY ASSY, PUMP	1	1	1	1	1				
12	4	22351-020006	PIN, SPRING 2.0X 6	2	2	2	2	2				
13	2	114650-51300	VALVE ASSY, DELIVERY	1	1	1	1	1				
16	2	105546-51330	SPRING, DELIVERY	1	1	1	1	1				
17	2	114250-51340	HOLDER, DELIVERY	1	1	1	1	1				
18	2	124550-51350	GASKET, DELIVERY	2	2	2	2	2				
19	2	114250-51600	LEVER, CONTROL	1	1	1	1	1				
20	2	114250-51640	SEAT, SPRING	1	1	1	1	1				
21	2	114250-51650	SEAT, SPRING	1	1	1	1	1				
22	2	22351-030008	PIN, SPRING 3.0X 8	1	1	1	1	1				
23	1	714339-53200	FUEL INJECTOR ASSY	1	1	1	1	1			F	3
		(A=EZZZZZ)	(B=EZZZZZ)	(C=EZZZZZ)	(D=EZZZZZ)	(E=EZZZZZ)						
24	2	114250-53080	NUT, NOZZLE	1	1	1	1	1				
25	2	114139-53100	HOLDER ASSY, NOZZLE	1	1	1	1	1				
29	3	22351-025005	PIN, SPRING 2.5X 6	1	1	1	1	1				
30	2	114250-53120	SPRING, NOZZLE	1	1	1	1	1				
31	2	114250-53130	SEAT, SPRING	1	1	1	1	1				
32	2	114250-53140	SPACER	1	1	1	1	1				
33	2	114139-53200	NOZZLE ASSY	1	1	1	1	1				
36	2	114250-53210	PIN	2	2	2	2	2				
37	2	114250-53400	SHIM SET	1	1	1	1	1				

Remarks

- (1) Interchangeability with Fig.3 Ref.1
- (2) Interchangeability with Fig.8 Ref.2
- (3) Fig.2 Ref.27-1, Fig.2 Ref.28-1, Fig.9 Ref.22-1, Fig.9 Ref.25A, Fig.12 23, are interchangeable when replaced at the same time.

Fig.9. FUEL TANK & FUEL PIPE

(A)=L100N5EA1C1AA (D)=L100N6AJ1R2AA
 (B)=L100N6CA1T1AA (E)=L100N6F1P1AA
 (C)=L100N6DA1F1AA (F)=

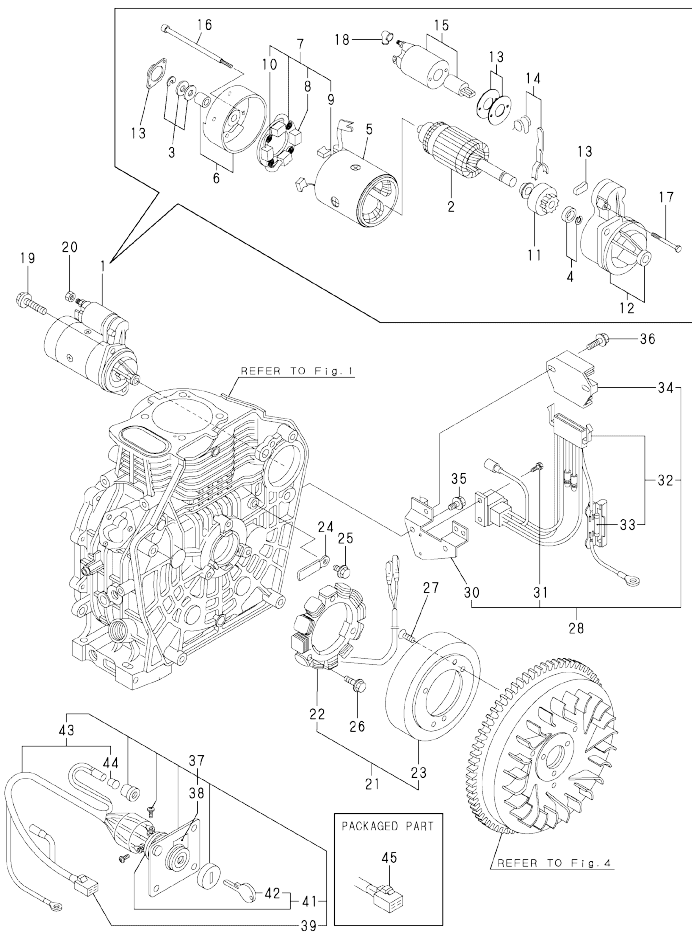


No.	Lev.	Parts No.	Description	Qty						I	R
				(A)	(B)	(C)	(D)	(E)	(F)		
1	1	714310-55700	TANK ASSY, FUEL	1	1	1	1	1	1		
3	3	23414-080000	GASKET, 8X1.0	1	1	1	1	1	1		
4	3	114299-55080	PLUG, DRAIN	1	1	1	1	1	1		
5	2	114288-55041	CAP ASSY, FUEL TANK	1	1	1	1	1	1		
7	3	114288-55081	VALVE	1	1	1	1	1	1		
8	2	114299-55100	ELEMENT, FUEL FILTER	1	1	1	1	1	1		
9	2	114250-55201	DAMPER, FUEL TANK	4	4	4	4	4	4		
10	1	114250-55121	FILTER ASSY, FUEL	1	1	1	1	1	1		
11	2	114250-55130	GASKET	1	1	1	1	1	1		
12	1	114210-55210	STAY, FUEL TANK A	1	1	1	1	1	1		
13	1	114310-55230	STAY, FUEL TANK B	1	1	1	1	1	1		
14	1	114250-55301	COCK ASSY, FUEL	1	1	1	1	1	1		
15	2	24341-000150	O-RING, 1AS15.0	1	1	1	1	1	1		
16	1	114210-55810	BOLT, LIFTING	1	1	1	1	1	1		
17	1	22117-080000	WASHER, 8	1	1	1	1	1	1		
18	1	26106-080452	BOLT, M8X 45 PLATED	1	1	1	1	1	1		
19	1	26366-060002	NUT, M6	2	2	2	2	2	2		
20	1	26106-060162	BOLT, M6X 16 PLATED	2	2	2	2	2	2		
21	1	114770-59030	PIPE ASSY, FUEL	1	1	1	1	1	1		
21-1	1	114780-59010	PIPE ASSY, FUEL L50	1	1	1	1	1	1		N
		(A=*2007.07) (B=*2007.07) (C=*2007.07) (D=*2007.07) (E=*2007.07)									
22	2	114270-59010	CLAMP, HOSE 12	2	2	2	2	2	2		
22-1	2	23080-014000	CLAMP, 14	2	2	2	2	2	2		N
		(A=*2007.07) (B=*2007.07) (C=*2007.07) (D=*2007.07) (E=*2007.07)									
23	2	114268-59061	PIPE, FUEL L=50	1	1	1	1	1	1		
23-1	2	114780-59060	PIPE, FUEL L=50	1	1	1	1	1	1		N
		(A=*2007.07) (B=*2007.07) (C=*2007.07) (D=*2007.07) (E=*2007.07)									
24	1	114310-59300	PIPE ASSY, RETURN	1	1	1	1	1	1		S
		(A=*2008.09) (B=*2008.09) (C=*2008.09) (D=*2008.09) (E=*2008.09)									
24-1	1	114339-59300	PIPE ASSY, RETURN	1	1	1	1	1	1		W 1
		(A=*2008.09) (B=*2008.09) (C=*2008.09) (D=*2008.09) (E=*2008.09)									
24-2	1	114339-59301	PIPE ASSY, FO RETURN	1	1	1	1	1	1		N
		(A=*2019.03) (B=*2019.03) (C=*2019.03) (D=*2019.03) (E=*2019.03)									
25	2	124722-59050	CLAMP, HOSE 9	2	2	2	2	2	2		
25-1	2	124722-59050	CLAMP, HOSE 9	1	1	1	1	1	1		K
		(A=*2008.09) (B=*2008.09) (C=*2008.09) (D=*2008.09) (E=*2008.09)									
25A	2	124066-59100	CLAMP, HOSE 8	1	1	1	1	1	1		W 1
		(A=*2008.09) (B=*2008.09) (C=*2008.09) (D=*2008.09) (E=*2008.09)									
26	2	114310-59060	PIPE, FUEL RETURN	1	1	1	1	1	1		
26-1	2	114310-59061	PIPE, FO RETURN	1	1	1	1	1	1		N
		(A=*2019.03) (B=*2019.03) (C=*2019.03) (D=*2019.03) (E=*2019.03)									
27	2	114310-59310	HOSE, PROTECTION	1	1	1	1	1	1		
28	2	121750-59890	BAND, NYLON	1	1	1	1	1	1		
29	1	114310-59800	PIPE ASSY, INJECTION	1	1	1	1	1	1		
35	1	114699-59850	SUPPORT, PIPE	1	1	1	1	1	1		

Remarks
 (1) Fig.2 Ref.27-1, Fig.2 Ref.28-1,
 Fig.9 Ref.24-1, Fig.9 Ref.25A,
 Fig.12 Ref.23,
 are interchangeable when replaced
 at the same time.

Fig.10. STARTING MOTOR & DYNAMO

(A)=L100N5EA1C1AA
 (B)=L100N6CA1T1AA
 (C)=L100N6DA1F1AA
 (D)=L100N6AJ1R2AA
 (E)=L100N6FJ1P1AA
 (F)=

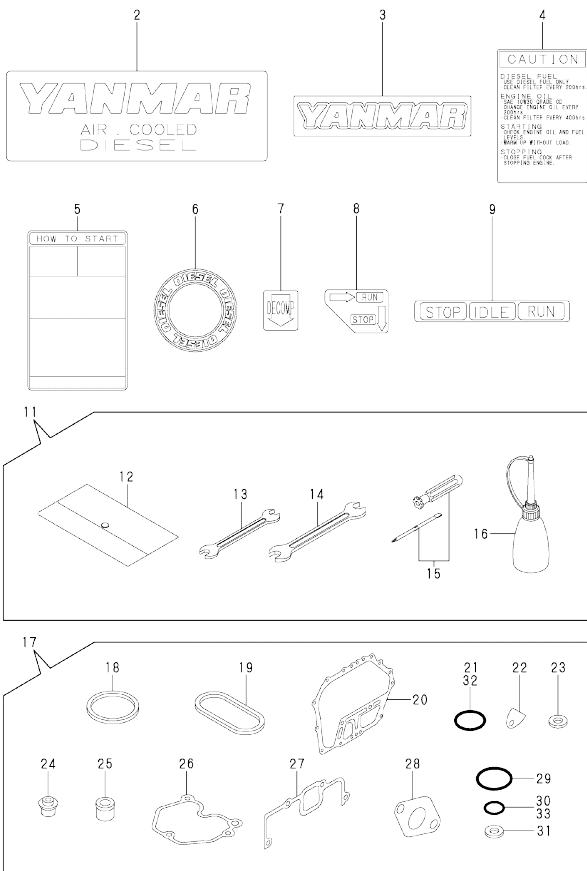


No.	Lev.	Parts No.	Description	Q'ty						I	R
				(A)	(B)	(C)	(D)	(E)	(F)		
1	1	114362-77011	STARTER ASSY	1	1	1	1	1	1		
2	2	114381-77110	ARMATURE	1	1	1	1	1	1		
3	2	X2114811000	WASHER KIT, THRUST	1	1	1	1	1	1		
4	2	X2114715500	STOPPER SET, PINION	1	1	1	1	1	1		
5	2	114381-77130	COIL ASSY, FIELD	1	1	1	1	1	1		
6	2	114381-77140	COVER	1	1	1	1	1	1		
7	2	114371-77160	HOLDER ASSY, BRUSH	1	1	1	1	1	1		
8	3	114371-79040	BRUSH	2	2	2	2	2	2		
9	3	114371-79050	BRUSH	1	1	1	1	1	1		
10	3	114371-79060	SPRING, BRUSH	4	4	4	4	4	4		
11	2	X211485016	PINION ASSY	1	1	1	1	1	1		
12	2	114381-77151	CASE ASSY	1	1	1	1	1	1		
13	2	114371-77170	COVER KIT, DUST	1	1	1	1	1	1		
14	2	114371-77180	LEVER KIT, SHIFT	1	1	1	1	1	1		
15	2	124298-77020	SWITCH, MAGNET	1	1	1	1	1	1		
16	2	124195-77770	BOLT, THROUGH	2	2	2	2	2	2		
17	2	114371-79070	BOLT	2	2	2	2	2	2		
18	2	X2114274200	COVER, TERMINAL	1	1	1	1	1	1		
19	1	26106-100302	BOLT, M10X 30 PLATED	2	2	2	2	2	2		
20	1	26716-080002	NUT, M8	1	1	1	1	1	1		
21	1	114399-78260	DYNAMO ASSY	1	1	1	1	1	1		
22	2	114399-78730	STATOR ASSY	1	1	1	1	1	1		
23	2	114399-78740	WHEEL, DYNAMO	1	1	1	1	1	1		
24	1	160710-78710	CLAMP, CORD	1	1	1	1	1	1		
25	1	26106-060122	BOLT, M6X 12 PLATED	1	1	1	1	1	1		
26	1	26106-060202	BOLT, M6X 20 PLATED	3	3	3	3	3	3		
27	1	26577-060142	SCREW M 6X 14	3	3	3	3	3	3		
28	1	114399-77550	REG. & HARNESS ASSY	1	1	1	1	1	1		
30	3	114399-77400	BRACKET, HARNESS	1	1	1	1	1	1		
31	3	26023-040102	SCREW, M4X10	2	2	2	2	2	2		
32	3	114399-77540	HARNESS, WIRE	1	1	1	1	1	1		
33	4	114399-78000	FUSE(20A	2	2	2	2	2	2		
34	2	114399-77710	REGULATOR	1	1	1	1	1	1		
35	1	26106-060122	BOLT, M6X 12 PLATED	2	2	2	2	2	2		
36	1	26106-060202	BOLT, M6X 20 PLATED	2	2	2	2	2	2		
37	1	114351-77500	PANEL ASSY	1	1	1	1	1	1		
38	2	105198-07120	LABEL, STARTER	1	1	1	1	1	1		
39	2	114351-77520	COUPLER	1	1	1	1	1	1		
41	2	106100-77620	SWITCH, KEY	1	1	1	1	1	1		
42	3	106100-77630	KEY, SWITCH	1	1	1	1	1	1		
43	2	114351-77700	HARNESS, WIRE	1	1	1	1	1	1		
44	3	29220-083200	BULB (12V/3.4W)	1	1	1	1	1	1		
45	1	114351-77520	COUPLER							1	1

N:Old $\frac{New}{Old}$ New, Q:Old $\frac{New}{Old}$ New, R:Old $\frac{New}{Old}$ New, S:Old $\frac{New}{Old}$ New, W:Add, Z:Discontinued, F:Interchangeable by set, K:Q'ty Change
 Copyright (C) YANMAR CO., LTD. All Rights Reserved.

Fig.11. TOOL, LABEL & GASKET SET

(A)=L100N5EA1C1AA
 (B)=L100N6CA1T1AA
 (C)=L100N6DA1F1AA
 (D)=L100N6AJ1R2AA
 (E)=L100N6F1P1AA
 (F)=



No.	Lev.	Parts No.	Description	Qty						I	R
				(A)	(B)	(C)	(D)	(E)	(F)		
2	1	114299-07100	LABEL, AIR COOLED	1	1	1	1	1	1		
3	1	114299-07110	LABEL, YANMAR	1	1	1	1	1	1		
4	1	114210-07120	LABEL, CAUTION	1	1	1	1	1	1		
5	1	114210-07130	LABEL HOW TO START-E	1	1	1	1	1	1		
6	1	114299-07160	LABEL, DIESEL	1	1	1	1	1	1		
7	1	114210-07200	LABEL, DECOMPRESSION	1	1	1	1	1	1		
8	1	183250-07480	LABEL, RUN-STOP	1							
9	1	183250-07230	LABEL, OPERATION			1					
11	1	114299-92590	BOX, TOOL	1	1	1	1	1	1		
12	2	114299-92600	BAG, TOOL	1	1	1	1	1	1		
13	2	114299-92710	WRENCH	1	1	1	1	1	1		
14	2	114299-92720	WRENCH	1	1	1	1	1	1		
15	2	114299-92730	DRIVER	1	1	1	1	1	1		
16	2	114299-92740	DIPSTICK	1	1	1	1	1	1		
17	1	714320-92600	GASKET SET	1	1	1	1	1	1		1
18	2	114695-01340	GASKET, HEAD 0.5	1	1	1	1	1	1		
19	2	114699-01380	O-RING	1	1	1	1	1	1		
20	2	114699-01410	GASKET, CRANK CASE	1	1	1	1	1	1		
21	2	114299-01950	O-RING, 18	2	2	2	2	2	2		
22	2	114250-01841	GASKET	1	1	1	1	1	1		
23	2	22190-160002	WASHER, SEAL 16	2	2	2	2	2	2		
24	2	114650-11340	SEAL, VALVE STEM	2	2	2	2	2	2		
25	2	114771-11461	GASKET, NOZZLE	1	1	1	1	1	1		
26	2	114310-11310	GASKET, BONNET	1	1	1	1	1	1		
27	2	114310-12210	GASKET, AIR CLEANER	1	1	1	1	1	1		
28	2	114310-13200	GASKET, MUFFLER	1	1	1	1	1	1		
29	2	114299-32570	O-RING	1	1	1	1	1	1		
30	2	24341-000100	O-RING, 1AS10.0	1	1	1	1	1	1		
31	2	23414-080000	GASKET, 8X1.0	1	1	1	1	1	1		
32	2	24341-000224	O-RING, 1AS22.4	1	1	1	1	1	1		
33	2	24341-000150	O-RING, 1AS15.0	1	1	1	1	1	1		

Remarks
 (1)OPTIONAL

N:Old $\frac{100}{100}$ New, Q:Old $\frac{100}{100}$ New, R:Old $\frac{100}{100}$ New, S:Old $\frac{100}{100}$ New, W:Add, Z:Discontinued, F:Interchangeable by set, K:Qty Change
 Copyright (C) YANMAR CO., LTD. All Rights Reserved.

Parts No. Index

Parts No.	Fig. No.	Ref. No.
104200-66820	6	41
104200-66831	6	42
104200-66850	6	43
104211-11370	2	26
105198-07120	10	38
105225-66990	6	49
105546-51020	12	3
105546-51330	12	16
106100-77620	10	41
106100-77630	10	42
114139-53100	12	25
114139-53200	12	33
114210-03590	2	38
114210-07120	11	4
114210-07130	11	5
114210-07200	11	7
114210-11900	2	13
114210-12500	3	8
114210-12560	3	12
114210-12590	3	13
114210-12600	3	16
114210-12610	3	11
114210-14300	4	7
114210-53080	8	32
114210-53100	8	31
114210-53120	8	34
114210-53130	8	35
114210-53140	8	36
114210-53330	8	37
114210-53400	8	38
114210-55210	9	12
114210-55810	9	16
114210-61290	5	27
	6	27
114210-66060	5	46
114210-66070	6	37
114210-66100	5	50
114210-66300	5	37
114210-66350	5	41
114210-66400	6	39
114210-66510	5	36
114210-66550	6	36
114211-66600	5	62
114240-11450	2	27 -1
114240-11550	2	28 -1
114250-01841	1	7
	11	22
114250-51080	12	4
114250-51160	12	5
114250-51340	12	17

Parts No.	Fig. No.	Ref. No.
114250-51600	12	19
114250-51640	12	20
114250-51650	12	21
114250-53080	12	24
114250-53120	12	30
114250-53130	12	31
114250-53140	12	32
114250-53210	12	36
114250-53400	12	37
114250-55121	9	10
114250-55130	9	11
114250-55201	9	9
114250-55301	9	14
114250-66440	6	40
114252-66051	6	47
114268-59061	9	23
114270-59010	9	22
114288-55041	9	5
114288-55081	9	7
114295-11470	2	28
114295-61520	5	32
	6	32
114299-01600	1	8
114299-01690	1	14
114299-01800	1	28
114299-01830	1	5
114299-01950	1	17
	11	21
114299-02030	1	19
114299-03640	2	41
114299-07100	11	2
114299-07110	11	3
114299-07160	11	6
114299-11240	2	19
	23	23
114299-12300	3	2
114299-32070	5	7
	6	7
114299-32570	5	8
	6	8
	11	29
114299-35110	5	11
	6	11
114299-35150	1	12
114299-45220	7	1
114299-45301	7	13
114299-45310	7	14
114299-45350	7	16
114299-51020	8	3
114299-51080	8	4

Parts No.	Fig. No.	Ref. No.
114299-51090	8	5
114299-51160	8	6
114299-51330	8	15
114299-51340	8	16
114299-51350	8	17
114299-51600	8	18
114299-51620	8	19
114299-51630	8	27
114299-51640	8	28
114299-55080	9	4
114299-55100	9	8
114299-61190	5	35
	6	35
114299-61600	5	33
	6	33
114299-66200	5	61
	6	71
114299-66250	5	56
	6	68
114299-66440	5	51
	6	51
	55	55
114299-66920	6	59
114299-66931	6	60
114299-66940	6	61
114299-66960	6	65
114299-67080	5	52
	6	57
114299-92590	11	11
114299-92600	11	12
114299-92710	11	13
114299-92720	11	14
114299-92730	11	15
114299-92740	11	16
114310-01020	1	1
114310-01200	2	1
114310-01210	2	2
114310-01450	1	40
114310-11100	2	7
114310-11110	2	8
114310-11120	2	9
114310-11180	2	10
114310-11250	2	14
114310-11260	2	15
114310-11280	2	16
114310-11310	2	34
	11	26
114310-11650	2	17
114310-11660	2	21
114310-11930	2	11

Parts No.	Fig. No.	Ref. No.
114310-11950	2	36
114310-12010	3	4
114310-12210	3	1
	11	27
114310-12511	3	3
114310-13200	3	19
	11	28
114310-14200	4	6
114310-14400	4	12
114310-45100	7	35
114310-45260	7	2
114310-45270	7	3
114310-45300	7	4
114310-45310	7	5
114310-45350	7	8
114310-45360	7	11
114310-45230	9	13
114310-59060	9	26
114310-59061	9	26 -1
114310-59300	9	24
114310-59310	9	27
114310-59800	9	29
114311-61500	5	15
	6	15
114320-11020	2	3
114320-13800	3	34 -1
114320-51200	8	7
114320-53000	8	30
114320-66010	5	60
	6	70
114320-66020	5	59
114320-66600	5	67
	6	72
114339-59300	9	24 -1
114339-59301	9	24 -2
114350-51100	12	6
114351-77500	10	37
114351-77520	10	39
	45	45
114351-77700	10	43
114362-77011	10	1
114371-77160	10	7
114371-77170	10	13
114371-77180	10	14
114371-79040	10	8
114371-79050	10	9
114371-79060	10	10
114371-79070	10	17
114381-77110	10	2
114381-77130	10	5

Parts No. Index

Parts No.	Fig. No.	Ref. No.	Parts No.	Fig. No.	Ref. No.	Parts No.	Fig. No.	Ref. No.	Parts No.	Fig. No.	Ref. No.
114381-77140	10	6	114699-76531	7	22	22190-160002	1	18	26106-060302	6	66
114381-77151	10	12	114699-76551	7	24		11	23	26106-060402	3	17
114399-45320	7	6	114699-76560	7	25	22312-030160	2	43	26106-060452	6	46
114399-45340	7	7	114699-76592	7	32		5	9	26106-060652	2	35
114399-76540	7	23	114699-76630	7	27		6	9	26106-080122	1	24
114399-76620	7	26	114699-76650	7	28	22312-040080	1	46	26106-080202	3	20
114399-77400	10	30	114699-76660	7	29	22322-030200	5	24		4	78
114399-77540	10	32	114699-76670	7	30		6	24	26106-080352	1	13
114399-77550	10	28	114699-76680	7	31	22351-020006	12	12	26106-080452	9	18
114399-77710	10	34	114770-59030	9	21	22351-025005	12	29	26106-080502	2	31
114399-78000	10	33	114770-61610	5	34	22351-030008	12	22	26106-100302	10	19
114399-78260	10	21		6	34	22351-040008	2	30	26117-050089	5	49
114399-78730	10	22	114771-11461	2	27	22451-060000	5	74		6	64
114399-78740	10	23		11	25		6	79	26216-080182	3	32
114650-02100	1	43	114780-59010	9	21 -1	22512-050140	4	31	26226-060182	1	9
114650-02150	1	20	114780-59060	9	23 -1	22512-070360	4	76	26226-060222	1	10
114650-02200	1	25	114780-61090	5	73	23080-014000	9	22 -1	26226-060352	3	18
114650-02210	1	26		6	78	23414-080000	9	3	26226-060552	2	32
114650-11340	2	25	114940-01870	1	48 -1		11	31	26347-060002	5	54
	11	24	114970-13710	3	30	23875-020000	1	47	26366-060002	1	11
114650-32010	5	1	114973-13710	3	31	23876-010000	1	45		2	33
	6	1	119810-23200	4	46	24101-063040	4	54		7	12
114650-51300	12	13	121750-59890	9	28	24162-152220	1	21		9	19
114662-21601	4	74	124060-23100	4	45	24341-000100	11	30	26366-080002	3	33
114674-13511	3	28	124066-59100	9	25 A	24341-000150	9	15	26577-060142	10	27
114674-13551	3	26	124195-77770	10	16		11	33	26696-100002	6	44
114695-01340	1	27	124298-77020	10	15	24341-000224	5	13	26716-080002	10	20
	11	18	124550-51350	12	18		6	13	26757-060002	5	55
114699-01380	1	6	124722-59050	9	25		11	32		6	45
	11	19		25	-1	24423-355008	1	22			53
114699-01410	1	39	129792-22400	4	41			23			58
	11	20	160110-01870	1	48	26023-040102	10	31	26757-080002	6	67
114699-01760	1	15	160260-01580	3	27	26106-060082	7	9	26776-100002	5	72
114699-11600	2	29	160310-14550	4	80			33		6	77
114699-13552	3	21	160710-78710	10	24	26106-060122	5	10	26856-060002	2	20
114699-13562	3	22	160725-78350	5	53		6	10			24
114699-13700	3	23	160842-21150	4	75		7	34	29220-083200	10	44
114699-13710	3	24	160842-21250	4	77		10	25	714210-61700	5	26
114699-13720	3	25	160842-21260	4	79			35		6	26
114699-13800	3	34	183250-07230	11	9	26106-060142	5	57	714210-66100	5	45
114699-21220	4	29	183250-07480	11	8		6	69	714299-66900	6	54
114699-21550	4	30	183250-66070	6	38	26106-060162	5	14	714310-21700	4	14
114699-21590	4	71	183250-66321	5	38			44	714310-21710	4	13
114699-22300	4	40	183250-66331	5	39		6	14	714310-21740	4	16
114699-45330	7	15	183250-66341	5	40		9	20	714310-21750	4	15
114699-51300	8	12	183250-66361	5	42	26106-060202	5	58	714310-21760	4	17
114699-59850	9	35	183250-66371	5	43		6	52	714310-22500	4	34
114699-76251	7	18	183360-66110	6	50		7	10	714310-22540	4	57
114699-76510	7	19	183382-13700	3	29		10	26	714310-22550	4	63
114699-76521	7	20	22117-080000	9	17			36	714310-23701	4	42

Parts No. Index

Parts No.	Fig. No.	Ref. No.
714310-28510	4	49
714310-55700	9	1
714320-14580	4	1
714320-22580	4	61
714320-22620	4	55
714320-22720	4	32
714320-51100	8	2
714320-51130	8	1
714320-53100	8	29
714320-92600	11	17
714339-51200	12	2
714339-51210	12	1
714339-53200	12	23
714650-23600	4	47
714650-23610	4	67
714650-23620	4	69
X2114274200	10	18
X2114715500	10	4
X2114811000	10	3
X211485016	10	11

Parts No.	Fig. No.	Ref. No.
-----------	----------	----------

Parts No.	Fig. No.	Ref. No.
-----------	----------	----------

Parts No.	Fig. No.	Ref. No.
-----------	----------	----------