

OCR10-M82800EN

P R E F A C E

1. This Parts Catalog carries all parts incorporated in YANMAR Model L100N5EJ1T1CAGS engine manufactured since May, 2011.
2. Each illustration corresponds to the parts list on the following page.
3. When ordering parts, clearly write down the engine model and serial number, as well as the name and number of each part in your order sheet. This will help insure reliable delivery of the parts you have ordered.

Directions for the Parts Catalog.

- The parts stipulated in this Parts Catalog are not necessarily standard equipped parts.
- Parts may change without prior notice.
- The following is an example of the Parts Catalog format.

REF.	LEV.	PARTS NO.	DESCRIPTION	Q'TY						I	R
				(A)	(B)	(C)	(D)	(E)	(F)		
1	1	729595-51390	FUEL INJECTION PUMP	1	1	1	1	1			1
1-1	1	729595-51391	FUEL INJECTION PUMP	1	1	1	1	1		N	1
		(A=E00185) (B=E00200)									
3	2	26022-060162	SCREW M 6X 16	9	9	9	9	9			
3-1	2	26022-060162	SCREW M 6X 16	4	4	4	4	4		K	
		(A=E00156) (B=E00156) (C=E00156) (D=E00156) (E=E00156)									
4	2	129470-51040	CAMSHAFT	1	1	1	1	1			
5	2	122710-51050	BEARING, ROLLER	2	2	2	2	2			
6	2	129470-51060	RETAINER	1	1	1	1	1			

Remarks
(1) BOOST COMPEMSATOR TYPE. OPTIONAL PART, TO E00155,(4JH-DT, 4JH-DTZ

① Ref. No.

The Ref. No. listed may not be in accordance with the illustration Ref. No.

(Ex.) Illustration No.

List Ref No.

1 1 (Before change) → 1-1 (After change)

For interchangeable symbols N, R and K, illustrations for new parts may be abbreviated.

② Lev. (Level)

Level indication

The numbers below indicate the level of relativity towards the main part.

1 ---- Main parts (Assembly parts)

2 ---- Sub component included in " 1 ".

3 ---- Sub component included in " 2 ".

Note) Parts that are not for sale are partially illustrated but not listed.

③ Interchangeability Mark

When a part change takes place, one of the following interchangeability symbols is indicated beside the part.

Symbol	Interchangeability	Contents note
N	Old $\begin{matrix} \leftarrow \text{Yes} \\ \text{No} \rightarrow \end{matrix}$ New	New Part is interchangeable for Old Part but Old Part is not interchangeable for New Part.
Q	Old $\begin{matrix} \leftarrow \text{No} \\ \text{Yes} \rightarrow \end{matrix}$ New	New Part is not interchangeable for Old Part but Old Part is interchangeable for New Part.
R	Old $\begin{matrix} \leftarrow \text{Yes} \\ \text{Yes} \rightarrow \end{matrix}$ New	New/ Old Parts are both interchangeable.
S	Old $\begin{matrix} \leftarrow \text{No} \\ \text{No} \rightarrow \end{matrix}$ New	New/ Old Parts are both not interchangeable.
W		Part newly added.
Z		Part discontinued.
F		Not interchangeable by a single part but interchangeable together with related parts.
K		Changes only for used parts quantities.

④ Effective Machine No.

When a part changes, the effective Machine No. will be indicated in the (A)-(F) column.

Product Symbol	Product No.	Product Symbol	Product No.
C	Clutch No. Compressor No.	F	Machine No. (Agricultural Equip.)
D	Drive No.	M	Machine No.
E	Engine No.		

Note 1) A date may follow the symbol. (Ex.) 1996.01

Note 2) "XXXXX" and "ZZZZZ" are for parts that could not be predicted or for engine models that could not be identified.

Note 3) (A=E00185) is the E (Engine Serial Number) for the column (A) model (in this case 4JH-DT) after the parts design change.

⑤ Remarks Mark

Figures or alphabets (symbols) are entered in the remarks column.

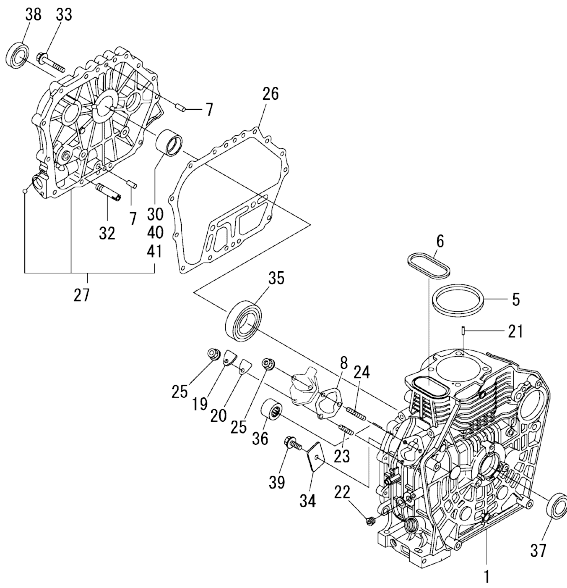
The comments (remarks) on parts that are indicated at the bottom of the illustration are the same symbols as those stated above.

Contents

OCR10-M82800

Fig. No.	Fig. Name	Fig. No.	Fig. Name
L100N5EJ1T1CAGS			
1.	CYLINDER BLOCK		
2.	DRAIN PLUG		
3.	LABEL		
4.	CYLINDER HEAD & BONNET		
5.	AIR CLEANER		
6.	EXHAUST MUFFLER		
7.	CAMSHAFT		
8.	CRANKSHAFT		
9.	FLYWHEEL		
10.	PISTON & CONNECTING ROD		
11.	BALANCER SHAFT		
12.	LUB.OIL PUMP & GOVERNOR		
13.	OIL PRESSURE SWITCH		
14.	COVER		
15.	COOLING FAN CASE		
16.	F.I.PUMP & F.I.VALVE		
17.	FUEL TANK & FUEL PIPE		
18.	SPEED CONTROL DEVICE		
19.	RECOIL STARTER		
20.	STARTING MOTOR		
21.	ELECTRICAL EQUIPMENT		
22.	DYNAMO		
23.	ACCESSORIES		
24.	TOOL & GASKET SET		

OCR10-M82800 L100N5EJ1T1CAGS
 Fig.1. CYLINDER BLOCK



OCR10-M82800 Fig.1

(A)=L100N5EJ1T1CAGS
 (B)=
 (C)=

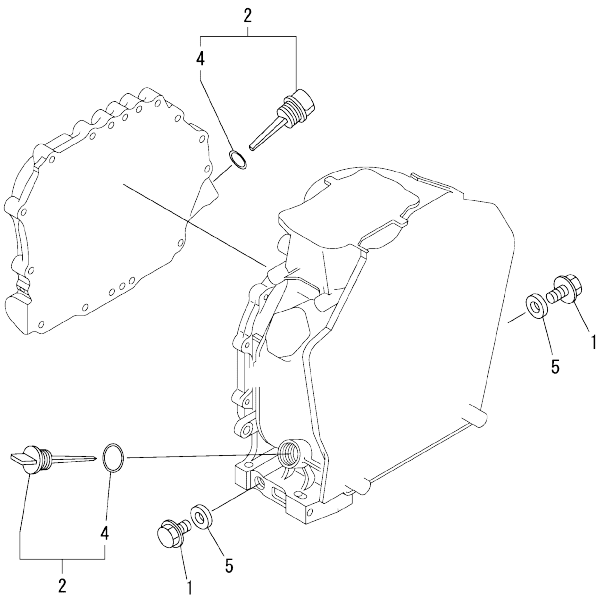
(D)=
 (E)=
 (F)=

No.	Lev.	Parts No.	Description	Q'ty						I	R
				(A)	(B)	(C)	(D)	(E)	(F)		
1	1	114310-01020	BLOCK ASSY, CYLINDER	1							
5	1	114695-01341	GASKET, HEAD 0.5	1							
6	1	114699-01380	O-RING	1							
7	1	114299-01600	PIN, 8X12	2							
8	1	114299-01800	SHIM SET	1							
19	1	114299-01830	COVER	1							
20	1	114250-01841	GASKET	1							
21	1	22312-040080	PIN, PARALLEL M4X 8	2							
22	1	23875-020000	PLUG, R02	1							
23	1	26226-060182	STUD, M6X 18	1							
24	1	26226-060222	STUD, M6X 22	2							
25	1	26366-060002	NUT, M6	3							
26	1	114699-01410	GASKET, CRANK CASE	1							
27	1	114310-01450	COVER(D, CRANK CASE	1							
30	2	114650-02100	BEARING, MAIN	1							1
32	1	114299-35150	PIPE, OIL INLET	1							
33	1	26106-080352	BOLT, M8X 35 PLATED	16							
34	1	114299-02030	RETAINER, BEARING	1							
35	1	114650-02150	BEARING, HR6308G3C3	1							
36	1	24162-152220	BEARING, 152220	1							
37	1	24423-355008	SEAL, OIL TC355008	1							
38	1	24423-355008	SEAL, OIL TC355008	1							
39	1	26106-080122	BOLT, M8X 12 PLATED	1							
40	1	114650-02200	BEARING, 0.25 US	1							2
41	1	114650-02210	BEARING, 0.50 US	1							3

Remarks
 (1)Spare parts.
 (2)Under sized(U.S.=0.25)parts.
 (3)Under sized(U.S.=0.50)parts.

N:Old $\frac{New}{Old}$ New, Q:Old $\frac{New}{Old}$ New, R:Old $\frac{New}{Old}$ New, S:Old $\frac{New}{Old}$ New, W:Add, Z:Discontinued, F:Interchangeable by set, K:Q'ty Change
 Copyright (C) YANMAR CO., LTD. All Rights Reserved.

Fig.2. DRAIN PLUG

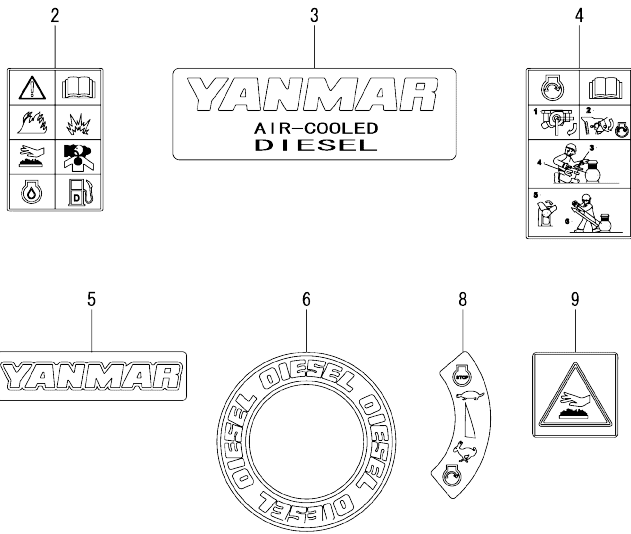


(A)=L100N5EJ1T1CAGS
(B)=
(C)=

(D)=
(E)=
(F)=

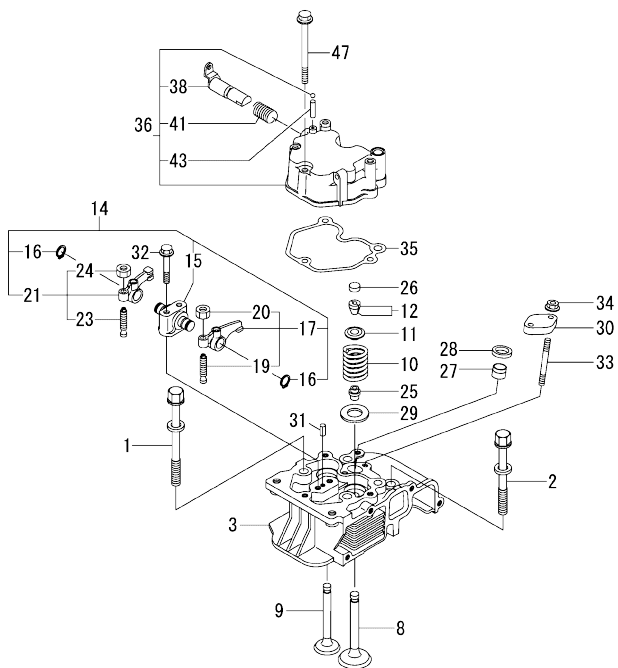
No.	Lev.	Parts No.	Description	Q'ty						I	R
				(A)	(B)	(C)	(D)	(E)	(F)		
1	1	114299-01690	PLUG M16	2							
2	1	114699-01760	CAP ASSY	2							
4	2	114299-01950	O-RING, 18	2							
5	1	22190-160002	WASHER, SEAL 16	2							

Fig.3. LABEL



No.	Lev.	Parts No.	Description	Q'ty					
				(A)	(B)	(C)	(D)	(E)	(F)
2	1	114220-07100	LABEL, CAUTION	1					
3	1	114299-07100	LABEL, AIR COOLED	1					
4	1	114220-07110	LABEL HOW TO START-E	1					
5	1	114299-07110	LABEL, YANMAR	1					
6	1	114299-07160	LABEL, DIESEL	1					
8	1	114220-07160	LABEL, THAI	1					
9	1	114220-07130	LABEL, HOT SURFACE	1					

Fig.4. CYLINDER HEAD & BONNET

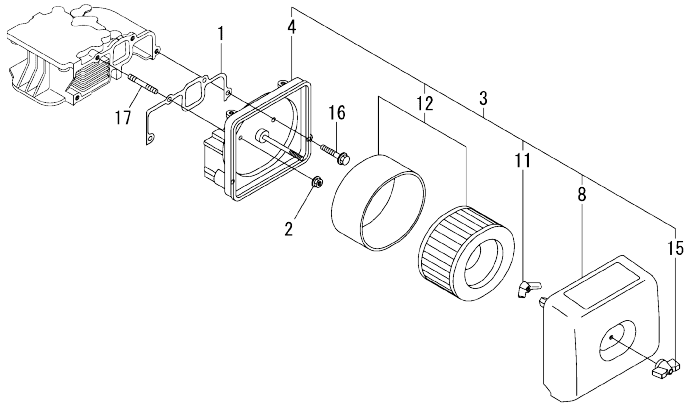


(A)=L100N5EJ1T1CAGS
(B)=
(C)=

(D)=
(E)=
(F)=

No.	Lev.	Parts No.	Description	Qty						I	R
				(A)	(B)	(C)	(D)	(E)	(F)		
1	1	114310-01200	BOLT, CYL HEAD A	2							
2	1	114310-01210	BOLT, CYL HEAD B	2							
3	1	11432C-11020	HEAD ASSY, CYLINDER	1							
8	1	11431C-11100	VALVE, INTAKE	1							
9	1	11431C-11110	VALVE, EXHAUST	1							
10	1	114310-11120	SPRING, VALVE	2							
11	1	114310-11180	RETAINER, SPRING	2							
12	1	114310-11930	COTTER ASSY	2							
14	1	11431C-11250	SUPPORT ASSY, ARM	1							
15	2	11431C-11260	SUPPORT, ROCKER ARM	1							
16	2	22242-000150	RING, 15	2							
17	2	11431C-11650	ARM, ROCKER	1							
19	3	114250-11240	SCREW, VALVE ADJUST	1							
20	3	26856-060002	NUT, M6	1							
21	2	11431C-11660	ARM, ROCKER	1							
23	3	114250-11240	SCREW, VALVE ADJUST	1							
24	3	26856-060002	NUT, M6	1							
25	1	114650-11341	SEAL, VALVE STEM	2							
26	1	104211-11370	CAP, VALVE	2							
27	1	114240-11450	PROTECTOR, NOZZLE	1							
28	1	114240-11550	SEAT, NOZZLE	1							
29	1	114699-11600	WASHER	2							
30	1	114210-11901	RETAINER, NOZZLE	1							
31	1	22351-040008	PIN, SPRING 4.0X 8	1							
32	1	114310-11290	BOLT, SUPPORT	2							
33	1	26226-060552	STUD, M6X 55	2							
34	1	26366-060002	NUT, M6	2							
35	1	114310-11310	GASKET, BONNET	1							
36	1	114310-11950	BONNET ASSY, HEAD	1							
38	2	114210-03590	DECOMPRESSION ASSY	1							
41	2	114299-03640	SPRING, DECOMPRESSION	1							
43	2	22312-030160	PIN, PARALLEL M3X16	1							
47	1	26106-060652	BOLT, M6X 65 PLATED	3							

Fig.5. AIR CLEANER

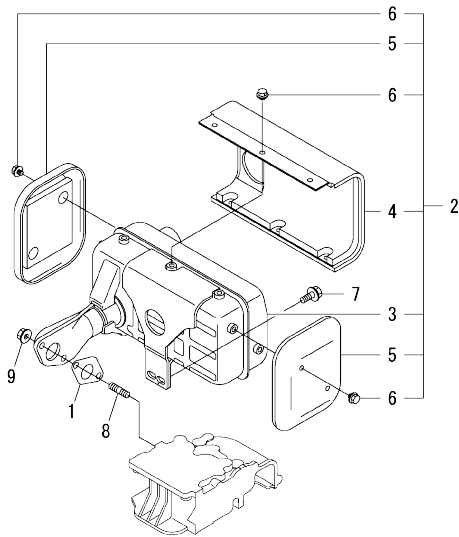


(A)=L100N5EJ1T1CAGS
(B)=
(C)=

(D)=
(E)=
(F)=

No.	Lev.	Parts No.	Description	Q'ty					
				(A)	(B)	(C)	(D)	(E)	(F)
1	1	114310-12210	GASKET, AIR CLEANER	1					
2	1	114299-12300	NUT	3					
3	1	114320-12550	CLEANER ASSY, AIR	1					
4	2	114310-12010	BODY ASSY, AIR CLNR	1					
8	2	114220-12500	COVER ASSY, AIR CLNR	1					
11	2	114210-12560	NUT, WING	1					
12	2	114210-12590	ELEMENT ASSY	1					
15	2	114210-12600	LOCKING KNOB	1					
16	1	26106-060402	BOLT, M6X 40 PLATED	1					
17	1	26226-060352	STUD, M6X 35	3					

Fig.6. EXHAUST MUFFLER

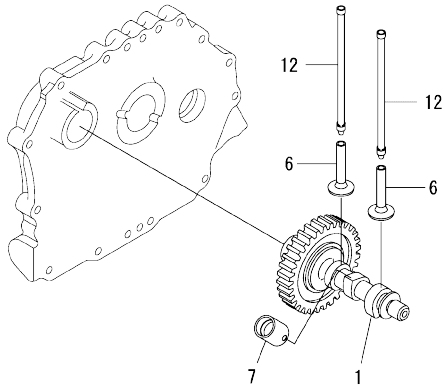


(A)=L100N5EJ1T1CAGS
(B)=
(C)=

(D)=
(E)=
(F)=

No.	Lev.	Parts No.	Description	Q'ty					
				(A)	(B)	(C)	(D)	(E)	(F)
1	1	114310-13200	GASKET, MUFFLER	1					
2	1	11431C-13550	MUFFLER ASSY	1					
3	2	11431C-13560	MUFFLER	1					
4	2	11431C-13700	COVER	1					
5	2	11431C-13710	COVER	2					
6	2	11431C-13720	BOLT, M6	10					
7	1	26106-080202	BOLT, M8X 20 PLATED	2					
8	1	26216-080182	STUD, M8X 18	2					
9	1	26366-080002	NUT, M8	2					

Fig.7. CAMSHAFT



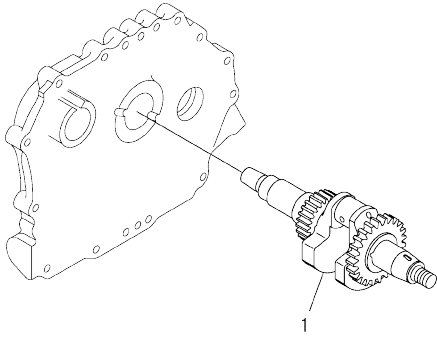
(A)=L100N5EJ1T1CAGS
(B)=
(C)=

(D)=
(E)=
(F)=

No.	Lev.	Parts No.	Description	Q'ty					
				(A)	(B)	(C)	(D)	(E)	(F)
1	1	71432C-14010	CAMSHAFT ASSY	1					
6	1	114310-14200	TAPPET	2					
7	1	114210-14300	TAPPET ASSY, ROLLER	1					
12	1	114310-14400	ROD ASSY, PUSH	2					

OCR10-M82800 L100N5EJ1T1CAGS

Fig.8. CRANKSHAFT



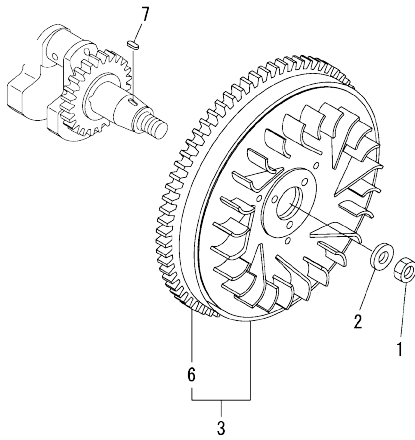
OCR10-M82800 Fig.8

(A)=L100N5EJ1T1CAGS
(B)=
(C)=

(D)=
(E)=
(F)=

No.	Lev.	Parts No.	Description	Q'ty						I	R
				(A)	(B)	(C)	(D)	(E)	(F)		
1	1	11431C-21840	CRANKSHAFT ASSY,E-DG	1							

Fig.9. FLYWHEEL

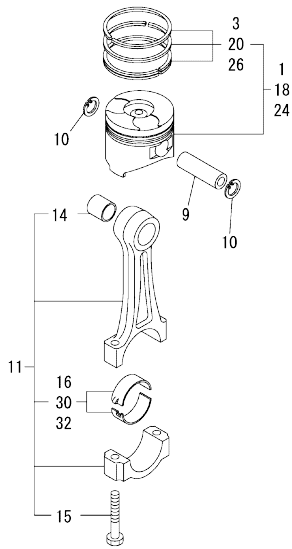


(A)=L100N5EJ1T1CAGS
(B)=
(C)=

(D)=
(E)=
(F)=

No.	Lev.	Parts No.	Description	Q'ty					
				(A)	(B)	(C)	(D)	(E)	(F)
1	1	114699-21220	NUT	1					
2	1	114699-21550	WASHER	1					
3	1	114699-21600	FLYWHEEL ASSY, DE	1					
6	2	114699-21630	RING, GEAR	1					
7	1	22512-050140	KEY, 5X 14	1					

Fig.10. PISTON & CONNECTING ROD



(A)=L100N5EJ1T1CAGS
(B)=
(C)=

(D)=
(E)=
(F)=

No.	Lev.	Parts No.	Description	Q'ty						
				(A)	(B)	(C)	(D)	(E)	(F)	
1	1	714320-22720	PISTON W/RINGS (D)	1						
3	2	714310-22500	RING SET, PISTON	1						
9	1	114699-22300	PIN, PISTON D=23	1						
10	1	114310-22500	SEEGER RING, J23	2						
11	1	71431C-23010	ROD ASSY, CONNECTING	1						
14	2	124060-23100	BEARING, PISTON PIN	1						
15	2	114310-23200	BOLT, CONNECTING ROD	2						
16	2	714650-23600	BEARING, CRANK PIN	1						
18	1	714320-22620	PISTON W/RING 250S	1						1
20	2	714310-22540	RING SET O.S=0.25	1						1
24	1	714320-22580	PISTON W/RING .500S	1						2
26	2	714310-22550	RING SET O.S=0.50	1						2
30	1	714650-23610	BEARING ASSY, 0.25	1						3
32	1	714650-23620	BEARING, 0.50 US	1						4

Remarks

- (1)Over size(O.S=0.25) parts.
- (2)Over size(O.S=0.50) parts.
- (3)Under size(U.S=0.25) parts.
- (4)Under size(U.S=0.50) parts.

OCR10-M82800 L100N5EJ1T1CAGS

Fig.11. BALANCER SHAFT

OCR10-M82800 Fig.11

(A)=L100N5EJ1T1CAGS
(B)=
(C)=

(D)=
(E)=
(F)=

No.	Lev.	Parts No.	Description	Qty						I	R
				(A)	(B)	(C)	(D)	(E)	(F)		
1	1	714310-28510	SHAFT ASSY, BALANCER	1							
6	1	24101-063040	BEARING, BALL 6304C3	2							

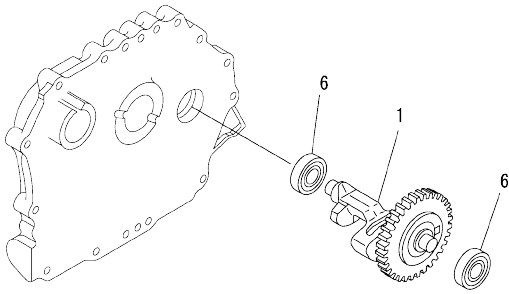
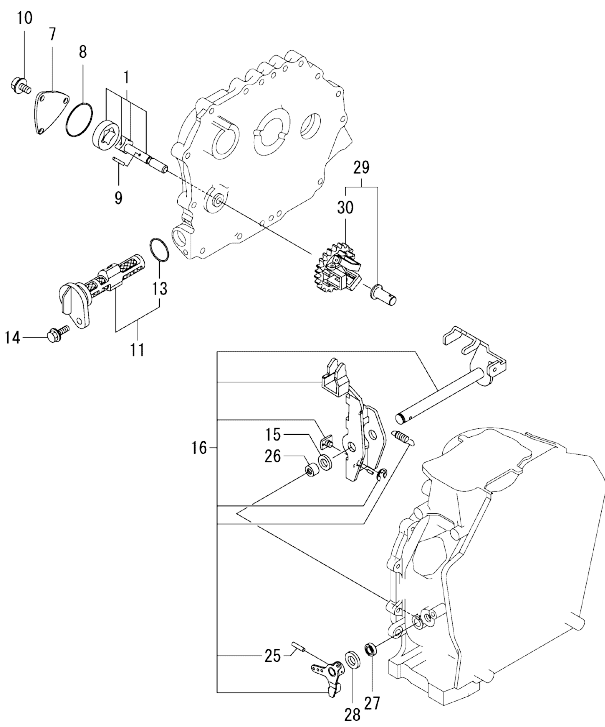


Fig.12. LUB.OIL PUMP & GOVERNOR



(A)=L100N5EJ1T1CAGS
(B)=
(C)=

(D)=
(E)=
(F)=

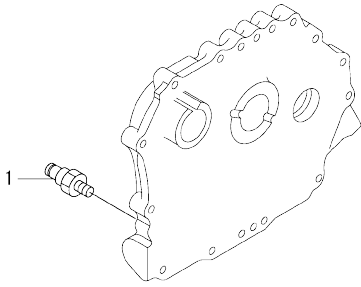
No.	Lev.	Parts No.	Description	Q'ty						I	R
				(A)	(B)	(C)	(D)	(E)	(F)		
1	1	114650-32010	PUMP ASSY, OIL	1							
7	1	114299-32070	COVER	1							
8	1	114299-32570	O-RING	1							
9	1	22312-030160	PIN, PARALLEL M3X16	1							
10	1	26106-060122	BOLT, M6X 12 PLATED	3							
11	1	114299-35110	FILTER ASSY, OIL	1							
13	2	24341-000224	O-RING, 1AS22.4	1							
14	1	26106-060162	BOLT, M6X 16 PLATED	1							
15	1	114299-61190	WASHER	1							
16	1	114311-61500	LEVER ASSY, GOVERNOR	1							1
25	2	22322-030200	PIN, TAPER 3X20	1							
26	1	114770-61520	BEARING, NEEDLE	2							
27	1	114299-61600	SEAL, OIL	1							
28	1	114770-61610	WASHER, THRUST	1							
29	1	714210-61701	GOVERNOR ASSY	1							
30	2	114210-61290	WEIGHT ASSY, GOVERNOR	1							

Remarks
(1)On a guarantee of quality component part shall not be sold.

N:Old $\frac{New}{Old}$ New, Q:Old $\frac{New}{Old}$ New, R:Old $\frac{New}{Old}$ New, S:Old $\frac{New}{Old}$ New, W:Add, Z:Discontinued, F:Interchangeable by set, K:Q'ty Change
Copyright (C) YANMAR CO., LTD. All Rights Reserved.

OCR10-M82800 L100N5EJ1T1CAGS

Fig.13. OIL PRESSURE SWITCH



OCR10-M82800 Fig.13

(A)=L100N5EJ1T1CAGS
(B)=
(C)=

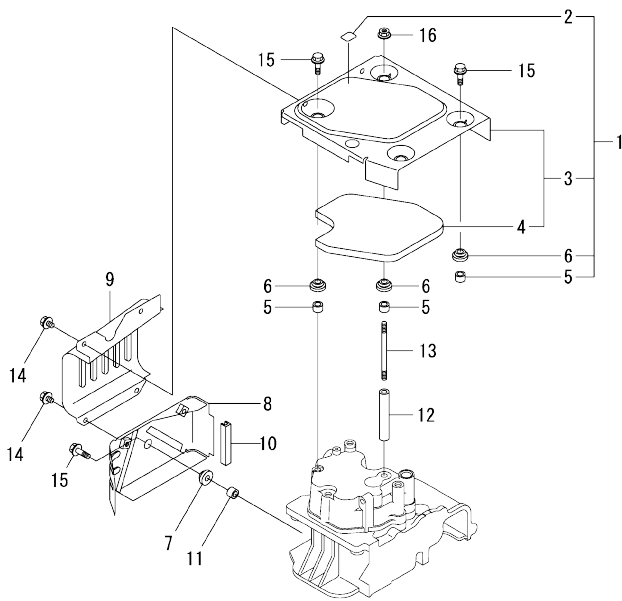
(D)=
(E)=
(F)=

No.	Lev.	Parts No.	Description	Q'ty						I	R
				(A)	(B)	(C)	(D)	(E)	(F)		
1	1	183250-39450	SWITCH, 1.0KG	1							

Fig.14. COVER

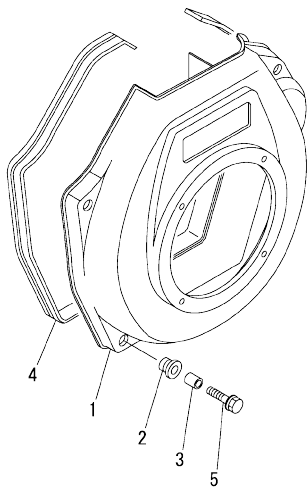
(A)=L100N5EJ1T1CAGS
(B)=
(C)=

(D)=
(E)=
(F)=



No.	Lev.	Parts No.	Description	Q'ty					
				(A)	(B)	(C)	(D)	(E)	(F)
1	1	11432C-45200	TOP COVER ASSY	1					
2	2	114220-07120	LABEL, DECOMPRESSION	1					
3	2	11431C-45300	COVER	1					
4	3	11431C-45310	INSULATOR, NOISE	1					
5	2	114350-45340	COLLAR	4					
6	2	183720-55210	GROMMET	4					
7	1	114299-45220	GROMMET	1					
8	1	11431C-45260	COVER	1					
9	1	11431C-45270	COVER	1					
10	1	114399-45320	RUBBER, SEAL	1					
11	1	114399-45340	COLLAR	1					
12	1	114310-45350	SPACER, TOP COVER	1					
13	1	114310-45360	STUD BOLT, TOP COVER	1					
14	1	26106-060082	BOLT, M6X 8 PLATED	4					
15	1	26106-060202	BOLT, M6X 20 PLATED	4					
16	1	26366-060002	NUT, M6	1					

Fig.15. COOLING FAN CASE

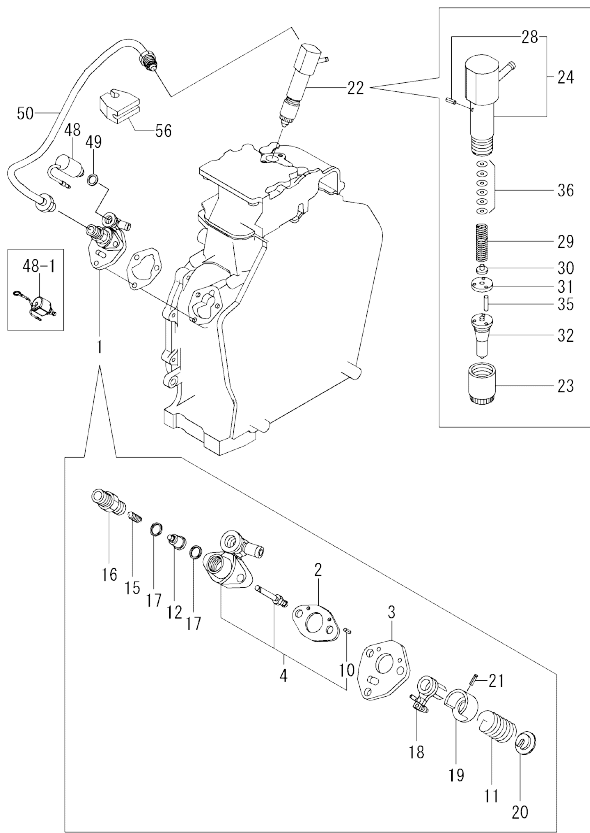


(A)=L100N5EJ1T1CAGS
(B)=
(C)=

(D)=
(E)=
(F)=

No.	Lev.	Parts No.	Description	Qty					
				(A)	(B)	(C)	(D)	(E)	(F)
1	1	11431C-45100	CASE, COOLING FAN	1					
2	1	114299-45301	RUBBER, CUSHION	4					
3	1	114299-45310	COLLAR	4					
4	1	114699-45331	SEAL, FAN CASE	1					
5	1	114299-45350	BOLT, FAN CASE	4					

Fig.16. F.I.PUMP & F.I.VALVE



(A)=L100N5EJ1T1CAGS
(B)=
(C)=

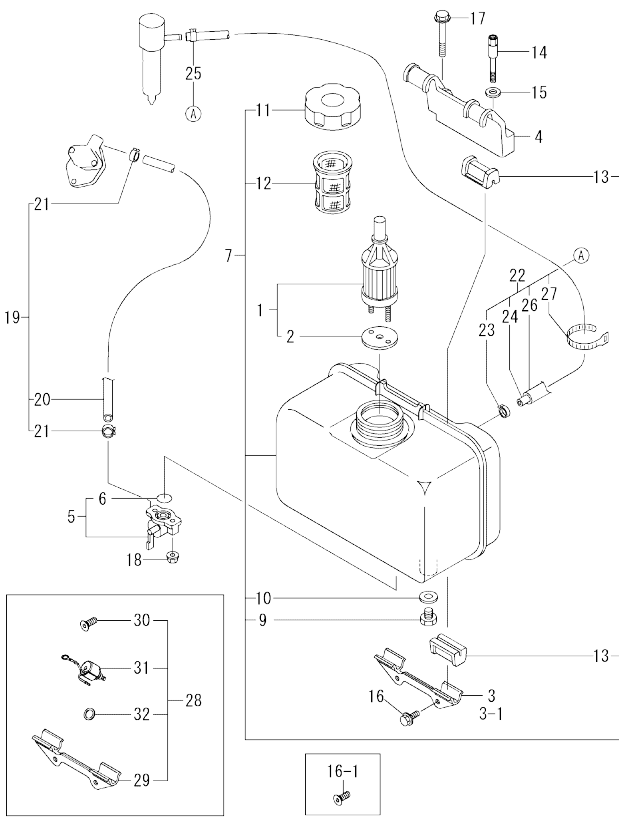
(D)=
(E)=
(F)=

No.	Lev.	Parts No.	Description	Q'ty						I	R
				(A)	(B)	(C)	(D)	(E)	(F)		
1	1	714339-51310	PUMP ASSY, INJECTION	1							
2	2	105546-51020	GASKET	1							
3	2	114250-51080	PLATE	1							
4	2	114339-51200	BODY ASSY, PUMP	1							
10	4	22351-020006	PIN, SPRING 2.0X 6	2							
11	2	114250-51160	SPRING, PLUNGER	1							
12	2	114650-51300	VALVE ASSY, DELIVERY	1							
15	2	105546-51330	SPRING, DELIVERY	1							
16	2	114250-51340	HOLDER, DELIVERY	1							
17	2	124550-51350	GASKET, DELIVERY	2							
18	2	114250-51600	LEVER ASSY, CONTROL	1							
19	2	114250-51640	SEAT, SPRING A	1							
20	2	114250-51650	SEAT, SPRING B	1							
21	2	22351-030008	PIN, SPRING 3.0X 8	1							
22	1	714339-53200	VALVE ASSY, INJECTION	1							
23	2	114250-53080	NUT, NOZZLE D16.95	1							
24	2	114339-53100	HOLDER ASSY, NOZZLE	1							
28	3	22351-025005	PIN, SPRING 2.5X 6	1							
29	2	114250-53120	SPRING, NOZZLE	1							
30	2	114250-53130	SEAT, SPRING	1							
31	2	114250-53140	PLATE	1							
32	2	114339-53200	VALVE ASSY, INJECTION	1							
35	2	114250-53210	PIN	2							
36	2	114250-53400	SHIM SET	1							
48	1	114110-76901	VALVE ASSY, F/O CUT	1							
48-1	1	114110-76910	VALVE ASSY, F/O CUT	1							F 1
(A=ES80947)											
49	1	114299-83020	GASKET, 10X1.2	1							
50	1	114310-59800	PIPE ASSY, INJECTION	1							
56	1	114699-59850	SUPPORT, PIPE	1							

Remarks
(1)Fig.17 No.3-1 & 16-1 interchangeable by set.

N:Old $\frac{New}{Old}$ New, Q:Old $\frac{New}{Old}$ New, R:Old $\frac{New}{Old}$ New, S:Old $\frac{New}{Old}$ New, W:Add, Z:Discontinued, F:interchangeable by set, K:Q'ty Change
Copyright (C) YANMAR CO., LTD. All Rights Reserved.

Fig.17. FUEL TANK & FUEL PIPE



(A)=L100N5EJ1T1CAGS
(B)=
(C)=

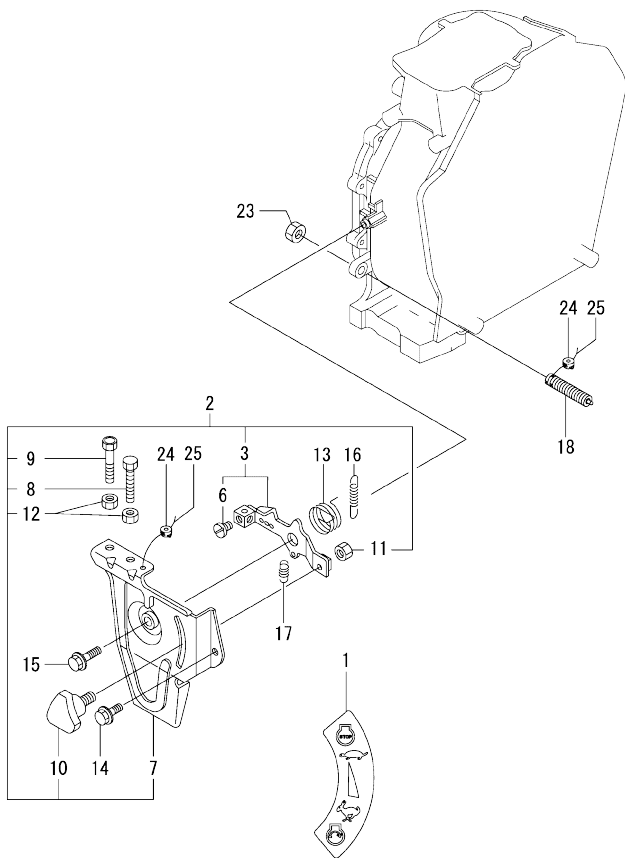
(D)=
(E)=
(F)=

No.	Lev.	Parts No.	Description	Q'ty						I	R
				(A)	(B)	(C)	(D)	(E)	(F)		
1	1	114250-55121	FILTER ASSY, FUEL	1							
2	2	114250-55130	GASKET	1							
3	1	114210-55210	STAY, FUEL TANK A	1							
3-1	1	114210-55220 (A=ES80947)	STAY, FUEL TANK A	1							F 1
4	1	114310-55230	STAY, FUEL TANK B	1							
5	1	114250-55301	COCK ASSY, FUEL	1							
6	2	24341-000150	O-RING, 1AS15.0	1							
7	1	11431C-55710	TANK ASSY, FUEL	1							
9	2	114299-55080	PLUG, DRAIN	1							
10	2	23414-080000	GASKET, 8X1.0	1							
11	2	114299-55040	CAP ASSY, FUEL TANK	1							
12	2	114299-55100	ELEMENT, FUEL FILTER	1							
13	2	114250-55201	DAMPER, FUEL TANK	4							
14	1	114210-55810	BOLT, LIFTING	1							
15	1	22117-080000	WASHER, 8	1							
16	1	26106-060162	BOLT, M6X 16 PLATED	2							
16-1	1	114210-55300	BOLT	2							F 1
		(A=ES80947)									
17	1	26106-080452	BOLT, M8X 45 PLATED	1							
18	1	26366-060002	NUT, M6	2							
19	1	114780-59010	PIPE ASSY, FUEL L50	1							
20	2	114780-59060	PIPE, FUEL L=50	1							
21	2	23080-014000	CLAMP, 14	2							
22	1	114339-59300	PIPE ASSY, RETURN	1							
22-1	1	114339-59301	PIPE ASSY, FO RETURN	1							N
		(A=2019.03)									
23	2	124722-59050	CLAMP, HOSE 9	1							
24	2	114310-59060	PIPE, FUEL RETURN	1							
24-1	2	114310-59061	PIPE, FO RETURN	1							N
		(A=2019.03)									
25	2	124066-59100	CLAMP, HOSE 8	1							
26	2	114310-59310	HOSE, PROTECTION	1							
27	2	121750-59890	BAND, NYLON	1							
28	1	114210-95900	SPARE KIT, FUEL VALVE	1							W 2
		(A=ES80947)									
29	2	114210-55220	STAY, FUEL TANK A	1							W
		(A=ES80947)									
30	2	114210-55300	BOLT	2							W
		(A=ES80947)									
31	2	114110-76910	VALVE ASSY, FUEL CUT	1							W
		(A=ES80947)									
32	2	114299-83020	GASKET, 10X1.2	1							W
		(A=ES80947)									

Remarks

- (1)Ref.No.3-1,16-1 & Fig16 No.48-1 interchangeable by set.
- (2)These parts are sold as a set with Ref.No.28.

Fig.18. SPEED CONTROL DEVICE



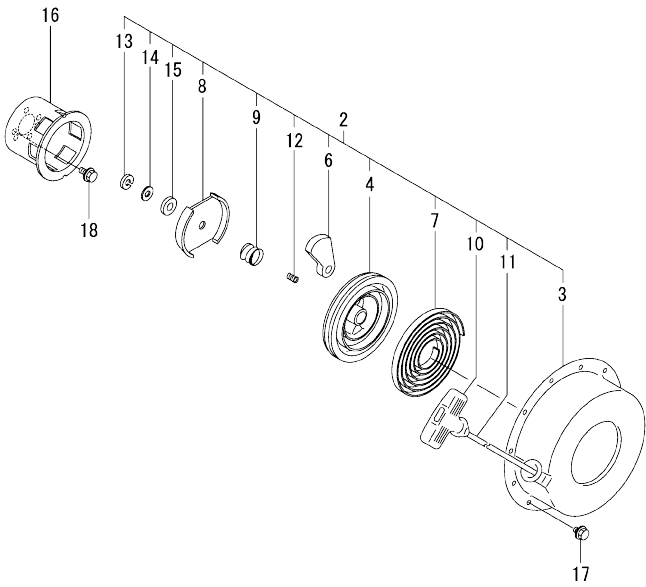
(A)=L100N5EJ1T1CAGS
(B)=
(C)=

(D)=
(E)=
(F)=

No.	Lev.	Parts No.	Description	Q'ty						
				(A)	(B)	(C)	(D)	(E)	(F)	
1	1	114220-07160	LABEL, THAI	1						
2	1	714210-66100	SPEED CTRL, THAI	1						
3	2	114210-66060	HANDLE ASY,REGULATOR	1						
6	3	26117-050089	BOLT, M5X 8 PLATED	1						
7	2	114210-66100	BRACKET, REGULATOR	1						
8	2	114299-66440	BOLT, ADJUSTING	1						
9	2	114299-67080	BOLT, ADJUSTING	1						
10	2	160725-78350	KNOB	1						
11	2	26347-060002	NUT, M6	1						
12	2	26757-060002	NUT, LOCK M6	2						
13	1	114299-66250	SPRING, RETURN	1						
14	1	26106-060142	BOLT, M6X 14 PLATED	1						
15	1	26106-060202	BOLT, M6X 20 PLATED	1						
16	1	114320-66010	SPRING, REGULATOR	1						
17	1	114299-66200	SPRING, RETURN	1						
18	1	114211-66600	LIMITER ASSY, FUEL	1						
23	1	26776-100002	NUT, LOCK M10	1						
24	1	114780-61090	TIN	2						
25	1	22451-060000	WIRE, 0.6	2						

OCR10-M82800 L100N5EJ1T1CAGS
 Fig.19. RECOIL STARTER

OCR10-M82800 Fig.19

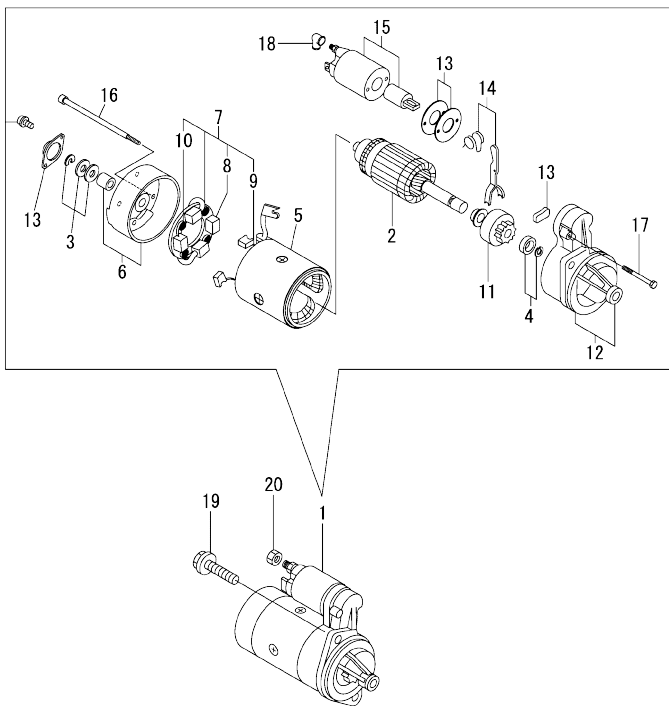


(A)=L100N5EJ1T1CAGS
 (B)=
 (C)=

(D)=
 (E)=
 (F)=

No.	Lev.	Parts No.	Description	Q'ty					
				(A)	(B)	(C)	(D)	(E)	(F)
2	2	114699-76251	RECOIL ASSY	1					
3	3	114699-76510	CASE, STARTER	1					
4	3	114699-76521	REEL, RECOIL	1					
6	3	114699-76531	RATCHET	2					
7	3	114399-76540	SPRING, SPIRAL	1					
8	3	114699-76551	GUIDE, RATCHET	1					
9	3	114699-76560	SPRING, FRICTION	1					
10	3	114399-76620	KNOB, STARTER	1					
11	3	114699-76630	ROPE, STARTER	1					
12	3	114699-76650	SPRING, RETURN	1					
13	3	114699-76660	CIRCLIP	1					
14	3	114699-76670	WASHER	1					
15	3	114699-76680	WASHER	1					
16	2	114699-76592	PULLEY, STARTER	1					
17	1	26106-060082	BOLT, M6X 8 PLATED	4					
18	1	26106-060122	BOLT, M6X 12 PLATED	3					

Fig.20. STARTING MOTOR

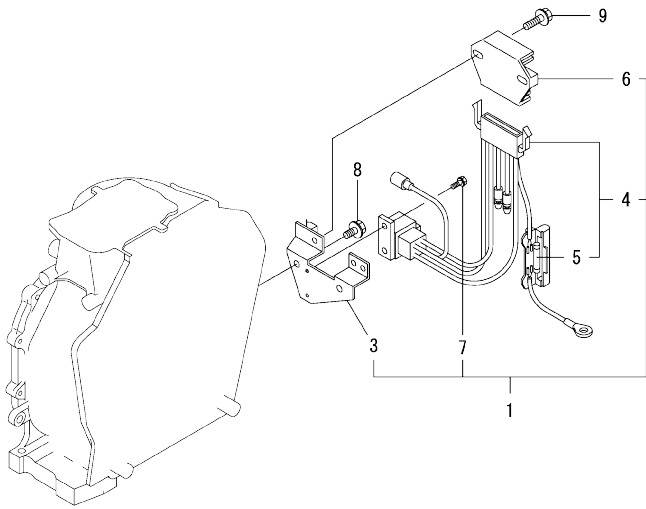


(A)=L100N5EJ1T1CAGS
(B)=
(C)=

(D)=
(E)=
(F)=

No.	Lev.	Parts No.	Description	Q'ty					
				(A)	(B)	(C)	(D)	(E)	(F)
1	1	114362-77011	STARTER	1					
2	2	114381-77110	ARMATURE	1					
3	2	X2114811000	WASHER KIT, THRUST	1					
4	2	X2114715500	STOPPER SET, PINION	1					
5	2	114381-77130	COIL ASSY, FIELD	1					
6	2	114381-77140	COVER, REAR	1					
7	2	114371-77160	HOLDER ASSY, BRUSH	1					
8	3	114371-79040	BRUSH (-)	2					
9	3	114371-79050	BRUSH (+)	1					
10	3	114371-79060	SPRING, BRUSH	4					
11	2	X211485016	PINION ASSY	1					
12	2	114381-77151	HOUSING ASSY, GEAR	1					
13	2	114371-77170	COVER KIT, DUST	1					
14	2	114371-77180	LEVER KIT, SHIFT	1					
15	2	124298-77020	SWITCH, MAGNETIC	1					
16	2	124195-77770	THROUGH BOLT	2					
17	2	114371-79070	BOLT M 6X 37	2					
18	2	X2114274200	COVER, TERMINAL	1					
19	1	26106-100302	BOLT, M10X 30 PLATED	2					
20	1	26716-080002	NUT, M8	1					

Fig.21. ELECTRICAL EQUIPMENT

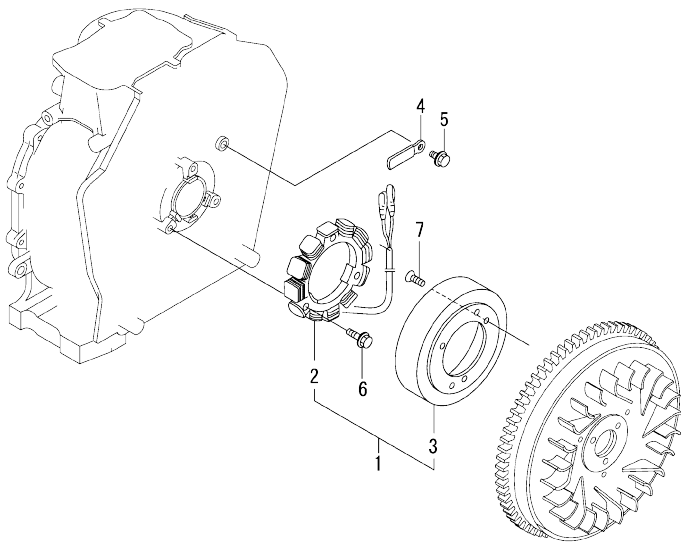


(A)=L100N5EJ1T1CAGS
(B)=
(C)=

(D)=
(E)=
(F)=

No.	Lev.	Parts No.	Description	Q'ty					
				(A)	(B)	(C)	(D)	(E)	(F)
1	1	114399-77550	REG. & HARNESS ASSY	1					
3	3	114399-77400	BRACKET, HARNESS	1					
4	3	114399-77540	HARNESS, WIRE	1					
5	4	114399-78000	FUSE(20A)	1					
6	2	114399-77710	REGULATOR	1					
7	2	26023-040102	SCREW, M4X10	2					
8	1	26106-060122	BOLT, M6X 12 PLATED	2					
9	1	26106-060202	BOLT, M6X 20 PLATED	2					

Fig.22. DYNAMO



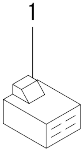
(A)=L100N5EJ1T1CAGS
(B)=
(C)=

(D)=
(E)=
(F)=

No.	Lev.	Parts No.	Description	Q'ty					
				(A)	(B)	(C)	(D)	(E)	(F)
1	1	114399-78260	DYNAMO ASSY	1					
2	2	114399-78730	STATOR ASSY	1					
3	2	114399-78740	WHEEL, DYNAMO	1					
4	1	160710-78710	CLAMP, CORD	1					
5	1	26106-060122	BOLT, M6X 12 PLATED	1					
6	1	26106-060202	BOLT, M6X 20 PLATED	3					
7	1	26577-060142	SCREW M 6X 14	3					

OCR10-M82800 L100N5EJ1T1CAGS

Fig.23. ACCESSORIES



OCR10-M82800 Fig.23

(A)=L100N5EJ1T1CAGS
(B)=
(C)=

(D)=
(E)=
(F)=

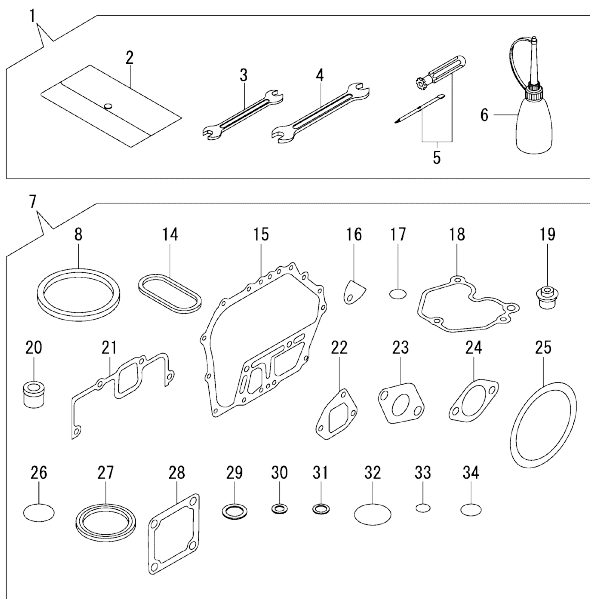
No.	Lev.	Parts No.	Description	Q'ty						I	R
				(A)	(B)	(C)	(D)	(E)	(F)		
1	1	114351-77520	COUPLER	1							

N:Old $\frac{H10}{K10}$ New. Q:Old $\frac{H10}{V10}$ New. R:Old $\frac{H10}{T10}$ New. S:Old $\frac{H10}{K10}$ New. W:Add. Z:Discontinued. F:Interchangeable by set. K:Q'ty Change
Copyright (C) YANMAR CO., LTD. All Rights Reserved.

Fig.24. TOOL & GASKET SET

(A)=L100N5EJ1T1CAGS
(B)=
(C)=

(D)=
(E)=
(F)=



No.	Lev.	Parts No.	Description	Q'ty						I	R
				(A)	(B)	(C)	(D)	(E)	(F)		
1	1	114299-92590	BOX, TOOL	1							
2	2	114299-92600	BAG, TOOL	1							
3	2	114299-92710	WRENCH	1							
4	2	114299-92720	WRENCH	1							
5	2	114299-92730	DRIVER	1							
6	2	114299-92740	DIPSTICK	1							
7	1	114320-92600	GASKET SET	1							1
8	2	114695-01331	GASKET, HEAD	1							
14	2	114699-01380	O-RING	1							
15	2	114699-01410	GASKET, CRANK CASE	1							
16	2	114250-01841	GASKET	1							
17	2	114299-01950	O-RING, 18	2							
18	2	114310-11310	GASKET, BONNET	1							
19	2	114650-11341	SEAL, VALVE STEM	2							
20	2	114771-11461	GASKET, NOZZLE	1							
21	2	114310-12210	GASKET, AIR CLEANER	1							
22	2	114699-12210	GASKET, AIR CLEANER	2							
23	2	114310-13200	GASKET, MUFFLER	1							
24	2	183671-13211	GASKET, PIPE	1							
25	2	114399-21980	GASKET	1							
26	2	114299-32570	O-RING	1							
27	2	160393-55050	GASKET	4							
28	2	129100-77510	GASKET, AIR HEATER	3							
29	2	22190-160002	WASHER, SEAL 16	2							
30	2	23414-080000	GASKET, 8X1.0	1							
31	2	23414-120000	GASKET, 12X1.0	1							
32	2	24311-000400	O-RING, 1AP40.0	1							
33	2	24341-000150	O-RING, 1AS15.0	2							
34	2	24341-000224	O-RING, 1AS22.4	1							

Remarks

(1)Optional parts.

Parts No. Index

Parts No.	Fig. No.	Ref. No.
104211-11370	4	26
105546-51020	16	2
105546-51330	16	15
114110-76901	16	48
114110-76910	16	48 -1
	17	31
114210-03590	4	38
114210-11901	4	30
114210-12560	5	11
114210-12590	5	12
114210-12600	5	15
114210-14300	7	7
114210-55210	17	3
114210-55220	17	3 -1
		29
114210-55300	17	16 -1
		30
114210-55810	17	14
114210-61290	12	30
114210-66060	18	3
114210-66100	18	7
114210-95900	17	28
114211-66600	18	18
114220-07100	3	2
114220-07110	3	4
114220-07120	14	2
114220-07130	3	9
114220-07160	3	8
	18	1
114220-12500	5	8
114240-11450	4	27
114240-11550	4	28
114250-01841	1	20
	24	16
114250-11240	4	19
		23
114250-51080	16	3
114250-51160	16	11
114250-51340	16	16
114250-51600	16	18
114250-51640	16	19
114250-51650	16	20
114250-53080	16	23
114250-53120	16	29
114250-53130	16	30
114250-53140	16	31
114250-53210	16	35
114250-53400	16	36
114250-55121	17	1
114250-55130	17	2

Parts No.	Fig. No.	Ref. No.
114250-55201	17	13
114250-55301	17	5
114299-01600	1	7
114299-01690	2	1
114299-01800	1	8
114299-01830	1	19
114299-01950	2	4
	24	17
114299-02030	1	34
114299-03640	4	41
114299-07100	3	3
114299-07110	3	5
114299-07160	3	6
114299-12300	5	2
114299-32070	12	7
114299-32570	12	8
	24	26
114299-35110	12	11
114299-35150	1	32
114299-45220	14	7
114299-45301	15	2
114299-45310	15	3
114299-45350	15	5
114299-55040	17	11
114299-55080	17	9
114299-55100	17	12
114299-61190	12	15
114299-61600	12	27
114299-66200	18	17
114299-66250	18	13
114299-66440	18	8
114299-67080	18	9
114299-83020	16	49
	17	32
114299-92590	24	1
114299-92600	24	2
114299-92710	24	3
114299-92720	24	4
114299-92730	24	5
114299-92740	24	6
114310-01020	1	1
114310-01200	4	1
114310-01210	4	2
114310-01450	1	27
114310-11120	4	10
114310-11180	4	11
114310-11290	4	32
114310-11310	4	35
	24	18
114310-11930	4	12

Parts No.	Fig. No.	Ref. No.
114310-11950	4	36
114310-12010	5	4
114310-12210	5	1
	24	21
114310-13200	6	1
	24	23
114310-14200	7	6
114310-14400	7	12
114310-22500	10	10
114310-23200	10	15
114310-45350	14	12
114310-45360	14	13
114310-45390	17	4
114310-59060	17	24
114310-59061	17	24 -1
114310-59310	17	26
114310-59800	16	50
114311-61500	12	16
11431C-11100	4	8
11431C-11110	4	9
11431C-11250	4	14
11431C-11260	4	15
11431C-11650	4	17
11431C-11660	4	21
11431C-13550	6	2
11431C-13560	6	3
11431C-13700	6	4
11431C-13710	6	5
11431C-13720	6	6
11431C-21840	8	1
11431C-45100	15	1
11431C-45260	14	8
11431C-45270	14	9
11431C-45300	14	3
11431C-45310	14	4
11431C-55710	17	7
114320-12550	5	3
114320-66010	18	16
114320-92600	24	7
11432C-11020	4	3
11432C-45200	14	1
114339-51200	16	4
114339-53100	16	24
114339-53200	16	32
114339-59300	17	22
114339-59301	17	22 -1
114350-45340	14	5
114351-77520	23	1
114362-77011	20	1
114371-77160	20	7

Parts No.	Fig. No.	Ref. No.
114371-77170	20	13
114371-77180	20	14
114371-79040	20	8
114371-79050	20	9
114371-79060	20	10
114371-79070	20	17
114381-77110	20	2
114381-77130	20	5
114381-77140	20	6
114381-77151	20	12
114399-21980	24	25
114399-45320	14	10
114399-45340	14	11
114399-76540	19	7
114399-76620	19	10
114399-77400	21	3
114399-77540	21	4
114399-77550	21	1
114399-77710	21	6
114399-78000	21	5
114399-78260	22	1
114399-78730	22	2
114399-78740	22	3
114650-02100	1	30
114650-02150	1	35
114650-02200	1	40
114650-02210	1	41
114650-11341	4	25
	24	19
114650-32010	12	1
114650-51300	16	12
114695-01331	24	8
114695-01341	1	5
114699-01380	1	6
	24	14
114699-01410	1	26
	24	15
114699-01760	2	2
114699-11600	4	29
114699-12210	24	22
114699-21220	9	1
114699-21550	9	2
114699-21600	9	3
114699-21630	9	6
114699-22300	10	9
114699-45331	15	4
114699-59850	16	56
114699-76251	19	2
114699-76510	19	3
114699-76521	19	4

Parts No. Index

Parts No.	Fig. No.	Ref. No.
114699-76531	19	6
114699-76551	19	8
114699-76560	19	9
114699-76592	19	16
114699-76630	19	11
114699-76650	19	12
114699-76660	19	13
114699-76670	19	14
114699-76680	19	15
114770-61520	12	26
114770-61610	12	28
114771-11461	24	20
114780-59010	17	19
114780-59060	17	20
114780-61090	18	24
121750-59890	17	27
124060-23100	10	14
124066-59100	17	25
124195-77770	20	16
124298-77020	20	15
124550-51350	16	17
124722-59050	17	23
129100-77510	24	28
160393-55050	24	27
160710-78710	22	4
160725-78350	18	10
183250-39450	13	1
183671-13211	24	24
183720-55210	14	6
22117-080000	17	15
22190-160002	2	5
	24	29
22242-000150	4	16
22312-030160	4	43
	12	9
22312-040080	1	21
22322-030200	12	25
22351-020006	16	10
22351-025005	16	28
22351-030008	16	21
22351-040008	4	31
22451-060000	18	25
22512-050140	9	7
23080-014000	17	21
23414-080000	17	10
	24	30
23414-120000	24	31
23875-020000	1	22
24101-063040	11	6
24162-152220	1	36

Parts No.	Fig. No.	Ref. No.
24311-000400	24	32
24341-000150	17	6
	24	33
24341-000224	12	13
	24	34
24423-355008	1	37
		38
26023-040102	21	7
26106-060082	14	14
	19	17
26106-060122	12	10
	19	18
	21	8
	22	5
26106-060142	18	14
26106-060162	12	14
	17	16
26106-060202	14	15
	18	15
	21	9
	22	6
26106-060402	5	16
26106-060652	4	47
26106-080122	1	39
26106-080202	6	7
26106-080352	1	33
26106-080452	17	17
26106-100302	20	19
26117-050089	18	6
26216-080182	6	8
26226-060182	1	23
26226-060222	1	24
26226-060352	5	17
26226-060552	4	33
26347-060002	18	11
26366-060002	1	25
	4	34
	14	16
	17	18
26366-080002	6	9
26577-060142	22	7
26716-080002	20	20
26757-060002	18	12
26776-100002	18	23
26856-060002	4	20
		24
		29
714210-61701	12	29
714210-66100	18	2
714310-22500	10	3
714310-22540	10	20

Parts No.	Fig. No.	Ref. No.
714310-22550	10	26
714310-28510	11	1
71431C-23010	10	11
714320-22580	10	24
714320-22620	10	18
714320-22720	10	1
71432C-14010	7	1
714339-51310	16	1
714339-53200	16	22
714650-23600	10	16
714650-23610	10	30
714650-23620	10	32
X2114274200	20	18
X2114715500	20	4
X2114811000	20	3
X211485016	20	11

Parts No.	Fig. No.	Ref. No.
-----------	----------	----------