

OCR10-M78200EN

P R E F A C E

1.This parts catalog is a first edition of the L100N6FJ1P1AAFT Diesel engine.

	Parts catalog No.	Date of issue	Remarks
First edition	0CR10-G78200	Mar.,2009	No need

2.This parts catalog dose not contain the technical data needed for maintenance service.

3.The illustrations used in this parts catalog have been simplified for clarity.

4.The contents of this parts catalog are subject to change without notice.

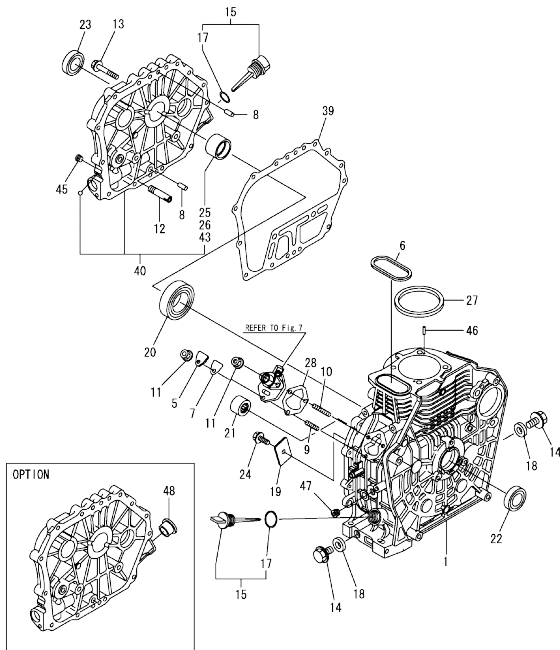
5.Be sure to use only Yanmar genuine parts for repairs. If imitation parts are used, it may cause engine defects.

Contents

0CR10-M78200

Fig. No.	Fig. Name	Fig. No.	Fig. Name
L100N SERIES			
1.	CYLINDER BLOCK		
2.	CYLINDER HEAD & BONNET		
3.	AIR CLEANER & MUFFLER		
4.	CRANKSHAFT,PISTON & CAMSHAFT		
5.	LUB.OIL PUMP & GOVERNOR		
6.	COOLING & STARTING DEVICE		
7.	F.I.PUMP & F.I.VALVE		
8.	FUEL TANK & FUEL PIPE		
9.	STARTING MOTOR & DYNAMO		
10.	TOOL,LABEL & GASKET SET		

Fig.1. CYLINDER BLOCK



(A)=L100N6FJ1P1AAFT
(B)=
(C)=

(D)=
(E)=
(F)=

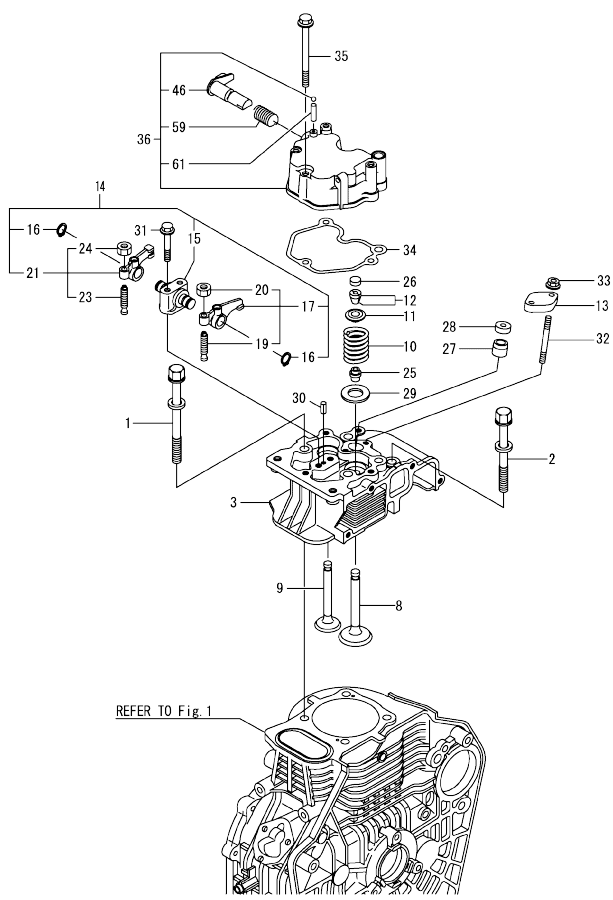
No.	Lev.	Parts No.	Description	Q'ty						I	R
				(A)	(B)	(C)	(D)	(E)	(F)		
1	1	114310-01020	BLOCK ASSY, CYLINDER	1							
5	1	114299-01830	COVER, PUMP	1							
6	1	114699-01380	O-RING, TAPPET	1							
7	1	114250-01841	GASKET, COVER	1							
8	1	114299-01600	PIN, PARALLEL 8X12	2							
9	1	26226-060182	STUD, M6X 18	1							
10	1	26226-060222	STUD, M6X 22	2							
11	1	26366-060002	NUT, M6	3							
12	1	114299-35150	PIPE, OIL INLET	1							
13	1	26106-080352	BOLT, M8X 35 PLATED	16							
14	1	114299-01690	PLUG, DRAIN 16	2							
15	1	114699-01760	CAP ASSY, OIL SUPPLY	1							
17	2	114299-01950	O-RING, 18	1							
18	1	22190-160002	WASHER, SEAL 16	2							
19	1	114299-02030	RETAINER, BEARING	1							
20	1	114650-02150	BEARING, HR6308G3C3	1							
21	1	24162-152220	BEARING, 152220	1							
22	1	24423-355008	SEAL, OIL TC355008	1							
23	1	24423-355008	SEAL, OIL TC355008	1							
24	1	26106-080122	BOLT, M8X 12 PLATED	1							
25	1	114650-02200	METAL, MAIN 0.25 US	1							1
26	1	114650-02210	METAL, MAIN 0.50 US	1							2
27	1	114695-01340	GASKET, HEAD T=0.5	1							
28	1	114299-01800	SHIM SET, PUMP	1							
39	1	114699-01410	GASKET, CASE COVER	1							
40	1	114310-01450	COVER, CRANK CASE D	1							
43	2	114650-02100	METAL, MAIN	1							3
45	1	23876-010000	PLUG, R01	1							
46	1	22312-040080	PIN, PARALLEL M4X 8	2							
47	1	23875-020000	PLUG, R02	1							
48	1	160110-01870	PLUG, RUBBER 22	1							4
48-1	1	114940-01870	PLUG, RUBBER 22	1							N

(A=*2019.02)

Remarks

- (1)REPAIR PART.
- (2)UNDER SIZED(U.S.=0.25)PART.
- (3)UNDER SIZED(U.S.=0.50)PART.
- (4)OPTION

Fig.2. CYLINDER HEAD & BONNET

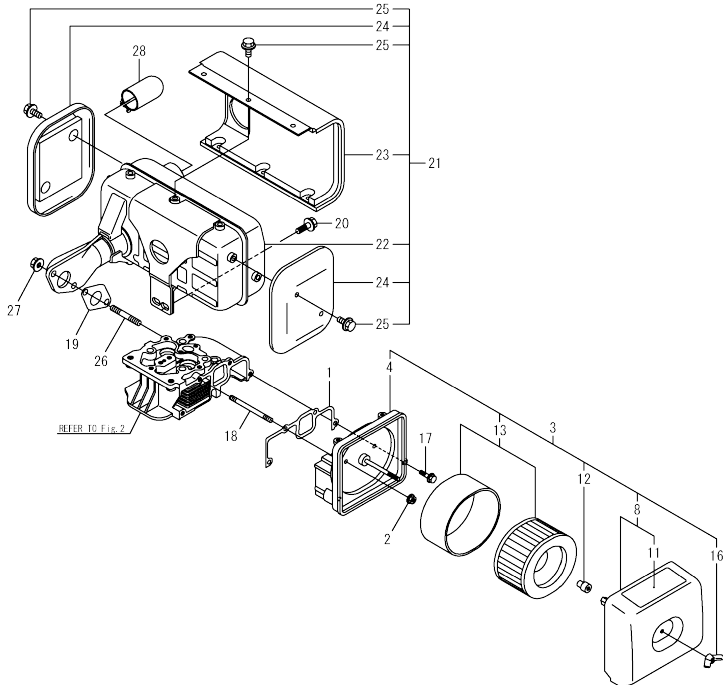


(A)=L100N6FJ1P1AAFT
(B)=
(C)=

(D)=
(E)=
(F)=

No.	Lev.	Parts No.	Description	Q'ty						I	R		
				(A)	(B)	(C)	(D)	(E)	(F)				
1	1	114310-01200	BOLT, CYL.HEAD A										
2	1	114310-01210	BOLT, CYL.HEAD B										
3	1	114320-11020	HEAD ASSY, CYLINDER										
8	1	114310-11100	VALVE, INTAKE										
9	1	114310-11110	VALVE, EXHAUST										
10	1	114310-11120	SPRING, VALVE										
11	1	114310-11180	RETAINER, SPRING										
12	1	114310-11190	COTTER										
13	1	114210-11901	RETAINER, NOZZLE										
14	1	114310-11250	SUPPORT ASSY, ROCKER										
15	2	114310-11260	SUPPORT, ROCKER ARM										
16	2	114310-11280	C TYPE RETAINING RIN										
17	2	114310-11650	ARM ASSY, INTAKE										
19	3	114299-11240	SCREW, ADJUSTING										
20	3	26856-060002	NUT, M6										
21	2	114310-11660	ARM ASSY, EXHAUST										
23	3	114299-11240	SCREW, ADJUSTING										
24	3	26856-060002	NUT, M6										
25	1	114650-11340	SEAL, VALVE STEM										
26	1	104211-11370	CAP, VALVE										
27	1	114240-11450	PROTECTOR, NOZZLE										
28	1	114240-11550	SEAT, NOZZLE										
29	1	114699-11600	WASHER										
30	1	22351-040008	PIN, SPRING 4.0X 8										
31	1	26106-080502	BOLT, M8X 50 PLATED										
32	1	26226-060552	STUD, M6X 55										
33	1	26366-060002	NUT, M6										
34	1	114310-11310	GASKET, BONNET										
35	1	26226-060552	STUD, M6X 55										
36	1	114310-11950	BONNET ASSY, HEAD										
46	2	114210-03590	SHAFT ASSY, DECOMP.										
59	2	114299-03640	SPRING, DECOMPRESSION										
61	2	22312-030160	PIN, PARALLEL M3X16										

Fig.3. AIR CLEANER & MUFFLER



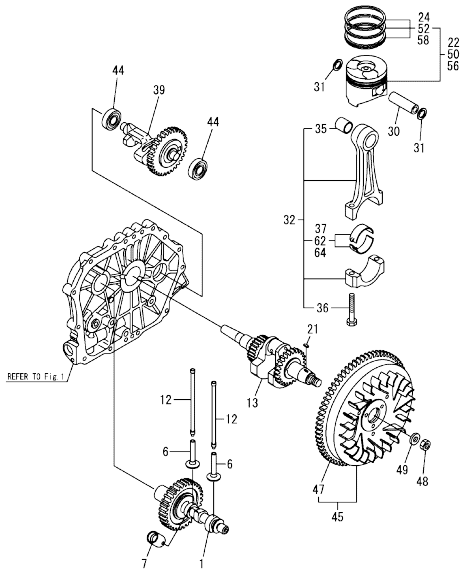
(A)=L100N6FJ1P1AAFT
(B)=
(C)=

(D)=
(E)=
(F)=

No.	Lev.	Parts No.	Description	Q'ty						I	R
				(A)	(B)	(C)	(D)	(E)	(F)		
1	1	114310-12210	GASKET, AIR CLEANER	1							
2	1	114299-12300	NUT	3							
3	1	114310-12511	CLEANER ASSY, AIR	1							
4	2	114310-12010	BODY ASSY, AIR CLNR	1							
8	2	114210-12500	COVER ASSY, AIR CLNR	1							
11	3	114210-12610	LABEL, AIR CLEANER	1							
12	2	114210-12560	NUT, WING	1							
13	2	114210-12590	ELEMENT ASSY	1							
16	2	114210-12600	LOCKING KNOB	1							
17	1	26106-060402	BOLT, M6X 40 PLATED	1							
18	1	26226-060352	STUD, M6X 35	3							
19	1	114310-13200	GASKET, MUFFLER	1							
20	1	26106-080202	BOLT, M8X 20 PLATED	2							
21	1	114699-13552	MUFFLER ASSY	1							
22	2	114699-13562	MUFFLER	1							
23	2	114699-13700	COVER A, MUFFLER	1							
24	2	114699-13710	COVER	2							
25	2	114699-13720	BOLT, M6	10							
26	1	26216-080182	STUD, M8X 18	2							
27	1	26366-080002	NUT, M8	2							
28	1	114699-13800	PIPE	1							
28-1	1	114320-13800	DEFLECTOR ASSY, EXH	1							N

(A)=ES07863

Fig.4. CRANKSHAFT,PISTON & CAMSHAFT



(A)=L100N6FJ1P1AAFT
(B)=
(C)=

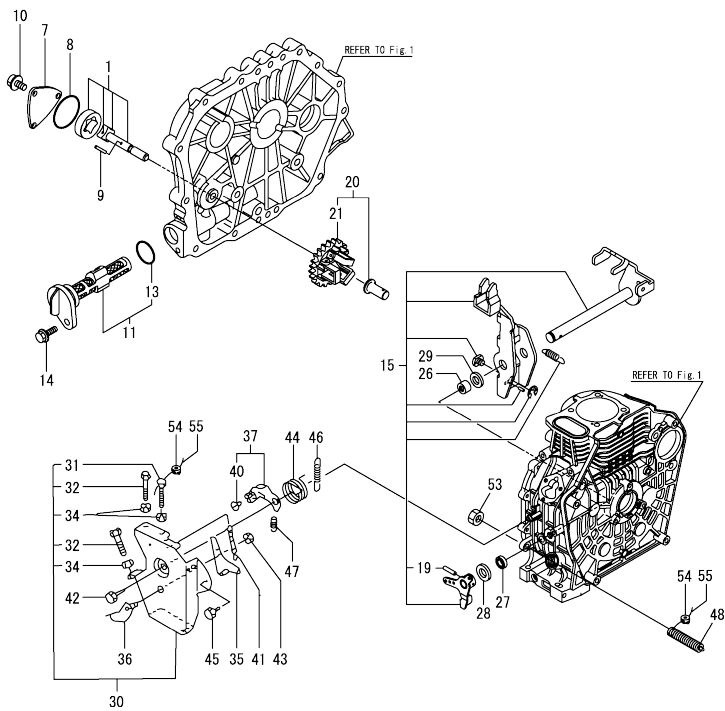
(D)=
(E)=
(F)=

No.	Lev.	Parts No.	Description	Q'ty						I	R
				(A)	(B)	(C)	(D)	(E)	(F)		
1	1	714320-14580	CAMSHAFT ASSY	1							
6	1	114310-14200	TAPPET	2							
7	1	114210-14300	TAPPET ASSY,ROLLER	1							
12	1	114310-14400	ROD ASSY, PUSH	2							
13	1	714310-21760	CRANKSHAFT ASSY,E-DI	1							
21	1	22512-050140	KEY, 5X 14	1							
22	1	714320-22720	PISTON ASSY, D	1							
24	2	714310-22500	RING SET, PISTON	1							
30	1	114699-22300	PIN, PISTON D=23	1							
31	1	129792-22400	CIRCLIP, 23	2							
32	1	71431C-23010	ROD ASSY, CONNECTING	1							
35	2	124060-23100	BEARING, PISTON PIN	1							
36	2	119810-23200	BOLT, CONNECTING ROD	2							
37	2	714650-23600	METAL ASSY,CRANK PIN	1							
39	1	714310-28510	SHAFT ASSY, BALANCER	1							
44	1	24101-063040	BEARING, BALL 6304C3	2							
45	1	114699-21420	FLYWHEEL, D.DE	1							
47	1	114699-21630	GEAR, RING	1							
48	1	114699-21220	NUT, WHEEL	1							
49	1	114699-21550	WASHER, FLYWHEEL	1							
50	1	714320-22620	PISTON ASSY, 0.25 OS	1							1
52	2	714310-22540	RING SET, PISTON .25	1							1
56	1	714320-22580	PISTON ASSY, 0.50 OS	1							2
58	2	714310-22550	RING SET, PISTON .50	1							2
62	1	714650-23610	METAL ASSY, PIN .25	1							3
64	1	714650-23620	METAL ASSY, PIN .50	1							4

Remarks

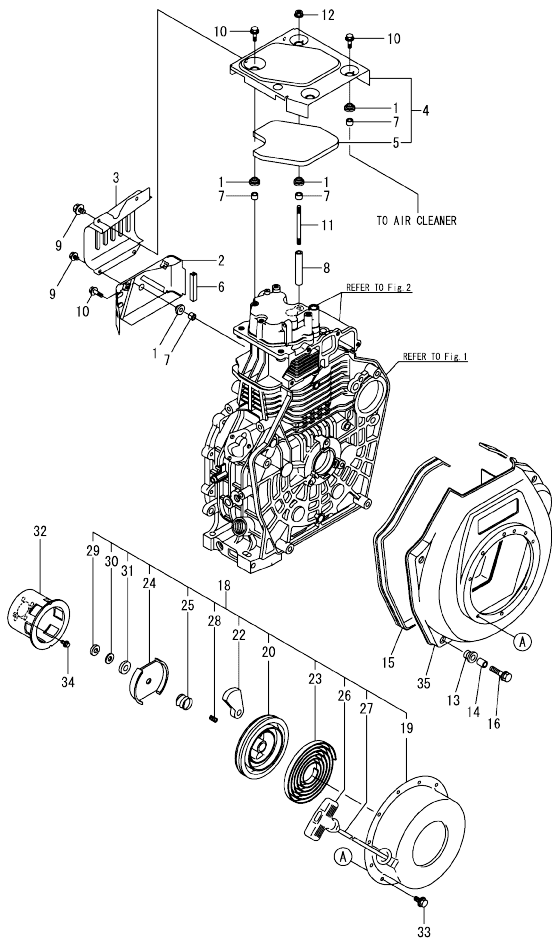
- (1)OVER SIZED(O.S.=0.25)PART.
- (2)OVER SIZED(O.S.=0.50)PART.
- (3)UNDER SIZED(U.S.=0.25)PART.
- (4)UNDER SIZED(U.S.=0.50)PART.

Fig.5. LUB.OIL PUMP & GOVERNOR



No.	Lev.	Parts No.	Description	Q'ty						I	R
				(A)	(B)	(C)	(D)	(E)	(F)		
1	1	114650-32010	PUMP ASSY, OIL	1							
7	1	114299-32070	COVER	1							
8	1	114299-32570	O-RING	1							
9	1	22312-030160	PIN, PARALLEL M3X16	1							
10	1	26106-060122	BOLT, M6X 12 PLATED	3							
11	1	114299-35110	FILTER ASSY, OIL	1							
13	2	24341-000224	O-RING, 1AS22.4	1							
14	1	26106-060162	BOLT, M6X 16 PLATED	1							
15	1	114311-61500	LEVER ASSY, GOVERNOR	1							
19	2	22322-030200	PIN, TAPER 3X20	1							
20	1	714210-61701	GOVERNOR ASSY	1							
21	2	114210-61290	WEIGHT ASSY, GOVERNOR	1							
26	1	114770-61520	BEARING, NEEDLE	2							
27	1	114299-61600	SEAL, OIL	1							
28	1	114770-61610	WASHER, THRUST	1							
29	1	114299-61190	WASHER	1							
30	1	714299-66901	SPEED CONTROL TP 01	1							
31	2	114299-66440	BOLT, ADJUSTING	1							
32	2	114299-67080	BOLT, ADJUSTING	2							
34	2	26757-060002	NUT, LOCK M6	3							
35	1	114299-66920	LEVER, STOP	1							
36	1	114299-66932	LEVER, STOP OUT	1							
37	1	114299-66940	LEVER ASSY, REGULATOR	1							
40	2	26117-050089	BOLT, M5X 8 PLATED	1							
41	1	114310-66950	SPRING, STOP TILLER	1							
42	1	26106-060302	BOLT, M6X 30 PLATED	1							
43	1	26757-080002	NUT, LOCK M8	1							
44	1	114299-66250	SPRING, RETURN	1							
45	1	26106-060142	BOLT, M6X 14 PLATED	1							
46	1	114320-66010	SPRING, REGULATOR	1							
47	1	114299-66200	SPRING, RETURN	1							
48	1	114320-66600	LIMITER ASSY, FUEL	1							
53	1	26776-100002	NUT, LOCK M10	1							
54	1	114780-61090	TIN	2							
55	1	22451-060000	WIRE, 0.6	2							

Fig.6. COOLING & STARTING DEVICE

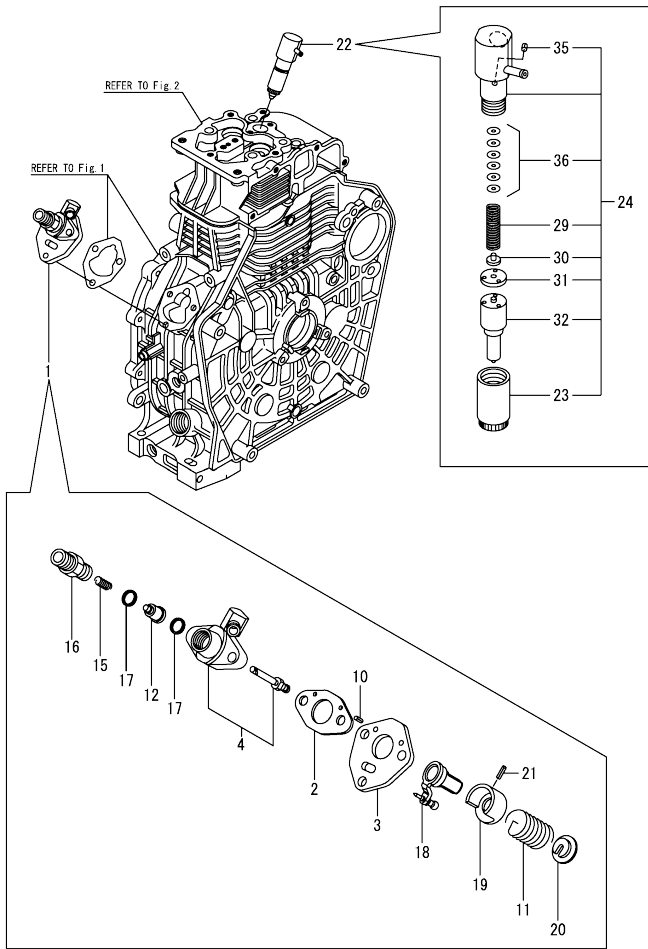


(A)=L100N6FJ1P1AAFT
(B)=
(C)=

(D)=
(E)=
(F)=

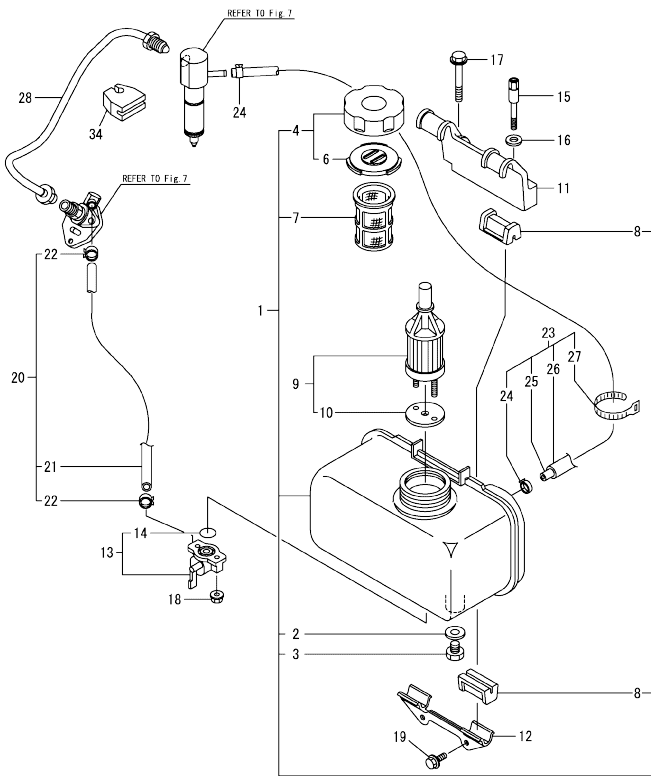
No.	Lev.	Parts No.	Description	Q'ty						I	R
				(A)	(B)	(C)	(D)	(E)	(F)		
1	1	114299-45220	GROMMET	5							
2	1	114310-45260	COVER B, SIDE	1							
3	1	114310-45270	COVER A, SIDE	1							
4	1	114310-45300	COVER, TOP	1							
5	2	114310-45310	DAMPER	1							
6	1	114399-45320	RUBBER, SEAL	1							
7	1	114399-45340	COLLAR	5							
8	1	114310-45350	SPACER, TOP COVER	1							
9	1	26106-060082	BOLT, M6X 8 PLATED	4							
10	1	26106-060202	BOLT, M6X 20 PLATED	4							
11	1	114310-45360	STUD BOLT, TOP COVER	1							
12	1	26366-060002	NUT, M6	1							
13	1	114299-45301	RUBBER, CUSHION	4							
14	1	114299-45310	COLLAR	4							
15	1	114699-45330	SEAL, FAN CASE	1							
16	1	114299-45350	BOLT, FAN CASE	4							
18	1	114699-76251	RECOIL ASSY	1							
19	2	114699-76510	CASE, STARTER	1							
20	2	114699-76521	REEL, RECOIL	1							
22	2	114699-76531	RATCHET	2							
23	2	114399-76540	SPRING, SPIRAL	1							
24	2	114699-76551	GUIDE, RATCHET	1							
25	2	114699-76560	SPRING, FRICTION	1							
26	2	114399-76620	KNOB, STARTER	1							
27	2	114699-76630	ROPE, STARTER	1							
28	2	114699-76650	SPRING, RETURN	1							
29	2	114699-76660	CIRCLIP	1							
30	2	114699-76670	WASHER	1							
31	2	114699-76680	WASHER	1							
32	1	114699-76592	PULLEY, STARTER	1							
33	1	26106-060082	BOLT, M6X 8 PLATED	4							
34	1	26106-060122	BOLT, M6X 12 PLATED	3							
35	1	114310-45100	FAN CASE	1							

Fig.7. F.I.PUMP & F.I.VALVE



No.	Lev.	Parts No.	Description	Q'ty						I	R
				(A)	(B)	(C)	(D)	(E)	(F)		
1	1	714339-51200	PUMP ASSY, INJECTION	1							
2	2	105546-51020	GASKET, PUMP BODY	1							
3	2	114250-51080	PLATE	1							
4	2	114339-51100	BODY ASSY, PUMP	1							
10	4	22351-020006	PIN, SPRING 2.0X 6	2							
11	2	114250-51160	SPRING, PLUNGER	1							
12	2	114650-51300	VALVE ASSY, DELIVERY	1							
15	2	105546-51330	SPRING, DELIVERY	1							
16	2	114250-51340	HOLDER, DELIVERY	1							
17	2	124550-51350	GASKET, DELIVERY	2							
18	2	114250-51600	LEVER, CONTROL	1							
19	2	114250-51640	SEAT, SPRING A	1							
20	2	114250-51650	SEAT, SPRING B	1							
21	2	22351-030008	PIN, SPRING 3.0X 8	1							
22	1	714339-53200	VALVE ASSY, INJECTION	1							
23	2	114250-53080	NUT, NOZZLE	1							
24	2	114339-53100	HOLDER ASSY, NOZZLE	1							
29	2	114250-53120	SPRING, NOZZLE	1							
30	2	114250-53130	SEAT, SPRING	1							
31	2	114250-53140	SPACER, VALVE STOP	1							
32	2	114339-53200	VALVE ASSY, INJECTION	1							
35	2	114250-53210	PIN, POSITIONING	2							
36	2	114250-53400	SHIM SET	1							

Fig.8. FUEL TANK & FUEL PIPE

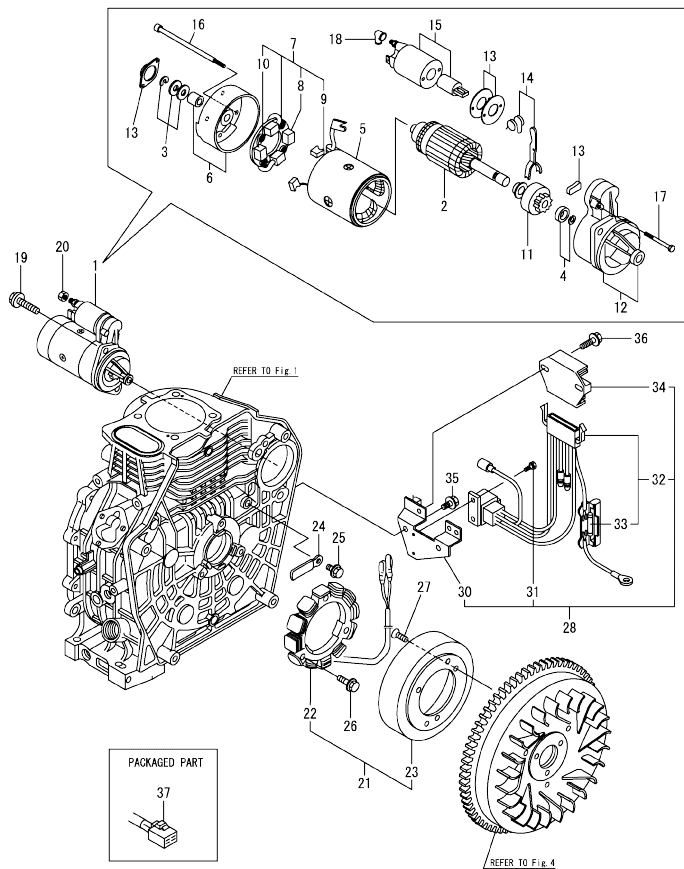


(A)=L100N6FJ1P1AAFT
(B)=
(C)=

(D)=
(E)=
(F)=

No.	Lev.	Parts No.	Description	Q'ty						I	R
				(A)	(B)	(C)	(D)	(E)	(F)		
1	1	714310-55700	TANK ASSY,FUEL	1							
2	3	23414-080000	GASKET, 8X1.0	1							
3	3	114299-55080	PLUG, DRAIN	1							
4	2	114288-55041	CAP ASSY	1							
6	3	114288-55081	VALVE	1							
7	2	114299-55100	FILTER, FUEL OIL	1							
8	2	114250-55201	DAMPER, FUEL TANK	4							
9	1	114250-55121	FILTER ASSY, FUEL	1							
10	2	114250-55130	GASKET	1							
11	1	114310-55230	STAY B, FUEL TANK	1							
12	1	114210-55210	STAY A, FUEL TANK	1							
13	1	114250-55301	COCK ASSY, FUEL	1							
14	2	24341-000150	O-RING, 1AS15.0	1							
15	1	114210-55810	BOLT, LIFTING	1							
16	1	22117-080000	WASHER, 8	1							
17	1	26106-080452	BOLT, M8X 45 PLATED	1							
18	1	26366-060002	NUT, M6	2							
19	1	26106-060162	BOLT, M6X 16 PLATED	2							
20	1	114780-59010	PIPE ASSY, FUEL L50	1							
21	2	114780-59060	PIPE, FUEL L=50	1							
22	2	23080-014000	CLAMP, 14	2							
23	1	114339-59300	PIPE ASSY, RETURN	1							
24	2	124722-59050	CLIP, HOSE 9	1							
25	2	114310-59060	PIPE, FUEL RETURN	1							
26	2	114310-59310	TUBE, PROTECTOR	1							
27	2	121750-59890	BAND, 140	1							
28	1	114310-59800	PIPE, FUEL INJECTION	1							
34	1	114699-59850	SUPPORT, PIPE	1							

Fig.9. STARTING MOTOR & DYNAMO

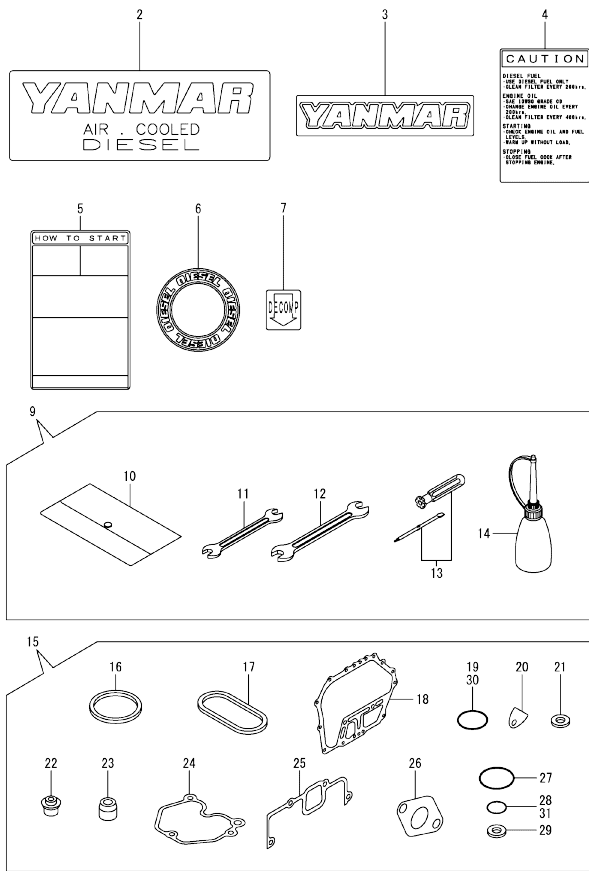


(A)=L100N6FJ1P1AAFT
(B)=
(C)=

(D)=
(E)=
(F)=

No.	Lev.	Parts No.	Description	Qty						I	R
				(A)	(B)	(C)	(D)	(E)	(F)		
1	1	114362-77011	MOTOR ASSY, STARTER	1							
2	2	114381-77110	ARMATURE	1							
3	2	X2114811000	WASHER KIT, THRUST	1							
4	2	X2114715500	STOPPER SET, PINION	1							
5	2	114381-77130	COIL ASSY, FIELD	1							
6	2	114381-77140	COVER, REAR	1							
7	2	114371-77160	HOLDER ASSY, BRUSH	1							
8	3	114371-79040	BRUSH (-)	2							
9	3	114371-79050	BRUSH (+)	1							
10	3	114371-79060	SPRING, BRUSH	4							
11	2	X211485016	PINION ASSY	1							
12	2	114381-77151	HOUSING ASSY, GEAR	1							
13	2	114371-77170	COVER KIT, DUST	1							
14	2	114371-77180	LEVER KIT, SHIFT	1							
15	2	124298-77020	SWITCH, MAGNETIC	1							
16	2	124195-77770	THROUGH BOLT	2							
17	2	114371-79070	BOLT M 6X 37	2							
18	2	X2114274200	COVER, TERMINAL	1							
19	1	26106-100302	BOLT, M10X 30 PLATED	2							
20	1	26716-080002	NUT, M8	1							
21	1	114399-78260	DYNAMO ASSY	1							
22	2	114399-78730	STATOR ASSY	1							
23	2	114399-78740	WHEEL, DYNAMO	1							
24	1	160710-78710	CLAMP, CORD	1							
25	1	26106-060122	BOLT, M6X 12 PLATED	2							
26	1	26106-060202	BOLT, M6X 20 PLATED	2							
27	1	26577-060142	SCREW, 6 X 14	3							
28	1	114399-77550	REG. & HARNESS ASSY	1							
30	3	114399-77400	BRACKET, HARNESS	1							
31	3	26023-040102	SCREW, M4X10	2							
32	3	114399-77540	HARNESS, WIRE	1							
33	4	114399-78000	FUSE(20A)	2							
34	2	114399-77710	REGULATOR	1							
35	1	26106-060122	BOLT, M6X 12 PLATED	2							
36	1	26106-060202	BOLT, M6X 20 PLATED	2							
37	1	114351-77520	COUPLER	1							

Fig.10. TOOL,LABEL & GASKET SET



(A)=L100N6FJ1P1AAFT
(B)=
(C)=

(D)=
(E)=
(F)=

No.	Lev.	Parts No.	Description	Qty						I	R	
				(A)	(B)	(C)	(D)	(E)	(F)			
2	1	114299-07100	LABEL, YANMAR MARK A	1								
3	1	114299-07110	LABEL, YANMAR MARK B	1								
4	1	114210-07120	LABEL, CAUTION	1								
5	1	114210-07130	LABEL, HOW TO START	1								
6	1	114299-07160	LABEL, DIESEL	1								
7	1	114210-07200	LABEL, DECOMPRESSION	1								
9	1	114299-92590	TOOL ASSY	1								
10	2	114299-92600	BAG, TOOL	1								
11	2	114299-92710	WRENCH	1								
12	2	114299-92720	WRENCH	1								
13	2	114299-92730	DRIVER	1								
14	2	114299-92740	FEEDER, OIL	1								
15	1	714320-92630	GASKET SET	1								1
16	2	114695-01340	GASKET, HEAD T=0.5	1								
17	2	114699-01380	O-RING, TAPPET	1								
18	2	114699-01410	GASKET, CASE COVER	1								
19	2	114299-01950	O-RING, 18	1								
20	2	114250-01841	GASKET, COVER	1								
21	2	22190-160002	WASHER, SEAL 16	2								
22	2	114650-11340	SEAL, VALVE STEM	2								
23	2	114240-11450	PROTECTOR, NOZZLE	1								
24	2	114310-11310	GASKET, BONNET	1								
25	2	114310-12210	GASKET, AIR CLEANER	1								
26	2	114310-13200	GASKET, MUFFLER	1								
27	2	114299-32570	O-RING, PUMP COVER	1								
28	2	24341-000100	O-RING, 1AS10.0	1								
29	2	23414-080000	GASKET, 8X1.0	1								
30	2	24341-000224	O-RING, 1AS22.4	1								
31	2	24341-000150	O-RING, 1AS15.0	1								

Remarks
(1)OPTIONAL

N:Old $\frac{100}{100}$ New, Q:Old $\frac{100}{100}$ New, R:Old $\frac{100}{100}$ New, S:Old $\frac{100}{100}$ New, W:Add, Z:Discontinued, F:Interchangeable by set, K:Qty Change
Copyright (C) YANMAR CO., LTD. All Rights Reserved.

Parts No. Index

Parts No.	Fig. No.	Ref. No.	Parts No.	Fig. No.	Ref. No.	Parts No.	Fig. No.	Ref. No.	Parts No.	Fig. No.	Ref. No.
104211-11370	2	26	114299-07160	10	6	114310-12511	3	3	114399-78740	9	23
105546-51020	7	2	114299-11240	2	19	114310-13200	3	19	114650-02100	1	43
105546-51330	7	15			23		10	26	114650-02150	1	20
114210-03590	2	46	114299-12300	3	2	114310-14200	4	6	114650-02200	1	25
114210-07120	10	4	114299-32070	5	7	114310-14400	4	12	114650-02210	1	26
114210-07130	10	5	114299-32570	5	8	114310-45100	6	35	114650-11340	2	25
114210-07200	10	7		10	27	114310-45260	6	2		10	22
114210-11901	2	13	114299-35110	5	11	114310-45270	6	3	114650-32010	5	1
114210-12500	3	8	114299-35150	1	12	114310-45300	6	4	114650-51300	7	12
114210-12560	3	12	114299-45220	6	1	114310-45310	6	5	114695-01340	1	27
114210-12590	3	13	114299-45301	6	13	114310-45350	6	8		10	16
114210-12600	3	16	114299-45310	6	14	114310-45360	6	11	114699-01380	1	6
114210-12610	3	11	114299-45350	6	16	114310-55230	8	11		10	17
114210-14300	4	7	114299-55080	8	3	114310-59060	8	25	114699-01410	1	39
114210-55210	8	12	114299-55100	8	7	114310-59310	8	26		10	18
114210-55810	8	15	114299-61190	5	29	114310-59800	8	28	114699-01760	1	15
114210-61290	5	21	114299-61600	5	27	114310-66950	5	41	114699-11600	2	29
114240-11450	2	27	114299-66200	5	47	114311-61500	5	15	114699-13552	3	21
	10	23	114299-66250	5	44	114320-11020	2	3	114699-13562	3	22
114240-11550	2	28	114299-66440	5	31	114320-13800	3	28	114699-13700	3	23
114250-01841	1	7	114299-66920	5	35	114320-66010	5	46	114699-13710	3	24
	10	20	114299-66932	5	36	114320-66600	5	48	114699-13720	3	25
114250-51080	7	3	114299-66940	5	37	114339-51100	7	4	114699-13800	3	28
114250-51160	7	11	114299-67080	5	32	114339-53100	7	24	114699-21220	4	48
114250-51340	7	16	114299-92590	10	9	114339-53200	7	32	114699-21420	4	45
114250-51600	7	18	114299-92600	10	10	114339-59300	8	23	114699-21550	4	49
114250-51640	7	19	114299-92710	10	11	114351-77520	9	37	114699-21630	4	47
114250-51650	7	20	114299-92720	10	12	114362-77011	9	1	114699-22300	4	30
114250-53080	7	23	114299-92730	10	13	114371-77160	9	7	114699-45330	6	15
114250-53120	7	29	114299-92740	10	14	114371-77170	9	13	114699-59850	8	34
114250-53130	7	30	114310-01020	1	1	114371-77180	9	14	114699-76251	6	18
114250-53140	7	31	114310-01200	2	1	114371-79040	9	8	114699-76510	6	19
114250-53210	7	35	114310-01210	2	2	114371-79050	9	9	114699-76521	6	20
114250-53400	7	36	114310-01450	1	40	114371-79060	9	10	114699-76531	6	22
114250-55121	8	9	114310-11100	2	8	114371-79070	9	17	114699-76551	6	24
114250-55130	8	10	114310-11110	2	9	114381-77110	9	2	114699-76560	6	25
114250-55201	8	8	114310-11120	2	10	114381-77130	9	5	114699-76592	6	32
114250-55301	8	13	114310-11180	2	11	114381-77140	9	6	114699-76630	6	27
114288-55041	8	4	114310-11190	2	12	114381-77151	9	12	114699-76650	6	28
114288-55081	8	6	114310-11250	2	14	114399-45320	6	6	114699-76660	6	29
114299-01600	1	8	114310-11260	2	15	114399-45340	6	7	114699-76670	6	30
114299-01690	1	14	114310-11280	2	16	114399-76540	6	23	114699-76680	6	31
114299-01800	1	28	114310-11310	2	34	114399-76620	6	26	114770-61520	5	26
114299-01830	1	5		10	24	114399-77400	9	30	114770-61610	5	28
114299-01950	1	17	114310-11650	2	17	114399-77540	9	32	114780-59010	8	20
	10	19	114310-11660	2	21	114399-77550	9	28	114780-59060	8	21
114299-02030	1	19	114310-11950	2	36	114399-77710	9	34	114780-61090	5	54
114299-03640	2	59	114310-12010	3	4	114399-78000	9	33	114940-01870	1	48
114299-07100	10	2	114310-12210	3	1	114399-78260	9	21			-1
114299-07110	10	3		10	25	114399-78730	9	22	119810-23200	4	36
									121750-59890	8	27

Parts No. Index

Parts No.	Fig. No.	Ref. No.
124060-23100	4	35
124195-77770	9	16
124298-77020	9	15
124550-51350	7	17
124722-59050	8	24
129792-22400	4	31
160110-01870	1	48
160710-78710	9	24
22117-080000	8	16
22190-160002	1	18
	10	21
22312-030160	2	61
	5	9
22312-040080	1	46
22322-030200	5	19
22351-020006	7	10
22351-030008	7	21
22351-040008	2	30
22451-060000	5	55
22512-050140	4	21
23080-014000	8	22
23414-080000	8	2
	10	29
23875-020000	1	47
23876-010000	1	45
24101-063040	4	44
24162-152220	1	21
24341-000100	10	28
24341-000150	8	14
	10	31
24341-000224	5	13
	10	30
24423-355008	1	22
		23
26023-040102	9	31
26106-060082	6	9
		33
26106-060122	5	10
	6	34
	9	25
		35
26106-060142	5	45
26106-060162	5	14
	8	19
26106-060202	6	10
	9	26
		36
26106-060302	5	42
26106-060402	3	17
26106-080122	1	24

Parts No.	Fig. No.	Ref. No.
26106-080202	3	20
26106-080352	1	13
26106-080452	8	17
26106-080502	2	31
26106-100302	9	19
26117-050089	5	40
26216-080182	3	26
26226-060182	1	9
26226-060222	1	10
26226-060352	3	18
26226-060552	2	32
		35
26366-060002	1	11
	2	33
	6	12
	8	18
26366-080002	3	27
26577-060142	9	27
26716-080002	9	20
26757-060002	5	34
26757-080002	5	43
26776-100002	5	53
26856-060002	2	20
		24
714210-61701	5	20
714299-66901	5	30
714310-21760	4	13
714310-22500	4	24
714310-22540	4	52
714310-22550	4	58
714310-28510	4	39
714310-55700	8	1
71431C-23010	4	32
714320-14580	4	1
714320-22580	4	56
714320-22620	4	50
714320-22720	4	22
714320-92630	10	15
714339-51200	7	1
714339-53200	7	22
714650-23600	4	37
714650-23610	4	62
714650-23620	4	64
X2114274200	9	18
X2114715500	9	4
X2114811000	9	3
X211485016	9	11

Parts No.	Fig. No.	Ref. No.
-----------	----------	----------

Parts No.	Fig. No.	Ref. No.
-----------	----------	----------