

0CW10-M67800EN

# P R E F A C E

1. This parts catalog is the 1st edition of L100N6FA1T1CAID for ITALIAN DEALERS.

Pub.No. : 0CW10-G67800

Published : September, 2010

2. Model name

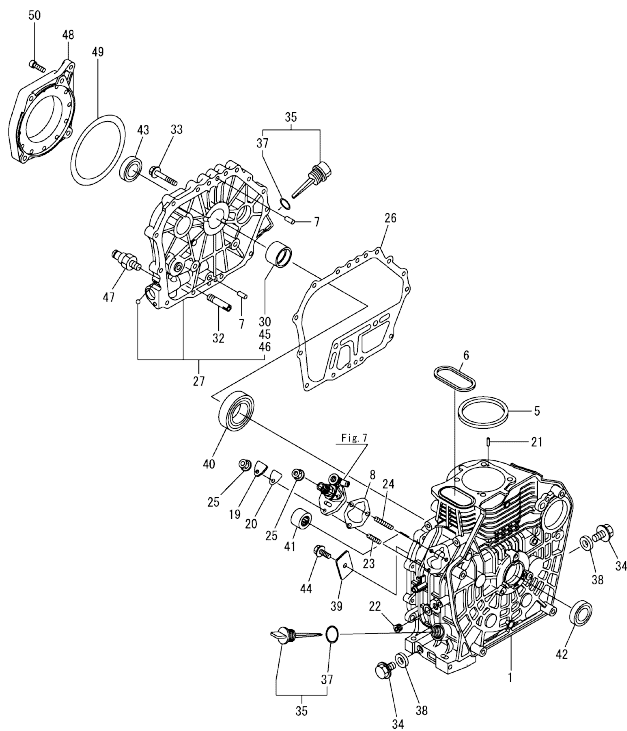
| Engine model    | Vehicle    | Vehicle made by |
|-----------------|------------|-----------------|
| L100N6FA1T1CAID | INDUSTRIAL | ITALIAN DEALERS |

## Contents

0CW10-M67800

| Fig. No. | Fig. Name                                  | Fig. No. | Fig. Name |
|----------|--|----------|-----------|
| ENGINE   |  |          |           |
| 1.       | CYLINDER BLOCK                             |          |           |
| 2.       | CYLINDER HEAD & BONNET                     |          |           |
| 3.       | AIR CLEANER & MUFFLER                      |          |           |
| 4.       | CRANKSHAFT, PISTON & CAMSHAFT              |          |           |
| 5.       | LUB. OIL PUMP & GOVERNOR                   |          |           |
| 6.       | COOLING & STARTING DEVICE                  |          |           |
| 7.       | FUEL INJECTION PUMP & FUEL INJECTION VALVE |          |           |
| 8.       | FUEL TANK & FUEL PIPE                      |          |           |
| 9.       | STARTER MOTOR & DYNAMO                     |          |           |
| 10.      | TOOL, LABEL & GASKET SET                   |          |           |

Fig.1. CYLINDER BLOCK



(A)=L100N6FA1T1CAID  
(B)=  
(C)=

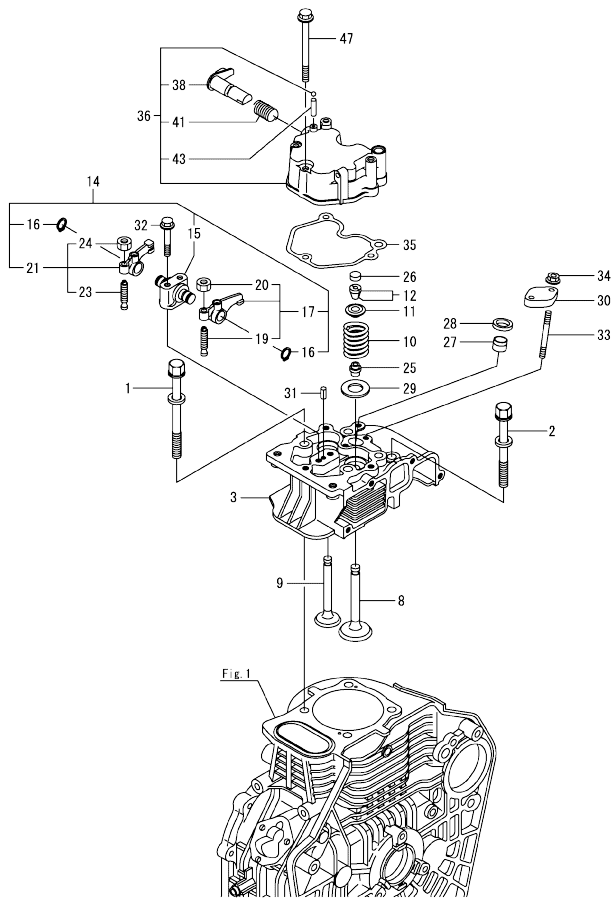
(D)=  
(E)=  
(F)=

| No. | Lev. | Parts No.    | Description          | Q'ty |     |     |     |     |     | I | R |
|-----|------|--------------|----------------------|------|-----|-----|-----|-----|-----|---|---|
|     |      |              |                      | (A)  | (B) | (C) | (D) | (E) | (F) |   |   |
| 1   | 1    | 114310-01020 | BLOCK ASSY, CYLINDER | 1    |     |     |     |     |     |   |   |
| 5   | 1    | 114695-01341 | GASKET, HEAD T=0.5   | 1    |     |     |     |     |     |   |   |
| 6   | 1    | 114699-01380 | O-RING, TAPPET       | 1    |     |     |     |     |     |   |   |
| 7   | 1    | 114299-01600 | PIN, PARALLEL 8X12   | 2    |     |     |     |     |     |   |   |
| 8   | 1    | 114299-01800 | SHIM SET, PUMP       | 1    |     |     |     |     |     |   |   |
| 19  | 1    | 114299-01830 | COVER, PUMP          | 1    |     |     |     |     |     |   |   |
| 20  | 1    | 114250-01841 | GASKET, COVER        | 1    |     |     |     |     |     |   |   |
| 21  | 1    | 22312-040080 | PIN, PARALLEL M4X 8  | 2    |     |     |     |     |     |   |   |
| 22  | 1    | 23875-020000 | PLUG, R02            | 1    |     |     |     |     |     |   |   |
| 23  | 1    | 26226-060182 | STUD, M6X 18         | 1    |     |     |     |     |     |   |   |
| 24  | 1    | 26226-060222 | STUD, M6X 22         | 2    |     |     |     |     |     |   |   |
| 25  | 1    | 26366-060002 | NUT, M6              | 3    |     |     |     |     |     |   |   |
| 26  | 1    | 114699-01410 | GASKET, CASE COVER   | 1    |     |     |     |     |     |   |   |
| 27  | 1    | 114310-01450 | COVER, CRANK CASE D  | 1    |     |     |     |     |     |   |   |
| 30  | 2    | 114650-02100 | METAL, MAIN          | 1    |     |     |     |     |     |   | 1 |
| 32  | 1    | 114299-35150 | PIPE, OIL INLET      | 1    |     |     |     |     |     |   |   |
| 33  | 1    | 26106-080352 | BOLT, M8X 35 PLATED  | 16   |     |     |     |     |     |   |   |
| 34  | 1    | 114299-01690 | PLUG, DRAIN 16       | 2    |     |     |     |     |     |   |   |
| 35  | 1    | 114699-01760 | CAP ASSY, OIL SUPPLY | 2    |     |     |     |     |     |   |   |
| 37  | 2    | 114299-01950 | O-RING, 18           | 2    |     |     |     |     |     |   |   |
| 38  | 1    | 22190-160002 | WASHER, SEAL 16      | 2    |     |     |     |     |     |   |   |
| 39  | 1    | 114299-02030 | RETAINER, BEARING    | 1    |     |     |     |     |     |   |   |
| 40  | 1    | 114650-02150 | BEARING, HR6308G3C3  | 1    |     |     |     |     |     |   |   |
| 41  | 1    | 24162-152220 | BEARING, 152220      | 1    |     |     |     |     |     |   |   |
| 42  | 1    | 24423-355008 | SEAL, OIL TC355008   | 1    |     |     |     |     |     |   |   |
| 43  | 1    | 24423-355008 | SEAL, OIL TC355008   | 1    |     |     |     |     |     |   |   |
| 44  | 1    | 26106-080122 | BOLT, M8X 12 PLATED  | 1    |     |     |     |     |     |   |   |
| 45  | 1    | 114650-02200 | METAL, MAIN 0.25 US  | 1    |     |     |     |     |     |   | 2 |
| 46  | 1    | 114650-02210 | METAL, MAIN 0.50 US  | 1    |     |     |     |     |     |   | 3 |
| 47  | 1    | 183250-39450 | SWITCH, PRESSURE     | 1    |     |     |     |     |     |   |   |
| 48  | 1    | 114399-21960 | FLANGE               | 1    |     |     |     |     |     |   |   |
| 49  | 1    | 114399-21980 | GASKET               | 1    |     |     |     |     |     |   |   |
| 50  | 1    | 26453-080252 | BOLT, M8X 25         | 4    |     |     |     |     |     |   |   |

Remarks

- (1) Spare parts.
- (2) Under-sized (U.S.=0.25) parts.
- (3) Under-sized (U.S.=0.50) parts.

Fig.2. CYLINDER HEAD & BONNET

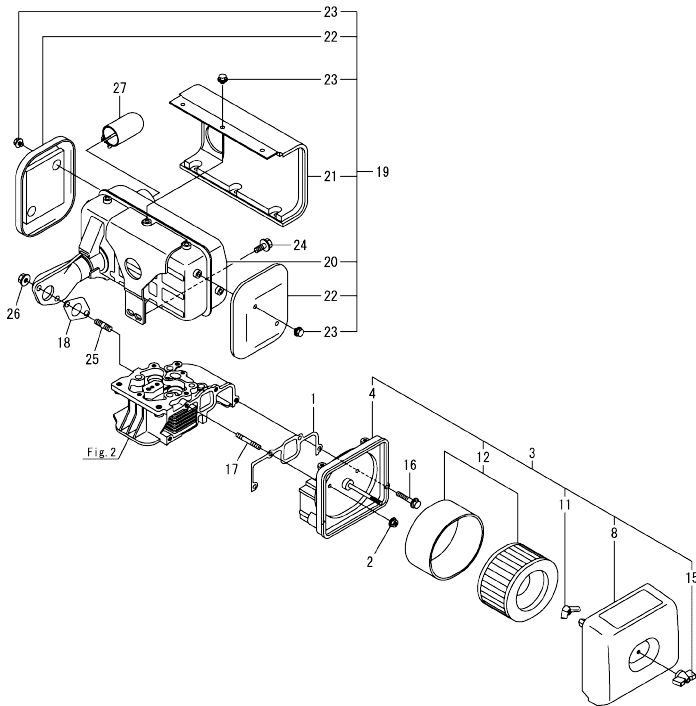


(A)=L100N6FA1T1CAID  
(B)=  
(C)=

(D)=  
(E)=  
(F)=

| No. | Lev. | Parts No.    | Description           | Q'ty |     |     |     |     |     | I | R |  |  |
|-----|------|--------------|-----------------------|------|-----|-----|-----|-----|-----|---|---|--|--|
|     |      |              |                       | (A)  | (B) | (C) | (D) | (E) | (F) |   |   |  |  |
| 1   | 1    | 114310-01200 | BOLT, HEAD A          |      |     |     |     |     |     |   |   |  |  |
| 2   | 1    | 114310-01210 | BOLT, HEAD B          |      |     |     |     |     |     |   |   |  |  |
| 3   | 1    | 114320-11020 | HEAD, CYLINDER        |      |     |     |     |     |     |   |   |  |  |
| 8   | 1    | 11431C-11100 | VALVE, INTAKE         |      |     |     |     |     |     |   |   |  |  |
| 9   | 1    | 11431C-11110 | VALVE, EXHAUST        |      |     |     |     |     |     |   |   |  |  |
| 10  | 1    | 114310-11120 | SPRING, VALVE         |      |     |     |     |     |     |   |   |  |  |
| 11  | 1    | 114310-11180 | RETAINER, SPRING      |      |     |     |     |     |     |   |   |  |  |
| 12  | 1    | 114310-11930 | COTTER ASSY           |      |     |     |     |     |     |   |   |  |  |
| 14  | 1    | 11431C-11250 | SUPPORT ASSY, ARM     |      |     |     |     |     |     |   |   |  |  |
| 15  | 2    | 11431C-11260 | SUPPORT, ROCKER ARM   |      |     |     |     |     |     |   |   |  |  |
| 16  | 2    | 22243-000150 | RING, 15              |      |     |     |     |     |     |   |   |  |  |
| 17  | 2    | 11431C-11650 | ARM, ROCKER           |      |     |     |     |     |     |   |   |  |  |
| 19  | 3    | 114250-11240 | SCREW, VALVE ADJUST   |      |     |     |     |     |     |   |   |  |  |
| 20  | 3    | 26856-060002 | NUT, M6               |      |     |     |     |     |     |   |   |  |  |
| 21  | 2    | 11431C-11660 | ARM, ROCKER           |      |     |     |     |     |     |   |   |  |  |
| 23  | 3    | 114250-11240 | SCREW, VALVE ADJUST   |      |     |     |     |     |     |   |   |  |  |
| 24  | 3    | 26856-060002 | NUT, M6               |      |     |     |     |     |     |   |   |  |  |
| 25  | 1    | 114650-11340 | SEAL, VALVE STEM      |      |     |     |     |     |     |   |   |  |  |
| 26  | 1    | 104211-11370 | CAP, VALVE            |      |     |     |     |     |     |   |   |  |  |
| 27  | 1    | 114240-11450 | PROTECTOR, NOZZLE     |      |     |     |     |     |     |   |   |  |  |
| 28  | 1    | 114240-11550 | SEAT, NOZZLE          |      |     |     |     |     |     |   |   |  |  |
| 29  | 1    | 114699-11600 | WASHER                |      |     |     |     |     |     |   |   |  |  |
| 30  | 1    | 114210-11901 | RETAINER, VALVE       |      |     |     |     |     |     |   |   |  |  |
| 31  | 1    | 22351-040008 | PIN, SPRING 4.0X 8    |      |     |     |     |     |     |   |   |  |  |
| 32  | 1    | 114310-11290 | BOLT, SUPPORT         |      |     |     |     |     |     |   |   |  |  |
| 33  | 1    | 26226-060552 | STUD, M6X 55          |      |     |     |     |     |     |   |   |  |  |
| 34  | 1    | 26366-060002 | NUT, M6               |      |     |     |     |     |     |   |   |  |  |
| 35  | 1    | 114310-11310 | GASKET, BONNET        |      |     |     |     |     |     |   |   |  |  |
| 36  | 1    | 114310-11950 | BONNET ASSY, HEAD     |      |     |     |     |     |     |   |   |  |  |
| 38  | 2    | 114210-03590 | DECOMPRESSION ASSY    |      |     |     |     |     |     |   |   |  |  |
| 41  | 2    | 114299-03640 | SPRING, DECOMPRESSION |      |     |     |     |     |     |   |   |  |  |
| 43  | 2    | 22312-030160 | PIN, PARALLEL M3X16   |      |     |     |     |     |     |   |   |  |  |
| 47  | 1    | 26106-060652 | BOLT, M6X 65 PLATED   |      |     |     |     |     |     |   |   |  |  |

Fig.3. AIR CLEANER & MUFFLER



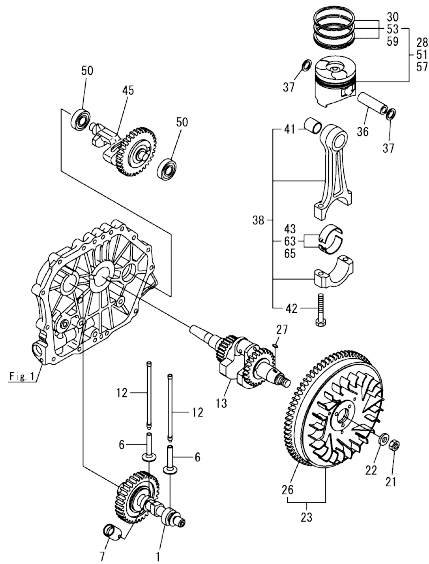
(A)=L100N6FA1T1CAID  
(B)=  
(C)=

(D)=  
(E)=  
(F)=

| No.  | Lev. | Parts No.    | Description         | Q'ty |     |     |     |     |     | I | R |
|------|------|--------------|---------------------|------|-----|-----|-----|-----|-----|---|---|
|      |      |              |                     | (A)  | (B) | (C) | (D) | (E) | (F) |   |   |
| 1    | 1    | 114310-12210 | GASKET, AIR CLEANER | 1    |     |     |     |     |     |   |   |
| 2    | 1    | 114299-12300 | NUT                 | 3    |     |     |     |     |     |   |   |
| 3    | 1    | 114320-12550 | CLEANER ASSY, AIR   | 1    |     |     |     |     |     |   |   |
| 4    | 2    | 114310-12010 | BODY ASSY, CLEANER  | 1    |     |     |     |     |     |   |   |
| 8    | 2    | 114220-12500 | COVER ASSY, CLEANER | 1    |     |     |     |     |     |   |   |
| 11   | 2    | 114210-12560 | NUT, WING           | 1    |     |     |     |     |     |   |   |
| 12   | 2    | 114210-12590 | ELEMENT ASSY        | 1    |     |     |     |     |     |   |   |
| 15   | 2    | 114210-12600 | KNOB                | 1    |     |     |     |     |     |   |   |
| 16   | 1    | 26106-060402 | BOLT, M6X 40 PLATED | 1    |     |     |     |     |     |   |   |
| 17   | 1    | 26226-060352 | STUD, M6X 35        | 3    |     |     |     |     |     |   |   |
| 18   | 1    | 114310-13200 | GASKET, MUFFLER     | 1    |     |     |     |     |     |   |   |
| 19   | 1    | 11431C-13550 | MUFFLER ASSY        | 1    |     |     |     |     |     |   |   |
| 20   | 2    | 11431C-13560 | MUFFLER             | 1    |     |     |     |     |     |   |   |
| 21   | 2    | 11431C-13700 | COVER, MUFFLER A    | 1    |     |     |     |     |     |   |   |
| 22   | 2    | 11431C-13710 | COVER               | 2    |     |     |     |     |     |   |   |
| 23   | 2    | 11431C-13720 | BOLT, M6            | 10   |     |     |     |     |     |   |   |
| 24   | 1    | 26106-080202 | BOLT, M8X 20 PLATED | 2    |     |     |     |     |     |   |   |
| 25   | 1    | 26216-080182 | STUD, M8X 18        | 2    |     |     |     |     |     |   |   |
| 26   | 1    | 26366-080002 | NUT, M8             | 2    |     |     |     |     |     |   |   |
| 27   | 1    | 114699-13800 | PIPE, MUFFLER       | 1    |     |     |     |     |     |   |   |
| 27-1 | 1    | 114320-13800 | DEFLECTOR ASSY, EXH | 1    |     |     |     |     |     |   | N |

(A)=ES04661)

Fig.4. CRANKSHAFT, PISTON & CAMSHAFT



(A)=L100N6FA1T1CAID  
(B)=  
(C)=

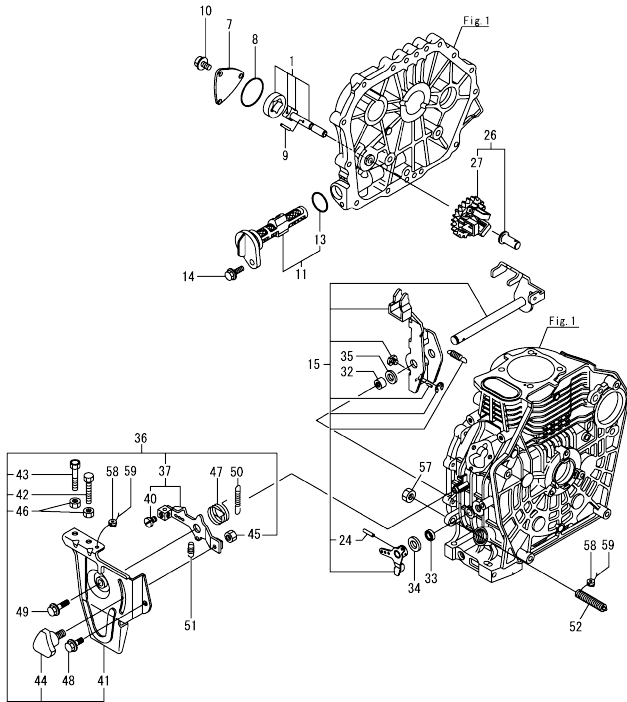
(D)=  
(E)=  
(F)=

| No. | Lev. | Parts No.      | Description          | Q'ty |     |     |     |     |     | I | R |
|-----|------|----------------|----------------------|------|-----|-----|-----|-----|-----|---|---|
|     |      |                |                      | (A)  | (B) | (C) | (D) | (E) | (F) |   |   |
| 1   | 1    | 71432C-14010   | CAMSHAFT ASSY        | 1    |     |     |     |     |     |   |   |
| 6   | 1    | 114310-14200   | TAPPET               | 2    |     |     |     |     |     |   |   |
| 7   | 1    | 114210-14300   | TAPPET ASSY,ROLLER   | 1    |     |     |     |     |     |   |   |
| 12  | 1    | 114310-14400   | ROD ASSY, PUSH       | 2    |     |     |     |     |     |   |   |
| 13  | 1    | 11431C-21760-1 | CRANKSHAFT ASSY,E-DI | 1    |     |     |     |     |     |   |   |
| 21  | 1    | 114699-21220   | NUT, WHEEL           | 1    |     |     |     |     |     |   |   |
| 22  | 1    | 114699-21550   | WASHER, FLYWHEEL     | 1    |     |     |     |     |     |   |   |
| 23  | 1    | 114699-21600   | FLYWHEEL ASSY, DE    | 1    |     |     |     |     |     |   |   |
| 26  | 2    | 114699-21630   | GEAR, RING           | 1    |     |     |     |     |     |   |   |
| 27  | 1    | 22512-050140   | KEY, 5X 14           | 1    |     |     |     |     |     |   |   |
| 28  | 1    | 714320-22720   | PISTON ASSY, D       | 1    |     |     |     |     |     |   |   |
| 30  | 2    | 714310-22500   | RING SET, PISTON     | 1    |     |     |     |     |     |   |   |
| 36  | 1    | 114699-22300   | PIN, PISTON D=23     | 1    |     |     |     |     |     |   |   |
| 37  | 1    | 114310-22500   | RING, SEEGER J23     | 2    |     |     |     |     |     |   |   |
| 38  | 1    | 71431C-23010   | ROD ASSY, CONNECTING | 1    |     |     |     |     |     |   |   |
| 41  | 2    | 124060-23100   | BEARING, PISTON PIN  | 1    |     |     |     |     |     |   |   |
| 42  | 2    | 119810-23200   | BOLT, CONNECTING ROD | 2    |     |     |     |     |     |   |   |
| 43  | 2    | 714650-23600   | METAL ASSY,CRANK PIN | 1    |     |     |     |     |     |   |   |
| 45  | 1    | 714310-28510   | SHAFT ASSY, BALANCER | 1    |     |     |     |     |     |   |   |
| 50  | 1    | 24101-063040   | BEARING, BALL 6304C3 | 2    |     |     |     |     |     |   |   |
| 51  | 1    | 714320-22620   | PISTON ASSY, 0.25 OS | 1    |     |     |     |     |     |   | 1 |
| 53  | 2    | 714310-22540   | RING SET, PISTON .25 | 1    |     |     |     |     |     |   | 1 |
| 57  | 1    | 714320-22580   | PISTON ASSY, 0.50 OS | 1    |     |     |     |     |     |   | 2 |
| 59  | 2    | 714310-22550   | RING SET, PISTON .50 | 1    |     |     |     |     |     |   | 2 |
| 63  | 1    | 714650-23610   | METAL ASSY, PIN .25  | 1    |     |     |     |     |     |   | 3 |
| 65  | 1    | 714650-23620   | METAL ASSY, PIN .50  | 1    |     |     |     |     |     |   | 4 |

Remarks

- (1)Over-sized(O.S.=0.25) parts.
- (2)Over-sized(O.S.=0.50) parts.
- (3)Under-sized(U.S.=0.25) parts.
- (4)Under-sized(U.S.=0.50) parts.

Fig.5. LUB. OIL PUMP & GOVERNOR



(A)=L100N6FA1T1CAID  
(B)=  
(C)=

(D)=  
(E)=  
(F)=

| No. | Lev. | Parts No.    | Description           | Q'ty |     |     |     |     |     | I | R |
|-----|------|--------------|-----------------------|------|-----|-----|-----|-----|-----|---|---|
|     |      |              |                       | (A)  | (B) | (C) | (D) | (E) | (F) |   |   |
| 1   | 1    | 114650-32010 | PUMP ASSY, OIL        | 1    |     |     |     |     |     |   |   |
| 7   | 1    | 114299-32070 | COVER, OIL PUMP       | 1    |     |     |     |     |     |   |   |
| 8   | 1    | 114299-32570 | O-RING, PUMP COVER    | 1    |     |     |     |     |     |   |   |
| 9   | 1    | 22312-030160 | PIN, PARALLEL M3X16   | 1    |     |     |     |     |     |   |   |
| 10  | 1    | 26106-060122 | BOLT, M6X 12 PLATED   | 3    |     |     |     |     |     |   |   |
| 11  | 1    | 114299-35110 | FILTER ASSY, OIL      | 1    |     |     |     |     |     |   |   |
| 13  | 2    | 24341-000224 | O-RING, 1AS22.4       | 1    |     |     |     |     |     |   |   |
| 14  | 1    | 26106-060162 | BOLT, M6X 16 PLATED   | 1    |     |     |     |     |     |   |   |
| 15  | 1    | 114311-61500 | LEVER ASSY, GOVERNOR  | 1    |     |     |     |     |     |   | 1 |
| 24  | 2    | 22322-030200 | PIN, TAPER 3X20       | 1    |     |     |     |     |     |   |   |
| 26  | 1    | 714210-61701 | GOVERNOR ASSY         | 1    |     |     |     |     |     |   |   |
| 27  | 2    | 114210-61290 | WEIGHT ASSY, GOVERNOR | 1    |     |     |     |     |     |   |   |
| 32  | 1    | 114770-61520 | BEARING, NEEDLE       | 2    |     |     |     |     |     |   |   |
| 33  | 1    | 114299-61600 | SEAL, OIL             | 1    |     |     |     |     |     |   |   |
| 34  | 1    | 114770-61610 | WASHER, THRUST        | 1    |     |     |     |     |     |   |   |
| 35  | 1    | 114299-61190 | WASHER, GOVERNOR      | 1    |     |     |     |     |     |   |   |
| 36  | 1    | 714210-66100 | CONTROL ASSY, SPEED   | 1    |     |     |     |     |     |   |   |
| 37  | 2    | 114210-66060 | HANDLE ASSY           | 1    |     |     |     |     |     |   |   |
| 40  | 3    | 26117-050089 | BOLT, M5X 8 PLATED    | 1    |     |     |     |     |     |   |   |
| 41  | 2    | 114210-66100 | BRACKET, REGULATOR    | 1    |     |     |     |     |     |   |   |
| 42  | 2    | 114299-66440 | BOLT, ADJUSTER        | 1    |     |     |     |     |     |   |   |
| 43  | 2    | 114299-67080 | BOLT, ADJUST          | 1    |     |     |     |     |     |   |   |
| 44  | 2    | 160725-78350 | BOLT, KNOB M6X15      | 1    |     |     |     |     |     |   |   |
| 45  | 2    | 26347-060002 | NUT, M6               | 1    |     |     |     |     |     |   |   |
| 46  | 2    | 26757-060002 | NUT, LOCK M6          | 2    |     |     |     |     |     |   |   |
| 47  | 1    | 114299-66250 | SPRING, RETURN        | 1    |     |     |     |     |     |   |   |
| 48  | 1    | 26106-060142 | BOLT, M6X 14 PLATED   | 1    |     |     |     |     |     |   |   |
| 49  | 1    | 26106-060202 | BOLT, M6X 20 PLATED   | 1    |     |     |     |     |     |   |   |
| 50  | 1    | 114320-66010 | SPRING, REGULATOR     | 1    |     |     |     |     |     |   |   |
| 51  | 1    | 114299-66200 | SPRING, RETURN        | 1    |     |     |     |     |     |   |   |
| 52  | 1    | 114320-66600 | LIMITER ASSY, FUEL    | 1    |     |     |     |     |     |   |   |
| 57  | 1    | 26776-100002 | NUT, LOCK M10         | 1    |     |     |     |     |     |   |   |
| 58  | 1    | 114780-61090 | TIN                   | 2    |     |     |     |     |     |   |   |
| 59  | 1    | 22451-060000 | WIRE, 0.6             | 2    |     |     |     |     |     |   |   |

Remarks

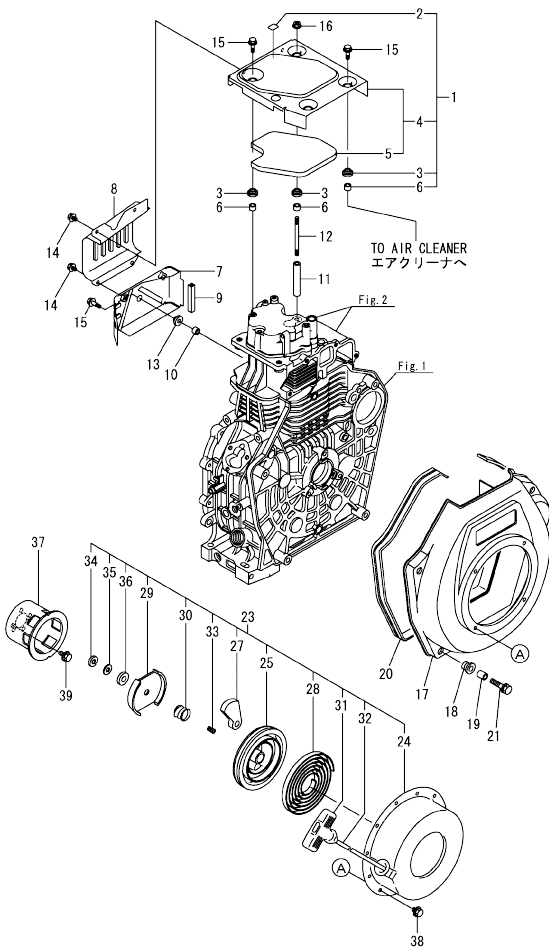
(1) On a guarantee of quality, component parts shall not be sold.



Fig.6. COOLING & STARTING DEVICE

(A)=L100N6FA1T1CAID  
(B)=  
(C)=

(D)=  
(E)=  
(F)=



| No. | Lev. | Parts No.    | Description          | Q'ty |     |     |     |     |     | I | R |
|-----|------|--------------|----------------------|------|-----|-----|-----|-----|-----|---|---|
|     |      |              |                      | (A)  | (B) | (C) | (D) | (E) | (F) |   |   |
| 1   | 1    | 11432C-45200 | TOP COVER ASSY       | 1    |     |     |     |     |     |   |   |
| 2   | 2    | 114220-07120 | LABEL, DECOMPRESSION | 1    |     |     |     |     |     |   |   |
| 3   | 2    | 183720-55210 | GROMMET, TANK        | 4    |     |     |     |     |     |   |   |
| 4   | 2    | 11431C-45300 | COVER                | 1    |     |     |     |     |     |   |   |
| 5   | 3    | 11431C-45310 | INSULATOR, NOISE     | 1    |     |     |     |     |     |   |   |
| 6   | 2    | 114350-45340 | COLLAR, COVER        | 4    |     |     |     |     |     |   |   |
| 7   | 1    | 11431C-45260 | COVER                | 1    |     |     |     |     |     |   |   |
| 8   | 1    | 11431C-45270 | COVER                | 1    |     |     |     |     |     |   |   |
| 9   | 1    | 114399-45320 | RUBBER, SEAL         | 1    |     |     |     |     |     |   |   |
| 10  | 1    | 114399-45340 | COLLAR               | 1    |     |     |     |     |     |   |   |
| 11  | 1    | 114310-45350 | SPACER, TOP COVER    | 1    |     |     |     |     |     |   |   |
| 12  | 1    | 114310-45360 | STUD, M6X77          | 1    |     |     |     |     |     |   |   |
| 13  | 1    | 114299-45220 | GROMMET, TANK        | 1    |     |     |     |     |     |   |   |
| 14  | 1    | 26106-060082 | BOLT, M6X 8 PLATED   | 4    |     |     |     |     |     |   |   |
| 15  | 1    | 26106-060202 | BOLT, M6X 20 PLATED  | 4    |     |     |     |     |     |   |   |
| 16  | 1    | 26366-060002 | NUT, M6              | 1    |     |     |     |     |     |   |   |
| 17  | 1    | 11431C-45100 | CASE, COOLING FAN    | 1    |     |     |     |     |     |   |   |
| 18  | 1    | 114299-45301 | RUBBER, FAN CASE     | 4    |     |     |     |     |     |   |   |
| 19  | 1    | 114299-45310 | COLLAR, FAN CASE     | 4    |     |     |     |     |     |   |   |
| 20  | 1    | 114699-45331 | SEAL, FAN CASE       | 1    |     |     |     |     |     |   |   |
| 21  | 1    | 114299-45350 | BOLT, FAN CASE       | 4    |     |     |     |     |     |   |   |
| 23  | 2    | 114699-76251 | STARTER ASSY, RECOIL | 1    |     |     |     |     |     |   |   |
| 24  | 3    | 114699-76510 | CASE, STARTER        | 1    |     |     |     |     |     |   |   |
| 25  | 3    | 114699-76521 | REEL, RECOIL STARTER | 1    |     |     |     |     |     |   |   |
| 27  | 3    | 114699-76531 | RATCHET              | 2    |     |     |     |     |     |   |   |
| 28  | 3    | 114399-76540 | SPRING, SPIRAL       | 1    |     |     |     |     |     |   |   |
| 29  | 3    | 114699-76551 | GUIDE, RATCHET       | 1    |     |     |     |     |     |   |   |
| 30  | 3    | 114699-76560 | SPRING, FRICTION     | 1    |     |     |     |     |     |   |   |
| 31  | 3    | 114399-76620 | KNOB, STARTER        | 1    |     |     |     |     |     |   |   |
| 32  | 3    | 114699-76630 | ROPE, STARTER        | 1    |     |     |     |     |     |   |   |
| 33  | 3    | 114699-76650 | SPRING, COMPRESSION  | 1    |     |     |     |     |     |   |   |
| 34  | 3    | 114699-76660 | RING, RETAINING      | 1    |     |     |     |     |     |   |   |
| 35  | 3    | 114699-76670 | WASHER               | 1    |     |     |     |     |     |   |   |
| 36  | 3    | 114699-76680 | WASHER               | 1    |     |     |     |     |     |   |   |
| 37  | 2    | 114699-76592 | PULLEY, STARTER      | 1    |     |     |     |     |     |   |   |
| 38  | 1    | 26106-060082 | BOLT, M6X 8 PLATED   | 4    |     |     |     |     |     |   |   |
| 39  | 1    | 26106-060122 | BOLT, M6X 12 PLATED  | 3    |     |     |     |     |     |   |   |

N:Old  $\frac{100}{100}$  New, Q:Old  $\frac{100}{100}$  New, R:Old  $\frac{100}{100}$  New, S:Old  $\frac{100}{100}$  New, W:Add, Z:Discontinued, F:Interchangeable by set, K:Q'ty Change  
Copyright (C) YANMAR CO., LTD. All Rights Reserved.

Fig.7. FUEL INJECTION PUMP & FUEL INJECTION VALVE

(A)=L100N6FA1T1CAID  
(B)=  
(C)=

(D)=  
(E)=  
(F)=

| No. | Lev. | Parts No.    | Description           | Q'ty |     |     |     |     |     | I | R |
|-----|------|--------------|-----------------------|------|-----|-----|-----|-----|-----|---|---|
|     |      |              |                       | (A)  | (B) | (C) | (D) | (E) | (F) |   |   |
| 1   | 1    | 714339-51300 | PUMP ASSY, INJECTION  | 1    |     |     |     |     |     |   |   |
| 2   | 2    | 105546-51020 | GASKET, PUMP BODY     | 1    |     |     |     |     |     |   |   |
| 3   | 2    | 114250-51080 | PLATE                 | 1    |     |     |     |     |     |   |   |
| 4   | 2    | 114339-51200 | BODY ASSY, PUMP       | 1    |     |     |     |     |     |   |   |
| 10  | 4    | 22351-020006 | PIN, SPRING 2.0X 6    | 2    |     |     |     |     |     |   |   |
| 11  | 2    | 114250-51160 | SPRING, PLUNGER       | 1    |     |     |     |     |     |   |   |
| 12  | 2    | 114650-51300 | VALVE ASSY, DELIVERY  | 1    |     |     |     |     |     |   |   |
| 15  | 2    | 105546-51330 | SPRING, DELIVERY      | 1    |     |     |     |     |     |   |   |
| 16  | 2    | 114250-51340 | HOLDER, DELIVERY      | 1    |     |     |     |     |     |   |   |
| 17  | 2    | 124550-51350 | GASKET, DELIVERY      | 2    |     |     |     |     |     |   |   |
| 18  | 2    | 114250-51600 | LEVER, CONTROL        | 1    |     |     |     |     |     |   |   |
| 19  | 2    | 114250-51640 | SEAT, SPRING A        | 1    |     |     |     |     |     |   |   |
| 20  | 2    | 114250-51650 | SEAT, SPRING B        | 1    |     |     |     |     |     |   |   |
| 21  | 2    | 22351-030008 | PIN, SPRING 3.0X 8    | 1    |     |     |     |     |     |   |   |
| 22  | 1    | 714339-53200 | VALVE ASSY, INJECTION | 1    |     |     |     |     |     |   |   |
| 23  | 2    | 114250-53080 | NUT, NOZZLE           | 1    |     |     |     |     |     |   |   |
| 24  | 2    | 114339-53100 | HOLDER ASSY, NOZZLE   | 1    |     |     |     |     |     |   |   |
| 28  | 3    | 22351-025005 | PIN, SPRING 2.5X 6    | 1    |     |     |     |     |     |   |   |
| 29  | 2    | 114250-53120 | SPRING, NOZZLE        | 1    |     |     |     |     |     |   |   |
| 30  | 2    | 114250-53130 | SEAT, SPRING          | 1    |     |     |     |     |     |   |   |
| 31  | 2    | 114250-53140 | SPACER, VALVE STOP    | 1    |     |     |     |     |     |   |   |
| 32  | 2    | 114339-53200 | VALVE ASSY, INJECTION | 1    |     |     |     |     |     |   |   |
| 35  | 2    | 114250-53210 | PIN, POSITIONING      | 2    |     |     |     |     |     |   |   |
| 36  | 2    | 114250-53400 | SHIM SET              | 1    |     |     |     |     |     |   |   |

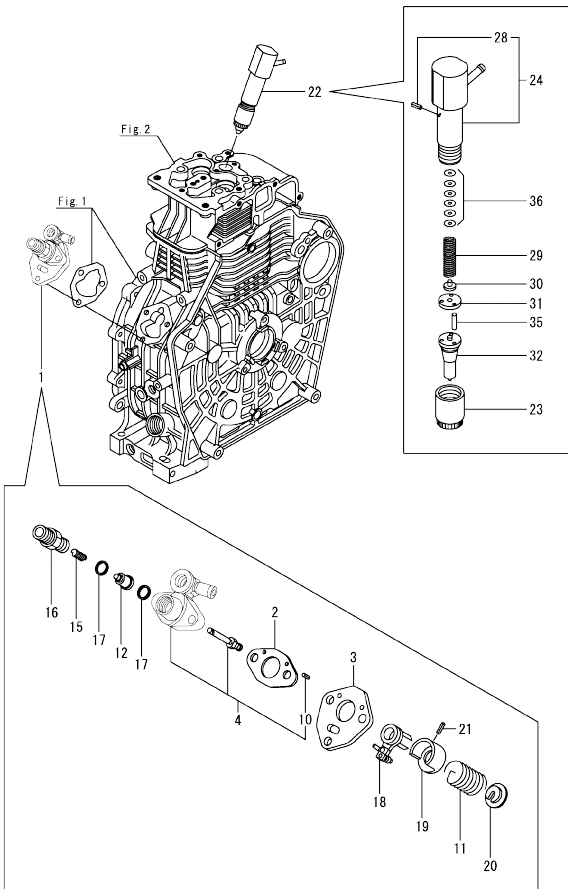
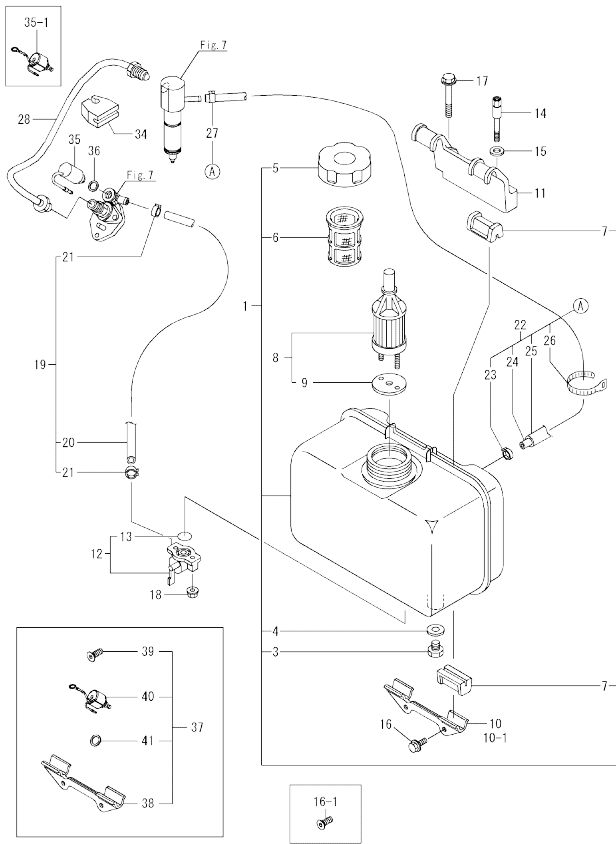


Fig.8. FUEL TANK & FUEL PIPE



(A)=L100N6FA1T1CAID  
(B)=  
(C)=

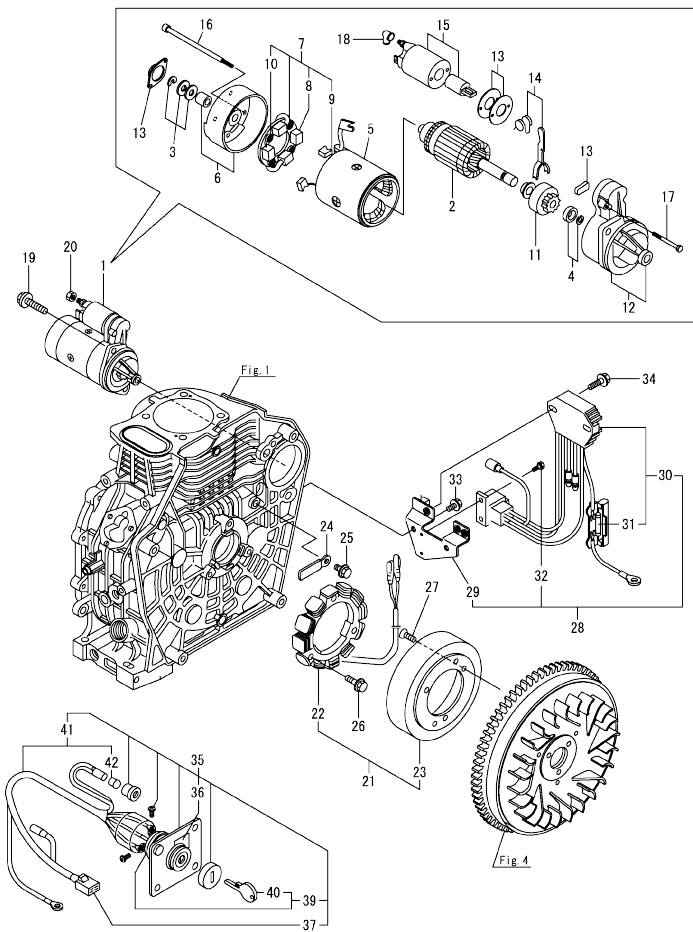
(D)=  
(E)=  
(F)=

| No.         | Lev. | Parts No.    | Description           | Q'ty |     |     |     |     |     | I | R   |
|-------------|------|--------------|-----------------------|------|-----|-----|-----|-----|-----|---|-----|
|             |      |              |                       | (A)  | (B) | (C) | (D) | (E) | (F) |   |     |
| 1           | 1    | 11431C-55710 | TANK ASSY, FUEL       | 1    |     |     |     |     |     |   |     |
| 3           | 3    | 114299-55080 | PLUG, DRAIN           | 1    |     |     |     |     |     |   |     |
| 4           | 3    | 23414-080000 | GASKET, 8X1.0         | 1    |     |     |     |     |     |   |     |
| 5           | 2    | 114299-55040 | CAP ASSY, FUEL TANK   | 1    |     |     |     |     |     |   |     |
| 6           | 2    | 114299-55100 | ELEMENT, FUEL FILTER  | 1    |     |     |     |     |     |   |     |
| 7           | 2    | 114250-55201 | DAMPER, FUEL TANK     | 4    |     |     |     |     |     |   |     |
| 8           | 1    | 114250-55121 | FILTER ASSY, FUEL     | 1    |     |     |     |     |     |   |     |
| 9           | 2    | 114250-55130 | GASKET                | 1    |     |     |     |     |     |   |     |
| 10          | 1    | 114210-55210 | STAY, FUEL TANK A     | 1    |     |     |     |     |     |   |     |
| 10-1        | 1    | 114210-55220 | STAY, FUEL TANK A     | 1    |     |     |     |     |     |   | F 1 |
| (A=ES87182) |      |              |                       |      |     |     |     |     |     |   |     |
| 11          | 1    | 114310-55230 | STAY, FUEL TANK B     | 1    |     |     |     |     |     |   |     |
| 12          | 1    | 114250-55301 | COCK ASSY, FUEL       | 1    |     |     |     |     |     |   |     |
| 13          | 2    | 24341-000150 | O-RING, 1AS15.0       | 1    |     |     |     |     |     |   |     |
| 14          | 1    | 114210-55810 | BOLT, LIFTING         | 1    |     |     |     |     |     |   |     |
| 15          | 1    | 22117-080000 | WASHER, 8             | 1    |     |     |     |     |     |   |     |
| 16          | 1    | 26106-060162 | BOLT, M6X 16 PLATED   | 2    |     |     |     |     |     |   |     |
| 16-1        | 1    | 114210-55300 | BOLT                  | 2    |     |     |     |     |     |   | F 1 |
| (A=ES87182) |      |              |                       |      |     |     |     |     |     |   |     |
| 17          | 1    | 26106-080452 | BOLT, M8X 45 PLATED   | 1    |     |     |     |     |     |   |     |
| 18          | 1    | 26366-060002 | NUT, M6               | 2    |     |     |     |     |     |   |     |
| 19          | 1    | 114780-59010 | PIPE ASSY, FUEL L50   | 1    |     |     |     |     |     |   |     |
| 20          | 2    | 114780-59060 | PIPE, FUEL L=50       | 1    |     |     |     |     |     |   |     |
| 21          | 2    | 23080-014000 | CLAMP, 14             | 2    |     |     |     |     |     |   |     |
| 22          | 1    | 114339-59300 | PIPE ASSY, RETURN     | 1    |     |     |     |     |     |   |     |
| 22-1        | 1    | 114339-59301 | PIPE ASSY, FO RETURN  | 1    |     |     |     |     |     |   | N   |
| (A=2019.03) |      |              |                       |      |     |     |     |     |     |   |     |
| 23          | 2    | 124722-59050 | CLAMP, HOSE 9         | 1    |     |     |     |     |     |   |     |
| 24          | 2    | 114310-59060 | PIPE, FUEL RETURN     | 1    |     |     |     |     |     |   |     |
| 24-1        | 2    | 114310-59061 | PIPE, FO RETURN       | 1    |     |     |     |     |     |   | N   |
| (A=2019.03) |      |              |                       |      |     |     |     |     |     |   |     |
| 25          | 2    | 114310-59310 | HOSE, PROTECTION      | 1    |     |     |     |     |     |   |     |
| 26          | 2    | 121750-59890 | BAND, NYLON           | 1    |     |     |     |     |     |   |     |
| 27          | 2    | 124066-59100 | CLAMP, HOSE 8         | 1    |     |     |     |     |     |   |     |
| 28          | 1    | 114310-59800 | PIPE ASSY, INJECTION  | 1    |     |     |     |     |     |   |     |
| 34          | 1    | 114699-59850 | SUPPORT, PIPE         | 1    |     |     |     |     |     |   |     |
| 35          | 1    | 114110-76901 | SOLENOID, MAGNETIC    | 1    |     |     |     |     |     |   |     |
| 35-1        | 1    | 114110-76910 | VALVE ASSY, FUEL CUT  | 1    |     |     |     |     |     |   | F 1 |
| (A=ES87182) |      |              |                       |      |     |     |     |     |     |   |     |
| 36          | 1    | 114299-83020 | GASKET, 10X1.2        | 1    |     |     |     |     |     |   |     |
| 37          | 1    | 114210-95900 | SPARE KIT, FUEL VALVE | 1    |     |     |     |     |     |   | W 2 |
| (A=ES87182) |      |              |                       |      |     |     |     |     |     |   |     |
| 38          | 2    | 114210-55220 | STAY, FUEL TANK A     | 1    |     |     |     |     |     |   | W   |
| (A=ES87182) |      |              |                       |      |     |     |     |     |     |   |     |
| 39          | 2    | 114210-55300 | BOLT                  | 2    |     |     |     |     |     |   | W   |
| (A=ES87182) |      |              |                       |      |     |     |     |     |     |   |     |
| 40          | 2    | 114110-76910 | VALVE ASSY, FUEL CUT  | 1    |     |     |     |     |     |   | W   |
| (A=ES87182) |      |              |                       |      |     |     |     |     |     |   |     |
| 41          | 2    | 114299-83020 | GASKET, 10X1.2        | 1    |     |     |     |     |     |   | W   |
| (A=ES87182) |      |              |                       |      |     |     |     |     |     |   |     |

Remarks

- (1) Interchangeable by simultaneous replacement with No.10-1, 16-1 & No.35-1.
- (2) These parts are sold as a set with No.37.

Fig.9. STARTER MOTOR & DYNAMO



(A)=L100N6FA1T1CAID  
(B)=  
(C)=

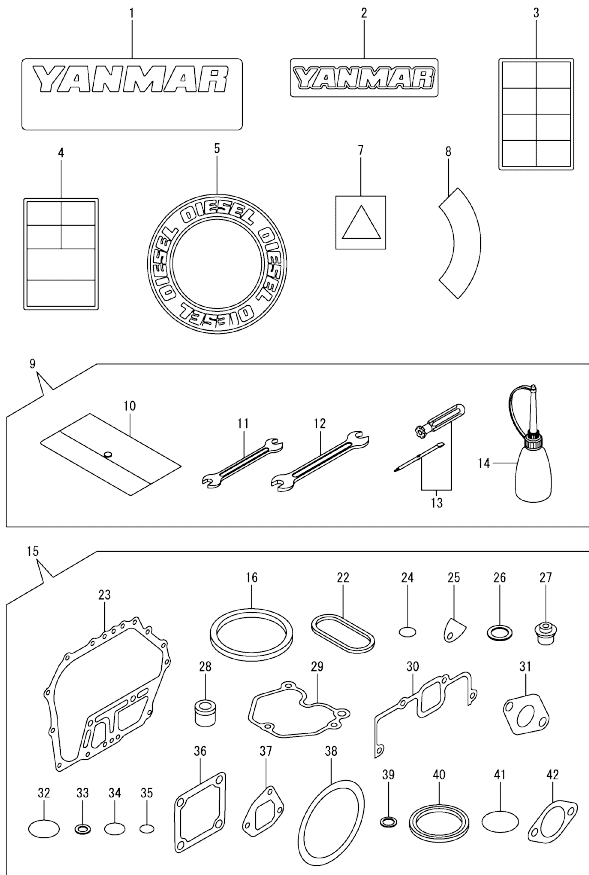
(D)=  
(E)=  
(F)=

| No. | Lev. | Parts No.    | Description          | Qty |     |     |     |     |     | I | R |
|-----|------|--------------|----------------------|-----|-----|-----|-----|-----|-----|---|---|
|     |      |              |                      | (A) | (B) | (C) | (D) | (E) | (F) |   |   |
| 1   | 1    | 114362-77011 | STARTER ASSY, D      | 1   |     |     |     |     |     |   |   |
| 2   | 2    | 114381-77110 | ARMATURE             | 1   |     |     |     |     |     |   |   |
| 3   | 2    | X2114811000  | WASHER KIT, THRUST   | 1   |     |     |     |     |     |   |   |
| 4   | 2    | X2114715500  | STOPPER SET, PINION  | 1   |     |     |     |     |     |   |   |
| 5   | 2    | 114381-77130 | COIL ASSY, FIELD     | 1   |     |     |     |     |     |   |   |
| 6   | 2    | 114381-77140 | COVER                | 1   |     |     |     |     |     |   |   |
| 7   | 2    | 114371-77160 | HOLDER ASSY, BRUSH   | 1   |     |     |     |     |     |   |   |
| 8   | 3    | 114371-79040 | BRUSH, -             | 2   |     |     |     |     |     |   |   |
| 9   | 3    | 114371-79050 | BRUSH SET, +         | 1   |     |     |     |     |     |   |   |
| 10  | 3    | 114371-79060 | SPRING, BRUSH        | 4   |     |     |     |     |     |   |   |
| 11  | 2    | X211485016   | PINION ASSY          | 1   |     |     |     |     |     |   |   |
| 12  | 2    | 114381-77151 | CASE ASSY, GEAR      | 1   |     |     |     |     |     |   |   |
| 13  | 2    | 114371-77170 | COVER KIT, DUST      | 1   |     |     |     |     |     |   |   |
| 14  | 2    | 114371-77180 | LEVER KIT, SHIFT     | 1   |     |     |     |     |     |   |   |
| 15  | 2    | 124298-77020 | SWITCH, MAGNET       | 1   |     |     |     |     |     |   |   |
| 16  | 2    | 124195-77770 | BOLT, THROUGH        | 2   |     |     |     |     |     |   |   |
| 17  | 2    | 114371-79070 | BOLT, M6             | 2   |     |     |     |     |     |   |   |
| 18  | 2    | X2114274200  | COVER, TERMINAL      | 1   |     |     |     |     |     |   |   |
| 19  | 1    | 26106-100302 | BOLT, M10X 30 PLATED | 2   |     |     |     |     |     |   |   |
| 20  | 1    | 26716-080002 | NUT, M8              | 1   |     |     |     |     |     |   |   |
| 21  | 1    | 114399-78280 | DINAMO ASSY, 15A     | 1   |     |     |     |     |     |   |   |
| 22  | 2    | 114399-78770 | STATOR ASSY          | 1   |     |     |     |     |     |   |   |
| 23  | 2    | 114399-78780 | WHEEL, DYNAMO        | 1   |     |     |     |     |     |   |   |
| 24  | 1    | 160710-78710 | CLAMP, CORD          | 1   |     |     |     |     |     |   |   |
| 25  | 1    | 26106-060122 | BOLT, M6X 12 PLATED  | 1   |     |     |     |     |     |   |   |
| 26  | 1    | 26106-060202 | BOLT, M6X 20 PLATED  | 3   |     |     |     |     |     |   |   |
| 27  | 1    | 26577-060142 | SCREW M 6X 14        | 3   |     |     |     |     |     |   |   |
| 28  | 1    | 114399-77560 | REGULATOR ASSY       | 1   |     |     |     |     |     |   |   |
| 29  | 2    | 114399-77410 | BRACKET, HARNESS     | 1   |     |     |     |     |     |   |   |
| 30  | 2    | 114399-77720 | REGULATOR            | 1   |     |     |     |     |     |   |   |
| 31  | 3    | 114399-78000 | FUSE, 20A            | 1   |     |     |     |     |     |   |   |
| 32  | 2    | 26023-040102 | SCREW, M4X10         | 2   |     |     |     |     |     |   |   |
| 33  | 1    | 26106-060122 | BOLT, M6X 12 PLATED  | 2   |     |     |     |     |     |   |   |
| 34  | 1    | 26106-060202 | BOLT, M6X 20 PLATED  | 2   |     |     |     |     |     |   |   |
| 35  | 1    | 114220-77500 | PANEL ASSY, SWITCH   | 1   |     |     |     |     |     |   |   |
| 36  | 2    | 114220-07170 | LABEL, START SWITCH  | 1   |     |     |     |     |     |   |   |
| 37  | 2    | 114351-77520 | COUPLER              | 1   |     |     |     |     |     |   |   |
| 39  | 2    | 106100-77620 | SWITCH, KEY          | 1   |     |     |     |     |     |   |   |
| 40  | 3    | 106100-77630 | KEY, SWITCH          | 1   |     |     |     |     |     |   |   |
| 41  | 2    | 114351-77700 | HARNESS, WIRE        | 1   |     |     |     |     |     |   |   |
| 42  | 3    | 29220-083200 | BULB (12V/3.4W)      | 1   |     |     |     |     |     |   |   |

Fig.10. TOOL, LABEL & GASKET SET

(A)=L100N6FA1T1CAID  
(B)=  
(C)=

(D)=  
(E)=  
(F)=



| No. | Lev. | Parts No.    | Description          | Q'ty |     |     |     |     |     | I | R |
|-----|------|--------------|----------------------|------|-----|-----|-----|-----|-----|---|---|
|     |      |              |                      | (A)  | (B) | (C) | (D) | (E) | (F) |   |   |
| 1   | 1    | 114299-07100 | LABEL, YANMAR MARK A | 1    |     |     |     |     |     |   |   |
| 2   | 1    | 114299-07110 | LABEL, YANMAR MARK B | 1    |     |     |     |     |     |   |   |
| 3   | 1    | 114220-07100 | LABEL, CAUTION       | 1    |     |     |     |     |     |   |   |
| 4   | 1    | 114220-07110 | LABEL, HOW TO START  | 1    |     |     |     |     |     |   |   |
| 5   | 1    | 114299-07160 | LABEL, DIESEL        | 1    |     |     |     |     |     |   |   |
| 7   | 1    | 114220-07130 | LABEL, HOT SURFACE   | 1    |     |     |     |     |     |   |   |
| 8   | 1    | 114220-07160 | LABEL, THAI          | 1    |     |     |     |     |     |   |   |
| 9   | 1    | 114299-92590 | TOOL ASSY            | 1    |     |     |     |     |     |   |   |
| 10  | 2    | 114299-92600 | BAG, TOOL            | 1    |     |     |     |     |     |   |   |
| 11  | 2    | 114299-92710 | WRENCH               | 1    |     |     |     |     |     |   |   |
| 12  | 2    | 114299-92720 | WRENCH               | 1    |     |     |     |     |     |   |   |
| 13  | 2    | 114299-92730 | DRIVER               | 1    |     |     |     |     |     |   |   |
| 14  | 2    | 114299-92740 | FEEDER, OIL          | 1    |     |     |     |     |     |   |   |
| 15  | 1    | 114320-92600 | GASKET SET           | 1    |     |     |     |     |     |   | 1 |
| 16  | 2    | 114695-01330 | GASKET, HEAD         | 1    |     |     |     |     |     |   |   |
| 22  | 2    | 114699-01380 | O-RING, TAPPET       | 1    |     |     |     |     |     |   |   |
| 23  | 2    | 114699-01410 | GASKET, CASE COVER   | 1    |     |     |     |     |     |   |   |
| 24  | 2    | 114299-01950 | O-RING, 18           | 2    |     |     |     |     |     |   |   |
| 25  | 2    | 114250-01841 | GASKET, COVER        | 1    |     |     |     |     |     |   |   |
| 26  | 2    | 22190-160002 | WASHER, SEAL 16      | 2    |     |     |     |     |     |   |   |
| 27  | 2    | 114650-11340 | SEAL, VALVE STEM     | 2    |     |     |     |     |     |   |   |
| 28  | 2    | 114771-11461 | GASKET, NOZZLE       | 1    |     |     |     |     |     |   |   |
| 29  | 2    | 114310-11310 | GASKET, BONNET       | 1    |     |     |     |     |     |   |   |
| 30  | 2    | 114310-12210 | GASKET, AIR CLEANER  | 1    |     |     |     |     |     |   |   |
| 31  | 2    | 114310-13200 | GASKET, MUFFLER      | 1    |     |     |     |     |     |   |   |
| 32  | 2    | 114299-32570 | O-RING, PUMP COVER   | 1    |     |     |     |     |     |   |   |
| 33  | 2    | 23414-080000 | GASKET, 8X1.0        | 1    |     |     |     |     |     |   |   |
| 34  | 2    | 24341-000224 | O-RING, 1AS22.4      | 1    |     |     |     |     |     |   |   |
| 35  | 2    | 24341-000150 | O-RING, 1AS15.0      | 2    |     |     |     |     |     |   |   |
| 36  | 2    | 129100-77510 | GASKET, AIR HEATER   | 3    |     |     |     |     |     |   |   |
| 37  | 2    | 114699-12210 | GASKET, AIR CLEANER  | 2    |     |     |     |     |     |   |   |
| 38  | 2    | 114399-21980 | GASKET               | 1    |     |     |     |     |     |   |   |
| 39  | 2    | 23414-120000 | GASKET, 12X1.0       | 1    |     |     |     |     |     |   |   |
| 40  | 2    | 160393-55050 | GASKET               | 4    |     |     |     |     |     |   |   |
| 41  | 2    | 24311-000400 | O-RING, 1AP40.0      | 1    |     |     |     |     |     |   |   |
| 42  | 2    | 183671-13211 | GASKET, MUFFLER PIPE | 1    |     |     |     |     |     |   |   |

Remarks

(1)Optional parts.

## Parts No. Index

| Parts No.    | Fig. No. | Ref. No. | Parts No.    | Fig. No. | Ref. No. | Parts No.      | Fig. No. | Ref. No. | Parts No.    | Fig. No. | Ref. No. |
|--------------|----------|----------|--------------|----------|----------|----------------|----------|----------|--------------|----------|----------|
| 104211-11370 | 2        | 26       | 114250-55121 | 8        | 8        | 114310-11310   | 10       | 29       | 114351-77520 | 9        | 37       |
| 105546-51020 | 7        | 2        | 114250-55130 | 8        | 9        | 114310-11930   | 2        | 12       | 114351-77700 | 9        | 41       |
| 105546-51330 | 7        | 15       | 114250-55201 | 8        | 7        | 114310-11950   | 2        | 36       | 114362-77011 | 9        | 1        |
| 106100-77620 | 9        | 39       | 114250-55301 | 8        | 12       | 114310-12010   | 3        | 4        | 114371-77160 | 9        | 7        |
| 106100-77630 | 9        | 40       | 114299-01600 | 1        | 7        | 114310-12210   | 3        | 1        | 114371-77170 | 9        | 13       |
| 114110-76901 | 8        | 35       | 114299-01690 | 1        | 34       |                | 10       | 30       | 114371-77180 | 9        | 14       |
| 114110-76910 | 8        | 35 -1    | 114299-01800 | 1        | 8        | 114310-13200   | 3        | 18       | 114371-79040 | 9        | 8        |
|              |          |          | 114299-01830 | 1        | 19       |                | 10       | 31       | 114371-79050 | 9        | 9        |
| 114210-03590 | 2        | 38       | 114299-01950 | 1        | 37       | 114310-14200   | 4        | 6        | 114371-79060 | 9        | 10       |
| 114210-11901 | 2        | 30       |              | 10       | 24       | 114310-14400   | 4        | 12       | 114371-79070 | 9        | 17       |
| 114210-12560 | 3        | 11       | 114299-02030 | 1        | 39       | 114310-22500   | 4        | 37       | 114381-77110 | 9        | 2        |
| 114210-12590 | 3        | 12       | 114299-03640 | 2        | 41       | 114310-45350   | 6        | 11       | 114381-77130 | 9        | 5        |
| 114210-12600 | 3        | 15       | 114299-07100 | 10       | 1        | 114310-45360   | 6        | 12       | 114381-77140 | 9        | 6        |
| 114210-14300 | 4        | 7        | 114299-07110 | 10       | 2        | 114310-55230   | 8        | 11       | 114381-77151 | 9        | 12       |
| 114210-55210 | 8        | 10       | 114299-07160 | 10       | 5        | 114310-59060   | 8        | 24       | 114399-21960 | 1        | 48       |
| 114210-55220 | 8        | 10 -1    | 114299-12300 | 3        | 2        | 114310-59061   | 8        | 24 -1    | 114399-21980 | 1        | 49       |
|              |          |          | 114299-32070 | 5        | 7        | 114310-59310   | 8        | 25       |              | 10       | 38       |
| 114210-55300 | 8        | 16 -1    | 114299-32570 | 5        | 8        | 114310-59800   | 8        | 28       | 114399-45320 | 6        | 9        |
|              |          |          |              | 10       | 32       | 114311-61500   | 5        | 15       | 114399-45340 | 6        | 10       |
| 114210-55810 | 8        | 14       | 114299-35110 | 5        | 11       | 11431C-11100   | 2        | 8        | 114399-76540 | 6        | 28       |
| 114210-61290 | 5        | 27       | 114299-35150 | 1        | 32       | 11431C-11110   | 2        | 9        | 114399-76620 | 6        | 31       |
| 114210-66060 | 5        | 37       | 114299-45220 | 6        | 13       | 11431C-11250   | 2        | 14       | 114399-77410 | 9        | 29       |
| 114210-66100 | 5        | 41       | 114299-45301 | 6        | 18       | 11431C-11260   | 2        | 15       | 114399-77560 | 9        | 28       |
| 114210-95900 | 8        | 37       | 114299-45310 | 6        | 19       | 11431C-11650   | 2        | 17       | 114399-77720 | 9        | 30       |
| 114220-07100 | 10       | 3        | 114299-45350 | 6        | 21       | 11431C-11660   | 2        | 21       | 114399-78000 | 9        | 31       |
| 114220-07110 | 10       | 4        | 114299-55040 | 8        | 5        | 11431C-13550   | 3        | 19       | 114399-78280 | 9        | 21       |
| 114220-07120 | 6        | 2        | 114299-55080 | 8        | 3        | 11431C-13560   | 3        | 20       | 114399-78770 | 9        | 22       |
| 114220-07130 | 10       | 7        | 114299-55100 | 8        | 6        | 11431C-13700   | 3        | 21       | 114399-78780 | 9        | 23       |
| 114220-07160 | 10       | 8        | 114299-61190 | 5        | 35       | 11431C-13710   | 3        | 22       | 114650-02100 | 1        | 30       |
| 114220-07170 | 9        | 36       | 114299-61600 | 5        | 33       | 11431C-13720   | 3        | 23       | 114650-02150 | 1        | 40       |
| 114220-12500 | 3        | 8        | 114299-66200 | 5        | 51       | 11431C-21760-1 | 4        | 13       | 114650-02200 | 1        | 45       |
| 114220-77500 | 9        | 35       | 114299-66250 | 5        | 47       | 11431C-45100   | 6        | 17       | 114650-02210 | 1        | 46       |
| 114240-11450 | 2        | 27       | 114299-66440 | 5        | 42       | 11431C-45260   | 6        | 7        | 114650-11340 | 2        | 25       |
| 114240-11550 | 2        | 28       | 114299-67080 | 5        | 43       | 11431C-45270   | 6        | 8        |              | 10       | 27       |
| 114250-01841 | 1        | 20       | 114299-83020 | 8        | 36       | 11431C-45300   | 6        | 4        | 114650-32010 | 5        | 1        |
|              | 10       | 25       |              |          | 41       | 11431C-45310   | 6        | 5        | 114650-51300 | 7        | 12       |
| 114250-11240 | 2        | 19       | 114299-92590 | 10       | 9        | 11431C-55710   | 8        | 1        | 114695-01330 | 10       | 16       |
|              |          |          | 114299-92600 | 10       | 10       | 114320-11020   | 2        | 3        | 114695-01341 | 1        | 5        |
| 114250-51080 | 7        | 3        | 114299-92710 | 10       | 11       | 114320-12550   | 3        | 3        | 114699-01380 | 1        | 6        |
| 114250-51160 | 7        | 11       | 114299-92720 | 10       | 12       | 114320-13800   | 3        | 27 -1    |              | 10       | 22       |
| 114250-51340 | 7        | 16       | 114299-92730 | 10       | 13       | 114320-66010   | 5        | 50       | 114699-01410 | 1        | 26       |
| 114250-51600 | 7        | 18       | 114299-92740 | 10       | 14       | 114320-66600   | 5        | 52       |              | 10       | 23       |
| 114250-51640 | 7        | 19       | 114310-01020 | 1        | 1        | 114320-92600   | 10       | 15       | 114699-01760 | 1        | 35       |
| 114250-51650 | 7        | 20       | 114310-01200 | 2        | 1        | 11432C-45200   | 6        | 1        | 114699-11600 | 2        | 29       |
| 114250-53080 | 7        | 23       | 114310-01210 | 2        | 2        | 114339-51200   | 7        | 4        | 114699-12210 | 10       | 37       |
| 114250-53120 | 7        | 29       | 114310-01450 | 1        | 27       | 114339-53100   | 7        | 24       | 114699-13800 | 3        | 27       |
| 114250-53130 | 7        | 30       | 114310-11120 | 2        | 10       | 114339-53200   | 7        | 32       | 114699-21220 | 4        | 21       |
| 114250-53140 | 7        | 31       | 114310-11180 | 2        | 11       | 114339-59300   | 8        | 22       | 114699-21550 | 4        | 22       |
| 114250-53210 | 7        | 35       | 114310-11290 | 2        | 32       | 114339-59301   | 8        | 22 -1    | 114699-21600 | 4        | 23       |
| 114250-53400 | 7        | 36       | 114310-11310 | 2        | 35       | 114350-45340   | 6        | 6        | 114699-21630 | 4        | 26       |

## Parts No. Index

| Parts No.    | Fig. No. | Ref. No. |
|--------------|----------|----------|
| 114699-22300 | 4        | 36       |
| 114699-45331 | 6        | 20       |
| 114699-59850 | 8        | 34       |
| 114699-76251 | 6        | 23       |
| 114699-76510 | 6        | 24       |
| 114699-76521 | 6        | 25       |
| 114699-76531 | 6        | 27       |
| 114699-76551 | 6        | 29       |
| 114699-76560 | 6        | 30       |
| 114699-76592 | 6        | 37       |
| 114699-76630 | 6        | 32       |
| 114699-76650 | 6        | 33       |
| 114699-76660 | 6        | 34       |
| 114699-76670 | 6        | 35       |
| 114699-76680 | 6        | 36       |
| 114770-61520 | 5        | 32       |
| 114770-61610 | 5        | 34       |
| 114771-11461 | 10       | 28       |
| 114780-59010 | 8        | 19       |
| 114780-59060 | 8        | 20       |
| 114780-61090 | 5        | 58       |
| 119810-23200 | 4        | 42       |
| 121750-59890 | 8        | 26       |
| 124060-23100 | 4        | 41       |
| 124066-59100 | 8        | 27       |
| 124195-77770 | 9        | 16       |
| 124298-77020 | 9        | 15       |
| 124550-51350 | 7        | 17       |
| 124722-59050 | 8        | 23       |
| 129100-77510 | 10       | 36       |
| 160393-55050 | 10       | 40       |
| 160710-78710 | 9        | 24       |
| 160725-78350 | 5        | 44       |
| 183250-39450 | 1        | 47       |
| 183671-13211 | 10       | 42       |
| 183720-55210 | 6        | 3        |
| 22117-080000 | 8        | 15       |
| 22190-160002 | 1        | 38       |
|              | 10       | 26       |
| 22243-000150 | 2        | 16       |
| 22312-030160 | 2        | 43       |
|              | 5        | 9        |
| 22312-040080 | 1        | 21       |
| 22322-030200 | 5        | 24       |
| 22351-020006 | 7        | 10       |
| 22351-025005 | 7        | 28       |
| 22351-030008 | 7        | 21       |
| 22351-040008 | 2        | 31       |
| 22451-060000 | 5        | 59       |
| 22512-050140 | 4        | 27       |

| Parts No.    | Fig. No. | Ref. No. |
|--------------|----------|----------|
| 23080-014000 | 8        | 21       |
| 23414-080000 | 8        | 4        |
|              | 10       | 33       |
| 23414-120000 | 10       | 39       |
| 23875-020000 | 1        | 22       |
| 24101-063040 | 4        | 50       |
| 24162-152220 | 1        | 41       |
| 24311-000400 | 10       | 41       |
| 24341-000150 | 8        | 13       |
|              | 10       | 35       |
| 24341-000224 | 5        | 13       |
|              | 10       | 34       |
| 24423-355008 | 1        | 42       |
|              | 43       |          |
| 26023-040102 | 9        | 32       |
| 26106-060082 | 6        | 14       |
|              | 38       |          |
| 26106-060122 | 5        | 10       |
|              | 6        | 39       |
|              | 9        | 25       |
|              | 33       |          |
| 26106-060142 | 5        | 48       |
| 26106-060162 | 5        | 14       |
|              | 8        | 16       |
| 26106-060202 | 5        | 49       |
|              | 6        | 15       |
|              | 9        | 26       |
|              | 34       |          |
| 26106-060402 | 3        | 16       |
| 26106-060652 | 2        | 47       |
| 26106-080122 | 1        | 44       |
| 26106-080202 | 3        | 24       |
| 26106-080352 | 1        | 33       |
| 26106-080452 | 8        | 17       |
| 26106-100302 | 9        | 19       |
| 26117-050089 | 5        | 40       |
| 26216-080182 | 3        | 25       |
| 26226-060182 | 1        | 23       |
| 26226-060222 | 1        | 24       |
| 26226-060352 | 3        | 17       |
| 26226-060552 | 2        | 33       |
| 26347-060002 | 5        | 45       |
| 26366-060002 | 1        | 25       |
|              | 2        | 34       |
|              | 6        | 16       |
|              | 8        | 18       |
| 26366-080002 | 3        | 26       |
| 26453-080252 | 1        | 50       |
| 26577-060142 | 9        | 27       |
| 26716-080002 | 9        | 20       |

| Parts No.    | Fig. No. | Ref. No. |
|--------------|----------|----------|
| 26757-060002 | 5        | 46       |
| 26776-100002 | 5        | 57       |
| 26856-060002 | 2        | 20       |
|              | 24       |          |
| 29220-083200 | 9        | 42       |
| 714210-61701 | 5        | 26       |
| 714210-66100 | 5        | 36       |
| 714310-22500 | 4        | 30       |
| 714310-22540 | 4        | 53       |
| 714310-22550 | 4        | 59       |
| 714310-28510 | 4        | 45       |
| 71431C-23010 | 4        | 38       |
| 714320-22580 | 4        | 57       |
| 714320-22620 | 4        | 51       |
| 714320-22720 | 4        | 28       |
| 71432C-14010 | 4        | 1        |
| 714339-51300 | 7        | 1        |
| 714339-53200 | 7        | 22       |
| 714650-23600 | 4        | 43       |
| 714650-23610 | 4        | 63       |
| 714650-23620 | 4        | 65       |
| X2114274200  | 9        | 18       |
| X2114715500  | 9        | 4        |
| X2114811000  | 9        | 3        |
| X211485016   | 9        | 11       |

| Parts No. | Fig. No. | Ref. No. |
|-----------|----------|----------|
|-----------|----------|----------|