

OCR10-M84400EN

# P R E F A C E

1. This parts catalog is the 1st edition of L100N6CA1T1AAMS, L100N6DA1F1AAMS for MASTRY.

Pub.No. : 0CR10-G84400

Published : December, 2011

2. Model name

Engine model	Vehicle	Vehicle made by
L100N6CA1T1AAMS L100N6DA1F1AAMS	PUMP	MASTRY

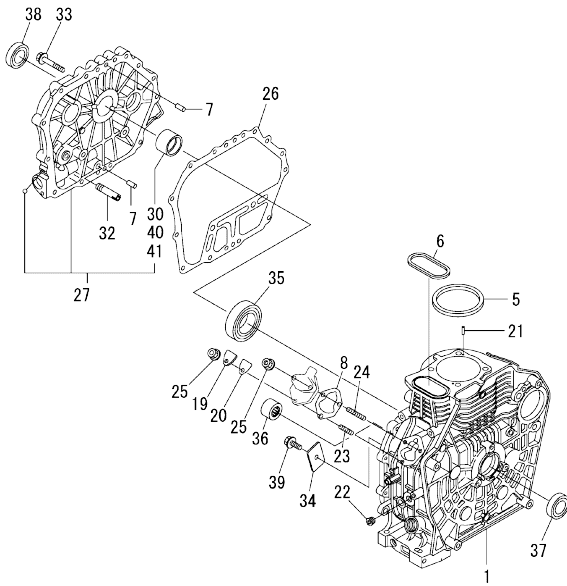
## Contents

OCR10-M84400

Fig. No.	Fig. Name
L100N6CA1T1AAMS/L100N6DA1F1AAMS	
1.	CYLINDER BLOCK
2.	DRAIN PLUG
3.	LABEL
4.	CYLINDER HEAD & BONNET
5.	AIR CLEANER
6.	EXHAUST MUFFLER
7.	CAMSHAFT
8.	CRANKSHAFT(A)
9.	CRANKSHAFT(B)
10.	FLYWHEEL
11.	PISTON & CONNECTING ROD
12.	BALANCER SHAFT
13.	LUB.OIL PUMP & GOVERNOR
14.	OIL PRESSURE SWITCH CAP
15.	COVER
16.	COOLING FAN CASE
17.	F.I.PUMP & F.I.VALVE
18.	FUEL TANK & FUEL PIPE
19.	SPEED CONTROL DEVICE(A)
20.	SPEED CONTROL DEVICE(B)
21.	RECOIL STARTER
22.	STARTING MOTOR
23.	ELECTRICAL EQUIPMENT
24.	KEY SWITCH

Fig. No.	Fig. Name
25.	DYNAMO
26.	TOOL & GASKET SET

Fig.1. CYLINDER BLOCK



(A)=L100N6CA1T1AAMS  
(B)=L100N6DA1F1AAMS  
(C)=

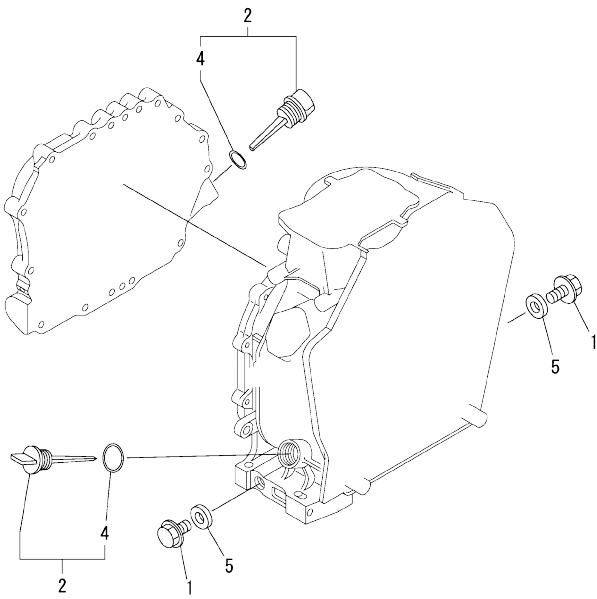
(D)=  
(E)=  
(F)=

No.	Lev.	Parts No.	Description	Q'ty						I	R
				(A)	(B)	(C)	(D)	(E)	(F)		
1	1	114310-01020	BLOCK ASSY, CYLINDER	1	1						
5	1	114695-01341	GASKET, HEAD 0.5	1	1						
6	1	114699-01380	O-RING	1	1						
7	1	114299-01600	PIN, 8X12	2	2						
8	1	114299-01800	SHIM SET	1	1						
19	1	114299-01830	COVER	1	1						
20	1	114250-01841	GASKET	1	1						
21	1	22312-040080	PIN, PARALLEL M4X 8	2	2						
22	1	23875-020000	PLUG, R02	1	1						
23	1	26226-060182	STUD, M6X 18	1	1						
24	1	26226-060222	STUD, M6X 22	2	2						
25	1	26366-060002	NUT, M6	3	3						
26	1	114699-01410	GASKET, CRANK CASE	1	1						
27	1	114310-01450	COVER(D, CRANK CASE	1	1						
30	2	114650-02100	BEARING, MAIN	1	1						1
32	1	114299-35150	PIPE, OIL INLET	1	1						
33	1	26106-080352	BOLT, M8X 35 PLATED	16	16						
34	1	114299-02030	RETAINER, BEARING	1	1						
35	1	114650-02150	BEARING, HR6308G3C3	1	1						
36	1	24162-152220	BEARING, 152220	1	1						
37	1	24423-355008	SEAL, OIL TC355008	1	1						
38	1	24423-355008	SEAL, OIL TC355008	1	1						
39	1	26106-080122	BOLT, M8X 12 PLATED	1	1						
40	1	114650-02200	BEARING, 0.25 US	1	1						2
41	1	114650-02210	BEARING, 0.50 US	1	1						3

Remarks

- (1)Spare parts.
- (2)Under sized(U.S.=0.25)parts.
- (3)Under sized(U.S.=0.50)parts.

Fig.2. DRAIN PLUG

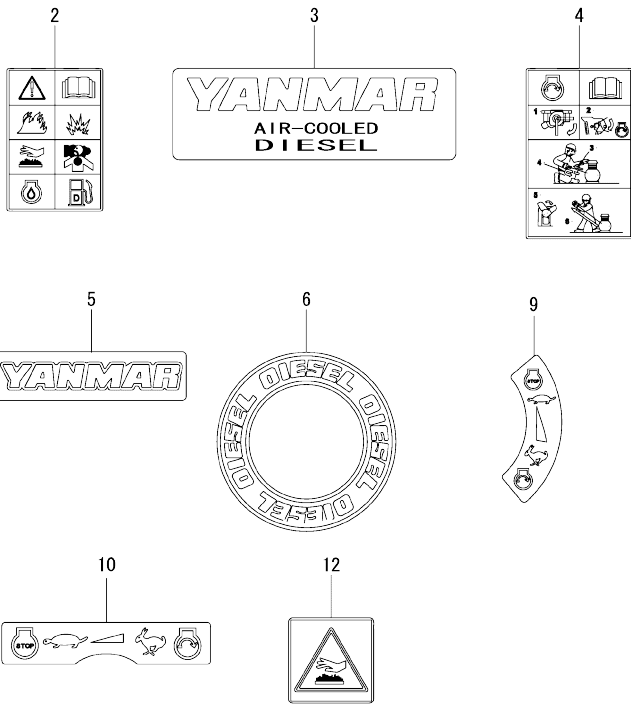


(A)=L100N6CA1T1AAMS  
 (B)=L100N6DA1F1AAMS  
 (C)=

(D)=  
 (E)=  
 (F)=

No.	Lev.	Parts No.	Description	Q'ty						
				(A)	(B)	(C)	(D)	(E)	(F)	
1	1	114299-01690	PLUG M16		2	2				
2	1	114699-01760	CAP ASSY		2	2				
4	2	114299-01950	O-RING, 18		2	2				
5	1	22190-160002	WASHER, SEAL 16		2	2				

Fig.3. LABEL

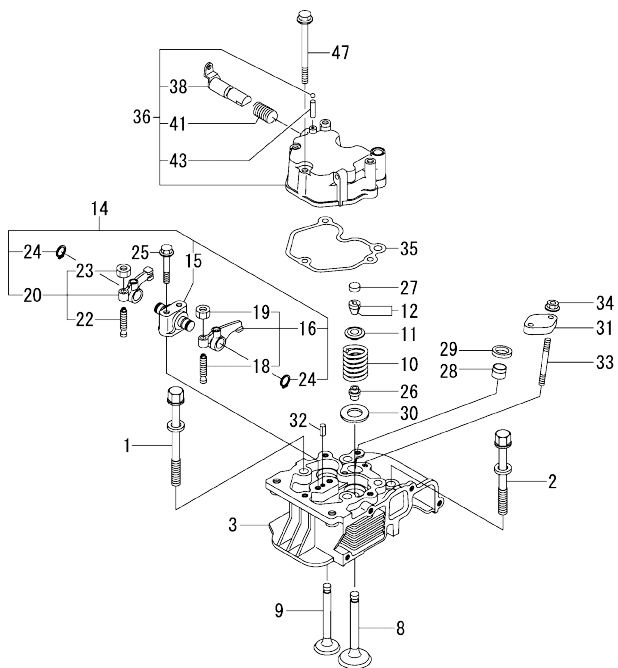


(A)=L100N6CA1T1AAMS  
 (B)=L100N6DA1F1AAMS  
 (C)=

(D)=  
 (E)=  
 (F)=

No.	Lev.	Parts No.	Description	Q'ty					
				(A)	(B)	(C)	(D)	(E)	(F)
2	1	114220-07100	LABEL, CAUTION	1	1				
3	1	114299-07100	LABEL, AIR COOLED	1	1				
4	1	114220-07110	LABEL HOW TO START-E	1	1				
5	1	114299-07110	LABEL, YANMAR	1	1				
6	1	114299-07160	LABEL, DIESEL	1	1				
9	1	114220-07160	LABEL, THAI	1					
10	1	114220-07140	LABEL, CONTROL					1	
12	1	114220-07130	LABEL, HOT SURFACE		1	1			

Fig.4. CYLINDER HEAD & BONNET



(A)=L100N6CA1T1AAMS  
(B)=L100N6DA1F1AAMS  
(C)=

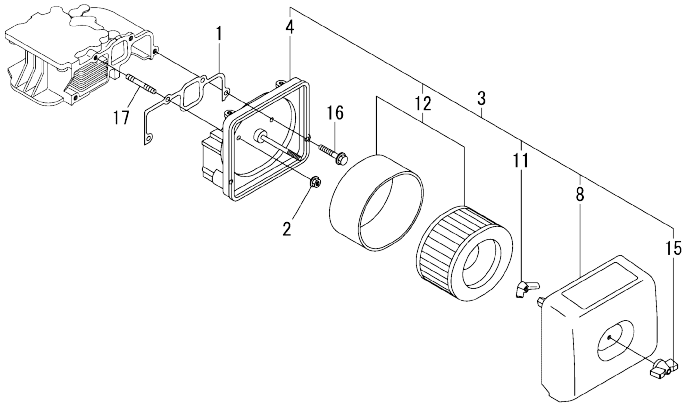
(D)=  
(E)=  
(F)=

No.	Lev.	Parts No.	Description	Qty						I	R	
				(A)	(B)	(C)	(D)	(E)	(F)			
1	1	114310-01200	BOLT, CYL HEAD A		2	2						
2	1	114310-01210	BOLT, CYL HEAD B		2	2						
3	1	11432C-11020	HEAD ASSY, CYLINDER	1	1							
8	1	11431C-11100	VALVE, INTAKE		1	1						
9	1	11431C-11110	VALVE, EXHAUST		1	1						
10	1	114310-11120	SPRING, VALVE		2	2						
11	1	114310-11180	RETAINER, SPRING		2	2						
12	1	114310-11930	COTTER ASSY		2	2						
14	1	11431C-11250	SUPPORT ASSY, ARM		1	1						
15	2	11431C-11260	SUPPORT, ROCKER ARM		1	1						
16	2	11431C-11650	ARM, ROCKER		1	1						
18	3	114250-11240	SCREW, VALVE ADJUST		1	1						
19	3	26856-060002	NUT, M6		1	1						
20	2	11431C-11660	ARM, ROCKER		1	1						
22	3	114250-11240	SCREW, VALVE ADJUST		1	1						
23	3	26856-060002	NUT, M6		1	1						
24	2	22242-000150	RING, 15		2	2						
25	1	114310-11290	BOLT, SUPPORT		2	2						
26	1	114650-11341	SEAL, VALVE STEM		2	2						
27	1	104211-11370	CAP, VALVE		2	2						
28	1	114240-11450	PROTECTOR, NOZZLE		1	1						
29	1	114240-11550	SEAT, NOZZLE		1	1						
30	1	114699-11600	WASHER		2	2						
31	1	114210-11901	RETAINER, NOZZLE		1	1						
32	1	22351-040008	PIN, SPRING 4.0X 8		1	1						
33	1	26226-060552	STUD, M6X 55		2	2						
34	1	26366-060002	NUT, M6		2	2						
35	1	114310-11310	GASKET, BONNET		1	1						
36	1	114310-11950	BONNET ASSY, HEAD		1	1						
38	2	114210-03590	DECOMPRESSION ASSY		1	1						
41	2	114299-03640	SPRING, DECOMPRESSION		1	1						
43	2	22312-030160	PIN, PARALLEL M3X16		1	1						
47	1	26106-060652	BOLT, M6X 65 PLATED		3	3						

Fig.5. AIR CLEANER

(A)=L100N6CA1T1AAMS  
 (B)=L100N6DA1F1AAMS  
 (C)=

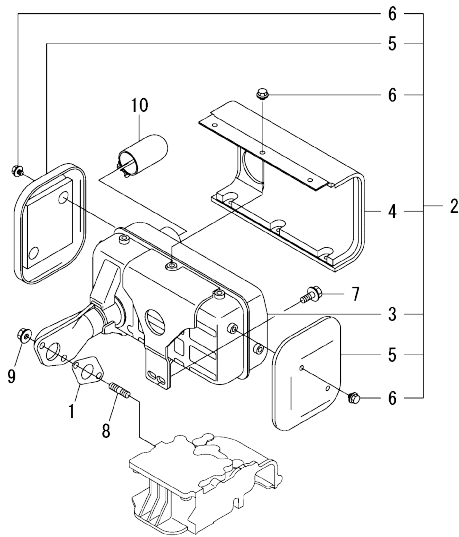
(D)=  
 (E)=  
 (F)=



No.	Lev.	Parts No.	Description	Q'ty					
				(A)	(B)	(C)	(D)	(E)	(F)
1	1	114310-12210	GASKET, AIR CLEANER	1	1				
2	1	114299-12300	NUT	3	3				
3	1	114320-12550	CLEANER ASSY, AIR	1	1				
4	2	114310-12010	BODY ASSY, AIR CLNR	1	1				
8	2	114220-12500	COVER ASSY, AIR CLNR	1	1				
11	2	114210-12560	NUT, WING	1	1				
12	2	114210-12590	ELEMENT ASSY	1	1				
15	2	114210-12600	LOCKING KNOB	1	1				
16	1	26106-060402	BOLT, M6X 40 PLATED	1	1				
17	1	26226-060352	STUD, M6X 35	3	3				



Fig.6. EXHAUST MUFFLER



(A)=L100N6CA1T1AAMS  
 (B)=L100N6DA1F1AAMS  
 (C)=

(D)=  
 (E)=  
 (F)=

No.	Lev.	Parts No.	Description	Q'ty						
				(A)	(B)	(C)	(D)	(E)	(F)	
1	1	114310-13200	GASKET, MUFFLER	1	1					
2	1	11431C-13550	MUFFLER ASSY	1	1					
3	2	11431C-13560	MUFFLER	1	1					
4	2	11431C-13700	COVER	1	1					
5	2	11431C-13710	COVER	2	2					
6	2	11431C-13720	BOLT, M6	10	10					
7	1	26106-080202	BOLT, M8X 20 PLATED	2	2					
8	1	26216-080182	STUD, M8X 18	2	2					
9	1	26366-080002	NUT, M8	2	2					
10	1	114699-13800	PIPE	1	1					
10-1	1	114320-13800 (A=ES46330) (B=ES49962)	DEFLECTOR ASSY, EXH	1	1					N

Fig.7. CAMSHAFT

(A)=L100N6CA1T1AAMS  
 (B)=L100N6DA1F1AAMS  
 (C)=

(D)=  
 (E)=  
 (F)=

No.	Lev.	Parts No.	Description	Q'ty					
				(A)	(B)	(C)	(D)	(E)	(F)
1	1	71432C-14010	CAMSHAFT ASSY	1	1				
6	1	114310-14200	TAPPET	2	2				
7	1	114210-14300	TAPPET ASSY, ROLLER	1	1				
12	1	114310-14400	ROD ASSY, PUSH	2	2				

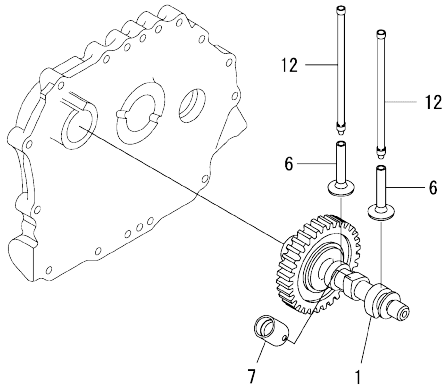
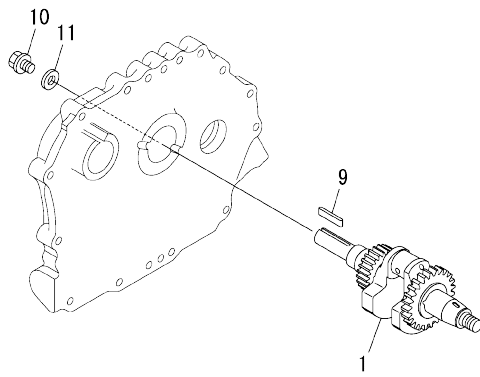


Fig.8. CRANKSHAFT(A)



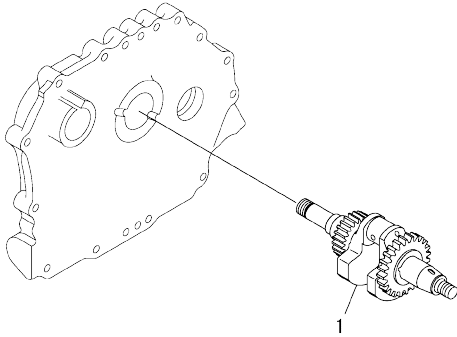
(A)=L100N6CA1T1AAMS  
 (B)=L100N6DA1F1AAMS  
 (C)=

(D)=  
 (E)=  
 (F)=

No.	Lev.	Parts No.	Description	Q'ty						I	R
				(A)	(B)	(C)	(D)	(E)	(F)		
1	1	11431C-21730	CRANKSHAFT ASSY,E-D	1							
9	1	160842-21150	KEY, 6.3X50	1							
10	1	160842-21250	BOLT, 7/16-20UNF	1							
11	1	160842-21260	WASHER	1							

OCR10-M84400 L100N6CA1T1AAMS/L100N6DA1F1AAMS

Fig.9. CRANKSHAFT(B)



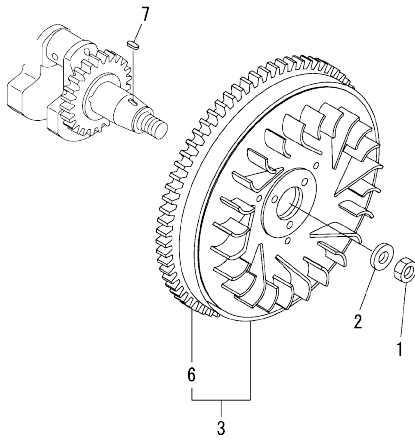
OCR10-M84400 Fig.9

(A)=L100N6CA1T1AAMS  
(B)=L100N6DA1F1AAMS  
(C)=

(D)=  
(E)=  
(F)=

No.	Lev.	Parts No.	Description	Q'ty						I	R	
				(A)	(B)	(C)	(D)	(E)	(F)			
1	1	114310-21750	CRANKSHAFT ASSY,E-DP		1							

Fig.10. FLYWHEEL

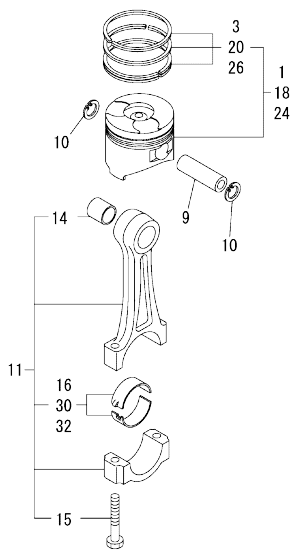


(A)=L100N6CA1T1AAMS  
 (B)=L100N6DA1F1AAMS  
 (C)=

(D)=  
 (E)=  
 (F)=

No.	Lev.	Parts No.	Description	Q'ty					
				(A)	(B)	(C)	(D)	(E)	(F)
1	1	114699-21220	NUT	1	1				
2	1	114699-21550	WASHER	1	1				
3	1	114699-21600	FLYWHEEL ASSY, DE	1	1				
6	2	114699-21630	RING, GEAR	1	1				
7	1	22512-050140	KEY, 5X 14	1	1				

Fig.11. PISTON & CONNECTING ROD



(A)=L100N6CA1T1AAMS  
 (B)=L100N6DA1F1AAMS  
 (C)=

(D)=  
 (E)=  
 (F)=

No.	Lev.	Parts No.	Description	Q'ty						
				(A)	(B)	(C)	(D)	(E)	(F)	
1	1	714320-22720	PISTON W/RINGS (D)	1	1					
3	2	714310-22500	RING SET, PISTON	1	1					
9	1	114699-22300	PIN, PISTON D=23	1	1					
10	1	114310-22500	SEEGER RING, J23	2	2					
11	1	71431C-23010	ROD ASSY, CONNECTING	1	1					
14	2	124060-23100	BEARING, PISTON PIN	1	1					
15	2	114310-23200	BOLT, CONNECTING ROD	2	2					
16	2	714650-23600	BEARING, CRANK PIN	1	1					
18	1	714320-22620	PISTON W/RING .25OS	1	1					1
20	2	714310-22540	RING SET O.S=0.25	1	1					1
24	1	714320-22580	PISTON W/RING .50OS	1	1					2
26	2	714310-22550	RING SET O.S=0.50	1	1					2
30	1	714650-23610	BEARING ASSY, 0.25	1	1					3
32	1	714650-23620	BEARING, 0.50 US	1	1					4

Remarks

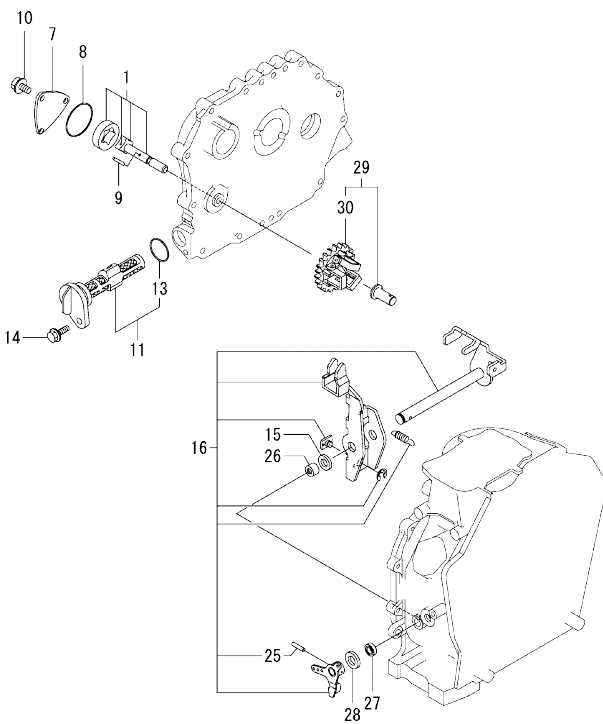
- (1)Over sized(O.S=0.25)parts.
- (2)Over sized(O.S=0.50)parts.
- (3)Under sized(U.S=0.25)parts.
- (4)Under sized(U.S=0.50)parts.



Fig.13. LUB.OIL PUMP & GOVERNOR

(A)=L100N6CA1T1AAMS  
 (B)=L100N6DA1F1AAMS  
 (C)=

(D)=  
 (E)=  
 (F)=



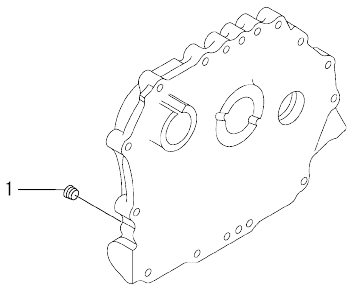
No.	Lev.	Parts No.	Description	Q'ty						I	R
				(A)	(B)	(C)	(D)	(E)	(F)		
1	1	114650-32010	PUMP ASSY, OIL	1	1						
7	1	114299-32070	COVER	1	1						
8	1	114299-32570	O-RING	1	1						
9	1	22312-030160	PIN, PARALLEL M3X16	1	1						
10	1	26106-060122	BOLT, M6X 12 PLATED	3	3						
11	1	114299-35110	FILTER ASSY, OIL	1	1						
13	2	24341-000224	O-RING, 1AS22.4	1	1						
14	1	26106-060162	BOLT, M6X 16 PLATED	1	1						
15	1	114299-61190	WASHER	1	1						
16	1	114311-61500	LEVER ASSY, GOVERNOR	1	1						1
25	2	22322-030200	PIN, TAPER 3X20	1	1						
26	1	114770-61520	BEARING, NEEDLE	2	2						
27	1	114299-61600	SEAL, OIL	1	1						
28	1	114770-61610	WASHER, THRUST	1	1						
29	1	714210-61701	GOVERNOR ASSY	1	1						
30	2	114210-61290	WEIGHT ASSY, GOVERNOR	1	1						

Remarks  
 (1)On a guarantee of quality  
 component parts shall not be sold.



OCR10-M84400 L100N6CA1T1AAMS/L100N6DA1F1AAMS

Fig.14. OIL PRESSURE SWITCH CAP



OCR10-M84400 Fig.14

(A)=L100N6CA1T1AAMS  
(B)=L100N6DA1F1AAMS  
(C)=

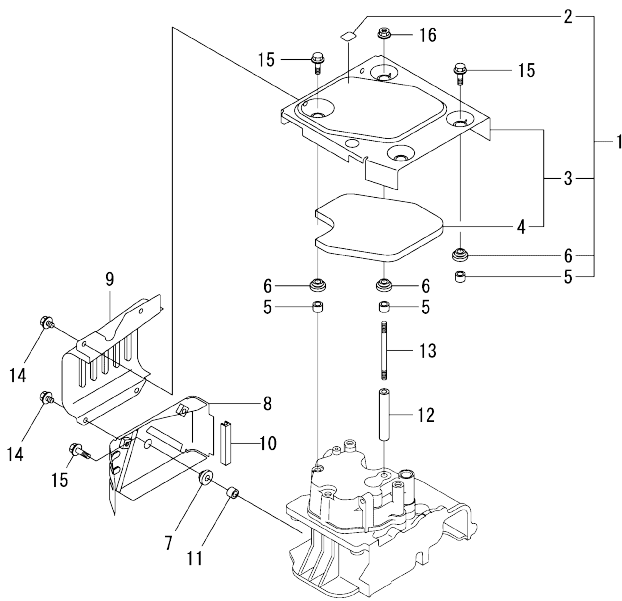
(D)=  
(E)=  
(F)=

No.	Lev.	Parts No.	Description	Q'ty						I	R
				(A)	(B)	(C)	(D)	(E)	(F)		
1	1	23876-010000	PLUG, R01	1	1						

Fig.15. COVER

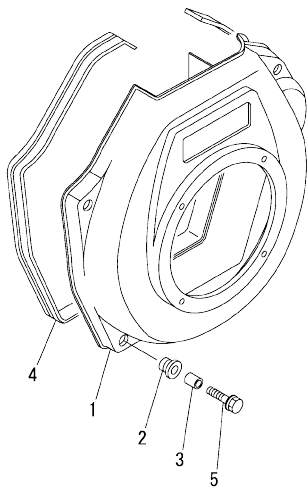
(A)=L100N6CA1T1AAMS  
 (B)=L100N6DA1F1AAMS  
 (C)=

(D)=  
 (E)=  
 (F)=



No.	Lev.	Parts No.	Description	Q'ty						
				(A)	(B)	(C)	(D)	(E)	(F)	
1	1	11432C-45200	TOP COVER ASSY	1	1					
2	2	114220-07120	LABEL, DECOMPRESSION	1	1					
3	2	11431C-45300	COVER	1	1					
4	3	11431C-45310	INSULATOR, NOISE	1	1					
5	2	114350-45340	COLLAR	4	4					
6	2	183720-55210	GROMMET	4	4					
7	1	114299-45220	GROMMET	1	1					
8	1	114310-45260	COVER B, SIDE (13)	1	1					
9	1	114310-45270	COVER A, SIDE (13)	1	1					
10	1	114399-45320	RUBBER, SEAL	1	1					
11	1	114399-45340	COLLAR	1	1					
12	1	114310-45350	SPACER, TOP COVER	1	1					
13	1	114310-45360	STUD BOLT, TOP COVER	1	1					
14	1	26106-060082	BOLT, M6X 8 PLATED	4	4					
15	1	26106-060202	BOLT, M6X 20 PLATED	4	4					
16	1	26366-060002	NUT, M6	1	1					

Fig.16. COOLING FAN CASE

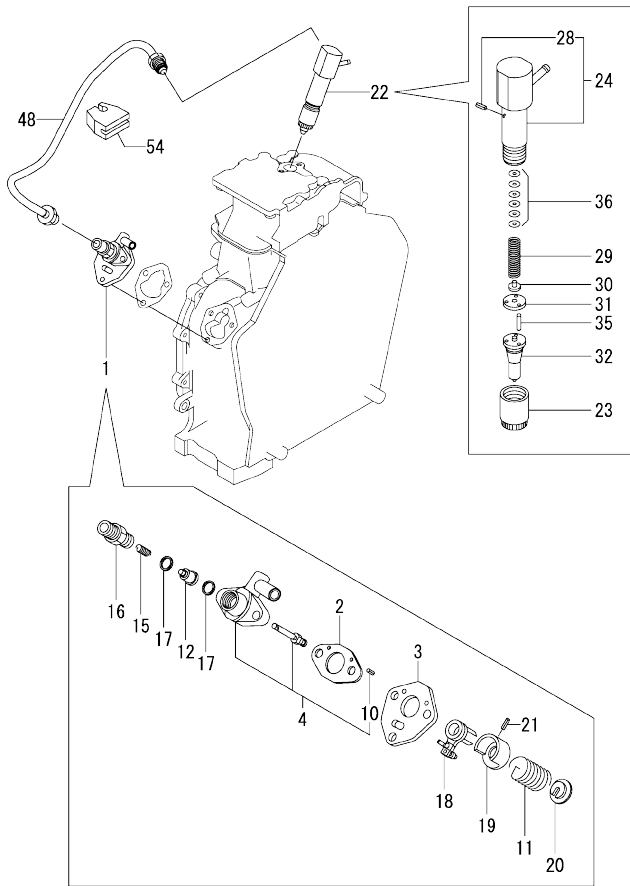


(A)=L100N6CA1T1AAMS  
 (B)=L100N6DA1F1AAMS  
 (C)=

(D)=  
 (E)=  
 (F)=

No.	Lev.	Parts No.	Description	Q'ty					
				(A)	(B)	(C)	(D)	(E)	(F)
1	1	114310-45150	CASE, COOLING FAN	1	1				
2	1	114299-45301	RUBBER, CUSHION	4	4				
3	1	114299-45310	COLLAR	4	4				
4	1	114699-45331	SEAL, FAN CASE	1	1				
5	1	114299-45350	BOLT, FAN CASE	4	4				

Fig.17. F.I.PUMP & F.I.VALVE

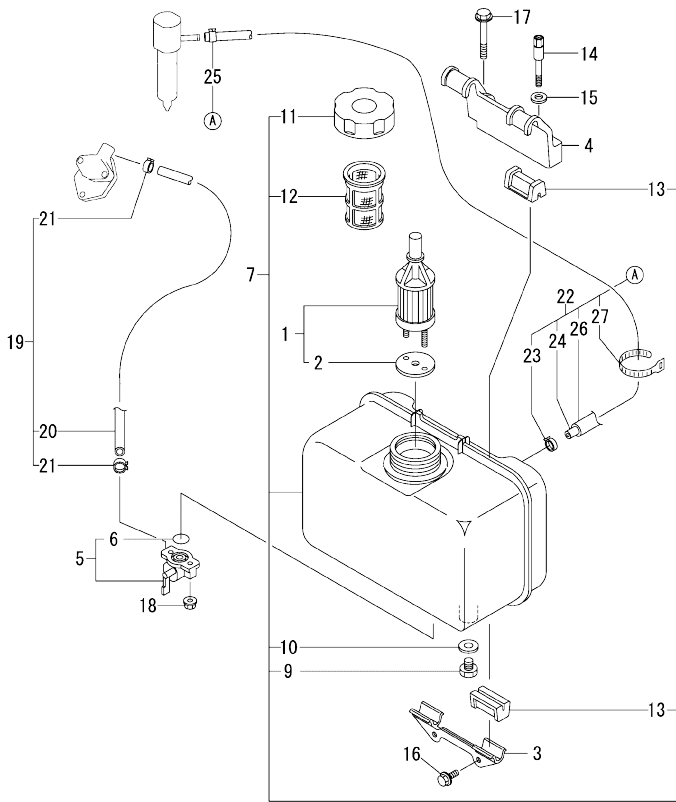


(A)=L100N6CA1T1AAMS  
(B)=L100N6DA1F1AAMS  
(C)=

(D)=  
(E)=  
(F)=

No.	Lev.	Parts No.	Description	Q'ty						I	R
				(A)	(B)	(C)	(D)	(E)	(F)		
1	1	714339-51200	F.I.PUMP ASSY	1	1						
2	2	105546-51020	GASKET	1	1						
3	2	114250-51080	PLATE	1	1						
4	2	114339-51100	BODY ASSY, PUMP	1	1						
10	4	22351-020006	PIN, SPRING 2.0X 6	2	2						
11	2	114250-51160	SPRING, PLUNGER	1	1						
12	2	114650-51300	VALVE ASSY, DELIVERY	1	1						
15	2	105546-51330	SPRING, DELIVERY	1	1						
16	2	114250-51340	HOLDER, DELIVERY	1	1						
17	2	124550-51350	GASKET, DELIVERY	2	2						
18	2	114250-51500	LEVER, CONTROL	1	1						
19	2	114250-51640	SEAT, SPRING A	1	1						
20	2	114250-51650	SEAT, SPRING B	1	1						
21	2	22351-030008	PIN, SPRING 3.0X 8	1	1						
22	1	714339-53200	VALVE ASSY, INJECTION	1	1						
23	2	114250-53080	NUT, NOZZLE D16.95	1	1						
24	2	114339-53100	HOLDER ASSY, NOZZLE	1	1						
28	3	22351-025005	PIN, SPRING 2.5X 6	1	1						
29	2	114250-53120	SPRING, NOZZLE	1	1						
30	2	114250-53130	SEAT, SPRING	1	1						
31	2	114250-53140	PLATE	1	1						
32	2	114339-53200	VALVE ASSY, INJECTION	1	1						
35	2	114250-53210	PIN	2	2						
36	2	114250-53400	SHIM SET	1	1						
48	1	114310-59800	PIPE ASSY, INJECTION	1	1						
54	1	114699-59850	SUPPORT, PIPE	1	1						

Fig.18. FUEL TANK & FUEL PIPE



(A)=L100N6CA1T1AAMS  
(B)=L100N6DA1F1AAMS  
(C)=

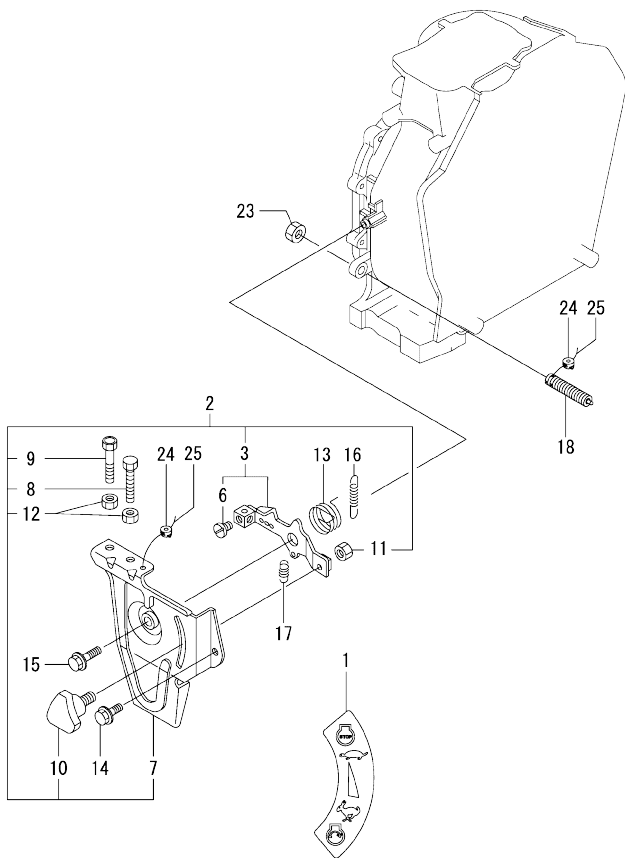
(D)=  
(E)=  
(F)=

No.	Lev.	Parts No.	Description	Q'ty						I	R
				(A)	(B)	(C)	(D)	(E)	(F)		
1	1	114250-55121	FILTER ASSY, FUEL	1	1						
2	2	114250-55130	GASKET	1	1						
3	1	114210-55210	STAY, FUEL TANK A	1	1						
4	1	114310-55230	STAY, FUEL TANK B	1	1						
5	1	114250-55301	COCK ASSY, FUEL	1	1						
6	2	24341-000150	O-RING, 1AS15.0	1	1						
7	1	11431C-55710	TANK ASSY, FUEL	1	1						
9	2	114299-55080	PLUG, DRAIN	1	1						
10	2	23414-080000	GASKET, 8X1.0	1	1						
11	2	114299-55040	CAP ASSY, FUEL TANK	1	1						
12	2	114299-55100	ELEMENT, FUEL FILTER	1	1						
13	2	114250-55201	DAMPER, FUEL TANK	4	4						
14	1	114210-55810	BOLT, LIFTING	1	1						
15	1	22117-080000	WASHER, 8	1	1						
16	1	26106-060162	BOLT, M6X 16 PLATED	2	2						
17	1	26106-080452	BOLT, M8X 45 PLATED	1	1						
18	1	26366-060002	NUT, M6	2	2						
19	1	114780-59010	PIPE ASSY, FUEL L50	1	1						
20	2	114780-59060	PIPE, FUEL L=50	1	1						
21	2	23080-014000	CLAMP, 14	2	2						
22	1	114339-59300	PIPE ASSY, RETURN	1	1						
22-1	1	114339-59301	PIPE ASSY, FO RETURN	1	1						N
		(A=*2019.03)	(B=*2019.03)								
23	2	124722-59050	CLAMP, HOSE 9	1	1						
24	2	114310-59060	PIPE, FUEL RETURN	1	1						
24-1	2	114310-59061	PIPE, FO RETURN	1	1						N
		(A=*2019.03)	(B=*2019.03)								
25	2	124066-59100	CLAMP, HOSE 8	1	1						
26	2	114310-59310	HOSE, PROTECTION	1	1						
27	2	121750-59890	BAND, NYLON	1	1						

Fig.19. SPEED CONTROL DEVICE(A)

(A)=L100N6CA1T1AAMS  
 (B)=L100N6DA1F1AAMS  
 (C)=

(D)=  
 (E)=  
 (F)=

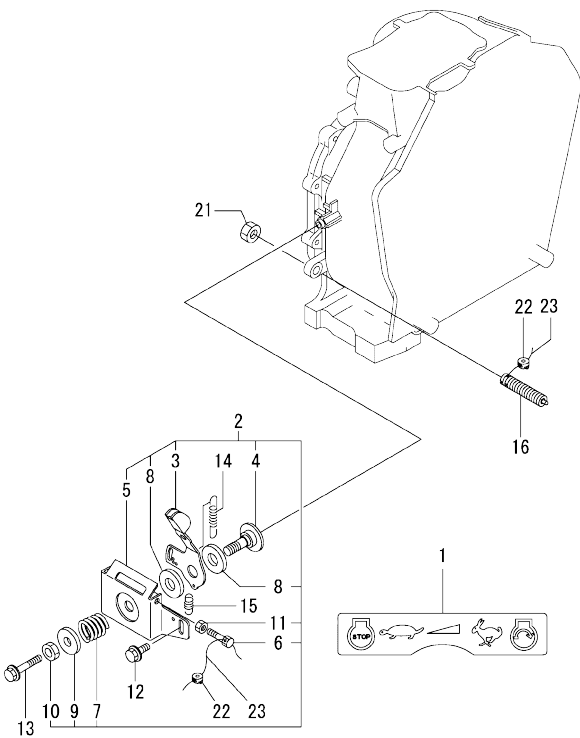


No.	Lev.	Parts No.	Description	Q'ty						
				(A)	(B)	(C)	(D)	(E)	(F)	
1	1	114220-07160	LABEL, THAI	1						
2	1	714210-66100	SPEED CTRL, THAI	1						
3	2	114210-66060	HANDLE ASY,REGULATOR	1						
6	3	26117-050089	BOLT, M5X 8 PLATED	1						
7	2	114210-66100	BRACKET, REGULATOR	1						
8	2	114299-66440	BOLT, ADJUSTING	1						
9	2	114299-67080	BOLT, ADJUSTING	1						
10	2	160725-78350	KNOB	1						
11	2	26347-060002	NUT, M6	1						
12	2	26757-060002	NUT, LOCK M6	2						
13	1	114299-66250	SPRING, RETURN	1						
14	1	26106-060142	BOLT, M6X 14 PLATED	1						
15	1	26106-060202	BOLT, M6X 20 PLATED	1						
16	1	114320-66010	SPRING, REGULATOR	1						
17	1	114299-66200	SPRING, RETURN	1						
18	1	114320-66600	LIMITER ASSY, FUEL	1						
23	1	26776-100002	NUT, LOCK M10	1						
24	1	114780-61090	TIN	2						
25	1	22451-060000	WIRE, 0.6	2						

Fig.20. SPEED CONTROL DEVICE(B)

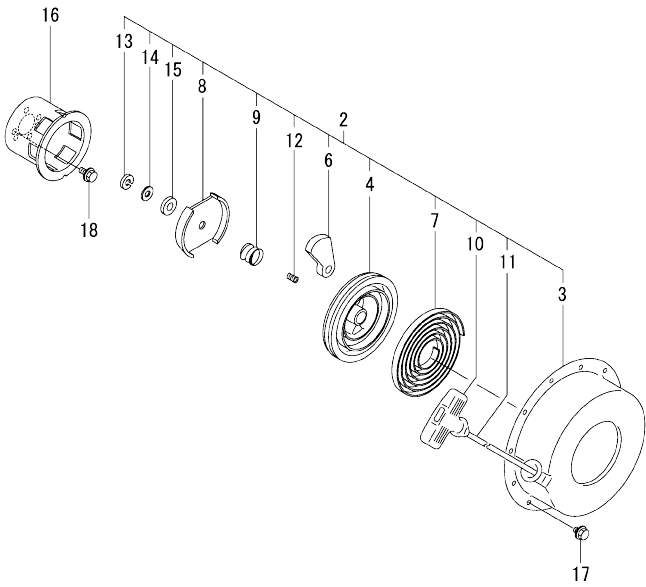
(A)=L100N6CA1T1AAMS  
 (B)=L100N6DA1F1AAMS  
 (C)=

(D)=  
 (E)=  
 (F)=



No.	Lev.	Parts No.	Description	Q'ty						I	R
				(A)	(B)	(C)	(D)	(E)	(F)		
1	1	114220-07140	LABEL, CONTROL		1						
2	1	114210-66550	BRACKET ASSY		1						
3	2	114210-66070	HANDLE, REGULATOR		1						
4	2	183250-66070	SHAFT, HANDLE		1						
5	2	114210-66400	BRACKET, HANDLE		1						
6	2	114250-66440	BOLT, ADJUSTING		1						
7	2	104200-66820	SPRING		1						
8	2	104200-66831	PLATE, FRICTION		2						
9	2	104200-66850	WASHER		1						
10	2	26696-100002	NUT, LOCK M10		1						
11	2	26757-060002	NUT, LOCK M6		1						
12	1	26106-060142	BOLT, M6X 14 PLATED		1						
13	1	26106-060452	BOLT, M6X 45 PLATED		1						
14	1	114320-66010	SPRING, REGULATOR		1						
15	1	114299-66200	SPRING, RETURN		1						
16	1	114320-66600	LIMITER ASSY, FUEL		1						
21	1	26776-100002	NUT, LOCK M10		1						
22	1	114780-61090	TIN		2						
23	1	22451-060000	WIRE, 0.6		2						

Fig.21. RECOIL STARTER



(A)=L100N6CA1T1AAMS  
 (B)=L100N6DA1F1AAMS  
 (C)=

(D)=  
 (E)=  
 (F)=

No.	Lev.	Parts No.	Description	Q'ty					
				(A)	(B)	(C)	(D)	(E)	(F)
2	2	114699-76251	RECOIL ASSY	1	1				
3	3	114699-76510	CASE, STARTER	1	1				
4	3	114699-76521	REEL, RECOIL	1	1				
6	3	114699-76531	RATCHET	2	2				
7	3	114399-76540	SPRING, SPIRAL	1	1				
8	3	114699-76551	GUIDE, RATCHET	1	1				
9	3	114699-76560	SPRING, FRICTION	1	1				
10	3	114399-76620	KNOB, STARTER	1	1				
11	3	114699-76630	ROPE, STARTER	1	1				
12	3	114699-76650	SPRING, RETURN	1	1				
13	3	114699-76660	CIRCLIP	1	1				
14	3	114699-76670	WASHER	1	1				
15	3	114699-76680	WASHER	1	1				
16	2	114699-76592	PULLEY, STARTER	1	1				
17	1	26106-060082	BOLT, M6X 8 PLATED	4	4				
18	1	26106-060122	BOLT, M6X 12 PLATED	3	3				



Fig.22. STARTING MOTOR

(A)=L100N6CA1T1AAMS  
 (B)=L100N6DA1F1AAMS  
 (C)=

(D)=  
 (E)=  
 (F)=

No.	Lev.	Parts No.	Description	Q'ty					
				(A)	(B)	(C)	(D)	(E)	(F)
1	1	114362-77011	STARTER	1	1				
2	2	114381-77110	ARMATURE	1	1				
3	2	X2114811000	WASHER KIT, THRUST	1	1				
4	2	X2114715500	STOPPER SET, PINION	1	1				
5	2	114381-77130	COIL ASSY, FIELD	1	1				
6	2	114381-77140	COVER, REAR	1	1				
7	2	114371-77160	HOLDER ASSY, BRUSH	1	1				
8	3	114371-79040	BRUSH (-)	2	2				
9	3	114371-79050	BRUSH (+)	1	1				
10	3	114371-79060	SPRING, BRUSH	4	4				
11	2	X211485016	PINION ASSY	1	1				
12	2	114381-77151	HOUSING ASSY, GEAR	1	1				
13	2	114371-77170	COVER KIT, DUST	1	1				
14	2	114371-77180	LEVER KIT, SHIFT	1	1				
15	2	124298-77020	SWITCH, MAGNETIC	1	1				
16	2	124195-77770	THROUGH BOLT	2	2				
17	2	114371-79070	BOLT M 6X 37	2	2				
18	2	X2114274200	COVER, TERMINAL	1	1				
19	1	26106-100302	BOLT, M10X 30 PLATED	2	2				
20	1	26716-080002	NUT, M8	1	1				

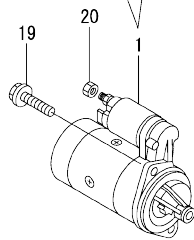
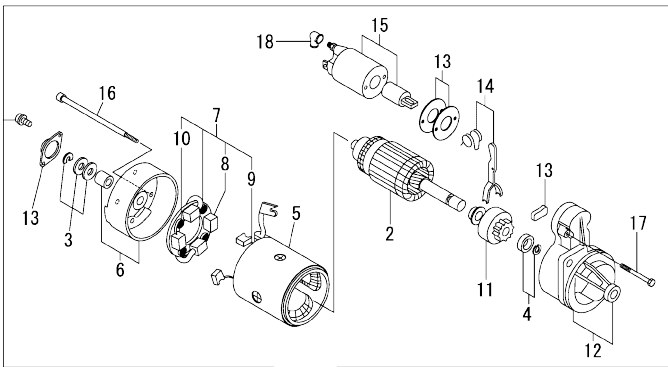
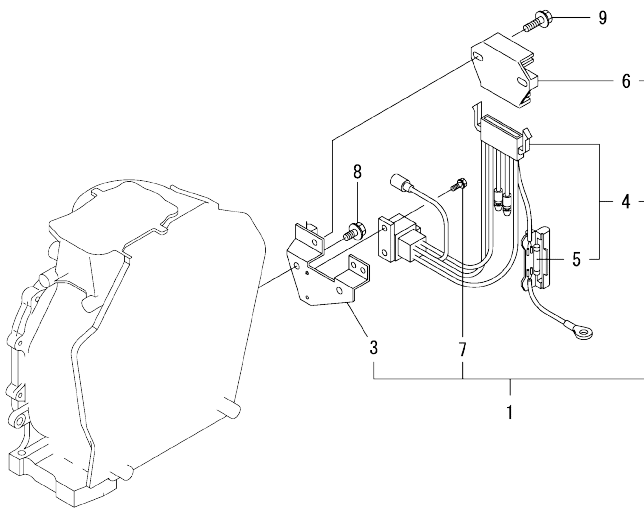


Fig.23. ELECTRICAL EQUIPMENT

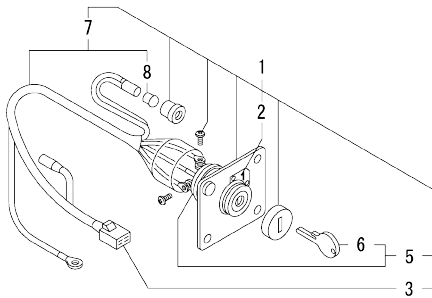


(A)=L100N6CA1T1AAMS  
 (B)=L100N6DA1F1AAMS  
 (C)=

(D)=  
 (E)=  
 (F)=

No.	Lev.	Parts No.	Description	Q'ty						
				(A)	(B)	(C)	(D)	(E)	(F)	
1	1	114399-77550	REG. & HARNESS ASSY	1	1					
3	3	114399-77400	BRACKET, HARNESS	1	1					
4	3	114399-77540	HARNESS, WIRE	1	1					
5	4	114399-78000	FUSE(20A)	1	1					
6	2	114399-77710	REGULATOR	1	1					
7	2	26023-040102	SCREW, M4X10	2	2					
8	1	26106-060122	BOLT, M6X 12 PLATED	2	2					
9	1	26106-060202	BOLT, M6X 20 PLATED	2	2					

Fig.24. KEY SWITCH

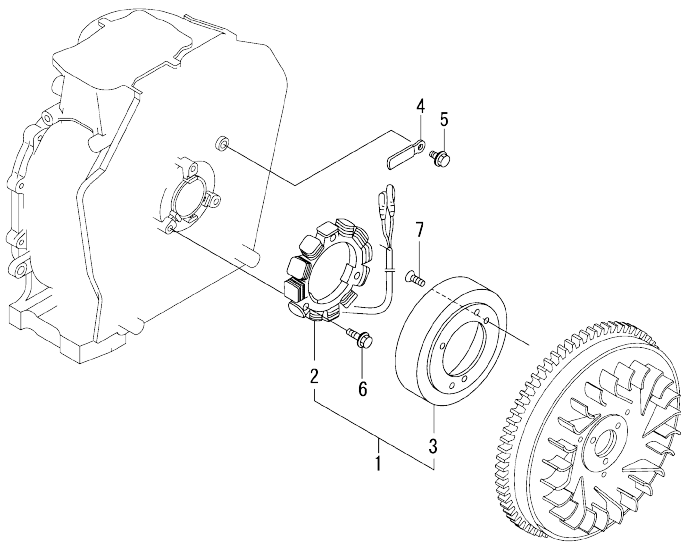


(A)=L100N6CA1T1AAMS  
 (B)=L100N6DA1F1AAMS  
 (C)=

(D)=  
 (E)=  
 (F)=

No.	Lev.	Parts No.	Description	Q'ty					
				(A)	(B)	(C)	(D)	(E)	(F)
1	1	114220-77500	PANEL ASSY,KEYSWITCH	1	1				
2	2	114220-07170	LABEL, START SWITCH	1	1				
3	2	114351-77520	COUPLER	1	1				
5	2	106100-77620	SWITCH, KEY	1	1				
6	3	106100-77630	KEY, SWITCH	1	1				
7	2	114351-77700	HARNES, WIRE	1	1				
8	3	29220-083200	BULB (12V/3.4W)	1	1				

Fig.25. DYNAMO



(A)=L100N6CA1T1AAMS  
(B)=L100N6DA1F1AAMS  
(C)=

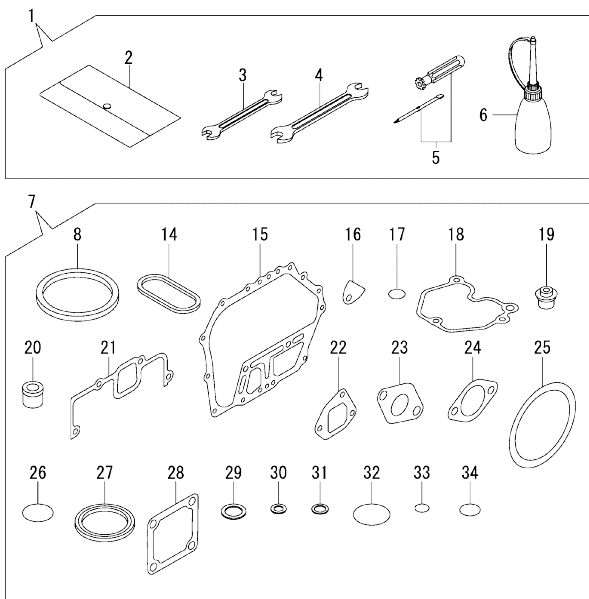
(D)=  
(E)=  
(F)=

No.	Lev.	Parts No.	Description	Q'ty					
				(A)	(B)	(C)	(D)	(E)	(F)
1	1	114399-78260	DYNAMO ASSY	1	1				
2	2	114399-78730	STATOR ASSY	1	1				
3	2	114399-78740	WHEEL, DYNAMO	1	1				
4	1	160710-78710	CLAMP, CORD	1	1				
5	1	26106-060122	BOLT, M6X 12 PLATED	1	1				
6	1	26106-060202	BOLT, M6X 20 PLATED	3	3				
7	1	26577-060142	SCREW M 6X 14	3	3				

Fig.26. TOOL & GASKET SET

(A)=L100N6CA1T1AAMS  
 (B)=L100N6DA1F1AAMS  
 (C)=

(D)=  
 (E)=  
 (F)=



No.	Lev.	Parts No.	Description	Q'ty						I	R
				(A)	(B)	(C)	(D)	(E)	(F)		
1	1	114299-92590	BOX, TOOL	1	1						
2	2	114299-92600	BAG, TOOL	1	1						
3	2	114299-92710	WRENCH	1	1						
4	2	114299-92720	WRENCH	1	1						
5	2	114299-92730	DRIVER	1	1						
6	2	114299-92740	DIPSTICK	1	1						
7	1	114320-92600	GASKET SET	1	1						1
8	2	114695-01331	GASKET, HEAD	1	1						
14	2	114699-01380	O-RING	1	1						
15	2	114699-01410	GASKET, CRANK CASE	1	1						
16	2	114250-01841	GASKET	1	1						
17	2	114299-01950	O-RING, 18	2	2						
18	2	114310-11310	GASKET, BONNET	1	1						
19	2	114650-11341	SEAL, VALVE STEM	2	2						
20	2	114771-11461	GASKET, NOZZLE	1	1						
21	2	114310-12210	GASKET, AIR CLEANER	1	1						
22	2	114699-12210	GASKET, AIR CLEANER	2	2						
23	2	114310-13200	GASKET, MUFFLER	1	1						
24	2	183671-13211	GASKET, PIPE	1	1						
25	2	114399-21980	GASKET	1	1						
26	2	114299-32570	O-RING	1	1						
27	2	160393-55050	GASKET	4	4						
28	2	129100-77510	GASKET, AIR HEATER	3	3						
29	2	22190-160002	WASHER, SEAL 16	2	2						
30	2	23414-080000	GASKET, 8X1.0	1	1						
31	2	23414-120000	GASKET, 12X1.0	1	1						
32	2	24311-000400	O-RING, 1AP40.0	1	1						
33	2	24341-000150	O-RING, 1AS15.0	2	2						
34	2	24341-000224	O-RING, 1AS22.4	1	1						

Remarks

(1)Optional parts.

## Parts No. Index

Parts No.	Fig. No.	Ref. No.
104200-66820	20	7
104200-66831	20	8
104200-66850	20	9
104211-11370	4	27
105546-51020	17	2
105546-51330	17	15
106100-77620	24	5
106100-77630	24	6
114210-03590	4	38
114210-11901	4	31
114210-12560	5	11
114210-12590	5	12
114210-12600	5	15
114210-14300	7	7
114210-55210	18	3
114210-55810	18	14
114210-61290	13	30
114210-66060	19	3
114210-66070	20	3
114210-66100	19	7
114210-66400	20	5
114210-66550	20	2
114220-07100	3	2
114220-07110	3	4
114220-07120	15	2
114220-07130	3	12
114220-07140	3	10
	20	1
114220-07160	3	9
	19	1
114220-07170	24	2
114220-12500	5	8
114220-77500	24	1
114240-11450	4	28
114240-11550	4	29
114250-01841	1	20
	26	16
114250-11240	4	18
	22	
114250-51080	17	3
114250-51160	17	11
114250-51340	17	16
114250-51500	17	18
114250-51640	17	19
114250-51650	17	20
114250-53080	17	23
114250-53120	17	29
114250-53130	17	30
114250-53140	17	31
114250-53210	17	35

Parts No.	Fig. No.	Ref. No.
114250-53400	17	36
114250-55121	18	1
114250-55130	18	2
114250-55201	18	13
114250-55301	18	5
114250-66440	20	6
114299-01600	1	7
114299-01690	2	1
114299-01800	1	8
114299-01830	1	19
114299-01950	2	4
	26	17
114299-02030	1	34
114299-03640	4	41
114299-07100	3	3
114299-07110	3	5
114299-07160	3	6
114299-12300	5	2
114299-32070	13	7
114299-32570	13	8
	26	26
114299-35110	13	11
114299-35150	1	32
114299-45220	15	7
114299-45301	16	2
114299-45310	16	3
114299-45350	16	5
114299-55040	18	11
114299-55080	18	9
114299-55100	18	12
114299-61190	13	15
114299-61600	13	27
114299-66200	19	17
	20	15
	19	13
114299-66250	19	13
114299-66440	19	8
114299-67080	19	9
114299-92590	26	1
114299-92600	26	2
114299-92710	26	3
114299-92720	26	4
114299-92730	26	5
114299-92740	26	6
114310-01020	1	1
114310-01200	4	1
114310-01210	4	2
114310-01450	1	27
114310-11120	4	10
114310-11180	4	11
114310-11290	4	25

Parts No.	Fig. No.	Ref. No.
114310-11310	4	35
	26	18
114310-11930	4	12
114310-11950	4	36
114310-12010	5	4
114310-12210	5	1
	26	21
114310-13200	6	1
	26	23
114310-14200	7	6
114310-14400	7	12
114310-21750	9	1
114310-22500	11	10
114310-23200	11	15
114310-45150	16	1
114310-45260	15	8
114310-45270	15	9
114310-45350	15	12
114310-45360	15	13
114310-45390	18	4
114310-59060	18	24
114310-59061	18	24
114310-59310	18	26
114310-59800	17	48
114311-61500	13	16
11431C-11100	4	8
11431C-11110	4	9
11431C-11250	4	14
11431C-11260	4	15
11431C-11650	4	16
11431C-11660	4	20
11431C-13550	6	2
11431C-13560	6	3
11431C-13700	6	4
11431C-13710	6	5
11431C-13720	6	6
11431C-21730	8	1
11431C-45300	15	3
11431C-45310	15	4
11431C-55710	18	7
114320-12550	5	3
114320-13800	6	10
114320-66010	19	16
	20	14
114320-66600	19	18
	20	16
	26	7
114320-92600	4	3
11432C-11020	4	3
11432C-45200	15	1
114339-51100	17	4

Parts No.	Fig. No.	Ref. No.
114339-53100	17	24
114339-53200	17	32
114339-59300	18	22
114339-59301	18	22
114339-59301	18	22
114350-45340	15	5
114351-77520	24	3
114351-77700	24	7
114362-77011	22	1
114371-77160	22	7
114371-77170	22	13
114371-77180	22	14
114371-79040	22	8
114371-79050	22	9
114371-79060	22	10
114371-79070	22	17
114381-77110	22	2
114381-77130	22	5
114381-77140	22	6
114381-77151	22	12
114399-21980	26	25
114399-45320	15	10
114399-45340	15	11
114399-76540	21	7
114399-76620	21	10
114399-77400	23	3
114399-77540	23	4
114399-77550	23	1
114399-77710	23	6
114399-78000	23	5
114399-78260	25	1
114399-78730	25	2
114399-78740	25	3
114650-02100	1	30
114650-02150	1	35
114650-02200	1	40
114650-02210	1	41
114650-11341	4	26
	26	19
114650-32010	13	1
114650-51300	17	12
114695-01331	26	8
114695-01341	1	5
114699-01380	1	6
	26	14
114699-01410	1	26
	26	15
114699-01760	2	2
114699-11600	4	30
114699-12210	26	22
114699-13800	6	10

## Parts No. Index

Parts No.	Fig. No.	Ref. No.
114699-21220	10	1
114699-21550	10	2
114699-21600	10	3
114699-21630	10	6
114699-22300	11	9
114699-45331	16	4
114699-59850	17	54
114699-76251	21	2
114699-76510	21	3
114699-76521	21	4
114699-76531	21	6
114699-76551	21	8
114699-76560	21	9
114699-76592	21	16
114699-76630	21	11
114699-76650	21	12
114699-76660	21	13
114699-76670	21	14
114699-76680	21	15
114770-61520	13	26
114770-61610	13	28
114771-11461	26	20
114780-59010	18	19
114780-59060	18	20
114780-61090	19	24
	20	22
121750-59890	18	27
124060-23100	11	14
124066-59100	18	25
124195-77770	22	16
124298-77020	22	15
124550-51350	17	17
124722-59050	18	23
129100-77510	26	28
160393-55050	26	27
160710-78710	25	4
160725-78350	19	10
160842-21150	8	9
160842-21250	8	10
160842-21260	8	11
183250-66070	20	4
183671-13211	26	24
183720-55210	15	6
22117-080000	18	15
22190-160002	2	5
	26	29
22242-000150	4	24
22312-030160	4	43
	13	9
22312-040080	1	21

Parts No.	Fig. No.	Ref. No.
22322-030200	13	25
22351-020006	17	10
22351-025005	17	28
22351-030008	17	21
22351-040008	4	32
22451-060000	19	25
	20	23
22512-050140	10	7
23080-014000	18	21
23414-080000	18	10
	26	30
23414-120000	26	31
23875-020000	1	22
23876-010000	14	1
24101-063040	12	6
24162-152220	1	36
24311-000400	26	32
24341-000150	18	6
	26	33
24341-000224	13	13
	26	34
24423-355008	1	37
	38	
26023-040102	23	7
26106-060082	15	14
	21	17
26106-060122	13	10
	21	18
	23	8
	25	5
26106-060142	19	14
	20	12
26106-060162	13	14
	18	16
	15	15
26106-060202	19	15
	23	9
	25	6
26106-060402	5	16
26106-060452	20	13
26106-060652	4	47
26106-080122	1	39
26106-080202	6	7
26106-080352	1	33
26106-080452	18	17
26106-100302	22	19
26117-050089	19	6
26216-080182	6	8
26226-060182	1	23
26226-060222	1	24

Parts No.	Fig. No.	Ref. No.
26226-060352	5	17
26226-060552	4	33
26347-060002	19	11
26366-060002	1	25
	4	34
	15	16
	18	18
26366-080002	6	9
26577-060142	25	7
26696-100002	20	10
26716-080002	22	20
26757-060002	19	12
	20	11
26776-100002	19	23
	20	21
26856-060002	4	19
		23
29220-083200	24	8
714210-61701	13	29
714210-66100	19	2
714310-22500	11	3
714310-22540	11	20
714310-22550	11	26
714310-28510	12	1
71431C-23010	11	11
714320-22580	11	24
714320-22620	11	18
714320-22720	11	1
71432C-14010	7	1
714339-51200	17	1
714339-53200	17	22
714650-23600	11	16
714650-23610	11	30
714650-23620	11	32
X2114274200	22	18
X2114715500	22	4
X2114811000	22	3
X211485016	22	11

Parts No.	Fig. No.	Ref. No.
-----------	----------	----------