

0CC50-M03790EN

# P R E F A C E

This parts catalog is the 1st edition of L100N6-MEPEAYI for POWER EQUIPMENT.

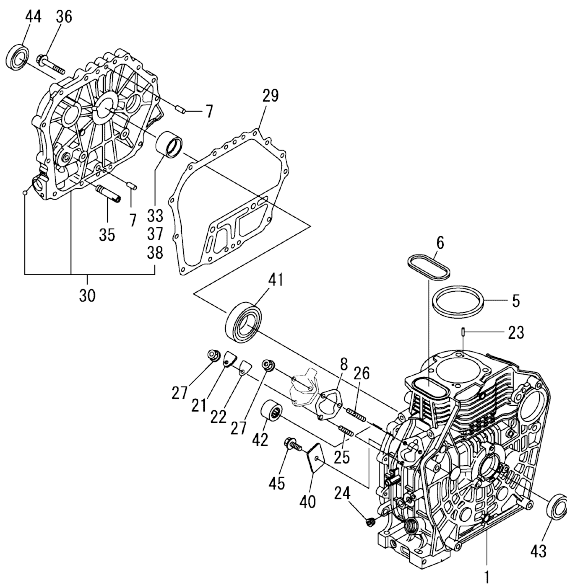
Published : May, 2021

## Contents

0CC50-M03790

Fig. No.	Fig. Name	Fig. No.	Fig. Name
ENGINE			
1.	CYLINDER BLOCK		
2.	DRAIN PLUG		
3.	LABEL		
4.	CYLINDER HEAD & BONNET		
5.	AIR CLEANER		
6.	EXHAUST MUFFLER		
7.	CAMSHAFT		
8.	CRANKSHAFT		
9.	FLYWHEEL		
10.	PISTON & CONNECTING ROD		
11.	BALANCER SHAFT		
12.	LUB. OIL PUMP & GOVERNOR		
13.	SWITCH CAP(OIL PRESSURE)		
14.	COVER		
15.	COOLING FAN CASE		
16.	FUEL INJECTION PUMP & FUEL INJECTION VALVE		
17.	FUEL TANK & FUEL PIPE		
18.	CONTROL DEVICE		
19.	RECOIL STARTER		
20.	STARTER MOTOR		
21.	ELECTRIC PARTS		
22.	KEY SWITCH		
23.	DYNAMO		
24.	GASKET SET & TOOL		

Fig.1. CYLINDER BLOCK



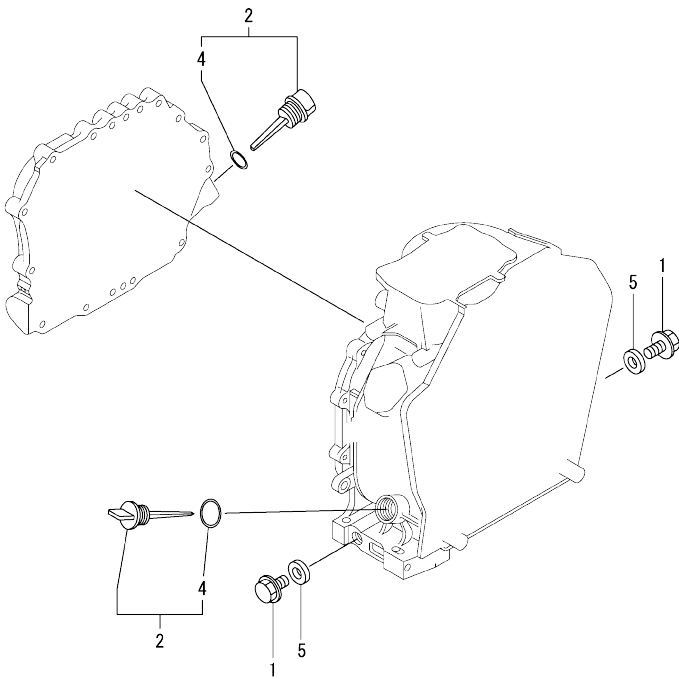
(A)=L100N6-MEPEAYI  
(B)=  
(C)=

(D)=  
(E)=  
(F)=

No.	Lev.	Parts No.	Description	Q'ty						I	R
				(A)	(B)	(C)	(D)	(E)	(F)		
1	1	114310-01010	BLOCK ASSY, CYLINDER	1							
5	1	114695-01341	GASKET, HEAD T=0.5	1							
6	1	114699-01380	O-RING, TAPPET	1							
7	1	114299-01600	PIN, PARALLEL 8X12	2							
8	1	114299-01800	SHIM SET, PUMP	1							
21	1	114299-01830	COVER, PUMP	1							
22	1	114250-01841	GASKET, COVER	1							
23	1	22312-040080	PIN, PARALLEL M4X 8	2							
24	1	23875-020000	PLUG, R02	1							
25	1	26226-060182	STUD, M6X 18	1							
26	1	26226-060222	STUD, M6X 22	2							
27	1	26366-060002	NUT, M6	3							
29	1	114699-01410	GASKET, CASE COVER	1							
30	1	114311-01450	COVER, CRANKCASE D	1							
33	2	114940-02110	BEARING, MAIN	1							1
35	1	114299-35150	PIPE, OIL INLET	1							
36	1	26106-080352	BOLT, M8X 35 PLATED	16							
37	1	114940-02200	BEARING, MAIN 0.250S	1							2
38	1	114940-02210	BEARING, MAIN 0.500S	1							3
40	1	114299-02030	RETAINER, BEARING	1							
41	1	114650-02150	BEARING, HR6308G3C3	1							
42	1	24162-152220	BEARING, 152220	1							
43	1	24423-355008	SEAL, OIL TC355008	1							
44	1	24423-355008	SEAL, OIL TC355008	1							
45	1	26106-080122	BOLT, M8X 12 PLATED	1							

Remarks  
(1) Spare parts.  
(2) Over-sized (O.S.=0.25) parts.  
(3) Over-sized (O.S.=0.50) parts.

OCC50-M03790 ENGINE  
 Fig.2. DRAIN PLUG



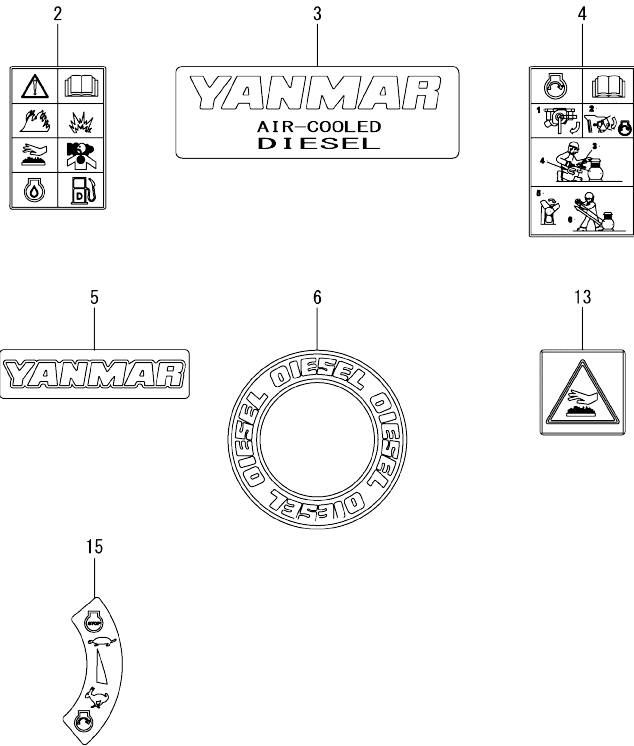
OCC50-M03790 Fig.2

(A)=L100N6-MEPEAY1  
 (B)=  
 (C)=

(D)=  
 (E)=  
 (F)=

No.	Lev.	Parts No.	Description	Q'ty						I	R
				(A)	(B)	(C)	(D)	(E)	(F)		
1	1	114299-01690	PLUG, DRAIN 16	2							
2	1	114699-01760	CAP ASSY, OIL SUPPLY	2							
4	2	114299-01950	O-RING, 18	2							
5	1	22190-160002	WASHER, SEAL 16	2							

Fig.3. LABEL

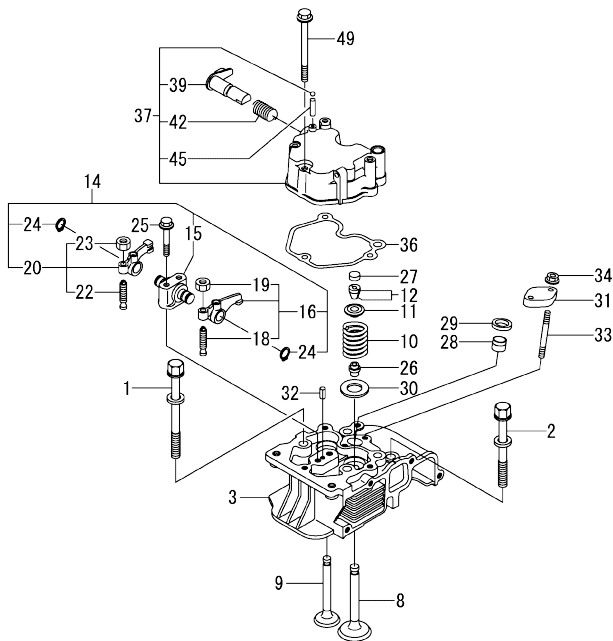


(A)=L100N6-MEPEAYI  
(B)=  
(C)=

(D)=  
(E)=  
(F)=

No.	Lev.	Parts No.	Description	Q'ty					
				(A)	(B)	(C)	(D)	(E)	(F)
2	1	114220-07100	LABEL, CAUTION	1					
3	1	114299-07101	LABEL, YANMAR MARK A	1					
4	1	114220-07110	LABEL, HOW TO START	1					
5	1	114299-07111	LABEL, YANMAR MARK B	1					
6	1	114299-07160	LABEL, DIESEL	1					
13	1	114220-07130	LABEL, HOT SURFACE	1					
15	1	114220-07160	LABEL, THAI	1					

Fig.4. CYLINDER HEAD & BONNET



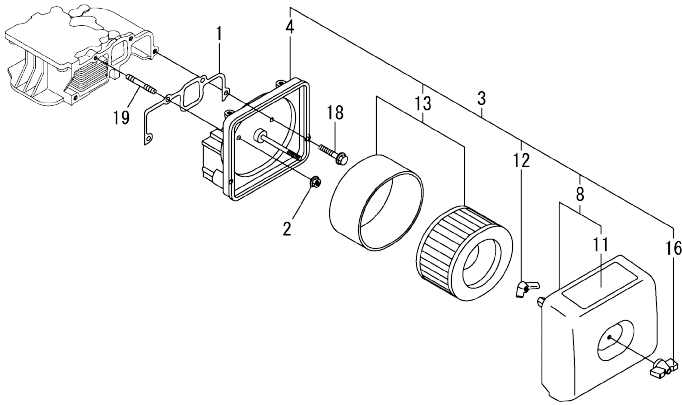
(A)=L100N6-MEPEAYI  
(B)=  
(C)=

(D)=  
(E)=  
(F)=

No.	Lev.	Parts No.	Description	Qty						I	R
				(A)	(B)	(C)	(D)	(E)	(F)		
1	1	114310-01200	BOLT, HEAD A	2							
2	1	114310-01210	BOLT, HEAD B	2							
3	1	11432C-11020	HEAD ASSY, CYLINDER	1							
8	1	11431C-11100	VALVE, INTAKE	1							
9	1	11431C-11110	VALVE, EXHAUST	1							
10	1	114310-11120	SPRING, VALVE	2							
11	1	114310-11180	RETAINER, SPRING	2							
12	1	114310-11930	COTTER ASSY	2							
14	1	11431C-11250	SUPPORT ASSY, ARM	1							
15	2	11431C-11260	SUPPORT, ROCKER ARM	1							
16	2	11431C-11650	ARM, ROCKER	1							
18	3	114250-11240	SCREW, VALVE ADJUST	1							
19	3	26856-060002	NUT, M6	1							
20	2	11431C-11660	ARM, ROCKER	1							
22	3	114250-11240	SCREW, VALVE ADJUST	1							
23	3	26856-060002	NUT, M6	1							
24	2	22242-000150	RING, 15	2							
25	1	114310-11290	BOLT, SUPPORT	2							
26	1	114650-11341	SEAL, VALVE STEM	2							
27	1	104211-11370	CAP, VALVE	2							
28	1	114240-11450	PROTECTOR, NOZZLE	1							
29	1	114240-11550	SEAT, NOZZLE	1							
30	1	114699-11600	WASHER	2							
31	1	114210-11901	RETAINER, VALVE	1							
32	1	22351-040008	PIN, SPRING 4.0X 8	1							
33	1	26226-060552	STUD, M6X 55	2							
34	1	26366-060002	NUT, M6	2							
36	1	114310-11310	GASKET, BONNET	1							
37	1	114310-11950	BONNET ASSY, HEAD	1							
39	2	114210-03590	DECOMPRESSION ASSY	1							
42	2	114299-03640	SPRING, DECOMPRESSION	1							
45	2	22312-030160	PIN, PARALLEL M3X16	1							
49	1	26106-060652	BOLT, M6X 65 PLATED	3							

OCC50-M03790 ENGINE  
 Fig.5. AIR CLEANER

OCC50-M03790 Fig.5



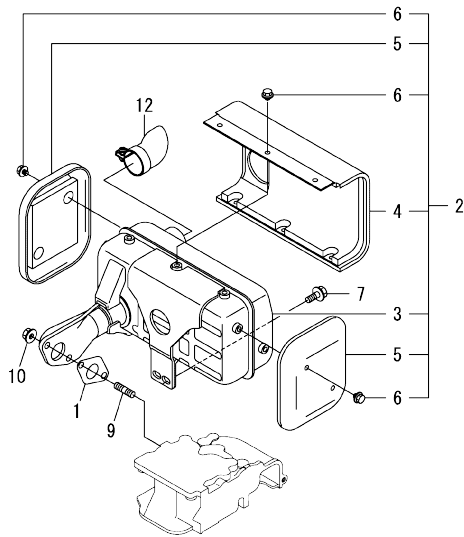
(A)=L100N6-MEPEAY1  
 (B)=  
 (C)=

(D)=  
 (E)=  
 (F)=

No.	Lev.	Parts No.	Description	Q'ty						I	R
				(A)	(B)	(C)	(D)	(E)	(F)		
1	1	114310-12210	GASKET, AIR CLEANER	1							
2	1	114299-12300	NUT	3							
3	1	114310-12511	CLEANER ASSY, AIR	1							
4	2	114310-12010	BODY ASSY, CLEANER	1							
8	2	114210-12500	COVER ASSY, CLEANER	1							
11	3	114210-12610	LABEL, AIR CLEANER	1							
12	2	114210-12560	NUT, WING	1							
13	2	114210-12590	ELEMENT ASSY	1							
16	2	114210-12600	KNOB	1							
18	1	26106-060402	BOLT, M6X 40 PLATED	1							
19	1	26226-060352	STUD, M6X 35	3							



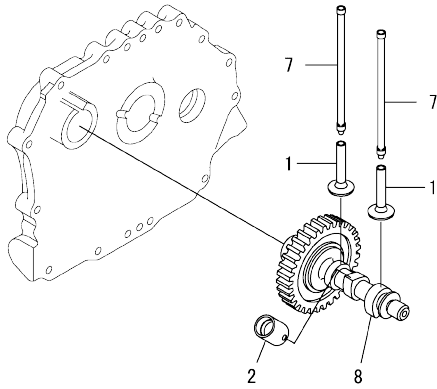
Fig.6. EXHAUST MUFFLER



No.	Lev.	Parts No.	Description	Q'ty					
				(A)	(B)	(C)	(D)	(E)	(F)
1	1	114310-13200	GASKET, MUFFLER	1					
2	1	11431C-13550	MUFFLER ASSY	1					
3	2	11431C-13560	MUFFLER	1					
4	2	11431C-13700	COVER, MUFFLER A	1					
5	2	11431C-13710	COVER	2					
6	2	11431C-13720	BOLT, M6	10					
7	1	26106-080202	BOLT, M8X 20 PLATED	2					
9	1	26216-080182	STUD, M8X 18	2					
10	1	26306-080002	NUT, M8	2					
12	1	114320-13800	DEFLECTOR ASSY, EXH	1					

OCC50-M03790 ENGINE  
 Fig.7. CAMSHAFT

OCC50-M03790 Fig.7

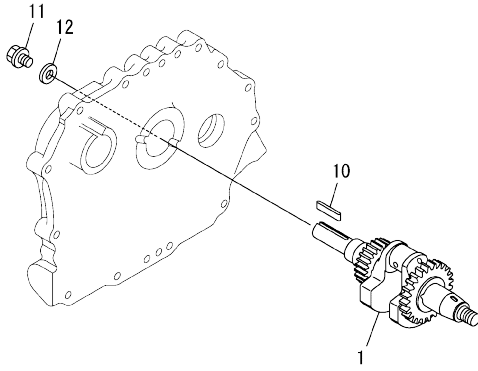


(A)=L100N6-MEPEAY1  
 (B)=  
 (C)=

(D)=  
 (E)=  
 (F)=

No.	Lev.	Parts No.	Description	Q'ty					
				(A)	(B)	(C)	(D)	(E)	(F)
1	1	114310-14200	TAPPET	2					
2	1	114210-14300	TAPPET ASSY, ROLLER	1					
7	1	114320-14400	ROD ASSY, PUSH	2					
8	1	11432C-14580	CAMSHAFT ASSY	1					

Fig.8. CRANKSHAFT

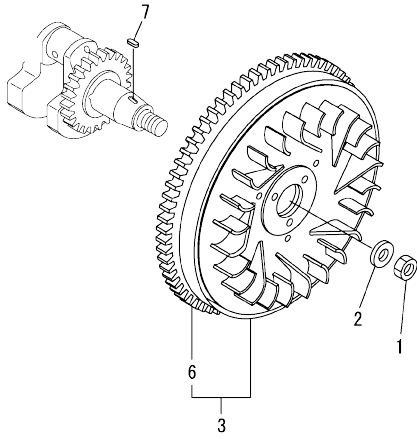


(A)=L100N6-MEPEAYI  
(B)=  
(C)=

(D)=  
(E)=  
(F)=

No.	Lev.	Parts No.	Description	Q'ty					
				(A)	(B)	(C)	(D)	(E)	(F)
1	1	11431C-21730	CRANKSHAFT ASSY,E-D	1					
10	1	160842-21150	KEY, FEATHER 6.3X50	1					
11	1	160842-21250	BOLT, 7/16-20UNF	1					
12	1	160842-21260	WASHER, PULLEY	1					

OCC50-M03790 ENGINE  
 Fig.9. FLYWHEEL



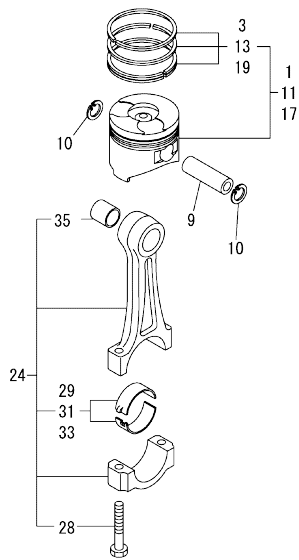
OCC50-M03790 Fig.9

(A)=L100N6-MEPEAY1  
 (B)=  
 (C)=

(D)=  
 (E)=  
 (F)=

No.	Lev.	Parts No.	Description	Q'ty						I	R
				(A)	(B)	(C)	(D)	(E)	(F)		
1	1	114699-21220	NUT, WHEEL	1							
2	1	114699-21550	WASHER, FLYWHEEL	1							
3	1	114699-21600	FLYWHEEL ASSY, DE	1							
6	2	114699-21630	GEAR, RING	1							
7	1	22512-050140	KEY, 5X 14	1							

Fig.10. PISTON & CONNECTING ROD



(A)=L100N6-MEPEAYI  
(B)=  
(C)=

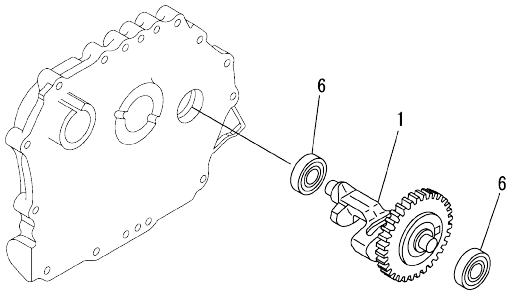
(D)=  
(E)=  
(F)=

No.	Lev.	Parts No.	Description	Q'ty						I	R
				(A)	(B)	(C)	(D)	(E)	(F)		
1	1	714320-22720	PISTON ASSY, D	1							
3	2	714310-22500	RING SET, PISTON	1							
9	1	114699-22300	PIN, PISTON D=23	1							
10	1	114310-22500	RING, SEEGER J23	2							
11	1	714320-22620	PISTON ASSY, 0.25 OS	1							1
13	2	714310-22540	RING SET, PISTON .25	1							1
17	1	714320-22580	PISTON ASSY, 0.50 OS	1							2
19	2	714310-22550	RING SET, PISTON .50	1							2
24	1	11432C-23700	ROD ASSY, CONNECTING	1							
28	3	114310-23200	BOLT, CONNECTING ROD	2							
29	2	114940-23600	METAL ASSY, CRANK PIN	1							
31	1	114940-23610	METAL ASSY, PIN .25	1							1
33	1	114940-23620	METAL ASSY, PIN .50	1							2
35	1	114940-23910	BUSH, PISTON PINN	1							3

Remarks  
(1)Over-sized(O.S.=0.25) parts.  
(2)Over-sized(O.S.=0.50) parts.  
(3)Spare parts.

OCC50-M03790 ENGINE

Fig.11. BALANCER SHAFT



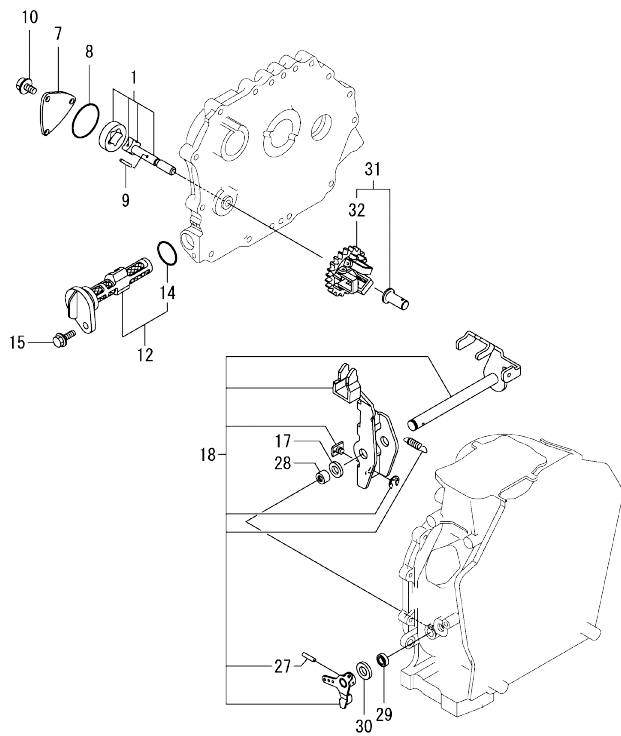
OCC50-M03790 Fig.11

(A)=L100N6-MEPEAY1  
(B)=  
(C)=

(D)=  
(E)=  
(F)=

No.	Lev.	Parts No.	Description	Q'ty					
				(A)	(B)	(C)	(D)	(E)	(F)
1	1	714310-28510	SHAFT ASSY, BALANCER	1					
6	1	24101-063040	BEARING, BALL 6304C3	2					

Fig.12. LUB. OIL PUMP & GOVERNOR



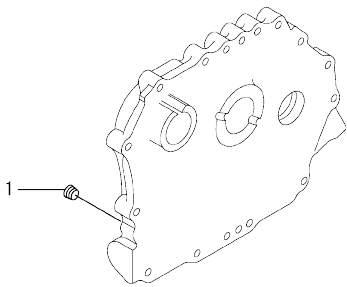
No.	Lev.	Parts No.	Description	Q'ty						I	R
				(A)	(B)	(C)	(D)	(E)	(F)		
1	1	114650-32010	PUMP ASSY, OIL	1							
7	1	114299-32070	COVER, OIL PUMP	1							
8	1	114299-32570	O-RING, PUMP COVER	1							
9	1	22312-030160	PIN, PARALLEL M3X16	1							
10	1	26106-060122	BOLT, M6X 12 PLATED	3							
12	1	114299-35110	FILTER ASSY, OIL	1							
14	2	24341-000224	O-RING, 1AS22.4	1							
15	1	26106-060162	BOLT, M6X 16 PLATED	1							
17	1	114299-61190	WASHER, GOVERNOR	1							
18	1	114311-61500	LEVER ASSY, GOVERNOR	1							1
27	2	22322-030200	PIN, TAPER 3X20	1							
28	1	114770-61520	BEARING, NEEDLE	2							
29	1	114299-61600	SEAL, OIL	1							
30	1	114770-61610	WASHER, THRUST	1							
31	1	714210-61701	GOVERNOR ASSY	1							
32	2	114210-61290	WEIGHT ASSY, GOVERNOR	1							

Remarks

(1) On a guarantee of quality, component parts shall not be sold.

OCC50-M03790 ENGINE

Fig.13. SWITCH CAP(OIL PRESSURE)



OCC50-M03790 Fig.13

(A)=L100N6-MEPEAY1  
(B)=  
(C)=

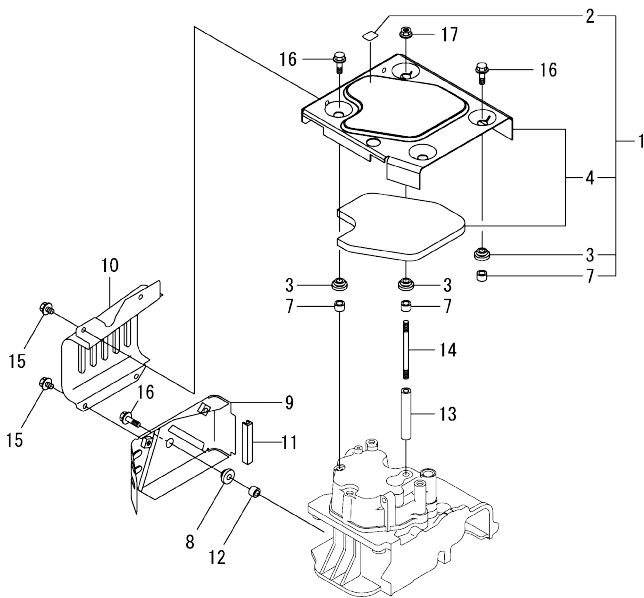
(D)=  
(E)=  
(F)=

No.	Lev.	Parts No.	Description	Q'ty						I	R
				(A)	(B)	(C)	(D)	(E)	(F)		
1	1	23876-010000	PLUG, R01	1							



OCC50-M03790 ENGINE  
 Fig.14. COVER

OCC50-M03790 Fig.14

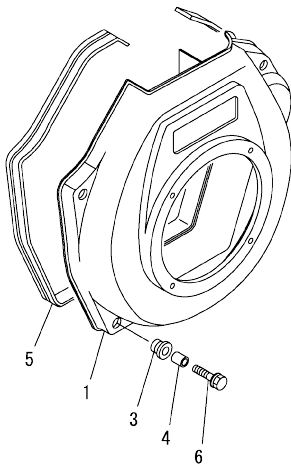


(A)=L100N6-MEPEAYI  
 (B)=  
 (C)=

(D)=  
 (E)=  
 (F)=

No.	Lev.	Parts No.	Description	Q'ty					
				(A)	(B)	(C)	(D)	(E)	(F)
1	1	114320-45210	COVER ASSY, TOP	1					
2	2	114220-07120	LABEL, DECOMPRESSION	1					
3	2	114299-45220	GROMMET, TANK	4					
4	2	114310-45320	COVER, TOP	1					
7	2	114399-45340	COLLAR	4					
8	1	114299-45220	GROMMET, TANK	1					
9	1	114310-45260	COVER, SIDE B	1					
10	1	114310-45270	COVER, SIDE A	1					
11	1	114399-45320	RUBBER, SEAL	1					
12	1	114399-45340	COLLAR	1					
13	1	114310-45350	SPACER, TOP COVER	1					
14	1	114310-45360	STUD, M6X77	1					
15	1	26106-060082	BOLT, M6X 8 PLATED	4					
16	1	26106-060202	BOLT, M6X 20 PLATED	4					
17	1	26366-060002	NUT, M6	1					

Fig.15. COOLING FAN CASE

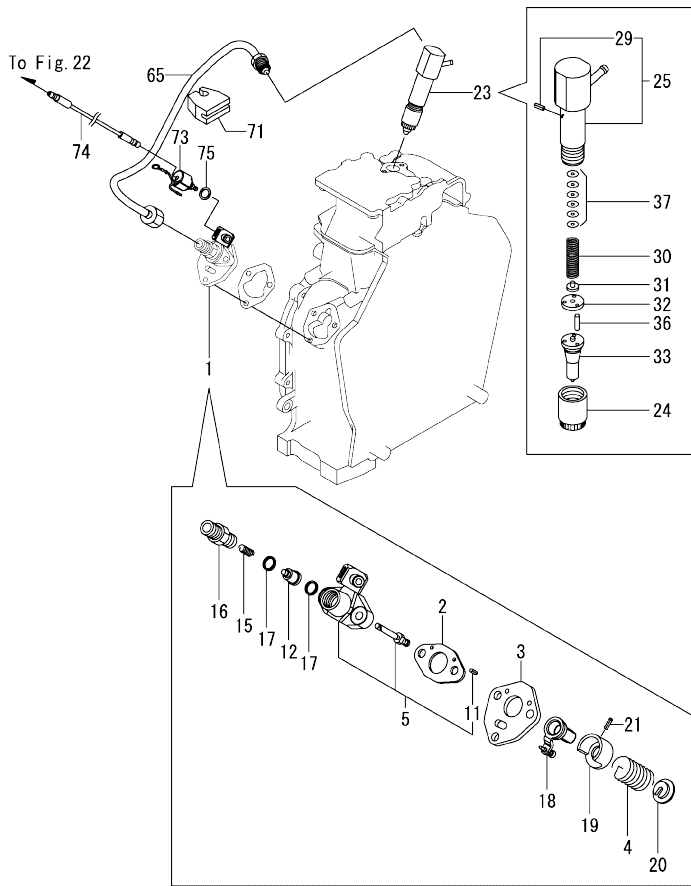


(A)=L100N6-MEPEAYI  
(B)=  
(C)=

(D)=  
(E)=  
(F)=

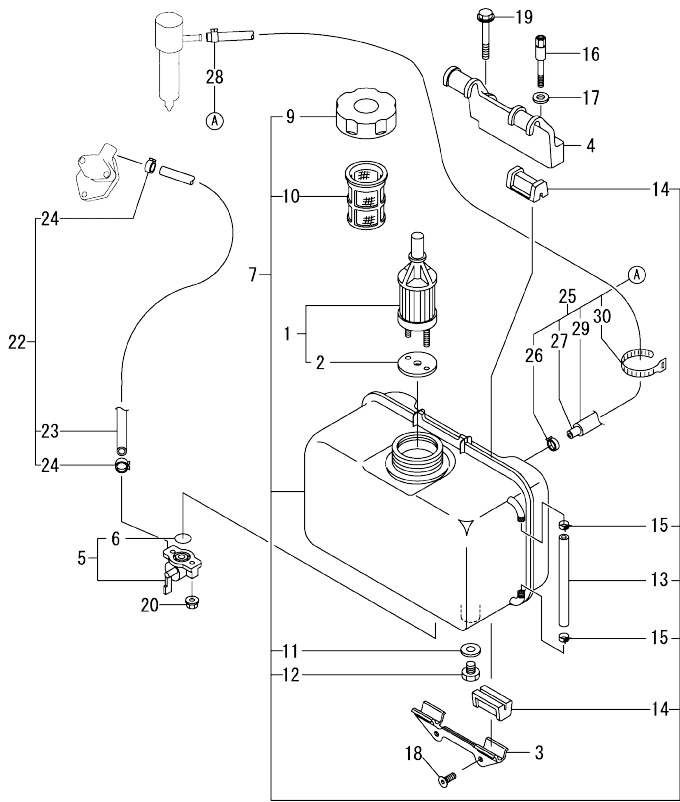
No.	Lev.	Parts No.	Description	Q'ty						I	R
				(A)	(B)	(C)	(D)	(E)	(F)		
1	1	114310-45150	CASE, COOLING FAN	1							
3	1	114299-45301	RUBBER, FAN CASE	4							
4	1	114299-45310	COLLAR, FAN CASE	4							
5	1	114699-45331	SEAL, FAN CASE	1							
6	1	114299-45350	BOLT, FAN CASE	4							

Fig.16. FUEL INJECTION PUMP & FUEL INJECTION VALVE



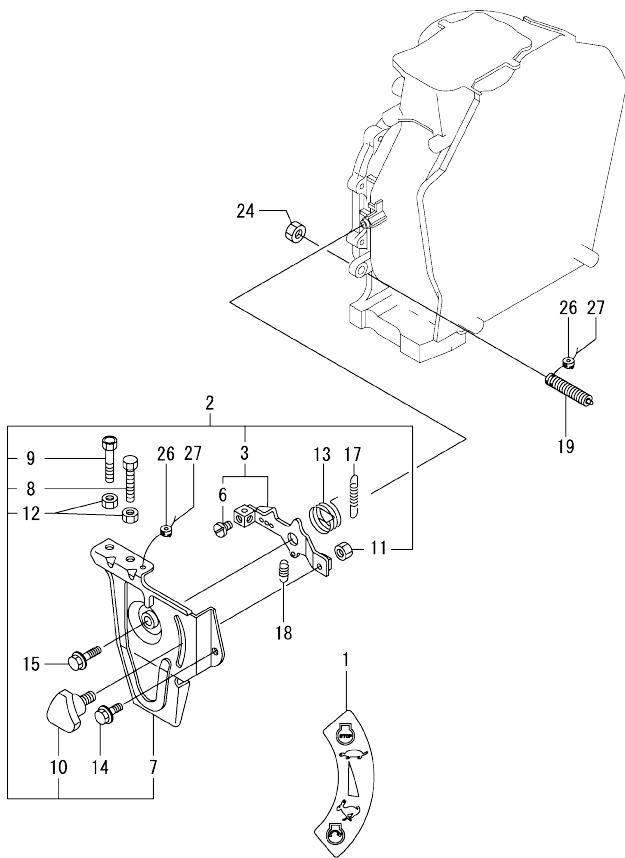
No.	Lev.	Parts No.	Description	Qty						I	R
				(A)	(B)	(C)	(D)	(E)	(F)		
1	1	714339-51300	PUMP ASSY, INJECTION	1							
2	2	105546-51020	GASKET, PUMP BODY	1							
3	2	114250-51080	PLATE	1							
4	2	114250-51160	SPRING, PLUNGER	1							
5	2	114339-51200	BODY ASSY, PUMP	1							
11	4	22351-020006	PIN, SPRING 2.0X 6	2							
12	2	114650-51300	VALVE ASSY, DELIVERY	1							
15	2	105546-51330	SPRING, DELIVERY	1							
16	2	114250-51340	HOLDER, DELIVERY	1							
17	2	124550-51350	GASKET, DELIVERY	2							
18	2	114250-51500	LEVER, CONTROL	1							
19	2	114250-51640	SEAT, SPRING A	1							
20	2	114250-51650	SEAT, SPRING B	1							
21	2	22351-030008	PIN, SPRING 3.0X 8	1							
23	1	714339-53200	VALVE ASSY, INJECTION	1							
24	2	114250-53080	NUT, NOZZLE	1							
25	2	114339-53100	HOLDER ASSY, NOZZLE	1							
29	3	22351-025005	PIN, SPRING 2.5X 6	1							
30	2	114250-53120	SPRING, NOZZLE	1							
31	2	114250-53130	SEAT, SPRING	1							
32	2	114250-53140	SPACER, VALVE STOP	1							
33	2	114339-53200	VALVE ASSY, INJECTION	1							
36	2	114250-53210	PIN, POSITIONING	2							
37	2	119803-53400	SHIM SET	1							
65	1	114310-59800	PIPE ASSY, INJECTION	1							
71	1	114699-59850	SUPPORT, PIPE	1							
73	1	114110-76910	VALVE ASSY, FUEL CUT	1							
74	1	114720-78200	WIRE, LEAD	1							
75	1	114299-83020	GASKET, 10X1.2	1							

Fig.17. FUEL TANK & FUEL PIPE



No.	Lev.	Parts No.	Description	Q'ty						I	R
				(A)	(B)	(C)	(D)	(E)	(F)		
1	1	114250-55122	FILTER ASSY,FUEL OIL	1							
2	2	114250-55130	GASKET	1							
3	1	114210-55220	STAY, FUEL TANK A	1							
4	1	114310-55230	STAY, FUEL TANK B	1							
5	1	114240-55300	COCK ASSY, FUEL	1							
6	2	24311-000125	O-RING, 1AP12.5	1							
7	1	11432C-55730	TANK ASSY, FUEL OIL	1							
9	2	114299-55040	CAP ASSY, FUEL TANK	1							
10	2	114299-55110	STRAINER, FUEL TANK	1							
11	2	23414-080000	GASKET, 8X1.0	1							
12	2	114299-55080	PLUG, DRAIN	1							
13	2	114339-55150	GAUGE, LEVEL	1							
14	2	114740-55200	DAMPER, FUEL TANK	4							
15	2	23080-007000	CLAMP, 7	2							
16	1	114210-55810	BOLT, LIFTING	1							
17	1	22117-080000	WASHER, 8	1							
18	1	114210-55300	BOLT	2							
19	1	26106-080452	BOLT, M8X 45 PLATED	1							
20	1	26366-060002	NUT, M6	2							
22	1	114780-59010	PIPE ASSY, FUEL L50	1							
23	2	114780-59060	PIPE, FUEL L=50	1							
24	2	23080-014000	CLAMP, 14	2							
25	1	114339-59301	PIPE ASSY, FO RETURN	1							
26	2	124722-59050	CLAMP, HOSE 9	1							
27	2	114310-59061	PIPE, FO RETURN	1							
28	2	124066-59100	CLAMP, HOSE 8	1							
29	2	114310-59310	HOSE, PROTECTION	1							
30	2	121750-59890	BAND, NYLON	1							

Fig.18. CONTROL DEVICE

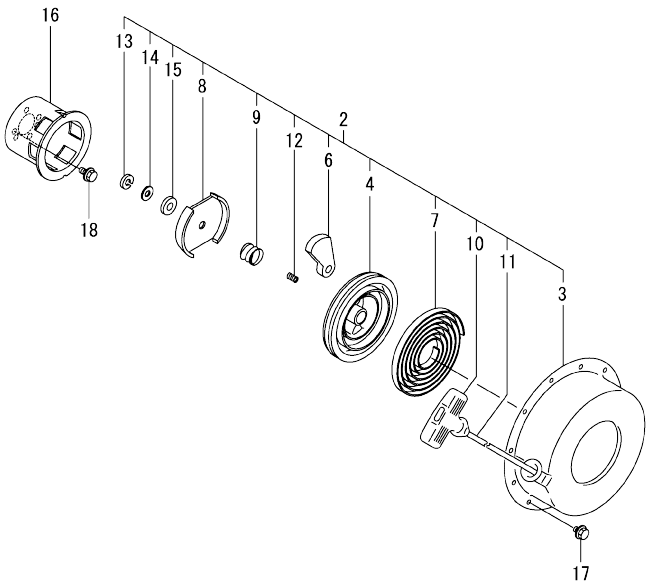


(A)=L100N6-MEPEAYI  
(B)=  
(C)=

(D)=  
(E)=  
(F)=

No.	Lev.	Parts No.	Description	Q'ty						I	R
				(A)	(B)	(C)	(D)	(E)	(F)		
1	1	114220-07160	LABEL, THAI	1							
2	1	714210-66100	CONTROL ASSY, SPEED	1							
3	2	114210-66060	HANDLE ASSY	1							
6	3	26117-050089	BOLT, M5X 8 PLATED	1							
7	2	114210-66100	BRACKET, REGULATOR	1							
8	2	114299-66440	BOLT, ADJUSTER	1							
9	2	114299-67080	BOLT, ADJUST	1							
10	2	160725-78350	BOLT, KNOB M6X15	1							
11	2	26347-060002	NUT, M6	1							
12	2	26857-060002	NUT, M6	2							
13	1	114299-66250	SPRING, RETURN	1							
14	1	26106-060142	BOLT, M6X 14 PLATED	1							
15	1	26106-060202	BOLT, M6X 20 PLATED	1							
17	1	114320-66010	SPRING, REGULATOR	1							
18	1	114299-66201	SPRING, RETURN	1							
19	1	114322-66600	LIMITER ASSY, FO	1							
24	1	114295-66690	NUT, LOCK M14	1							
26	1	114780-61090	TIN	2							
27	1	22451-060000	WIRE, 0.6	2							

Fig.19. RECOIL STARTER

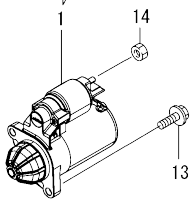
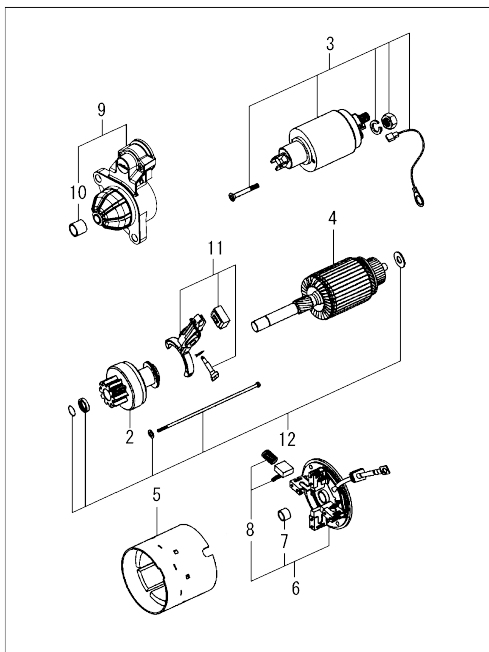


(A)=L100N6-MEPEAY1  
(B)=  
(C)=

(D)=  
(E)=  
(F)=

No.	Lev.	Parts No.	Description	Q'ty					
				(A)	(B)	(C)	(D)	(E)	(F)
2	2	114699-76251	STARTER ASSY, RECOIL	1					
3	3	114699-76510	CASE, STARTER	1					
4	3	114699-76521	REEL, RECOIL STARTER	1					
6	3	114699-76531	RATCHET	2					
7	3	114399-76540	SPRING, SPIRAL	1					
8	3	114699-76551	GUIDE, RATCHET	1					
9	3	114699-76560	SPRING, FRICTION	1					
10	3	114399-76620	KNOB, STARTER	1					
11	3	114699-76630	ROPE, STARTER	1					
12	3	114699-76650	SPRING, COMPRESSION	1					
13	3	114699-76660	RING, RETAINING	1					
14	3	114699-76670	WASHER	1					
15	3	114699-76680	WASHER	1					
16	2	114699-76592	PULLEY, STARTER	1					
17	1	26106-060082	BOLT, M6X 8 PLATED	4					
18	1	26106-060122	BOLT, M6X 12 PLATED	3					

Fig.20. STARTER MOTOR

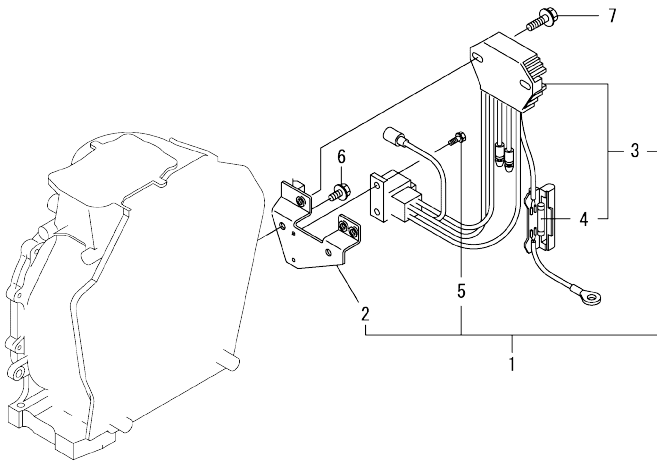


(A)=L100N6-MEPEAYI  
(B)=  
(C)=

(D)=  
(E)=  
(F)=

No.	Lev.	Parts No.	Description	Q'ty						I	R
				(A)	(B)	(C)	(D)	(E)	(F)		
1	1	114320-77010	MOTOR ASSY, STARTER	1							
2	2	114399-77040	CLUTCH ASSY, PINION	1							
3	2	114399-77060	SWITCH ASSY, MAGNET	1							
4	2	114320-77110	ARMATURE ASSY	1							
5	2	114320-77130	YOKE ASSY	1							
6	2	114399-77140	COVER ASSY, REAR	1							
7	3	114399-77050	BUSH, REAR	1							
8	3	114399-77160	HOLDER ASSY, BRUSH	4							
9	2	114399-77150	CASE ASSY, GEAR	1							
10	3	114399-77030	BUSH, TOP	1							
11	2	114399-77180	LEVER KIT, SHIFT	1							
12	2	114320-77770	BOLT ASSY, THROUGH	2							
13	1	26106-100302	BOLT, M10X 30 PLATED	2							
14	1	26716-080002	NUT, M8	1							

Fig.21. ELECTRIC PARTS



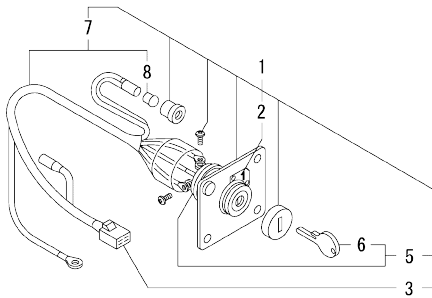
(A)=L100N6-MEPEAY1  
(B)=  
(C)=

(D)=  
(E)=  
(F)=

No.	Lev.	Parts No.	Description	Q'ty						I	R
				(A)	(B)	(C)	(D)	(E)	(F)		
1	1	114399-77560	REGULATOR ASSY	1							
2	2	114399-77410	BRACKET, HARNESS	1							
3	2	114399-77720	REGULATOR	1							
4	3	114399-78000	FUSE, 20A	1							
5	2	26023-040102	SCREW, M4X10	2							
6	1	26106-060122	BOLT, M6X 12 PLATED	2							
7	1	26106-060202	BOLT, M6X 20 PLATED	2							



Fig.22. KEY SWITCH

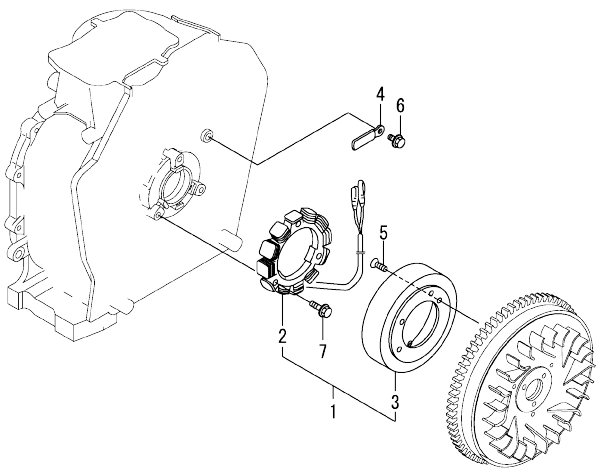


(A)=L100N6-MEPEAYI  
(B)=  
(C)=

(D)=  
(E)=  
(F)=

No.	Lev.	Parts No.	Description	Q'ty					
				(A)	(B)	(C)	(D)	(E)	(F)
1	1	114220-77500	PANEL ASSY, SWITCH	1					
2	2	114220-07170	LABEL, START SWITCH	1					
3	2	114351-77520	COUPLER	1					
5	2	106100-77620	SWITCH, KEY	1					
6	3	106100-77630	KEY, SWITCH	1					
7	2	114351-77700	HARNES, WIRE	1					
8	3	29220-083200	BULB (12V/3.4W)	1					

OCC50-M03790 ENGINE  
 Fig.23. DYNAMO



OCC50-M03790 Fig.23

(A)=L100N6-MEPEAY1  
 (B)=  
 (C)=

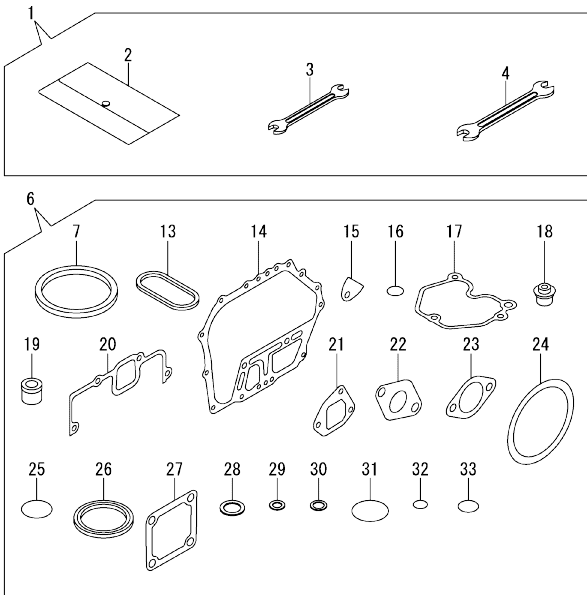
(D)=  
 (E)=  
 (F)=

No.	Lev.	Parts No.	Description	Q'ty					
				(A)	(B)	(C)	(D)	(E)	(F)
1	1	114399-78280	DINAMO ASSY, 15A	1					
2	2	114399-78770	STATOR ASSY	1					
3	2	114399-78780	WHEEL, DYNAMO	1					
4	1	160710-78710	CLAMP, CORD	1					
5	1	114210-78800	SCREW, M6	3					
6	1	26106-060122	BOLT, M6X 12 PLATED	1					
7	1	26106-060202	BOLT, M6X 20 PLATED	3					

Fig.24. GASKET SET & TOOL

(A)=L100N6-MEPEAYI  
(B)=  
(C)=

(D)=  
(E)=  
(F)=



No.	Lev.	Parts No.	Description	Q'ty						I	R
				(A)	(B)	(C)	(D)	(E)	(F)		
1	1	114299-92590	TOOL ASSY	1							
2	2	114299-92600	BAG, TOOL	1							
3	2	114299-92710	WRENCH	1							
4	2	114299-92720	WRENCH	1							
6	1	114320-92600	GASKET SET	1							1
7	2	114695-01331	GASKET, HEAD	1							
13	2	114699-01380	O-RING, TAPPET	1							
14	2	114699-01410	GASKET, CASE COVER	1							
15	2	114250-01841	GASKET, COVER	1							
16	2	114299-01950	O-RING, 18	2							
17	2	114310-11310	GASKET, BONNET	1							
18	2	114650-11341	SEAL, VALVE STEM	2							
19	2	114771-11461	GASKET, NOZZLE	1							
20	2	114310-12210	GASKET, AIR CLEANER	1							
21	2	114699-12210	GASKET, AIR CLEANER	2							
22	2	114310-13200	GASKET, MUFFLER	1							
23	2	18367-1-13211	GASKET, MUFFLER PIPE	1							
24	2	114399-21980	GASKET	1							
25	2	114299-32570	O-RING, PUMP COVER	1							
26	2	160393-55050	GASKET	4							
27	2	129100-77510	GASKET, AIR HEATER	3							
28	2	22190-160002	WASHER, SEAL 16	2							
29	2	23414-080000	GASKET, 8X1.0	1							
30	2	23414-120000	GASKET, 12X1.0	1							
31	2	24311-000400	O-RING, 1AP40.0	1							
32	2	24341-000150	O-RING, 1AS15.0	2							
33	2	24341-000224	O-RING, 1AS22.4	1							

Remarks

(1)Optional parts.

## Parts No. Index

Parts No.	Fig. No.	Ref. No.	Parts No.	Fig. No.	Ref. No.	Parts No.	Fig. No.	Ref. No.	Parts No.	Fig. No.	Ref. No.
104211-11370	4	27	114299-01600	1	7	114310-13200	6	1	114399-21980	24	24
105546-51020	16	2	114299-01690	2	1		24	22	114399-45320	14	11
105546-51330	16	15	114299-01800	1	8	114310-14200	7	1	114399-45340	14	7
106100-77620	22	5	114299-01830	1	21	114310-22500	10	10			12
106100-77630	22	6	114299-01950	2	4	114310-23200	10	28	114399-76540	19	7
114110-76910	16	73		24	16	114310-45150	15	1	114399-76620	19	10
114210-03590	4	39	114299-02030	1	40	114310-45260	14	9	114399-77030	20	10
114210-11901	4	31	114299-03640	4	42	114310-45270	14	10	114399-77040	20	2
114210-12500	5	8	114299-07101	3	3	114310-45320	14	4	114399-77050	20	7
114210-12560	5	12	114299-07111	3	5	114310-45350	14	13	114399-77060	20	3
114210-12590	5	13	114299-07160	3	6	114310-45360	14	14	114399-77140	20	6
114210-12600	5	16	114299-12300	5	2	114310-55230	17	4	114399-77150	20	9
114210-12610	5	11	114299-32070	12	7	114310-59061	17	27	114399-77160	20	8
114210-14300	7	2	114299-32070	12	8	114310-59310	17	29	114399-77180	20	11
114210-55220	17	3	114299-32570	24	25	114310-59800	16	65	114399-77410	21	2
114210-55300	17	18		12	12	114311-01450	1	30	114399-77560	21	1
114210-55810	17	16	114299-35150	1	35	114311-61500	12	18	114399-77720	21	3
114210-61290	12	32	114299-45220	14	3	11431C-11100	4	8	114399-78000	21	4
114210-66060	18	3			8	11431C-11110	4	9	114399-78280	23	1
114210-66100	18	7	114299-45301	15	3	11431C-11250	4	14	114399-78770	23	2
114210-78800	23	5	114299-45310	15	4	11431C-11260	4	15	114399-78780	23	3
114220-07100	3	2	114299-45350	15	6	11431C-11650	4	16	114650-02150	1	41
114220-07110	3	4	114299-55040	17	9	11431C-11660	4	20	114650-11341	4	26
114220-07120	14	2	114299-55080	17	12	11431C-13550	6	2		24	18
114220-07130	3	13	114299-55110	17	10	11431C-13560	6	3	114650-32010	12	1
114220-07160	3	15	114299-61190	12	17	11431C-13700	6	4	114650-51300	16	12
	18	1	114299-61600	12	29	11431C-13710	6	5	114695-01331	24	7
114220-07170	22	2	114299-66201	18	18	11431C-13720	6	6	114695-01341	1	5
114220-77500	22	1	114299-66250	18	13	11431C-21730	8	1	114699-01380	1	6
114240-11450	4	28	114299-66440	18	8	114320-13800	6	12		24	13
114240-11550	4	29	114299-67080	18	9	114320-14400	7	7	114699-01410	1	29
114240-55300	17	5	114299-83020	16	75	114320-45210	14	1		24	14
114250-01841	1	22	114299-92590	24	1	114320-66010	18	17	114699-01760	2	2
	24	15	114299-92600	24	2	114320-77010	20	1	114699-11600	4	30
114250-11240	4	18	114299-92710	24	3	114320-77110	20	4	114699-12210	24	21
		22	114299-92720	24	4	114320-77130	20	5	114699-21220	9	1
114250-51080	16	3	114310-01010	1	1	114320-77770	20	12	114699-21550	9	2
114250-51160	16	4	114310-01200	4	1	114320-92600	24	6	114699-21600	9	3
114250-51340	16	16	114310-01210	4	2	114322-66600	18	19	114699-21630	9	6
114250-51500	16	18	114310-11120	4	10	11432C-11020	4	3	114699-22300	10	9
114250-51640	16	19	114310-11180	4	11	11432C-14580	7	8	114699-45331	15	5
114250-51650	16	20	114310-11290	4	25	11432C-23700	10	24	114699-59850	16	71
114250-53080	16	24	114310-11310	4	36	11432C-55730	17	7	114699-76251	19	2
114250-53120	16	30		24	17	114339-51200	16	5	114699-76510	19	3
114250-53130	16	31	114310-11930	4	12	114339-53100	16	25	114699-76521	19	4
114250-53140	16	32	114310-11950	4	37	114339-53200	16	33	114699-76531	19	6
114250-53210	16	36	114310-12010	5	4	114339-55150	17	13	114699-76551	19	8
114250-55122	17	1	114310-12210	5	1	114339-59301	17	25	114699-76560	19	9
114250-55130	17	2		24	20	114351-77520	22	3	114699-76592	19	16
114295-66690	18	24	114310-12511	5	3	114351-77700	22	7	114699-76630	19	11

## Parts No. Index

Parts No.	Fig. No.	Ref. No.
114699-76650	19	12
114699-76660	19	13
114699-76670	19	14
114699-76680	19	15
114720-78200	16	74
114740-55200	17	14
114770-61520	12	28
114770-61610	12	30
114771-11461	24	19
114780-59010	17	22
114780-59060	17	23
114780-61090	18	26
114940-02110	1	33
114940-02200	1	37
114940-02210	1	38
114940-23600	10	29
114940-23610	10	31
114940-23620	10	33
114940-23910	10	35
119803-53400	16	37
121750-59890	17	30
124066-59100	17	28
124550-51350	16	17
124722-59050	17	26
129100-77510	24	27
160393-55050	24	26
160710-78710	23	4
160725-78350	18	10
160842-21150	8	10
160842-21250	8	11
160842-21260	8	12
183671-13211	24	23
22117-080000	17	17
22190-160002	2	5
	24	28
22242-000150	4	24
22312-030160	4	45
	12	9
22312-040080	1	23
22322-030200	12	27
22351-020006	16	11
22351-025005	16	29
22351-030008	16	21
22351-040008	4	32
22451-060000	18	27
22512-050140	9	7
23080-007000	17	15
23080-014000	17	24
23414-080000	17	11
	24	29

Parts No.	Fig. No.	Ref. No.
23414-120000	24	30
23875-020000	1	24
23876-010000	13	1
24101-063040	11	6
24162-152220	1	42
24311-000125	17	6
24311-000400	24	31
24341-000150	24	32
24341-000224	12	14
	24	33
24423-355008	1	43
		44
26023-040102	21	5
26106-060082	14	15
	19	17
26106-060122	12	10
	19	18
	21	6
	23	6
26106-060142	18	14
26106-060162	12	15
26106-060202	14	16
	18	15
	21	7
	23	7
26106-060402	5	18
26106-060652	4	49
26106-080122	1	45
26106-080202	6	7
26106-080352	1	36
26106-080452	17	19
26106-100302	20	13
26117-050089	18	6
26216-080182	6	9
26226-060182	1	25
26226-060222	1	26
26226-060352	5	19
26226-060552	4	33
26306-080002	6	10
26347-060002	18	11
26366-060002	1	27
	4	34
	14	17
	17	20
26716-080002	20	14
26856-060002	4	19
		23
26857-060002	18	12
29220-083200	22	8
714210-61701	12	31

Parts No.	Fig. No.	Ref. No.
714210-66100	18	2
714310-22500	10	3
714310-22540	10	13
714310-22550	10	19
714310-28510	11	1
714320-22580	10	17
714320-22620	10	11
714320-22720	10	1
714339-51300	16	1
714339-53200	16	23

Parts No.	Fig. No.	Ref. No.
-----------	----------	----------