

0CW10-M79600EN

P R E F A C E

1. This parts catalog is the 1st edition of L100N6FF1Z1JAFT for ERREPPI.

Pub.No. : 0CW10-G79600

Published : November, 2012

2. Model name

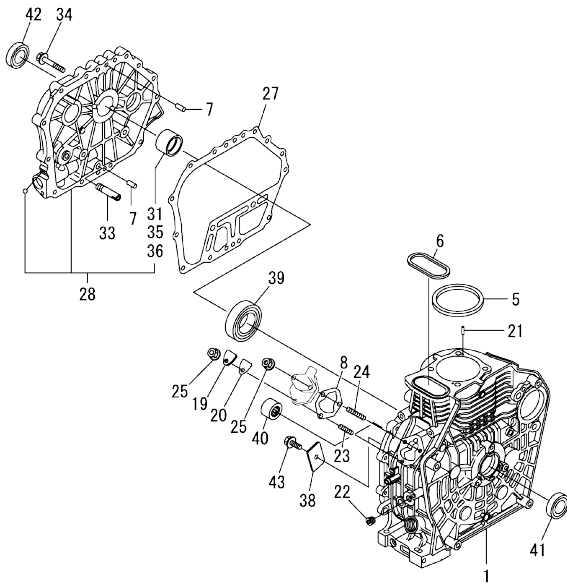
Engine model	Vehicle	Vehicle made by
L100N6FF1Z1JAFT	—	ERREPPI

Contents

0CW10-M79600

Fig. No.	Fig. Name	Fig. No.	Fig. Name
L100N6FF1Z1JAFT			
1.	CYLINDER BLOCK		
2.	HOUSING		
3.	DRAIN PLUG		
4.	LABEL		
5.	CYLINDER HEAD & BONNET		
6.	AIR CLEANER		
7.	EXHAUST MUFFLER		
8.	CAMSHAFT		
9.	CRANKSHAFT		
10.	FLYWHEEL		
11.	PISTON & CONNECTING ROD		
12.	BALANCER SHAFT		
13.	LUB.OIL PUMP & GOVERNOR		
14.	OIL PRESSURE SWITCH CAP		
15.	COVER		
16.	COOLING FAN CASE		
17.	F.I.PUMP & F.I.VALVE		
18.	FUEL TANK & FUEL PIPE		
19.	SPEED CONTROL DEVICE		
20.	RECOIL STARTER		
21.	TOOL & GASKET SET		

Fig.1. CYLINDER BLOCK



(A)=L100N6FF1Z1JAFT
(B)=
(C)=

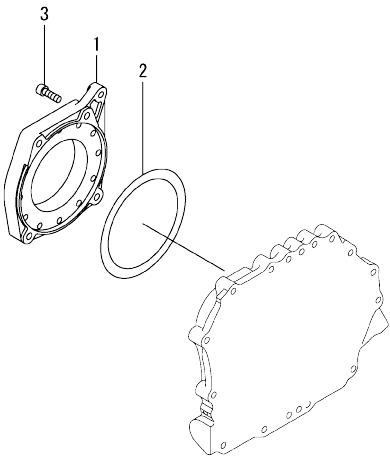
(D)=
(E)=
(F)=

No.	Lev.	Parts No.	Description	Q'ty						I	R
				(A)	(B)	(C)	(D)	(E)	(F)		
1	1	114310-01020	BLOCK ASSY, CYLINDER	1							
5	1	114695-01341	GASKET, HEAD 0.5	1							
6	1	114699-01380	O-RING	1							
7	1	114299-01600	PIN, 8X12	2							
8	1	114299-01800	SHIM SET	1							
19	1	114299-01830	COVER	1							
20	1	114250-01841	GASKET	1							
21	1	22312-040080	PIN, PARALLEL M4X 8	2							
22	1	23875-020000	PLUG, R02	1							
23	1	26226-060182	STUD, M6X 18	1							
24	1	26226-060222	STUD, M6X 22	2							
25	1	26366-060002	NUT, M6	3							
27	1	114699-01410	GASKET, CRANK CASE	1							
28	1	114310-01450	COVER(D, CRANK CASE	1							
31	2	114650-02100	BEARING, MAIN	1							1
33	1	114299-35150	PIPE, OIL INLET	1							
34	1	26106-080352	BOLT, M8X 35 PLATED	16							
35	1	114650-02200	BEARING, 0.25 US	1							2
36	1	114650-02210	BEARING, 0.50 US	1							3
38	1	114299-02030	RETAINER, BEARING	1							
39	1	114650-02150	BEARING, HR6308G3C3	1							
40	1	24162-152220	BEARING, 152220	1							
41	1	24423-355008	SEAL, OIL TC355008	1							
42	1	24423-355008	SEAL, OIL TC355008	1							
43	1	26106-080122	BOLT, M8X 12 PLATED	1							

Remarks

- (1)Spare parts.
- (2)Under sized(U.S.=0.25)parts.
- (3)Under sized(U.S.=0.50)parts.

Fig.2. HOUSING



(A)=L100N6FF1Z1JAFT
 (B)=
 (C)=

(D)=
 (E)=
 (F)=

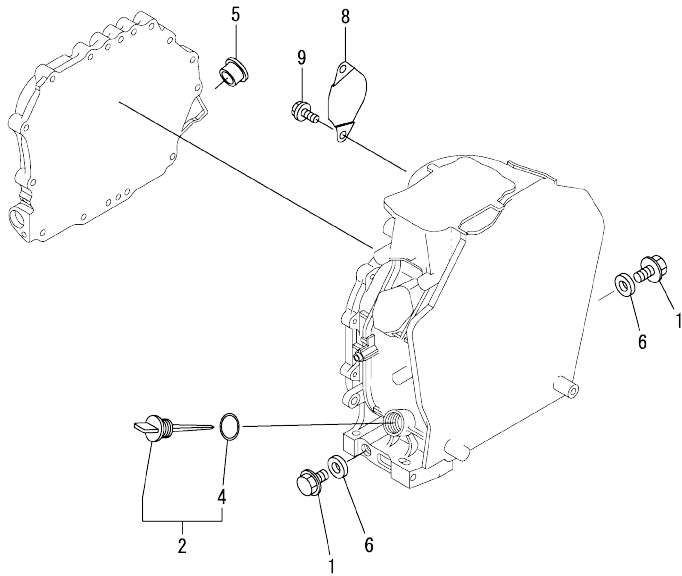
No.	Lev.	Parts No.	Description	Qty					
				(A)	(B)	(C)	(D)	(E)	(F)
1	1	114399-21960	FLANGE	1					
2	1	114399-21980	GASKET	1					
3	1	26453-080252	BOLT, M8X 25	4					

N:Old, ^{NEW}/_{OLD} → New, Q:Old ^{NEW}/_{OLD} → New, R:Old ^{NEW}/_{OLD} → New, S:Old ^{NEW}/_{OLD} → New, W:Add, Z:Discontinued, F:Interchangeable by set, K:Qty Change
 Copyright (C) YANMAR CO., LTD. All Rights Reserved.

0CW10-M79600 L100N6FF1Z1JAFT

Fig.3. DRAIN PLUG

0CW10-M79600 Fig.3

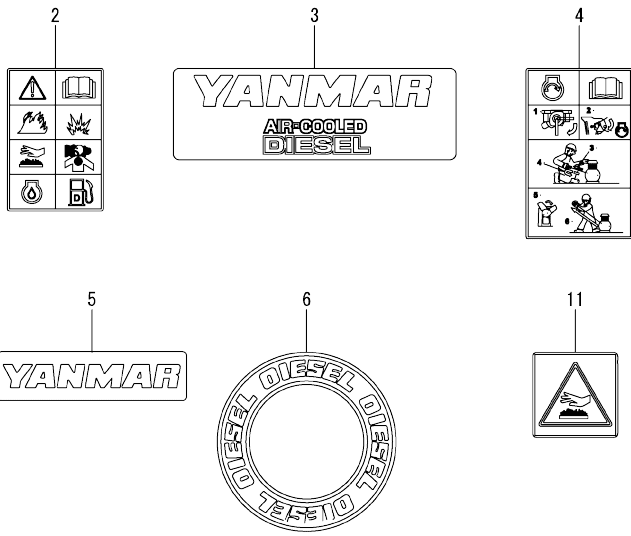


(A)=L100N6FF1Z1JAFT
(B)=
(C)=

(D)=
(E)=
(F)=

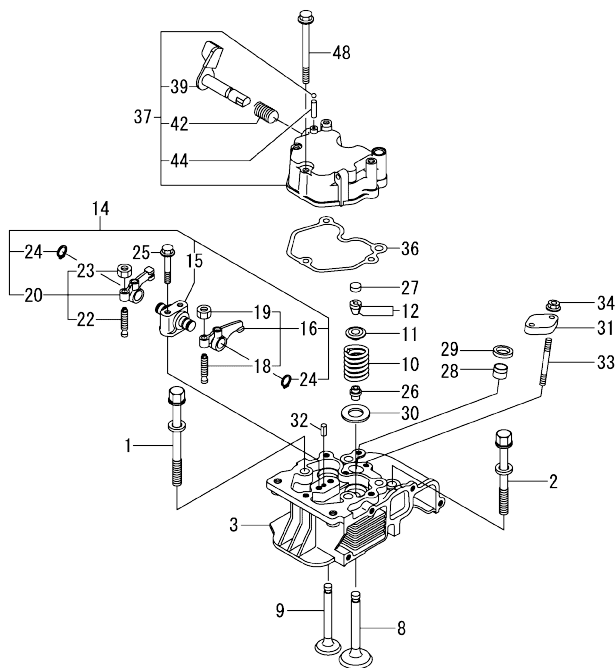
No.	Lev.	Parts No.	Description	Q'ty						I	R
				(A)	(B)	(C)	(D)	(E)	(F)		
1	1	114299-01690	PLUG, DRAIN 16	2							
2	1	114699-01760	CAP ASSY, OIL SUPPLY	1							
4	2	114299-01950	O-RING, 18	1							
5	1	160110-01870	PLUG, RUBBER 22	1							
5-1	1	114940-01870	PLUG, RUBBER 22	1							N
(A="2019.02)											
6	1	22190-160002	WASHER, SEAL 16	2							
8	1	114399-01700	COVER, STARTER	1							
9	1	26106-100122	BOLT, M10X 12 PLATED	2							

Fig.4. LABEL



No.	Lev.	Parts No.	Description	Q'ty					
				(A)	(B)	(C)	(D)	(E)	(F)
2	1	114220-07100	LABEL, CAUTION	1					
3	1	114299-07101	LABEL, YANMAR MARK A	1					
4	1	114220-07110	LABEL HOW TO START-E	1					
5	1	114299-07111	LABEL, YANMAR MARK B	1					
6	1	114299-07160	LABEL, DIESEL	1					
11	1	114220-07130	LABEL, HOT SURFACE	1					

Fig.5. CYLINDER HEAD & BONNET



(A)=L100N6FF1Z1JAFT
(B)=
(C)=

(D)=
(E)=
(F)=

No.	Lev.	Parts No.	Description	Qty						I	R
				(A)	(B)	(C)	(D)	(E)	(F)		
1	1	114310-01200	BOLT, CYL HEAD A	2							
2	1	114310-01210	BOLT, CYL HEAD B	2							
3	1	11432C-11020	HEAD ASSY, CYLINDER	1							
8	1	11431C-11100	VALVE, INTAKE	1							
9	1	11431C-11110	VALVE, EXHAUST	1							
10	1	114310-11120	SPRING, VALVE	2							
11	1	114310-11180	RETAINER, SPRING	2							
12	1	114310-11930	COTTER ASSY	2							
14	1	11431C-11250	SUPPORT ASSY, ARM	1							
15	2	11431C-11260	SUPPORT, ROCKER ARM	1							
16	2	11431C-11650	ARM, ROCKER	1							
18	3	114250-11240	SCREW, VALVE ADJUST	1							
19	3	26856-060002	NUT, M6	1							
20	2	11431C-11660	ARM, ROCKER	1							
22	3	114250-11240	SCREW, VALVE ADJUST	1							
23	3	26856-060002	NUT, M6	1							
24	2	22242-000150	RING, 15	2							
25	1	114310-11290	BOLT, SUPPORT	2							
26	1	114650-11341	SEAL, VALVE STEM	2							
27	1	104211-11370	CAP, VALVE	2							
28	1	114240-11450	PROTECTOR, NOZZLE	1							
29	1	114240-11550	SEAT, NOZZLE	1							
30	1	114699-11600	WASHER	2							
31	1	114210-11901	RETAINER, NOZZLE	1							
32	1	22351-040008	PIN, SPRING 4.0X 8	1							
33	1	26226-060552	STUD, M6X 55	2							
34	1	26366-060002	NUT, M6	2							
36	1	114310-11310	GASKET, BONNET	1							
37	1	114310-11950	BONNET ASSY, HEAD	1							
39	2	114210-03590	DECOMPRESSION ASSY	1							
42	2	114299-03640	SPRING, DECOMPRESSION	1							
44	2	22312-030160	PIN, PARALLEL M3X16	1							
48	1	26106-060652	BOLT, M6X 65 PLATED	3							

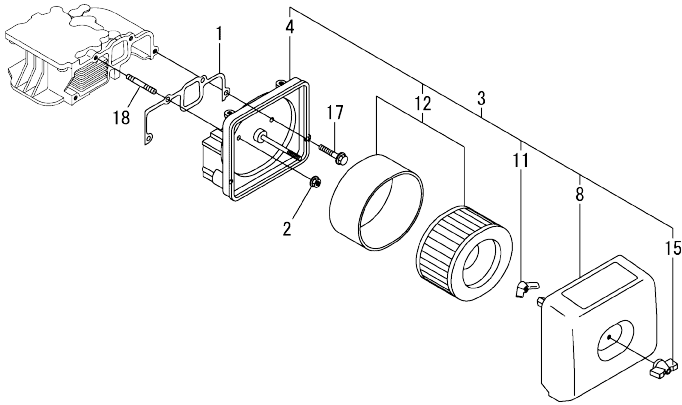
0CW10-M79600 L100N6FF1Z1JAFT

Fig.6. AIR CLEANER

0CW10-M79600 Fig.6

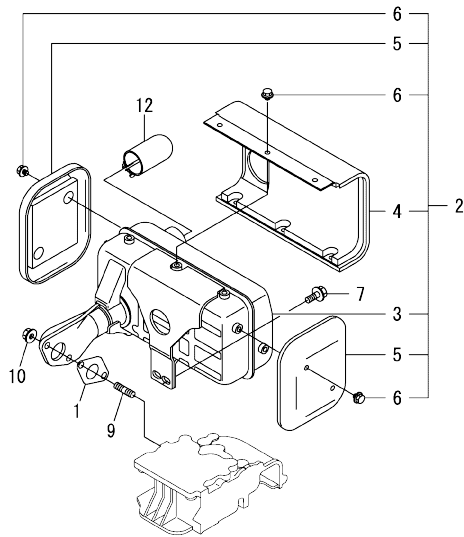
(A)=L100N6FF1Z1JAFT
(B)=
(C)=

(D)=
(E)=
(F)=



No.	Lev.	Parts No.	Description	Q'ty					
				(A)	(B)	(C)	(D)	(E)	(F)
1	1	114310-12210	GASKET, AIR CLEANER	1					
2	1	114299-12300	NUT	3					
3	1	114320-12550	CLEANER ASSY, AIR	1					
4	2	114310-12010	BODY ASSY, AIR CLNR	1					
8	2	114220-12500	COVER ASSY, AIR CLNR	1					
11	2	114210-12560	NUT, WING	1					
12	2	114210-12590	ELEMENT ASSY	1					
15	2	114210-12600	LOCKING KNOB	1					
17	1	26106-060402	BOLT, M6X 40 PLATED	1					
18	1	26226-060352	STUD, M6X 35	3					

Fig.7. EXHAUST MUFFLER

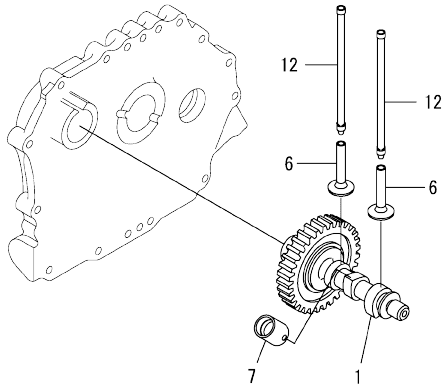


(A)=L100N6FF1Z1JAFT
(B)=
(C)=

(D)=
(E)=
(F)=

No.	Lev.	Parts No.	Description	Q'ty						I	R
				(A)	(B)	(C)	(D)	(E)	(F)		
1	1	114310-13200	GASKET, MUFFLER	1							
2	1	11431C-13550	MUFFLER ASSY	1							
3	2	11431C-13560	MUFFLER	1							
4	2	11431C-13700	COVER	1							
5	2	11431C-13710	COVER	2							
6	2	11431C-13720	BOLT, M6	10							
7	1	26106-080202	BOLT, M8X 20 PLATED	2							
9	1	26216-080182	STUD, M8X 18	2							
10	1	26306-080002	NUT, M8	2							
12	1	114699-13800	PIPE	1							
12-1	1	114320-13800	DEFLECTOR ASSY, EXH	1							N
(A=2013.10.)											

Fig.8. CAMSHAFT

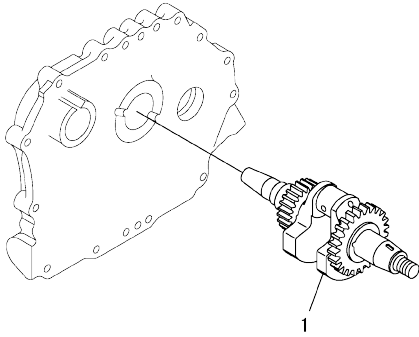


(A)=L100N6FF1Z1JAFT
(B)=
(C)=

(D)=
(E)=
(F)=

No.	Lev.	Parts No.	Description	Q'ty					
				(A)	(B)	(C)	(D)	(E)	(F)
1	1	71432C-14010	CAMSHAFT ASSY	1					
6	1	114310-14200	TAPPET	2					
7	1	114210-14300	TAPPET ASSY, ROLLER	1					
12	1	114310-14400	ROD ASSY, PUSH	2					

0CW10-M79600 L100N6FF1Z1JAFT
 Fig.9. CRANKSHAFT



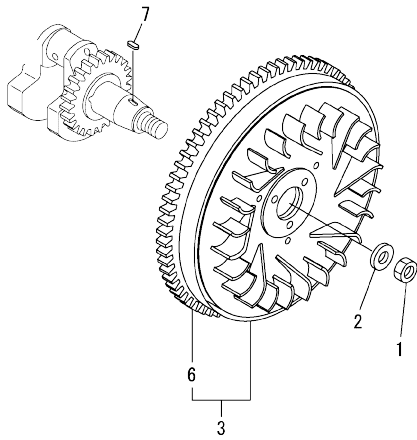
0CW10-M79600 Fig.9

(A)=L100N6FF1Z1JAFT
 (B)=
 (C)=

(D)=
 (E)=
 (F)=

No.	Lev.	Parts No.	Description	Q'ty						I	R
				(A)	(B)	(C)	(D)	(E)	(F)		
1	1	114310-21760	CRANKSHAFT ASSY,E-DI	1							

Fig.10. FLYWHEEL

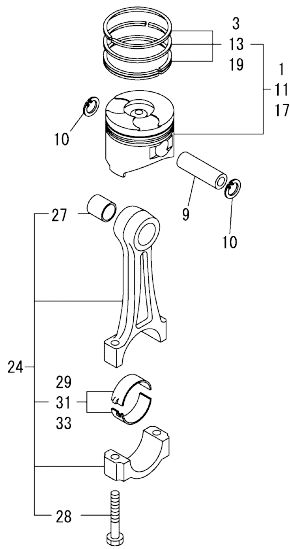


(A)=L100N6FF1Z1JAFT
(B)=
(C)=

(D)=
(E)=
(F)=

No.	Lev.	Parts No.	Description	Q'ty					
				(A)	(B)	(C)	(D)	(E)	(F)
1	1	114699-21220	NUT	1					
2	1	114699-21550	WASHER	1					
3	1	114699-21600	FLYWHEEL ASSY, DE	1					
6	2	114699-21630	RING, GEAR	1					
7	1	22512-050140	KEY, 5X 14	1					

Fig.11. PISTON & CONNECTING ROD



(A)=L100N6FF1Z1JAFT
(B)=
(C)=

(D)=
(E)=
(F)=

No.	Lev.	Parts No.	Description	Q'ty						
				(A)	(B)	(C)	(D)	(E)	(F)	
1	1	714320-22720	PISTON W/RINGS (D)	1						
3	2	714310-22500	RING SET, PISTON	1						
9	1	114699-22300	PIN, PISTON D=23	1						
10	1	114310-22500	SEEGER RING, J23	2						1
11	1	714320-22620	PISTON W/RING .25OS	1						1
13	2	714310-22540	RING SET O.S=0.25	1						1
17	1	714320-22580	PISTON W/RING .50OS	1						2
19	2	714310-22550	RING SET O.S=0.50	1						2
24	1	71431C-23010	ROD ASSY, CONNECTING	1						
27	3	124060-23100	BEARING, PISTON PIN	1						
28	3	114310-23200	BOLT, CONNECTING ROD	2						
29	2	714650-23600	BEARING, CRANK PIN	1						
31	1	714650-23610	BEARING ASSY, 0.25	1						3
33	1	714650-23620	BEARING, 0.50 US	1						4

Remarks

- (1)Over sized(O.S=0.25)parts.
- (2)Over sized(O.S=0.50)parts.
- (3)Under sized(U.S=0.25)parts.
- (4)Under sized(U.S=0.50)parts.

Fig.12. BALANCER SHAFT

(A)=L100N6FF1Z1JAFT
 (B)=
 (C)=

(D)=
 (E)=
 (F)=

No.	Lev.	Parts No.	Description	Q'ty					
				(A)	(B)	(C)	(D)	(E)	(F)
1	1	714310-28510	SHAFT ASSY, BALANCER	1					
6	1	24101-063040	BEARING, BALL 6304C3	2					

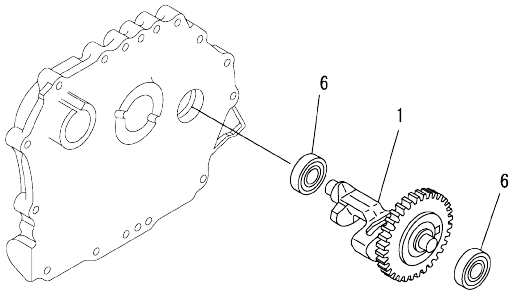
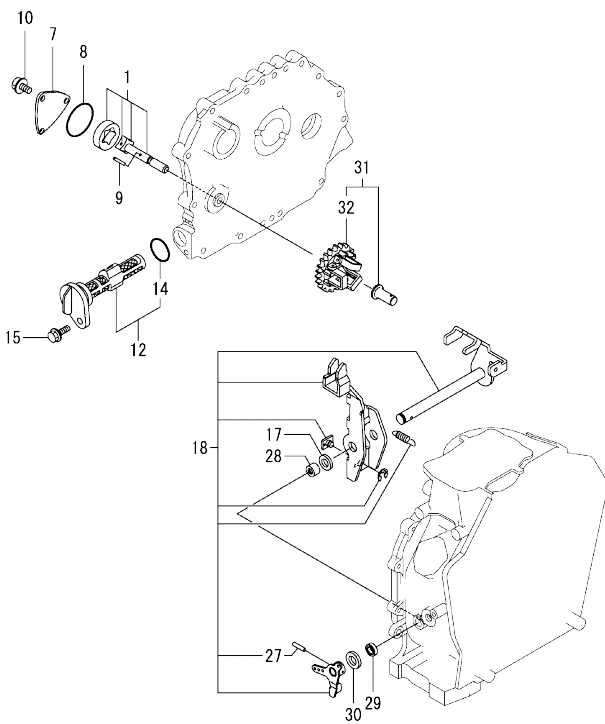


Fig.13. LUB.OIL PUMP & GOVERNOR



(A)=L100N6FF1Z1JAFT
(B)=
(C)=

(D)=
(E)=
(F)=

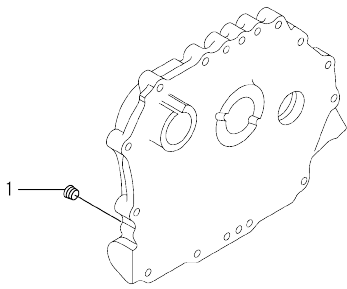
No.	Lev.	Parts No.	Description	Q'ty						I	R
				(A)	(B)	(C)	(D)	(E)	(F)		
1	1	114650-32010	PUMP ASSY, OIL	1							
7	1	114299-32070	COVER	1							
8	1	114299-32570	O-RING	1							
9	1	22312-030160	PIN, PARALLEL M3X16	1							
10	1	26106-060122	BOLT, M6X 12 PLATED	3							
12	1	114299-35110	FILTER ASSY, OIL	1							
14	2	24341-000224	O-RING, 1AS22.4	1							
15	1	26106-060162	BOLT, M6X 16 PLATED	1							
17	1	114299-61190	WASHER	1							
18	1	114311-61500	LEVER ASSY, GOVERNOR	1							1
27	2	22322-030200	PIN, TAPER 3X20	1							
28	1	114770-61520	BEARING, NEEDLE	2							
29	1	114299-61600	SEAL, OIL	1							
30	1	114770-61610	WASHER, THRUST	1							
31	1	714210-61701	GOVERNOR ASSY	1							
32	2	114210-61290	WEIGHT ASSY, GOVERNOR	1							

Remarks
(1)On a guarantee of quality component parts shall not be sold.

N:Old $\frac{100}{100}$ New, Q:Old $\frac{100}{100}$ New, R:Old $\frac{100}{100}$ New, S:Old $\frac{100}{100}$ New, W:Add, Z:Discontinued, F:Interchangeable by set, K:Q'ty Change
Copyright (C) YANMAR CO., LTD. All Rights Reserved.

0CW10-M79600 L100N6FF1Z1JAFT

Fig.14. OIL PRESSURE SWITCH CAP



0CW10-M79600 Fig.14

(A)=L100N6FF1Z1JAFT
(B)=
(C)=

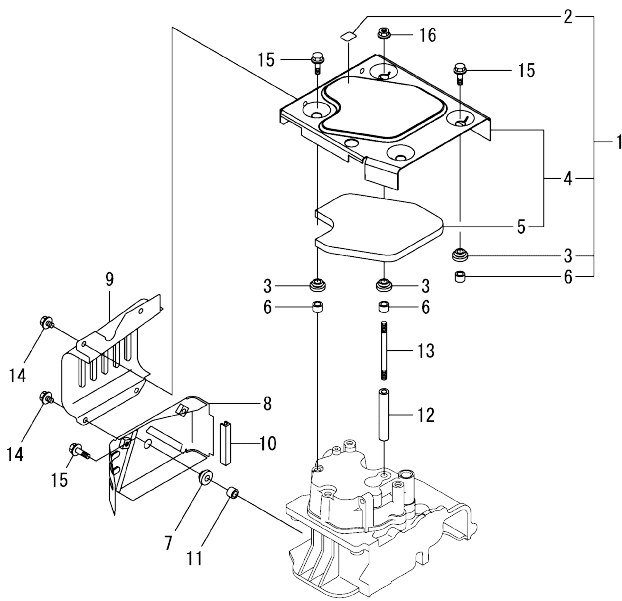
(D)=
(E)=
(F)=

No.	Lev.	Parts No.	Description	Q'ty						I	R
				(A)	(B)	(C)	(D)	(E)	(F)		
1	1	23876-010000	PLUG, R01	1							

Fig.15. COVER

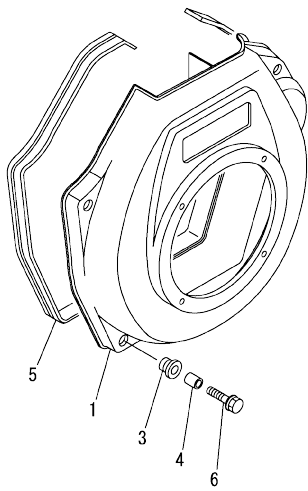
(A)=L100N6FF1Z1JAFT
(B)=
(C)=

(D)=
(E)=
(F)=



No.	Lev.	Parts No.	Description	Q'ty					
				(A)	(B)	(C)	(D)	(E)	(F)
1	1	114320-45210	COVER ASSY, TOP	1					
2	2	114220-07120	LABEL, DECOMPRESSION	1					
3	2	114299-45220	GROMMET	4					
4	2	114310-45320	COVER, TOP	1					
5	3	114310-45310	DAMPER	1					
6	2	114399-45340	COLLAR	4					
7	1	114299-45220	GROMMET	1					
8	1	114310-45260	COVER B, SIDE	1					
9	1	114310-45270	COVER A, SIDE (13)	1					
10	1	114399-45320	RUBBER, SEAL	1					
11	1	114399-45340	COLLAR	1					
12	1	114310-45350	SPACER, TOP COVER	1					
13	1	114310-45360	STUD BOLT, TOP COVER	1					
14	1	26106-060082	BOLT, M6X 8 PLATED	4					
15	1	26106-060202	BOLT, M6X 20 PLATED	4					
16	1	26366-060002	NUT, M6	1					

Fig.16. COOLING FAN CASE

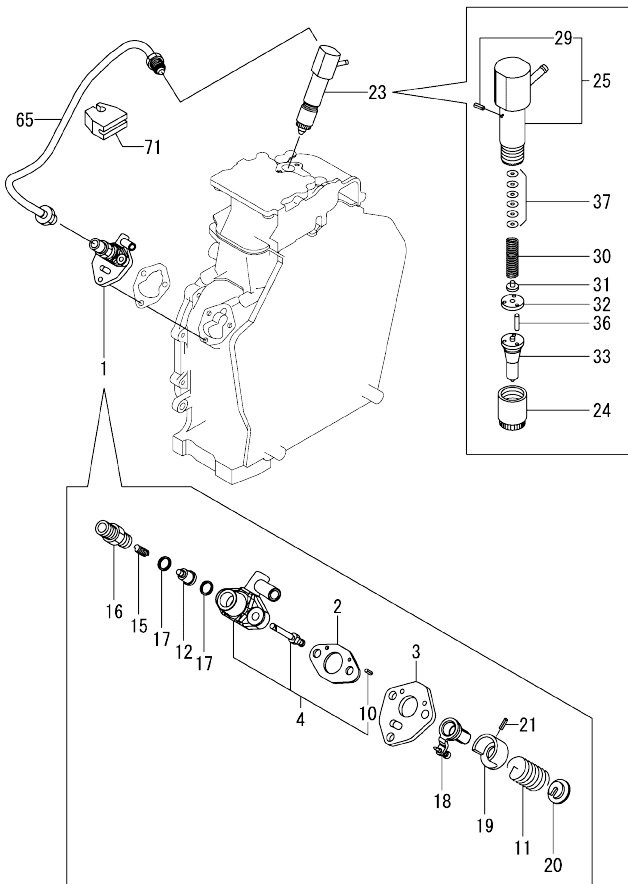


(A)=L100N6FF1Z1JAFT
(B)=
(C)=

(D)=
(E)=
(F)=

No.	Lev.	Parts No.	Description	Qty						I	R	
				(A)	(B)	(C)	(D)	(E)	(F)			
1	1	114310-45150-1	CASE, COOLING FAN	1								
3	1	114299-45301	RUBBER, CUSHION	4								
4	1	114299-45310	COLLAR	4								
5	1	114699-45331	SEAL, FAN CASE	1								
6	1	114299-45350	BOLT, FAN CASE	4								

Fig.17. F.I.PUMP & F.I.VALVE

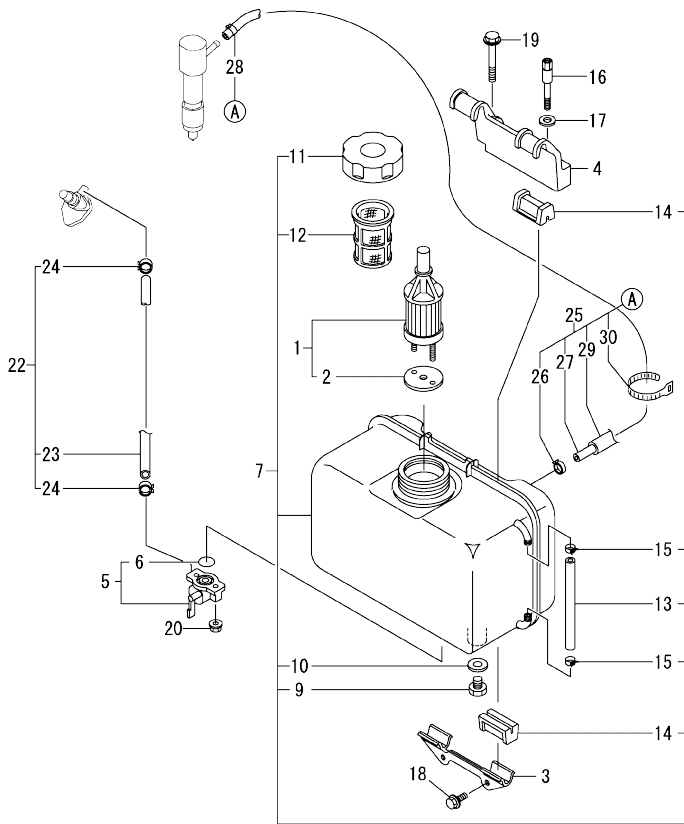


(A)=L100N6FF1Z1JAFT
(B)=
(C)=

(D)=
(E)=
(F)=

No.	Lev.	Parts No.	Description	Q'ty						I	R
				(A)	(B)	(C)	(D)	(E)	(F)		
1	1	714339-51200	F.I.PUMP ASSY	1							
2	2	105546-51020	GASKET	1							
3	2	114250-51080	PLATE	1							
4	2	114339-51100	BODY ASSY, PUMP	1							
10	4	22351-020006	PIN, SPRING 2.0X 6	2							
11	2	114250-51160	SPRING, PLUNGER	1							
12	2	114650-51300	VALVE ASSY, DELIVERY	1							
15	2	105546-51330	SPRING, DELIVERY	1							
16	2	114250-51340	HOLDER, DELIVERY	1							
17	2	124550-51350	GASKET, DELIVERY	2							
18	2	114250-51500	LEVER, CONTROL	1							
19	2	114250-51640	SEAT, SPRING A	1							
20	2	114250-51650	SEAT, SPRING B	1							
21	2	22351-030008	PIN, SPRING 3.0X 8	1							
23	1	714339-53200	VALVE ASSY, INJECTION	1							
24	2	114250-53080	NUT, NOZZLE D16.95	1							
25	2	114339-53100	HOLDER ASSY, NOZZLE	1							
29	3	22351-025005	PIN, SPRING 2.5X 6	1							
30	2	114250-53120	SPRING, NOZZLE	1							
31	2	114250-53130	SEAT, SPRING	1							
32	2	114250-53140	PLATE	1							
33	2	114339-53200	VALVE ASSY, INJECTION	1							
36	2	114250-53210	PIN	2							
37	2	119803-53400	SHIM SET	1							
65	1	114310-59800	PIPE ASSY, INJECTION	1							
71	1	114699-59850	SUPPORT, PIPE	1							

Fig.18. FUEL TANK & FUEL PIPE



(A)=L100N6FF1Z1JAFT
(B)=
(C)=

(D)=
(E)=
(F)=

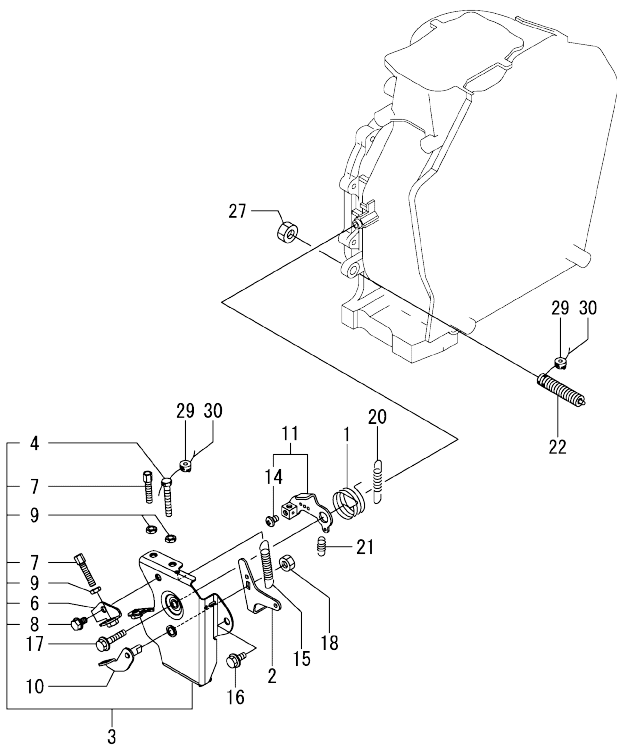
No.	Lev.	Parts No.	Description	Qty						I	R	
				(A)	(B)	(C)	(D)	(E)	(F)			
1	1	114250-55121	FILTER ASSY, FUEL	1								
2	2	114250-55130	GASKET	1								
3	1	114210-55210	STAY, FUEL TANK A	1								
4	1	114310-55230	STAY, FUEL TANK B	1								
5	1	114250-55301	COCK ASSY, FUEL	1								
6	2	24341-000150	O-RING, 1AS15.0	1								
7	1	11431C-55730	TANK ASSY, FUEL	1								
9	2	114299-55080	PLUG, DRAIN	1								
10	2	23414-080000	GASKET, 8X1.0	1								
11	2	114299-55040	CAP ASSY, FUEL TANK	1								
12	2	114299-55100	ELEMENT, FUEL FILTER	1								
13	2	114339-55150	GAUGE, LEVEL	1								
14	2	114250-55201	DAMPER, FUEL TANK	4								
15	2	23080-007000	CLAMP, 7	2								
16	1	114210-55810	BOLT, LIFTING	1								
17	1	22117-080000	WASHER, 8	1								
18	1	26106-060162	BOLT, M6X 16 PLATED	2								
19	1	26106-080452	BOLT, M8X 45 PLATED	1								
20	1	26366-060002	NUT, M6	2								
22	1	114780-59010	PIPE ASSY, FUEL L50	1								
23	2	114780-59060	PIPE, FUEL L=50	1								
24	2	23080-014000	CLAMP, 14	2								
25	1	114339-59300	PIPE ASSY, RETURN	1								
25-1	1	114339-59301	PIPE ASSY, FO RETURN	1								N
(A=*2019.03)												
26	2	124722-59050	CLAMP, HOSE 9	1								
27	2	114310-59060	PIPE, FUEL RETURN	1								
27-1	2	114310-59061	PIPE, FO RETURN	1								N
(A=*2019.03)												
28	2	124066-59100	CLAMP, HOSE 8	1								
29	2	114310-59310	HOSE, PROTECTION	1								
30	2	121750-59890	BAND, NYLON	1								

Fig.19. SPEED CONTROL DEVICE

(A)=L100N6FF1Z1JAFT
(B)=
(C)=

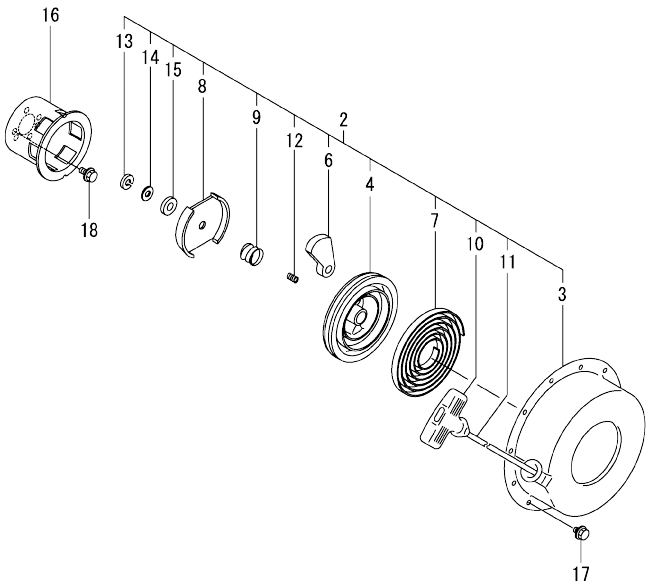
(D)=
(E)=
(F)=

No.	Lev.	Parts No.	Description	Q'ty						I	R
				(A)	(B)	(C)	(D)	(E)	(F)		
1	1	114299-66250	SPRING, RETURN	1							
2	1	114299-66920	LEVER, STOP	1							
3	1	714299-66921	SPEED CONTROL TP 02	1							
4	2	114299-66440	BOLT, ADJUSTING	1							
6	2	114299-66950	STAY, STOP CABLE	1							
7	2	114299-67080	BOLT, ADJUSTING	2							
8	2	26106-060102	BOLT, M6X 10 PLATED	1							
9	2	26757-060002	NUT, LOCK M6	3							
10	1	114299-66932	LEVER, STOP-IN	1							
11	1	114299-66940	LEVER ASSY,REGULATOR	1							
14	2	26117-050089	BOLT, M5X 8 PLATED	1							
15	1	114310-66950	SPRING, STOP TILLER	1							
16	1	26106-060142	BOLT, M6X 14 PLATED	1							
17	1	26106-060302	BOLT, M6X 30 PLATED	1							
18	1	26757-080002	NUT, LOCK M8	1							
20	1	114320-66010	SPRING, REGULATOR	1							
21	1	114299-66201	SPRING, RETURN	1							
22	1	114320-66600	LIMITER ASSY, FUEL	1							
27	1	26776-100002	NUT, LOCK M10	1							
29	1	114780-61090	TIN	2							
30	1	22451-060000	WIRE, 0.6	2							



N:Old $\frac{New}{Old}$ New, Q:Old $\frac{New}{Old}$ New, R:Old $\frac{New}{Old}$ New, S:Old $\frac{New}{Old}$ New, W:Add, Z:Discontinued, F:Interchangeable by set, K:Q'ty Change
Copyright (C) YANMAR CO., LTD. All Rights Reserved.

Fig.20. RECOIL STARTER



(A)=L100N6FF1Z1JAFT
(B)=
(C)=

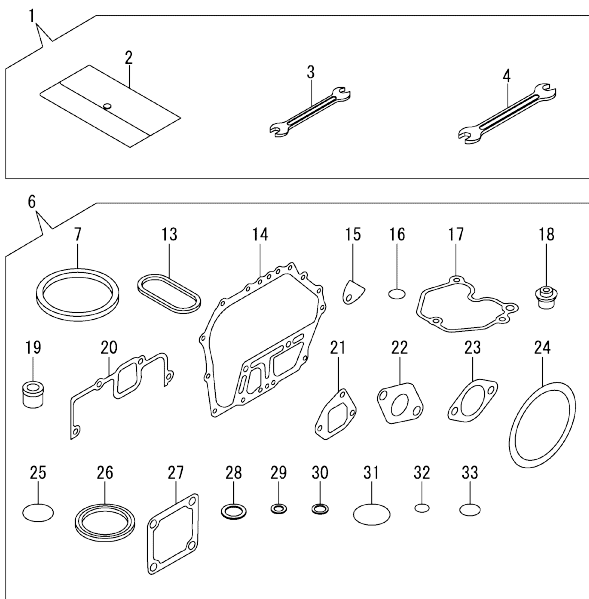
(D)=
(E)=
(F)=

No.	Lev.	Parts No.	Description	Q'ty					
				(A)	(B)	(C)	(D)	(E)	(F)
2	2	114699-76251	RECOIL ASSY	1					
3	3	114699-76510	CASE, STARTER	1					
4	3	114699-76521	REEL, RECOIL	1					
6	3	114699-76531	RATCHET	2					
7	3	114399-76540	SPRING, SPIRAL	1					
8	3	114699-76551	GUIDE, RATCHET	1					
9	3	114699-76560	SPRING, FRICTION	1					
10	3	114399-76620	KNOB, STARTER	1					
11	3	114699-76630	ROPE, STARTER	1					
12	3	114699-76650	SPRING, RETURN	1					
13	3	114699-76660	CIRCLIP	1					
14	3	114699-76670	WASHER	1					
15	3	114699-76680	WASHER	1					
16	2	114699-76592	PULLEY, STARTER	1					
17	1	26106-060082	BOLT, M6X 8 PLATED	4					
18	1	26106-060122	BOLT, M6X 12 PLATED	3					

Fig.21. TOOL & GASKET SET

(A)=L100N6FF1Z1JAFT
(B)=
(C)=

(D)=
(E)=
(F)=



No.	Lev.	Parts No.	Description	Q'ty						I	R
				(A)	(B)	(C)	(D)	(E)	(F)		
1	1	114299-92590	BOX, TOOL	1							
2	2	114299-92600	BAG, TOOL	1							
3	2	114299-92710	WRENCH	1							
4	2	114299-92720	WRENCH	1							
6	1	114320-92600	GASKET SET	1							1
7	2	114695-01331	GASKET, HEAD	1							
13	2	114699-01380	O-RING	1							
14	2	114699-01410	GASKET, CRANK CASE	1							
15	2	114250-01841	GASKET	1							
16	2	114299-01950	O-RING, 18	2							
17	2	114310-11310	GASKET, BONNET	1							
18	2	114650-11341	SEAL, VALVE STEM	2							
19	2	114771-11461	GASKET, NOZZLE	1							
20	2	114310-12210	GASKET, AIR CLEANER	1							
21	2	114699-12210	GASKET, AIR CLEANER	2							
22	2	114310-13200	GASKET, MUFFLER	1							
23	2	183671-13211	GASKET, PIPE	1							
24	2	114399-21980	GASKET	1							
25	2	114299-32570	O-RING	1							
26	2	160393-55050	GASKET	4							
27	2	129100-77510	GASKET	3							
28	2	22190-160002	WASHER, SEAL 16	2							
29	2	23414-080000	GASKET, 8X1.0	1							
30	2	23414-120000	GASKET, 12X1.0	1							
31	2	24311-000400	O-RING, 1AP40.0	1							
32	2	24341-000150	O-RING, 1AS15.0	2							
33	2	24341-000224	O-RING, 1AS22.4	1							

Remarks

(1)Optional parts.

Parts No. Index

Parts No.	Fig. No.	Ref. No.
104211-11370	5	27
105546-51020	17	2
105546-51330	17	15
114210-03590	5	39
114210-11901	5	31
114210-12560	6	11
114210-12590	6	12
114210-12600	6	15
114210-14300	8	7
114210-55210	18	3
114210-55810	18	16
114210-61290	13	32
114220-07100	4	2
114220-07110	4	4
114220-07120	15	2
114220-07130	4	11
114220-12500	6	8
114240-11450	5	28
114240-11550	5	29
114250-01841	1	20
	21	15
114250-11240	5	18
	22	
114250-51080	17	3
114250-51160	17	11
114250-51340	17	16
114250-51500	17	18
114250-51640	17	19
114250-51650	17	20
114250-53080	17	24
114250-53120	17	30
114250-53130	17	31
114250-53140	17	32
114250-53210	17	36
114250-55121	18	1
114250-55130	18	2
114250-55201	18	14
114250-55301	18	5
114299-01600	1	7
114299-01690	3	1
114299-01800	1	8
114299-01830	1	19
114299-01950	3	4
	21	16
114299-02030	1	38
114299-03640	5	42
114299-07101	4	3
114299-07111	4	5
114299-07160	4	6
114299-12300	6	2

Parts No.	Fig. No.	Ref. No.
114299-32070	13	7
114299-32570	13	8
	21	25
114299-35110	13	12
114299-35150	1	33
114299-45220	15	3
	7	
114299-45301	16	3
114299-45310	16	4
114299-45350	16	6
114299-55040	18	11
114299-55080	18	9
114299-55100	18	12
114299-61190	13	17
114299-61600	13	29
114299-66201	19	21
114299-66250	19	1
114299-66440	19	4
114299-66920	19	2
114299-66932	19	10
114299-66940	19	11
114299-66950	19	6
114299-67080	19	7
114299-92590	21	1
114299-92600	21	2
114299-92710	21	3
114299-92720	21	4
114310-01020	1	1
114310-01200	5	1
114310-01210	5	2
114310-01450	1	28
114310-11120	5	10
114310-11180	5	11
114310-11290	5	25
114310-11310	5	36
	21	17
114310-11930	5	12
114310-11950	5	37
114310-12010	6	4
114310-12210	6	1
	21	20
114310-13200	7	1
	21	22
114310-14200	8	6
114310-14400	8	12
114310-21760	9	1
114310-22500	11	10
114310-23200	11	28
114310-45150-1	16	1
114310-45260	15	8

Parts No.	Fig. No.	Ref. No.
114310-45270	15	9
114310-45310	15	5
114310-45320	15	4
114310-45350	15	12
114310-45360	15	13
114310-55230	18	4
114310-59060	18	27
114310-59061	18	27 -1
114310-59310	18	29
114310-59800	17	65
114310-66950	19	15
114311-61500	13	18
11431C-11100	5	8
11431C-11110	5	9
11431C-11250	5	14
11431C-11260	5	15
11431C-11650	5	16
11431C-11660	5	20
11431C-13550	7	2
11431C-13560	7	3
11431C-13700	7	4
11431C-13710	7	5
11431C-13720	7	6
11431C-55730	18	7
114320-12550	6	3
114320-13800	7	12 -1
114320-45210	15	1
114320-66010	19	20
114320-66600	19	22
114320-92600	21	6
11432C-11020	5	3
114339-51100	17	4
114339-53100	17	25
114339-53200	17	33
114339-55150	18	13
114339-59300	18	25
114339-59301	18	25 -1
114399-01700	3	8
114399-21960	2	1
114399-21980	2	2
	21	24
114399-45320	15	10
114399-45340	15	6
	11	
114399-76540	20	7
114399-76620	20	10
114650-02100	1	31
114650-02150	1	39
114650-02200	1	35
114650-02210	1	36

Parts No.	Fig. No.	Ref. No.
114650-11341	5	26
	21	18
114650-32010	13	1
114650-51300	17	12
114695-01331	21	7
114695-01341	1	5
114699-01380	1	6
	21	13
114699-01410	1	27
	21	14
114699-01760	3	2
114699-11600	5	30
114699-12210	21	21
114699-13800	7	12
114699-21220	10	1
114699-21550	10	2
114699-21600	10	3
114699-21630	10	6
114699-22300	11	9
114699-45331	16	5
114699-59850	17	71
114699-76251	20	2
114699-76510	20	3
114699-76521	20	4
114699-76531	20	6
114699-76551	20	8
114699-76560	20	9
114699-76592	20	16
114699-76630	20	11
114699-76650	20	12
114699-76660	20	13
114699-76670	20	14
114699-76680	20	15
114770-61520	13	28
114770-61610	13	30
114771-11461	21	19
114780-59010	18	22
114780-59060	18	23
114780-61090	19	29
114940-01870	3	5 -1
119803-53400	17	37
121750-59890	18	30
124060-23100	11	27
124066-59100	18	28
124550-51350	17	17
124722-59050	18	26
129100-77510	21	27
160110-01870	3	5
160393-55050	21	26
183671-13211	21	23

Parts No. Index

Parts No.	Fig. No.	Ref. No.
22117-080000	18	17
22190-160002	3	6
	21	28
22242-000150	5	24
22312-030160	5	44
	13	9
22312-040080	1	21
22322-030200	13	27
22351-020006	17	10
22351-025005	17	29
22351-030008	17	21
22351-040008	5	32
22451-060000	19	30
22512-050140	10	7
23080-007000	18	15
23080-014000	18	24
23414-080000	18	10
	21	29
23414-120000	21	30
23875-020000	1	22
23876-010000	14	1
24101-063040	12	6
24162-152220	1	40
24311-000400	21	31
24341-000150	18	6
	21	32
24341-000224	13	14
	21	33
24423-355008	1	41
		42
26106-060082	15	14
	20	17
26106-060102	19	8
26106-060122	13	10
	20	18
26106-060142	19	16
26106-060162	13	15
	18	18
26106-060202	15	15
26106-060302	19	17
26106-060402	6	17
26106-060652	5	48
26106-080122	1	43
26106-080202	7	7
26106-080352	1	34
26106-080452	18	19
26106-100122	3	9
26117-050089	19	14
26216-080182	7	9
26226-060182	1	23

Parts No.	Fig. No.	Ref. No.
26226-060222	1	24
26226-060352	6	18
26226-060552	5	33
26306-080002	7	10
26366-060002	1	25
	5	34
	15	16
	18	20
26453-080252	2	3
26757-060002	19	9
26757-080002	19	18
26776-100002	19	27
26856-060002	5	19
		23
714210-61701	13	31
714299-66921	19	3
714310-22500	11	3
714310-22540	11	13
714310-22550	11	19
714310-28510	12	1
71431C-23010	11	24
714320-22580	11	17
714320-22620	11	11
714320-22720	11	1
71432C-14010	8	1
714339-51200	17	1
714339-53200	17	23
714650-23600	11	29
714650-23610	11	31
714650-23620	11	33

Parts No.	Fig. No.	Ref. No.
-----------	----------	----------

Parts No.	Fig. No.	Ref. No.
-----------	----------	----------