

0CC50-M03020EN

P R E F A C E

This parts catalog is the 1st edition of L100N6CA1T1AAKA for KAERCHER.

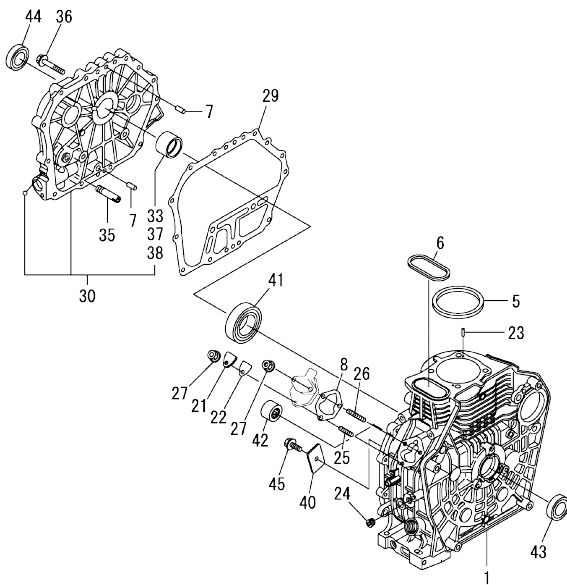
Published : February, 2020

Contents

0CC50-M03020

Fig. No.	Fig. Name	Fig. No.	Fig. Name
ENGINE			
1.	CYLINDER BLOCK		
2.	DRAIN PLUG		
3.	LABEL		
4.	CYLINDER HEAD & BONNET		
5.	AIR CLEANER		
6.	EXHAUST MUFFLER		
7.	CAMSHAFT		
8.	CRANKSHAFT		
9.	FLYWHEEL		
10.	PISTON & CONNECTING ROD		
11.	BALANCER SHAFT		
12.	LUB. OIL PUMP & GOVERNOR		
13.	SWITCH CAP(OIL PRESSURE)		
14.	COVER		
15.	COOLING FAN CASE		
16.	FUEL INJECTION PUMP & FUEL INJECTION VALVE		
17.	FUEL TANK & FUEL PIPE		
18.	CONTROL DEVICE		
19.	RECOIL STARTER		
20.	STARTER MOTOR		
21.	ELECTRIC PARTS		
22.	KEY SWITCH		
23.	DYNAMO		
24.	GASKET SET & TOOL		

Fig.1. CYLINDER BLOCK



(A)=L100N6CA1T1AAKA
(B)=
(C)=

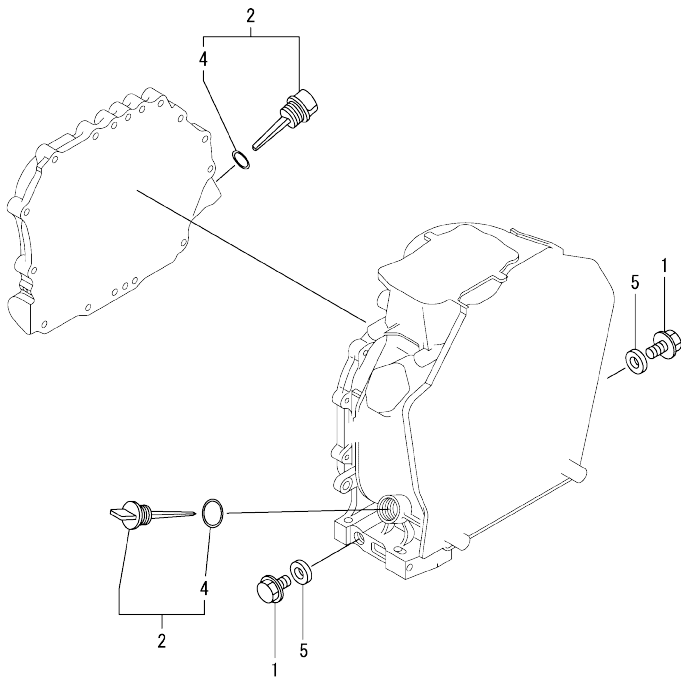
(D)=
(E)=
(F)=

No.	Lev.	Parts No.	Description	Q'ty						I	R
				(A)	(B)	(C)	(D)	(E)	(F)		
1	1	114310-01020	BLOCK ASSY, CYLINDER	1							
5	1	114695-01341	GASKET, HEAD T=0.5	1							
6	1	114699-01380	O-RING, TAPPET	1							
7	1	114299-01600	PIN, PARALLEL 8X12	2							
8	1	114299-01800	SHIM SET, PUMP	1							
21	1	114299-01830	COVER, PUMP	1							
22	1	114250-01841	GASKET, COVER	1							
23	1	22312-040080	PIN, PARALLEL M4X 8	2							
24	1	23875-020000	PLUG, R02	1							
25	1	26226-060182	STUD, M6X 18	1							
26	1	26226-060222	STUD, M6X 22	2							
27	1	26366-060002	NUT, M6	3							
29	1	114699-01410	GASKET, CASE COVER	1							
30	1	114311-01450	COVER, CRANKCASE D	1							
33	2	114940-02110	BEARING, MAIN	1							1
35	1	114299-35150	PIPE, OIL INLET	1							
36	1	26106-080352	BOLT, M8X 35 PLATED	16							
37	1	114940-02200	BEARING, MAIN 0.25OS	1							2
38	1	114940-02210	BEARING, MAIN 0.50OS	1							3
40	1	114299-02030	RETAINER, BEARING	1							
41	1	114650-02150	BEARING, HR6308G3C3	1							
42	1	24162-152220	BEARING, 152220	1							
43	1	24423-355008	SEAL, OIL TC355008	1							
44	1	24423-355008	SEAL, OIL TC355008	1							
45	1	26106-080122	BOLT, M8X 12 PLATED	1							

Remarks

- (1) Spare parts.
- (2) Over-sized (O.S.=0.25) parts.
- (3) Over-sized (O.S.=0.50) parts.

OCC50-M03020 ENGINE
 Fig.2. DRAIN PLUG



OCC50-M03020 Fig.2

(A)=L100N6CA1T1AAKA
 (B)=
 (C)=

(D)=
 (E)=
 (F)=

No.	Lev.	Parts No.	Description	Q'ty					
				(A)	(B)	(C)	(D)	(E)	(F)
1	1	114299-01690	PLUG, DRAIN 16	2					
2	1	114699-01760	CAP ASSY, OIL SUPPLY	2					
4	2	114299-01950	O-RING, 18	2					
5	1	22190-160002	WASHER, SEAL 16	2					

Fig.3. LABEL

(A)=L100N6CA1T1AAKA
(B)=
(C)=

(D)=
(E)=
(F)=

No.	Lev.	Parts No.	Description	Q'ty					
				(A)	(B)	(C)	(D)	(E)	(F)
2	1	114220-07100	LABEL, CAUTION	1					
3	1	114299-07101	LABEL, YANMAR MARK A	1					
4	1	114220-07110	LABEL, HOW TO START	1					
5	1	114299-07111	LABEL, YANMAR MARK B	1					
6	1	114299-07160	LABEL, DIESEL	1					
13	1	114220-07130	LABEL, HOT SURFACE	1					
15	1	114220-07160	LABEL, THAI	1					

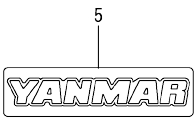
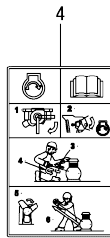
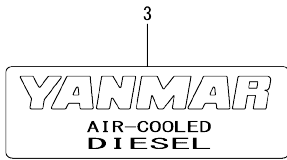
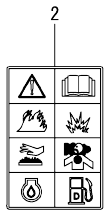
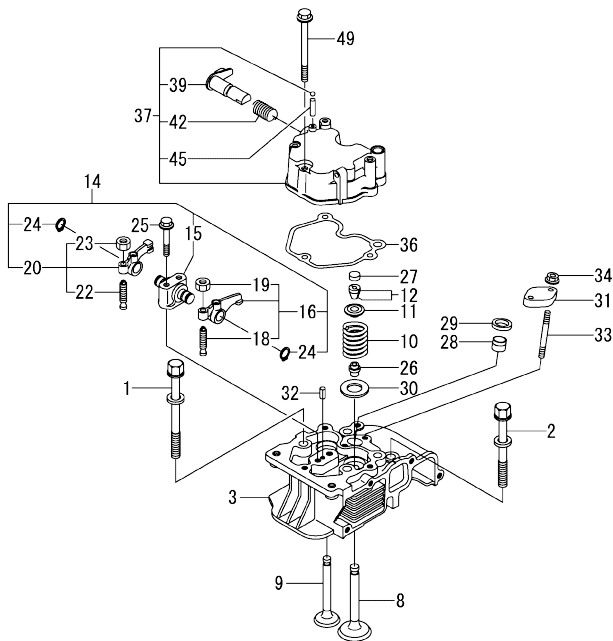


Fig.4. CYLINDER HEAD & BONNET



(A)=L100N6CA1T1AAKA
(B)=
(C)=

(D)=
(E)=
(F)=

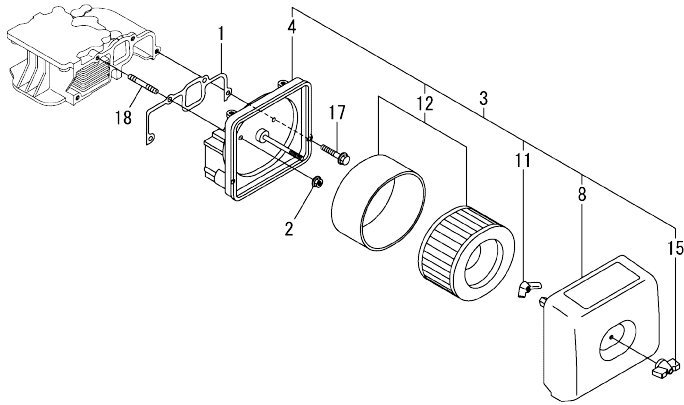
No.	Lev.	Parts No.	Description	Q'ty						I	R	
				(A)	(B)	(C)	(D)	(E)	(F)			
1	1	114310-01200	BOLT, HEAD A									
2	1	114310-01210	BOLT, HEAD B									
3	1	11432C-11020	HEAD ASSY, CYLINDER									
8	1	11431C-11100	VALVE, INTAKE									
9	1	11431C-11110	VALVE, EXHAUST									
10	1	114310-11120	SPRING, VALVE									
11	1	114310-11180	RETAINER, SPRING									
12	1	114310-11930	COTTER ASSY									
14	1	11431C-11250	SUPPORT ASSY, ARM									
15	2	11431C-11260	SUPPORT, ROCKER ARM									
16	2	11431C-11650	ARM, ROCKER									
18	3	114250-11240	SCREW, VALVE ADJUST									
19	3	26856-060002	NUT, M6									
20	2	11431C-11660	ARM, ROCKER									
22	3	114250-11240	SCREW, VALVE ADJUST									
23	3	26856-060002	NUT, M6									
24	2	22242-000150	RING, 15									
25	1	114310-11290	BOLT, SUPPORT									
26	1	114650-11341	SEAL, VALVE STEM									
27	1	104211-11370	CAP, VALVE									
28	1	114240-11450	PROTECTOR, NOZZLE									
29	1	114240-11550	SEAT, NOZZLE									
30	1	114699-11600	WASHER									
31	1	114210-11901	RETAINER, VALVE									
32	1	22351-040008	PIN, SPRING 4.0X 8									
33	1	26226-060552	STUD, M6X 55									
34	1	26366-060002	NUT, M6									
36	1	114310-11310	GASKET, BONNET									
37	1	114310-11950	BONNET ASSY, HEAD									
39	2	114210-03590	DECOMPRESSION ASSY									
42	2	114299-03640	SPRING, DECOMPRESSION									
45	2	22312-030160	PIN, PARALLEL M3X16									
49	1	26106-060652	BOLT, M6X 65 PLATED									

OCC50-M03020 ENGINE
 Fig.5. AIR CLEANER

OCC50-M03020 Fig.5

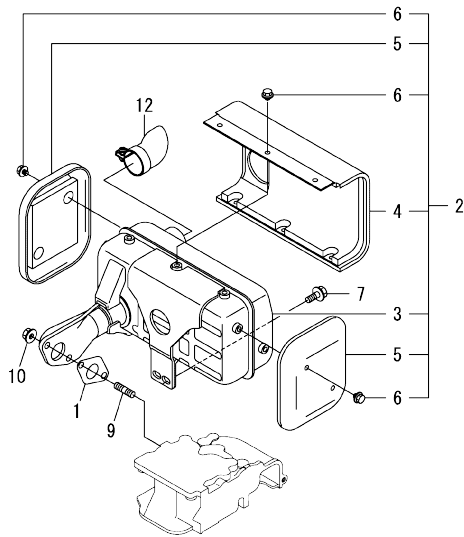
(A)=L100N6CA1T1AAKA
 (B)=
 (C)=

(D)=
 (E)=
 (F)=



No.	Lev.	Parts No.	Description	Q'ty					
				(A)	(B)	(C)	(D)	(E)	(F)
1	1	114310-12210	GASKET, AIR CLEANER	1					
2	1	114299-12300	NUT	3					
3	1	114320-12550	CLEANER ASSY, AIR	1					
4	2	114310-12010	BODY ASSY, CLEANER	1					
8	2	114220-12500	COVER ASSY, CLEANER	1					
11	2	114210-12560	NUT, WING	1					
12	2	114210-12590	ELEMENT ASSY	1					
15	2	114210-12600	KNOB	1					
17	1	26106-060402	BOLT, M6X 40 PLATED	1					
18	1	26226-060352	STUD, M6X 35	3					

Fig.6. EXHAUST MUFFLER



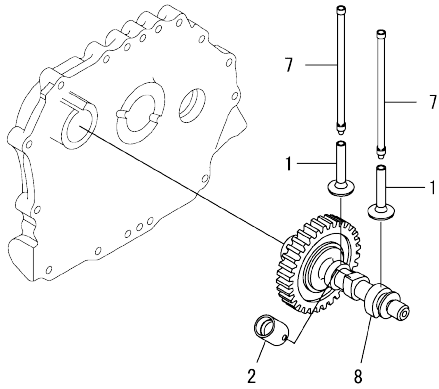
(A)=L100N6CA1T1AAKA
(B)=
(C)=

(D)=
(E)=
(F)=

No.	Lev.	Parts No.	Description	Q'ty					
				(A)	(B)	(C)	(D)	(E)	(F)
1	1	114310-13200	GASKET, MUFFLER	1					
2	1	11431C-13550	MUFFLER ASSY	1					
3	2	11431C-13560	MUFFLER	1					
4	2	11431C-13700	COVER, MUFFLER A	1					
5	2	11431C-13710	COVER	2					
6	2	11431C-13720	BOLT, M6	10					
7	1	26106-080202	BOLT, M8X 20 PLATED	2					
9	1	26216-080182	STUD, M8X 18	2					
10	1	26306-080002	NUT, M8	2					
12	1	114320-13800	DEFLECTOR ASSY, EXH	1					

OCC50-M03020 ENGINE
 Fig.7. CAMSHAFT

OCC50-M03020 Fig.7

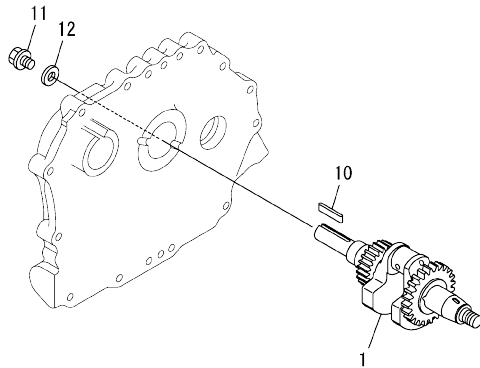


(A)=L100N6CA1T1AAKA
 (B)=
 (C)=

(D)=
 (E)=
 (F)=

No.	Lev.	Parts No.	Description	Q'ty					
				(A)	(B)	(C)	(D)	(E)	(F)
1	1	114310-14200	TAPPET	2					
2	1	114210-14300	TAPPET ASSY, ROLLER	1					
7	1	114320-14400	ROD ASSY, PUSH	2					
8	1	11432C-14580	CAMSHAFT ASSY	1					

Fig.8. CRANKSHAFT



(A)=L100N6CA1T1AAKA
(B)=
(C)=

(D)=
(E)=
(F)=

No.	Lev.	Parts No.	Description	Q'ty					
				(A)	(B)	(C)	(D)	(E)	(F)
1	1	11431C-21730	CRANKSHAFT ASSY,E-D	1					
10	1	160842-21150	KEY, FEATHER 6.3X50	1					
11	1	160842-21250	BOLT, 7/16-20UNF	1					
12	1	160842-21260	WASHER, PULLEY	1					

OCC50-M03020 ENGINE
 Fig.9. FLYWHEEL

OCC50-M03020 Fig.9

(A)=L100N6CA1T1AAKA
 (B)=
 (C)=

(D)=
 (E)=
 (F)=

No.	Lev.	Parts No.	Description	Q'ty					
				(A)	(B)	(C)	(D)	(E)	(F)
1	1	114699-21220	NUT, WHEEL	1					
2	1	114699-21550	WASHER, FLYWHEEL	1					
3	1	114699-21600	FLYWHEEL ASSY, DE	1					
6	2	114699-21630	GEAR, RING	1					
7	1	22512-050140	KEY, 5X 14	1					

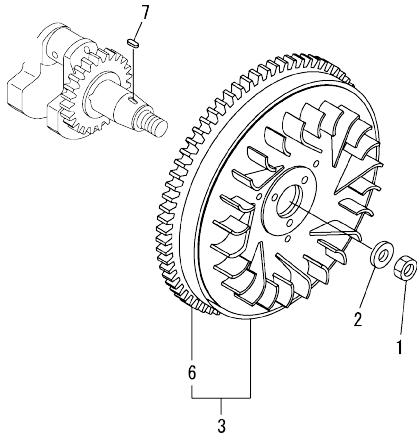
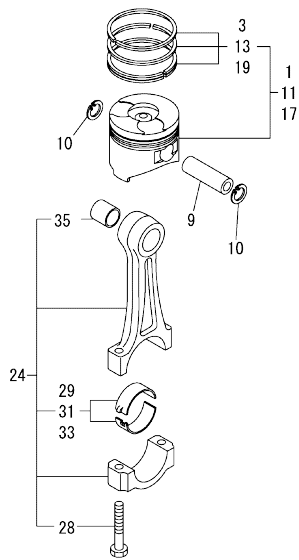


Fig.10. PISTON & CONNECTING ROD



(A)=L100N6CA1T1AAKA
(B)=
(C)=

(D)=
(E)=
(F)=

No.	Lev.	Parts No.	Description	Q'ty						I	R
				(A)	(B)	(C)	(D)	(E)	(F)		
1	1	714320-22720	PISTON ASSY, D	1							
3	2	714310-22500	RING SET, PISTON	1							
9	1	114699-22300	PIN, PISTON D=23	1							
10	1	114310-22500	RING, SEEGER J23	2							
11	1	714320-22620	PISTON ASSY, 0.25 OS	1							1
13	2	714310-22540	RING SET, PISTON .25	1							1
17	1	714320-22580	PISTON ASSY, 0.50 OS	1							2
19	2	714310-22550	RING SET, PISTON .50	1							2
24	1	11432C-23700	ROD ASSY, CONNECTING	1							2
28	3	114310-23200	BOLT, CONNECTING ROD	2							
29	2	114940-23600	METAL ASSY, CRANK PIN	1							
31	1	114940-23610	METAL ASSY, PIN .25	1							1
33	1	114940-23620	METAL ASSY, PIN .50	1							2
35	1	114940-23910	BUSH, PISTON PINN	1							3

Remarks
(1)Over-sized(O.S.=0.25) parts.
(2)Over-sized(O.S.=0.50) parts.
(3)Spare parts.

Fig.11. BALANCER SHAFT

(A)=L100N6CA1T1AAKA
(B)=
(C)=

(D)=
(E)=
(F)=

No.	Lev.	Parts No.	Description	Q'ty					
				(A)	(B)	(C)	(D)	(E)	(F)
1	1	714310-28510	SHAFT ASSY, BALANCER	1					
6	1	24101-063040	BEARING, BALL 6304C3	2					

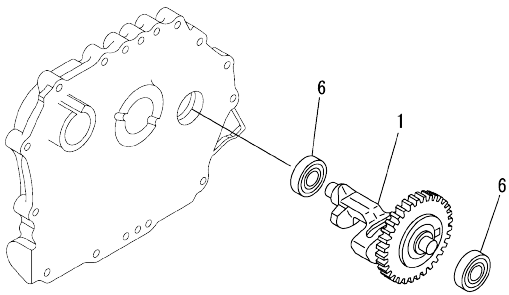
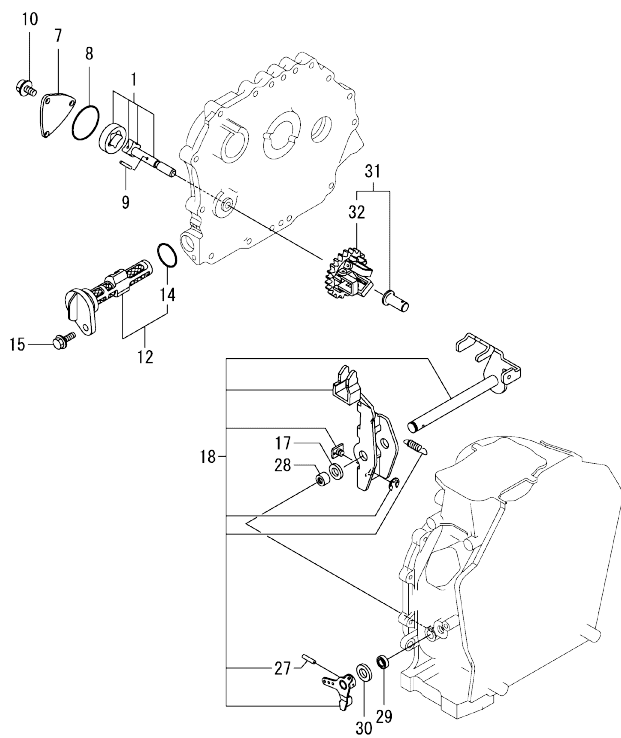


Fig.12. LUB. OIL PUMP & GOVERNOR



(A)=L100N6CA1T1AAKA
(B)=
(C)=

(D)=
(E)=
(F)=

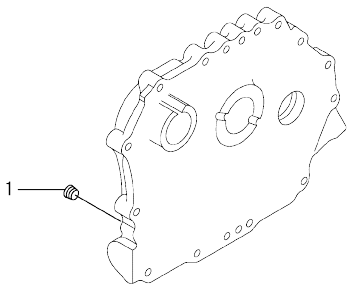
No.	Lev.	Parts No.	Description	Q'ty						I	R
				(A)	(B)	(C)	(D)	(E)	(F)		
1	1	114650-32010	PUMP ASSY, OIL	1							
7	1	114299-32070	COVER, OIL PUMP	1							
8	1	114299-32570	O-RING, PUMP COVER	1							
9	1	22312-030160	PIN, PARALLEL M3X16	1							
10	1	26106-060122	BOLT, M6X 12 PLATED	3							
12	1	114299-35110	FILTER ASSY, OIL	1							
14	2	24341-000224	O-RING, 1AS22.4	1							
15	1	26106-060162	BOLT, M6X 16 PLATED	1							
17	1	114299-61190	WASHER, GOVERNOR	1							
18	1	114311-61500	LEVER ASSY, GOVERNOR	1							1
27	2	22322-030200	PIN, TAPER 3X20	1							
28	1	114770-61520	BEARING, NEEDLE	2							
29	1	114299-61600	SEAL, OIL	1							
30	1	114770-61610	WASHER, THRUST	1							
31	1	714210-61701	GOVERNOR ASSY	1							
32	2	114210-61290	WEIGHT ASSY,GOVERNOR	1							

Remarks

(1)On a guarantee of quality, component parts shall not be sold.

OCC50-M03020 ENGINE

Fig.13. SWITCH CAP(OIL PRESSURE)



OCC50-M03020 Fig.13

(A)=L100N6CA1T1AAKA
(B)=
(C)=

(D)=
(E)=
(F)=

No.	Lev.	Parts No.	Description	Qty						I	R
				(A)	(B)	(C)	(D)	(E)	(F)		
1	1	23876-010000	PLUG, R01	1							

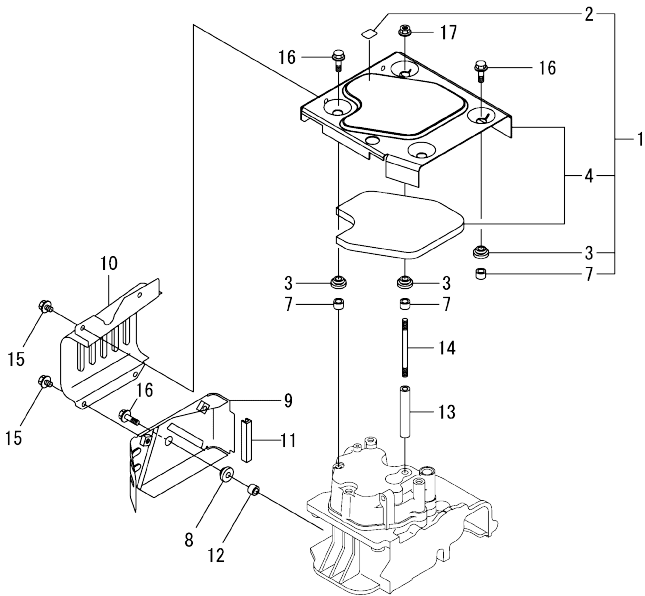
OCC50-M03020 ENGINE
 Fig.14. COVER

OCC50-M03020 Fig.14

(A)=L100N6CA1T1AAKA
 (B)=
 (C)=

(D)=
 (E)=
 (F)=

No.	Lev.	Parts No.	Description	Q'ty						I	R
				(A)	(B)	(C)	(D)	(E)	(F)		
1	1	114320-45210	COVER ASSY, TOP	1							
2	2	114220-07120	LABEL, DECOMPRESSION	1							
3	2	114299-45220	GROMMET, TANK	4							
4	2	114310-45320	COVER, TOP	1							
7	2	114399-45340	COLLAR	4							
8	1	114299-45220	GROMMET, TANK	1							
9	1	114310-45260	COVER, SIDE B	1							
10	1	114310-45270	COVER, SIDE A	1							
11	1	114399-45320	RUBBER, SEAL	1							
12	1	114399-45340	COLLAR	1							
13	1	114310-45350	SPACER, TOP COVER	1							
14	1	114310-45360	STUD, M6X77	1							
15	1	26106-060082	BOLT, M6X 8 PLATED	4							
16	1	26106-060202	BOLT, M6X 20 PLATED	4							
17	1	26366-060002	NUT, M6	1							



N:Old $\frac{New}{Old}$ New, Q:Old $\frac{New}{Old}$ New, R:Old $\frac{New}{Old}$ New, S:Old $\frac{New}{Old}$ New, W:Add, Z:Discontinued, F:Interchangeable by set, K:Q'ty Change
 Copyright (C) 2020 YANMAR CO., LTD. All Rights Reserved.

Fig.15. COOLING FAN CASE

(A)=L100N6CA1T1AAKA
(B)=
(C)=

(D)=
(E)=
(F)=

No.	Lev.	Parts No.	Description	Qty						I	R	
				(A)	(B)	(C)	(D)	(E)	(F)			
1	1	114310-45150	CASE, COOLING FAN	1								
3	1	114299-45301	RUBBER, FAN CASE	4								
4	1	114299-45310	COLLAR, FAN CASE	4								
5	1	114699-45331	SEAL, FAN CASE	1								
6	1	114299-45350	BOLT, FAN CASE	4								

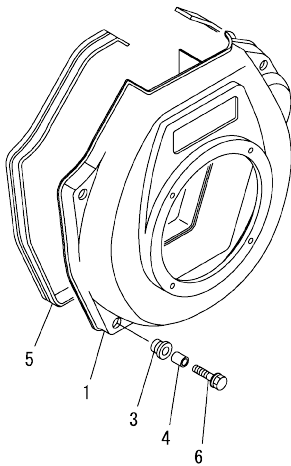
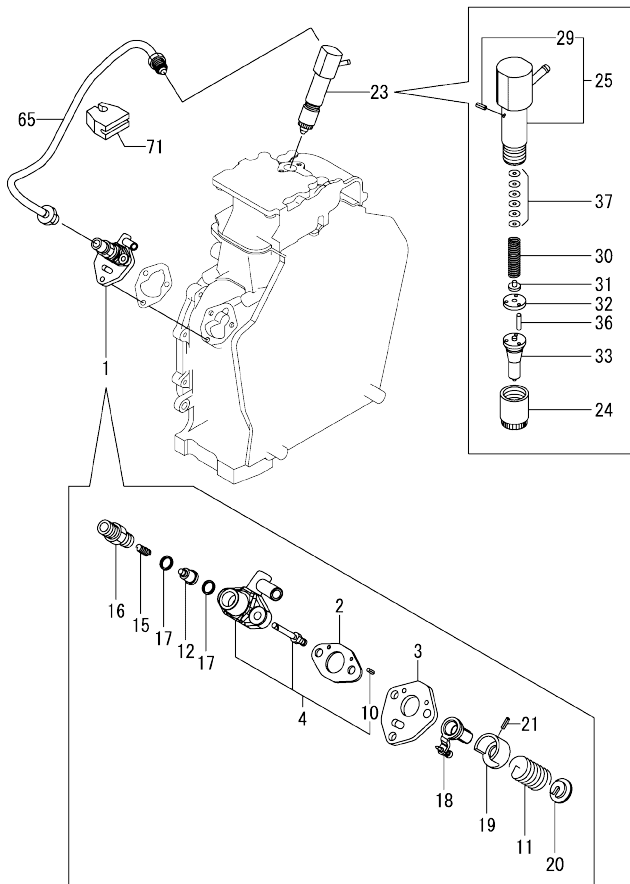


Fig.16. FUEL INJECTION PUMP & FUEL INJECTION VALVE

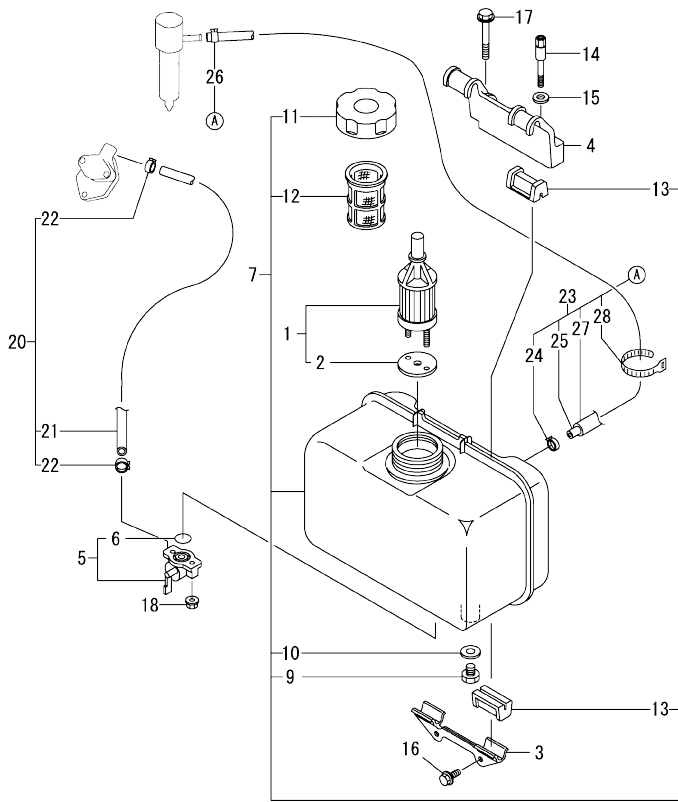


(A)=L100N6CA1T1AAKA
(B)=
(C)=

(D)=
(E)=
(F)=

No.	Lev.	Parts No.	Description	Q'ty						I	R
				(A)	(B)	(C)	(D)	(E)	(F)		
1	1	714339-51200	PUMP ASSY, INJECTION	1							
2	2	105546-51020	GASKET, PUMP BODY	1							
3	2	114250-51080	PLATE	1							
4	2	114339-51100	BODY ASSY, PUMP	1							
10	4	22351-020006	PIN, SPRING 2.0X 6	2							
11	2	114250-51160	SPRING, PLUNGER	1							
12	2	114650-51300	VALVE ASSY, DELIVERY	1							
15	2	105546-51330	SPRING, DELIVERY	1							
16	2	114250-51340	HOLDER, DELIVERY	1							
17	2	124550-51350	GASKET, DELIVERY	2							
18	2	114250-51500	LEVER, CONTROL	1							
19	2	114250-51640	SEAT, SPRING A	1							
20	2	114250-51650	SEAT, SPRING B	1							
21	2	22351-030008	PIN, SPRING 3.0X 8	1							
23	1	714339-53200	VALVE ASSY, INJECTION	1							
24	2	114250-53080	NUT, NOZZLE	1							
25	2	114339-53100	HOLDER ASSY, NOZZLE	1							
29	3	22351-025005	PIN, SPRING 2.5X 6	1							
30	2	114250-53120	SPRING, NOZZLE	1							
31	2	114250-53130	SEAT, SPRING	1							
32	2	114250-53140	SPACER, VALVE STOP	1							
33	2	114339-53200	VALVE ASSY, INJECTION	1							
36	2	114250-53210	PIN, POSITIONING	2							
37	2	119803-53400	SHIM SET	1							
65	1	114310-59800	PIPE ASSY, INJECTION	1							
71	1	114699-59850	SUPPORT, PIPE	1							

Fig.17. FUEL TANK & FUEL PIPE



(A)=L100N6CA1T1AAKA
(B)=
(C)=

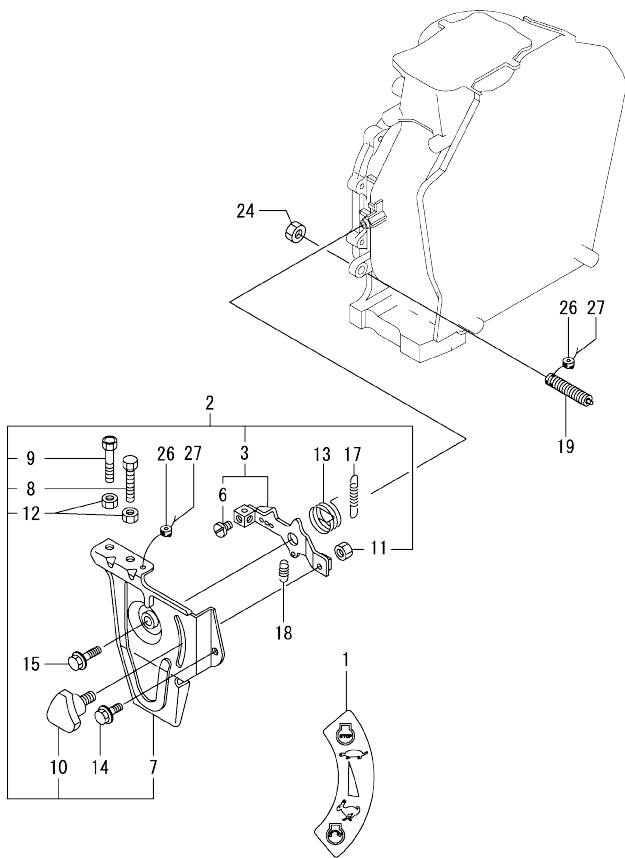
(D)=
(E)=
(F)=

No.	Lev.	Parts No.	Description	Q'ty						I	R
				(A)	(B)	(C)	(D)	(E)	(F)		
1	1	114250-55122	FILTER ASSY,FUEL OIL	1							
2	2	114250-55130	GASKET	1							
3	1	114210-55210	STAY, FUEL TANK A	1							
4	1	114310-55230	STAY, FUEL TANK B	1							
5	1	114240-55300	COCK ASSY, FUEL	1							
6	2	24311-000125	O-RING, 1AP12.5	1							
7	1	11432C-55710	TANK ASSY, FUEL OIL	1							
9	2	114299-55080	PLUG, DRAIN	1							
10	2	23414-080000	GASKET, 8X1.0	1							
11	2	114299-55040	CAP ASSY, FUEL TANK	1							
12	2	114299-55110	STRAINER, FUEL TANK	1							
13	2	114740-55200	DAMPER, FUEL TANK	4							
14	1	114210-55810	BOLT, LIFTING	1							
15	1	22117-080000	WASHER, 8	1							
16	1	26106-060162	BOLT, M6X 16 PLATED	2							
17	1	26106-080452	BOLT, M8X 45 PLATED	1							
18	1	26366-060002	NUT, M6	2							
20	1	114780-59010	PIPE ASSY, FUEL L50	1							
21	2	114780-59060	PIPE, FUEL L=50	1							
22	2	23080-014000	CLAMP, 14	2							
23	1	114339-59301	PIPE ASSY, FO RETURN	1							
24	2	124722-59050	CLAMP, HOSE 9	1							
25	2	114310-59061	PIPE, FO RETURN	1							
26	2	124066-59100	CLAMP, HOSE 8	1							
27	2	114310-59310	HOSE, PROTECTION	1							
28	2	121750-59890	BAND, NYLON	1							

Fig.18. CONTROL DEVICE

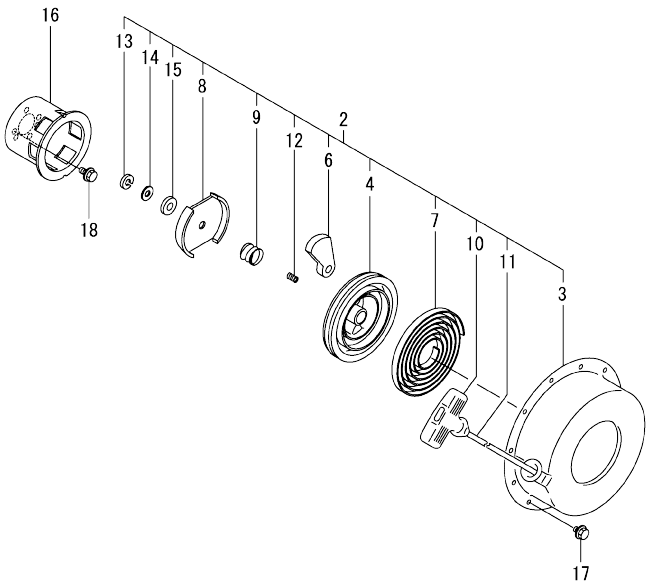
(A)=L100N6CA1T1AAKA
(B)=
(C)=

(D)=
(E)=
(F)=



No.	Lev.	Parts No.	Description	Q'ty						I	R
				(A)	(B)	(C)	(D)	(E)	(F)		
1	1	114220-07160	LABEL, THAI	1							
2	1	714210-66100	CONTROL ASSY, SPEED	1							
3	2	114210-66060	HANDLE ASSY	1							
6	3	26117-050089	BOLT, M5X 8 PLATED	1							
7	2	114210-66100	BRACKET, REGULATOR	1							
8	2	114299-66440	BOLT, ADJUSTER	1							
9	2	114299-67080	BOLT, ADJUST	1							
10	2	160725-78350	BOLT, KNOB M6X15	1							
11	2	26347-060002	NUT, M6	1							
12	2	26857-060002	NUT, M6	2							
13	1	114299-66250	SPRING, RETURN	1							
14	1	26106-060142	BOLT, M6X 14 PLATED	1							
15	1	26106-060202	BOLT, M6X 20 PLATED	1							
17	1	114320-66010	SPRING, REGULATOR	1							
18	1	114299-66201	SPRING, RETURN	1							
19	1	114320-66600	LIMITER ASSY, FUEL	1							
24	1	26776-100002	NUT, LOCK M10	1							
26	1	114780-61090	TIN	2							
27	1	22451-060000	WIRE, 0.6	2							

Fig.19. RECOIL STARTER



(A)=L100N6CA1T1AAKA
(B)=
(C)=

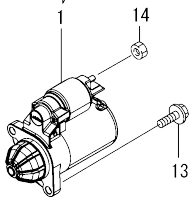
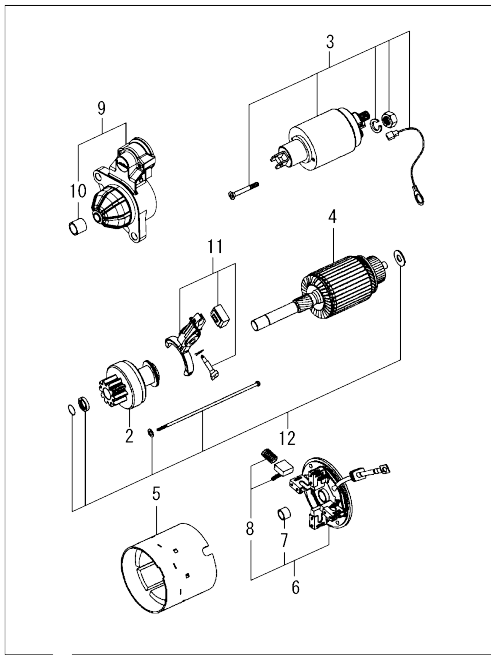
(D)=
(E)=
(F)=

No.	Lev.	Parts No.	Description	Q'ty					
				(A)	(B)	(C)	(D)	(E)	(F)
2	2	114699-76251	STARTER ASSY, RECOIL	1					
3	3	114699-76510	CASE, STARTER	1					
4	3	114699-76521	REEL, RECOIL STARTER	1					
6	3	114699-76531	RATCHET	2					
7	3	114399-76540	SPRING, SPIRAL	1					
8	3	114699-76551	GUIDE, RATCHET	1					
9	3	114699-76560	SPRING, FRICTION	1					
10	3	114399-76620	KNOB, STARTER	1					
11	3	114699-76630	ROPE, STARTER	1					
12	3	114699-76650	SPRING, COMPRESSION	1					
13	3	114699-76660	RING, RETAINING	1					
14	3	114699-76670	WASHER	1					
15	3	114699-76680	WASHER	1					
16	2	114699-76592	PULLEY, STARTER	1					
17	1	26106-060082	BOLT, M6X 8 PLATED	4					
18	1	26106-060122	BOLT, M6X 12 PLATED	3					

Fig.20. STARTER MOTOR

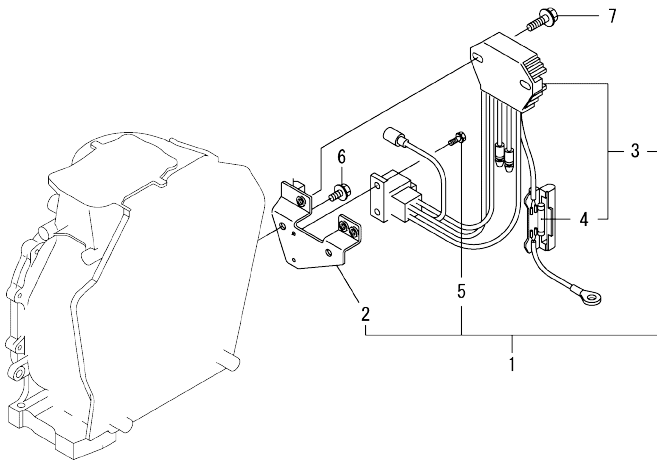
(A)=L100N6CA1T1AAKA
(B)=
(C)=

(D)=
(E)=
(F)=



No.	Lev.	Parts No.	Description	Q'ty						
				(A)	(B)	(C)	(D)	(E)	(F)	
1	1	114320-77010	MOTOR ASSY, STARTER	1						
2	2	114399-77040	CLUTCH ASSY, PINION	1						
3	2	114399-77060	SWITCH ASSY, MAGNET	1						
4	2	114320-77110	ARMATURE ASSY	1						
5	2	114320-77130	YOKE ASSY	1						
6	2	114399-77140	COVER ASSY, REAR	1						
7	3	114399-77050	BUSH, REAR	1						
8	3	114399-77160	HOLDER ASSY, BRUSH	4						
9	2	114399-77150	CASE ASSY, GEAR	1						
10	3	114399-77030	BUSH, TOP	1						
11	2	114399-77180	LEVER KIT, SHIFT	1						
12	2	114320-77770	BOLT ASSY, THROUGH	2						
13	1	26106-100302	BOLT, M10X 30 PLATED	2						
14	1	26716-080002	NUT, M8	1						

Fig.21. ELECTRIC PARTS

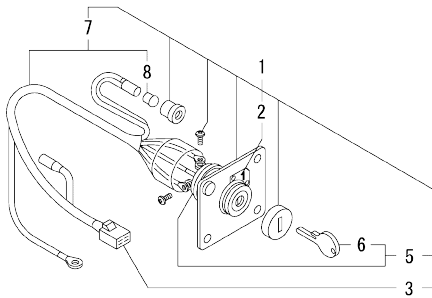


(A)=L100N6CA1T1AAKA
(B)=
(C)=

(D)=
(E)=
(F)=

No.	Lev.	Parts No.	Description	Q'ty						I	R
				(A)	(B)	(C)	(D)	(E)	(F)		
1	1	114399-77560	REGULATOR ASSY	1							
2	2	114399-77410	BRACKET, HARNESS	1							
3	2	114399-77720	REGULATOR	1							
4	3	114399-78000	FUSE, 20A	1							
5	2	26023-040102	SCREW, M4X10	2							
6	1	26106-060122	BOLT, M6X 12 PLATED	2							
7	1	26106-060202	BOLT, M6X 20 PLATED	2							

Fig.22. KEY SWITCH



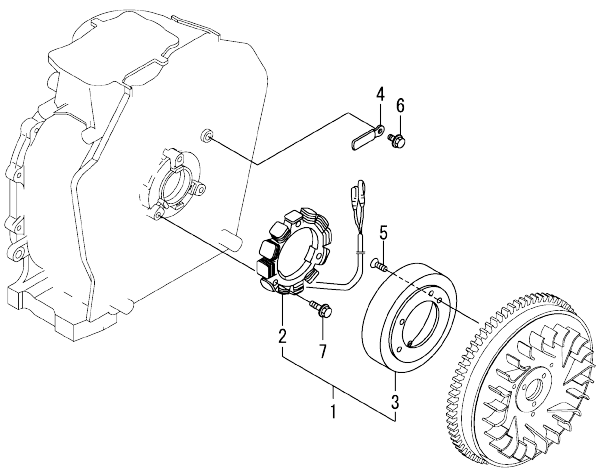
(A)=L100N6CA1T1AAKA
(B)=
(C)=

(D)=
(E)=
(F)=

No.	Lev.	Parts No.	Description	Q'ty						I	R
				(A)	(B)	(C)	(D)	(E)	(F)		
1	1	114220-77500	PANEL ASSY, SWITCH	1							
2	2	114220-07170	LABEL, START SWITCH	1							
3	2	114351-77520	COUPLER	1							
5	2	106100-77620	SWITCH, KEY	1							
6	3	106100-77630	KEY, SWITCH	1							
7	2	114351-77700	HARNES, WIRE	1							
8	3	29220-083200	BULB (12V/3.4W)	1							

OCC50-M03020 ENGINE
 Fig.23. DYNAMO

OCC50-M03020 Fig.23



(A)=L100N6CA1T1AAKA
 (B)=
 (C)=

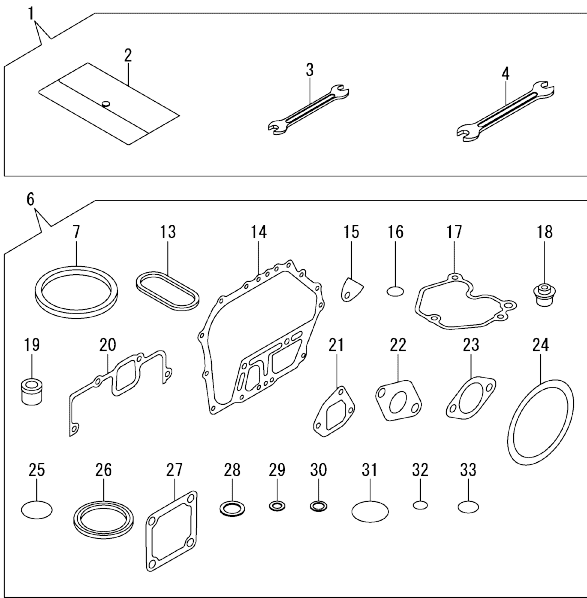
(D)=
 (E)=
 (F)=

No.	Lev.	Parts No.	Description	Q'ty					
				(A)	(B)	(C)	(D)	(E)	(F)
1	1	114399-78280	DINAMO ASSY, 15A	1					
2	2	114399-78770	STATOR ASSY	1					
3	2	114399-78780	WHEEL, DYNAMO	1					
4	1	160710-78710	CLAMP, CORD	1					
5	1	114210-78800	SCREW, M6	3					
6	1	26106-060122	BOLT, M6X 12 PLATED	1					
7	1	26106-060202	BOLT, M6X 20 PLATED	3					

Fig.24. GASKET SET & TOOL

(A)=L100N6CA1T1AAKA
(B)=
(C)=

(D)=
(E)=
(F)=



No.	Lev.	Parts No.	Description	Q'ty						I	R
				(A)	(B)	(C)	(D)	(E)	(F)		
1	1	114299-92590	TOOL ASSY	1							
2	2	114299-92600	BAG, TOOL	1							
3	2	114299-92710	WRENCH	1							
4	2	114299-92720	WRENCH	1							
6	1	114320-92600	GASKET SET	1							1
7	2	114695-01331	GASKET, HEAD	1							
13	2	114699-01380	O-RING, TAPPET	1							
14	2	114699-01410	GASKET, CASE COVER	1							
15	2	114250-01841	GASKET, COVER	1							
16	2	114299-01950	O-RING, 18	2							
17	2	114310-11310	GASKET, BONNET	1							
18	2	114650-11341	SEAL, VALVE STEM	2							
19	2	114771-11461	GASKET, NOZZLE	1							
20	2	114310-12210	GASKET, AIR CLEANER	1							
21	2	114699-12210	GASKET, AIR CLEANER	2							
22	2	114310-13200	GASKET, MUFFLER	1							
23	2	183671-13211	GASKET, MUFFLER PIPE	1							
24	2	114399-21980	GASKET	1							
25	2	114299-32570	O-RING, PUMP COVER	1							
26	2	160393-55050	GASKET	4							
27	2	129100-77510	GASKET, AIR HEATER	3							
28	2	22190-160002	WASHER, SEAL 16	2							
29	2	23414-080000	GASKET, 8X1.0	1							
30	2	23414-120000	GASKET, 12X1.0	1							
31	2	24311-000400	O-RING, 1A P40.0	1							
32	2	24341-000150	O-RING, 1A S15.0	2							
33	2	24341-000224	O-RING, 1A S22.4	1							

Remarks

(1)Optional parts.

Parts No. Index

Parts No.	Fig. No.	Ref. No.	Parts No.	Fig. No.	Ref. No.	Parts No.	Fig. No.	Ref. No.	Parts No.	Fig. No.	Ref. No.
104211-11370	4	27	114299-01950	2	4	114310-45260	14	9	114399-77030	20	10
105546-51020	16	2		24	16	114310-45270	14	10	114399-77040	20	2
105546-51330	16	15	114299-02030	1	40	114310-45320	14	4	114399-77050	20	7
106100-77620	22	5	114299-03640	4	42	114310-45350	14	13	114399-77060	20	3
106100-77630	22	6	114299-07101	3	3	114310-45360	14	14	114399-77140	20	6
114210-03590	4	39	114299-07111	3	5	114310-55230	17	4	114399-77150	20	9
114210-11901	4	31	114299-07160	3	6	114310-59061	17	25	114399-77160	20	8
114210-12560	5	11	114299-12300	5	2	114310-59310	17	27	114399-77180	20	11
114210-12590	5	12	114299-32070	12	7	114310-59800	16	65	114399-77410	21	2
114210-12600	5	15	114299-32570	12	8	114311-01450	1	30	114399-77560	21	1
114210-14300	7	2		24	25	114311-61500	12	18	114399-77720	21	3
114210-55210	17	3	114299-35110	12	12	11431C-11100	4	8	114399-78000	21	4
114210-55810	17	14	114299-35150	1	35	11431C-11110	4	9	114399-78280	23	1
114210-61290	12	32	114299-45220	14	3	11431C-11250	4	14	114399-78770	23	2
114210-66060	18	3			8	11431C-11260	4	15	114399-78780	23	3
114210-66100	18	7	114299-45301	15	3	11431C-11650	4	16	114650-02150	1	41
114210-78800	23	5	114299-45310	15	4	11431C-11660	4	20	114650-11341	4	26
114220-07100	3	2	114299-45350	15	6	11431C-13550	6	2		24	18
114220-07110	3	4	114299-55040	17	11	11431C-13560	6	3	114650-32010	12	1
114220-07120	14	2	114299-55080	17	9	11431C-13700	6	4	114650-51300	16	12
114220-07130	3	13	114299-55110	17	12	11431C-13710	6	5	114695-01331	24	7
114220-07160	3	15	114299-61190	12	17	11431C-13720	6	6	114695-01341	1	5
	18	1	114299-61600	12	29	11431C-21730	8	1	114699-01380	1	6
114220-07170	22	2	114299-66201	18	18	114320-12550	5	3		24	13
114220-12500	5	8	114299-66250	18	13	114320-13800	6	12	114699-01410	1	29
114220-77500	22	1	114299-66440	18	8	114320-14400	7	7		24	14
114240-11450	4	28	114299-67080	18	9	114320-45210	14	1	114699-01760	2	2
114240-11550	4	29	114299-92590	24	1	114320-66010	18	17	114699-11600	4	30
114240-55300	17	5	114299-92600	24	2	114320-66600	18	19	114699-12210	24	21
114250-01841	1	22	114299-92710	24	3	114320-77010	20	1	114699-21220	9	1
	24	15	114299-92720	24	4	114320-77110	20	4	114699-21550	9	2
114250-11240	4	18	114310-01020	1	1	114320-77130	20	5	114699-21600	9	3
		22	114310-01200	4	1	114320-77770	20	12	114699-21630	9	6
114250-51080	16	3	114310-01210	4	2	114320-92600	24	6	114699-22300	10	9
114250-51160	16	11	114310-11120	4	10	11432C-11020	4	3	114699-45331	15	5
114250-51340	16	16	114310-11180	4	11	11432C-14580	7	8	114699-59850	16	71
114250-51500	16	18	114310-11290	4	25	11432C-23700	10	24	114699-76251	19	2
114250-51640	16	19	114310-11310	4	36	11432C-55710	17	7	114699-76510	19	3
114250-51650	16	20		24	17	114339-51100	16	4	114699-76521	19	4
114250-53080	16	24	114310-11930	4	12	114339-53100	16	25	114699-76531	19	6
114250-53120	16	30	114310-11950	4	37	114339-53200	16	33	114699-76551	19	8
114250-53130	16	31	114310-12010	5	4	114339-59301	17	23	114699-76560	19	9
114250-53140	16	32	114310-12210	5	1	114351-77520	22	3	114699-76592	19	16
114250-53210	16	36		24	20	114351-77700	22	7	114699-76630	19	11
114250-55122	17	1	114310-13200	6	1	114399-21980	24	24	114699-76650	19	12
114250-55130	17	2		24	22	114399-45320	14	11	114699-76660	19	13
114299-01600	1	7	114310-14200	7	1	114399-45340	14	7	114699-76670	19	14
114299-01690	2	1	114310-22500	10	10			12	114699-76680	19	15
114299-01800	1	8	114310-23200	10	28	114399-76540	19	7	114740-55200	17	13
114299-01830	1	21	114310-45150	15	1	114399-76620	19	10	114770-61520	12	28

Parts No. Index

Parts No.	Fig. No.	Ref. No.
114770-61610	12	30
114771-11461	24	19
114780-59010	17	20
114780-59060	17	21
114780-61090	18	26
114940-02110	1	33
114940-02200	1	37
114940-02210	1	38
114940-23600	10	29
114940-23610	10	31
114940-23620	10	33
114940-23910	10	35
119803-53400	16	37
121750-59890	17	28
124066-59100	17	26
124550-51350	16	17
124722-59050	17	24
129100-77510	24	27
160393-55050	24	26
160710-78710	23	4
160725-78350	18	10
160842-21150	8	10
160842-21250	8	11
160842-21260	8	12
183671-13211	24	23
22117-080000	17	15
22190-160002	2	5
	24	28
22242-000150	4	24
22312-030160	4	45
	12	9
22312-040080	1	23
22322-030200	12	27
22351-020006	16	10
22351-025005	16	29
22351-030008	16	21
22351-040008	4	32
22451-060000	18	27
22512-050140	9	7
23080-014000	17	22
23414-080000	17	10
	24	29
23414-120000	24	30
23875-020000	1	24
23876-010000	13	1
24101-063040	11	6
24162-152220	1	42
24311-000125	17	6
24311-000400	24	31
24341-000150	24	32

Parts No.	Fig. No.	Ref. No.
24341-000224	12	14
	24	33
24423-355008	1	43
		44
26023-040102	21	5
26106-060082	14	15
	19	17
26106-060122	12	10
	19	18
	21	6
	23	6
26106-060142	18	14
26106-060162	12	15
	17	16
26106-060202	14	16
	18	15
	21	7
	23	7
26106-060402	5	17
26106-060652	4	49
26106-080122	1	45
26106-080202	6	7
26106-080352	1	36
26106-080452	17	17
26106-100302	20	13
26117-050089	18	6
26216-080182	6	9
26226-060182	1	25
26226-060222	1	26
26226-060352	5	18
26226-060552	4	33
26306-080002	6	10
26347-060002	18	11
26366-060002	1	27
	4	34
	14	17
	17	18
26716-080002	20	14
26776-100002	18	24
26856-060002	4	19
		23
26857-060002	18	12
29220-083200	22	8
714210-61701	12	31
714210-66100	18	2
714310-22500	10	3
714310-22540	10	13
714310-22550	10	19
714310-28510	11	1
714320-22580	10	17

Parts No.	Fig. No.	Ref. No.
714320-22620	10	11
714320-22720	10	1
714339-51200	16	1
714339-53200	16	23

Parts No.	Fig. No.	Ref. No.
-----------	----------	----------