

OCR10-M85200EN

P R E F A C E

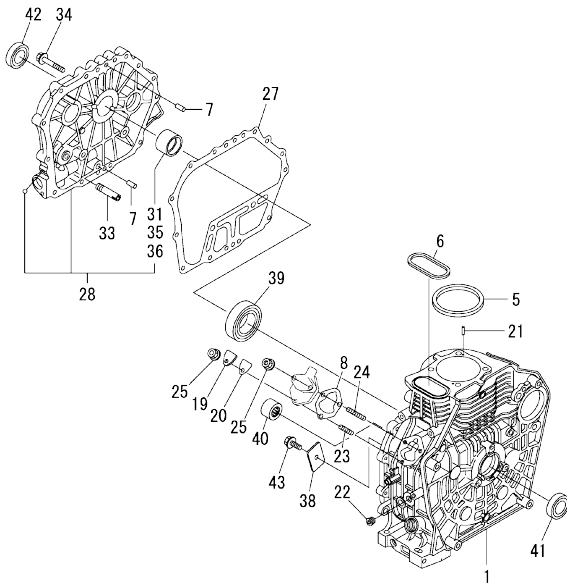
1. This Parts Catalog carries all parts incorporated in YANMAR Model L100N6CF1T1AAMS engine manufactured since February, 2012.
2. Each illustration corresponds to the parts list on the following page.
3. When ordering parts, clearly write down the engine model and serial number, as well as the name and number of each part in your order sheet. This will help insure reliable delivery of the parts you have ordered.

Contents

OCR10-M85200

| Fig. No. | Fig. Name | Fig. No. | Fig. Name |
|-----------------|-------------------------|----------|-----------|
| L100N6CF1T1AAMS | | | |
| 1. | CYLINDER BLOCK | | |
| 2. | DRAIN PLUG | | |
| 3. | LABEL | | |
| 4. | CYLINDER HEAD & BONNET | | |
| 5. | AIR CLEANER | | |
| 6. | EXHAUST MUFFLER | | |
| 7. | CAMSHAFT | | |
| 8. | CRANKSHAFT | | |
| 9. | FLYWHEEL | | |
| 10. | PISTON & CONNECTING ROD | | |
| 11. | BALANCER SHAFT | | |
| 12. | LUB.OIL PUMP & GOVERNOR | | |
| 13. | OIL PRESSURE SWITCH CAP | | |
| 14. | COVER | | |
| 15. | COOLING FAN CASE | | |
| 16. | F.I.PUMP & F.I.VALVE | | |
| 17. | FUEL TANK & FUEL PIPE | | |
| 18. | SPEED CONTROL DEVICE | | |
| 19. | RECOIL STARTER | | |
| 20. | TOOL & GASKET SET | | |

Fig.1. CYLINDER BLOCK



(A)=L100N6CF1T1AAMS
(B)=
(C)=

(D)=
(E)=
(F)=

| No. | Lev. | Parts No. | Description | Q'ty | | | | | | I | R |
|-----|------|--------------|----------------------|------|-----|-----|-----|-----|-----|---|---|
| | | | | (A) | (B) | (C) | (D) | (E) | (F) | | |
| 1 | 1 | 114310-01020 | BLOCK ASSY, CYLINDER | 1 | | | | | | | |
| 5 | 1 | 114695-01341 | GASKET, HEAD 0.5 | 1 | | | | | | | |
| 6 | 1 | 114699-01380 | O-RING | 1 | | | | | | | |
| 7 | 1 | 114299-01600 | PIN, 8X12 | 2 | | | | | | | |
| 8 | 1 | 114299-01800 | SHIM SET | 1 | | | | | | | |
| 19 | 1 | 114299-01830 | COVER | 1 | | | | | | | |
| 20 | 1 | 114250-01841 | GASKET | 1 | | | | | | | |
| 21 | 1 | 22312-040080 | PIN, PARALLEL M4X 8 | 2 | | | | | | | |
| 22 | 1 | 23875-020000 | PLUG, R02 | 1 | | | | | | | |
| 23 | 1 | 26226-060182 | STUD, M6X 18 | 1 | | | | | | | |
| 24 | 1 | 26226-060222 | STUD, M6X 22 | 2 | | | | | | | |
| 25 | 1 | 26366-060002 | NUT, M6 | 3 | | | | | | | |
| 27 | 1 | 114699-01410 | GASKET, CRANK CASE | 1 | | | | | | | |
| 28 | 1 | 114310-01450 | COVER(D, CRANK CASE | 1 | | | | | | | |
| 31 | 2 | 114650-02100 | BEARING, MAIN | 1 | | | | | | | 1 |
| 33 | 1 | 114299-35150 | PIPE, OIL INLET | 1 | | | | | | | |
| 34 | 1 | 26106-080352 | BOLT, M8X 35 PLATED | 16 | | | | | | | |
| 35 | 1 | 114650-02200 | BEARING, 0.25 US | 1 | | | | | | | 2 |
| 36 | 1 | 114650-02210 | BEARING, 0.50 US | 1 | | | | | | | 3 |
| 38 | 1 | 114299-02030 | RETAINER, BEARING | 1 | | | | | | | |
| 39 | 1 | 114650-02150 | BEARING, HR6308G3C3 | 1 | | | | | | | |
| 40 | 1 | 24162-152220 | BEARING, 152220 | 1 | | | | | | | |
| 41 | 1 | 24423-355008 | SEAL, OIL TC355008 | 1 | | | | | | | |
| 42 | 1 | 24423-355008 | SEAL, OIL TC355008 | 1 | | | | | | | |
| 43 | 1 | 26106-080122 | BOLT, M8X 12 PLATED | 1 | | | | | | | |

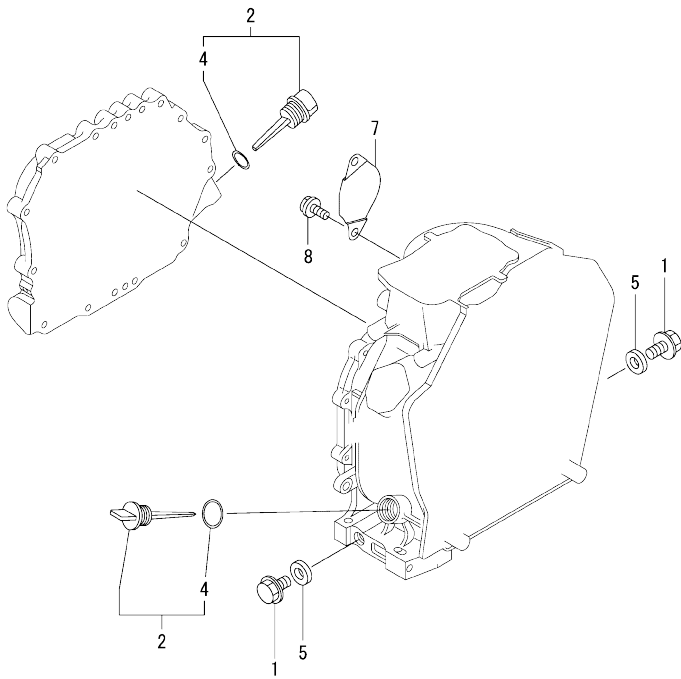
Remarks

- (1)Spare parts.
- (2)Under sized(U.S.=0.25)parts.
- (3)Under sized(U.S.=0.50)parts.

Fig.2. DRAIN PLUG

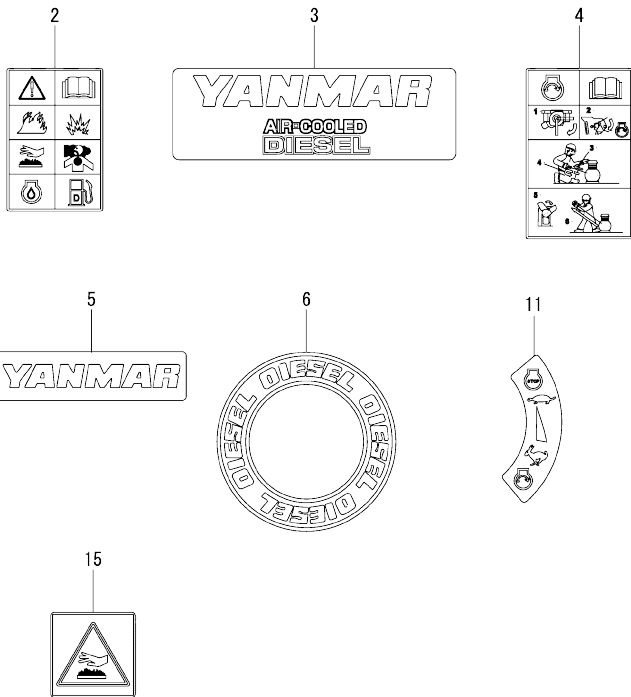
(A)=L100N6CF1T1AAMS
 (B)=
 (C)=

(D)=
 (E)=
 (F)=



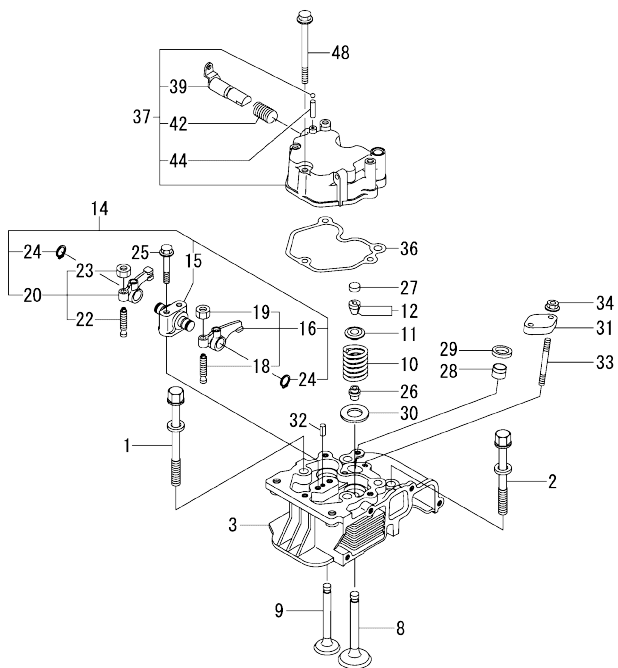
| No. | Lev. | Parts No. | Description | Q'ty | | | | | |
|-----|------|--------------|----------------------|------|-----|-----|-----|-----|-----|
| | | | | (A) | (B) | (C) | (D) | (E) | (F) |
| 1 | 1 | 114299-01690 | PLUG M16 | 2 | | | | | |
| 2 | 1 | 114699-01760 | CAP ASSY | 2 | | | | | |
| 4 | 2 | 114299-01950 | O-RING, 18 | 2 | | | | | |
| 5 | 1 | 22190-160002 | WASHER, SEAL 16 | 2 | | | | | |
| 7 | 1 | 114399-01700 | COVER, STARTER | 1 | | | | | |
| 8 | 1 | 26106-100122 | BOLT, M10X 12 PLATED | 2 | | | | | |

Fig.3. LABEL



| No. | Lev. | Parts No. | Description | Q'ty | | | | | |
|-----|------|--------------|----------------------|------|-----|-----|-----|-----|-----|
| | | | | (A) | (B) | (C) | (D) | (E) | (F) |
| 2 | 1 | 114220-07100 | LABEL, CAUTION | 1 | | | | | |
| 3 | 1 | 114299-07101 | LABEL, YANMAR MARK A | 1 | | | | | |
| 4 | 1 | 114220-07110 | LABEL HOW TO START-E | 1 | | | | | |
| 5 | 1 | 114299-07111 | LABEL, YANMAR MARK B | 1 | | | | | |
| 6 | 1 | 114299-07160 | LABEL, DIESEL | 1 | | | | | |
| 11 | 1 | 114220-07160 | LABEL, THAI | 1 | | | | | |
| 15 | 1 | 114220-07130 | LABEL, HOT SURFACE | 1 | | | | | |

Fig.4. CYLINDER HEAD & BONNET

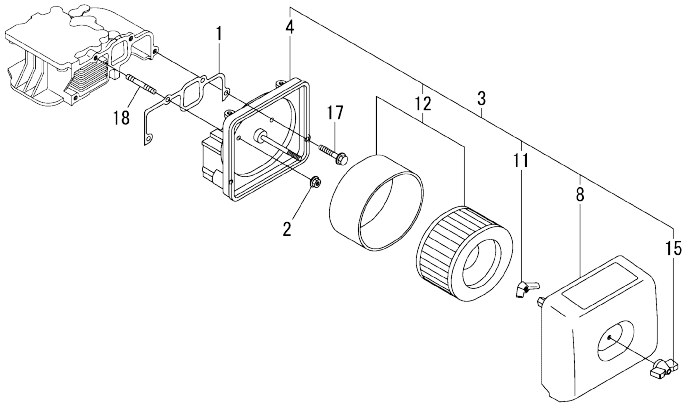


(A)=L100N6CF1T1AAMS
(B)=
(C)=

(D)=
(E)=
(F)=

| No. | Lev. | Parts No. | Description | Qty | | | | | | I | R |
|-----|------|--------------|-----------------------|-----|-----|-----|-----|-----|-----|---|---|
| | | | | (A) | (B) | (C) | (D) | (E) | (F) | | |
| 1 | 1 | 114310-01200 | BOLT, CYL HEAD A | 2 | | | | | | | |
| 2 | 1 | 114310-01210 | BOLT, CYL HEAD B | 2 | | | | | | | |
| 3 | 1 | 11432C-11020 | HEAD ASSY, CYLINDER | 1 | | | | | | | |
| 8 | 1 | 11431C-11100 | VALVE, INTAKE | 1 | | | | | | | |
| 9 | 1 | 11431C-11110 | VALVE, EXHAUST | 1 | | | | | | | |
| 10 | 1 | 114310-11120 | SPRING, VALVE | 2 | | | | | | | |
| 11 | 1 | 114310-11180 | RETAINER, SPRING | 2 | | | | | | | |
| 12 | 1 | 114310-11930 | COTTER ASSY | 2 | | | | | | | |
| 14 | 1 | 11431C-11250 | SUPPORT ASSY, ARM | 1 | | | | | | | |
| 15 | 2 | 11431C-11260 | SUPPORT, ROCKER ARM | 1 | | | | | | | |
| 16 | 2 | 11431C-11650 | ARM, ROCKER | 1 | | | | | | | |
| 18 | 3 | 114250-11240 | SCREW, VALVE ADJUST | 1 | | | | | | | |
| 19 | 3 | 26856-060002 | NUT, M6 | 1 | | | | | | | |
| 20 | 2 | 11431C-11660 | ARM, ROCKER | 1 | | | | | | | |
| 22 | 3 | 114250-11240 | SCREW, VALVE ADJUST | 1 | | | | | | | |
| 23 | 3 | 26856-060002 | NUT, M6 | 1 | | | | | | | |
| 24 | 2 | 22242-000150 | RING, 15 | 2 | | | | | | | |
| 25 | 1 | 114310-11290 | BOLT, SUPPORT | 2 | | | | | | | |
| 26 | 1 | 114650-11341 | SEAL, VALVE STEM | 2 | | | | | | | |
| 27 | 1 | 104211-11370 | CAP, VALVE | 2 | | | | | | | |
| 28 | 1 | 114240-11450 | PROTECTOR, NOZZLE | 1 | | | | | | | |
| 29 | 1 | 114240-11550 | SEAT, NOZZLE | 1 | | | | | | | |
| 30 | 1 | 114699-11600 | WASHER | 2 | | | | | | | |
| 31 | 1 | 114210-11901 | RETAINER, NOZZLE | 1 | | | | | | | |
| 32 | 1 | 22351-040008 | PIN, SPRING 4.0X 8 | 1 | | | | | | | |
| 33 | 1 | 26226-060552 | STUD, M6X 55 | 2 | | | | | | | |
| 34 | 1 | 26366-060002 | NUT, M6 | 2 | | | | | | | |
| 36 | 1 | 114310-11310 | GASKET, BONNET | 1 | | | | | | | |
| 37 | 1 | 114310-11950 | BONNET ASSY, HEAD | 1 | | | | | | | |
| 39 | 2 | 114210-03590 | DECOMPRESSION ASSY | 1 | | | | | | | |
| 42 | 2 | 114299-03640 | SPRING, DECOMPRESSION | 1 | | | | | | | |
| 44 | 2 | 22312-030160 | PIN, PARALLEL M3X16 | 1 | | | | | | | |
| 48 | 1 | 26106-060652 | BOLT, M6X 65 PLATED | 3 | | | | | | | |

Fig.5. AIR CLEANER

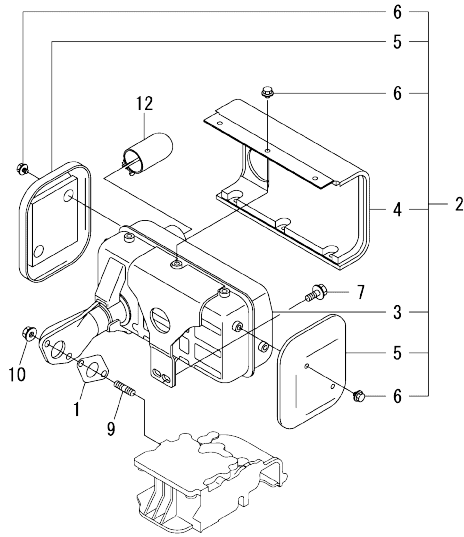


(A)=L100N6CF1T1AAMS
(B)=
(C)=

(D)=
(E)=
(F)=

| No. | Lev. | Parts No. | Description | Q'ty | | | | | |
|-----|------|--------------|----------------------|------|-----|-----|-----|-----|-----|
| | | | | (A) | (B) | (C) | (D) | (E) | (F) |
| 1 | 1 | 114310-12210 | GASKET, AIR CLEANER | 1 | | | | | |
| 2 | 1 | 114299-12300 | NUT | 3 | | | | | |
| 3 | 1 | 114320-12550 | CLEANER ASSY, AIR | 1 | | | | | |
| 4 | 2 | 114310-12010 | BODY ASSY, AIR CLNR | 1 | | | | | |
| 8 | 2 | 114220-12500 | COVER ASSY, AIR CLNR | 1 | | | | | |
| 11 | 2 | 114210-12560 | NUT, WING | 1 | | | | | |
| 12 | 2 | 114210-12590 | ELEMENT ASSY | 1 | | | | | |
| 15 | 2 | 114210-12600 | LOCKING KNOB | 1 | | | | | |
| 17 | 1 | 26106-060402 | BOLT, M6X 40 PLATED | 1 | | | | | |
| 18 | 1 | 26226-060352 | STUD, M6X 35 | 3 | | | | | |

Fig.6. EXHAUST MUFFLER

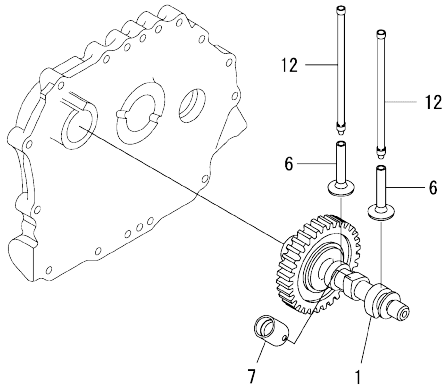


(A)=L100N6CF1T1AAMS
(B)=
(C)=

(D)=
(E)=
(F)=

| No. | Lev. | Parts No. | Description | Q'ty | | | | | | I | R |
|-------------|------|--------------|---------------------|------|-----|-----|-----|-----|-----|---|---|
| | | | | (A) | (B) | (C) | (D) | (E) | (F) | | |
| 1 | 1 | 114310-13200 | GASKET, MUFFLER | 1 | | | | | | | |
| 2 | 1 | 11431C-13550 | MUFFLER ASSY | 1 | | | | | | | |
| 3 | 2 | 11431C-13560 | MUFFLER | 1 | | | | | | | |
| 4 | 2 | 11431C-13700 | COVER | 1 | | | | | | | |
| 5 | 2 | 11431C-13710 | COVER | 2 | | | | | | | |
| 6 | 2 | 11431C-13720 | BOLT, M6 | 10 | | | | | | | |
| 7 | 1 | 26106-080202 | BOLT, M8X 20 PLATED | 2 | | | | | | | |
| 9 | 1 | 26216-080182 | STUD, M8X 18 | 2 | | | | | | | |
| 10 | 1 | 26366-080002 | NUT, M8 | 2 | | | | | | | |
| 12 | 1 | 114699-13800 | PIPE | 1 | | | | | | | |
| 12-1 | 1 | 114320-13800 | DEFLECTOR ASSY, EXH | 1 | | | | | | | N |
| (A=ESS5138) | | | | | | | | | | | |

Fig.7. CAMSHAFT

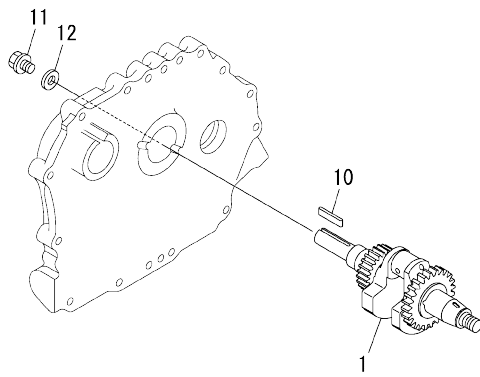


(A)=L100N6CF1T1AAMS
(B)=
(C)=

(D)=
(E)=
(F)=

| No. | Lev. | Parts No. | Description | Q'ty | | | | | |
|-----|------|--------------|---------------------|------|-----|-----|-----|-----|-----|
| | | | | (A) | (B) | (C) | (D) | (E) | (F) |
| 1 | 1 | 71432C-14010 | CAMSHAFT ASSY | 1 | | | | | |
| 6 | 1 | 114310-14200 | TAPPET | 2 | | | | | |
| 7 | 1 | 114210-14300 | TAPPET ASSY, ROLLER | 1 | | | | | |
| 12 | 1 | 114310-14400 | ROD ASSY, PUSH | 2 | | | | | |

Fig.8. CRANKSHAFT

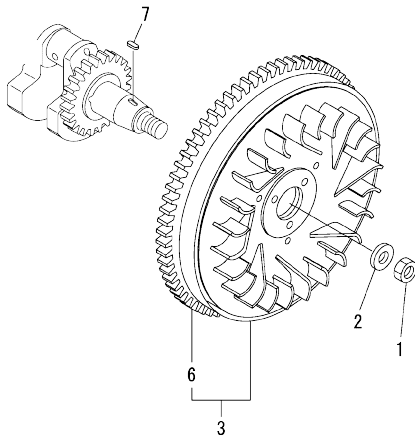


(A)=L100N6CF1T1AAMS
(B)=
(C)=

(D)=
(E)=
(F)=

| No. | Lev. | Parts No. | Description | Q'ty | | | | | |
|-----|------|--------------|---------------------|------|-----|-----|-----|-----|-----|
| | | | | (A) | (B) | (C) | (D) | (E) | (F) |
| 1 | 1 | 11431C-21730 | CRANKSHAFT ASSY,E-D | 1 | | | | | |
| 10 | 1 | 160842-21150 | KEY, 6.3X50 | 1 | | | | | |
| 11 | 1 | 160842-21250 | BOLT, 7/16-20UNF | 1 | | | | | |
| 12 | 1 | 160842-21260 | WASHER | 1 | | | | | |

Fig.9. FLYWHEEL

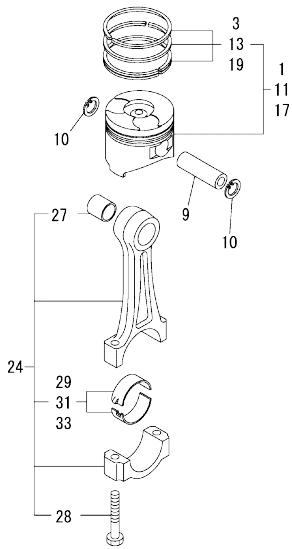


(A)=L100N6CF1T1AAMS
(B)=
(C)=

(D)=
(E)=
(F)=

| No. | Lev. | Parts No. | Description | Q'ty | | | | | |
|-----|------|--------------|-------------------|------|-----|-----|-----|-----|-----|
| | | | | (A) | (B) | (C) | (D) | (E) | (F) |
| 1 | 1 | 114699-21220 | NUT | 1 | | | | | |
| 2 | 1 | 114699-21550 | WASHER | 1 | | | | | |
| 3 | 1 | 114699-21600 | FLYWHEEL ASSY, DE | 1 | | | | | |
| 6 | 2 | 114699-21630 | RING, GEAR | 1 | | | | | |
| 7 | 1 | 22512-050140 | KEY, 5X 14 | 1 | | | | | |

Fig.10. PISTON & CONNECTING ROD



(A)=L100N6CF1T1AAMS
(B)=
(C)=

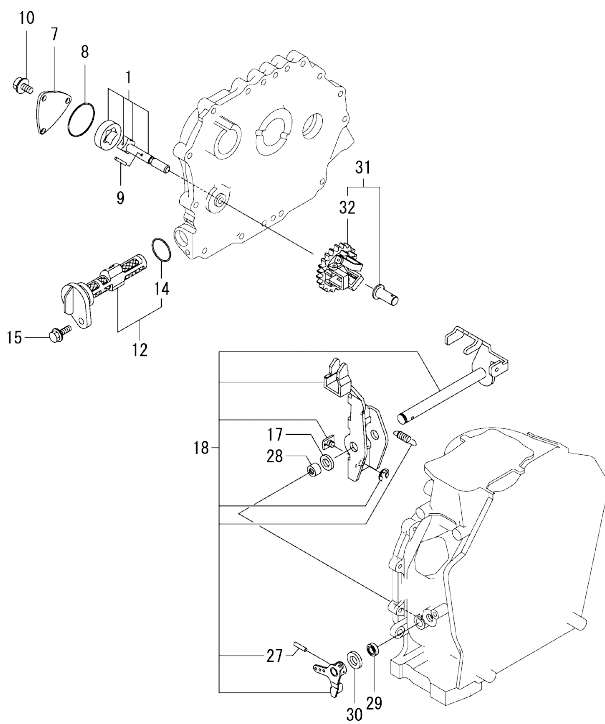
(D)=
(E)=
(F)=

| No. | Lev. | Parts No. | Description | Q'ty | | | | | | |
|-----|------|--------------|----------------------|------|-----|-----|-----|-----|-----|---|
| | | | | (A) | (B) | (C) | (D) | (E) | (F) | |
| 1 | 1 | 714320-22720 | PISTON W/RINGS (D) | 1 | | | | | | |
| 3 | 2 | 714310-22500 | RING SET, PISTON | 1 | | | | | | |
| 9 | 1 | 114699-22300 | PIN, PISTON D=23 | 1 | | | | | | |
| 10 | 1 | 114310-22500 | SEEGER RING, J23 | 2 | | | | | | |
| 11 | 1 | 714320-22620 | PISTON W/RING .25OS | 1 | | | | | | 1 |
| 13 | 2 | 714310-22540 | RING SET O.S=0.25 | 1 | | | | | | 1 |
| 17 | 1 | 714320-22580 | PISTON W/RING .50OS | 1 | | | | | | 2 |
| 19 | 2 | 714310-22550 | RING SET O.S=0.50 | 1 | | | | | | 2 |
| 24 | 1 | 71431C-23010 | ROD ASSY, CONNECTING | 1 | | | | | | |
| 27 | 2 | 124060-23100 | BEARING, PISTON PIN | 1 | | | | | | |
| 28 | 2 | 114310-23200 | BOLT, CONNECTING ROD | 2 | | | | | | |
| 29 | 2 | 714650-23600 | BEARING, CRANK PIN | 1 | | | | | | |
| 31 | 1 | 714650-23610 | BEARING ASSY, 0.25 | 1 | | | | | | 3 |
| 33 | 1 | 714650-23620 | BEARING, 0.50 US | 1 | | | | | | 4 |

Remarks

- (1)Over sized(O.S=0.25)parts.
- (2)Over sized(O.S=0.50)parts.
- (3)Under sized(U.S=0.25)parts.
- (4)Under sized(U.S=0.50)parts.

Fig.12. LUB.OIL PUMP & GOVERNOR



(A)=L100N6CF1T1AAMS
(B)=
(C)=

(D)=
(E)=
(F)=

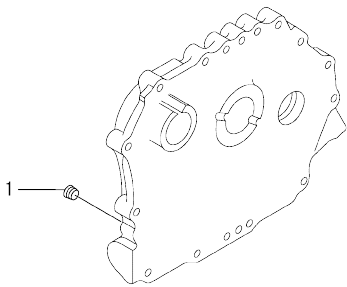
| No. | Lev. | Parts No. | Description | Q'ty | | | | | | I | R |
|-----|------|--------------|-----------------------|------|-----|-----|-----|-----|-----|---|---|
| | | | | (A) | (B) | (C) | (D) | (E) | (F) | | |
| 1 | 1 | 114650-32010 | PUMP ASSY, OIL | 1 | | | | | | | |
| 7 | 1 | 114299-32070 | COVER | 1 | | | | | | | |
| 8 | 1 | 114299-32570 | O-RING | 1 | | | | | | | |
| 9 | 1 | 22312-030160 | PIN, PARALLEL M3X16 | 1 | | | | | | | |
| 10 | 1 | 26106-060122 | BOLT, M6X 12 PLATED | 3 | | | | | | | |
| 12 | 1 | 114299-35110 | FILTER ASSY, OIL | 1 | | | | | | | |
| 14 | 2 | 24341-000224 | O-RING, 1AS22.4 | 1 | | | | | | | |
| 15 | 1 | 26106-060162 | BOLT, M6X 16 PLATED | 1 | | | | | | | |
| 17 | 1 | 114299-61190 | WASHER | 1 | | | | | | | |
| 18 | 1 | 114311-61500 | LEVER ASSY, GOVERNOR | 1 | | | | | | | 1 |
| 27 | 2 | 22322-030200 | PIN, TAPER 3X20 | 1 | | | | | | | |
| 28 | 1 | 114770-61520 | BEARING, NEEDLE | 2 | | | | | | | |
| 29 | 1 | 114299-61600 | SEAL, OIL | 1 | | | | | | | |
| 30 | 1 | 114770-61610 | WASHER, THRUST | 1 | | | | | | | |
| 31 | 1 | 714210-61701 | GOVERNOR ASSY | 1 | | | | | | | |
| 32 | 2 | 114210-61290 | WEIGHT ASSY, GOVERNOR | 1 | | | | | | | |

Remarks

(1) On a guarantee of quality component parts shall not be sold.

OCR10-M85200 L100N6CF1T1AAMS

Fig.13. OIL PRESSURE SWITCH CAP



OCR10-M85200 Fig.13

(A)=L100N6CF1T1AAMS
(B)=
(C)=

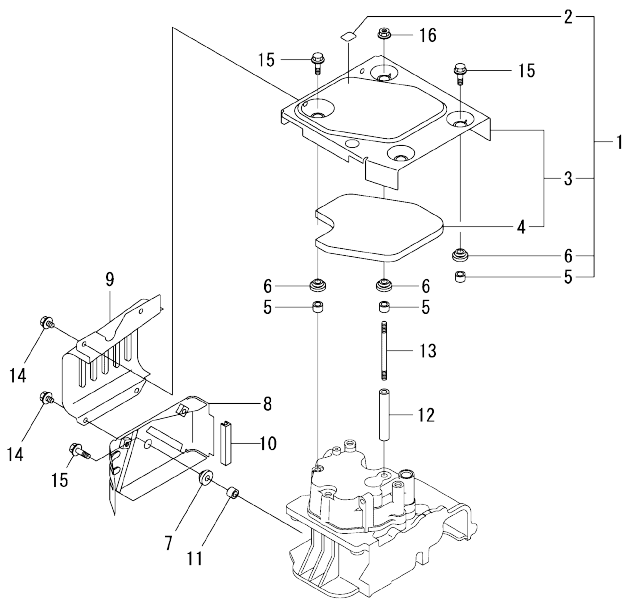
(D)=
(E)=
(F)=

| No. | Lev. | Parts No. | Description | Q'ty | | | | | | I | R |
|-----|------|--------------|-------------|------|-----|-----|-----|-----|-----|---|---|
| | | | | (A) | (B) | (C) | (D) | (E) | (F) | | |
| 1 | 1 | 23876-010000 | PLUG, R01 | 1 | | | | | | | |

Fig.14. COVER

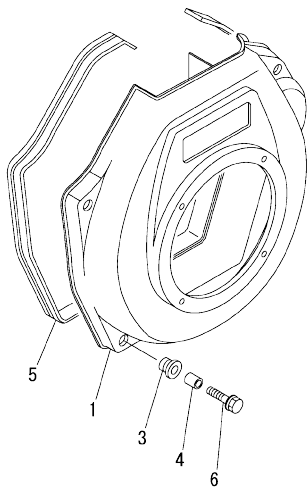
(A)=L100N6CF1T1AAMS
(B)=
(C)=

(D)=
(E)=
(F)=



| No. | Lev. | Parts No. | Description | Q'ty | | | | | |
|-----|------|--------------|----------------------|------|-----|-----|-----|-----|-----|
| | | | | (A) | (B) | (C) | (D) | (E) | (F) |
| 1 | 1 | 11432C-45200 | TOP COVER ASSY | 1 | | | | | |
| 2 | 2 | 114220-07120 | LABEL, DECOMPRESSION | 1 | | | | | |
| 3 | 2 | 11431C-45300 | COVER | 1 | | | | | |
| 4 | 3 | 11431C-45310 | INSULATOR, NOISE | 1 | | | | | |
| 5 | 2 | 114350-45340 | COLLAR | 4 | | | | | |
| 6 | 2 | 183720-55210 | GROMMET | 4 | | | | | |
| 7 | 1 | 114299-45220 | GROMMET | 1 | | | | | |
| 8 | 1 | 114310-45260 | COVER B, SIDE (13) | 1 | | | | | |
| 9 | 1 | 114310-45270 | COVER A, SIDE (13) | 1 | | | | | |
| 10 | 1 | 114399-45320 | RUBBER, SEAL | 1 | | | | | |
| 11 | 1 | 114399-45340 | COLLAR | 1 | | | | | |
| 12 | 1 | 114310-45350 | SPACER, TOP COVER | 1 | | | | | |
| 13 | 1 | 114310-45360 | STUD BOLT, TOP COVER | 1 | | | | | |
| 14 | 1 | 26106-060082 | BOLT, M6X 8 PLATED | 4 | | | | | |
| 15 | 1 | 26106-060202 | BOLT, M6X 20 PLATED | 4 | | | | | |
| 16 | 1 | 26366-060002 | NUT, M6 | 1 | | | | | |

Fig.15. COOLING FAN CASE

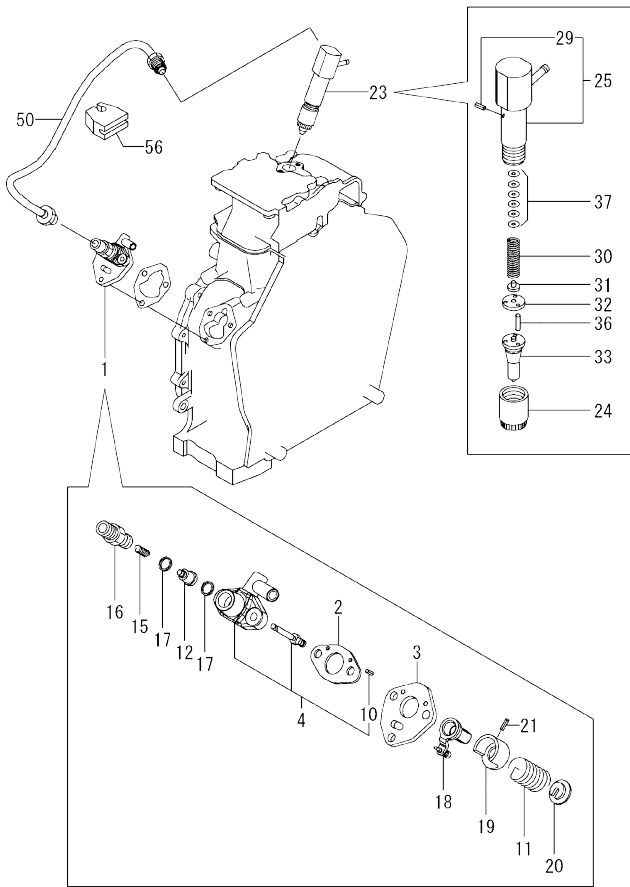


(A)=L100N6CF1T1AAMS
(B)=
(C)=

(D)=
(E)=
(F)=

| No. | Lev. | Parts No. | Description | Qty | | | | | | I | R | |
|-----|------|--------------|-------------------|-----|-----|-----|-----|-----|-----|---|---|--|
| | | | | (A) | (B) | (C) | (D) | (E) | (F) | | | |
| 1 | 1 | 114310-45150 | CASE, COOLING FAN | 1 | | | | | | | | |
| 3 | 1 | 114299-45301 | RUBBER, CUSHION | 4 | | | | | | | | |
| 4 | 1 | 114299-45310 | COLLAR | 4 | | | | | | | | |
| 5 | 1 | 114699-45331 | SEAL, FAN CASE | 1 | | | | | | | | |
| 6 | 1 | 114299-45350 | BOLT, FAN CASE | 4 | | | | | | | | |

Fig.16. F.I.PUMP & F.I.VALVE

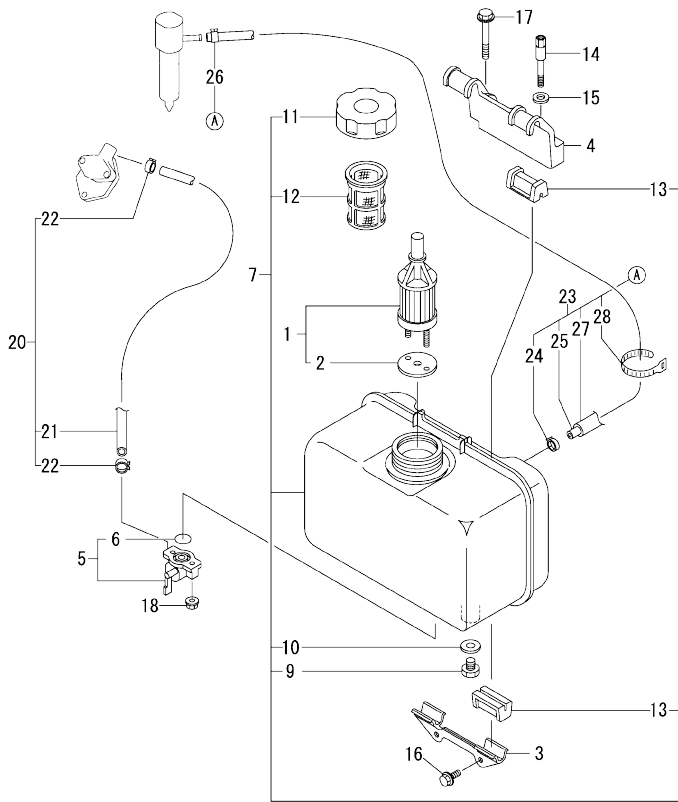


(A)=L100N6CF1T1AAMS
(B)=
(C)=

(D)=
(E)=
(F)=

| No. | Lev. | Parts No. | Description | Q'ty | | | | | | I | R |
|-----|------|--------------|-----------------------|------|-----|-----|-----|-----|-----|---|---|
| | | | | (A) | (B) | (C) | (D) | (E) | (F) | | |
| 1 | 1 | 714339-51200 | F.I.PUMP ASSY | 1 | | | | | | | |
| 2 | 2 | 105546-51020 | GASKET | 1 | | | | | | | |
| 3 | 2 | 114250-51080 | PLATE | 1 | | | | | | | |
| 4 | 2 | 114339-51100 | BODY ASSY, PUMP | 1 | | | | | | | |
| 10 | 4 | 22351-020006 | PIN, SPRING 2.0X 6 | 2 | | | | | | | |
| 11 | 2 | 114250-51160 | SPRING, PLUNGER | 1 | | | | | | | |
| 12 | 2 | 114650-51300 | VALVE ASSY, DELIVERY | 1 | | | | | | | |
| 15 | 2 | 105546-51330 | SPRING, DELIVERY | 1 | | | | | | | |
| 16 | 2 | 114250-51340 | HOLDER, DELIVERY | 1 | | | | | | | |
| 17 | 2 | 124550-51350 | GASKET, DELIVERY | 2 | | | | | | | |
| 18 | 2 | 114250-51500 | LEVER, CONTROL | 1 | | | | | | | |
| 19 | 2 | 114250-51640 | SEAT, SPRING A | 1 | | | | | | | |
| 20 | 2 | 114250-51650 | SEAT, SPRING B | 1 | | | | | | | |
| 21 | 2 | 22351-030008 | PIN, SPRING 3.0X 8 | 1 | | | | | | | |
| 23 | 1 | 714339-53200 | VALVE ASSY, INJECTION | 1 | | | | | | | |
| 24 | 2 | 114250-53080 | NUT, NOZZLE D16.95 | 1 | | | | | | | |
| 25 | 2 | 114339-53100 | HOLDER ASSY, NOZZLE | 1 | | | | | | | |
| 29 | 3 | 22351-025005 | PIN, SPRING 2.5X 6 | 1 | | | | | | | |
| 30 | 2 | 114250-53120 | SPRING, NOZZLE | 1 | | | | | | | |
| 31 | 2 | 114250-53130 | SEAT, SPRING | 1 | | | | | | | |
| 32 | 2 | 114250-53140 | PLATE | 1 | | | | | | | |
| 33 | 2 | 114339-53200 | VALVE ASSY, INJECTION | 1 | | | | | | | |
| 36 | 2 | 114250-53210 | PIN | 2 | | | | | | | |
| 37 | 2 | 114250-53400 | SHIM SET | 1 | | | | | | | |
| 50 | 1 | 114310-59800 | PIPE ASSY, INJECTION | 1 | | | | | | | |
| 56 | 1 | 114699-59850 | SUPPORT, PIPE | 1 | | | | | | | |

Fig.17. FUEL TANK & FUEL PIPE



(A)=L100N6CF1T1AAMS
(B)=
(C)=

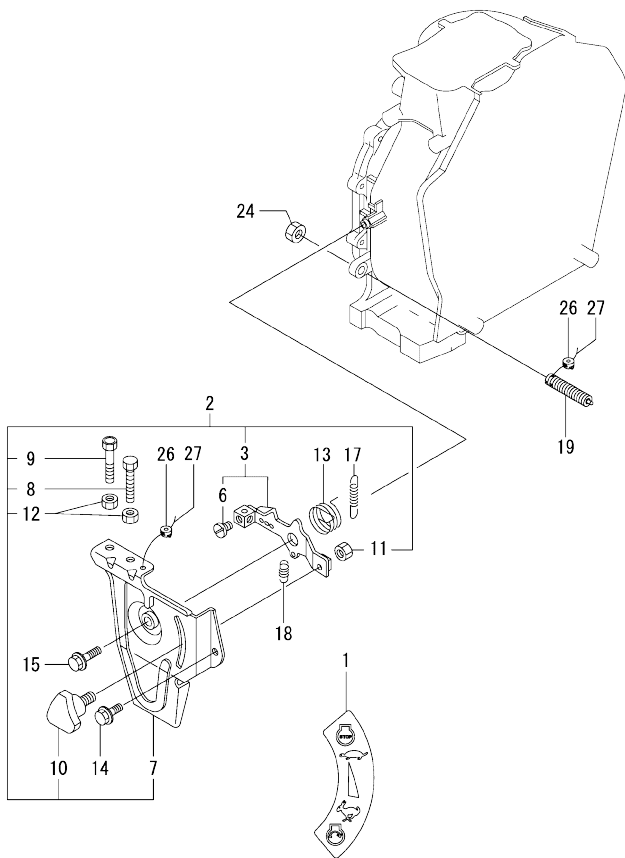
(D)=
(E)=
(F)=

| No. | Lev. | Parts No. | Description | Q'ty | | | | | | I | R |
|------|------|--------------|----------------------|------|-----|-----|-----|-----|-----|---|---|
| | | | | (A) | (B) | (C) | (D) | (E) | (F) | | |
| 1 | 1 | 114250-55121 | FILTER ASSY, FUEL | 1 | | | | | | | |
| 2 | 2 | 114250-55130 | GASKET | 1 | | | | | | | |
| 3 | 1 | 114210-55210 | STAY, FUEL TANK A | 1 | | | | | | | |
| 4 | 1 | 114310-55230 | STAY, FUEL TANK B | 1 | | | | | | | |
| 5 | 1 | 114250-55301 | COCK ASSY, FUEL | 1 | | | | | | | |
| 6 | 2 | 24341-000150 | O-RING, 1AS15.0 | 1 | | | | | | | |
| 7 | 1 | 11431C-55710 | TANK ASSY, FUEL | 1 | | | | | | | |
| 9 | 2 | 114299-55080 | PLUG, DRAIN | 1 | | | | | | | |
| 10 | 2 | 23414-080000 | GASKET, 8X1.0 | 1 | | | | | | | |
| 11 | 2 | 114299-55040 | CAP ASSY, FUEL TANK | 1 | | | | | | | |
| 12 | 2 | 114299-55100 | ELEMENT, FUEL FILTER | 1 | | | | | | | |
| 13 | 2 | 114250-55201 | DAMPER, FUEL TANK | 4 | | | | | | | |
| 14 | 1 | 114210-55810 | BOLT, LIFTING | 1 | | | | | | | |
| 15 | 1 | 22117-080000 | WASHER, 8 | 1 | | | | | | | |
| 16 | 1 | 26106-060162 | BOLT, M6X 16 PLATED | 2 | | | | | | | |
| 17 | 1 | 26106-080452 | BOLT, M8X 45 PLATED | 1 | | | | | | | |
| 18 | 1 | 26366-060002 | NUT, M6 | 2 | | | | | | | |
| 20 | 1 | 114780-59010 | PIPE ASSY, FUEL L50 | 1 | | | | | | | |
| 21 | 2 | 114780-59060 | PIPE, FUEL L=50 | 1 | | | | | | | |
| 22 | 2 | 23080-014000 | CLAMP, 14 | 2 | | | | | | | |
| 23 | 1 | 114339-59300 | PIPE ASSY, RETURN | 1 | | | | | | | |
| 23-1 | 1 | 114339-59301 | PIPE ASSY, FO RETURN | 1 | | | | | | | N |
| | | (A=2019.03) | | | | | | | | | |
| 24 | 2 | 124722-59050 | CLAMP, HOSE 9 | 1 | | | | | | | |
| 25 | 2 | 114310-59060 | PIPE, FUEL RETURN | 1 | | | | | | | |
| 25-1 | 2 | 114310-59061 | PIPE, FO RETURN | 1 | | | | | | | N |
| | | (A=2019.03) | | | | | | | | | |
| 26 | 2 | 124066-59100 | CLAMP, HOSE 8 | 1 | | | | | | | |
| 27 | 2 | 114310-59310 | HOSE, PROTECTION | 1 | | | | | | | |
| 28 | 2 | 121750-59890 | BAND, NYLON | 1 | | | | | | | |

Fig.18. SPEED CONTROL DEVICE

(A)=L100N6CF1T1AAMS
(B)=
(C)=

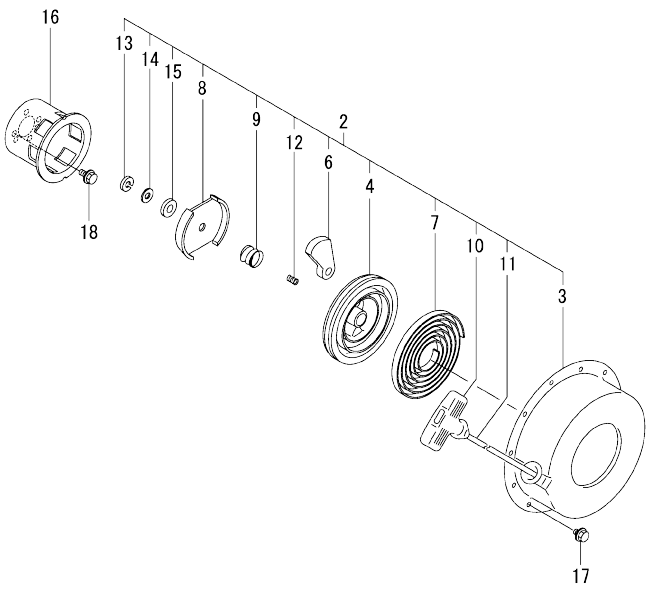
(D)=
(E)=
(F)=



| No. | Lev. | Parts No. | Description | Q'ty | | | | | | I | R |
|-----|------|--------------|----------------------|------|-----|-----|-----|-----|-----|---|---|
| | | | | (A) | (B) | (C) | (D) | (E) | (F) | | |
| 1 | 1 | 114220-07160 | LABEL, THAI | 1 | | | | | | | |
| 2 | 1 | 714210-66100 | SPEED CTRL, THAI | 1 | | | | | | | |
| 3 | 2 | 114210-66060 | HANDLE ASY,REGULATOR | 1 | | | | | | | |
| 6 | 3 | 26117-050089 | BOLT, M5X 8 PLATED | 1 | | | | | | | |
| 7 | 2 | 114210-66100 | BRACKET, REGULATOR | 1 | | | | | | | |
| 8 | 2 | 114299-66440 | BOLT, ADJUSTING | 1 | | | | | | | |
| 9 | 2 | 114299-67080 | BOLT, ADJUSTING | 1 | | | | | | | |
| 10 | 2 | 160725-78350 | KNOB | 1 | | | | | | | |
| 11 | 2 | 26347-060002 | NUT, M6 | 1 | | | | | | | |
| 12 | 2 | 26757-060002 | NUT, LOCK M6 | 2 | | | | | | | |
| 13 | 1 | 114299-66250 | SPRING, RETURN | 1 | | | | | | | |
| 14 | 1 | 26106-060142 | BOLT, M6X 14 PLATED | 1 | | | | | | | |
| 15 | 1 | 26106-060202 | BOLT, M6X 20 PLATED | 1 | | | | | | | |
| 17 | 1 | 114320-66010 | SPRING, REGULATOR | 1 | | | | | | | |
| 18 | 1 | 114299-66200 | SPRING, RETURN | 1 | | | | | | | |
| 19 | 1 | 114320-66600 | LIMITER ASSY, FUEL | 1 | | | | | | | |
| 24 | 1 | 26776-100002 | NUT, LOCK M10 | 1 | | | | | | | |
| 26 | 1 | 114780-61090 | TIN | 2 | | | | | | | |
| 27 | 1 | 22451-060000 | WIRE, 0.6 | 2 | | | | | | | |

OCR10-M85200 L100N6CF1T1AAMS
 Fig.19. RECOIL STARTER

OCR10-M85200 Fig.19



(A)=L100N6CF1T1AAMS
 (B)=
 (C)=

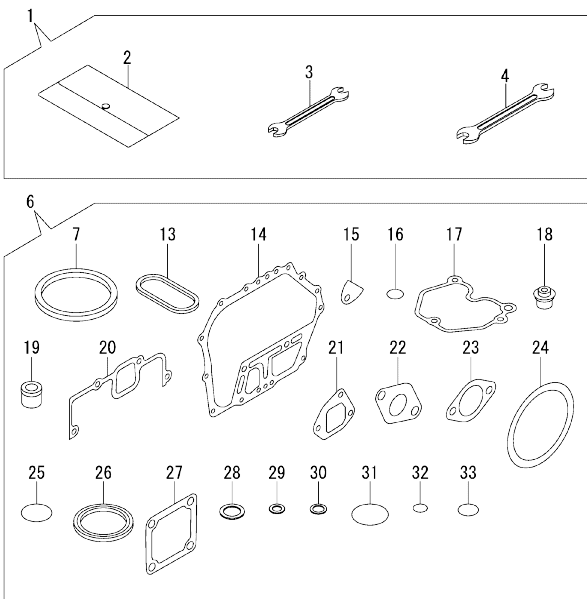
(D)=
 (E)=
 (F)=

| No. | Lev. | Parts No. | Description | Q'ty | | | | | | I | R |
|-----|------|--------------|---------------------|------|-----|-----|-----|-----|-----|---|---|
| | | | | (A) | (B) | (C) | (D) | (E) | (F) | | |
| 2 | 2 | 114699-76251 | RECOIL ASSY | 1 | | | | | | | |
| 3 | 3 | 114699-76510 | CASE, STARTER | 1 | | | | | | | |
| 4 | 3 | 114699-76521 | REEL, RECOIL | 1 | | | | | | | |
| 6 | 3 | 114699-76531 | RATCHET | 2 | | | | | | | |
| 7 | 3 | 114399-76540 | SPRING, SPIRAL | 1 | | | | | | | |
| 8 | 3 | 114699-76551 | GUIDE, RATCHET | 1 | | | | | | | |
| 9 | 3 | 114699-76560 | SPRING, FRICTION | 1 | | | | | | | |
| 10 | 3 | 114399-76620 | KNOB, STARTER | 1 | | | | | | | |
| 11 | 3 | 114699-76630 | ROPE, STARTER | 1 | | | | | | | |
| 12 | 3 | 114699-76650 | SPRING, RETURN | 1 | | | | | | | |
| 13 | 3 | 114699-76660 | CIRCLIP | 1 | | | | | | | |
| 14 | 3 | 114699-76670 | WASHER | 1 | | | | | | | |
| 15 | 3 | 114699-76680 | WASHER | 1 | | | | | | | |
| 16 | 2 | 114699-76592 | PULLEY, STARTER | 1 | | | | | | | |
| 17 | 1 | 26106-060082 | BOLT, M6X 8 PLATED | 4 | | | | | | | |
| 18 | 1 | 26106-060122 | BOLT, M6X 12 PLATED | 3 | | | | | | | |

Fig.20. TOOL & GASKET SET

(A)=L100N6CF1T1AAMS
(B)=
(C)=

(D)=
(E)=
(F)=



| No. | Lev. | Parts No. | Description | Q'ty | | | | | | I | R |
|-----|------|--------------|---------------------|------|-----|-----|-----|-----|-----|---|---|
| | | | | (A) | (B) | (C) | (D) | (E) | (F) | | |
| 1 | 1 | 114299-92590 | BOX, TOOL | 1 | | | | | | | |
| 2 | 2 | 114299-92600 | BAG, TOOL | 1 | | | | | | | |
| 3 | 2 | 114299-92710 | WRENCH | 1 | | | | | | | |
| 4 | 2 | 114299-92720 | WRENCH | 1 | | | | | | | |
| 6 | 1 | 114320-92600 | GASKET SET | 1 | | | | | | | 1 |
| 7 | 2 | 114695-01331 | GASKET, HEAD | 1 | | | | | | | |
| 13 | 2 | 114699-01380 | O-RING | 1 | | | | | | | |
| 14 | 2 | 114699-01410 | GASKET, CRANK CASE | 1 | | | | | | | |
| 15 | 2 | 114250-01841 | GASKET | 1 | | | | | | | |
| 16 | 2 | 114299-01950 | O-RING, 18 | 2 | | | | | | | |
| 17 | 2 | 114310-11310 | GASKET, BONNET | 1 | | | | | | | |
| 18 | 2 | 114650-11341 | SEAL, VALVE STEM | 2 | | | | | | | |
| 19 | 2 | 114771-11461 | GASKET, NOZZLE | 1 | | | | | | | |
| 20 | 2 | 114310-12210 | GASKET, AIR CLEANER | 1 | | | | | | | |
| 21 | 2 | 114699-12210 | GASKET, AIR CLEANER | 2 | | | | | | | |
| 22 | 2 | 114310-13200 | GASKET, MUFFLER | 1 | | | | | | | |
| 23 | 2 | 183671-13211 | GASKET, PIPE | 1 | | | | | | | |
| 24 | 2 | 114399-21980 | GASKET | 1 | | | | | | | |
| 25 | 2 | 114299-32570 | O-RING | 1 | | | | | | | |
| 26 | 2 | 160393-55050 | GASKET | 4 | | | | | | | |
| 27 | 2 | 129100-77510 | GASKET, AIR HEATER | 3 | | | | | | | |
| 28 | 2 | 22190-160002 | WASHER, SEAL 16 | 2 | | | | | | | |
| 29 | 2 | 23414-080000 | GASKET, 8X1.0 | 1 | | | | | | | |
| 30 | 2 | 23414-120000 | GASKET, 12X1.0 | 1 | | | | | | | |
| 31 | 2 | 24311-000400 | O-RING, 1AP40.0 | 1 | | | | | | | |
| 32 | 2 | 24341-000150 | O-RING, 1AS15.0 | 2 | | | | | | | |
| 33 | 2 | 24341-000224 | O-RING, 1AS22.4 | 1 | | | | | | | |

Remarks

(1)Optional parts.

Parts No. Index

| Parts No. | Fig. No. | Ref. No. | Parts No. | Fig. No. | Ref. No. | Parts No. | Fig. No. | Ref. No. | Parts No. | Fig. No. | Ref. No. |
|--------------|----------|----------|--------------|----------|----------|--------------|----------|----------|--------------|----------|----------|
| 104211-11370 | 4 | 27 | 114299-03640 | 4 | 42 | 114310-45350 | 14 | 12 | 114695-01331 | 20 | 7 |
| 105546-51020 | 16 | 2 | 114299-07101 | 3 | 3 | 114310-45360 | 14 | 13 | 114695-01341 | 1 | 5 |
| 105546-51330 | 16 | 15 | 114299-07111 | 3 | 5 | 114310-55230 | 17 | 4 | 114699-01380 | 1 | 6 |
| 114210-03590 | 4 | 39 | 114299-07160 | 3 | 6 | 114310-59060 | 17 | 25 | | 20 | 13 |
| 114210-11901 | 4 | 31 | 114299-12300 | 5 | 2 | 114310-59061 | 17 | 25 -1 | 114699-01410 | 1 | 27 |
| 114210-12560 | 5 | 11 | 114299-32070 | 12 | 7 | 114310-59310 | 17 | 27 | | 20 | 14 |
| 114210-12590 | 5 | 12 | 114299-32570 | 12 | 8 | 114310-59800 | 16 | 50 | 114699-01760 | 2 | 2 |
| 114210-12600 | 5 | 15 | | 20 | 25 | 114311-61500 | 12 | 18 | 114699-11600 | 4 | 30 |
| 114210-14300 | 7 | 7 | 114299-35110 | 12 | 12 | 11431C-11100 | 4 | 8 | 114699-12210 | 20 | 21 |
| 114210-55210 | 17 | 3 | 114299-35150 | 1 | 33 | 11431C-11110 | 4 | 9 | 114699-13800 | 6 | 12 |
| 114210-55810 | 17 | 14 | 114299-45220 | 14 | 7 | 11431C-11250 | 4 | 14 | 114699-21220 | 9 | 1 |
| 114210-61290 | 12 | 32 | 114299-45301 | 15 | 3 | 11431C-11260 | 4 | 15 | 114699-21550 | 9 | 2 |
| 114210-66060 | 18 | 3 | 114299-45310 | 15 | 4 | 11431C-11650 | 4 | 16 | 114699-21600 | 9 | 3 |
| 114210-66100 | 18 | 7 | 114299-45350 | 15 | 6 | 11431C-11660 | 4 | 20 | 114699-21630 | 9 | 6 |
| 114220-07100 | 3 | 2 | 114299-55040 | 17 | 11 | 11431C-13550 | 6 | 2 | 114699-22300 | 10 | 9 |
| 114220-07110 | 3 | 4 | 114299-55080 | 17 | 9 | 11431C-13560 | 6 | 3 | 114699-45331 | 15 | 5 |
| 114220-07120 | 14 | 2 | 114299-55100 | 17 | 12 | 11431C-13700 | 6 | 4 | 114699-59850 | 16 | 56 |
| 114220-07130 | 3 | 15 | 114299-61190 | 12 | 17 | 11431C-13710 | 6 | 5 | 114699-76251 | 19 | 2 |
| 114220-07160 | 3 | 11 | 114299-61600 | 12 | 29 | 11431C-13720 | 6 | 6 | 114699-76510 | 19 | 3 |
| | 18 | 1 | 114299-66200 | 18 | 18 | 11431C-21730 | 8 | 1 | 114699-76521 | 19 | 4 |
| 114220-12500 | 5 | 8 | 114299-66250 | 18 | 13 | 11431C-45300 | 14 | 3 | 114699-76531 | 19 | 6 |
| 114240-11450 | 4 | 28 | 114299-66440 | 18 | 8 | 11431C-45310 | 14 | 4 | 114699-76551 | 19 | 8 |
| 114240-11550 | 4 | 29 | 114299-67080 | 18 | 9 | 11431C-55710 | 17 | 7 | 114699-76560 | 19 | 9 |
| 114250-01841 | 1 | 20 | 114299-92590 | 20 | 1 | 114320-12550 | 5 | 3 | 114699-76592 | 19 | 16 |
| | 20 | 15 | 114299-92600 | 20 | 2 | 114320-13800 | 6 | 12 -1 | 114699-76630 | 19 | 11 |
| 114250-11240 | 4 | 18 | 114299-92710 | 20 | 3 | 114320-66010 | 18 | 17 | 114699-76650 | 19 | 12 |
| | | 22 | 114299-92720 | 20 | 4 | 114320-66600 | 18 | 19 | 114699-76660 | 19 | 13 |
| 114250-51080 | 16 | 3 | 114310-01020 | 1 | 1 | 114320-92600 | 20 | 6 | 114699-76670 | 19 | 14 |
| 114250-51160 | 16 | 11 | 114310-01200 | 4 | 1 | 11432C-11020 | 4 | 3 | 114699-76680 | 19 | 15 |
| 114250-51340 | 16 | 16 | 114310-01210 | 4 | 2 | 11432C-45200 | 14 | 1 | 114770-61520 | 12 | 28 |
| 114250-51500 | 16 | 18 | 114310-01450 | 1 | 28 | 114339-51100 | 16 | 4 | 114770-61610 | 12 | 30 |
| 114250-51640 | 16 | 19 | 114310-11120 | 4 | 10 | 114339-53100 | 16 | 25 | 114771-11461 | 20 | 19 |
| 114250-51650 | 16 | 20 | 114310-11180 | 4 | 11 | 114339-53200 | 16 | 33 | 114780-59010 | 17 | 20 |
| 114250-53080 | 16 | 24 | 114310-11290 | 4 | 25 | 114339-59300 | 17 | 23 | 114780-59060 | 17 | 21 |
| 114250-53120 | 16 | 30 | 114310-11310 | 4 | 36 | 114339-59301 | 17 | 23 -1 | 114780-61090 | 18 | 26 |
| 114250-53130 | 16 | 31 | | 20 | 17 | 114350-45340 | 14 | 5 | 121750-59890 | 17 | 28 |
| 114250-53140 | 16 | 32 | 114310-11930 | 4 | 12 | 114399-01700 | 2 | 7 | 124060-23100 | 10 | 27 |
| 114250-53210 | 16 | 36 | 114310-11950 | 4 | 37 | 114399-21980 | 20 | 24 | 124066-59100 | 17 | 26 |
| 114250-53400 | 16 | 37 | 114310-12010 | 5 | 4 | 114399-45320 | 14 | 10 | 124550-51350 | 16 | 17 |
| 114250-55121 | 17 | 1 | 114310-12210 | 5 | 1 | 114399-45340 | 14 | 11 | 124722-59050 | 17 | 24 |
| 114250-55130 | 17 | 2 | | 20 | 20 | 114399-76540 | 19 | 7 | 129100-77510 | 20 | 27 |
| 114250-55201 | 17 | 13 | 114310-13200 | 6 | 1 | 114399-76620 | 19 | 10 | 160393-55050 | 20 | 26 |
| 114250-55301 | 17 | 5 | | 20 | 22 | 114650-02100 | 1 | 31 | 160725-78350 | 18 | 10 |
| 114299-01600 | 1 | 7 | 114310-14200 | 7 | 6 | 114650-02150 | 1 | 39 | 160842-21150 | 8 | 10 |
| 114299-01690 | 2 | 1 | 114310-14400 | 7 | 12 | 114650-02200 | 1 | 35 | 160842-21250 | 8 | 11 |
| 114299-01800 | 1 | 8 | 114310-22500 | 10 | 10 | 114650-02210 | 1 | 36 | 160842-21260 | 8 | 12 |
| 114299-01830 | 1 | 19 | 114310-23200 | 10 | 28 | 114650-11341 | 4 | 26 | 183671-13211 | 20 | 23 |
| 114299-01950 | 2 | 4 | 114310-45150 | 15 | 1 | | 20 | 18 | 183720-55210 | 14 | 6 |
| | 20 | 16 | 114310-45260 | 14 | 8 | 114650-32010 | 12 | 1 | 22117-080000 | 17 | 15 |
| 114299-02030 | 1 | 38 | 114310-45270 | 14 | 9 | 114650-51300 | 16 | 12 | 22190-160002 | 2 | 5 |

Parts No. Index

| Parts No. | Fig. No. | Ref. No. |
|--------------|----------|----------|
| 22190-160002 | 20 | 28 |
| 22242-000150 | 4 | 24 |
| 22312-030160 | 4 | 44 |
| | 12 | 9 |
| 22312-040080 | 1 | 21 |
| 22322-030200 | 12 | 27 |
| 22351-020006 | 16 | 10 |
| 22351-025005 | 16 | 29 |
| 22351-030008 | 16 | 21 |
| 22351-040008 | 4 | 32 |
| 22451-060000 | 18 | 27 |
| 22512-050140 | 9 | 7 |
| 23080-014000 | 17 | 22 |
| 23414-080000 | 17 | 10 |
| | 20 | 29 |
| 23414-120000 | 20 | 30 |
| 23875-020000 | 1 | 22 |
| 23876-010000 | 13 | 1 |
| 24101-063040 | 11 | 6 |
| 24162-152220 | 1 | 40 |
| 24311-000400 | 20 | 31 |
| 24341-000150 | 17 | 6 |
| | 20 | 32 |
| 24341-000224 | 12 | 14 |
| | 20 | 33 |
| 24423-355008 | 1 | 41 |
| | | 42 |
| 26106-060082 | 14 | 14 |
| | 19 | 17 |
| 26106-060122 | 12 | 10 |
| | 19 | 18 |
| 26106-060142 | 18 | 14 |
| 26106-060162 | 12 | 15 |
| | 17 | 16 |
| 26106-060202 | 14 | 15 |
| | 18 | 15 |
| 26106-060402 | 5 | 17 |
| 26106-060652 | 4 | 48 |
| 26106-080122 | 1 | 43 |
| 26106-080202 | 6 | 7 |
| 26106-080352 | 1 | 34 |
| 26106-080452 | 17 | 17 |
| 26106-100122 | 2 | 8 |
| 26117-050089 | 18 | 6 |
| 26216-080182 | 6 | 9 |
| 26226-060182 | 1 | 23 |
| 26226-060222 | 1 | 24 |
| 26226-060352 | 5 | 18 |
| 26226-060552 | 4 | 33 |
| 26347-060002 | 18 | 11 |

| Parts No. | Fig. No. | Ref. No. |
|--------------|----------|----------|
| 26366-060002 | 1 | 25 |
| | 4 | 34 |
| | 14 | 16 |
| | 17 | 18 |
| 26366-080002 | 6 | 10 |
| 26757-060002 | 18 | 12 |
| 26776-100002 | 18 | 24 |
| 26856-060002 | 4 | 19 |
| | | 23 |
| 714210-61701 | 12 | 31 |
| 714210-66100 | 18 | 2 |
| 714310-22500 | 10 | 3 |
| 714310-22540 | 10 | 13 |
| 714310-22550 | 10 | 19 |
| 714310-28510 | 11 | 1 |
| 71431C-23010 | 10 | 24 |
| 714320-22580 | 10 | 17 |
| 714320-22620 | 10 | 11 |
| 714320-22720 | 10 | 1 |
| 71432C-14010 | 7 | 1 |
| 714339-51200 | 16 | 1 |
| 714339-53200 | 16 | 23 |
| 714650-23600 | 10 | 29 |
| 714650-23610 | 10 | 31 |
| 714650-23620 | 10 | 33 |

| Parts No. | Fig. No. | Ref. No. |
|-----------|----------|----------|
|-----------|----------|----------|

| Parts No. | Fig. No. | Ref. No. |
|-----------|----------|----------|
|-----------|----------|----------|