

0CW10-M70600EN

P R E F A C E

1. This Parts Catalog carries all parts incorporated in YANMAR Model L100N6CF1T1AA engine manufactured since January, 2011.
2. Each illustration corresponds to the parts list on the following page.
3. When ordering parts, clearly write down the engine model and serial number, as well as the name and number of each part in your order sheet. This will help insure reliable delivery of the parts you have ordered.

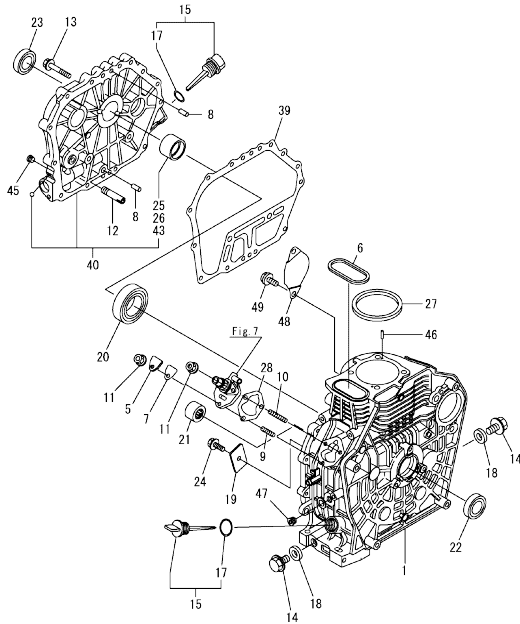
Contents

0CW10-M70600

Fig. No.	Fig. Name	Fig. No.	Fig. Name
L100N6CF1T1AA			
1.	CYLINDER BLOCK		
2.	CYLINDER HEAD & BONNET		
3.	AIR CLEANER & MUFFLER		
4.	CRANKSHAFT, PISTON & CAMSHAFT		
5.	LUB.OIL PUMP & GOVERNOR		
6.	COOLING & STARTING DEVICE		
7.	F.I.PUMP & F.I.VALVE		
8.	FUEL TANK & FUEL PIPE		
9.	TOOL, LABEL & GASKET SET		

0CW10-M70600 L100N6CF1T1AA
 Fig.1. CYLINDER BLOCK

0CW10-M70600 Fig.1



(A)=L100N6CF1T1AA
 (B)=
 (C)=

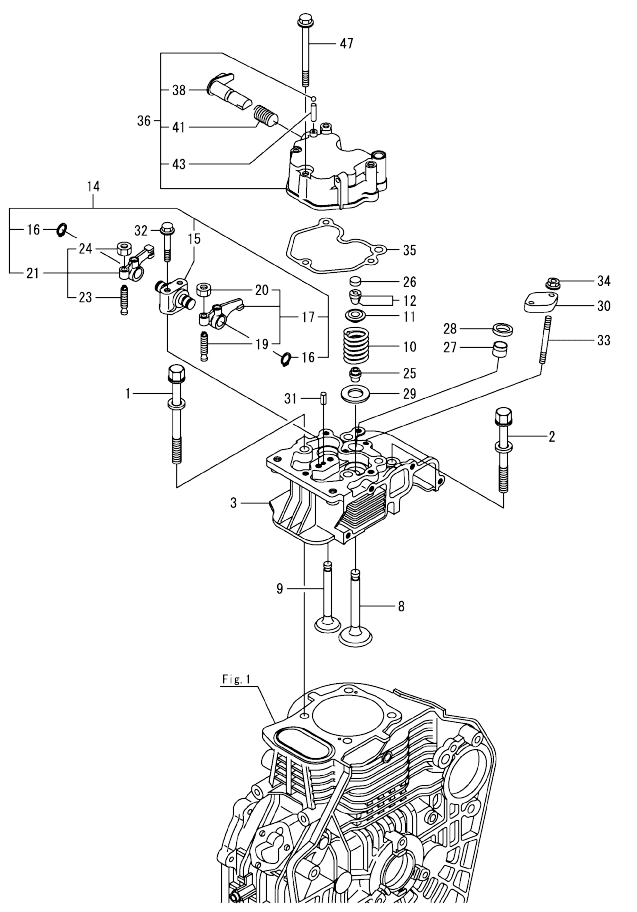
(D)=
 (E)=
 (F)=

No.	Lev.	Parts No.	Description	Q'ty						I	R
				(A)	(B)	(C)	(D)	(E)	(F)		
1	1	114310-01020	BLOCK ASSY, CYLINDER	1							
5	1	114299-01830	COVER	1							
6	1	114699-01380	O-RING	1							
7	1	114250-01841	GASKET	1							
8	1	114299-01600	PIN, 8X12	2							
9	1	26226-060182	STUD, M6X 18	1							
10	1	26226-060222	STUD, M6X 22	2							
11	1	26366-060002	NUT, M6	3							
12	1	114299-35150	PIPE, OIL INLET	1							
13	1	26106-080352	BOLT, M8X 35 PLATED	16							
14	1	114299-01690	PLUG M16	2							
15	1	114699-01760	CAP ASSY	2							
17	2	114299-01950	O-RING, 18	2							
18	1	22190-160002	WASHER, SEAL 16	2							
19	1	114299-02030	RETAINER, BEARING	1							
20	1	114650-02150	BEARING, HR6308G3C3	1							
21	1	24162-152220	BEARING, 152220	1							
22	1	24423-355008	SEAL, OIL TC355008	1							
23	1	24423-355008	SEAL, OIL TC355008	1							
24	1	26106-080122	BOLT, M8X 12 PLATED	1							2
25	1	114650-02200	BEARING, MAIN 0.25	1							3
26	1	114650-02210	BEARING, MAIN 0.50	1							
27	1	114695-01341	GASKET, HEAD 0.5	1							
28	1	114299-01800	SHIM SET	1							
39	1	114699-01410	GASKET, CRANK CASE	1							
40	1	114310-01450	COVER(D, CRANK CASE	1							
43	2	114650-02100	BEARING, MAIN	1							1
45	1	23876-010000	PLUG, R01	1							
46	1	22312-040080	PIN, PARALLEL M4X 8	2							
47	1	23875-020000	PLUG, R02	1							
48	1	114399-01700	COVER, STARTER	1							
49	1	26106-100122	BOLT, M10X 12 PLATED	2							

Remarks
 (1)Spare parts.
 (2)Under sized(U.S.=0.25)parts.
 (3)Under sized(U.S.=0.50)parts.

N:Old $\frac{REV}{REV}$ New, Q:Old $\frac{REV}{REV}$ New, R:Old $\frac{REV}{REV}$ New, S:Old $\frac{REV}{REV}$ New, W:Add, Z:Discontinued, F:Interchangeable by set, K:Q'ty Change
 Copyright (C) YANMAR CO., LTD. All Rights Reserved.

Fig.2. CYLINDER HEAD & BONNET

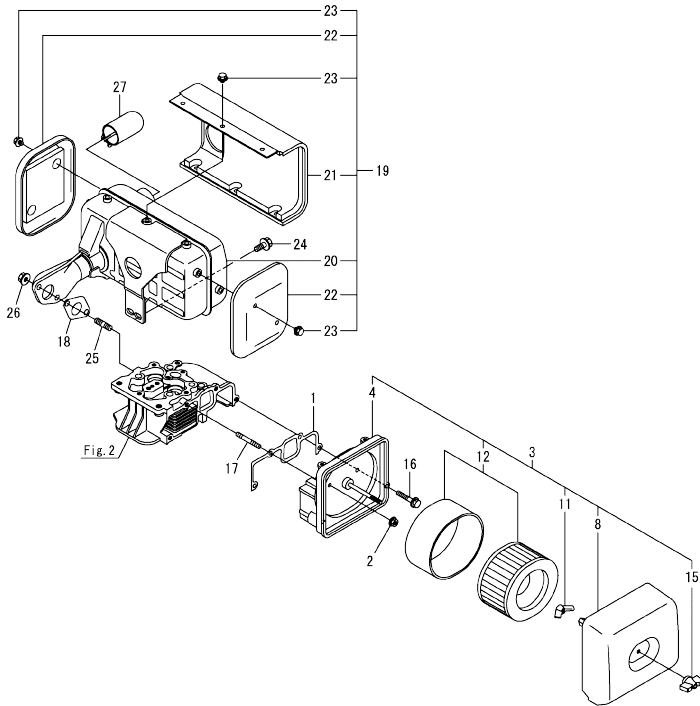


(A)=L100N6CF1T1AA
(B)=
(C)=

(D)=
(E)=
(F)=

No.	Lev.	Parts No.	Description	Qty						I	R
				(A)	(B)	(C)	(D)	(E)	(F)		
1	1	114310-01200	BOLT, CYL HEAD A	2							
2	1	114310-01210	BOLT, CYL HEAD B	2							
3	1	114320-11020	HEAD ASSY, CYLINDER	1							
8	1	11431C-11100	VALVE, INTAKE	1							
9	1	11431C-11110	VALVE, EXHAUST	1							
10	1	114310-11120	SPRING, VALVE	2							
11	1	114310-11180	RETAINER, SPRING	2							
12	1	114310-11930	COTTER ASSY	2							
14	1	11431C-11250	SUPPORT ASSY, ARM	1							
15	2	11431C-11260	SUPPORT, ROCKER ARM	1							
16	2	22242-000150	RING, 15	2							
17	2	11431C-11650	ARM, ROCKER	1							
19	3	114250-11240	SCREW, VALVE ADJUST	1							
20	3	26856-060002	NUT, M6	1							
21	2	11431C-11660	ARM, ROCKER	1							
23	3	114250-11240	SCREW, VALVE ADJUST	1							
24	3	26856-060002	NUT, M6	1							
25	1	114650-11340	SEAL, VALVE STEM	2							
26	1	104211-11370	CAP, VALVE	2							
27	1	114240-11450	PROTECTOR, NOZZLE	1							
28	1	114240-11550	SEAT, NOZZLE	1							
29	1	114699-11600	WASHER	2							
30	1	114210-11901	RETAINER, NOZZLE	1							
31	1	22351-040008	PIN, SPRING 4.0X 8	1							
32	1	114310-11290	BOLT, SUPPORT	2							
33	1	26226-060552	STUD, M6X 55	2							
34	1	26366-060002	NUT, M6	2							
35	1	114310-11310	GASKET, BONNET	1							
36	1	114310-11950	BONNET ASSY, HEAD	1							
38	2	114210-03590	DECOMPRESSION ASSY	1							
41	2	114299-03640	SPRING, DECOMPRESSION	1							
43	2	22312-030160	PIN, PARALLEL M3X16	1							
47	1	26106-060652	BOLT, M6X 65 PLATED	3							

Fig.3. AIR CLEANER & MUFFLER



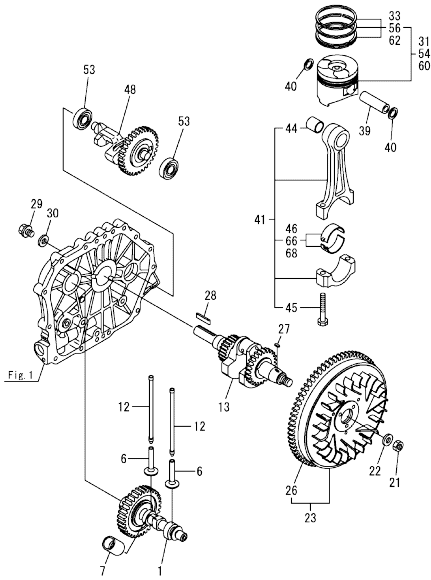
(A)=L100N6CF1T1AA
(B)=
(C)=

(D)=
(E)=
(F)=

No.	Lev.	Parts No.	Description	Q'ty						I	R
				(A)	(B)	(C)	(D)	(E)	(F)		
1	1	114310-12210	GASKET, AIR CLEANER	1							
2	1	114299-12300	NUT	3							
3	1	114320-12550	CLEANER ASSY, AIR	1							
4	2	114310-12010	BODY ASSY, AIR CLNR	1							
8	2	114220-12500	COVER ASSY, AIR CLNR	1							
11	2	114210-12560	NUT, WING	1							
12	2	114210-12590	ELEMENT ASSY, AIR	1							
15	2	114210-12600	LOCKING KNOB	1							
16	1	26106-060402	BOLT, M6X 40 PLATED	1							
17	1	26226-060352	STUD, M6X 35	3							
18	1	114310-13200	GASKET, MUFFLER	1							
19	1	11431C-13550	MUFFLER ASSY	1							
20	2	11431C-13560	MUFFLER	1							
21	2	11431C-13700	COVER	1							
22	2	11431C-13710	COVER	2							
23	2	11431C-13720	BOLT, M6	10							
24	1	26106-080202	BOLT, M8X 20 PLATED	2							
25	1	26216-080182	STUD, M8X 18	2							
26	1	26366-080002	NUT, M8	2							
27	1	114699-13800	PIPE	1							
27-1	1	114320-13800	DEFLECTOR ASSY, EXH	1							N

(A)=ES00169)

Fig.4. CRANKSHAFT, PISTON & CAMSHAFT



(A)=L100N6CF1T1AA
(B)=
(C)=

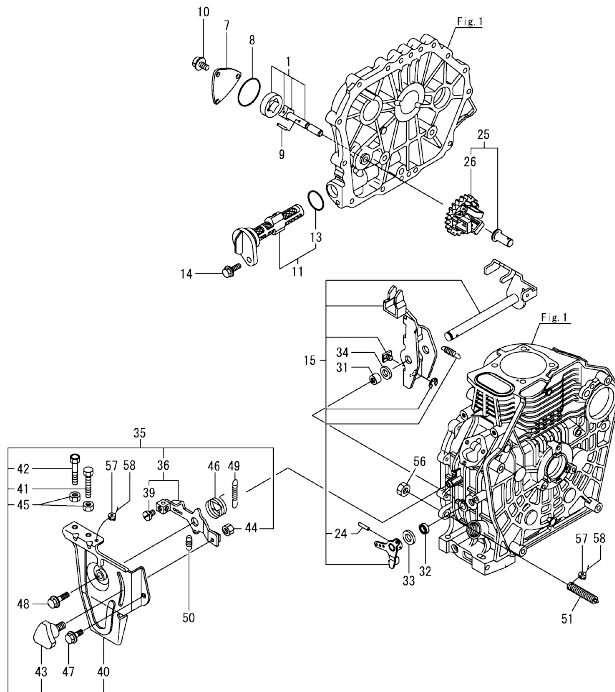
(D)=
(E)=
(F)=

No.	Lev.	Parts No.	Description	Q'ty						I	R
				(A)	(B)	(C)	(D)	(E)	(F)		
1	1	71432C-14010	CAMSHAFT ASSY	1							
6	1	114310-14200	TAPPET	2							
7	1	114210-14300	TAPPET ASSY,ROLLER	1							
12	1	114310-14400	ROD ASSY, PUSH	2							
13	1	11431C-21730	CRANKSHAFT ASSY,E-D	1							
21	1	114699-21220	NUT	1							
22	1	114699-21550	WASHER	1							
23	1	114699-21600	FLYWHEEL ASSY, DE	1							
26	2	114699-21630	RING, GEAR	1							
27	1	22512-050140	KEY, 5X 14	1							
28	1	160842-21150	KEY, 6.3X50	1							
29	1	160842-21250	BOLT, 7/16-20UNF	1							
30	1	160842-21260	WASHER	1							
31	1	714320-22720	PISTON W/RINGS (D	1							
33	2	714310-22500	RING SET, PISTON	1							
39	1	114699-22300	PIN, PISTON D=23	1							
40	1	114310-22500	SEEGER RING, J23	2							
41	1	71431C-23010	ROD ASSY, CONNECTING	1							
44	3	124060-23100	BEARING, PISTON PIN	1							
45	3	119810-23200	BOLT, CONNECTING ROD	2							
46	2	714650-23600	BEARING, CRANK PIN	1							
48	1	714310-28510	SHAFT ASSY, BALANCER	1							
53	1	24101-063040	BEARING, BALL 6304C3	2							
54	1	714320-22620	PISTON W/RING 25OS	1							1
56	2	714310-22540	RING SET O.S.=0.25	1							1
60	1	714320-22580	PISTON W/RING .50OS	1							2
62	2	714310-22550	RING SET O.S.=0.50	1							2
66	1	714650-23610	BEARING ASSY, 0.25	1							3
68	1	714650-23620	BEARING, 0.50 US	1							4

Remarks

- (1)Over sized(U.S.=0.25)parts.
- (2)Over sized(U.S.=0.50)parts.
- (3)Under sized(U.S.=0.25)parts.
- (4)Under sized(U.S.=0.50)parts.

Fig.5. LUB.OIL PUMP & GOVERNOR



(A)=L100N6CF1T1AA
(B)=
(C)=

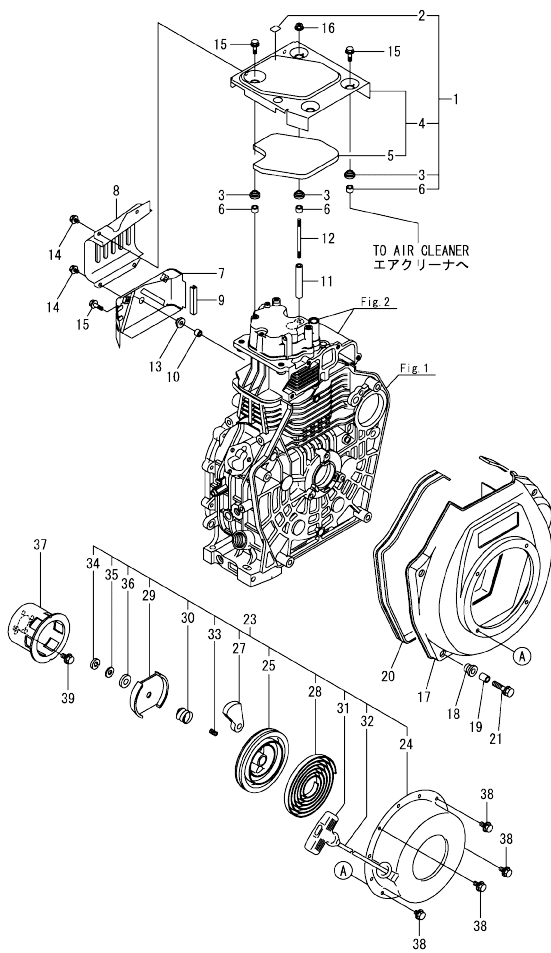
(D)=
(E)=
(F)=

No.	Lev.	Parts No.	Description	Q'ty						I	R
				(A)	(B)	(C)	(D)	(E)	(F)		
1	1	114650-32010	PUMP ASSY, OIL	1							
7	1	114299-32070	COVER	1							
8	1	114299-32570	O-RING	1							
9	1	22312-030160	PIN, PARALLEL M3X16	1							
10	1	26106-060122	BOLT, M6X 12 PLATED	3							
11	1	114299-35110	FILTER ASSY, OIL	1							
13	2	24341-000224	O-RING, 1AS22.4	1							
14	1	26106-060162	BOLT, M6X 16 PLATED	1							
15	1	114311-61500	LEVER ASSY, GOVERNOR	1							1
24	2	22322-030200	PIN, TAPER 3X20	1							
25	1	714210-61701	GOVERNOR ASSY	1							
26	2	114210-61290	WEIGHT ASSY, GOVERNOR	1							
31	1	114770-61520	BEARING, NEEDLE	2							
32	1	114299-61600	SEAL, OIL	1							
33	1	114770-61610	WASHER, THRUST	1							
34	1	114299-61190	WASHER	1							
35	1	714210-66100	SPEED CTRL, THAI	1							
36	2	114210-66060	HANDLE ASSY, REGLATR.	1							
39	3	26117-050089	BOLT, M5X 8 PLATED	1							
40	2	114210-66100	BRACKET, REGULATOR	1							
41	2	114299-66440	BOLT, ADJUSTING	1							
42	2	114299-67080	BOLT, ADJUSTING	1							
43	2	160725-78350	KNOB, BOLT M6X15	1							
44	2	26347-060002	NUT, M6	1							
45	2	26757-060002	NUT, LOCK M6	2							
46	1	114299-66250	SPRING, RETURN	1							
47	1	26106-060142	BOLT, M6X 14 PLATED	1							
48	1	26106-060202	BOLT, M6X 20 PLATED	1							
49	1	114320-66010	SPRING, REGULATOR	1							
50	1	114299-66200	SPRING, RETURN	1							
51	1	114320-66600	LIMITER ASSY, FUEL	1							
56	1	26776-100002	NUT, LOCK M10	1							
57	1	114780-61090	TIN	2							
58	1	22451-060000	WIRE, 0.6	2							

Remarks

(1) On a guarantee of quality component part shall not be sold.

Fig.6. COOLING & STARTING DEVICE



(A)=L100N6CF1T1AA
(B)=
(C)=

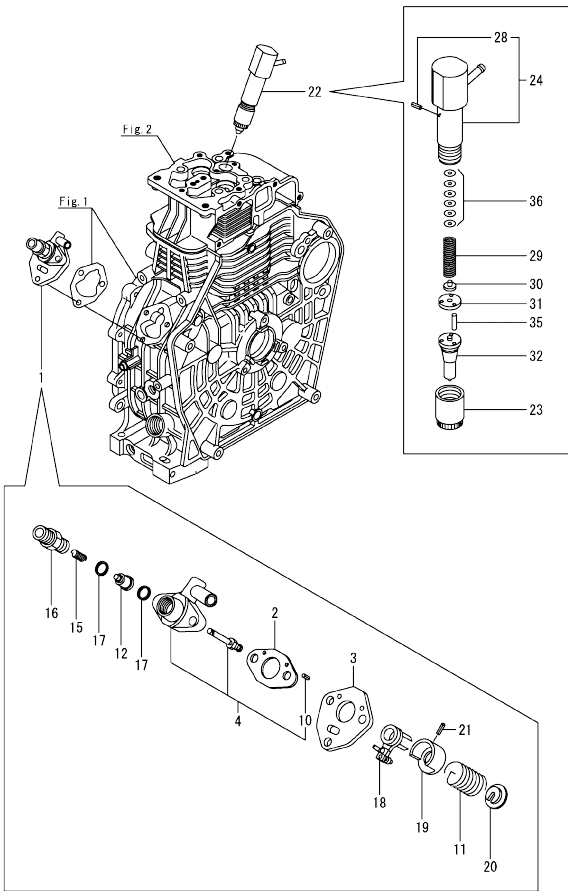
(D)=
(E)=
(F)=

No.	Lev.	Parts No.	Description	Q'ty						I	R
				(A)	(B)	(C)	(D)	(E)	(F)		
1	1	11432C-45200	TOP COVER ASSY	1							
2	2	114220-07120	LABEL, DECOMPRESSION	1							
3	2	183720-55210	GROMMET	4							
4	2	11431C-45300	COVER	1							
5	3	11431C-45310	INSULATOR, NOISE	1							
6	2	114350-45340	COLLAR	4							
7	1	11431C-45260	COVER	1							
8	1	11431C-45270	COVER	1							
9	1	114399-45320	RUBBER, SEAL	1							
10	1	114399-45340	COLLAR	1							
11	1	114310-45350	SPACER, TOP COVER	1							
12	1	114310-45360	STUD BOLT, TOP COVER	1							
13	1	114299-45220	GROMMET	1							
14	1	26106-060082	BOLT, M6X 8 PLATED	4							
15	1	26106-060202	BOLT, M6X 20 PLATED	4							
16	1	26366-060002	NUT, M6	1							
17	1	11431C-45100	CASE, COOLING FAN	1							
18	1	114299-45301	RUBBER, CUSHION	4							
19	1	114299-45310	COLLAR	4							
20	1	114699-45331	SEAL, FAN CASE	1							
21	1	114299-45350	BOLT, FAN CASE	4							
23	2	114699-76251	RECOIL ASSY	1							
24	3	114699-76510	CASE, STARTER	1							
25	3	114699-76521	REEL, RECOIL	1							
27	3	114699-76531	RATCHET	2							
28	3	114399-76540	SPRING, SPIRAL	1							
29	3	114699-76551	GUIDE, RATCHET	1							
30	3	114699-76560	SPRING, FRICTION	1							
31	3	114399-76620	KNOB, STARTER	1							
32	3	114699-76630	ROPE, STARTER	1							
33	3	114699-76650	SPRING, RETURN	1							
34	3	114699-76660	CIRCLIP	1							
35	3	114699-76670	WASHER	1							
36	3	114699-76680	WASHER	1							
37	2	114699-76592	PULLEY, STARTER	1							
38	1	26106-060082	BOLT, M6X 8 PLATED	4							
39	1	26106-060122	BOLT, M6X 12 PLATED	3							

Fig.7. F.I.PUMP & F.I.VALVE

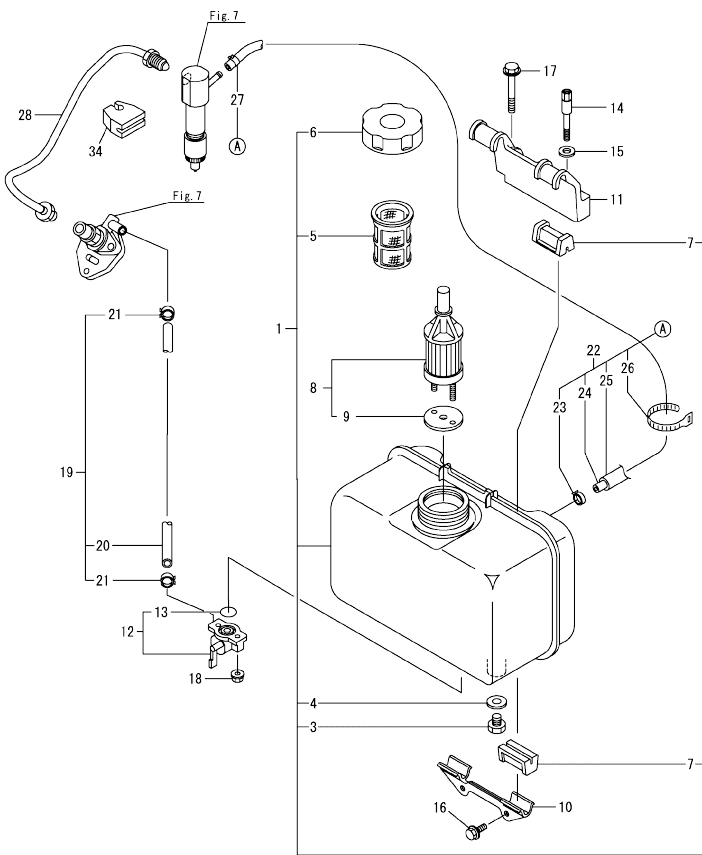
(A)=L100N6CF1T1AA
(B)=
(C)=

(D)=
(E)=
(F)=



No.	Lev.	Parts No.	Description	Q'ty					
				(A)	(B)	(C)	(D)	(E)	(F)
1	1	714339-51200	FOP ASSY	1					
2	2	105546-51020	GASKET	1					
3	2	114250-51080	PLATE	1					
4	2	114339-51100	BODY ASSY, PUMP	1					
10	4	22351-020006	PIN, SPRING 2.0X 6	2					
11	2	114250-51160	SPRING, PLUNGER	1					
12	2	114650-51300	VALVE ASSY, DELIVERY	1					
15	2	105546-51330	SPRING, DELIVERY	1					
16	2	114250-51340	HOLDER, DELIVERY	1					
17	2	124550-51350	GASKET, DELIVERY	2					
18	2	114250-51600	LEVER, CONTROL	1					
19	2	114250-51640	SEAT, SPRING	1					
20	2	114250-51650	SEAT, SPRING	1					
21	2	22351-030008	PIN, SPRING 3.0X 8	1					
22	1	714339-53200	FUEL INJECTOR ASSY	1					
23	2	114250-53080	NUT, NOZZLE	1					
24	2	114339-53100	HOLDER ASSY, NOZZLE	1					
28	3	22351-025005	PIN, SPRING 2.5X 6	1					
29	2	114250-53120	SPRING, NOZZLE	1					
30	2	114250-53130	SEAT, SPRING	1					
31	2	114250-53140	SPACER	1					
32	2	114339-53200	VALVE ASSY, INJECTION	1					
35	2	114250-53210	PIN	2					
36	2	114250-53400	SHIM SET	1					

Fig.8. FUEL TANK & FUEL PIPE



(A)=L100N6CF1T1AA
(B)=
(C)=

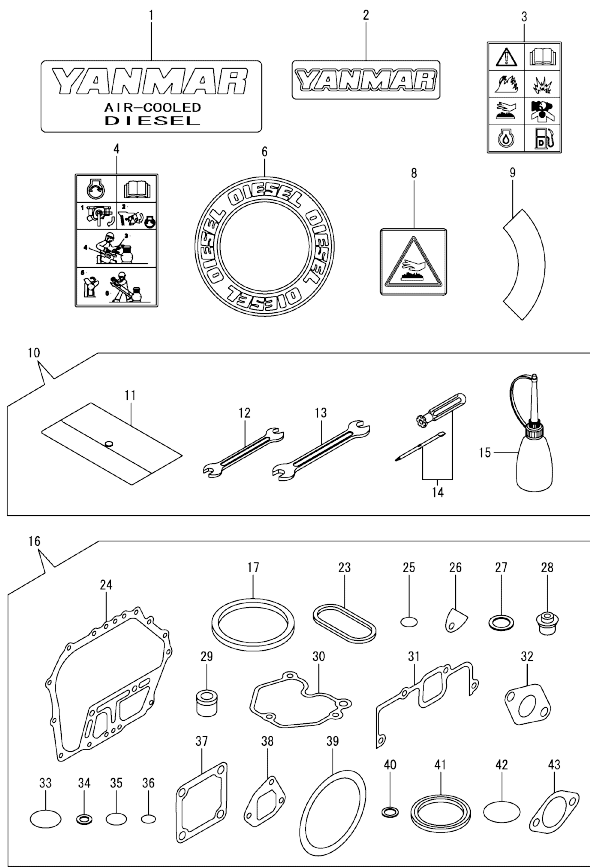
(D)=
(E)=
(F)=

No.	Lev.	Parts No.	Description	Q'ty						I	R
				(A)	(B)	(C)	(D)	(E)	(F)		
1	1	11431C-55710-1	TANK ASSY, FUEL OIL	1							
3	2	114299-55080	PLUG, DRAIN	1							
4	2	23414-080000	GASKET, 8X1.0	1							
5	2	114299-55100	ELEMENT, FUEL FILTER	1							
6	2	114299-55040	CAP ASSY, FUEL TANK	1							
7	2	114250-55201	DAMPER, FUEL TANK	4							
8	1	114250-55121	FILTER ASSY, FUEL	1							
9	2	114250-55130	GASKET	1							
10	1	114210-55210	STAY, FUEL TANK A	1							
11	1	114310-55230	STAY, FUEL TANK B	1							
12	1	114250-55301	COCK ASSY, FUEL	1							
13	2	24341-000150	O-RING, 1AS15.0	1							
14	1	114210-55810	BOLT, LIFTING	1							
15	1	22117-080000	WASHER, 8	1							
16	1	26106-060162	BOLT, M6X 16 PLATED	2							
17	1	26106-080452	BOLT, M8X 45 PLATED	1							
18	1	26366-060002	NUT, M6	2							
19	1	114780-59010	PIPE ASSY, FUEL L50	1							
20	2	114780-59060	PIPE, FUEL L=50	1							
21	2	23080-014000	CLAMP, 14	2							
22	1	114339-59300	PIPE ASSY, RETURN	1							
22-1	1	114339-59301	PIPE ASSY, FO RETURN	1							N
		(A=2019.03)									
23	2	124722-59050	CLAMP, HOSE 9	1							
24	2	114310-59060	PIPE, FUEL RETURN	1							
24-1	2	114310-59061	PIPE, FO RETURN	1							N
		(A=2019.03)									
25	2	124066-59100	CLAMP, HOSE 8	1							
26	2	114310-59310	HOSE, PROTECTION	1							
27	2	121750-59890	BAND, NYLON	1							
28	1	114310-59800	PIPE ASSY, INJECTION	1							
34	1	114699-59850	SUPPORT, PIPE	1							

Fig.9. TOOL, LABEL & GASKET SET

(A)=L100N6CF1T1AA
(B)=
(C)=

(D)=
(E)=
(F)=



No.	Lev.	Parts No.	Description	Q'ty						I	R
				(A)	(B)	(C)	(D)	(E)	(F)		
1	1	114299-07100	LABEL, AIR COOLED	1							
2	1	114299-07110	LABEL, YANMAR	1							
3	1	114220-07100	LABEL, CAUTION	1							
4	1	114220-07110	LABEL HOW TO START-E	1							
6	1	114299-07160	LABEL, DIESEL	1							
8	1	114220-07130	LABEL, HOT SURFACE	1							
9	1	114220-07160	LABEL, THAI	1							
10	2	114299-92590	BOX, TOOL	1							
11	2	114299-92600	BAG, TOOL	1							
12	2	114299-92710	WRENCH	1							
13	2	114299-92720	WRENCH	1							
14	2	114299-92730	DRIVER	1							
15	1	114299-92740	DIPSTICK	1							
16	2	114320-92600	GASKET SET	1							1
17	3	114695-01330	GASKET, HEAD	1							
23	2	114699-01380	O-RING	1							
24	2	114699-01410	GASKET, CRANK CASE	1							
25	2	114299-01950	O-RING, 18	2							
26	2	114250-01841	GASKET	1							
27	2	22190-160002	WASHER, SEAL 16	2							
28	2	114650-11340	SEAL, VALVE STEM	2							
29	2	114771-11461	GASKET, NOZZLE	1							
30	2	114310-11310	GASKET, BONNET	1							
31	2	114310-12210	GASKET, AIR CLEANER	1							
32	2	114310-13200	GASKET, MUFFLER	1							
33	2	114299-32570	O-RING	1							
34	2	23414-080000	GASKET, 8X1.0	1							
35	2	24341-000224	O-RING, 1AS22.4	1							
36	2	24341-000150	O-RING, 1AS15.0	2							
37	2	129100-77510	GASKET, AIR HEATER	3							
38	2	114699-12210	GASKET, AIR CLEANER	2							
39	2	114399-21980	GASKET	1							
40	2	23414-120000	GASKET, 12X1.0	1							
41	2	160393-55050	GASKET	4							
42	2	24311-000400	O-RING, 1AP40.0	1							
43	2	183671-13211	GASKET, MUFFLER	1							

Remarks

(1)Optional parts.

Parts No. Index

Parts No.	Fig. No.	Ref. No.
104211-11370	2	26
105546-51020	7	2
105546-51330	7	15
114210-03590	2	38
114210-11901	2	30
114210-12560	3	11
114210-12590	3	12
114210-12600	3	15
114210-14300	4	7
114210-55210	8	10
114210-55810	8	14
114210-61290	5	26
114210-66060	5	36
114210-66100	5	40
114220-07100	9	3
114220-07110	9	4
114220-07120	6	2
114220-07130	9	8
114220-07160	9	9
114220-12500	3	8
114240-11450	2	27
114240-11550	2	28
114250-01841	1	7
	9	26
114250-11240	2	19
	23	
114250-51080	7	3
114250-51160	7	11
114250-51340	7	16
114250-51600	7	18
114250-51640	7	19
114250-51650	7	20
114250-53080	7	23
114250-53120	7	29
114250-53130	7	30
114250-53140	7	31
114250-53210	7	35
114250-53400	7	36
114250-55121	8	8
114250-55130	8	9
114250-55201	8	7
114250-55301	8	12
114299-01600	1	8
114299-01690	1	14
114299-01800	1	28
114299-01830	1	5
114299-01950	1	17
	9	25
114299-02030	1	19
114299-03640	2	41

Parts No.	Fig. No.	Ref. No.
114299-07100	9	1
114299-07110	9	2
114299-07160	9	6
114299-12300	3	2
114299-32070	5	7
114299-32570	5	8
	9	33
114299-35110	5	11
114299-35150	1	12
114299-45220	6	13
114299-45301	6	18
114299-45310	6	19
114299-45350	6	21
114299-55040	8	6
114299-55080	8	3
114299-55100	8	5
114299-61190	5	34
114299-61600	5	32
114299-66200	5	50
114299-66250	5	46
114299-66440	5	41
114299-67080	5	42
114299-92590	9	10
114299-92600	9	11
114299-92710	9	12
114299-92720	9	13
114299-92730	9	14
114299-92740	9	15
114310-01020	1	1
114310-01200	2	1
114310-01210	2	2
114310-01450	1	40
114310-11120	2	10
114310-11180	2	11
114310-11290	2	32
114310-11310	2	35
	9	30
114310-11930	2	12
114310-11950	2	36
114310-12010	3	4
114310-12210	3	1
	9	31
114310-13200	3	18
	9	32
114310-14200	4	6
114310-14400	4	12
114310-22500	4	40
114310-45350	6	11
114310-45360	6	12
114310-55230	8	11

Parts No.	Fig. No.	Ref. No.
114310-59060	8	24
114310-59061	8	24 -1
114310-59310	8	26
114310-59800	8	28
114311-61500	5	15
11431C-11100	2	8
11431C-11110	2	9
11431C-11250	2	14
11431C-11260	2	15
11431C-11650	2	17
11431C-11660	2	21
11431C-13550	3	19
11431C-13560	3	20
11431C-13700	3	21
11431C-13710	3	22
11431C-13720	3	23
11431C-21730	4	13
11431C-45100	6	17
11431C-45260	6	7
11431C-45270	6	8
11431C-45300	6	4
11431C-45310	6	5
11431C-55710-1	8	1
114320-11020	2	3
114320-12550	3	3
114320-13800	3	27 -1
114320-66010	5	49
114320-66600	5	51
114320-92600	9	16
11432C-45200	6	1
114339-51100	7	4
114339-53100	7	24
114339-53200	7	32
114339-59300	8	22
114339-59301	8	22 -1
114350-45340	6	6
114399-01700	1	48
114399-21980	9	39
114399-45320	6	9
114399-45340	6	10
114399-76540	6	28
114399-76620	6	31
114650-02100	1	43
114650-02150	1	20
114650-02200	1	25
114650-02210	1	26
114650-11340	2	25
	9	28
114650-32010	5	1
114650-51300	7	12

Parts No.	Fig. No.	Ref. No.
114695-01330	9	17
114695-01341	1	27
114699-01380	1	6
	9	23
114699-01410	1	39
	9	24
114699-01760	1	15
114699-11600	2	29
114699-12210	9	38
114699-13800	3	27
114699-21220	4	21
114699-21550	4	22
114699-21600	4	23
114699-21630	4	26
114699-22300	4	39
114699-45331	6	20
114699-59850	8	34
114699-76251	6	23
114699-76510	6	24
114699-76521	6	25
114699-76531	6	27
114699-76551	6	29
114699-76560	6	30
114699-76592	6	37
114699-76630	6	32
114699-76650	6	33
114699-76660	6	34
114699-76670	6	35
114699-76680	6	36
114770-61520	5	31
114770-61610	5	33
114771-11461	9	29
114780-59010	8	19
114780-59060	8	20
114780-61090	5	57
119810-23200	4	45
121750-59890	8	27
124060-23100	4	44
124066-59100	8	25
124550-51350	7	17
124722-59050	8	23
129100-77510	9	37
160393-55050	9	41
160725-78350	5	43
160842-21150	4	28
160842-21250	4	29
160842-21260	4	30
183671-13211	9	43
183720-55210	6	3
22117-080000	8	15

Parts No. Index

Parts No.	Fig. No.	Ref. No.
22190-160002	1	18
	9	27
22242-000150	2	16
22312-030160	2	43
	5	9
22312-040080	1	46
22322-030200	5	24
22351-020006	7	10
22351-025005	7	28
22351-030008	7	21
22351-040008	2	31
22451-060000	5	58
22512-050140	4	27
23080-014000	8	21
23414-080000	8	4
	9	34
23414-120000	9	40
23875-020000	1	47
23876-010000	1	45
24101-063040	4	53
24162-152220	1	21
24311-000400	9	42
24341-000150	8	13
	9	36
24341-000224	5	13
	9	35
24423-355008	1	22
		23
26106-060082	6	14
		38
26106-060122	5	10
	6	39
26106-060142	5	47
26106-060162	5	14
	8	16
26106-060202	5	48
	6	15
26106-060402	3	16
26106-060652	2	47
26106-080122	1	24
26106-080202	3	24
26106-080352	1	13
26106-080452	8	17
26106-100122	1	49
26117-050089	5	39
26216-080182	3	25
26226-060182	1	9
26226-060222	1	10
26226-060352	3	17
26226-060552	2	33

Parts No.	Fig. No.	Ref. No.
26347-060002	5	44
26366-060002	1	11
	2	34
	6	16
	8	18
26366-080002	3	26
26757-060002	5	45
26776-100002	5	56
26856-060002	2	20
		24
714210-61701	5	25
714210-66100	5	35
714310-22500	4	33
714310-22540	4	56
714310-22550	4	62
714310-28510	4	48
71431C-23010	4	41
714320-22580	4	60
714320-22620	4	54
714320-22720	4	31
71432C-14010	4	1
714339-51200	7	1
714339-53200	7	22
714650-23600	4	46
714650-23610	4	66
714650-23620	4	68

Parts No.	Fig. No.	Ref. No.
-----------	----------	----------

Parts No.	Fig. No.	Ref. No.
-----------	----------	----------