

OCR10-M71600EN

Introduction

1. This parts catalog is a first edition of the L100N6EJ1G1EA Diesel engine for PRAMAC.

	Parts catalog No.	Date of issue	Remarks
First edition	000Y00R7160	Apr., 2008	

2. This parts catalog does not contain the technical data needed for maintenance service.

3. The illustrations used in this parts catalog have been simplified for clarity.

4. The contents of this parts catalog are subject to change without notice.

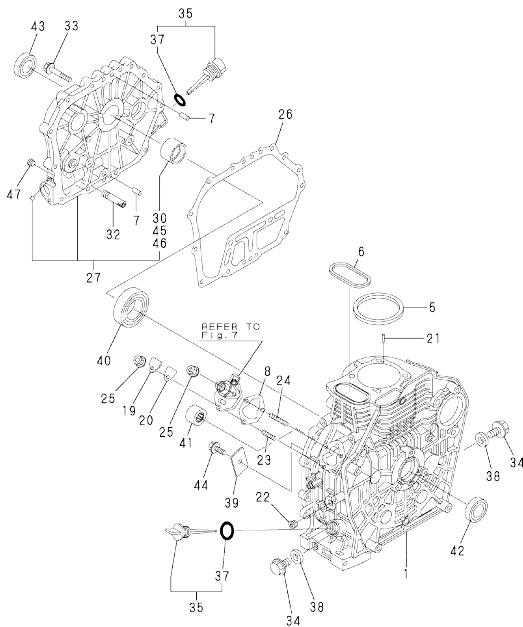
5. Be sure to use only Yanmar genuine parts for repairs. If imitation parts are used, it may cause engine defects.

Contents

OCR10-M71600

Fig. No.	Fig. Name	Fig. No.	Fig. Name
L100N6EJ1C1EA			
1.	CYLINDER BLOCK		
2.	CYLINDER HEAD & BONNET		
3.	AIR CLEANER & MUFFLER		
4.	CRANKSHAFT, PISTON & CAMSHAFT		
5.	LUB.OIL PUMP & GOVERNOR		
6.	COOLING & STARTING DEVICE		
7.	F.I.PUMP & F.I.VALVE		
10.	7A F.I.PUMP & F.I.VALVE		
8.	STARTING MOTOR & DYNAMO		
9.	TOOL, LABEL & GASKET SET		

OCR10-M71600 L100N6EJ1C1EA
 Fig.1. CYLINDER BLOCK



OCR10-M71600 Fig.1

(A)=L100N6EJ1C1EA
 (B)=
 (C)=

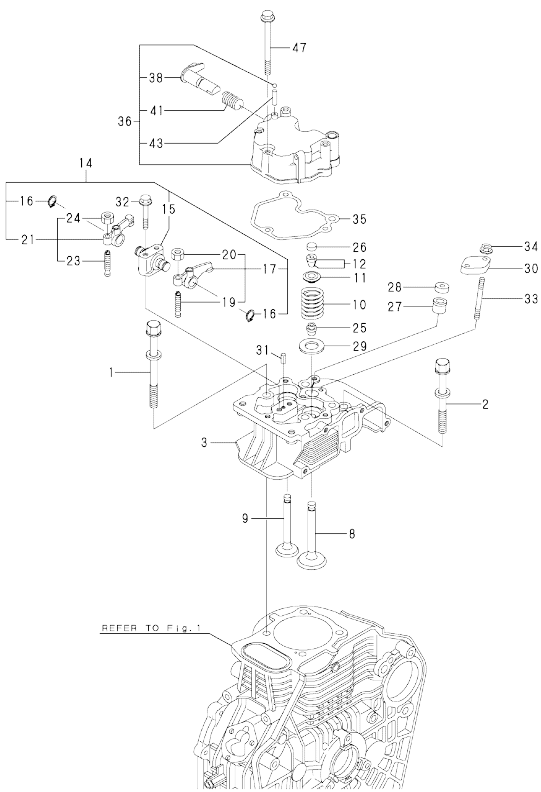
(D)=
 (E)=
 (F)=

No.	Lev.	Parts No.	Description	Q'ty						I	R
				(A)	(B)	(C)	(D)	(E)	(F)		
1	1	114310-01020	BLOCK ASSY, CYLINDER	1							
5	1	114695-01340	GASKET, HEAD 0.5	1							
6	1	114699-01380	O-RING	1							
7	1	114299-01600	PIN, 8X12	2							
8	1	114299-01800	SHIM SET	1							
19	1	114299-01830	COVER	1							
20	1	114250-01841	GASKET	1							
21	1	22312-040080	PIN, PARALLEL M4 X 8	2							
22	1	23875-020000	PLUG, R02	1							
23	1	26226-060182	STUD, M6X 18	1							
24	1	26226-060222	STUD, M6X 22	2							
25	1	26366-060002	NUT, M6	3							
26	1	114699-01410	GASKET, CRANK CASE	1							
27	1	114310-01450	COVER(D, CRANK CASE	1							
30	2	114650-02100	BEARING, MAIN	1							1
32	1	114299-35150	PIPE, OIL INLET	1							
33	1	26106-080352	BOLT, M8X 35 PLATED	16							
34	1	114299-01690	PLUG M16	2							
35	1	114699-01760	CAP ASSY	2							
37	2	114299-01950	O-RING, 18	2							
38	1	22190-160002	WASHER, SEAL 16	2							
39	1	114299-02030	RETAINER, BEARING	1							
40	1	114650-02150	BEARING, HR6308G3C3	1							
41	1	24162-152220	BEARING, 152220	1							
42	1	24423-355008	SEAL, OIL TC355008	1							
43	1	24423-355008	SEAL, OIL TC355008	1							
44	1	26106-080122	BOLT, M8X 12 PLATED	1							
45	1	114650-02200	BEARING, 0.25 US	1							2
46	1	114650-02210	BEARING, 0.50 US	1							3
47	1	23876-010000	PLUG, R01	1							

Remarks
 (1)REPAIR PART.
 (2)UNDER SIZED(U.S.=0.25)PART.
 (3)UNDER SIZED(U.S.=0.50)PART.

N:Old $\frac{100}{100}$ New, Q:Old $\frac{100}{100}$ New, R:Old $\frac{100}{100}$ New, S:Old $\frac{100}{100}$ New, W:Add, Z:Discontinued, F:Interchangeable by set, K:Qty Change
 Copyright (C) YANMAR CO., LTD. All Rights Reserved.

Fig.2. CYLINDER HEAD & BONNET



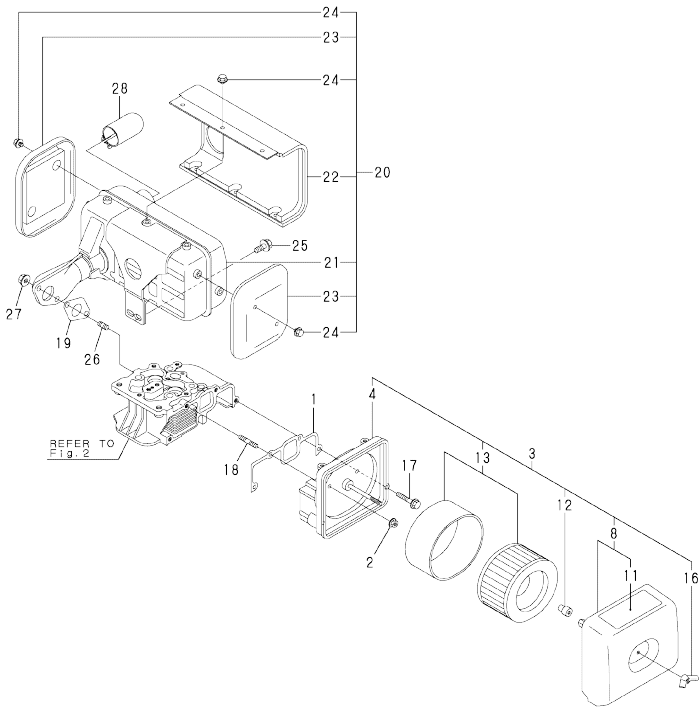
(A)=L100N6EJ1C1EA
(B)=
(C)=

(D)=
(E)=
(F)=

No.	Lev.	Parts No.	Description	Q'ty						I	R
				(A)	(B)	(C)	(D)	(E)	(F)		
1	1	114310-01200	BOLT, CYL HEAD A	2							
2	1	114310-01210	BOLT, CYL HEAD B	2							
3	1	114320-11020	HEAD ASSY, CYLINDER	1							
8	1	114310-11100	VALVE, INTAKE	1							
9	1	114310-11110	VALVE, EXHAUST	1							
10	1	114310-11120	SPRING, VALVE	2							
11	1	114310-11180	RETAINER, SPRING	2							
12	1	114310-11930	COTTER ASSY	2							
14	1	114310-11250	SUPPORT ASSY, ROCKER	1							
15	2	114310-11260	SUPPORT, ROCKER ARM	1							
16	2	114310-11280	C TYPE RETAINING RIN	2							
17	2	114310-11650	ARM ASSY, INTAKE	1							
19	3	114299-11240	SCREW, ADJUSTING	1							
20	3	26856-060002	NUT, M6	1							
21	2	114310-11660	ARM ASSY, EXHAUST	1							
23	3	114299-11240	SCREW, ADJUSTING	1							
24	3	26856-060002	NUT, M6	1							
25	1	114650-11340	SEAL, VALVE STEM	2							
26	1	104211-11370	CAP, VALVE	2							
27	1	114771-11461	GASKET, NOZZLE	1							S
		(A=EZZZZZ)									
27-1	1	114240-11450	PROTECTOR, NOZZLE	1							W 1
		(A=EZZZZZ)									
28	1	114295-11470	SPACER, NOZZLE	1							S
		(A=EZZZZZ)									
28-1	1	114240-11550	SEAT, NOZZLE	1							W 1
		(A=EZZZZZ)									
29	1	114699-11600	WASHER	2							
30	1	114210-11901	RETAINER, NOZZLE	1							
31	1	22351-040008	PIN, SPRING 4.0X 8	1							
32	1	26106-080502	BOLT, M8X 50 PLATED	2							
33	1	26226-060552	STUD, M6X 55	2							
34	1	26366-060002	NUT, M6	2							
35	1	114310-11310	GASKET, BONNET	1							
36	1	114310-11950	BONNET ASSY, HEAD	1							
38	2	114210-03590	SHAFT ASSY, DECOMP.	1							
41	2	114299-03640	SPRING, DECOMPRESSION	1							
43	2	22312-030160	PIN, PARALLEL M3X16	1							
47	1	26106-060652	BOLT, M6X 65 PLATED	3							

Remarks
(1) Fig.2 Ref.27-1, Fig.2 Ref.28-1,
Fig.10 Ref.22,
are interchangeable when replaced
at the same time.

Fig.3. AIR CLEANER & MUFFLER



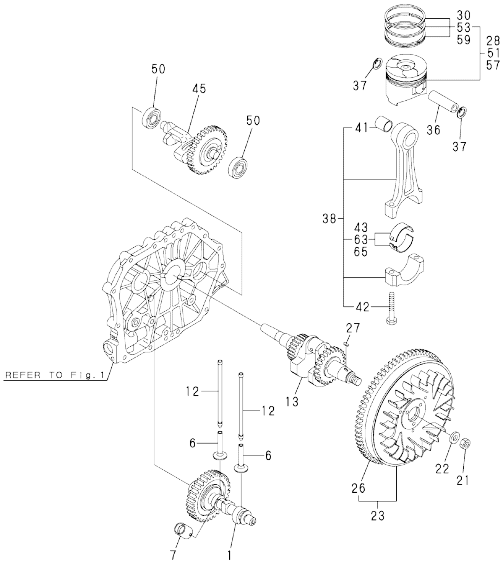
(A)=L100N6EJ1C1EA
(B)=
(C)=

(D)=
(E)=
(F)=

No.	Lev.	Parts No.	Description	Q'ty						I	R
				(A)	(B)	(C)	(D)	(E)	(F)		
1	1	114310-12210	GASKET, AIR CLEANER	1							
2	1	114299-12300	NUT		3						
3	1	114310-12511	CLEANER ASSY, AIR	1							
4	2	114310-12010	BODY ASSY, AIR CLNR	1							
8	2	114210-12500	COVER ASSY, AIR CLNR	1							
11	3	114210-12610	LABEL, AIR CLEANER	1							
12	2	114210-12560	NUT, WING	1							
13	2	114210-12590	ELEMENT ASSY	1							
16	2	114210-12600	LOCKING KNOB	1							
17	1	26106-060402	BOLT, M6X 40 PLATED	1							
18	1	26226-060352	STUD, M6X 35	3							
19	1	114310-13200	GASKET, MUFFLER	1							
20	1	114699-13552	MUFFLER ASSY	1							
21	2	114699-13562	MUFFLER	1							
22	2	114699-13700	COVER A, MUFFLER	1							
23	2	114699-13710	COVER	2							
24	2	114699-13720	BOLT, M6	10							
25	1	26106-080202	BOLT, M8X 20 PLATED	2							
26	1	26216-080182	STUD, M8X 18	2							
27	1	26366-080002	NUT, M8	2							
28	1	114699-13800	PIPE	1							
28-1	1	114320-13800	DEFLECTOR ASSY, EXH	1							N

(A)=ES06017)

Fig.4. CRANKSHAFT, PISTON & CAMSHAFT



(A)=L100N6EJ1C1EA
(B)=
(C)=

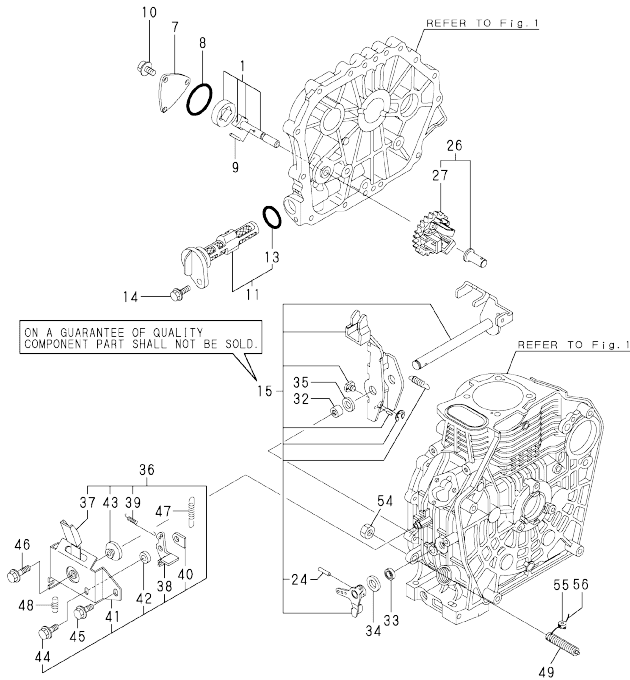
(D)=
(E)=
(F)=

No.	Lev.	Parts No.	Description	Q'ty						I	R
				(A)	(B)	(C)	(D)	(E)	(F)		
1	1	714320-14580	CAMSHAFT ASSY	1							
6	1	114310-14200	TAPPET	2							
7	1	114210-14300	TAPPET ASSY, ROLLER	1							
12	1	114310-14400	ROD ASSY, PUSH	2							
13	1	714310-21710	CRANKSHAFT(E-DG ASSY)	1							
21	1	114699-21220	NUT	1							
22	1	114699-21550	WASHER	1							
23	1	114699-21600	FLYWHEEL ASSY, DE	1							
26	2	114699-21630	RING, GEAR	1							
27	1	22512-050140	KEY, 5X 14	1							
28	1	714320-22720	PISTON W/RINGS (D)	1							
30	2	714310-22500	RING SET, PISTON	1							
36	1	114699-22300	PIN, PISTON D=23	1							
37	1	129792-22400	CIRCLIP, 23	2							
38	1	714310-23701	ROD ASSY, CONNECTING	1							
41	2	124060-23100	BEARING, PISTON PIN	1							
42	2	119810-23200	BOLT, CONNECTING ROD	2							
43	2	714650-23600	BEARING, CRANK PIN	1							
45	1	714310-28510	SHAFT ASSY, BALANCER	1							
50	1	24101-063040	BEARING, BALL 6304C3	2							
51	1	714320-22620	PISTON W/RING OS=.25	1							1
53	2	714310-22540	RING SET O.S.=0.25	1							1
57	1	714320-22580	PISTON W/RING OS=0.5	1							2
59	2	714310-22550	RING SET O.S.=0.50	1							2
63	1	714650-23610	BEARING ASSY, 0.25	1							3
65	1	714650-23620	BEARING, 0.50 US	1							4

Remarks

- (1)OVER SIZED(O.S.=0.25)PART.
- (2)OVER SIZED(O.S.=0.50)PART.
- (3)UNDER SIZED(U.S.=0.25)PART.
- (4)UNDER SIZED(U.S.=0.50)PART.

Fig.5. LUB.OIL PUMP & GOVERNOR

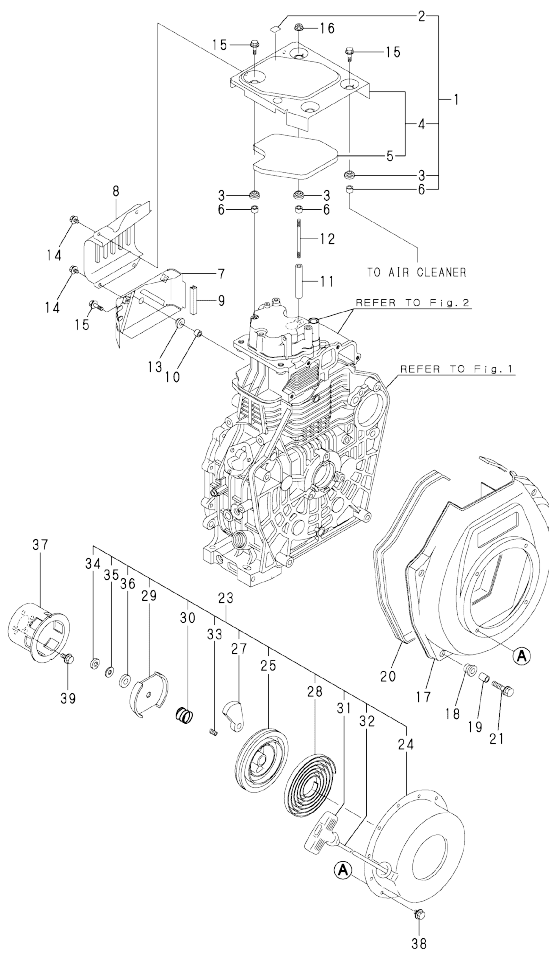


(A)=L100N6EJ1C1EA
(B)=
(C)=

(D)=
(E)=
(F)=

No.	Lev.	Parts No.	Description	Q'ty						I	R
				(A)	(B)	(C)	(D)	(E)	(F)		
1	1	114650-32010	PUMP ASSY, OIL	1							
7	1	114299-32070	COVER	1							
8	1	114299-32570	O-RING	1							
9	1	22312-030160	PIN, PARALLEL M3X16	1							
10	1	26106-060122	BOLT, M6X 12 PLATED	3							
11	1	114299-35110	FILTER ASSY, OIL	1							
13	2	24341-000224	O-RING, 1AS22.4	1							
14	1	26106-060162	BOLT, M6X 16 PLATED	1							
15	1	114311-61500	LEVER ASSY, GOVERNOR	1							
24	2	22322-030200	PIN, TAPER 3X20	1							
26	1	714210-61701	GOVERNOR ASSY	1							
27	2	114210-61290	WEIGHT ASSY, GOVERNOR	1							
32	1	114295-61520	NEEDLE BEARING	2							
33	1	114299-61600	SEAL, OIL	1							
34	1	114770-61610	WASHER, THRUST	1							
35	1	114299-61190	WASHER	1							
36	1	114210-66510	BRACKET, REGULATOR	1							
37	2	114210-66300	HANDLE	1							
38	2	183250-66321	LEVER, LOCK	1							
39	2	183250-66331	SPRING	1							
40	2	183250-66341	NUT, LOCK	1							
41	2	114210-66350	BRACKET	1							
42	2	183250-66361	COLLAR	1							
43	2	183250-66371	COLLAR	1							
44	2	26106-060162	BOLT, M6X 16 PLATED	1							
45	1	26106-060142	BOLT, M6X 14 PLATED	1							
46	1	26106-060202	BOLT, M6X 20 PLATED	1							
47	1	114320-66010	SPRING, REGULATOR	1							
48	1	114299-66200	SPRING, RETURN	1							
49	1	114320-66600	LIMITER ASSY, FUEL	1							
54	1	26776-100002	NUT, LOCK M10	1							
55	1	114780-61090	TIN	1							
56	1	22451-060000	WIRE, 0.6	1							

Fig.6. COOLING & STARTING DEVICE



(A)=L100N6EJ1C1EA
(B)=
(C)=

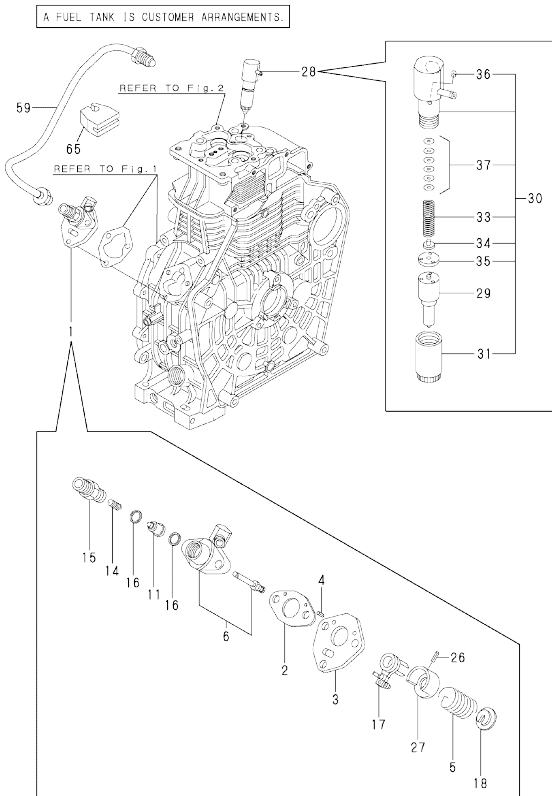
(D)=
(E)=
(F)=

No.	Lev.	Parts No.	Description	Q'ty						I	R
				(A)	(B)	(C)	(D)	(E)	(F)		
1	1	714310-45100	TOP COVER, ASSY	1							
2	2	114210-07200	LABEL, DECOMPRESSION	1							
3	2	114299-45220	GROMMET	4							
4	2	114310-45300	COVER, TOP	1							
5	3	114310-45310	DAMPER	1							
6	2	114399-45340	COLLAR	4							
7	1	114310-45260	COVER B, SIDE	1							
8	1	114310-45270	COVER A, SIDE	1							
9	1	114399-45320	RUBBER, SEAL	1							
10	1	114399-45340	COLLAR	1							
11	1	114310-45350	SPACER, TOP COVER	1							
12	1	114310-45360	STUD BOLT, TOP COVER	1							
13	1	114299-45220	GROMMET	1							
14	1	26106-060082	BOLT, M6X 8 PLATED	4							
15	1	26106-060202	BOLT, M6X 20 PLATED	4							
16	1	26366-060002	NUT, M6	1							
17	1	114310-45100	FAN CASE(SILVER)(17)	1							
18	1	114299-45301	RUBBER, CUSHION	4							
19	1	114299-45310	COLLAR	4							
20	1	114699-45330	SEAL, FAN CASE	1							
21	1	114299-45350	BOLT, FAN CASE	4							
23	1	114699-76251	STARTER ASSY, RECOIL	1							
24	2	114699-76510	CASE, STARTER	1							
25	2	114699-76521	REEL, RECOIL	1							
27	2	114699-76531	RATCHET	2							
28	2	114399-76540	SPRING, SPIRAL	1							
29	2	114699-76551	GUIDE, RATCHET	1							
30	2	114699-76560	SPRING, FRICTION	1							
31	2	114399-76620	KNOB, STARTER	1							
32	2	114699-76630	ROPE, STARTER	1							
33	2	114699-76650	SPRING, RETURN	1							
34	2	114699-76660	CIRCLIP	1							
35	2	114699-76670	WASHER	1							
36	2	114699-76680	WASHER	1							
37	1	114699-76592	PULLEY, STARTER	1							
38	1	26106-060082	BOLT, M6X 8 PLATED	4							
39	1	26106-060122	BOLT, M6X 12 PLATED	3							

Fig.7. F.I.PUMP & F.I.VALVE

(A)=L100N6EJ1C1EA
(B)=
(C)=

(D)=
(E)=
(F)=

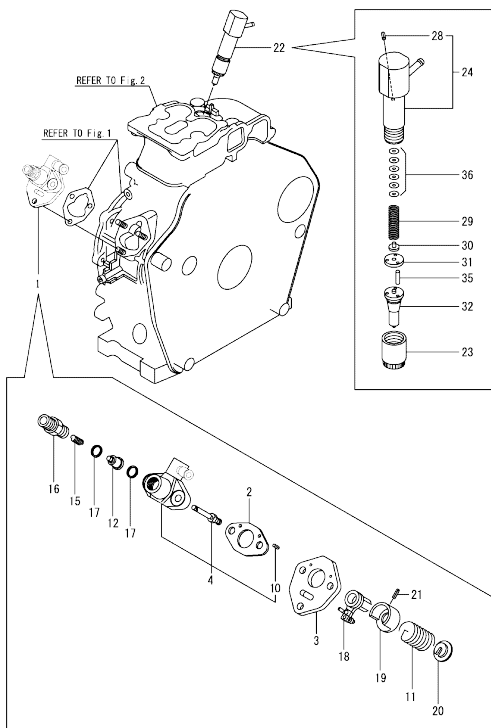


No.	Lev.	Parts No.	Description	Q'ty						I	R
				(A)	(B)	(C)	(D)	(E)	(F)		
1	1	714320-51100	PUMP ASSY, F.INJECT.	1							1
2	2	114299-51020	GASKET, PUMP BODY	1							
3	2	114299-51080	PLATE	1							
4	2	114299-51090	PIN, 2.0A X 6	2							
5	2	114299-51160	SPRING, PLUNGER	1							
6	2	114320-51200	BODY ASSY, PUMP	1							
11	2	114699-51300	VALVE ASSY, DELIVERY	1							
14	2	114299-51330	SPRING, VALVE	1							
15	2	114299-51340	HOLDER, DELIVERY	1							
16	2	114299-51350	PACKING, DELIVERY	2							
17	2	114299-51600	LEVER, CONTROL	1							
18	2	114299-51620	SEAT ASSY (B, SPRING	1							
26	2	114299-51630	PIN, 2.5A X 8	1							
27	2	114299-51640	SEAT, SPRING	1							
28	1	714320-53100	FUEL INJECTOR	1							2
29	2	114320-53000	NOZZLE ASSY	1							
30	2	114210-53100	HOLDER ASSY,NOZZLE	1							
31	3	114210-53080	NUT,NOZZLE	1							
33	3	114210-53120	SPRING,NOZZLE	1							
34	3	114210-53130	SEAT,SPRING	1							
35	3	114210-53140	SPACER ASSY,VALVE	1							
36	3	114210-53330	PIN	1							
37	3	114210-53400	SHIM SET	1							
59	1	114310-59800	PIPE, FUEL INJECTION	1							
65	1	114699-59850	SUPPORT, PIPE	1							

Remarks

- (1)New type is in Fig.10 Ref.1
- (2)New type is in Fig.10 Ref.22

Fig.10. 7A F.I.PUMP & F.I.VALVE



(A)=L100N6NK0L9AASW
(B)=
(C)=

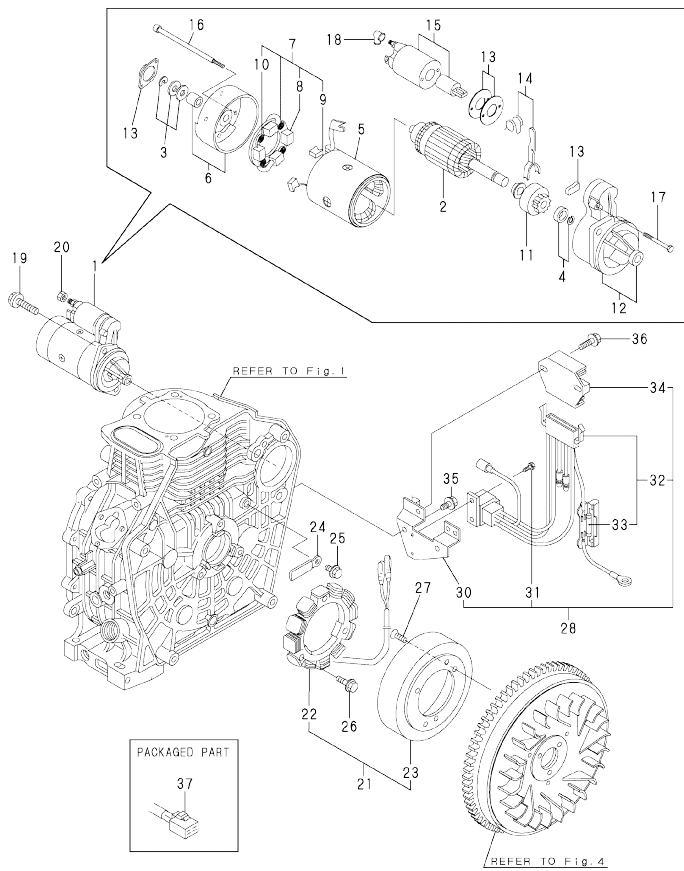
(D)=
(E)=
(F)=

No.	Lev.	Parts No.	Description	Q'ty						I	R		
				(A)	(B)	(C)	(D)	(E)	(F)				
1	1	714339-51200	F.I.PUMP ASSY	1							N	1	
		(A=EZZZZZ)											
2	2	105546-51020	GASKET	1									
3	2	114250-51080	PLATE	1									
4	2	114339-51100	BODY ASSY, PUMP	1									
10	4	22351-020006	PIN, SPRING 2.0X 6	2									
11	2	114250-51160	SPRING, PLUNGER	1									
12	2	114650-51300	VALVE ASSY, DELIVERY	1									
15	2	105546-51330	SPRING, DELIVERY	1									
16	2	114250-51340	HOLDER, DELIVERY	1									
17	2	124550-51350	GASKET, DELIVERY	2									
18	2	114250-51600	LEVER ASSY, CONTROL	1									
19	2	114250-51640	SEAT, SPRING A	1									
20	2	114250-51650	SEAT, SPRING B	1									
21	2	22351-030008	PIN, SPRING 3.0X 8	1									
22	1	714339-53200	VALVE ASSY, INJECTION	1								F	2
		(A=EZZZZZ)											
23	2	114250-53080	NUT, NOZZLE D16.95	1									
24	2	114339-53100	HOLDER ASSY, NOZZLE	1									
28	3	22351-025005	PIN, SPRING 2.5X 6	1									
29	2	114250-53120	SPRING, NOZZLE	1									
30	2	114250-53130	SEAT, SPRING	1									
31	2	114250-53140	PLATE	1									
32	2	114339-53200	VALVE ASSY, INJECTION	1									
35	2	114250-53210	PIN	2									
36	2	114250-53400	SHIM SET	1									

Remarks

- (1) Interchangeability with Fig.7 Ref.1
- (2) Fig.2 Ref.27-1, Fig.2 Ref.28-1, Fig.10 Ref.22, are interchangeable when replaced at the same time.

Fig.8. STARTING MOTOR & DYNAMO



(A)=L100N6EJ1C1EA
(B)=
(C)=

(D)=
(E)=
(F)=

No.	Lev.	Parts No.	Description	Q'ty						I	R
				(A)	(B)	(C)	(D)	(E)	(F)		
1	1	114362-77011	STARTER(HITACHI 12V	1							
2	2	114381-77110	ARMATURE	1							
3	2	X2114811000	WASHER KIT, THRUST	1							
4	2	X2114715500	STOPPER SET, PINION	1							
5	2	114381-77130	COIL ASSY, FIELD	1							
6	2	114381-77140	COVER, REAR	1							
7	2	114371-77160	HOLDER ASSY, BRUSH	1							
8	3	114371-79040	BRUSH (-)	2							
9	3	114371-79050	BRUSH (+)	1							
10	3	114371-79060	SPRING, BRUSH	4							
11	2	X211485016	PINION ASSY	1							
12	2	114381-77151	HOUSING ASSY, GEAR	1							
13	2	114371-77170	COVER KIT, DUST	1							
14	2	114371-77180	LEVER KIT, SHIFT	1							
15	2	124298-77020	SWITCH, MAGNETIC	1							
16	2	124195-77770	THROUGH BOLT	2							
17	2	114371-79070	BOLT M 6X 37	2							
18	2	X2114274200	COVER, TERMINAL	1							
19	1	26106-100302	BOLT, M10X 30 PLATED	2							
20	1	26716-080002	NUT, M8	1							
21	1	114399-78260	DYNAMO ASSY	1							
22	2	114399-78730	STATOR ASSY	1							
23	2	114399-78740	WHEEL, DYNAMO	1							
24	1	160710-78710	CLAMP, CORD	1							
25	1	26106-060122	BOLT, M6X 12 PLATED	1							
26	1	26106-060202	BOLT, M6X 20 PLATED	3							
27	1	26577-060142	SCREW M 6X 14	3							
28	1	114399-77550	REG. & HARNESS ASSY	1							
30	3	114399-77400	BRACKET, HARNESS	1							
31	3	26023-040102	SCREW, M4X10	2							
32	3	114399-77540	HARNESS, WIRE	1							
33	4	114399-78000	FUSE(20A	2							
34	2	114399-77710	REGULATOR	1							
35	1	26106-060122	BOLT, M6X 12 PLATED	2							
36	1	26106-060202	BOLT, M6X 20 PLATED	2							
37	1	114351-77520	COUPLER	1							

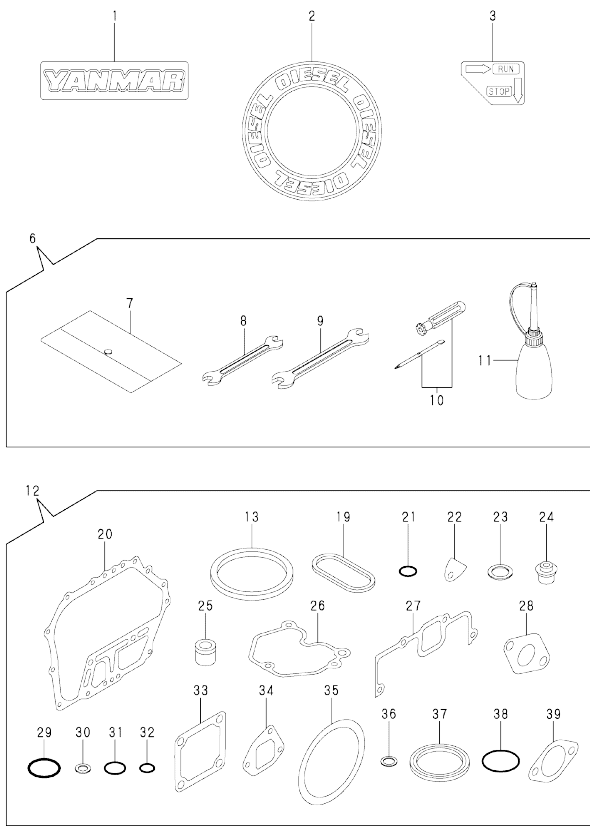
OCR10-M71600 L100N6EJ1C1EA

Fig.9. TOOL, LABEL & GASKET SET

OCR10-M71600 Fig.9

(A)=L100N6EJ1C1EA
(B)=
(C)=

(D)=
(E)=
(F)=



No.	Lev.	Parts No.	Description	Q'ty						I	R
				(A)	(B)	(C)	(D)	(E)	(F)		
1	1	114299-07110	LABEL, YANMAR	1							
2	1	114299-07160	LABEL, DIESEL	1							
3	1	183250-07480	LABEL, RUN-STOP	1							
6	1	114299-92590	BOX, TOOL	1							
7	2	114299-92600	BAG, TOOL	1							
8	2	114299-92710	WRENCH	1							
9	2	114299-92720	WRENCH	1							
10	2	114299-92730	DRIVER	1							
11	2	114299-92740	DIPSTICK	1							
12	1	114320-92600	GASKET SET	1							1
13	2	114695-01330	GASKET, HEAD	1							
19	2	114699-01380	O-RING	1							
20	2	114699-01410	GASKET, CRANK CASE	1							
21	2	114299-01950	O-RING, 18	2							
22	2	114250-01841	GASKET	1							
23	2	22190-160002	WASHER, SEAL 16	2							
24	2	114650-11340	SEAL, VALVE STEM	2							
25	2	114771-11461	GASKET, NOZZLE	1							
26	2	114310-11310	GASKET, BONNET	1							
27	2	114310-12210	GASKET, AIR CLEANER	1							
28	2	114310-13200	GASKET, MUFFLER	1							
29	2	114299-32570	O-RING	1							
30	2	23414-080000	GASKET, 8X1.0	1							
31	2	24341-000224	O-RING, 1AS22.4	1							
32	2	24341-000150	O-RING, 1AS15.0	2							
33	2	129100-77510	GASKET, AIR HEATER	3							
34	2	114699-12210	GASKET, AIR CLEANER	2							
35	2	114399-21980	GASKET	1							
36	2	23414-120000	GASKET, 12X1.0	1							
37	2	160393-55050	GASKET	4							
38	2	24311-000400	O-RING, 1AP40.0	1							
39	2	183671-13211	GASKET, PIPE	1							

Remarks
(1)OPTIONAL

N:Old $\frac{100}{100}$ New, Q:Old $\frac{100}{100}$ New, R:Old $\frac{100}{100}$ New, S:Old $\frac{100}{100}$ New, W:Add, Z:Discontinued, F:Interchangeable by set, K:Q'ty Change
Copyright (C) YANMAR CO., LTD. All Rights Reserved.

Parts No. Index

Parts No.	Fig. No.	Ref. No.	Parts No.	Fig. No.	Ref. No.	Parts No.	Fig. No.	Ref. No.	Parts No.	Fig. No.	Ref. No.
104211-11370	2	26	114299-07160	9	2	114310-11950	2	36	114399-77710	8	34
105546-51020	10	2	114299-11240	2	19	114310-12010	3	4	114399-78000	8	33
105546-51330	10	15			23	114310-12210	3	1	114399-78260	8	21
114210-03590	2	38	114299-12300	3	2		9	27	114399-78730	8	22
114210-07200	6	2	114299-32070	5	7	114310-12511	3	3	114399-78740	8	23
114210-11901	2	30	114299-32570	5	8	114310-13200	3	19	114650-02100	1	30
114210-12500	3	8		9	29		9	28	114650-02150	1	40
114210-12560	3	12	114299-35110	5	11	114310-14200	4	6	114650-02200	1	45
114210-12590	3	13	114299-35150	1	32	114310-14400	4	12	114650-02210	1	46
114210-12600	3	16	114299-45220	6	3	114310-45100	6	17	114650-11340	2	25
114210-12610	3	11		13		114310-45260	6	7		9	24
114210-14300	4	7	114299-45301	6	18	114310-45270	6	8	114650-32010	5	1
114210-53080	7	31	114299-45310	6	19	114310-45300	6	4	114650-51300	10	12
114210-53100	7	30	114299-45350	6	21	114310-45310	6	5	114695-01330	9	13
114210-53120	7	33	114299-51020	7	2	114310-45350	6	11	114695-01340	1	5
114210-53130	7	34	114299-51080	7	3	114310-45360	6	12	114699-01380	1	6
114210-53140	7	35	114299-51090	7	4	114310-59800	7	59		9	19
114210-53330	7	36	114299-51160	7	5	114311-61500	5	15	114699-01410	1	26
114210-53400	7	37	114299-51330	7	14	114320-11020	2	3		9	20
114210-61290	5	27	114299-51340	7	15	114320-13800	3	28	-1	1	35
114210-66300	5	37	114299-51350	7	16	114320-51200	7	6	114699-01760	1	35
114210-66350	5	41	114299-51600	7	17	114320-53000	7	29	114699-11600	2	29
114210-66510	5	36	114299-51620	7	18	114320-66010	5	47	114699-12210	9	34
114240-11450	2	27	-1	7	26	114320-66600	5	49	114699-13552	3	20
114240-11550	2	28	-1	7	27	114320-92600	9	12	114699-13562	3	21
114250-01841	1	20	114299-51640	7	27	114339-51100	10	4	114699-13700	3	22
	9	22	114299-61190	5	35	114339-51100	10	4	114699-13710	3	23
114250-51080	10	3	114299-61600	5	33	114339-53100	10	24	114699-13720	3	24
114250-51160	10	11	114299-66200	5	48	114339-53200	10	32	114699-13800	3	28
114250-51340	10	16	114299-92590	9	6	114351-77520	8	37	114699-21220	4	21
114250-51600	10	18	114299-92600	9	7	114362-77011	8	1	114699-21550	4	22
114250-51640	10	19	114299-92710	9	8	114371-77160	8	7	114699-21600	4	23
114250-51650	10	20	114299-92720	9	9	114371-77170	8	13	114699-21630	4	26
114250-53080	10	23	114299-92730	9	10	114371-77180	8	14	114699-22300	4	36
114250-53120	10	29	114299-92740	9	11	114371-79040	8	8	114699-45330	6	20
114250-53130	10	30	114310-01020	1	1	114371-79050	8	9	114699-51300	7	11
114250-53140	10	31	114310-01200	2	1	114371-79060	8	10	114699-59850	7	65
114250-53210	10	35	114310-01210	2	2	114371-79070	8	17	114699-76251	6	23
114250-53400	10	36	114310-01450	1	27	114381-77110	8	2	114699-76510	6	24
114295-11470	2	28	114310-11100	2	8	114381-77130	8	5	114699-76521	6	25
114295-61520	5	32	114310-11110	2	9	114381-77140	8	6	114699-76531	6	27
114299-01600	1	7	114310-11120	2	10	114381-77151	8	12	114699-76551	6	29
114299-01690	1	34	114310-11180	2	11	114399-21980	9	35	114699-76560	6	30
114299-01800	1	8	114310-11250	2	14	114399-45320	6	9	114699-76592	6	37
114299-01830	1	19	114310-11260	2	15	114399-45340	6	6	114699-76630	6	32
114299-01950	1	37	114310-11280	2	16		10		114699-76650	6	33
	9	21	114310-11310	2	35	114399-76540	6	28	114699-76660	6	34
114299-02030	1	39		9	26	114399-76620	6	31	114699-76670	6	35
114299-03640	2	41	114310-11650	2	17	114399-77400	8	30	114699-76680	6	36
114299-07110	9	1	114310-11660	2	21	114399-77540	8	32	114770-61610	5	34
			114310-11930	2	12	114399-77550	8	28	114771-11461	2	27

Parts No. Index

Parts No.	Fig. No.	Ref. No.
114771-11461	9	25
114780-61090	5	55
119810-23200	4	42
124060-23100	4	41
124195-77770	8	16
124298-77020	8	15
124550-51350	10	17
129100-77510	9	33
129792-22400	4	37
160393-55050	9	37
160710-78710	8	24
183250-07480	9	3
183250-66321	5	38
183250-66331	5	39
183250-66341	5	40
183250-66361	5	42
183250-66371	5	43
183671-13211	9	39
22190-160002	1	38
	9	23
22312-030160	2	43
	5	9
22312-040080	1	21
22322-030200	5	24
22351-020006	10	10
22351-025005	10	28
22351-030008	10	21
22351-040008	2	31
22451-060000	5	56
22512-050140	4	27
23414-080000	9	30
23414-120000	9	36
23875-020000	1	22
23876-010000	1	47
24101-063040	4	50
24162-152220	1	41
24311-000400	9	38
24341-000150	9	32
24341-000224	5	13
	9	31
24423-355008	1	42
		43
26023-040102	8	31
26106-060082	6	14
		38
26106-060122	5	10
	6	39
	8	25
		35
26106-060142	5	45

Parts No.	Fig. No.	Ref. No.
26106-060162	5	14
		44
26106-060202	5	46
	6	15
	8	26
		36
26106-060402	3	17
26106-060652	2	47
26106-080122	1	44
26106-080202	3	25
26106-080352	1	33
26106-080502	2	32
26106-100302	8	19
26216-080182	3	26
26226-060182	1	23
26226-060222	1	24
26226-060352	3	18
26226-060552	2	33
26366-060002	1	25
	2	34
	6	16
26366-080002	3	27
26577-060142	8	27
26716-080002	8	20
26776-100002	5	54
26856-060002	2	20
		24
714210-61701	5	26
714310-21710	4	13
714310-22500	4	30
714310-22540	4	53
714310-22550	4	59
714310-23701	4	38
714310-28510	4	45
714310-45100	6	1
714320-14580	4	1
714320-22580	4	57
714320-22620	4	51
714320-22720	4	28
714320-51100	7	1
714320-53100	7	28
714339-51200	10	1
714339-53200	10	22
714650-23600	4	43
714650-23610	4	63
714650-23620	4	65
X2114274200	8	18
X2114715500	8	4
X2114811000	8	3
X211485016	8	11

Parts No.	Fig. No.	Ref. No.
-----------	----------	----------

Parts No.	Fig. No.	Ref. No.
-----------	----------	----------