

0CW10-M69600EN

# P R E F A C E

1. This parts catalog is the 1st edition of L100N6CJ9T1CACR for CORMIDI.

Pub.No. : 0CW10-G69600

Published : January, 2011

2. Model name

Engine model	Vehicle	Vehicle made by
L100N6CJ9T1CACR	MINI DUMPER	CORMIDI

## Contents

0CW10-M69600

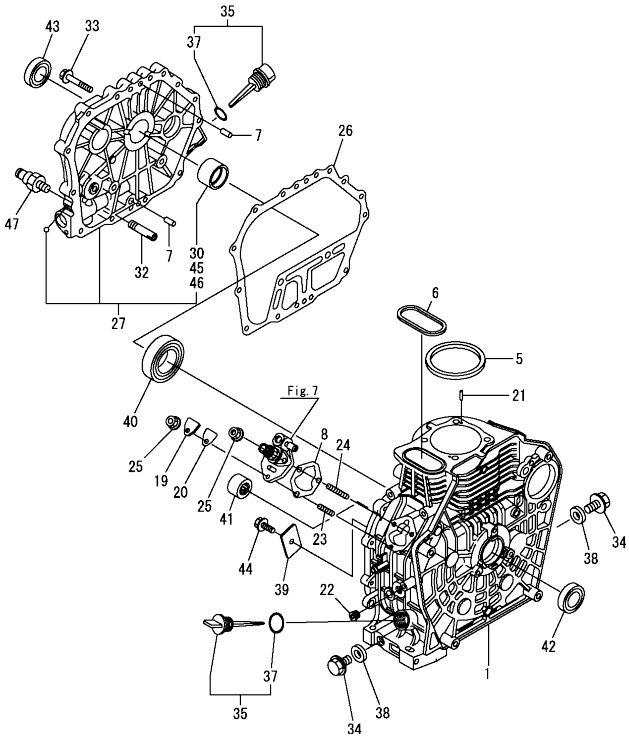
Fig. No.	Fig. Name	Fig. No.	Fig. Name
L100N6CJ9T1CACR			
1.	CYLINDER BLOCK		
2.	CYLINDER HEAD & BONNET		
3.	AIR CLEANER & MUFFLER		
4.	CRANKSHAFT, PISTON & CAMSHAFT		
5.	LUB.OIL PUMP & GOVERNOR		
6.	COOLING & STARTING DEVICE		
7.	F.I.PUMP & F.I.VALVE		
8.	FUEL TANK & FUEL PIPE		
9.	STARTING MOTOR & DYNAMO		
10.	TOOL, LABEL & GASKET SET		

0CW10-M69600 L100N6CJ9T1CACR  
 Fig.1. CYLINDER BLOCK

0CW10-M69600 Fig.1

(A)=L100N6CJ9T1CACR  
 (B)=  
 (C)=

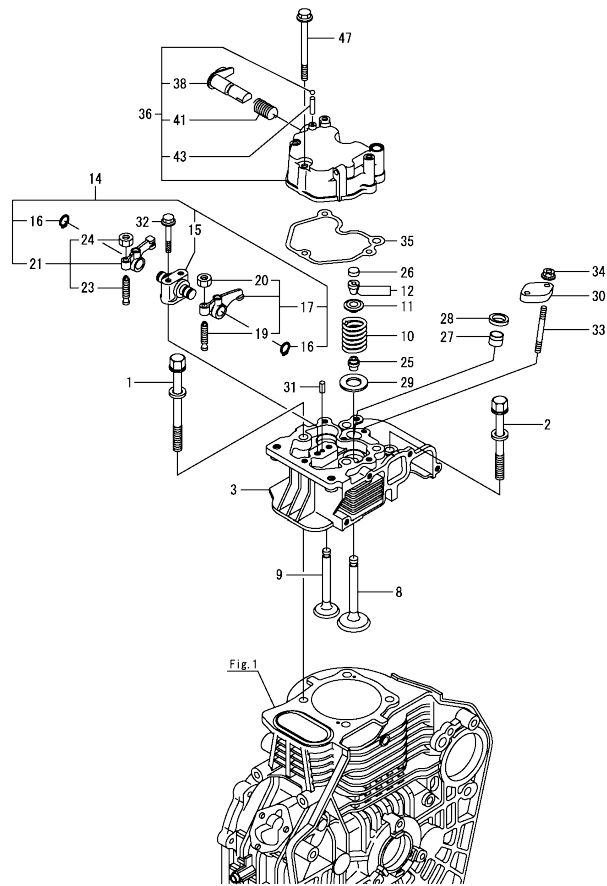
(D)=  
 (E)=  
 (F)=



No.	Lev.	Parts No.	Description	Q'ty						I	R
				(A)	(B)	(C)	(D)	(E)	(F)		
1	1	114310-01020	BLOCK ASSY, CYLINDER	1							
5	1	114695-01341	GASKET, HEAD 0.5	1							
6	1	114699-01380	O-RING	1							
7	1	114299-01600	PIN, 8X12	2							
8	1	114299-01800	SHIM SET	1							
19	1	114299-01830	COVER	1							
20	1	114250-01841	GASKET	1							
21	1	22312-040080	PIN, PARALLEL M4X 8	2							
22	1	23875-020000	PLUG, R02	1							
23	1	26226-060182	STUD, M6X 18	1							
24	1	26226-060222	STUD, M6X 22	2							
25	1	26366-060002	NUT, M6	3							
26	1	114699-01410	GASKET, CRANK CASE	1							
27	1	114310-01450	COVER(D, CRANK CASE	1							
30	2	114650-02100	BEARING, MAIN	1							1
32	1	114299-35150	PIPE, OIL INLET	1							
33	1	26106-080352	BOLT, M8X 35 PLATED	16							
34	1	114299-01690	PLUG, DRAIN 16	2							
35	1	114699-01760	CAP ASSY	2							
37	2	114299-01950	O-RING, 18	2							
38	1	22190-160002	WASHER, SEAL 16	2							
39	1	114299-02030	RETAINER, BEARING	1							
40	1	114650-02150	BEARING, HR6308G3C3	1							
41	1	24162-152220	BEARING, 152220	1							
42	1	24423-355008	SEAL, OIL TC355008	1							
43	1	24423-355008	SEAL, OIL TC355008	1							
44	1	26106-080122	BOLT, M8X 12 PLATED	1							
45	1	114650-02200	BEARING, 0.25 US	1							2
46	1	114650-02210	BEARING, 0.50 US	1							3
47	1	183250-39450	SWITCH, 1.0KG	1							

Remarks  
 (1) Spare part.  
 (2) Under-sized (U.S.=0.25) part.  
 (3) Over-sized (O.S.=0.25) part.

Fig.2. CYLINDER HEAD & BONNET



(A)=L100N6CJ9T1CACR  
(B)=  
(C)=

(D)=  
(E)=  
(F)=

No.	Lev.	Parts No.	Description	Q'ty						I	R
				(A)	(B)	(C)	(D)	(E)	(F)		
1	1	114310-01200	BOLT, CYL HEAD A	2							
2	1	114310-01210	BOLT, CYL HEAD B	2							
3	1	114320-11020	HEAD ASSY, CYLINDER	1							
8	1	11431C-11100	VALVE, INTAKE	1							
9	1	11431C-11110	VALVE, EXHAUST	1							
10	1	114310-11120	SPRING, VALVE	2							
11	1	114310-11180	RETAINER, SPRING	2							
12	1	114310-11930	COTTER ASSY	2							
14	1	11431C-11250	SUPPORT ASSY, ARM	1							
15	2	11431C-11260	SUPPORT, ROCKER ARM	1							
16	2	22242-000150	RING, 15	2							
17	2	11431C-11650	ARM, ROCKER	1							
19	3	114250-11240	SCREW, VALVE ADJUST	1							
20	3	26856-060002	NUT, M6	1							
21	2	11431C-11660	ARM, ROCKER	1							
23	3	114250-11240	SCREW, VALVE ADJUST	1							
24	3	26856-060002	NUT, M6	1							
25	1	114650-11340	SEAL, VALVE STEM	2							
26	1	104211-11370	CAP, VALVE	2							
27	1	114240-11450	PROTECTOR, NOZZLE	1							
28	1	114240-11550	SEAT, NOZZLE	1							
29	1	114699-11600	WASHER	2							
30	1	114210-11901	RETAINER, NOZZLE	1							
31	1	22351-040008	PIN, SPRING 4.0X 8	1							
32	1	114310-11290	BOLT, SUPPORT	2							
33	1	26226-060552	STUD, M6X 55	2							
34	1	26366-060002	NUT, M6	2							
35	1	114310-11310	GASKET, BONNET	1							
36	1	114310-11950	BONNET ASSY, HEAD	1							
38	2	114210-03590	SHAFT ASSY, DECOMP.	1							
41	2	114299-03640	SPRING, DECOMPRESSION	1							
43	2	22312-030160	PIN, PARALLEL M3X16	1							
47	1	26106-060652	BOLT, M6X 65 PLATED	3							

Fig.3. AIR CLEANER & MUFFLER

(A)=L100N6CJ9T1CACR  
(B)=  
(C)=

(D)=  
(E)=  
(F)=

No.	Lev.	Parts No.	Description	Q'ty						I	R
				(A)	(B)	(C)	(D)	(E)	(F)		
1	1	114310-12210	GASKET, AIR CLEANER	1							
2	1	114299-12300	NUT	2							
3	1	114310-12050	MANIFOLD, INTAKE	1							
4	1	114699-12210	GASKET, AIR CLEANER	1							
5	1	114299-12300	NUT	3							
6	1	26226-060162	STUD, M6X 16	2							
7	1	114310-45360	STUD BOLT, TOP COVER	1							
8	1	26106-060402	BOLT, M6X 40 PLATED	1							
9	1	26226-060352	STUD, M6X 35	2							
10	1	114310-13200	GASKET, MUFFLER	1							
11	1	11431C-13550	MUFFLER ASSY	1							
12	2	11431C-13560	MUFFLER	1							
13	2	11431C-13700	COVER	1							
14	2	11431C-13710	COVER	2							
15	2	11431C-13720	BOLT, M6	10							
16	1	26106-080202	BOLT, M8X 20 PLATED	2							
17	1	26216-080182	STUD, M8X 18	2							
18	1	26366-080002	NUT, M8	2							
19	1	114699-13800	PIPE	1							
19-1	1	114320-13800	DEFLECTOR ASSY, EXH	1							N
(A=ES18156)											
20	1	114699-12210	GASKET, AIR CLEANER	1							
21	1	114652-12220	SPACER	1							
22	1	114652-12230	SPACER	1							
23	1	129100-77501	HEATER	1							
24	1	129100-77510	GASKET	2							
25	1	26106-080402	BOLT, M8X 40 PLATED	4							
26	1	26226-060142	STUD, M6X 14	3							
27	1	26366-060002	NUT, M6	3							

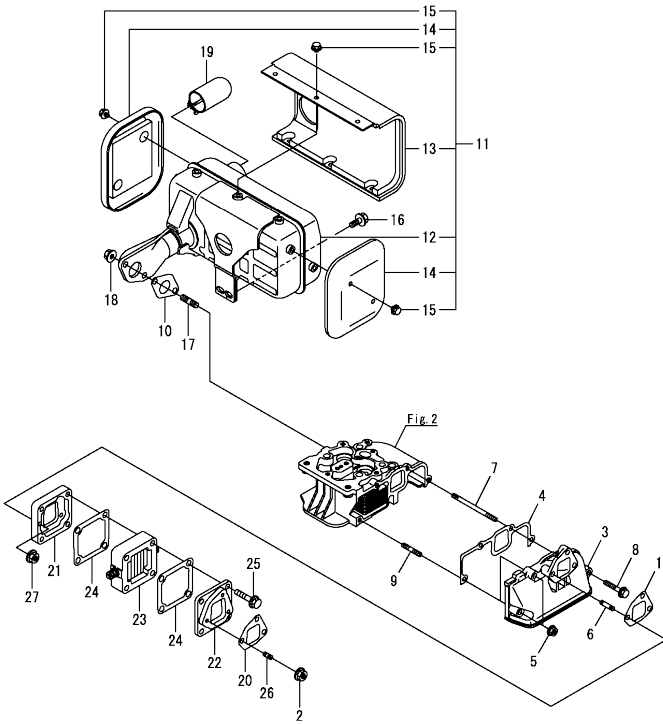
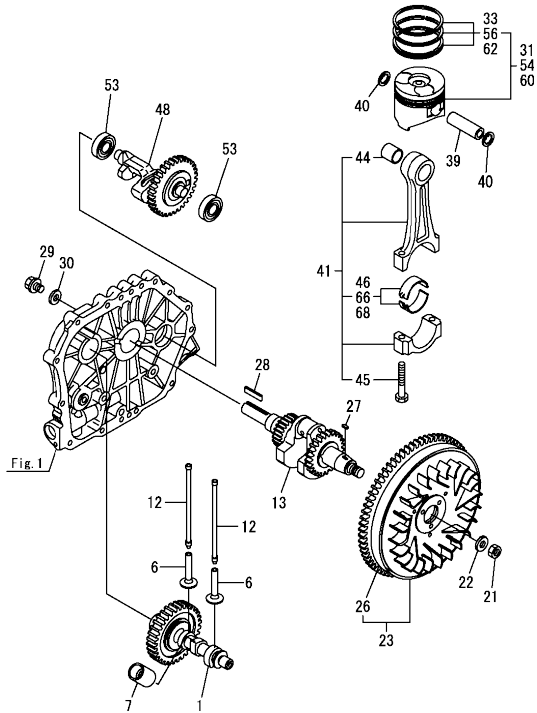


Fig.4. CRANKSHAFT, PISTON & CAMSHAFT



(A)=L100N6CJ9T1CACR  
(B)=  
(C)=

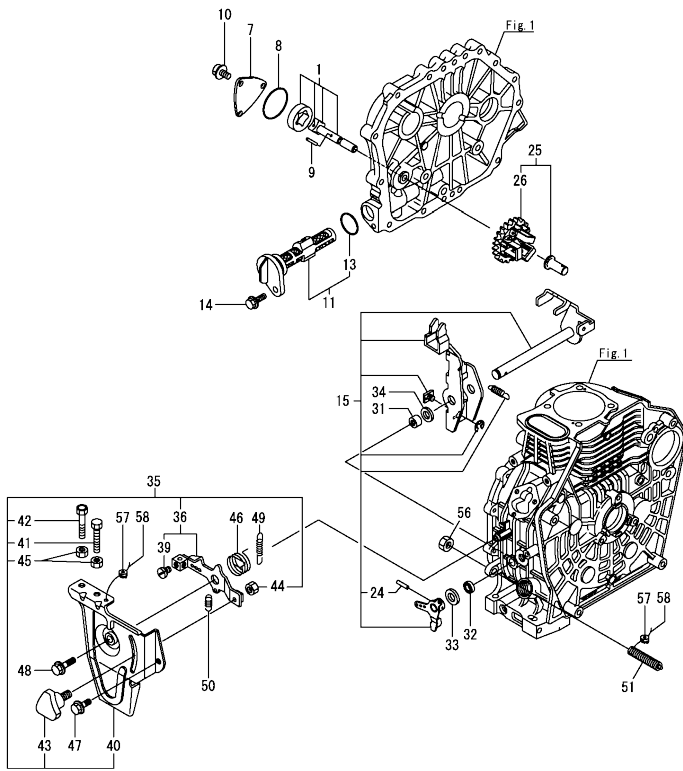
(D)=  
(E)=  
(F)=

No.	Lev.	Parts No.	Description	Q'ty						I	R
				(A)	(B)	(C)	(D)	(E)	(F)		
1	1	71432C-14010	CAMSHAFT ASSY	1							
6	1	114310-14200	TAPPET	2							
7	1	114210-14300	TAPPET ASSY, ROLLER	1							
12	1	114310-14400	ROD ASSY, PUSH	2							
13	1	11431C-21730	CRANKSHAFT ASSY, E-D	1							
21	1	114699-21220	NUT	1							
22	1	114699-21550	WASHER	1							
23	1	114699-21600	FLYWHEEL ASSY, DE	1							
26	2	114699-21630	GEAR, RING	1							
27	1	22512-050140	KEY, 5X 14	1							
28	1	160842-21150	KEY, 6.3X50	1							
29	1	160842-21250	BOLT, 7/16-20UNF	1							
30	1	160842-21260	WASHER	1							
31	1	714320-22720	PISTON W/RINGS (D)	1							
33	2	714310-22500	RING SET, PISTON	1							
39	1	114699-22300	PIN, PISTON D=23	1							
40	1	114310-22500	SEEGER RING, J23	2							
41	1	71431C-23010	ROD ASSY, CONNECTING	1							
44	3	124060-23100	BEARING, PISTON PIN	1							
45	3	119810-23200	BOLT, CONNECTING ROD	2							
46	2	714650-23600	BEARING, CRANK PIN	1							
48	1	714310-28510	SHAFT ASSY, BALANCER	1							
53	1	24101-063040	BEARING, BALL 6304C3	2							
54	1	714320-22620	PISTON W/RING 25OS	1							1
56	2	714310-22540	RING SET O.S.=0.25	1							1
60	1	714320-22580	PISTON W/RING .50OS	1							2
62	2	714310-22550	RING SET O.S.=0.50	1							2
66	1	714650-23610	BEARING ASSY, 0.25	1							3
68	1	714650-23620	BEARING, 0.50 US	1							4

Remarks

- (1)Over sized(U.S.=0.25)parts.
- (2)Over sized(U.S.=0.50)parts.
- (3)Under sized(U.S.=0.25)parts.
- (4)Under sized(U.S.=0.50)parts.

Fig.5. LUB.OIL PUMP & GOVERNOR



(A)=L100N6CJ9T1CACR  
(B)=  
(C)=

(D)=  
(E)=  
(F)=

No.	Lev.	Parts No.	Description	Q'ty						I	R
				(A)	(B)	(C)	(D)	(E)	(F)		
1	1	114650-32010	PUMP ASSY, OIL	1							
7	1	114299-32070	COVER	1							
8	1	114299-32570	O-RING	1							
9	1	22312-030160	PIN, PARALLEL M3X16	1							
10	1	26106-060122	BOLT, M6X 12 PLATED	3							
11	1	114299-35110	FILTER ASSY, OIL	1							
13	2	24341-000224	O-RING, 1AS22.4	1							
14	1	26106-060162	BOLT, M6X 16 PLATED	1							
15	1	114311-61500	LEVER ASSY, GOVERNOR	1							1
24	2	22322-030200	PIN, TAPER 3X20	1							
25	1	714210-61701	GOVERNOR ASSY	1							
26	2	114210-61290	WEIGHT ASSY, GOVERNOR	1							
31	1	114770-61520	BEARING, NEEDLE	2							
32	1	114299-61600	SEAL, OIL	1							
33	1	114770-61610	WASHER, THRUST	1							
34	1	114299-61190	WASHER	1							
35	1	714210-66100	SPEED CTRL, THAI	1							
36	2	114210-66060	HANDLE ASSY, REGULATOR	1							
39	3	26117-050089	BOLT, M5X 8 PLATED	1							
40	2	114210-66100	BRACKET, REGULATOR	1							
41	2	114299-66440	BOLT, ADJUSTING	1							
42	2	114299-67080	BOLT, ADJUSTING	1							
43	2	160725-78350	KNOB	1							
44	2	26347-060002	NUT, M6	1							
45	2	26757-060002	NUT, LOCK M6	2							
46	1	114299-66250	SPRING, RETURN	1							
47	1	26106-060142	BOLT, M6X 14 PLATED	1							
48	1	26106-060202	BOLT, M6X 20 PLATED	1							
49	1	114320-66010	SPRING, REGULATOR	1							
50	1	114299-66200	SPRING, RETURN	1							
51	1	114320-66600	LIMITER ASSY, FUEL	1							
56	1	26776-100002	NUT, LOCK M10	1							
57	1	114780-61090	TIN	2							
58	1	22451-060000	WIRE, 0.6	2							

Remarks

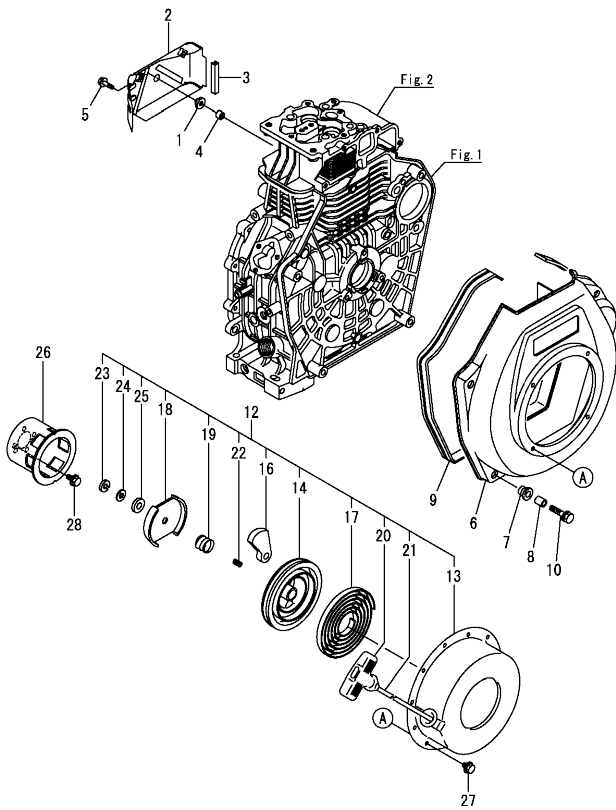
(1) On a guarantee of quality component part shall not be sold.



Fig.6. COOLING & STARTING DEVICE

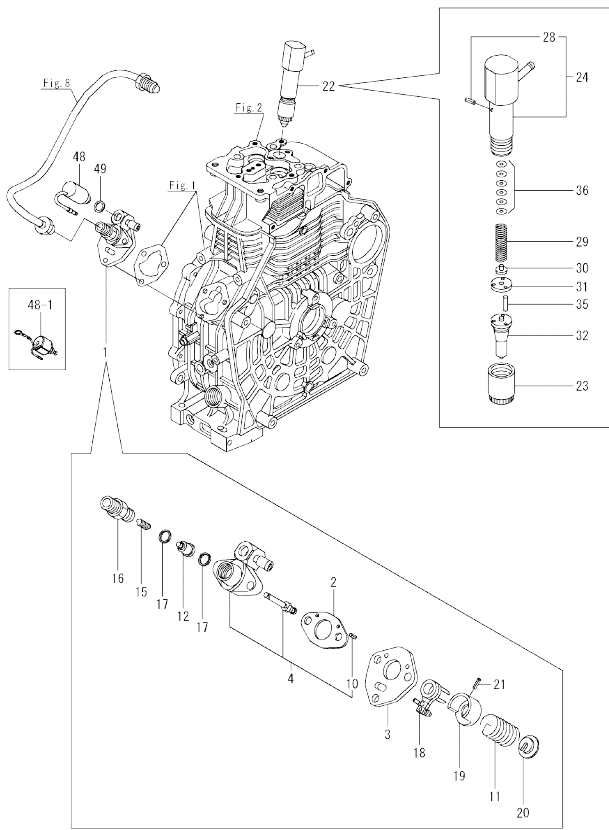
(A)=L100N6CJ9T1CACR  
(B)=  
(C)=

(D)=  
(E)=  
(F)=



No.	Lev.	Parts No.	Description	Q'ty						I	R
				(A)	(B)	(C)	(D)	(E)	(F)		
1	1	114299-45220	GROMMET	1							
2	1	11431C-45260	COVER	1							
3	1	114399-45320	RUBBER, SEAL	1							
4	1	114399-45340	COLLAR	1							
5	1	26106-060202	BOLT, M6X 20 PLATED	1							
6	1	11431C-45100	CASE, COOLING FAN	1							
7	1	114299-45301	RUBBER, CUSHION	4							
8	1	114299-45310	COLLAR	4							
9	1	114699-45331	SEAL, FAN CASE	1							
10	1	114299-45350	BOLT, FAN CASE	4							
12	1	114699-76251	STARTER ASSY, RECOIL	1							
13	2	114699-76510	CASE, STARTER	1							
14	2	114699-76521	REEL, RECOIL	1							
16	2	114699-76531	RATCHET	2							
17	2	114399-76540	SPRING, SPIRAL	1							
18	2	114699-76551	GUIDE, RATCHET	1							
19	2	114699-76560	SPRING, FRICTION	1							
20	2	114399-76620	KNOB, STARTER	1							
21	2	114699-76630	ROPE, STARTER	1							
22	2	114699-76650	SPRING, RETURN	1							
23	2	114699-76660	CIRCLIP	1							
24	2	114699-76670	WASHER	1							
25	2	114699-76680	WASHER	1							
26	1	114699-76592	PULLEY, STARTER	1							
27	1	26106-060082	BOLT, M6X 8 PLATED	4							
28	1	26106-060122	BOLT, M6X 12 PLATED	3							

Fig.7. F.I.PUMP & F.I.VALVE



(A)=L100N6CJ9T1CACR  
(B)=  
(C)=

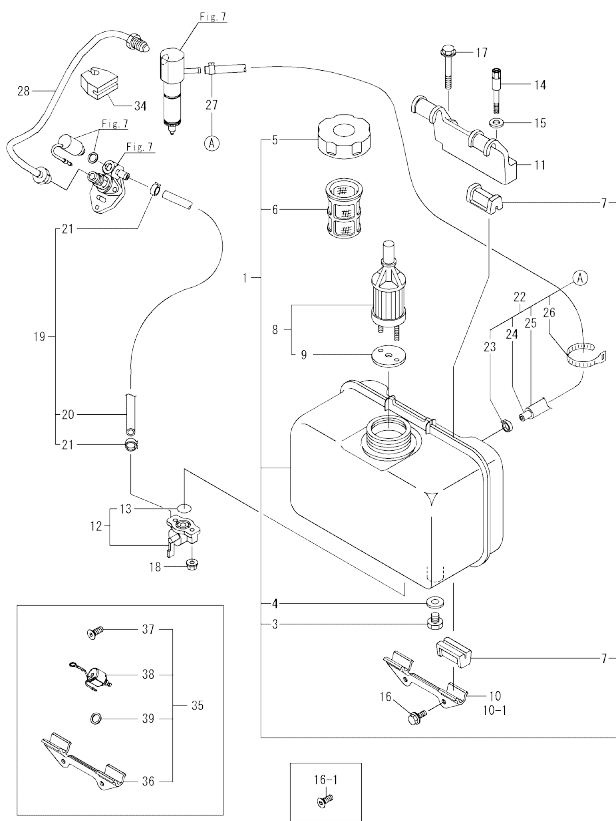
(D)=  
(E)=  
(F)=

No.	Lev.	Parts No.	Description	Q'ty						I	R
				(A)	(B)	(C)	(D)	(E)	(F)		
1	1	714339-51300	F.I.PUMP ASSY	1							
2	2	105546-51020	GASKET	1							
3	2	114250-51080	PLATE	1							
4	2	114339-51200	BODY ASSY, PUMP	1							
10	4	22351-020006	PIN, SPRING 2.0X 6	2							
11	2	114250-51160	SPRING, PLUNGER	1							
12	2	114650-51300	VALVE ASSY, DELIVERY	1							
15	2	105546-51330	SPRING, DELIVERY	1							
16	2	114250-51340	HOLDER, DELIVERY	1							
17	2	124550-51350	GASKET, DELIVERY	2							
18	2	114250-51600	LEVER ASSY, CONTROL	1							
19	2	114250-51640	SEAT, SPRING A	1							
20	2	114250-51650	SEAT, SPRING B	1							
21	2	22351-030008	PIN, SPRING 3.0X 8	1							
22	1	714339-53200	VALVE ASSY, INJECTION	1							
23	2	114250-53080	NUT, NOZZLE D16.95	1							
24	2	114339-53100	HOLDER ASSY, NOZZLE	1							
28	3	22351-025005	PIN, SPRING 2.5X 6	1							
29	2	114250-53120	SPRING, NOZZLE	1							
30	2	114250-53130	SEAT, SPRING	1							
31	2	114250-53140	PLATE	1							
32	2	114339-53200	VALVE ASSY, INJECTION	1							
35	2	114250-53210	PIN	2							
36	2	114250-53400	SHIM SET	1							
48	1	114110-76901	VALVE ASSY, F/O CUT	1							
48-1	1	114110-76910 (A=ES81541)	VALVE ASSY, F/O CUT	1							F 1
49	1	114299-83020	GASKET, 9.7X1.2	1							

Remarks

(1)Fig.8 No.10-1 & 16-1 interchangeable by set.

Fig.8. FUEL TANK & FUEL PIPE



(A)=L100N6CJ9T1CACR  
(B)=  
(C)=

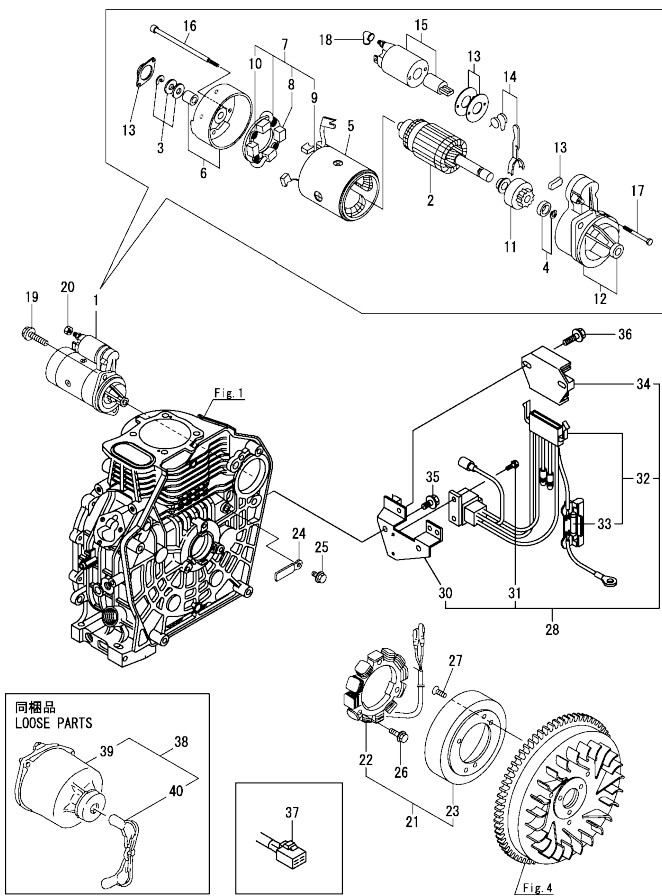
(D)=  
(E)=  
(F)=

No.	Lev.	Parts No.	Description	Q'ty						I	R
				(A)	(B)	(C)	(D)	(E)	(F)		
1	1	11431C-55710-1	TANK ASSY, FUEL OIL	1							
3	3	114299-55080	PLUG, DRAIN	1							
4	3	23414-080000	GASKET, 8X1.0	1							
5	2	114299-55040	CAP ASSY, FUEL TANK	1							
6	2	114299-55100	ELEMENT, FUEL FILTER	1							
7	2	114250-55201	DAMPER, FUEL TANK	4							
8	1	114250-55121	FILTER ASSY, FUEL	1							
9	2	114250-55130	GASKET	1							
10	1	114210-55210	STAY, FUEL TANK A	1							
10-1	1	114210-55220	STAY, FUEL TANK A	1						F	1
(A=ES81541)											
11	1	114310-55230	STAY, FUEL TANK B	1							
12	1	114250-55301	COCK ASSY, FUEL	1							
13	2	24341-000150	O-RING, 1AS15.0	1							
14	1	114210-55810	BOLT, LIFTING	1							
15	1	22117-080000	WASHER, 8	1							
16	1	26106-060162	BOLT, M6X 16 PLATED	2							
16-1	1	114210-55300	BOLT	2						F	1
(A=ES81541)											
17	1	26106-080452	BOLT, M8X 45 PLATED	1							
18	1	26366-060002	NUT, M6	2							
19	1	114780-59010	PIPE ASSY, FUEL L50	1							
20	2	114780-59060	PIPE, FUEL L=50	1							
21	2	23080-014000	CLAMP, 14	2							
22	1	114339-59300	PIPE ASSY, RETURN	1							
22-1	1	114339-59301	PIPE ASSY, FO RETURN	1							N
(A=2019.03)											
23	2	124722-59050	CLAMP, HOSE 9	1							
24	2	114310-59060	PIPE, FUEL RETURN	1							
24-1	2	114310-59061	PIPE, FO RETURN	1							N
(A=2019.03)											
25	2	114310-59310	HOSE, PROTECTION	1							
26	2	121750-59890	BAND, NYLON	1							
27	2	124066-59100	CLAMP, HOSE 8	1							
28	1	114310-59800	PIPE ASSY, INJECTION	1							
34	1	114699-59850	SUPPORT, PIPE	1							
35	1	114210-95900	SPARE KIT, FUEL VALVE	1							W 2
(A=ES81541)											
36	2	114210-55220	STAY, FUEL TANK A	1							W
(A=ES81541)											
37	2	114210-55300	BOLT	2							W
(A=ES81541)											
38	2	114110-76910	VALVE ASSY, FUEL CUT	1							W
(A=ES81541)											
39	2	114299-83020	GASKET, 10X1.2	1							W
(A=ES81541)											

Remarks

- (1)Ref.No.10-1,16-1 & Fig7 No.48-1 interchangeable by set.
- (2)These parts are sold as a set with Ref.No.35.

Fig.9. STARTING MOTOR & DYNAMO



(A)=L100N6CJ9T1CACR  
(B)=  
(C)=

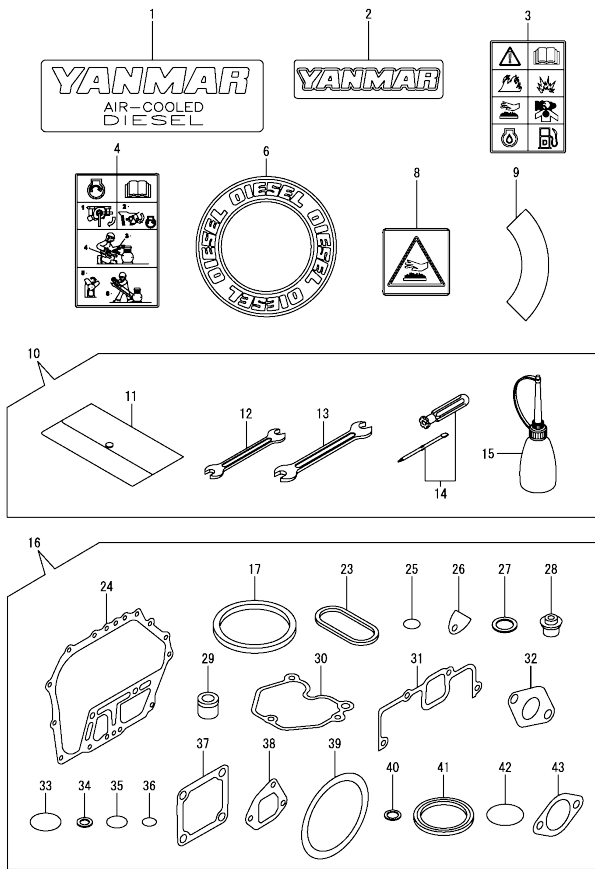
(D)=  
(E)=  
(F)=

No.	Lev.	Parts No.	Description	Qty						I	R
				(A)	(B)	(C)	(D)	(E)	(F)		
1	1	114362-77011	MOTOR ASSY, STARTER	1							
2	2	114381-77110	ARMATURE	1							
3	2	X2114811000	WASHER KIT, THRUST	1							
4	2	X2114715500	STOPPER SET, PINION	1							
5	2	114381-77130	COIL ASSY, FIELD	1							
6	2	114381-77140	COVER, REAR	1							
7	2	114371-77160	HOLDER ASSY, BRUSH	1							
8	3	114371-79040	BRUSH (-)	2							
9	3	114371-79050	BRUSH (+)	1							
10	3	114371-79060	SPRING, BRUSH	4							
11	2	X211485016	PINION ASSY	1							
12	2	114381-77151	HOUSING ASSY, GEAR	1							
13	2	114371-77170	COVER KIT, DUST	1							
14	2	114371-77180	LEVER KIT, SHIFT	1							
15	2	124298-77020	SWITCH, MAGNETIC	1							
16	2	124195-77770	THROUGH BOLT	2							
17	2	114371-79070	BOLT M 6X 37	2							
18	2	X2114274200	COVER, TERMINAL	1							
19	1	26106-100302	BOLT, M10X 30 PLATED	2							
20	1	26716-080002	NUT, M8	1							
21	1	114399-78260	DYNAMO ASSY	1							
22	2	114399-78730	STATOR ASSY	1							
23	2	114399-78740	WHEEL, DYNAMO	1							
24	1	160710-78710	CLAMP, CORD	1							
25	1	26106-060122	BOLT, M6X 12 PLATED	1							
26	1	26106-060202	BOLT, M6X 20 PLATED	3							
27	1	26577-060142	SCREW, 6 X 14	3							
28	1	114399-77550	REG. & HARNESS ASSY	1							
30	3	114399-77400	BRACKET, HARNESS	1							
31	3	26023-040102	SCREW, M4X10	2							
32	3	114399-77540	HARNESS, WIRE	1							
33	4	114399-78000	FUSE(20A)	1							
34	2	114399-77710	REGULATOR	1							
35	1	26106-060122	BOLT, M6X 12 PLATED	2							
36	1	26106-060202	BOLT, M6X 20 PLATED	2							
37	1	114351-77520	COUPLER	1							
38	1	129115-91250	SWITCH ASSY	1							
39	2	129115-91260	BODY, SWITCH	1							
40	2	129115-91270	KEY ASSY	1							

Fig.10. TOOL, LABEL & GASKET SET

(A)=L100N6CJ9T1CACR  
(B)=  
(C)=

(D)=  
(E)=  
(F)=



No.	Lev.	Parts No.	Description	Q'ty						I	R
				(A)	(B)	(C)	(D)	(E)	(F)		
1	1	114299-07100	LABEL, YANMAR MARK A	1							
2	1	114299-07110	LABEL, YANMAR MARK B	1							
3	1	114220-07100	LABEL, CAUTION	1							
4	1	114220-07110	LABEL HOW TO START-E	1							
6	1	114299-07160	LABEL, DIESEL	1							
8	1	114220-07130	LABEL, HOT SURFACE	1							
9	1	114220-07160	LABEL, THAI	1							
10	2	114299-92590	BOX, TOOL	1							
11	2	114299-92600	BAG, TOOL	1							
12	2	114299-92710	WRENCH	1							
13	2	114299-92720	WRENCH	1							
14	2	114299-92730	DRIVER, SCREW	1							
15	1	114299-92740	DIPSTICK	1							
16	2	114320-92600	GASKET SET	1							1
17	3	114695-01330	GASKET, HEAD	1							
23	2	114699-01380	O-RING	1							
24	2	114699-01410	GASKET, CRANK CASE	1							
25	2	114299-01950	O-RING, 18	2							
26	2	114250-01841	GASKET	1							
27	2	22190-160002	WASHER, SEAL 16	2							
28	2	114650-11340	SEAL, VALVE STEM	2							
29	2	114771-11461	GASKET, NOZZLE	1							
30	2	114310-11310	GASKET, BONNET	1							
31	2	114310-12210	GASKET, AIR CLEANER	1							
32	2	114310-13200	GASKET, MUFFLER	1							
33	2	114299-32570	O-RING	1							
34	2	23414-080000	GASKET, 8X1.0	1							
35	2	24341-000224	O-RING, 1AS22.4	1							
36	2	24341-000150	O-RING, 1AS15.0	2							
37	2	129100-77510	GASKET, AIR HEATER	3							
38	2	114699-12210	GASKET, AIR CLEANER	2							
39	2	114399-21980	GASKET	1							
40	2	23414-120000	GASKET, 12X1.0	1							
41	2	160393-55050	GASKET	4							
42	2	24311-000400	O-RING, 1AP40.0	1							
43	2	183671-13211	GASKET, PIPE	1							

Remarks

(1)Optional parts.

## Parts No. Index

Parts No.	Fig. No.	Ref. No.
104211-11370	2	26
105546-51020	7	2
105546-51330	7	15
114110-76901	7	48
114110-76910	7	48 -1
	8	38
114210-03590	2	38
114210-11901	2	30
114210-14300	4	7
114210-55210	8	10
114210-55220	8	10 -1
	36	-1
114210-55300	8	16 -1
	37	
114210-55810	8	14
114210-61290	5	26
114210-66060	5	36
114210-66100	5	40
114210-95900	8	35
114220-07100	10	3
114220-07110	10	4
114220-07130	10	8
114220-07160	10	9
114240-11450	2	27
114240-11550	2	28
114250-01841	1	20
	10	26
114250-11240	2	19
	23	
114250-51080	7	3
114250-51160	7	11
114250-51340	7	16
114250-51600	7	18
114250-51640	7	19
114250-51650	7	20
114250-53080	7	23
114250-53120	7	29
114250-53130	7	30
114250-53140	7	31
114250-53210	7	35
114250-53400	7	36
114250-55121	8	8
114250-55130	8	9
114250-55201	8	7
114250-55301	8	12
114299-01600	1	7
114299-01690	1	34
114299-01800	1	8
114299-01830	1	19
114299-01950	1	37

Parts No.	Fig. No.	Ref. No.
114299-01950	10	25
114299-02030	1	39
114299-03640	2	41
114299-07100	10	1
114299-07110	10	2
114299-07160	10	6
114299-12300	3	2
	5	5
114299-32070	5	7
114299-32570	5	8
	10	33
114299-35110	5	11
114299-35150	1	32
114299-45220	6	1
114299-45301	6	7
114299-45310	6	8
114299-45350	6	10
114299-55040	8	5
114299-55080	8	3
114299-55100	8	6
114299-61190	5	34
114299-61600	5	32
114299-66200	5	50
114299-66250	5	46
114299-66440	5	41
114299-67080	5	42
114299-83020	7	49
	8	39
114299-92590	10	10
114299-92600	10	11
114299-92710	10	12
114299-92720	10	13
114299-92730	10	14
114299-92740	10	15
114310-01020	1	1
114310-01200	2	1
114310-01210	2	2
114310-01450	1	27
114310-11120	2	10
114310-11180	2	11
114310-11290	2	32
114310-11310	2	35
	10	30
114310-11930	2	12
114310-11950	2	36
114310-12050	3	3
114310-12210	3	1
	10	31
114310-13200	3	10
	10	32

Parts No.	Fig. No.	Ref. No.
114310-14200	4	6
114310-14400	4	12
114310-22500	4	40
114310-45360	3	7
114310-55230	8	11
114310-59060	8	24
114310-59061	8	24 -1
114310-59310	8	25
114310-59800	8	28
114311-61500	5	15
11431C-11100	2	8
11431C-11110	2	9
11431C-11250	2	14
11431C-11260	2	15
11431C-11650	2	17
11431C-11660	2	21
11431C-13550	3	11
11431C-13560	3	12
11431C-13700	3	13
11431C-13710	3	14
11431C-13720	3	15
11431C-21730	4	13
11431C-45100	6	6
11431C-45260	6	2
11431C-55710-1	8	1
114320-11020	2	3
114320-13800	3	19 -1
114320-66010	5	49
114320-66600	5	51
114320-92600	10	16
114339-51200	7	4
114339-53100	7	24
114339-53200	7	32
114339-59300	8	22
114339-59301	8	22 -1
114351-77520	9	37
114362-77011	9	1
114371-77160	9	7
114371-77170	9	13
114371-77180	9	14
114371-79040	9	8
114371-79050	9	9
114371-79060	9	10
114371-79070	9	17
114381-77110	9	2
114381-77130	9	5
114381-77140	9	6
114381-77151	9	12
114399-21980	10	39
114399-45320	6	3

Parts No.	Fig. No.	Ref. No.
114399-45340	6	4
114399-76540	6	17
114399-76620	6	20
114399-77400	9	30
114399-77540	9	32
114399-77550	9	28
114399-77710	9	34
114399-78000	9	33
114399-78260	9	21
114399-78730	9	22
114399-78740	9	23
114650-02100	1	30
114650-02150	1	40
114650-02200	1	45
114650-02210	1	46
114650-11340	2	25
	10	28
114650-32010	5	1
114650-51300	7	12
114652-12220	3	21
114652-12230	3	22
114695-01330	10	17
114695-01341	1	5
114699-01380	1	6
	10	23
114699-01410	1	26
	10	24
114699-01760	1	35
114699-11600	2	29
114699-12210	3	4
		20
	10	38
114699-13800	3	19
114699-21220	4	21
114699-21550	4	22
114699-21600	4	23
114699-21630	4	26
114699-22300	4	39
114699-45331	6	9
114699-59850	8	34
114699-76251	6	12
114699-76510	6	13
114699-76521	6	14
114699-76531	6	16
114699-76551	6	18
114699-76560	6	19
114699-76592	6	26
114699-76630	6	21
114699-76650	6	22
114699-76660	6	23

## Parts No. Index

Parts No.	Fig. No.	Ref. No.
114699-76670	6	24
114699-76680	6	25
114770-61520	5	31
114770-61610	5	33
114771-11461	10	29
114780-59010	8	19
114780-59060	8	20
114780-61090	5	57
119810-23200	4	45
121750-59890	8	26
124060-23100	4	44
124066-59100	8	27
124195-77770	9	16
124298-77020	9	15
124550-51350	7	17
124722-59050	8	23
129100-77501	3	23
129100-77510	3	24
	10	37
129115-91250	9	38
129115-91260	9	39
129115-91270	9	40
160393-55050	10	41
160710-78710	9	24
160725-78350	5	43
160842-21150	4	28
160842-21250	4	29
160842-21260	4	30
183250-39450	1	47
183671-13211	10	43
22117-080000	8	15
22190-160002	1	38
	10	27
22242-000150	2	16
22312-030160	2	43
	5	9
22312-040080	1	21
22322-030200	5	24
22351-020006	7	10
22351-025005	7	28
22351-030008	7	21
22351-040008	2	31
22451-060000	5	58
22512-050140	4	27
23080-014000	8	21
23414-080000	8	4
	10	34
23414-120000	10	40
23875-020000	1	22
24101-063040	4	53

Parts No.	Fig. No.	Ref. No.
24162-152220	1	41
24311-000400	10	42
24341-000150	8	13
	10	36
24341-000224	5	13
	10	35
24423-355008	1	42
		43
26023-040102	9	31
26106-060082	6	27
26106-060122	5	10
	6	28
	9	25
		35
26106-060142	5	47
26106-060162	5	14
	8	16
26106-060202	5	48
	6	5
	9	26
		36
26106-060402	3	8
26106-060652	2	47
26106-080122	1	44
26106-080202	3	16
26106-080352	1	33
26106-080402	3	25
26106-080452	8	17
26106-100302	9	19
26117-050089	5	39
26216-080182	3	17
26226-060142	3	26
26226-060162	3	6
26226-060182	1	23
26226-060222	1	24
26226-060352	3	9
26226-060552	2	33
26347-060002	5	44
26366-060002	1	25
	2	34
	3	27
	8	18
26366-080002	3	18
26577-060142	9	27
26716-080002	9	20
26757-060002	5	45
26776-100002	5	56
26856-060002	2	20
		24
714210-61701	5	25

Parts No.	Fig. No.	Ref. No.
714210-66100	5	35
714310-22500	4	33
714310-22540	4	56
714310-22550	4	62
714310-28510	4	48
71431C-23010	4	41
714320-22580	4	60
714320-22620	4	54
714320-22720	4	31
71432C-14010	4	1
714339-51300	7	1
714339-53200	7	22
714650-23600	4	46
714650-23610	4	66
714650-23620	4	68
X2114274200	9	18
X2114715500	9	4
X2114811000	9	3
X211485016	9	11

Parts No.	Fig. No.	Ref. No.
-----------	----------	----------