

OCR10-M77100EN

# Introduction

1. This parts catalog is a first edition of the L100N6FJ9P1AAAG Diesel engine for MARX.

	Parts catalog No.	Date of issue	Remarks
First edition	OCR10-G77100	Jan., 2009	

2. This parts catalog does not contain the technical data needed for maintenance service.

3. The illustrations used in this parts catalog have been simplified for clarity.

4. The contents of this parts catalog are subject to change without notice.

5. Be sure to use only Yanmar genuine parts for repairs. If imitation parts are used, it may cause engine defects.

## Directions for the Parts Catalog.

- The parts stipulated in this Parts Catalog are not necessarily standard equipped parts.
- Parts may change without prior notice.
- The following is an example of the Parts Catalog format.

REF.	LEV.	PARTS NO.	DESCRIPTION	Q'TY						I	R
				(A)	(B)	(C)	(D)	(E)	(F)		
1	1	729595-51390	FUEL INJECTION PUMP	1	1	1	1	1			1
1-1	1	729595-51391	FUEL INJECTION PUMP	1	1	1	1	1		N	1
		(A=E00185) (B=E00200)									
3	2	26022-060162	SCREW M 6X 16	9	9	9	9	9			
3-1	2	26022-060162	SCREW M 6X 16	4	4	4	4	4		K	
		(A=E00156) (B=E00156) (C=E00156) (D=E00156) (E=E00156)									
4	2	129470-51040	CAMSHAFT	1	1	1	1	1			
5	2	122710-51050	BEARING, ROLLER	2	2	2	2	2			
6	2	129470-51060	RETAINER	1	1	1	1	1			

Remarks
(1) BOOST COMPEMSATOR TYPE. OPTIONAL PART, TO E00155,(4JH-DT, 4JH-DTZ

### ① Ref. No.

The Ref. No. listed may not be in accordance with the illustration Ref. No.

(Ex.) Illustration No.

List Ref No.

1 1 (Before change) → 1-1 (After change)

For interchangeable symbols N, R and K, illustrations for new parts may be abbreviated.

### ② Lev. (Level)

Level indication

The numbers below indicate the level of relativity towards the main part.

1 ---- Main parts (Assembly parts)

2 ---- Sub component included in " 1 ".

3 ---- Sub component included in " 2 ".

Note) Parts that are not for sale are partially illustrated but not listed.

### ③ Interchangeability Mark

When a part change takes place, one of the following interchangeability symbols is indicated beside the part.

Symbol	Interchangeability	Contents note
N	Old $\begin{matrix} \leftarrow \text{Yes} \\ \text{No} \rightarrow \end{matrix}$ New	New Part is interchangeable for Old Part but Old Part is not interchangeable for New Part.
Q	Old $\begin{matrix} \leftarrow \text{No} \\ \text{Yes} \rightarrow \end{matrix}$ New	New Part is not interchangeable for Old Part but Old Part is interchangeable for New Part.
R	Old $\begin{matrix} \leftarrow \text{Yes} \\ \text{Yes} \rightarrow \end{matrix}$ New	New/ Old Parts are both interchangeable.
S	Old $\begin{matrix} \leftarrow \text{No} \\ \text{No} \rightarrow \end{matrix}$ New	New/ Old Parts are both not interchangeable.
W		Part newly added.
Z		Part discontinued.
F		Not interchangeable by a single part but interchangeable together with related parts.
K		Changes only for used parts quantities.

### ④ Effective Machine No.

When a part changes, the effective Machine No. will be indicated in the (A)-(F) column.

Product Symbol	Product No.	Product Symbol	Product No.
C	Clutch No. Compressor No.	F	Machine No. (Agricultural Equip.)
D	Drive No.	M	Machine No.
E	Engine No.		

Note 1) A date may follow the symbol. (Ex.) 1996.01

Note 2) "XXXXX" and "ZZZZZ" are for parts that could not be predicted or for engine models that could not be identified.

Note 3) (A=E00185) is the E (Engine Serial Number) for the column (A) model (in this case 4JH-DT) after the parts design change.

### ⑤ Remarks Mark

Figures or alphabets (symbols) are entered in the remarks column.

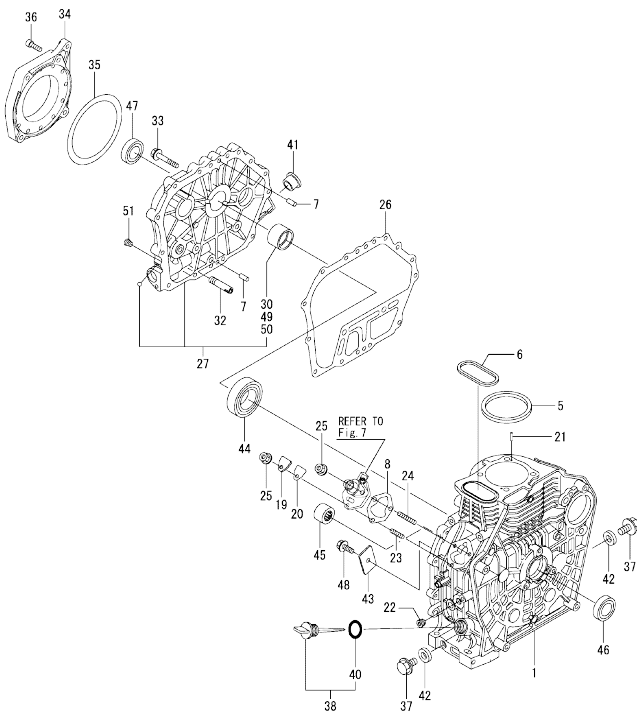
The comments (remarks) on parts that are indicated at the bottom of the illustration are the same symbols as those stated above.

## Contents

OCR10-M77100

Fig. No.	Fig. Name	Fig. No.	Fig. Name
L100N6FJ9P1AAAG			
1.	CYLINDER BLOCK		
2.	CYLINDER HEAD & BONNET		
3.	AIR CLEANER & MUFFLER		
4.	CRANKSHAFT, PISTON & CAMSHAFT		
5.	LUB.OIL PUMP & GOVERNOR		
6.	COOLING & STARTING DEVICE		
7.	FUEL INJECTION PUMP & FUEL INJECTION VALVE		
8.	FUEL TANK & FUEL PIPE		
9.	STARTING MOTOR & DYNAMO		
10.	TOOL, LABEL & GASKET SET		

OCR10-M77100 L100N6FJ9P1AAAG  
 Fig.1. CYLINDER BLOCK



OCR10-M77100 Fig.1

(A)=L100N6FJ9P1AAAG  
 (B)=  
 (C)=

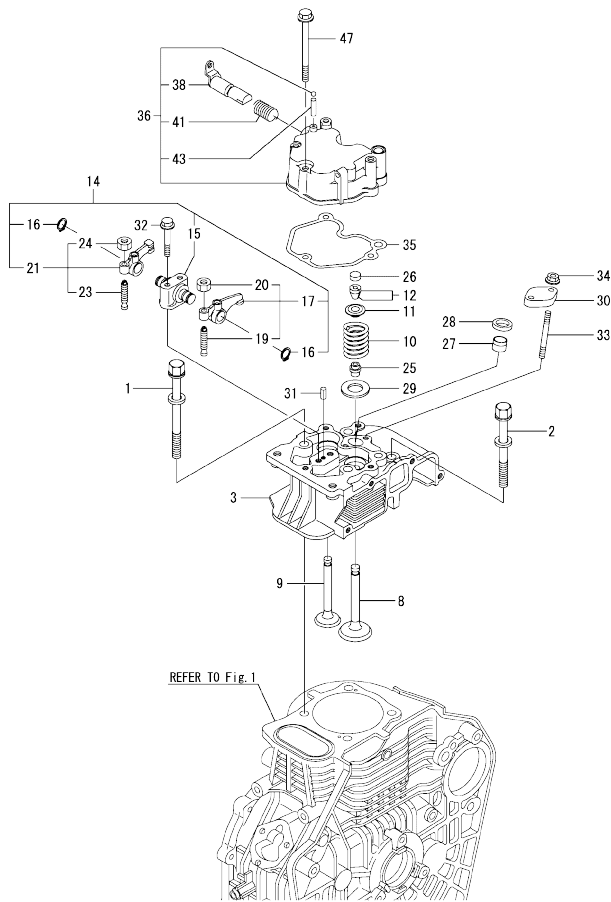
(D)=  
 (E)=  
 (F)=

No.	Lev.	Parts No.	Description	Q'ty						I	R
				(A)	(B)	(C)	(D)	(E)	(F)		
1	1	114310-01020	BLOCK ASSY, CYLINDER	1							
5	1	114695-01340	GASKET, HEAD T=0.5	1							
6	1	114699-01380	O-RING, TAPPET	1							
7	1	114299-01600	PIN, PARALLEL 8X12	2							
8	1	114299-01800	SHIM SET, PUMP	1							
19	1	114299-01830	COVER, PUMP	1							
20	1	114250-01841	GASKET, COVER	1							
21	1	22312-040080	PIN, PARALLEL M4X 8	2							
22	1	23875-020000	PLUG, R02	1							
23	1	26226-060182	STUD, M6X 18	1							
24	1	26226-060222	STUD, M6X 22	2							
25	1	26366-060002	NUT, M6	3							
26	1	114699-01410	GASKET, CASE COVER	1							
27	1	114310-01450	COVER, CRANK CASE D	1							
30	2	114650-02100	METAL, MAIN	1							1
32	1	114299-35150	PIPE, OIL INLET	1							
33	1	26106-080352	BOLT, M8X 35 PLATED	16							
34	1	114399-21960	FLANGE	1							
35	1	114399-21980	GASKET	1							
36	1	26453-080252	BOLT, M8X 25	4							
37	1	114299-01690	PLUG, DRAIN 16	2							
38	1	114699-01760	CAP ASSY, OIL SUPPLY	1							
40	2	114299-01950	O-RING, 18	1							
41	1	160110-01870	PLUG, RUBBER 22	1							
41-1	1	114940-01870	PLUG, RUBBER 22	1							N
(A=2019.02)											
42	1	22190-160002	WASHER, SEAL 16	2							
43	1	114299-02030	RETAINER, BEARING	1							
44	1	114650-02150	BEARING, HR6308G3C3	1							
45	1	24162-152220	BEARING, 152220	1							
46	1	24423-355008	SEAL, OIL TC355008	1							
47	1	24423-355008	SEAL, OIL TC355008	1							
48	1	26106-080122	BOLT, M8X 12 PLATED	1							
49	1	114650-02200	METAL, MAIN 0.25 US	1							2
50	1	114650-02210	METAL, MAIN 0.50 US	1							3
51	1	23876-010000	PLUG, R01	1							

Remarks  
 (1)REPAIR PART.  
 (2)UNDER SIZED(U.S.=0.25)PART.  
 (3)UNDER SIZED(U.S.=0.50)PART.

N:Old  $\frac{New}{Old}$  New, Q:Old  $\frac{New}{Old}$  New, R:Old  $\frac{New}{Old}$  New, S:Old  $\frac{New}{Old}$  New, W:Add, Z:Discontinued, F:Interchangeable by set, K:Q'ty Change  
 Copyright (C) YANMAR CO., LTD. All Rights Reserved.

Fig.2. CYLINDER HEAD & BONNET

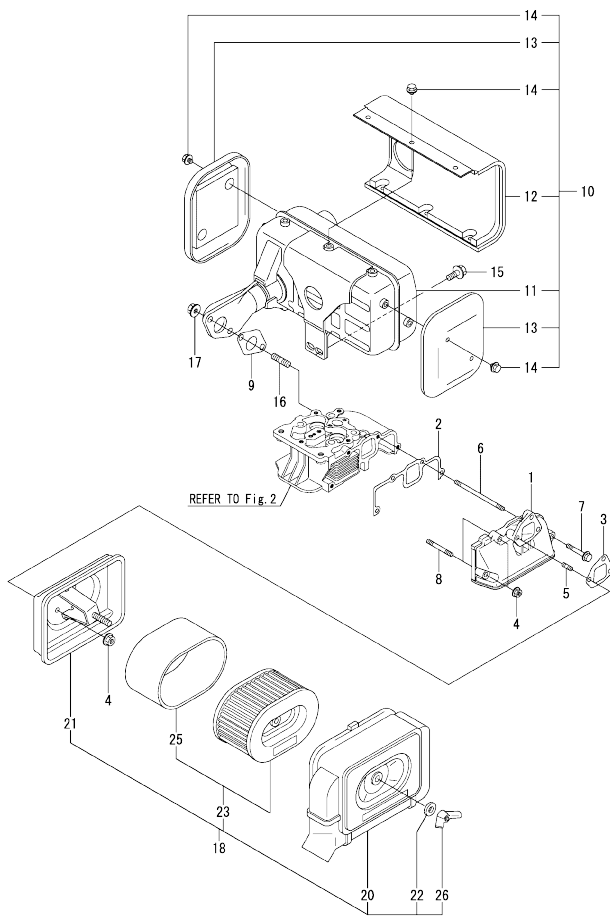


(A)=L100N6FJ9P1AAAG  
(B)=  
(C)=

(D)=  
(E)=  
(F)=

No.	Lev.	Parts No.	Description	Q'ty						I	R	
				(A)	(B)	(C)	(D)	(E)	(F)			
1	1	114310-01200	BOLT, CYL HEAD A									
2	1	114310-01210	BOLT, CYL HEAD B	2								
3	1	114320-11020	HEAD ASSY, CYLINDER	1								
8	1	114310-11100	VALVE, INTAKE	1								
9	1	114310-11110	VALVE, EXHAUST	1								
10	1	114310-11120	SPRING, VALVE	2								
11	1	114310-11180	RETAINER, SPRING	2								
12	1	114310-11930	COTTER ASSY	2								
14	1	114310-11250	SUPPORT ASSY, ROCKER	1								
15	2	114310-11260	SUPPORT, ROCKER ARM	1								
16	2	114310-11280	C TYPE RETAINING RIN	2								
17	2	114310-11650	ARM ASSY, INTAKE	1								
19	3	114299-11240	SCREW, ADJUSTING	1								
20	3	26856-060002	NUT, M6	1								
21	2	114310-11660	ARM ASSY, EXHAUST	1								
23	3	114299-11240	SCREW, ADJUSTING	1								
24	3	26856-060002	NUT, M6	1								
25	1	114650-11340	SEAL, VALVE STEM	2								
26	1	104211-11370	CAP, VALVE	2								
27	1	114240-11450	PROTECTOR, NOZZLE	1								
28	1	114240-11550	SEAT, NOZZLE	1								
29	1	114699-11600	WASHER	2								
30	1	114210-11901	RETAINER, NOZZLE	1								
31	1	22351-040008	PIN, SPRING 4.0X 8	1								
32	1	26106-080502	BOLT, M8X 50 PLATED	2								
33	1	26226-060552	STUD, M6X 55	2								
34	1	26366-060002	NUT, M6	2								
35	1	114310-11310	GASKET, BONNET	1								
36	1	114310-11960	BONNET ASSY, HEAD	1								
38	2	114210-03580	DECOMPRESSION ASSY	1								
41	2	114299-03640	SPRING, DECOMPRESSION	1								
43	2	22312-030160	PIN, PARALLEL M3X16	1								
47	1	26106-060652	BOLT, M6X 65 PLATED	3								

Fig.3. AIR CLEANER & MUFFLER

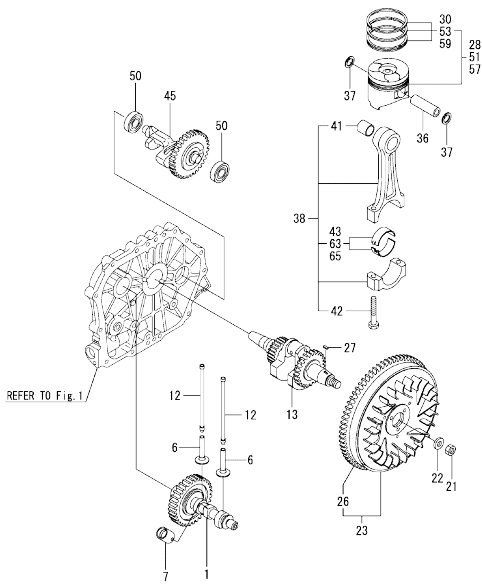


(A)=L100N6FJ9P1AAAG  
(B)=  
(C)=

(D)=  
(E)=  
(F)=

No.	Lev.	Parts No.	Description	Q'ty						I	R
				(A)	(B)	(C)	(D)	(E)	(F)		
1	1	114310-12050	MANIFOLD, INTAKE	1							
2	1	114310-12210	GASKET, AIR CLEANER	1							
3	1	114699-12210	GASKET, AIR CLEANER	1							
4	1	114299-12300	NUT	5							
5	1	26226-060142	STUD, M6X 14	2							
6	1	114310-45360	STUD BOLT, TOP COVER	1							
7	1	26106-060402	BOLT, M6X 40 PLATED	1							
8	1	26226-060352	STUD, M6X 35	2							
9	1	114310-13200	GASKET, MUFFLER	1							
10	1	114699-13552	MUFFLER ASSY	1							
11	2	114699-13562	MUFFLER	1							
12	2	114699-13700	COVER A, MUFFLER	1							
13	2	114699-13710	COVER	2							
14	2	114699-13720	BOLT, M6	10							
15	1	26106-080202	BOLT, M8X 20 PLATED	2							
16	1	26216-080182	STUD, M8X 18	2							
17	1	26366-080002	NUT, M8	2							
18	1	783671-12560	CLEANER ASSY, AIR	1							
20	2	183671-12520	COVER ASSY, CLEANER	1							
21	2	114980-12530	CASE ASSY, CLEANER	1							
22	2	114252-12560	WASHER, SEAL M8	1							
23	2	114650-12590	ELEMENT ASSY	1							
25	3	114650-12550	FILTER, PRE	1							
26	2	114252-12550	NUT, WING M8	1							

Fig.4. CRANKSHAFT, PISTON & CAMSHAFT



(A)=L100N6FJ9P1AAAG  
(B)=  
(C)=

(D)=  
(E)=  
(F)=

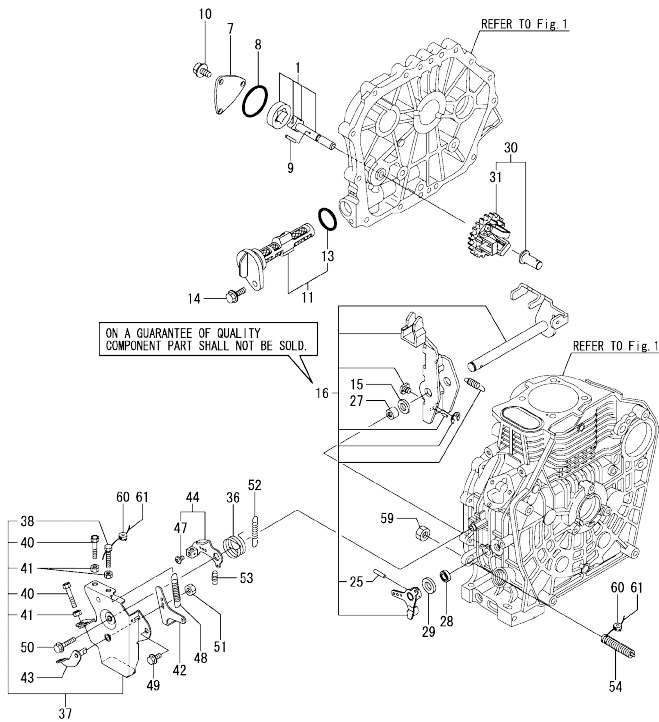
No.	Lev.	Parts No.	Description	Q'ty						I	R
				(A)	(B)	(C)	(D)	(E)	(F)		
1	1	714320-14580	CAMSHAFT ASSY	1							
6	1	114310-14200	TAPPET	2							
7	1	114210-14300	TAPPET ASSY, ROLLER	1							
12	1	114310-14400	ROD ASSY, PUSH	2							
13	1	714310-21760	CRANKSHAFT(E-DI ASSY	1							
21	1	114699-21220	NUT	1							
22	1	114699-21550	WASHER	1							
23	1	114699-21600	FLYWHEEL ASSY, DE	1							
26	2	114699-21630	RING, GEAR	1							
27	1	22512-050140	KEY, 5X 14	1							
28	1	714320-22720	PISTON W/RINGS (D	1							
30	2	714310-22500	RING SET, PISTON	1							
36	1	114699-22300	PIN, PISTON D=23	1							
37	1	129792-22400	CIRCLIP, 23	2							
38	1	71431C-23010	ROD ASSY, CONNECTING	1							
41	3	124060-23100	BEARING, PISTON PIN	1							
42	3	119810-23200	BOLT, CONNECTING ROD	2							
43	2	714650-23600	BEARING, CRANK PIN	1							
45	1	714310-28510	SHAFT ASSY, BALANCER	1							
50	1	24101-063040	BEARING, BALL 6304C3	2							
51	1	714320-22620	PISTON W/RING .25OS	1							1
53	2	714310-22540	RING SET O.S.=0.25	1							1
57	1	714320-22580	PISTON W/RING .50OS	1							2
59	2	714310-22550	RING SET O.S.=0.50	1							2
63	1	714650-23610	BEARING ASSY, 0.25	1							3
65	1	714650-23620	BEARING, 0.50 US	1							4

Remarks

- (1)OVER SIZED(O.S.=0.25)PART.
- (2)OVER SIZED(O.S.=0.50)PART.
- (3)UNDER SIZED(U.S.=0.25)PART.
- (4)UNDER SIZED(U.S.=0.50)PART.



Fig.5. LUB.OIL PUMP & GOVERNOR



(A)=L100N6FJ9P1AAAG  
(B)=  
(C)=

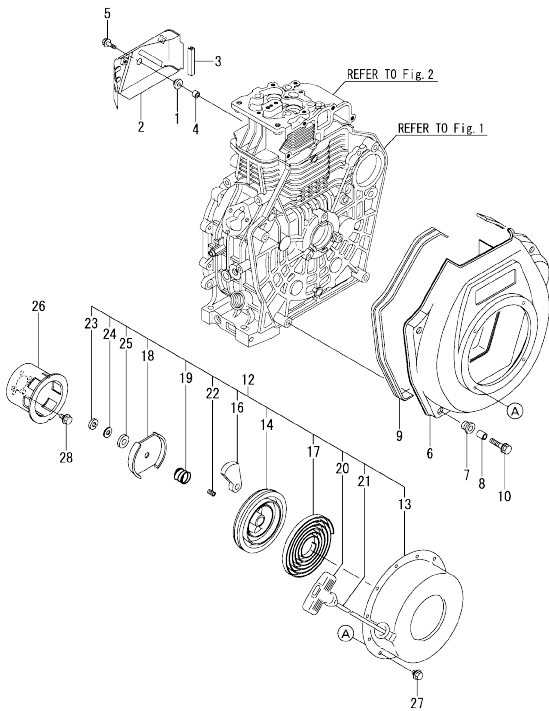
(D)=  
(E)=  
(F)=

No.	Lev.	Parts No.	Description	Q'ty						I	R
				(A)	(B)	(C)	(D)	(E)	(F)		
1	1	114650-32010	PUMP ASSY, OIL	1							
7	1	114299-32070	COVER	1							
8	1	114299-32570	O-RING	1							
9	1	22312-030160	PIN, PARALLEL M3X16	1							
10	1	26106-060122	BOLT, M6X 12 PLATED	3							
11	1	114299-35110	FILTER ASSY, OIL	1							
13	2	24341-000224	O-RING, 1AS22.4	1							
14	1	26106-060162	BOLT, M6X 16 PLATED	1							
15	1	114299-61190	WASHER	1							
16	1	114311-61500	LEVER ASSY, GOVERNOR	1							
25	2	22322-030200	PIN, TAPER 3X20	1							
27	1	114770-61520	BEARING, NEEDLE	2							
28	1	114299-61600	SEAL, OIL	1							
29	1	114770-61610	WASHER, THRUST	1							
30	1	714210-61701	GOVERNOR ASSY	1							
31	2	114210-61290	WEIGHT ASSY GOVERNOR	1							
36	1	114299-66250	SPRING, RETURN	1							
37	1	714299-66901	SPEED CONTROL TP 01	1							
38	2	114299-66440	BOLT, ADJUSTING	1							
40	2	114299-67080	BOLT, ADJUSTING	2							
41	2	26757-060002	NUT, LOCK M6	3							
42	1	114299-66920	LEVER, STOP	1							
43	1	114299-66932	LEVER, STOP-IN	1							
44	1	114299-66940	LEVER ASSY,REGULATOR	1							
47	2	26117-050089	BOLT, M5X 8 PLATED	1							
48	1	114310-66950	SPRING, STOP TILLER	1							
49	1	26106-060142	BOLT, M6X 14 PLATED	1							
50	1	26106-060302	BOLT, M6X 30 PLATED	1							
51	1	26757-080002	NUT, LOCK M8	1							
52	1	114320-66010	SPRING, REGULATOR	1							
53	1	114299-66200	SPRING, RETURN	1							
54	1	114320-66600	LIMITER ASSY, FUEL	1							
59	1	26776-100002	NUT, LOCK M10	1							
60	1	114780-61090	TIN	2							
61	1	22451-060000	WIRE, 0.6	2							

Fig.6. COOLING & STARTING DEVICE

(A)=L100N6FJ9P1AAAG  
(B)=  
(C)=

(D)=  
(E)=  
(F)=

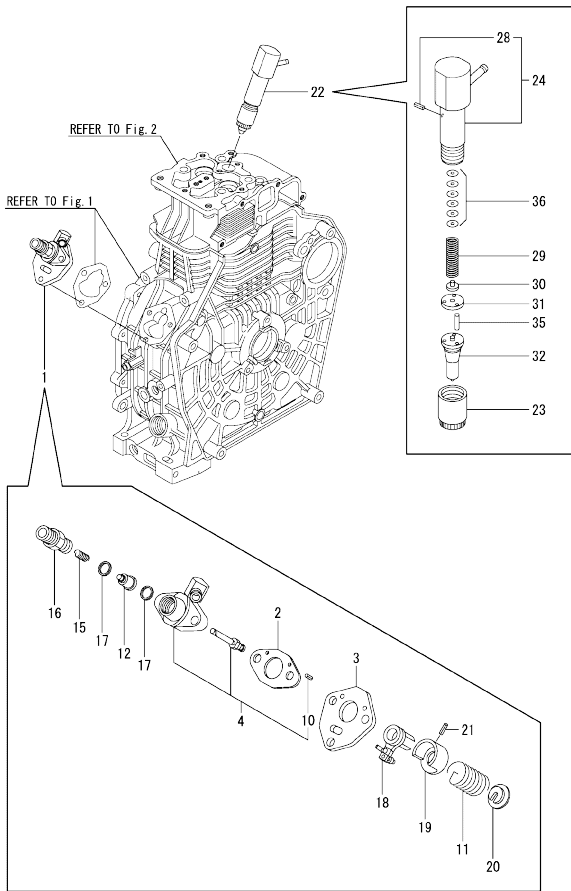


No.	Lev.	Parts No.	Description	Q'ty						I	R
				(A)	(B)	(C)	(D)	(E)	(F)		
1	1	114299-45220	GROMMET	1							
2	1	114310-45260	COVER B, SIDE (13)	1							
3	1	114399-45320	RUBBER, SEAL	1							
4	1	114399-45340	COLLAR	1							
5	1	26106-060202	BOLT, M6X 20 PLATED	1							
6	1	114310-45100-1	CASE, COOLING FAN	1							
7	1	114299-45301	RUBBER, CUSHION	4							
8	1	114299-45310	COLLAR	4							
9	1	114699-45330	SEAL, FAN CASE	1							
10	1	114299-45350	BOLT, FAN CASE	4							
12	1	114699-76251	RECOIL ASSY	1							
13	2	114699-76510	CASE, STARTER	1							
14	2	114699-76521	REEL, RECOIL	1							
16	2	114699-76531	RATCHET	2							
17	2	114399-76540	SPRING, SPIRAL	1							
18	2	114699-76551	GUIDE, RATCHET	1							
19	2	114699-76560	SPRING, FRICTION	1							
20	2	114399-76620	KNOB, STARTER	1							
21	2	114699-76630	ROPE, STARTER	1							
22	2	114699-76650	SPRING, RETURN	1							
23	2	114699-76660	CIRCLIP	1							
24	2	114699-76670	WASHER	1							
25	2	114699-76680	WASHER	1							
26	1	114699-76592	PULLEY, STARTER	1							
27	1	26106-060082	BOLT, M6X 8 PLATED	4							
28	1	26106-060122	BOLT, M6X 12 PLATED	3							

Fig.7. FUEL INJECTION PUMP & FUEL INJECTION VALVE

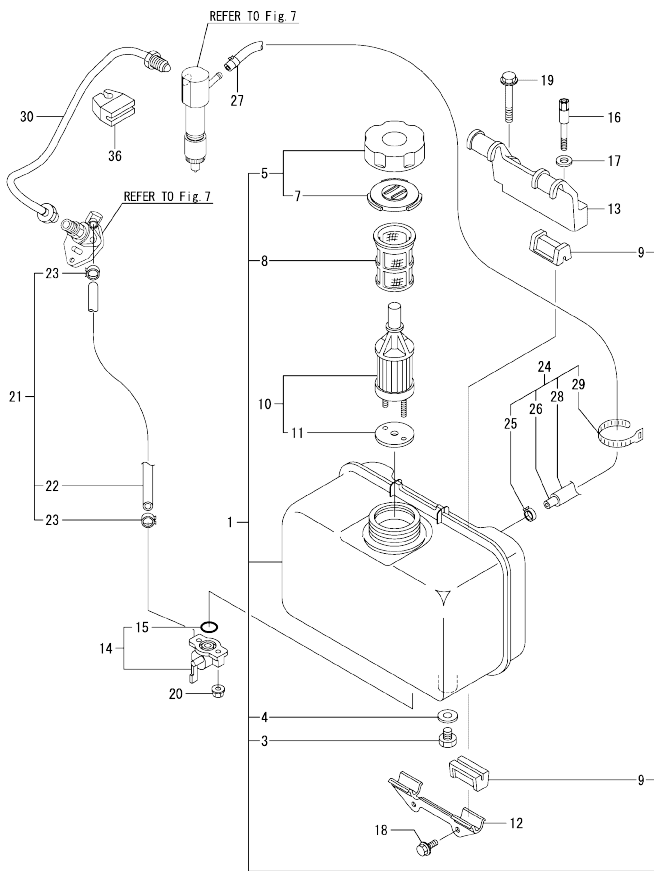
(A)=L100N6FJ9P1AAAG  
(B)=  
(C)=

(D)=  
(E)=  
(F)=



No.	Lev.	Parts No.	Description	Q'ty						I	R
				(A)	(B)	(C)	(D)	(E)	(F)		
1	1	714339-51200	F.I.PUMP ASSY	1							
2	2	105546-51020	GASKET	1							
3	2	114250-51080	PLATE	1							
4	2	114339-51100	BODY ASSY, PUMP	1							
10	4	22351-020006	PIN, SPRING 2.0X 6	2							
11	2	114250-51160	SPRING, PLUNGER	1							
12	2	114650-51300	VALVE ASSY, DELIVERY	1							
15	2	105546-51330	SPRING, DELIVERY	1							
16	2	114250-51340	HOLDER, DELIVERY	1							
17	2	124550-51350	GASKET, DELIVERY	2							
18	2	114250-51600	LEVER ASSY, CONTROL	1							
19	2	114250-51640	SEAT, SPRING A	1							
20	2	114250-51650	SEAT, SPRING B	1							
21	2	22351-030008	PIN, SPRING 3.0X 8	1							
22	1	714339-53200	VALVE ASSY, INJECTION	1							
23	2	114250-53080	NUT, NOZZLE D16.95	1							
24	2	114339-53100	HOLDER ASSY, NOZZLE	1							
28	3	22351-025005	PIN, SPRING 2.5X 6	1							
29	2	114250-53120	SPRING, NOZZLE	1							
30	2	114250-53130	SEAT, SPRING	1							
31	2	114250-53140	PLATE	1							
32	2	114339-53200	VALVE ASSY, INJECTION	1							
35	2	114250-53210	PIN	2							
36	2	114250-53400	SHIM SET	1							

Fig.8. FUEL TANK & FUEL PIPE

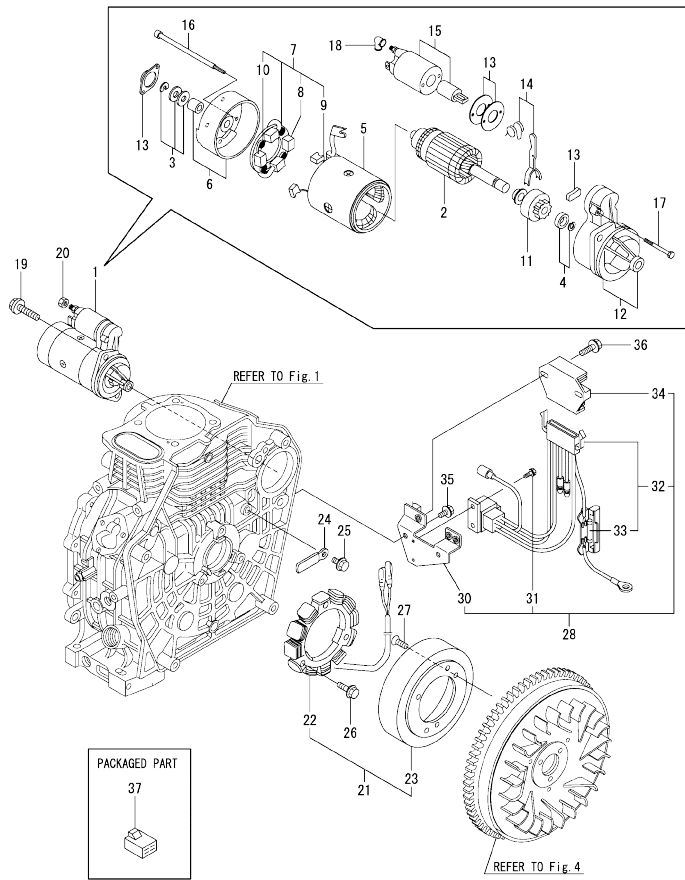


(A)=L100N6FJ9P1AAAG  
(B)=  
(C)=

(D)=  
(E)=  
(F)=

No.	Lev.	Parts No.	Description	Q'ty						I	R
				(A)	(B)	(C)	(D)	(E)	(F)		
1	1	714310-55700	TANK ASSY, FUEL	1							
3	3	114299-55080	PLUG, DRAIN	1							
4	3	23414-080000	GASKET, 8X1.0	1							
5	2	114288-55041	CAP ASSY, FUEL TANK	1							
7	3	114288-55081	VALVE	1							
8	2	114299-55100	ELEMENT, FUEL FILTER	1							
9	2	114250-55201	DAMPER, FUEL TANK	4							
10	1	114250-55121	FILTER ASSY, FUEL	1							
11	2	114250-55130	GASKET	1							
12	1	114210-55210	STAY, FUEL TANK A	1							
13	1	114310-55230	STAY, FUEL TANK B	1							
14	1	114250-55301	COCK ASSY, FUEL	1							
15	2	24341-000150	O-RING, 1AS15.0	1							
16	1	114210-55810	BOLT, LIFTING	1							
17	1	22117-080000	WASHER, 8	1							
18	1	26106-060162	BOLT, M6X 16 PLATED	2							
19	1	26106-080452	BOLT, M8X 45 PLATED	1							
20	1	26368-060002	NUT, M6	2							
21	1	114780-59010	PIPE ASSY, FUEL L50	1							
22	2	114780-59060	PIPE, FUEL L=50	1							
23	2	23080-014000	CLAMP, 14	2							
24	1	114339-59300	PIPE ASSY, RETURN	1							
24-1	1	114339-59301	PIPE ASSY, FO RETURN	1							N
(A=*2019.03)											
25	2	124722-59050	CLAMP, HOSE 9	1							
26	2	114310-59060	PIPE, FUEL RETURN	1							
26-1	2	114310-59061	PIPE, FO RETURN	1							N
(A=*2019.03)											
27	2	124066-59100	CLAMP, HOSE 8	1							
28	2	114310-59310	HOSE, PROTECTION	1							
29	2	121750-59890	BAND, NYLON	1							
30	1	114310-59800	PIPE ASSY, INJECTION	1							
36	1	114699-59850	SUPPORT, PIPE	1							

Fig.9. STARTING MOTOR & DYNAMO



(A)=L100N6FJ9P1AAAG  
(B)=  
(C)=

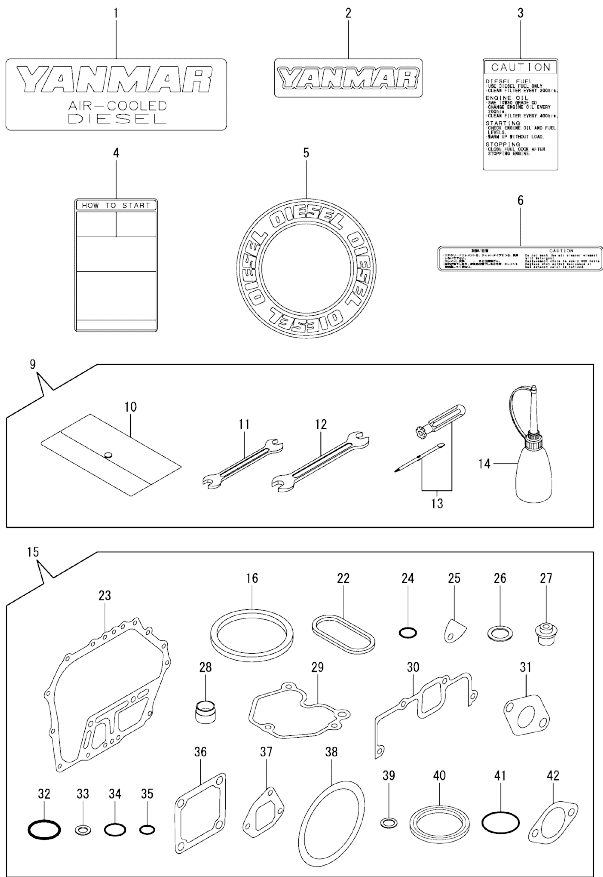
(D)=  
(E)=  
(F)=

No.	Lev.	Parts No.	Description	Q'ty						I	R
				(A)	(B)	(C)	(D)	(E)	(F)		
1	1	114362-77011	STARTER(HITACHI 12V	1							
2	2	114381-77110	ARMATURE	1							
3	2	X2114811000	WASHER KIT, THRUST	1							
4	2	X2114715500	STOPPER SET, PINION	1							
5	2	114381-77130	COIL ASSY, FIELD	1							
6	2	114381-77140	COVER, REAR	1							
7	2	114371-77160	HOLDER ASSY, BRUSH	1							
8	3	114371-79040	BRUSH (-)	2							
9	3	114371-79050	BRUSH (+)	1							
10	3	114371-79060	SPRING, BRUSH	4							
11	2	X211485016	PINION ASSY	1							
12	2	114381-77151	HOUSING ASSY, GEAR	1							
13	2	114371-77170	COVER KIT, DUST	1							
14	2	114371-77180	LEVER KIT, SHIFT	1							
15	2	124298-77020	SWITCH, MAGNETIC	1							
16	2	124195-77770	THROUGH BOLT	2							
17	2	114371-79070	BOLT M 6X 37	2							
18	2	X2114274200	COVER, TERMINAL	1							
19	1	26106-100302	BOLT, M10X 30 PLATED	2							
20	1	26716-080002	NUT, M8	1							
21	1	114399-78260	DYNAMO ASSY	1							
22	2	114399-78730	STATOR ASSY	1							
23	2	114399-78740	WHEEL, DYNAMO	1							
24	1	160710-78710	CLAMP, CORD	1							
25	1	26106-060122	BOLT, M6X 12 PLATED	1							
26	1	26106-060202	BOLT, M6X 20 PLATED	3							
27	1	26577-060142	SCREW M 6X 14	3							
28	1	114399-77550	REG. & HARNESS ASSY	1							
30	3	114399-77400	BRACKET, HARNESS	1							
31	3	26023-040102	SCREW, M4X10	2							
32	3	114399-77540	HARNESS, WIRE	1							
33	4	114399-78000	FUSE(20A	2							
34	2	114399-77710	REGULATOR	1							
35	1	26106-060122	BOLT, M6X 12 PLATED	2							
36	1	26106-060202	BOLT, M6X 20 PLATED	2							
37	1	114351-77520	COUPLER	1							

Fig.10. TOOL, LABEL & GASKET SET

(A)=L100N6FJ9P1AAAG  
(B)=  
(C)=

(D)=  
(E)=  
(F)=



No.	Lev.	Parts No.	Description	Q'ty						I	R
				(A)	(B)	(C)	(D)	(E)	(F)		
1	1	114299-07100	LABEL, AIR COOLED	1							
2	1	114299-07110	LABEL, YANMAR	1							
3	1	114210-07120	LABEL, CAUTION	1							
4	1	114210-07130	LABEL HOW TO START-E	1							
5	1	114299-07160	LABEL, DIESEL	1							
6	1	114650-07450	LABEL, AIR CLEANER	1							
9	1	114299-92590	BOX, TOOL	1							
10	2	114299-92600	BAG, TOOL	1							
11	2	114299-92710	WRENCH	1							
12	2	114299-92720	WRENCH	1							
13	2	114299-92730	DRIVER	1							
14	2	114299-92740	DIPSTICK	1							
15	1	114320-92610	GASKET SET	1							1
16	2	114695-01330	GASKET, HEAD	1							
22	2	114699-01380	O-RING	1							
23	2	114699-01410	GASKET, CRANK CASE	1							
24	2	114299-01950	O-RING, 18	2							
25	2	114250-01841	GASKET	1							
26	2	22190-160002	WASHER, SEAL 16	2							
27	2	114650-11340	SEAL, VALVE STEM	2							
28	2	114240-11450	PROTECTOR, NOZZLE	1							
29	2	114310-11310	GASKET, BONNET	1							
30	2	114310-12210	GASKET, AIR CLEANER	1							
31	2	114310-13200	GASKET, MUFFLER	1							
32	2	114299-32570	O-RING	1							
33	2	23414-080000	GASKET, 8X1.0	1							
34	2	24341-000224	O-RING, 1AS22.4	1							
35	2	24341-000150	O-RING, 1AS15.0	2							
36	2	129100-77510	GASKET, AIR HEATER	3							
37	2	114699-12210	GASKET, AIR CLEANER	2							
38	2	114399-21980	GASKET	1							
39	2	23414-120000	GASKET, 12X1.0	1							
40	2	160393-55050	GASKET	4							
41	2	24311-000400	O-RING, 1AP40.0	1							
42	2	183671-13211	GASKET, EXH.PIPE	1							

Remarks  
(1)OPTIONAL

N:Old  $\frac{REV}{100}$  New, Q:Old  $\frac{REV}{100}$  New, R:Old  $\frac{REV}{100}$  New, S:Old  $\frac{REV}{100}$  New, W:Add, Z:Discontinued, F:Interchangeable by set, K:Q'ty Change  
Copyright (C) YANMAR CO., LTD. All Rights Reserved.

## Parts No. Index

Parts No.	Fig. No.	Ref. No.	Parts No.	Fig. No.	Ref. No.	Parts No.	Fig. No.	Ref. No.	Parts No.	Fig. No.	Ref. No.
104211-11370	2	26	114299-32070	5	7	114310-45100-1	6	6	114650-02210	1	50
105546-51020	7	2	114299-32570	5	8	114310-45260	6	2	114650-07450	10	6
105546-51330	7	15		10	32	114310-45360	3	6	114650-11340	2	25
114210-03580	2	38	114299-35110	5	11	114310-55230	8	13		10	27
114210-07120	10	3	114299-35150	1	32	114310-59060	8	26	114650-12550	3	25
114210-07130	10	4	114299-45220	6	1	114310-59061	8	26	114650-12590	3	23
114210-11901	2	30	114299-45301	6	7	114310-59310	8	28	114650-32010	5	1
114210-14300	4	7	114299-45310	6	8	114310-59800	8	30	114650-51300	7	12
114210-55210	8	12	114299-45350	6	10	114310-66950	5	48	114695-01330	10	16
114210-55810	8	16	114299-55080	8	3	114311-61500	5	16	114695-01340	1	5
114210-61290	5	31	114299-55100	8	8	114320-11020	2	3	114699-01380	1	6
114240-11450	2	27	114299-61190	5	15	114320-66010	5	52		10	22
	10	28	114299-61600	5	28	114320-66600	5	54	114699-01410	1	26
114240-11550	2	28	114299-66200	5	53	114320-92610	10	15		10	23
114250-01841	1	20	114299-66250	5	36	114339-51100	7	4	114699-01760	1	38
	10	25	114299-66440	5	38	114339-53100	7	24	114699-11600	2	29
114250-51080	7	3	114299-66920	5	42	114339-53200	7	32	114699-12210	3	3
114250-51160	7	11	114299-66932	5	43	114339-59300	8	24		10	37
114250-51340	7	16	114299-66940	5	44	114339-59301	8	24	114699-13552	3	10
114250-51600	7	18	114299-67080	5	40	114351-77520	9	37	114699-13562	3	11
114250-51640	7	19	114299-92590	10	9	114362-77011	9	1	114699-13700	3	12
114250-51650	7	20	114299-92600	10	10	114371-77160	9	7	114699-13710	3	13
114250-53080	7	23	114299-92710	10	11	114371-77170	9	13	114699-13720	3	14
114250-53120	7	29	114299-92720	10	12	114371-77180	9	14	114699-21220	4	21
114250-53130	7	30	114299-92730	10	13	114371-79040	9	8	114699-21550	4	22
114250-53140	7	31	114299-92740	10	14	114371-79050	9	9	114699-21600	4	23
114250-53210	7	35	114310-01020	1	1	114371-79060	9	10	114699-21630	4	26
114250-53400	7	36	114310-01200	2	1	114371-79070	9	17	114699-22300	4	36
114250-55121	8	10	114310-01210	2	2	114381-77110	9	2	114699-45330	6	9
114250-55130	8	11	114310-01450	1	27	114381-77130	9	5	114699-59850	8	36
114250-55201	8	9	114310-11100	2	8	114381-77140	9	6	114699-76251	6	12
114250-55301	8	14	114310-11110	2	9	114381-77151	9	12	114699-76510	6	13
114252-12550	3	26	114310-11120	2	10	114399-21960	1	34	114699-76521	6	14
114252-12560	3	22	114310-11180	2	11	114399-21980	1	35	114699-76531	6	16
114288-55041	8	5	114310-11250	2	14		10	38	114699-76551	6	18
114288-55081	8	7	114310-11260	2	15	114399-45320	6	3	114699-76560	6	19
114299-01600	1	7	114310-11280	2	16	114399-45340	6	4	114699-76592	6	26
114299-01690	1	37	114310-11310	2	35	114399-76540	6	17	114699-76630	6	21
114299-01800	1	8		10	29	114399-76620	6	20	114699-76650	6	22
114299-01830	1	19	114310-11650	2	17	114399-77400	9	30	114699-76660	6	23
114299-01950	1	40	114310-11660	2	21	114399-77540	9	32	114699-76670	6	24
	10	24	114310-11930	2	12	114399-77550	9	28	114699-76680	6	25
114299-02030	1	43	114310-11960	2	36	114399-77710	9	34	114770-61520	5	27
114299-03640	2	41	114310-12050	3	1	114399-78000	9	33	114770-61610	5	29
114299-07100	10	1	114310-12210	3	2	114399-78260	9	21	114780-59010	8	21
114299-07110	10	2		10	30	114399-78730	9	22	114780-59060	8	22
114299-07160	10	5	114310-13200	3	9	114399-78740	9	23	114780-61090	5	60
114299-11240	2	19		10	31	114650-02100	1	30	114940-01870	1	41
		23	114310-14200	4	6	114650-02150	1	44	114980-12530	3	21
114299-12300	3	4	114310-14400	4	12	114650-02200	1	49	119810-23200	4	42

## Parts No. Index

Parts No.	Fig. No.	Ref. No.
121750-59890	8	29
124060-23100	4	41
124066-59100	8	27
124195-77770	9	16
124298-77020	9	15
124550-51350	7	17
124722-59050	8	25
129100-77510	10	36
129792-22400	4	37
160110-01870	1	41
160393-55050	10	40
160710-78710	9	24
183671-12520	3	20
183671-13211	10	42
22117-080000	8	17
22190-160002	1	42
	10	26
22312-030160	2	43
	5	9
22312-040080	1	21
22322-030200	5	25
22351-020006	7	10
22351-025005	7	28
22351-030008	7	21
22351-040008	2	31
22451-060000	5	61
22512-050140	4	27
23080-014000	8	23
23414-080000	8	4
	10	33
23414-120000	10	39
23875-020000	1	22
23876-010000	1	51
24101-063040	4	50
24162-152220	1	45
24311-000400	10	41
24341-000150	8	15
	10	35
24341-000224	5	13
	10	34
24423-355008	1	46
		47
26023-040102	9	31
26106-060082	6	27
26106-060122	5	10
	6	28
	9	25
		35
26106-060142	5	49
26106-060162	5	14

Parts No.	Fig. No.	Ref. No.
26106-060162	8	18
26106-060202	6	5
	9	26
		36
26106-060302	5	50
26106-060402	3	7
26106-060652	2	47
26106-080122	1	48
26106-080202	3	15
26106-080352	1	33
26106-080452	8	19
26106-080502	2	32
26106-100302	9	19
26117-050089	5	47
26216-080182	3	16
26226-060142	3	5
26226-060182	1	23
26226-060222	1	24
26226-060352	3	8
26226-060552	2	33
26366-060002	1	25
	2	34
	8	20
26366-080002	3	17
26453-080252	1	36
26577-060142	9	27
26716-080002	9	20
26757-060002	5	41
26757-080002	5	51
26776-100002	5	59
26856-060002	2	20
		24
714210-61701	5	30
714299-66901	5	37
714310-21760	4	13
714310-22500	4	30
714310-22540	4	53
714310-22550	4	59
714310-28510	4	45
714310-55700	8	1
71431C-23010	4	38
714320-14580	4	1
714320-22580	4	57
714320-22620	4	51
714320-22720	4	28
714339-51200	7	1
714339-53200	7	22
714650-23600	4	43
714650-23610	4	63
714650-23620	4	65

Parts No.	Fig. No.	Ref. No.
783671-12560	3	18
X2114274200	9	18
X2114715500	9	4
X2114811000	9	3
X211485016	9	11

Parts No.	Fig. No.	Ref. No.
-----------	----------	----------