

0CC50-M01550EN

P R E F A C E

This parts catalog is the 1st edition of L70N5FF1C1EA for CHAGSHA FLORES.

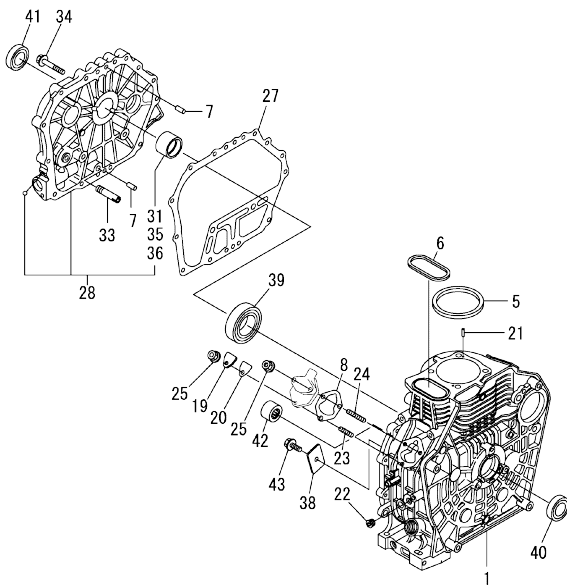
Published : May, 2018

Contents

0CC50-M01550

Fig. No.	Fig. Name	Fig. No.	Fig. Name
ENGINE			
1.	CYLINDER BLOCK		
2.	DRAIN PLUG		
3.	LABEL		
4.	CYLINDER HEAD & BONNET		
5.	AIR CLEANER		
6.	EXHAUST MUFFLER		
7.	CAMSHAFT		
8.	CRANKSHAFT		
9.	FLYWHEEL		
10.	PISTON & CONNECTING ROD		
11.	BALANCER SHAFT		
12.	LUB. OIL PUMP & GOVERNOR		
13.	SWITCH CAP(OIL PRESSURE)		
14.	COVER		
15.	COOLING FAN CASE		
16.	FUEL INJECTION PUMP & FUEL INJECTION VALVE		
17.	FUEL PIPE		
18.	CONTROL DEVICE		
19.	RECOIL STARTER		
20.	ACCESSORY		
21.	GASKET SET & TOOL		

Fig.1. CYLINDER BLOCK

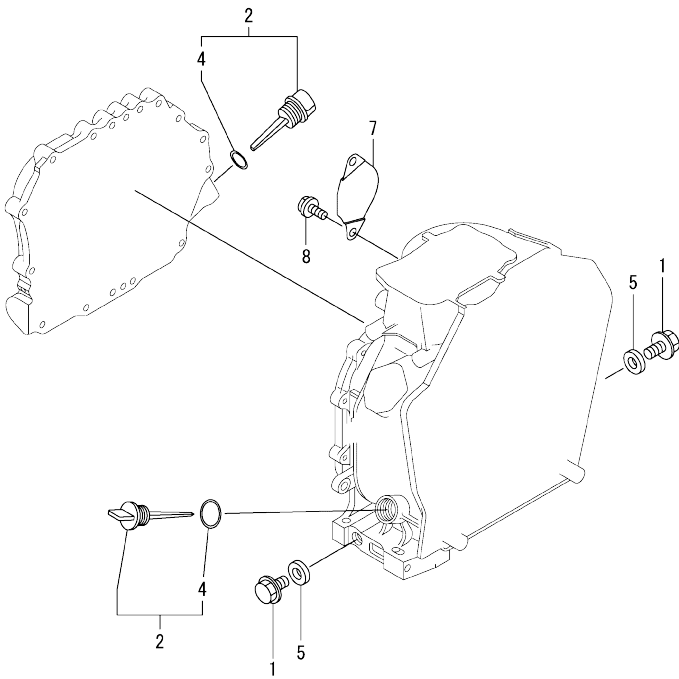


No.	Lev.	Parts No.	Description	Q'ty						I	R
				(A)	(B)	(C)	(D)	(E)	(F)		
1	1	114210-01020	BLOCK ASSY, CYLINDER	1							
5	1	114395-01341	GASKET, HEAD 0.5	1							
6	1	114399-01380	O-RING, TAPPET	1							
7	1	114299-01600	PIN, PARALLEL 8X12	2							
8	1	114299-01800	SHIM SET, PUMP	1							
19	1	114299-01830	COVER, PUMP	1							
20	1	114250-01841	GASKET, COVER	1							
21	1	22312-040080	PIN, PARALLEL M4X 8	2							
22	1	23875-020000	PLUG, R02	1							
23	1	26226-060182	STUD, M6X 18	1							
24	1	26226-060222	STUD, M6X 22	2							
25	1	26366-060002	NUT, M6	3							
27	1	114399-01410	GASKET, CASE COVER	1							
28	1	114210-01450	COVER, CRANK CASE	1							
31	2	114350-02100	METAL, MAIN	1							1
33	1	114299-35150	PIPE, OIL INLET	1							
34	1	26106-080352	BOLT, M8X 35 PLATED	15							
35	1	114350-02200	METAL, MAIN 0.25 US	1							2
36	1	114350-02210	METAL, MAIN 0.50 US	1							3
38	1	114299-02030	RETAINER, BEARING	1							
39	1	114350-02113	BEARING, B35-135G3C3	1							
40	1	160110-02220	SEAL, OIL 30X45X8	1							
41	1	160110-02220	SEAL, OIL 30X45X8	1							
42	1	24162-152116	BEARING, 152116	1							
43	1	26106-080122	BOLT, M8X 12 PLATED	1							

Remarks
 (1)Spare parts.
 (2)Under-sized(U.S.=0.25) parts.
 (3)Under-sized(U.S.=0.50) parts.

OCC50-M01550 ENGINE
 Fig.2. DRAIN PLUG

OCC50-M01550 Fig.2

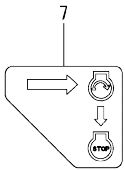
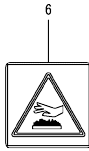
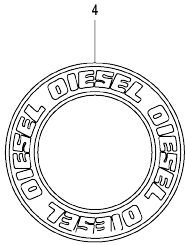
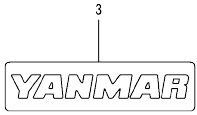


(A)=L70N5FF1C1EA
 (B)=
 (C)=

(D)=
 (E)=
 (F)=

No.	Lev.	Parts No.	Description	Q'ty					
				(A)	(B)	(C)	(D)	(E)	(F)
1	1	114299-01690	PLUG, DRAIN 16	2					
2	1	114699-01760	CAP ASSY, OIL SUPPLY	2					
4	2	114299-01950	O-RING, 18	2					
5	1	22190-160002	WASHER, SEAL 16	2					
7	1	114399-01700	COVER, STARTER	1					
8	1	26106-100122	BOLT, M10X 12 PLATED	2					

Fig.3. LABEL

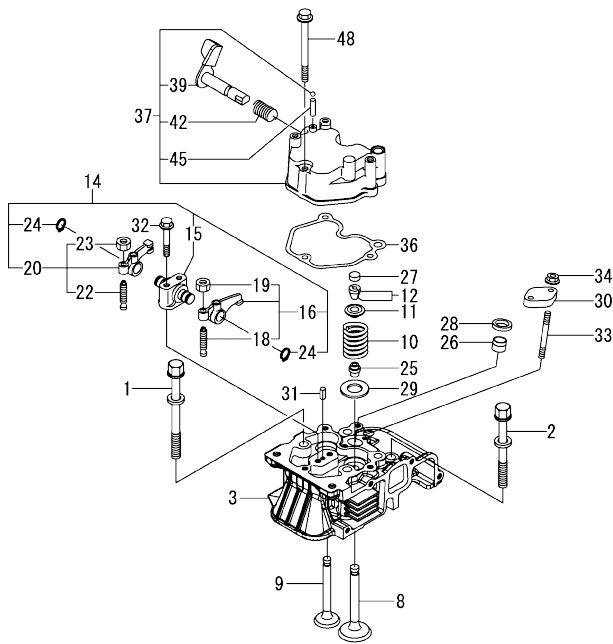


(A)=L70N5FF1C1EA
(B)=
(C)=

(D)=
(E)=
(F)=

No.	Lev.	Parts No.	Description	Q'ty					
				(A)	(B)	(C)	(D)	(E)	(F)
3	1	114299-07111	LABEL, YANMAR MARK B	1					
4	1	114299-07160	LABEL, DIESEL	1					
6	1	114220-07130	LABEL, HOT SURFACE	1					
7	1	114220-07151	LABEL, CONSTANT SPEE	1					

Fig.4. CYLINDER HEAD & BONNET



(A)=L70N5FF1C1EA
(B)=
(C)=

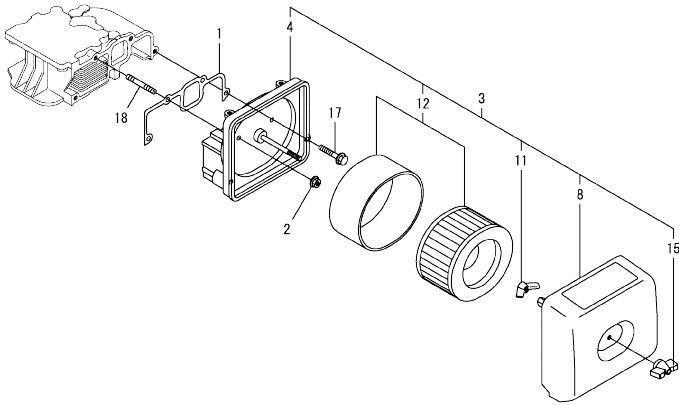
(D)=
(E)=
(F)=

No.	Lev.	Parts No.	Description	Qty						I	R
				(A)	(B)	(C)	(D)	(E)	(F)		
1	1	114210-01200	BOLT, HEAD A	2							
2	1	114210-01210	BOLT, HEAD B	2							
3	1	11422C-11020	HEAD ASSY, CYLINDER	1							
8	1	11421C-11100	VALVE, INTAKE	1							
9	1	11421C-11110	VALVE, EXHAUST	1							
10	1	114210-11120	SPRING, VALVE	2							
11	1	114210-11180	RETAINER, SPRING	2							
12	1	114210-11930	COTTER ASSY	2							
14	1	11421C-11250	SUPPORT ASSY, ARM	1							
15	2	11421C-11260	SUPPORT, ROCKER ARM	1							
16	2	11421C-11650	ARM ASSY, ROCKER	1							
18	3	114250-11240	SCREW, VALVE ADJUST	1							
19	3	26856-060002	NUT, M6	1							
20	2	11421C-11660	ARM ASSY, ROCKER EXH	1							
22	3	114250-11240	SCREW, VALVE ADJUST	1							
23	3	26856-060002	NUT, M6	1							
24	2	22242-000120	RING, 12	2							
25	1	114350-11341	SEAL, VALVE STEM	2							
26	1	114240-11450	PROTECTOR, NOZZLE	1							
27	1	105010-11490	CAP, VALVE	2							
28	1	114240-11550	SEAT, NOZZLE	1							
29	1	114299-11600	WASHER, VALVE SPRING	2							
30	1	114210-11901	RETAINER, VALVE	1							
31	1	22351-040008	PIN, SPRING 4.0X 8	1							
32	1	26106-060402	BOLT, M6X 40 PLATED	2							
33	1	26226-060552	STUD, M6X 55	2							
34	1	26366-060002	NUT, M6	2							
36	1	114210-11310	GASKET, BONNET	1							
37	1	114210-11950	BONNET ASSY, HEAD	1							
39	2	114210-03590	DECOMPRESSION ASSY	1							
42	2	114299-03640	SPRING, DECOMPRESSION	1							
45	2	22312-030160	PIN, PARALLEL M3X16	1							
48	1	26106-060552	BOLT, M6X 55 PLATED	3							

Fig.5. AIR CLEANER

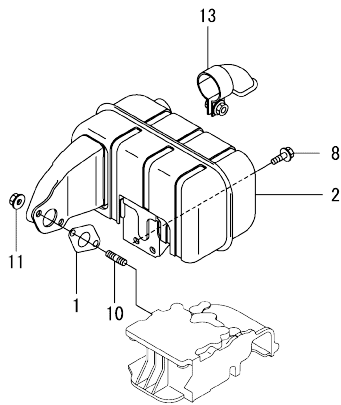
(A)=L70N5FF1C1EA
(B)=
(C)=

(D)=
(E)=
(F)=



No.	Lev.	Parts No.	Description	Q'ty					
				(A)	(B)	(C)	(D)	(E)	(F)
1	1	114210-12210	GASKET, AIR CLEANER	1					
2	1	114299-12300	NUT	3					
3	1	114220-12550	CLEANER ASSY, AIR	1					
4	2	114210-12010	BODY ASSY, CLEANER	1					
8	2	114220-12500	COVER ASSY, CLEANER	1					
11	2	114210-12560	NUT, WING	1					
12	2	114210-12590	ELEMENT ASSY	1					
15	2	114210-12600	KNOB	1					
17	1	26106-060202	BOLT, M6X 20 PLATED	1					
18	1	26226-060302	STUD, M6X 30	3					

Fig.6. EXHAUST MUFFLER



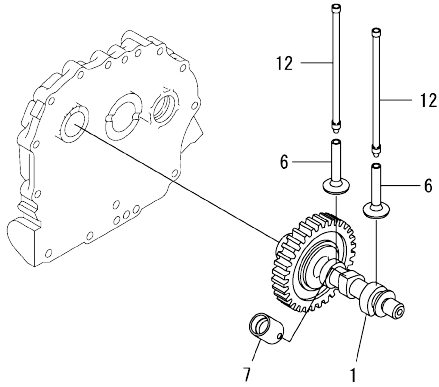
(A)=L70N5FF1C1EA
(B)=
(C)=

(D)=
(E)=
(F)=

No.	Lev.	Parts No.	Description	Q'ty					
				(A)	(B)	(C)	(D)	(E)	(F)
1	1	114299-13200	GASKET, MUFFLER	1					
2	1	11421C-13500	MUFFLER ASSY	1					
8	1	26106-060142	BOLT, M6X 14 PLATED	2					
10	1	26216-080182	STUD, M8X 18	2					
11	1	26306-080002	NUT, M8	2					
13	1	114299-13800	EXTENSION ASSY	1					

OCC50-M01550 ENGINE
 Fig.7. CAMSHAFT

OCC50-M01550 Fig.7



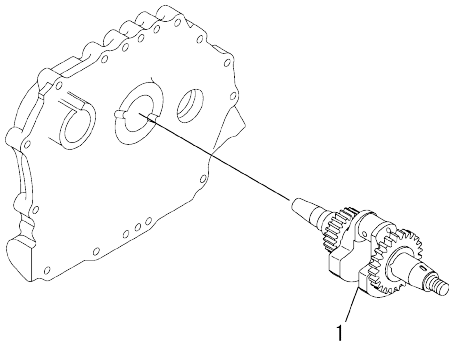
(A)=L70N5FF1C1EA
 (B)=
 (C)=

(D)=
 (E)=
 (F)=

No.	Lev.	Parts No.	Description	Q'ty					
				(A)	(B)	(C)	(D)	(E)	(F)
1	1	11422C-14580	CAMSHAFT ASSY	1					
6	1	114210-14200	TAPPET	2					
7	1	114210-14300	TAPPET ASSY, ROLLER	1					
12	1	114210-14400	ROD ASSY, PUSH	2					

OCC50-M01550 ENGINE

Fig.8. CRANKSHAFT



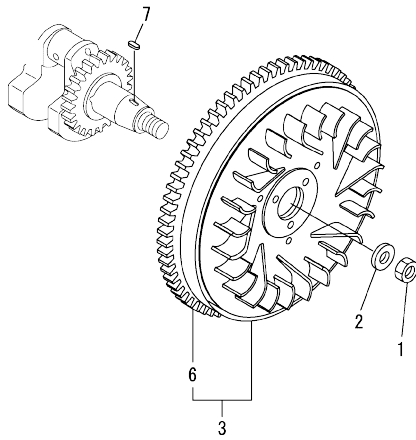
OCC50-M01550 Fig.8

(A)=L70N5FF1C1EA
(B)=
(C)=

(D)=
(E)=
(F)=

No.	Lev.	Parts No.	Description	Q'ty						I	R
				(A)	(B)	(C)	(D)	(E)	(F)		
1	1	114210-21760	CRANKSHAFT ASSY,E-DI	1							

OCC50-M01550 ENGINE
 Fig.9. FLYWHEEL



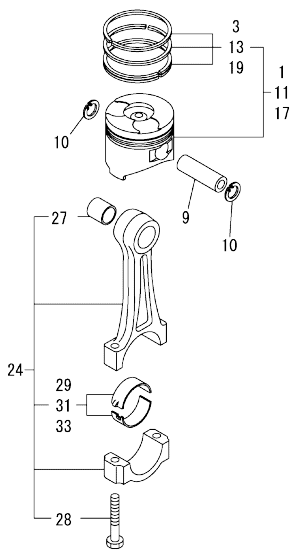
OCC50-M01550 Fig.9

(A)=L70N5FF1C1EA
 (B)=
 (C)=

(D)=
 (E)=
 (F)=

No.	Lev.	Parts No.	Description	Q'ty					
				(A)	(B)	(C)	(D)	(E)	(F)
1	1	114299-21220	NUT, WHEEL	1					
2	1	114299-21550	WASHER, FLYWHEEL	1					
3	1	114399-21590	FLYWHEEL ASSY, DE	1					
6	2	114399-21600	GEAR, RING	1					
7	1	22512-040120	KEY, 4X 12	1					

Fig.10. PISTON & CONNECTING ROD



(A)=L70N5FF1C1EA
(B)=
(C)=

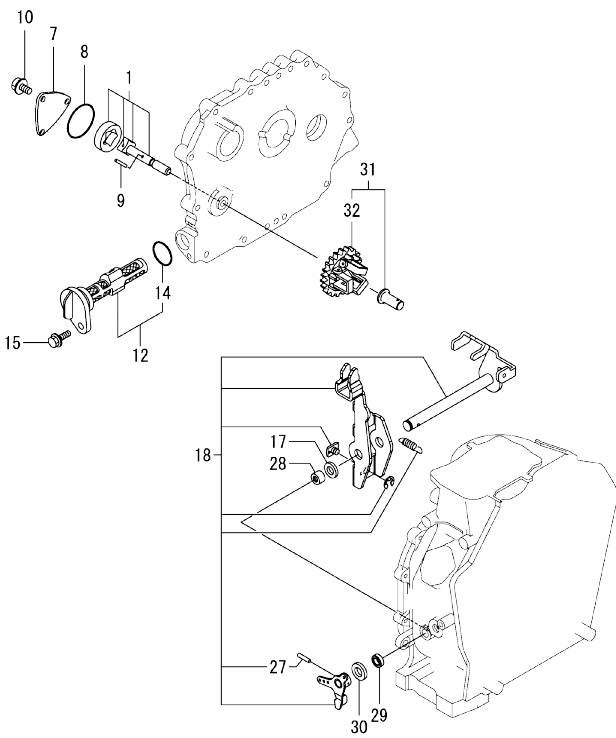
(D)=
(E)=
(F)=

No.	Lev.	Parts No.	Description	Q'ty						I	R
				(A)	(B)	(C)	(D)	(E)	(F)		
1	1	714220-22720	PISTON ASSY, D	1							
3	2	714870-22502	RING SET, PISTON	1							
9	1	114399-22300	PIN, PISTON D=21	1							
10	1	22252-000210	RING, 21	2							
11	1	714220-22620	PISTON ASSY, 0.25 OS	1							1
13	2	714870-22542	RING SET, PISTON .25	1							1
17	1	714220-22580	PISTON ASSY, 0.50 OS	1							2
19	2	714870-22552	RING SET, 0.50 OS	1							2
24	1	71421C-23010	ROD ASSY, CONNECTING	1							
27	3	114380-23100	BEARING, PISTON PIN	1							
28	3	118200-23200	BOLT, CONNECTING ROD	2							
29	2	114210-23600	METAL ASSY, CRANK PIN	1							
31	1	114210-23610	METAL, CRANK PIN .25	1							3
33	1	114210-23620	METAL, CRANK PIN .50	1							4

Remarks

- (1)Over-sized(O.S.=0.25) parts.
- (2)Over-sized(O.S.=0.50) parts.
- (3)Under-sized(U.S.=0.25) parts.
- (4)Under-sized(U.S.=0.50) parts.

Fig.12. LUB. OIL PUMP & GOVERNOR



(A)=L70N5FF1C1EA
(B)=
(C)=

(D)=
(E)=
(F)=

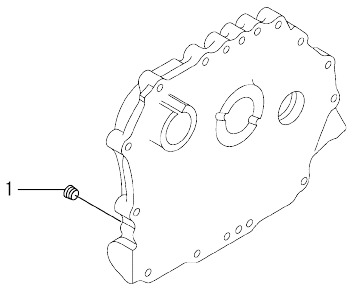
No.	Lev.	Parts No.	Description	Q'ty						I	R
				(A)	(B)	(C)	(D)	(E)	(F)		
1	1	114250-32010	PUMP ASSY, OIL	1							
7	1	114299-32070	COVER, OIL PUMP	1							
8	1	114299-32570	O-RING, PUMP COVER	1							
9	1	22312-030160	PIN, PARALLEL M3X16	1							
10	1	26106-060122	BOLT, M6X 12 PLATED	3							
12	1	114299-35110	FILTER ASSY, OIL	1							
14	2	24341-000224	O-RING, 1AS22.4	1							
15	1	26106-060162	BOLT, M6X 16 PLATED	1							
17	1	114299-61190	WASHER, GOVERNOR	1							
18	1	114211-61500	LEVER ASSY, GOVERNOR	1							1
27	2	22322-030200	PIN, TAPER 3X20	1							
28	1	114770-61520	BEARING, NEEDLE	2							
29	1	114299-61600	SEAL, OIL	1							
30	1	114770-61610	WASHER, THRUST	1							
31	1	714210-61701	GOVERNOR ASSY	1							
32	2	114210-61290	WEIGHT ASSY, GOVERNOR	1							

Remarks

(1) On a guarantee of quality component part shall not be sold.

OCC50-M01550 ENGINE

Fig.13. SWITCH CAP(OIL PRESSURE)



OCC50-M01550 Fig.13

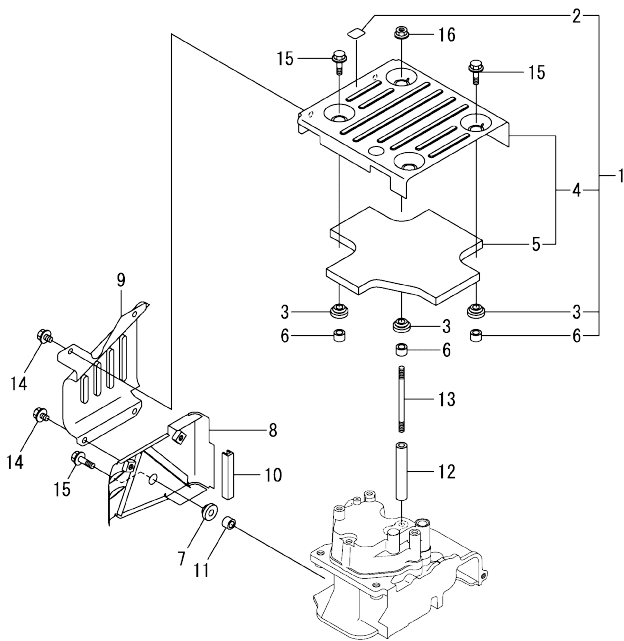
(A)=L70N5FF1C1EA
(B)=
(C)=

(D)=
(E)=
(F)=

No.	Lev.	Parts No.	Description	Q'ty						I	R
				(A)	(B)	(C)	(D)	(E)	(F)		
1	1	23876-010000	PLUG, R01	1							

OCC50-M01550 ENGINE
 Fig.14. COVER

OCC50-M01550 Fig.14

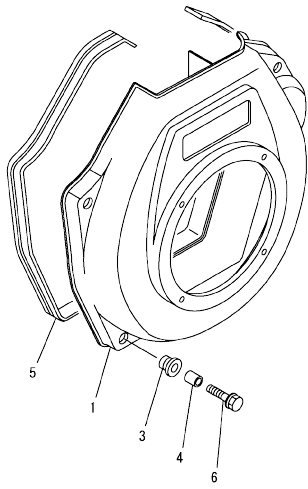


(A)=L70N5FF1C1EA
 (B)=
 (C)=

(D)=
 (E)=
 (F)=

No.	Lev.	Parts No.	Description	Q'ty						I	R
				(A)	(B)	(C)	(D)	(E)	(F)		
1	1	114220-45210	COVER ASSY, TOP	1							
2	2	114220-07120	LABEL, DECOMPRESSION	1							
3	2	114299-45220	GROMMET, TANK	4							
4	2	114210-45320	COVER, TOP	1							
5	3	114210-45310	ACOUSTIC ABSORBENT	1							
6	2	114399-45340	COLLAR	4							
7	1	114299-45220	GROMMET, TANK	1							
8	1	114210-45260	COVER, SIDE B	1							
9	1	114210-45270	COVER, SIDE A	1							
10	1	114399-45320	RUBBER, SEAL	1							
11	1	114399-45340	COLLAR	1							
12	1	114210-45350	SPACER, TOP COVER	1							
13	1	114210-45360	STUD, M6X87	1							
14	1	26106-060082	BOLT, M6X 8 PLATED	4							
15	1	26106-060202	BOLT, M6X 20 PLATED	4							
16	1	26366-060002	NUT, M6	1							

Fig.15. COOLING FAN CASE

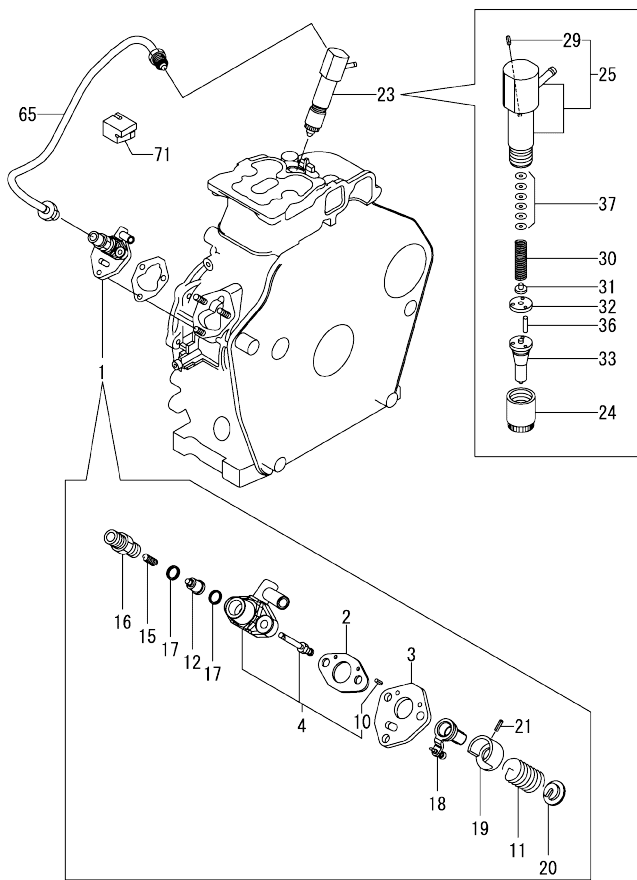


(A)=L70N5FF1C1EA
(B)=
(C)=

(D)=
(E)=
(F)=

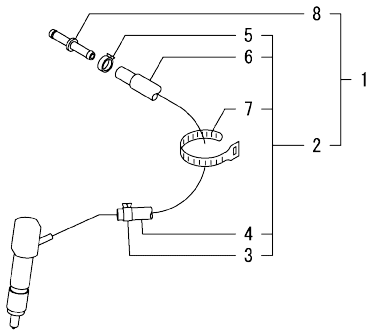
No.	Lev.	Parts No.	Description	Qty						I	R	
				(A)	(B)	(C)	(D)	(E)	(F)			
1	1	114210-45150	CASE, COOLING FAN	1								
3	1	114299-45301	RUBBER, FAN CASE	4								
4	1	114299-45310	COLLAR, FAN CASE	4								
5	1	114299-45331	SEAL, FAN CASE	1								
6	1	114299-45350	BOLT, FAN CASE	4								

Fig.16. FUEL INJECTION PUMP & FUEL INJECTION VALVE



No.	Lev.	Parts No.	Description	Q'ty						I	R
				(A)	(B)	(C)	(D)	(E)	(F)		
1	1	714239-51210	PUMP ASSY, INJECTION	1							
2	2	105546-51020	GASKET, PUMP BODY	1							
3	2	114250-51080	PLATE	1							
4	2	114239-51100	BODY ASSY, PUMP	1							
10	4	22351-020006	PIN, SPRING 2.0X 6	2							
11	2	114250-51160	SPRING, PLUNGER	1							
12	2	114650-51300	VALVE ASSY, DELIVERY	1							
15	2	105546-51330	SPRING, DELIVERY	1							
16	2	114250-51340	HOLDER, DELIVERY	1							
17	2	124550-51350	GASKET, DELIVERY	2							
18	2	114250-51500	LEVER, CONTROL	1							
19	2	114250-51640	SEAT, SPRING A	1							
20	2	114250-51650	SEAT, SPRING B	1							
21	2	22351-030008	PIN, SPRING 3.0X 8	1							
23	1	714239-53200	VALVE ASSY, INJECTION	1							
24	2	114250-53080	NUT, NOZZLE	1							
25	2	114339-53100	HOLDER ASSY, NOZZLE	1							
29	3	22351-025005	PIN, SPRING 2.5X 6	1							
30	2	114250-53120	SPRING, NOZZLE	1							
31	2	114250-53130	SEAT, SPRING	1							
32	2	114250-53140	SPACER, VALVE STOP	1							
33	2	114239-53200	VALVE ASSY, INJECTION	1							
36	2	114250-53210	PIN, POSITIONING	2							
37	2	119803-53400	SHIM SET	1							
65	1	114210-59800	PIPE ASSY, INJECTION	1							
71	1	114210-59850	SUPPORT, PIPE	1							

Fig.17. FUEL PIPE

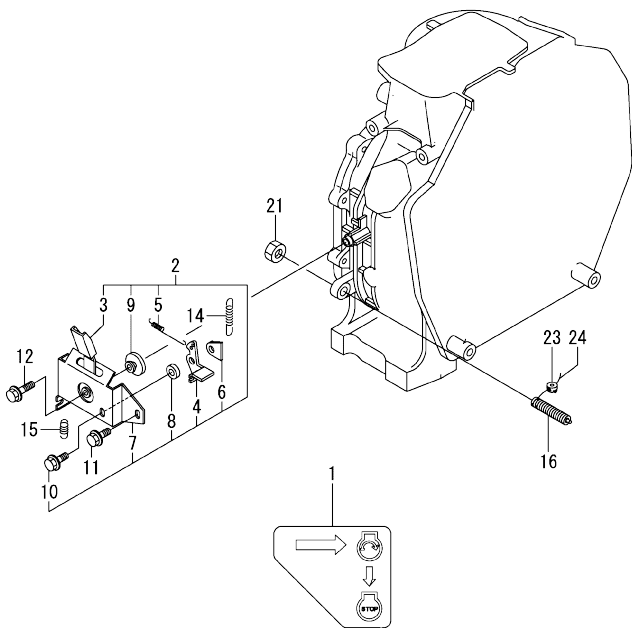


(A)=L70N5FF1C1EA
(B)=
(C)=

(D)=
(E)=
(F)=

No.	Lev.	Parts No.	Description	Q'ty						I	R
				(A)	(B)	(C)	(D)	(E)	(F)		
1	1	114239-59350	PIPE ASSY, RETURN A	1							
1-1	1	114239-59351	PIPE ASSY, FO RETURN	1							N
(A=*2019.03)											
2	2	114239-59300	PIPE ASSY, RETURN	1							
2-1	2	114239-59301	PIPE ASSY, FO RETURN	1							N
(A=*2019.03)											
3	3	124722-59050	CLAMP, HOSE 9	1							
4	3	114650-59060	PIPE, FUEL RETURN	1							
4-1	3	114650-59061	PIPE, FO RETURN	1							N
(A=*2019.03)											
5	3	124066-59100	CLAMP, HOSE 8	1							
6	3	114652-59310	TUBE, PROTECT	1							
7	3	121750-59890	BAND, NYLON	1							
8	2	114210-59710	JOINT, FUEL	1							

Fig.18. CONTROL DEVICE

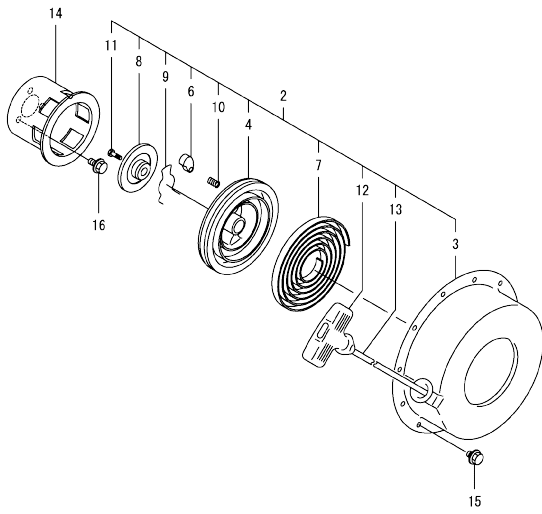


(A)=L70N5FF1C1EA
(B)=
(C)=

(D)=
(E)=
(F)=

No.	Lev.	Parts No.	Description	Q'ty						I	R
				(A)	(B)	(C)	(D)	(E)	(F)		
1	1	114220-07151	LABEL, CONSTANT SPEE	1							
2	1	114210-66511	BRACKET ASSY, HANDLE	1							
3	2	114210-66300	HANDLE, REGULATOR	1							
4	2	183250-66321	LEVER, LOCK	1							
5	2	114210-66330	SPRING, LOCK LEVER	1							
6	2	183250-66341	NUT, DETENT M6	1							
7	2	114210-66350	BRACKET, HANDLE	1							
8	2	183250-66361	COLLAR, LOCK LEVER	1							
9	2	183250-66371	COLLAR, LEVER	1							
10	2	26106-060162	BOLT, M6X 16 PLATED	1							
11	1	26106-060142	BOLT, M6X 14 PLATED	1							
12	1	26106-060202	BOLT, M6X 20 PLATED	1							
14	1	114210-66020	SPRING, REGULATOR	1							
15	1	114299-66201	SPRING, RETURN	1							
16	1	114211-66600	LIMITER ASSY, FUEL	1							
21	1	26776-100002	NUT, LOCK M10	1							
23	1	114780-61090	TIN	1							
24	1	22451-060000	WIRE, 0.6	1							

Fig.19. RECOIL STARTER



(A)=L70N5FF1C1EA
(B)=
(C)=

(D)=
(E)=
(F)=

No.	Lev.	Parts No.	Description	Q'ty					
				(A)	(B)	(C)	(D)	(E)	(F)
2	2	114399-76251	STARTER ASSY, RECOIL	1					
3	3	114399-76510	CASE, STARTER	1					
4	3	114399-76521	REEL, RECOIL STARTER	1					
6	3	114399-76600	RATCHET	1					
7	3	114399-76540	SPRING, SPIRAL	1					
8	3	114399-76550	COVER, RATCHET	1					
9	3	114399-76560	SPRING	1					
10	3	114399-76570	SPRING, RETURN	1					
11	3	114399-76580	SCREW	1					
12	3	114399-76620	KNOB, STARTER	1					
13	3	114399-76630	ROPE, STARTER	1					
14	2	114399-76590	PULLEY, STARTER	1					
15	1	26106-060082	BOLT, M6X 8 PLATED	4					
16	1	26106-060122	BOLT, M6X 12 PLATED	3					

OCC50-M01550 ENGINE
 Fig.20. ACCESSORY



OCC50-M01550 Fig.20

(A)=L70N5FF1C1EA
 (B)=
 (C)=

(D)=
 (E)=
 (F)=

No.	Lev.	Parts No.	Description	Qty						I	R
				(A)	(B)	(C)	(D)	(E)	(F)		
1	1	114220-55810	BOLT, LIFTING	1							1
2	1	22117-080000	WASHER, 8	1							1

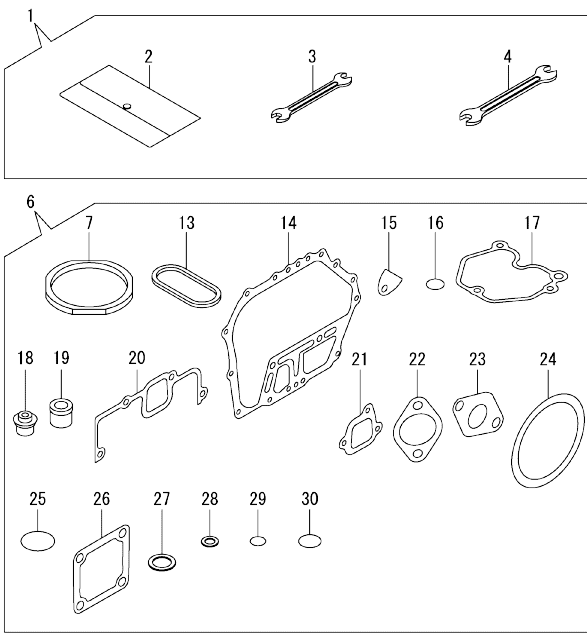
Remarks
 (1)Lifting parts.

N:Old $\frac{New}{Old}$ New. Q:Old $\frac{New}{Old}$ New. R:Old $\frac{New}{Old}$ New. S:Old $\frac{New}{Old}$ New. W:Add. Z:Discontinued. F:Interchangeable by set. K:Qty Change
 Copyright (C) 2018 YANMAR CO., LTD. All Rights Reserved.

Fig.21. GASKET SET & TOOL

(A)=L70N5FF1C1EA
(B)=
(C)=

(D)=
(E)=
(F)=



No.	Lev.	Parts No.	Description	Q'ty						I	R
				(A)	(B)	(C)	(D)	(E)	(F)		
1	1	114299-92590	TOOL ASSY	1							
2	2	114299-92600	BAG, TOOL	1							
3	2	114299-92710	WRENCH	1							
4	2	114299-92720	WRENCH	1							
6	1	114220-92600	GASKET SET	1							1
7	2	114395-01331	GASKET, HEAD	1							
13	2	114399-01380	O-RING, TAPPET	1							
14	2	114399-01410	GASKET, CASE COVER	1							
15	2	114250-01841	GASKET, COVER	1							
16	2	114299-01950	O-RING, 18	2							
17	2	114210-11310	GASKET, BONNET	1							
18	2	114350-11341	SEAL, VALVE STEM	2							
19	2	114771-11461	GASKET, NOZZLE	1							
20	2	114210-12210	GASKET, AIR CLEANER	1							
21	2	114299-12210	GASKET, AIR CLEANER	2							
22	2	114299-12920	GASKET, AIR CLEANER	1							
23	2	114299-13200	GASKET, MUFFLER	1							
24	2	114399-21980	GASKET	1							
25	2	114299-32570	O-RING, PUMP COVER	1							
26	2	129100-77510	GASKET, AIR HEATER	3							
27	2	22190-160002	WASHER, SEAL 16	2							
28	2	23414-080000	GASKET, 8X1.0	1							
29	2	24341-000150	O-RING, 1AS15.0	1							
30	2	24341-000224	O-RING, 1AS22.4	1							

Remarks

(1)Optional parts.

Parts No. Index

Parts No.	Fig. No.	Ref. No.
105010-11490	4	27
105546-51020	16	2
105546-51330	16	15
114210-01020	1	1
114210-01200	4	1
114210-01210	4	2
114210-01450	1	28
114210-03590	4	39
114210-11120	4	10
114210-11180	4	11
114210-11310	4	36
	21	17
114210-11901	4	30
114210-11930	4	12
114210-11950	4	37
114210-12010	5	4
114210-12210	5	1
	21	20
114210-12560	5	11
114210-12590	5	12
114210-12600	5	15
114210-14200	7	6
114210-14300	7	7
114210-14400	7	12
114210-21760	8	1
114210-23600	10	29
114210-23610	10	31
114210-23620	10	33
114210-28050	11	6
114210-45150	15	1
114210-45260	14	8
114210-45270	14	9
114210-45310	14	5
114210-45320	14	4
114210-45350	14	12
114210-45360	14	13
114210-59710	17	8
114210-59800	16	65
114210-59850	16	71
114210-61290	12	32
114210-66020	18	14
114210-66300	18	3
114210-66330	18	5
114210-66350	18	7
114210-66511	18	2
114211-61500	12	18
114211-66600	18	16
11421C-11100	4	8
11421C-11110	4	9
11421C-11250	4	14

Parts No.	Fig. No.	Ref. No.
11421C-11260	4	15
11421C-11650	4	16
11421C-11660	4	20
11421C-13500	6	2
114220-07120	14	2
114220-07130	3	6
114220-07151	3	7
	18	1
114220-12500	5	8
114220-12550	5	3
114220-45210	14	1
114220-55810	20	1
114220-92600	21	6
11422C-11020	4	3
11422C-14580	7	1
114239-51100	16	4
114239-53200	16	33
114239-59300	17	2
114239-59301	17	2 -1
114239-59350	17	1
114239-59351	17	1 -1
114240-11450	4	26
114240-11550	4	28
114250-01841	1	20
	21	15
114250-11240	4	18
		22
114250-32010	12	1
114250-51080	16	3
114250-51160	16	11
114250-51340	16	16
114250-51500	16	18
114250-51640	16	19
114250-51650	16	20
114250-53080	16	24
114250-53120	16	30
114250-53130	16	31
114250-53140	16	32
114250-53210	16	36
114299-01600	1	7
114299-01690	2	1
114299-01800	1	8
114299-01830	1	19
114299-01950	2	4
	21	16
114299-02030	1	38
114299-03640	4	42
114299-07111	3	3
114299-07160	3	4
114299-11600	4	29

Parts No.	Fig. No.	Ref. No.
114299-12210	21	21
114299-12300	5	2
114299-12920	21	22
114299-13200	6	1
	21	23
114299-13800	6	13
114299-21220	9	1
114299-21550	9	2
114299-32070	12	7
114299-32570	12	8
	21	25
114299-35110	12	12
114299-35150	1	33
114299-45220	14	3
		7
114299-45301	15	3
114299-45310	15	4
114299-45331	15	5
114299-45350	15	6
114299-61190	12	17
114299-61600	12	29
114299-66201	18	15
114299-92590	21	1
114299-92600	21	2
114299-92710	21	3
114299-92720	21	4
114339-53100	16	25
114350-02100	1	31
114350-02113	1	39
114350-02200	1	35
114350-02210	1	36
114350-11341	4	25
	21	18
114380-23100	10	27
114395-01331	21	7
114395-01341	1	5
114399-01380	1	6
	21	13
114399-01410	1	27
	21	14
114399-01700	2	7
114399-21590	9	3
114399-21600	9	6
114399-21980	21	24
114399-22300	10	9
114399-45320	14	10
114399-45340	14	6
		11
114399-76251	19	2
114399-76510	19	3

Parts No.	Fig. No.	Ref. No.
114399-76521	19	4
114399-76540	19	7
114399-76550	19	8
114399-76560	19	9
114399-76570	19	10
114399-76580	19	11
114399-76590	19	14
114399-76600	19	6
114399-76620	19	12
114399-76630	19	13
114650-51300	16	12
114650-59060	17	4
114650-59061	17	4 -1
114652-59310	17	6
114699-01760	2	2
114770-61520	12	28
114770-61610	12	30
114771-11461	21	19
114780-61090	18	23
118200-23200	10	28
119803-53400	16	37
121750-59890	17	7
124066-59100	17	5
124550-51350	16	17
124722-59050	17	3
129100-77510	21	26
160110-02220	1	40
		41
183250-66321	18	4
183250-66341	18	6
183250-66361	18	8
183250-66371	18	9
22117-080000	20	2
22190-160002	2	5
	21	27
22242-000120	4	24
22252-000210	10	10
22312-030160	4	45
	12	9
22312-040080	1	21
22322-030200	12	27
22351-020006	16	10
22351-025005	16	29
22351-030008	16	21
22351-040008	4	31
22451-060000	18	24
22512-040120	9	7
23414-080000	21	28
23875-020000	1	22
23876-010000	13	1

Parts No. Index

Parts No.	Fig. No.	Ref. No.
24162-152116	1	42
24341-000150	21	29
24341-000224	12	14
	21	30
26106-060082	14	14
	19	15
26106-060122	12	10
	19	16
26106-060142	6	8
	18	11
26106-060162	12	15
	18	10
26106-060202	5	17
	14	15
	18	12
26106-060402	4	32
26106-060552	4	48
26106-080122	1	43
26106-080352	1	34
26106-100122	2	8
26216-080182	6	10
26226-060182	1	23
26226-060222	1	24
26226-060302	5	18
26226-060552	4	33
26306-080002	6	11
26366-060002	1	25
	4	34
	14	16
26776-100002	18	21
26856-060002	4	19
		23
714210-28510	11	1
714210-61701	12	31
71421C-23010	10	24
714220-22580	10	17
714220-22620	10	11
714220-22720	10	1
714239-51210	16	1
714239-53200	16	23
714870-22502	10	3
714870-22542	10	13
714870-22552	10	19

Parts No.	Fig. No.	Ref. No.
-----------	----------	----------

Parts No.	Fig. No.	Ref. No.
-----------	----------	----------

Parts No.	Fig. No.	Ref. No.
-----------	----------	----------