

0CC50-M01750EN

P R E F A C E

This parts catalog is the 1st edition of L70N5CN8C9CAKA for KAERCHER.

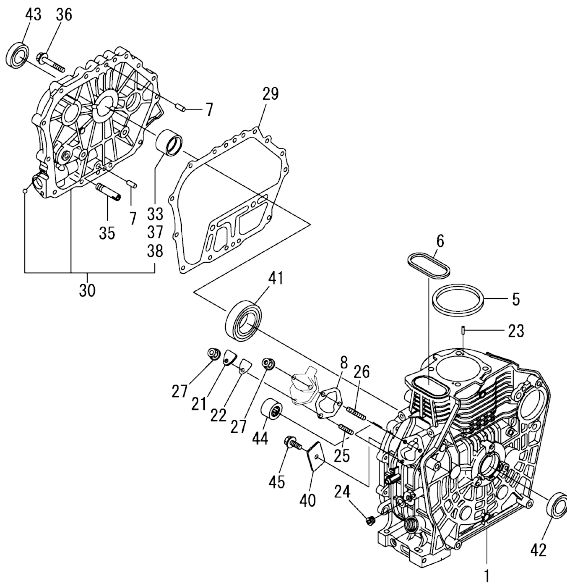
Published : July, 2019

Contents

0CC50-M01750

Fig. No.	Fig. Name	Fig. No.	Fig. Name
ENGINE			
1.	CYLINDER BLOCK		
2.	DRAIN PLUG		
3.	LABEL		
4.	CYLINDER HEAD & BONNET		
5.	AIR CLEANER		
6.	EXHAUST MUFFLER		
7.	CAMSHAFT		
8.	CRANKSHAFT		
9.	FLYWHEEL		
10.	PISTON & CONNECTING ROD		
11.	BALANCER SHAFT		
12.	LUB. OIL PUMP & GOVERNOR		
13.	SWITCH(OIL PRESSURE)		
14.	COVER		
15.	COOLING FAN CASE		
16.	FUEL INJECTION PUMP & FUEL INJECTION VALVE		
17.	FUEL TANK & FUEL PIPE		
18.	CONTROL DEVICE		
19.	STARTER MOTOR		
20.	ACCESSORY		
21.	GASKET SET & TOOL		

Fig.1. CYLINDER BLOCK



(A)=L70N5CN8C9CAKA
(B)=
(C)=

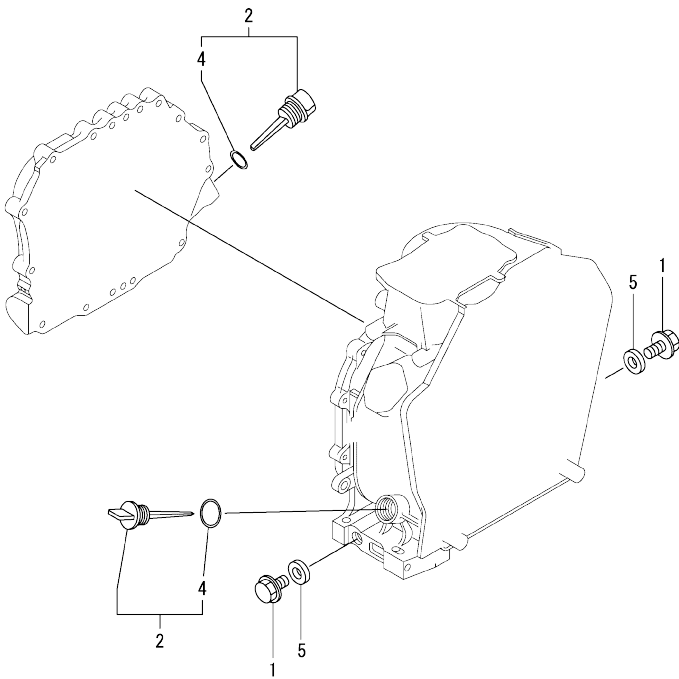
(D)=
(E)=
(F)=

No.	Lev.	Parts No.	Description	Q'ty						I	R
				(A)	(B)	(C)	(D)	(E)	(F)		
1	1	114210-01020	BLOCK ASSY, CYLINDER	1							
5	1	114395-01341	GASKET, HEAD 0.5	1							
6	1	114399-01380	O-RING, TAPPET	1							
7	1	114299-01600	PIN, PARALLEL 8X12	2							
8	1	114299-01800	SHIM SET, PUMP	1							
21	1	114299-01830	COVER, PUMP	1							
22	1	114250-01841	GASKET, COVER	1							
23	1	22312-040080	PIN, PARALLEL M4X 8	2							
24	1	23875-020000	PLUG, R02	1							
25	1	26226-060182	STUD, M6X 18	1							
26	1	26226-060222	STUD, M6X 22	2							
27	1	26366-060002	NUT, M6	3							
29	1	114399-01410	GASKET, CASE COVER	1							
30	1	114211-01450	COVER, CRANK CASE	1							
33	2	114840-02110	BEARING, MAIN	1							1
35	1	114299-35150	PIPE, OIL INLET	1							
36	1	26106-080352	BOLT, M8X 35 PLATED	15							
37	1	114840-02200	BEARING, MAIN 0.25OS	1							2
38	1	114840-02210	BEARING, MAIN 0.50OS	1							3
40	1	114299-02030	RETAINER, BEARING	1							
41	1	114350-02113	BEARING, B35-135G3C3	1							
42	1	160110-02220	SEAL, OIL 30X45X8	1							
43	1	160110-02220	SEAL, OIL 30X45X8	1							
44	1	24162-152116	BEARING, 152116	1							
45	1	26106-080122	BOLT, M8X 12 PLATED	1							

Remarks

- (1) Spare parts.
- (2) Over-sized (O.S.=0.25) parts.
- (3) Over-sized (O.S.=0.50) parts.

OCC50-M01750 ENGINE
 Fig.2. DRAIN PLUG



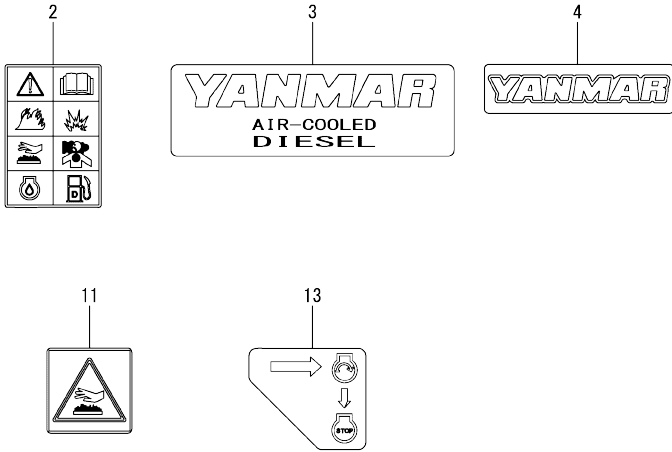
OCC50-M01750 Fig.2

(A)=L70N5CN8C9CAKA
 (B)=
 (C)=

(D)=
 (E)=
 (F)=

No.	Lev.	Parts No.	Description	Q'ty					
				(A)	(B)	(C)	(D)	(E)	(F)
1	1	114299-01690	PLUG, DRAIN 16	2					
2	1	114699-01760	CAP ASSY, OIL SUPPLY	2					
4	2	114299-01950	O-RING, 18	2					
5	1	22190-160002	WASHER, SEAL 16	2					

Fig.3. LABEL

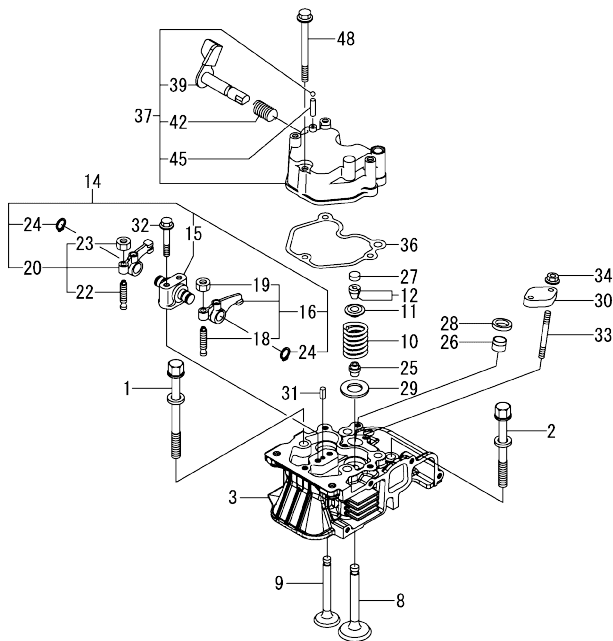


(A)=L70N5CN8C9CAKA
(B)=
(C)=

(D)=
(E)=
(F)=

No.	Lev.	Parts No.	Description	Q'ty					
				(A)	(B)	(C)	(D)	(E)	(F)
2	1	114220-07100	LABEL, CAUTION	1					
3	1	114299-07101	LABEL, YANMAR MARK A	1					
4	1	114299-07111	LABEL, YANMAR MARK B	1					
11	1	114220-07130	LABEL, HOT SURFACE	1					
13	1	114220-07151	LABEL, CONSTANT SPEE	1					

Fig.4. CYLINDER HEAD & BONNET

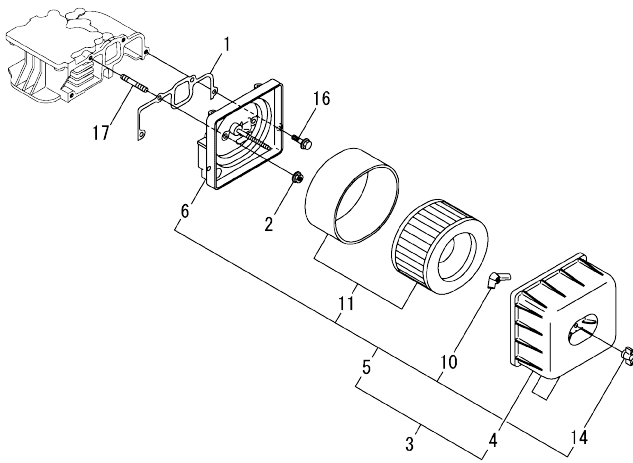


(A)=L70N5CN8C9CAKA
(B)=
(C)=

(D)=
(E)=
(F)=

No.	Lev.	Parts No.	Description	Qty						I	R
				(A)	(B)	(C)	(D)	(E)	(F)		
1	1	114210-01200	BOLT, HEAD A	2							
2	1	114210-01210	BOLT, HEAD B	2							
3	1	11422C-11020	HEAD ASSY, CYLINDER	1							
8	1	11421C-11100	VALVE, INTAKE	1							
9	1	11421C-11110	VALVE, EXHAUST	1							
10	1	114210-11120	SPRING, VALVE	2							
11	1	114210-11180	RETAINER, SPRING	2							
12	1	114210-11930	COTTER ASSY	2							
14	1	11421C-11250	SUPPORT ASSY, ARM	1							
15	2	11421C-11260	SUPPORT, ROCKER ARM	1							
16	2	11421C-11650	ARM ASSY, ROCKER	1							
18	3	114250-11240	SCREW, VALVE ADJUST	1							
19	3	26856-060002	NUT, M6	1							
20	2	11421C-11660	ARM ASSY, ROCKER EXH	1							
22	3	114250-11240	SCREW, VALVE ADJUST	1							
23	3	26856-060002	NUT, M6	1							
24	2	22242-000120	RING, 12	2							
25	1	114350-11341	SEAL, VALVE STEM	2							
26	1	114240-11450	PROTECTOR, NOZZLE	1							
27	1	105010-11490	CAP, VALVE	2							
28	1	114240-11550	SEAT, NOZZLE	1							
29	1	114299-11600	WASHER, VALVE SPRING	2							
30	1	114210-11901	RETAINER, VALVE	1							
31	1	22351-040008	PIN, SPRING 4.0X 8	1							
32	1	26106-060402	BOLT, M6X 40 PLATED	2							
33	1	26226-060552	STUD, M6X 55	2							
34	1	26366-060002	NUT, M6	2							
36	1	114210-11310	GASKET, BONNET	1							
37	1	114210-11950	BONNET ASSY, HEAD	1							
39	2	114210-03590	DECOMPRESSION ASSY	1							
42	2	114299-03640	SPRING, DECOMPRESSION	1							
45	2	22312-030160	PIN, PARALLEL M3X16	1							
48	1	26106-060552	BOLT, M6X 55 PLATED	3							

Fig.5. AIR CLEANER



(A)=L70N5CN8C9CAKA
(B)=
(C)=

(D)=
(E)=
(F)=

No.	Lev.	Parts No.	Description	Q'ty						I	R
				(A)	(B)	(C)	(D)	(E)	(F)		
1	1	114210-12210	GASKET, AIR CLEANER	1							
2	1	114299-12300	NUT	3							
3	1	114220-12510	CLEANER ASSY, AIR	1							
4	2	114239-12520	COVER, AIR CLEANER	1							
5	2	114220-12910	CLEANER ASSY, AIR	1							
6	3	114220-12010	BODY ASSY, CLEANER	1							
10	3	114210-12560	NUT, WING	1							
11	3	114210-12590	ELEMENT ASSY	1							
14	3	114210-12600	KNOB	1							
16	1	26106-060202	BOLT, M6X 20 PLATED	1							
17	1	26226-060302	STUD, M6X 30	3							

OCC50-M01750 ENGINE

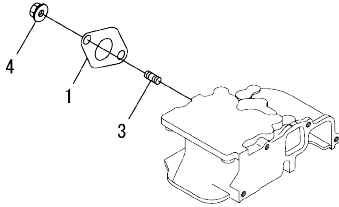
Fig.6. EXHAUST MUFFLER

OCC50-M01750 Fig.6

(A)=L70N5CN8C9CAKA
(B)=
(C)=

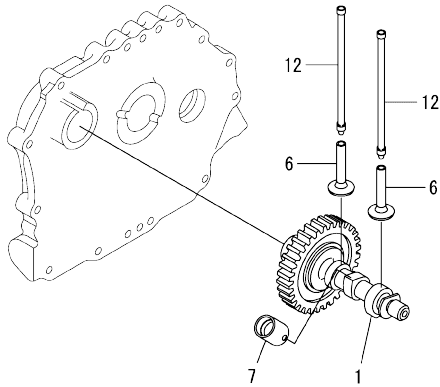
(D)=
(E)=
(F)=

No.	Lev.	Parts No.	Description	Q'ty					
				(A)	(B)	(C)	(D)	(E)	(F)
1	1	114299-13200	GASKET, MUFFLER	1	1				
3	1	26216-080182	STUD, M8X 18	2	2				
4	1	26306-080002	NUT, M8	2	2				



OCC50-M01750 ENGINE
 Fig.7. CAMSHAFT

OCC50-M01750 Fig.7

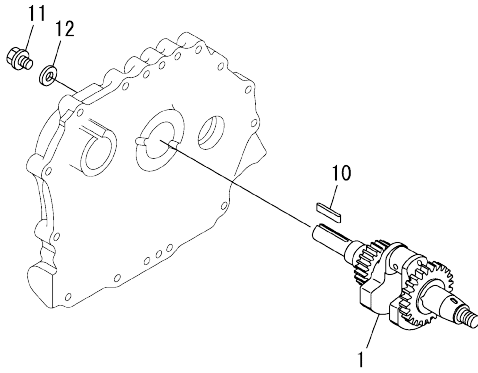


(A)=L70N5CN8C9CAKA
 (B)=
 (C)=

(D)=
 (E)=
 (F)=

No.	Lev.	Parts No.	Description	Q'ty					
				(A)	(B)	(C)	(D)	(E)	(F)
1	1	71422C-14580	CAMSHAFT ASSY	1					
6	1	114210-14200	TAPPET	2					
7	1	114210-14300	TAPPET ASSY, ROLLER	1					
12	1	114210-14400	ROD ASSY, PUSH	2					

Fig.8. CRANKSHAFT

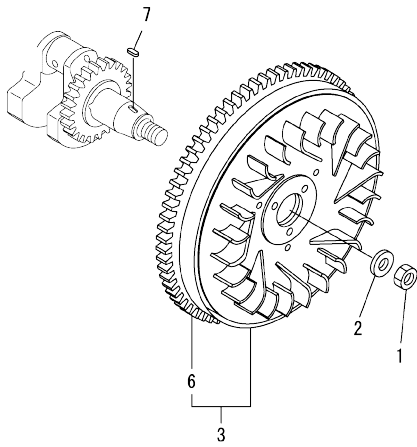


(A)=L70N5CN8C9CAKA
(B)=
(C)=

(D)=
(E)=
(F)=

No.	Lev.	Parts No.	Description	Q'ty					
				(A)	(B)	(C)	(D)	(E)	(F)
1	1	11421C-21830	CRANKSHAFT ASSY, E-D	1					
10	1	160842-21150	KEY, FEATHER 6.3X50	1					
11	1	160842-21250	BOLT, 7/16-20UNF	1					
12	1	160842-21260	WASHER, PULLEY	1					

OCC50-M01750 ENGINE
 Fig.9. FLYWHEEL



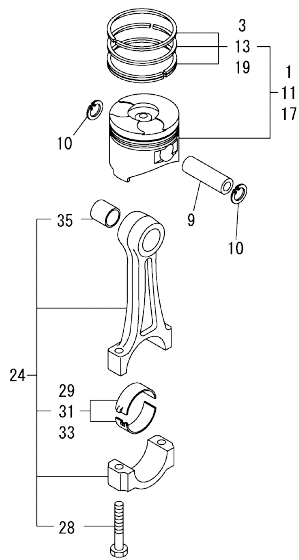
OCC50-M01750 Fig.9

(A)=L70N5CN8C9CAKA
 (B)=
 (C)=

(D)=
 (E)=
 (F)=

No.	Lev.	Parts No.	Description	Q'ty					
				(A)	(B)	(C)	(D)	(E)	(F)
1	1	114299-21220	NUT, WHEEL	1					
2	1	114299-21550	WASHER, FLYWHEEL	1					
3	1	114399-21590	FLYWHEEL ASSY, DE	1					
6	2	114399-21600	GEAR, RING	1					
7	1	22512-040120	KEY, 4X 12	1					

Fig.10. PISTON & CONNECTING ROD



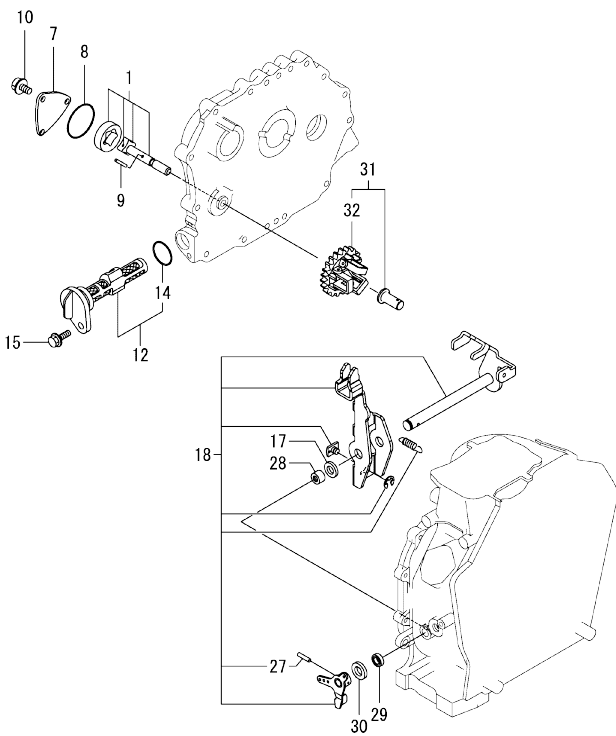
(A)=L70N5CN8C9CAKA
(B)=
(C)=

(D)=
(E)=
(F)=

No.	Lev.	Parts No.	Description	Q'ty						I	R
				(A)	(B)	(C)	(D)	(E)	(F)		
1	1	714220-22720	PISTON ASSY, D	1							
3	2	714870-22502	RING SET, PISTON	1							
9	1	114399-22300	PIN, PISTON D=21	1							
10	1	22252-000210	RING, 21	2							
11	1	714220-22620	PISTON ASSY, 0.25 OS	1							1
13	2	714870-22542	RING SET, PISTON .25	1							1
17	1	714220-22580	PISTON ASSY, 0.50 OS	1							2
19	2	714870-22552	RING SET, 0.50 OS	1							2
24	1	11422C-23700	ROD ASSY, CONNECTING	1							
28	3	118200-23200	BOLT, CONNECTING ROD	2							
29	2	114840-23600	METAL, CRANK PIN	1							
31	1	114840-23610	METAL, CRANK PIN 0.25	1							1
33	1	114840-23620	METAL, CRANK PIN 0.50	1							2
35	1	114840-23910	BUSH, PISTON PINN	1							3

Remarks
(1)Over-sized(O.S.=0.25) parts.
(2)Over-sized(O.S.=0.50) parts.
(3)Spare parts.

Fig.12. LUB. OIL PUMP & GOVERNOR



(A)=L70N5CN8C9CAKA
(B)=
(C)=

(D)=
(E)=
(F)=

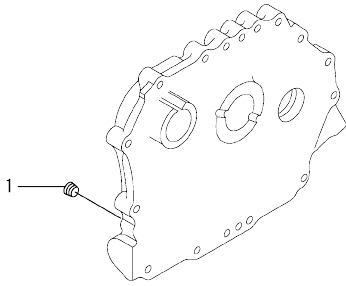
No.	Lev.	Parts No.	Description	Q'ty						I	R
				(A)	(B)	(C)	(D)	(E)	(F)		
1	1	114250-32010	PUMP ASSY, OIL	1							
7	1	114299-32070	COVER, OIL PUMP	1							
8	1	114299-32570	O-RING, PUMP COVER	1							
9	1	22312-030160	PIN, PARALLEL M3X16	1							
10	1	26106-060122	BOLT, M6X 12 PLATED	3							
12	1	114299-35110	FILTER ASSY, OIL	1							
14	2	24341-000224	O-RING, 1AS22.4	1							
15	1	26106-060162	BOLT, M6X 16 PLATED	1							
17	1	114299-61190	WASHER, GOVERNOR	1							
18	1	114211-61500	LEVER ASSY, GOVERNOR	1							1
27	2	22322-030200	PIN, TAPER 3X20	1							
28	1	114770-61520	BEARING, NEEDLE	2							
29	1	114299-61600	SEAL, OIL	1							
30	1	114770-61610	WASHER, THRUST	1							
31	1	714210-61701	GOVERNOR ASSY	1							
32	2	114210-61290	WEIGHT ASSY, GOVERNOR	1							

Remarks

(1) On a guarantee of quality, component parts shall not be sold.

OCC50-M01750 ENGINE

Fig.13. SWITCH(OIL PRESSURE)



OCC50-M01750 Fig.13

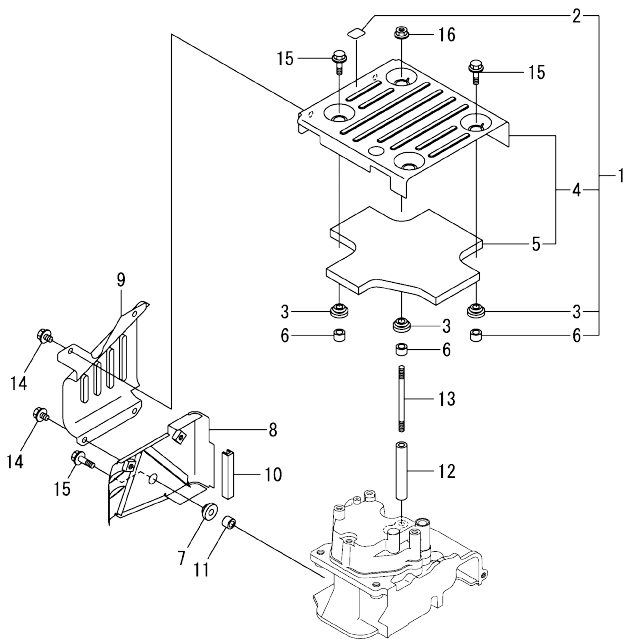
(A)=L70N5CN8C9CAKA
(B)=
(C)=

(D)=
(E)=
(F)=

No.	Lev.	Parts No.	Description	Q'ty						I	R
				(A)	(B)	(C)	(D)	(E)	(F)		
1	1	23876-010000	PLUG, R01	1							

OCC50-M01750 ENGINE
 Fig.14. COVER

OCC50-M01750 Fig.14

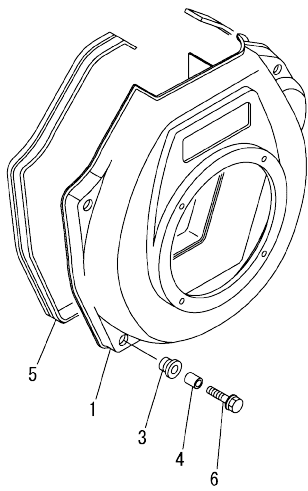


(A)=L70N5CN8C9CAKA
 (B)=
 (C)=

(D)=
 (E)=
 (F)=

No.	Lev.	Parts No.	Description	Q'ty					
				(A)	(B)	(C)	(D)	(E)	(F)
1	1	114220-45210	COVER ASSY, TOP	1					
2	2	114220-07120	LABEL, DECOMPRESSION	1					
3	2	114299-45220	GROMMET, TANK	4					
4	2	114210-45320	COVER, TOP	1					
5	3	114210-45310	ACOUSTIC ABSORBENT	1					
6	2	114399-45340	COLLAR	4					
7	1	114299-45220	GROMMET, TANK	1					
8	1	114210-45260	COVER, SIDE B	1					
9	1	114210-45270	COVER, SIDE A	1					
10	1	114399-45320	RUBBER, SEAL	1					
11	1	114399-45340	COLLAR	1					
12	1	114210-45350	SPACER, TOP COVER	1					
13	1	114210-45360	STUD, M6X87	1					
14	1	26106-060082	BOLT, M6X 8 PLATED	4					
15	1	26106-060202	BOLT, M6X 20 PLATED	4					
16	1	26366-060002	NUT, M6	1					

Fig.15. COOLING FAN CASE

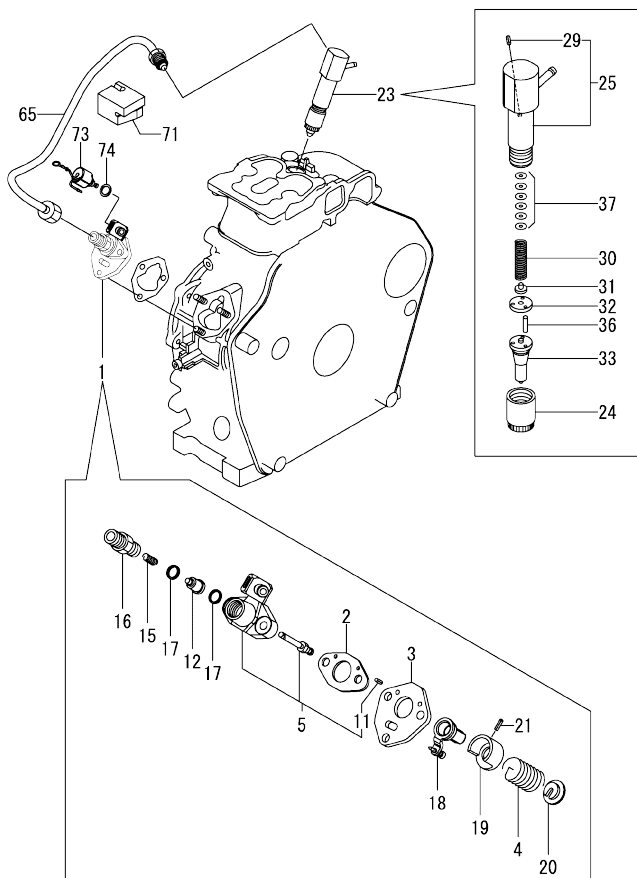


(A)=L70N5CN8C9CAKA
(B)=
(C)=

(D)=
(E)=
(F)=

No.	Lev.	Parts No.	Description	Qty						I	R
				(A)	(B)	(C)	(D)	(E)	(F)		
1	1	114210-45150	CASE, COOLING FAN	1							
3	1	114299-45301	RUBBER, FAN CASE	4							
4	1	114299-45310	COLLAR, FAN CASE	4							
5	1	114299-45331	SEAL, FAN CASE	1							
6	1	114299-45350	BOLT, FAN CASE	4							

Fig.16. FUEL INJECTION PUMP & FUEL INJECTION VALVE

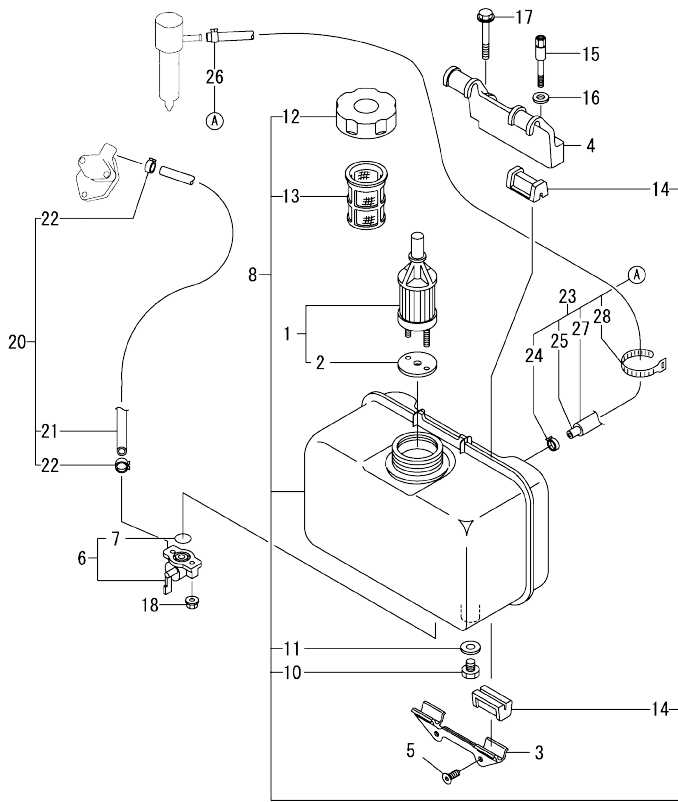


(A)=L70N5CN8C9CAKA
(B)=
(C)=

(D)=
(E)=
(F)=

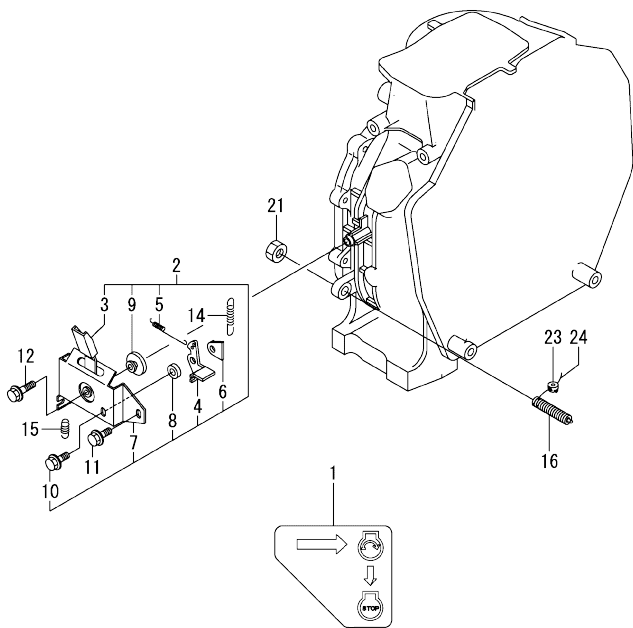
No.	Lev.	Parts No.	Description	Q'ty						I	R
				(A)	(B)	(C)	(D)	(E)	(F)		
1	1	714239-51310	PUMP ASSY, INJECTION	1							
2	2	105546-51020	GASKET, PUMP BODY	1							
3	2	114250-51080	PLATE	1							
4	2	114250-51160	SPRING, PLUNGER	1							
5	2	114239-51200	BODY ASSY, PUMP	1							
11	4	22351-020006	PIN, SPRING 2.0X 6	2							
12	2	114650-51300	VALVE ASSY, DELIVERY	1							
15	2	105546-51330	SPRING, DELIVERY	1							
16	2	114250-51340	HOLDER, DELIVERY	1							
17	2	124550-51350	GASKET, DELIVERY	2							
18	2	114250-51500	LEVER, CONTROL	1							
19	2	114250-51640	SEAT, SPRING A	1							
20	2	114250-51650	SEAT, SPRING B	1							
21	2	22351-030008	PIN, SPRING 3.0X 8	1							
23	1	714239-53200	VALVE ASSY, INJECTION	1							
24	2	114250-53080	NUT, NOZZLE	1							
25	2	114339-53100	HOLDER ASSY, NOZZLE	1							
29	3	22351-025005	PIN, SPRING 2.5X 6	1							
30	2	114250-53120	SPRING, NOZZLE	1							
31	2	114250-53130	SEAT, SPRING	1							
32	2	114250-53140	SPACER, VALVE STOP	1							
33	2	114239-53200	VALVE ASSY, INJECTION	1							
36	2	114250-53210	PIN, POSITIONING	2							
37	2	119803-53400	SHIM SET	1							
65	1	114210-59800	PIPE ASSY, INJECTION	1							
71	1	114210-59850	SUPPORT, PIPE	1							
73	1	114110-76910	VALVE ASSY, FUEL CUT	1							
74	1	114299-83020	GASKET, 10X12	1							

Fig.17. FUEL TANK & FUEL PIPE



No.	Lev.	Parts No.	Description	Q'ty						I	R
				(A)	(B)	(C)	(D)	(E)	(F)		
1	1	114250-55122	FILTER ASSY,FUEL OIL	1							
2	2	114250-55130	GASKET	1							
3	1	114210-55220	STAY, FUEL TANK A	1							
4	1	114210-55230	STAY, FUEL TANK B	1							
5	1	114210-55300	BOLT	2							
6	1	114240-55300	COCK ASSY, FUEL	1							
7	2	24311-000125	O-RING, 1AP12.5	1							
8	1	11422C-55710	TANK ASSY, FUEL	1							
10	2	114299-55080	PLUG, DRAIN	1							
11	2	23414-080000	GASKET, 8X1.0	1							
12	2	114299-55040	CAP ASSY, FUEL TANK	1							
13	2	114299-55110	STRAINER, FUEL TANK	1							
14	2	114740-55200	DAMPER, FUEL TANK	4							
15	1	114210-55810	BOLT, LIFTING	1							
16	1	22117-080000	WASHER, 8	1							
17	1	26106-080452	BOLT, M8X 45 PLATED	1							
18	1	26366-060002	NUT, M6	2							
20	1	114780-59010	PIPE ASSY, FUEL L50	1							
21	2	114780-59060	PIPE, FUEL L=50	1							
22	2	23080-014000	CLAMP, 14	2							
23	1	114239-59301	PIPE ASSY, FO RETURN	1							
24	2	124722-59050	CLAMP, HOSE 9	1							
25	2	114650-59061	PIPE, FO RETURN	1							
26	2	124066-59100	CLAMP, HOSE 8	1							
27	2	114652-59310	TUBE, PROTECT	1							
28	2	121750-59890	BAND, NYLON	1							

Fig.18. CONTROL DEVICE

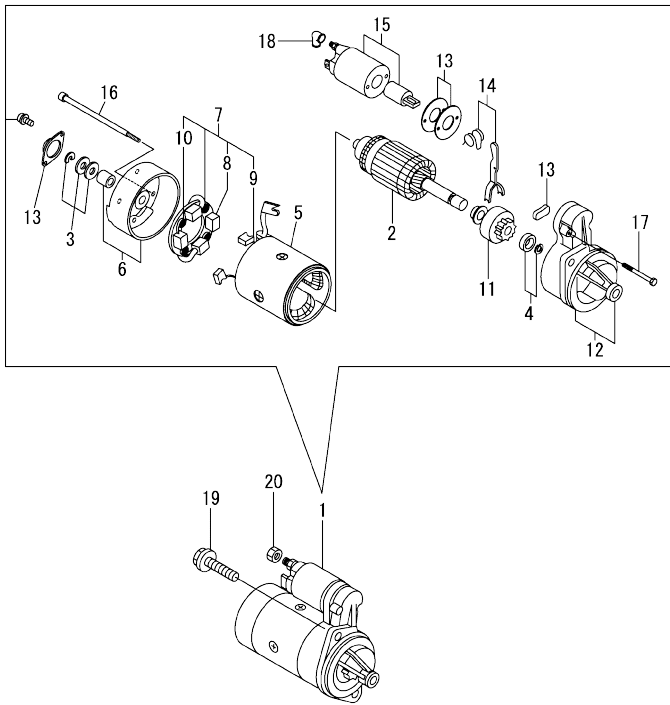


(A)=L70N5CN8C9CAKA
(B)=
(C)=

(D)=
(E)=
(F)=

No.	Lev.	Parts No.	Description	Q'ty						I	R
				(A)	(B)	(C)	(D)	(E)	(F)		
1	1	114220-07151	LABEL, CONSTANT SPEE	1							
2	1	114210-66511	BRACKET ASSY, HANDLE	1							
3	2	114210-66300	HANDLE, REGULATOR	1							
4	2	183250-66321	LEVER, LOCK	1							
5	2	114210-66330	SPRING, LOCK LEVER	1							
6	2	183250-66341	NUT, DETENT M6	1							
7	2	114210-66350	BRACKET, HANDLE	1							
8	2	183250-66361	COLLAR, LOCK LEVER	1							
9	2	183250-66371	COLLAR, LEVER	1							
10	2	26106-060162	BOLT, M6X 16 PLATED	1							
11	1	26106-060142	BOLT, M6X 14 PLATED	1							
12	1	26106-060202	BOLT, M6X 20 PLATED	1							
14	1	114210-66020	SPRING, REGULATOR	1							
15	1	114299-66201	SPRING, RETURN	1							
16	1	114211-66600	LIMITER ASSY, FUEL	1							
21	1	26776-100002	NUT, LOCK M10	1							
23	1	114780-61090	TIN	1							
24	1	22451-060000	WIRE, 0.6	1							

Fig.19. STARTER MOTOR



(A)=L70N5CN8C9CAKA
(B)=
(C)=

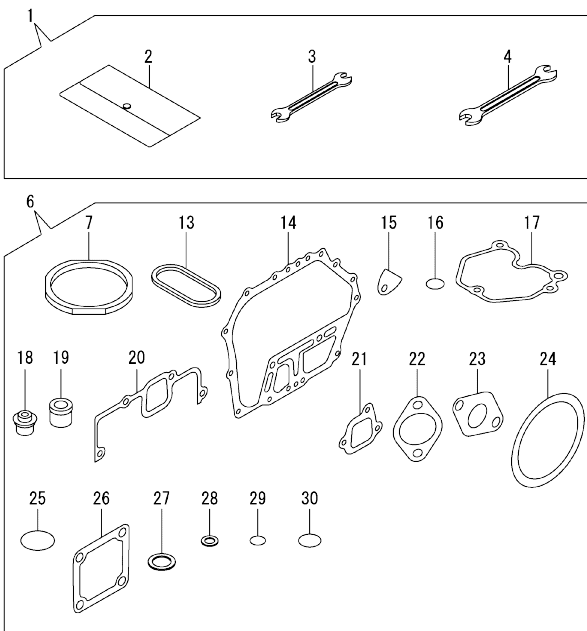
(D)=
(E)=
(F)=

No.	Lev.	Parts No.	Description	Q'ty						I	R
				(A)	(B)	(C)	(D)	(E)	(F)		
1	1	114362-77011	STARTER ASSY, D	1							
2	2	114381-77110	ARMATURE	1							
3	2	X2114811000	WASHER KIT, THRUST	1							
4	2	X2114715500	STOPPER SET, PINION	1							
5	2	114381-77130	COIL ASSY, FIELD	1							
6	2	114381-77140	COVER	1							
7	2	114371-77160	HOLDER ASSY, BRUSH	1							
8	3	114371-79040	BRUSH, -	2							
9	3	114371-79050	BRUSH SET, +	1							
10	3	114371-79060	SPRING, BRUSH	4							
11	2	X211485016	PINION ASSY	1							
12	2	114381-77151	CASE ASSY, GEAR	1							
13	2	114371-77170	COVER KIT, DUST	1							
14	2	114371-77180	LEVER KIT, SHIFT	1							
15	2	124298-77020	SWITCH, MAGNET	1							
16	2	124195-77770	BOLT, THROUGH	2							
17	2	114371-79070	BOLT, M6	2							
18	2	X2114274200	COVER, TERMINAL	1							
19	1	26106-100302	BOLT, M10X 30 PLATED	2							
20	1	26716-080002	NUT, M8	1							

Fig.21. GASKET SET & TOOL

(A)=L70N5CN8C9CAKA
(B)=
(C)=

(D)=
(E)=
(F)=



No.	Lev.	Parts No.	Description	Q'ty						I	R
				(A)	(B)	(C)	(D)	(E)	(F)		
1	1	114299-92590	TOOL ASSY	1							
2	2	114299-92600	BAG, TOOL	1							
3	2	114299-92710	WRENCH	1							
4	2	114299-92720	WRENCH	1							
6	1	114220-92600	GASKET SET	1							1
7	2	114395-01331	GASKET, HEAD	1							
13	2	114399-01380	O-RING, TAPPET	1							
14	2	114399-01410	GASKET, CASE COVER	1							
15	2	114250-01841	GASKET, COVER	1							
16	2	114299-01950	O-RING, 18	2							
17	2	114210-11310	GASKET, BONNET	1							
18	2	114350-11341	SEAL, VALVE STEM	2							
19	2	114771-11461	GASKET, NOZZLE	1							
20	2	114210-12210	GASKET, AIR CLEANER	1							
21	2	114299-12210	GASKET, AIR CLEANER	2							
22	2	114299-12920	GASKET, AIR CLEANER	1							
23	2	114299-13200	GASKET, MUFFLER	1							
24	2	114399-21980	GASKET	1							
25	2	114299-32570	O-RING, PUMP COVER	1							
26	2	129100-77510	GASKET, AIR HEATER	3							
27	2	22190-160002	WASHER, SEAL 16	2							
28	2	23414-080000	GASKET, 8X1.0	1							
29	2	24341-000150	O-RING, 1AS15.0	1							
30	2	24341-000224	O-RING, 1AS22.4	1							

Remarks

(1)Optional parts.

Parts No. Index

Parts No.	Fig. No.	Ref. No.
105010-11490	4	27
105546-51020	16	2
105546-51330	16	15
114110-76910	16	73
114210-01020	1	1
114210-01200	4	1
114210-01210	4	2
114210-03590	4	39
114210-11120	4	10
114210-11180	4	11
114210-11310	4	36
	21	17
114210-11901	4	30
114210-11930	4	12
114210-11950	4	37
114210-12210	5	1
	21	20
114210-12560	5	10
114210-12590	5	11
114210-12600	5	14
114210-14200	7	6
114210-14300	7	7
114210-14400	7	12
114210-28050	11	6
114210-45150	15	1
114210-45260	14	8
114210-45270	14	9
114210-45310	14	5
114210-45320	14	4
114210-45350	14	12
114210-45360	14	13
114210-55220	17	3
114210-55230	17	4
114210-55300	17	5
114210-55810	17	15
114210-59800	16	65
114210-59850	16	71
114210-61290	12	32
114210-66020	18	14
114210-66300	18	3
114210-66330	18	5
114210-66350	18	7
114210-66511	18	2
114211-01450	1	30
114211-61500	12	18
114211-66600	18	16
11421C-11100	4	8
11421C-11110	4	9
11421C-11250	4	14
11421C-11260	4	15

Parts No.	Fig. No.	Ref. No.
11421C-11650	4	16
11421C-11660	4	20
11421C-21830	8	1
114220-07100	3	2
114220-07120	14	2
114220-07130	3	11
114220-07151	3	13
	18	1
114220-12010	5	6
114220-12510	5	3
114220-12910	5	5
114220-45210	14	1
114220-92600	21	6
11422C-11020	4	3
11422C-23700	10	24
11422C-55710	17	8
114239-12520	5	4
114239-51200	16	5
114239-53200	16	33
114239-59301	17	23
114240-11450	4	26
114240-11550	4	28
114240-55300	17	6
114250-01841	1	22
	21	15
114250-11240	4	18
		22
114250-32010	12	1
114250-51080	16	3
114250-51160	16	4
114250-51340	16	16
114250-51500	16	18
114250-51640	16	19
114250-51650	16	20
114250-53080	16	24
114250-53120	16	30
114250-53130	16	31
114250-53140	16	32
114250-53210	16	36
114250-55122	17	1
114250-55130	17	2
114299-01600	1	7
114299-01690	2	1
114299-01800	1	8
114299-01830	1	21
114299-01950	2	4
	21	16
114299-02030	1	40
114299-03640	4	42
114299-07101	3	3

Parts No.	Fig. No.	Ref. No.
114299-07111	3	4
114299-11600	4	29
114299-12210	21	21
114299-12300	5	2
114299-12920	21	22
114299-13200	6	1
	21	23
114299-21220	9	1
114299-21550	9	2
114299-32070	12	7
114299-32570	12	8
	21	25
114299-35110	12	12
114299-35150	1	35
114299-45220	14	3
	7	7
114299-45301	15	3
114299-45310	15	4
114299-45331	15	5
114299-45350	15	6
114299-55040	17	12
114299-55080	17	10
114299-55110	17	13
114299-61190	12	17
114299-61600	12	29
114299-66201	18	15
114299-83020	16	74
114299-92590	21	1
114299-92600	21	2
114299-92710	21	3
114299-92720	21	4
114339-53100	16	25
114350-02113	1	41
114350-11341	4	25
	21	18
114351-77520	20	1
114362-77011	19	1
114371-77160	19	7
114371-77170	19	13
114371-77180	19	14
114371-79040	19	8
114371-79050	19	9
114371-79060	19	10
114371-79070	19	17
114381-77110	19	2
114381-77130	19	5
114381-77140	19	6
114381-77151	19	12
114395-01331	21	7
114395-01341	1	5

Parts No.	Fig. No.	Ref. No.
114399-01380	1	6
	21	13
114399-01410	1	29
	21	14
114399-21590	9	3
114399-21600	9	6
114399-21980	21	24
114399-22300	10	9
114399-45320	14	10
114399-45340	14	6
		11
114650-51300	16	12
114650-59061	17	25
114652-59310	17	27
114699-01760	2	2
114740-55200	17	14
114770-61520	12	28
114770-61610	12	30
114771-11461	21	19
114780-59010	17	20
114780-59060	17	21
114780-61090	18	23
114840-02110	1	33
114840-02200	1	37
114840-02210	1	38
114840-23600	10	29
114840-23610	10	31
114840-23620	10	33
114840-23910	10	35
118200-23200	10	28
119803-53400	16	37
121750-59890	17	28
124066-59100	17	26
124195-77770	19	16
124298-77020	19	15
124550-51350	16	17
124722-59050	17	24
129100-77510	21	26
160110-02220	1	42
		43
160842-21150	8	10
160842-21250	8	11
160842-21260	8	12
183250-66321	18	4
183250-66341	18	6
183250-66361	18	8
183250-66371	18	9
22117-080000	17	16
22190-160002	2	5
	21	27

Parts No. Index

Parts No.	Fig. No.	Ref. No.
22242-000120	4	24
22252-000210	10	10
22312-030160	4	45
	12	9
22312-040080	1	23
22322-030200	12	27
22351-020006	16	11
22351-025005	16	29
22351-030008	16	21
22351-040008	4	31
22451-060000	18	24
22512-040120	9	7
23080-014000	17	22
23414-080000	17	11
	21	28
23875-020000	1	24
23876-010000	13	1
24162-152116	1	44
24311-000125	17	7
24341-000150	21	29
24341-000224	12	14
	21	30
26106-060082	14	14
26106-060122	12	10
26106-060142	18	11
26106-060162	12	15
	18	10
26106-060202	5	16
	14	15
	18	12
26106-060402	4	32
26106-060552	4	48
26106-080122	1	45
26106-080352	1	36
26106-080452	17	17
26106-100302	19	19
26216-080182	6	3
26226-060182	1	25
26226-060222	1	26
26226-060302	5	17
26226-060552	4	33
26306-080002	6	4
26366-060002	1	27
	4	34
	14	16
	17	18
26716-080002	19	20
26776-100002	18	21
26856-060002	4	19
		23

Parts No.	Fig. No.	Ref. No.
714210-28510	11	1
714210-61701	12	31
714220-22580	10	17
714220-22620	10	11
714220-22720	10	1
71422C-14580	7	1
714239-51310	16	1
714239-53200	16	23
714870-22502	10	3
714870-22542	10	13
714870-22552	10	19
X2114274200	19	18
X2114715500	19	4
X2114811000	19	3
X211485016	19	11

Parts No.	Fig. No.	Ref. No.
-----------	----------	----------

Parts No.	Fig. No.	Ref. No.
-----------	----------	----------