

OCR10-M78400EN

P R E F A C E

1.This parts catalog is a first edition of the L70N6FJ1P1AAFT Diesel engine.

	Parts catalog No.	Date of issue	Remarks
First edition	0CR10-G78400	Mar.,2009	No need

2.This parts catalog dose not contain the technical data needed for maintenance service.

3.The illustrations used in this parts catalog have been simplified for clarity.

4.The contents of this parts catalog are subject to change without notice.

5.Be sure to use only Yanmar genuine parts for repairs. If imitation parts are used,
it may cause engine defects.

Directions for the Parts Catalog.

1. This Parts Catalog shows both standard and optional parts.
2. Parts may change without prior notice.
3. The following is an example of the Parts Catalog format.

REF.	LEV.	PARTS NO.	DESCRIPTION	Q'TY						I	R
				(A)	(B)	(C)	(D)	(E)	(F)		
1	1	729595-51390	FUEL INJECTION PUMP	1	1	1	1	1			1
1-1	1	729595-51391	FUEL INJECTION PUMP	1	1	1	1	1		N	1
		(A=E00185) (B=E00200)									
3	2	26022-060162	SCREW M 6X 16	9	9	9	9	9			
3-1	2	26022-060162	SCREW M 6X 16	4	4	4	4	4		K	
		(A=E00156) (B=E00156) (C=E00156) (D=E00156) (E=E00156)									
4	2	129470-51040	CAMSHAFT	1	1	1	1	1			
5	2	122710-51050	BEARING, ROLLER	2	2	2	2	2			
6	2	129470-51060	RETAINER	1	1	1	1	1			

Remarks
(1) BOOST COMPEMSATOR TYPE. OPTIONAL PART, TO E00155,(4JH-DT, 4JH-DTZ

① Ref. No.

The Ref. No. listed may not be in accordance with the illustration Ref. No.

(Ex.) Illustration No.

List Ref No.

1 1 (Before change) → 1-1 (After change)

For interchangeable symbols N, R and K, illustrations for new parts may be abbreviated.

② Lev. (Level)

Level indication

The numbers below indicate the level of relativity towards the main part.

1 ---- Main parts (Assembly parts)

2 ---- Sub component included in " 1 ".

3 ---- Sub component included in " 2 ".

Note) Parts that are not for sale are partially illustrated but not listed.

③ Interchangeability Symbol

When a part change takes place, one of the following interchangeability symbols is indicated beside the part.

Symbol	Interchangeability	Contents note
N	Old $\begin{matrix} \leftarrow \text{Yes} \\ \text{No} \rightarrow \end{matrix}$ New	New Part is interchangeable for Old Part but Old Part is not interchangeable for New Part.
Q	Old $\begin{matrix} \leftarrow \text{No} \\ \text{Yes} \rightarrow \end{matrix}$ New	New Part is not interchangeable for Old Part but Old Part is interchangeable for New Part.
R	Old $\begin{matrix} \leftarrow \text{Yes} \\ \text{Yes} \rightarrow \end{matrix}$ New	New/ Old Parts are both interchangeable.
S	Old $\begin{matrix} \leftarrow \text{No} \\ \text{No} \rightarrow \end{matrix}$ New	New/ Old Parts are both not interchangeable.
W		Part newly added.
Z		Part discontinued.
F		Not interchangeable by a single part but interchangeable together with related parts.
K		Changes only for used parts quantities.

④ Effective Machine No.

When a part changes, the effective Machine No. will be indicated in the (A)-(F) column.

Product Symbol	Product No.	Product Symbol	Product No.
C	Clutch No. Compressor No.	F	Machine No. (Agricultural Equip.)
D	Drive No.	M	Machine No.
E	Engine No.		

Note 1) A date may follow the symbol. (Ex.) 1996.01

Note 2) "XXXXX" and "ZZZZZ" are for parts that could not be predicted or for engine models that could not be identified.

Note 3) (A=E00185) is the E (Engine Serial Number) for the column (A) model (in this case 4JH-DT) after the parts design change.

⑤ Remarks

Figures or alphabets (symbols) are entered in the remarks column.

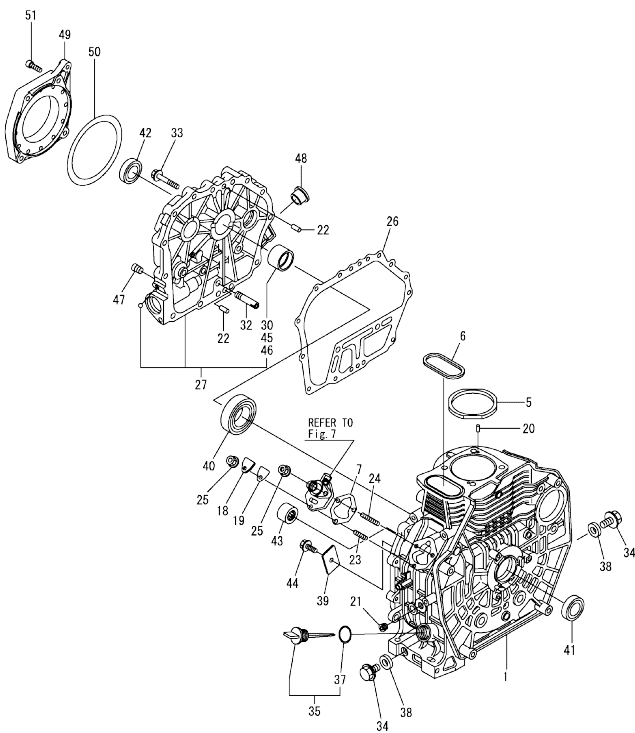
The comments (remarks) on parts that are indicated at the bottom of the illustration are the same symbols as those stated above.

Contents

OCR10-M78400

Fig. No.	Fig. Name	Fig. No.	Fig. Name
L70N6FJ1P1AAFT			
1.	CYLINDER BLOCK		
2.	CYLINDER HEAD & BONNET		
3.	AIR CLEANER & MUFFLER		
4.	CRANKSHAFT,PISTON & CAMSHAFT		
5.	LUB.OIL PUMP & GOVERNOR		
6.	COOLING & STARTING DEVICE		
7.	F.I.PUMP & F.I.VALVE		
8.	FUEL TANK & FUEL PIPE		
9.	STARTING MOTOR & DYNAMO		
10.	TOOL,LABEL & GASKET SET		

Fig.1. CYLINDER BLOCK



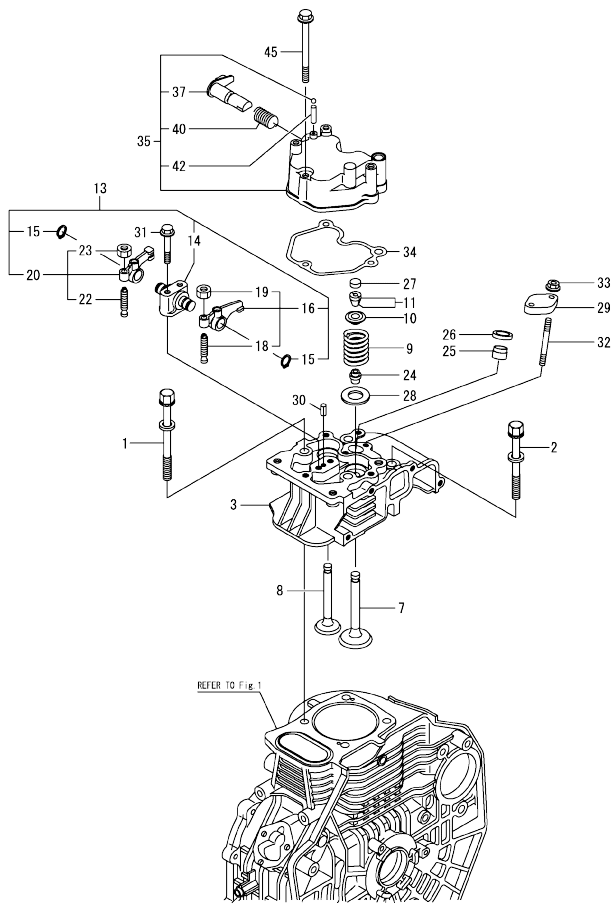
(A)=L70N6FJ1P1AAFT
(B)=
(C)=

(D)=
(E)=
(F)=

No.	Lev.	Parts No.	Description	Q'ty						I	R
				(A)	(B)	(C)	(D)	(E)	(F)		
1	1	114210-01020	BLOCK ASSY, CYLINDER	1							
5	1	114395-01340	GASKET, HEAD T=0.5	1							
6	1	114399-01380	O-RING, TAPPET	1							
7	1	114299-01800	SHIM SET, PUMP	1							
18	1	114299-01830	COVER, PUMP	1							
19	1	114250-01841	GASKET, COVER	1							
20	1	22312-040080	PIN, PARALLEL M4X 8	2							
21	1	23875-020000	PLUG, R02	1							
22	1	114299-01600	PIN, PARALLEL 8X12	2							
23	1	26226-060182	STUD, M6X 18	1							
24	1	26226-060222	STUD, M6X 22	2							
25	1	26366-060002	NUT, M6	3							
26	1	114399-01410	GASKET, CASE COVER	1							
27	1	114210-01450	COVER, CRANK CASE	1							
30	2	114350-02100	METAL, MAIN	1							1
32	1	114299-35150	PIPE, OIL INLET	1							
33	1	26106-080352	BOLT, M8X 35 PLATED	15							
34	1	114299-01690	PLUG, DRAIN 16	2							
35	1	114699-01760	CAP ASSY, OIL SUPPLY	1							
37	2	114299-01950	O-RING, 18	2							
38	1	22190-160002	WASHER, SEAL 16	2							
39	1	114299-02030	RETAINER, BEARING	1							
40	1	114350-02113	BEARING, B35-135G3C3	1							
41	1	160110-02220	SEAL, OIL 30X45X8	1							
42	1	160110-02220	SEAL, OIL 30X45X8	1							
43	1	24162-152116	BEARING, 152116	1							
44	1	26106-080122	BOLT, M8X 12 PLATED	1							
45	1	114350-02200	METAL, MAIN 0.25 US	1							2
46	1	114350-02210	METAL, MAIN 0.50 US	1							3
47	1	23876-010000	PLUG, R01	1							
48	1	160110-01870	PLUG, RUBBER 22	1							
48-1	1	114940-01870	PLUG, RUBBER 22	1							N
(A)*2019.02)											
49	1	114399-21960	FLANGE	1							
50	1	114399-21980	GASKET	1							
51	1	26453-080252	BOLT, M8X 25	4							

Remarks
(1)REPAIR PART.
(2)UNDER SIZED(U.S.=0.25)PART.
(3)UNDER SIZED(U.S.=0.50)PART.

Fig.2. CYLINDER HEAD & BONNET

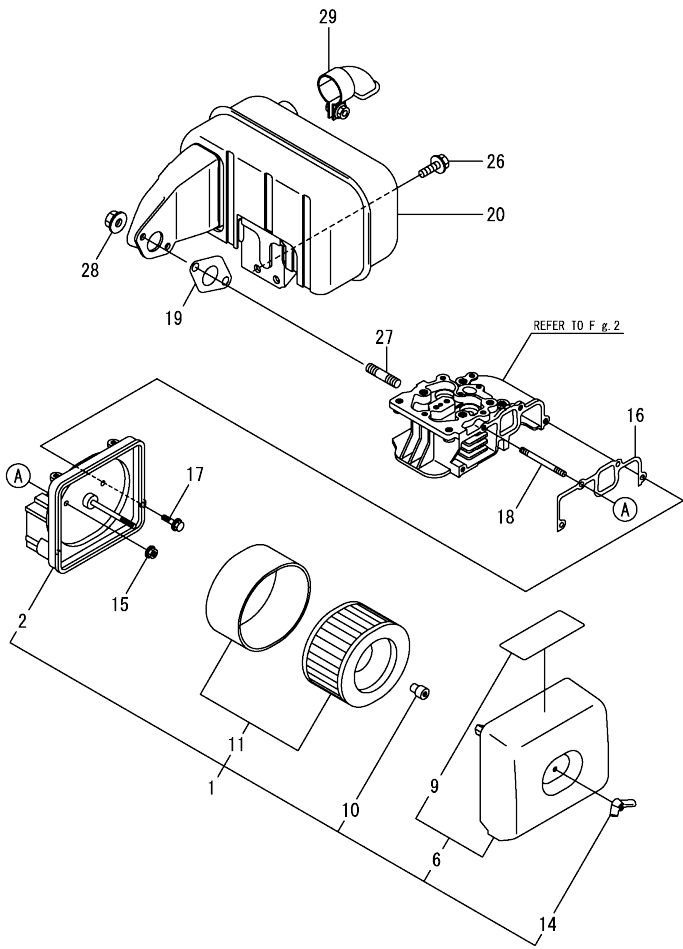


(A)=L70N6FJ1P1AAFT
(B)=
(C)=

(D)=
(E)=
(F)=

No.	Lev.	Parts No.	Description	Qty						I	R
				(A)	(B)	(C)	(D)	(E)	(F)		
1	1	114210-01200	BOLT, CYL.HEAD A	2							
2	1	114210-01210	BOLT, CYL.HEAD B	2							
3	1	114220-11020	HEAD ASSY, CYLINDER	1							
7	1	114210-11100	VALVE, INTAKE	1							
8	1	114210-11110	VALVE, EXHAUST	1							
9	1	114210-11120	SPRING, VALVE	2							
10	1	114210-11180	RETAINER, SPRING	2							
11	1	114210-11930	COTTER ASSY	2							
13	1	114210-11250	SUPPORT ASSY, ROCKER	1							
14	2	114210-11260	SUPPORT, ROCKER ARM	1							
15	2	114210-11280	C TYPE RETAINING RIN	2							
16	2	114210-11650	ARM ASSY, INTAKE	1							
18	3	114299-11240	SCREW, ADJUSTING	1							
19	3	26856-060002	NUT, M6	1							
20	2	114210-11660	ARM ASSY, EXHAUST	1							
22	3	114299-11240	SCREW, ADJUSTING	1							
23	3	26856-060002	NUT, M6	1							
24	1	114350-11340	SEAL, VALVE STEM	2							
25	1	114240-11550	SEAT, NOZZLE	1							
26	1	114240-11450	PROTECTOR, NOZZLE	1							
27	1	105010-11490	CAP, VALVE	2							
28	1	114299-11600	WASHER, VALVE SPRING	2							
29	1	114210-11901	RETAINER, NOZZLE	1							
30	1	22351-040008	PIN, SPRING 4.0X 8	1							
31	1	26106-060402	BOLT, M6X 40 PLATED	2							
32	1	26226-060552	STUD, M6X 55	2							
33	1	26366-060002	NUT, M6	2							
34	1	114210-11310	GASKET, BONNET	1							
35	1	114210-11950	BONNET ASSY, HEAD	1							
37	2	114210-03590	DECOMPRESSION ASSY	1							
40	2	114299-03640	SPRING, DECOMPRESSION	1							
42	2	22312-030160	PIN, PARALLEL M3X16	1							
45	1	26106-060552	BOLT, M6X 55 PLATED	3							

Fig.3. AIR CLEANER & MUFFLER

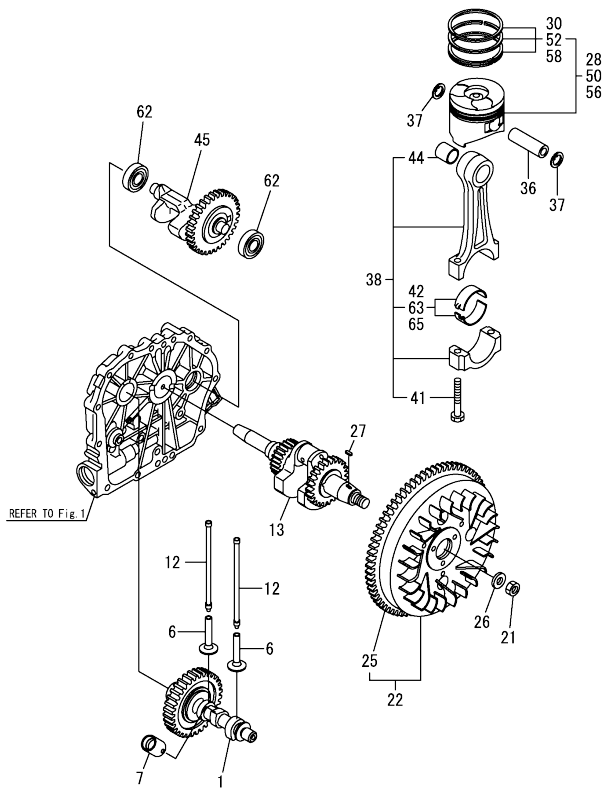


(A)=L70N6FJ1P1AAFT
(B)=
(C)=

(D)=
(E)=
(F)=

No.	Lev.	Parts No.	Description	Q'ty						I	R
				(A)	(B)	(C)	(D)	(E)	(F)		
1	1	114210-12511	CLEANER ASSY, AIR	1							
2	2	114210-12010	BODY ASSY, AIR CLNR	1							
6	2	114210-12500	COVER ASSY, AIR CLNR	1							
9	3	114210-12610	LABEL, AIR CLEANER	1							
10	2	114210-12560	NUT, WING	1							
11	2	114210-12590	ELEMENT ASSY	1							
14	2	114210-12600	LOCKING KNOB	1							
15	1	114299-12300	NUT	3							
16	1	114210-12210	GASKET, AIR CLEANER	1							
17	1	26106-060202	BOLT, M6X 20 PLATED	1							
18	1	26226-060302	STUD, M6X 30	3							
19	1	114299-13200	GASKET, MUFFLER	1							
20	1	114399-13520	MUFFLER ASSY	1							
26	1	26106-060142	BOLT, M6X 14 PLATED	2							
27	1	26216-080182	STUD, M8X 18	2							
28	1	26366-080002	NUT, M8	2							
29	1	114299-13800	EXTENSION ASSY	1							

Fig.4. CRANKSHAFT,PISTON & CAMSHAFT



(A)=L70N6FJ1P1AAFT
(B)=
(C)=

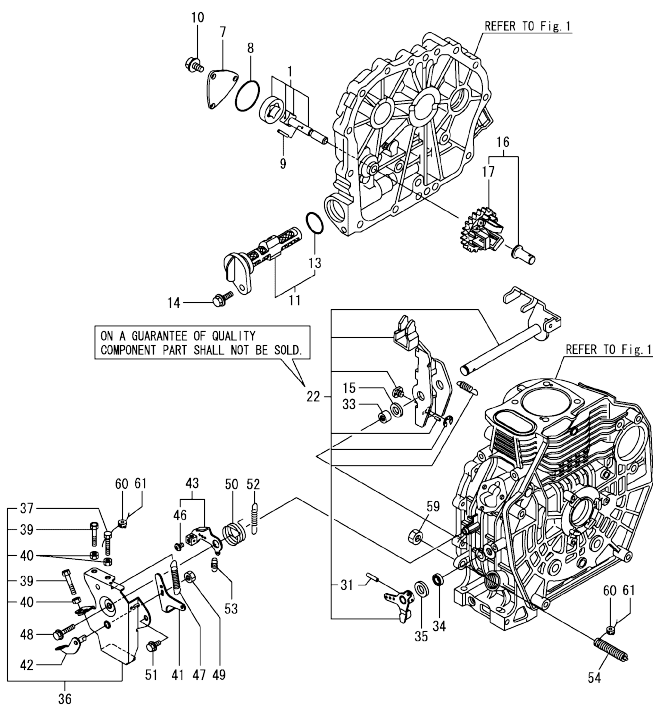
(D)=
(E)=
(F)=

No.	Lev.	Parts No.	Description	Q'ty						I	R
				(A)	(B)	(C)	(D)	(E)	(F)		
1	1	714220-14580	CAMSHAFT ASSY	1							
6	1	114210-14200	TAPPET		2						
7	1	114210-14300	TAPPET ASSY,ROLLER		1						
12	1	114210-14400	ROD ASSY, PUSH		2						
13	1	714210-21760	CRANKSHAFT(E-DI ASSY		1						
21	1	114299-21220	NUT		1						
22	1	114399-21590	FLYWHEEL ASSY		1						
25	2	114399-21600	GEAR, RING		1						
26	1	114299-21550	WASHER		1						
27	1	22512-040120	KEY, 4X 12		1						
28	1	714220-22720	PISTON W/RINGS (D		1						
30	2	714870-22502	RING SET, PISTON		1						
36	1	114399-22300	PIN, PISTON D=21		1						
37	1	22252-000210	RING, 21		2						
38	1	714210-23701	ROD ASSY, CONNECTING		1						
41	2	118200-23200	BOLT, CONNECTING ROD		2						
42	2	114210-23600	BEARING, CRANK PIN		1						
44	2	114380-23100	BEARING, PISTON PIN		1						
45	1	714210-28510	SHAFT ASSY, BALANCER		1						
50	1	714220-22620	PISTON W/RING .25OS		1						1
52	2	714870-22542	RING SET, 0.25 OS		1						1
56	1	714220-22580	PISTON W/RING .50OS		1						2
58	2	714870-22552	RING SET, 0.50 OS		1						2
62	1	24101-062030	BEARING, BALL 6203C3		2						
63	1	114210-23610	BEARING,PIN(U.S.=0.25		1						3
65	1	114210-23620	BEARING,PIN(U.S.=0.50		1						4

Remarks

- (1)OVER SIZED(O.S.=0.25)PART.
- (2)OVER SIZED(O.S.=0.50)PART.
- (3)UNDER SIZED(U.S.=0.25)PART.
- (4)UNDER SIZED(U.S.=0.50)PART.

Fig.5. LUB.OIL PUMP & GOVERNOR

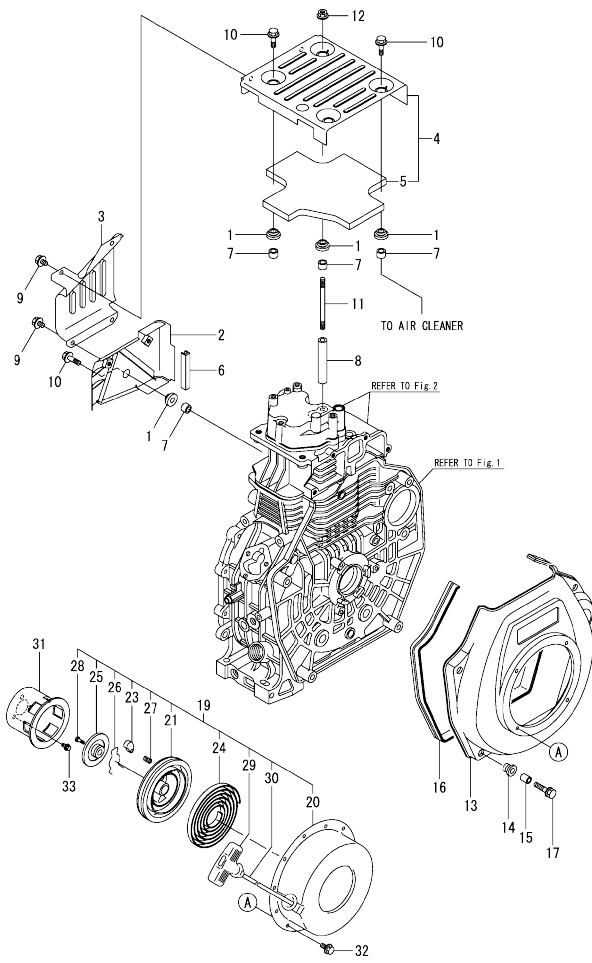


No.	Lev.	Parts No.	Description	Q'ty						I	R
				(A)	(B)	(C)	(D)	(E)	(F)		
1	1	114250-32010	PUMP ASSY, OIL	1							
7	1	114299-32070	COVER	1							
8	1	114299-32570	O-RING	1							
9	1	22312-030160	PIN, PARALLEL M3X16	1							
10	1	26106-060122	BOLT, M6X 12 PLATED	3							
11	1	114299-35110	FILTER ASSY, OIL	1							
13	2	24341-000224	O-RING, 1AS22.4	1							
14	1	26106-060162	BOLT, M6X 16 PLATED	1							
15	1	114299-61190	WASHER	1							
16	1	714210-61701	GOVERNOR ASSY	1							
17	2	114210-61290	WEIGHT ASSY, GOVERNOR	1							
22	1	114211-61500	LEVER ASSY, GOVERNOR	1							
31	2	22322-030200	PIN, TAPER 3X20	1							
33	1	114770-61520	BEARING, NEEDLE	2							
34	1	114299-61600	SEAL, OIL	1							
35	1	114770-61610	WASHER, THRUST	1							
36	1	714299-66901	SPEED CONTROL TP 01	1							
37	2	114299-66440	BOLT, ADJUSTING	1							
39	2	114299-67080	BOLT, ADJUSTING	2							
40	2	26757-060002	NUT, LOCK M6	3							
41	1	114299-66920	LEVER, STOP	1							
42	1	114299-66932	LEVER, STOP OUT	1							
43	1	114299-66940	LEVER ASSY, REGULATOR	1							
46	2	26117-050089	BOLT, M5X 8 PLATED	1							
47	1	114310-66950	SPRING, STOP TILLER	1							
48	1	26106-060302	BOLT, M6X 30 PLATED	1							
49	1	26757-080002	NUT, LOCK M8	1							
50	1	114299-66250	SPRING, RETURN	1							
51	1	26106-060142	BOLT, M6X 14 PLATED	1							
52	1	114220-66010	SPRING, REGULATOR	1							
53	1	114299-66200	SPRING, RETURN	1							
54	1	114220-66600	LIMITER ASSY, FUEL	1							
59	1	26776-100002	NUT, LOCK M10	1							
60	1	114780-61090	TIN	2							
61	1	22451-060000	WIRE, 0.6	2							

Fig.6. COOLING & STARTING DEVICE

(A)=L70N6FJ1P1AAFT
(B)=
(C)=

(D)=
(E)=
(F)=

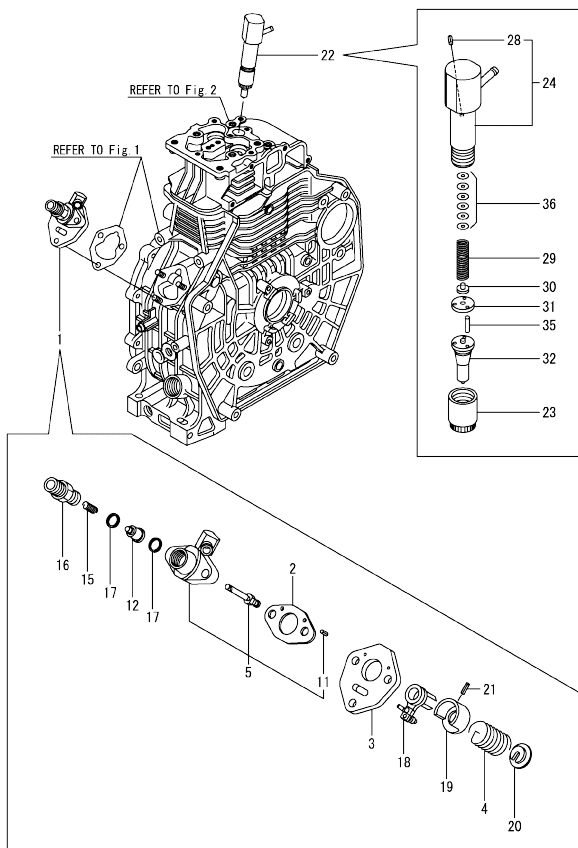


No.	Lev.	Parts No.	Description	Qty						I	R
				(A)	(B)	(C)	(D)	(E)	(F)		
1	1	114299-45220	GROMMET	5							
2	1	114210-45260	COVER B, SIDE (13)	1							
3	1	114210-45270	COVER A, SIDE (13)	1							
4	1	114210-45300	COVER, TOP(BLACK)(13)	1							
5	2	114210-45310	DAMPER	1							
6	1	114399-45320	RUBBER, SEAL	1							
7	1	114399-45340	COLLAR	5							
8	1	114210-45350	SPACER, TOP COVER	1							
9	1	26106-060082	BOLT, M6X 8 PLATED	4							
10	1	26106-060202	BOLT, M6X 20 PLATED	4							
11	1	114210-45360	STUD BOLT, TOP COVER	1							
12	1	26366-060002	NUT, M6	1							
13	1	114210-45100	FAN CASE(SILVER)(17)	1							
13-1	1	114210-45150	CASE, COOLING FAN	1							R
(A=EXXXXX)											
14	1	114299-45301	RUBBER, CUSHION	4							
15	1	114299-45310	COLLAR	4							
16	1	114299-45330	SEAL, FAN CASE	1							
17	1	114299-45350	BOLT, FAN CASE	4							
19	1	114399-76251	RECOIL STARTER(D)ASY	1							
20	2	114399-76510	CASE, STARTER	1							
21	2	114399-76521	REEL, RECOIL	1							
23	2	114399-76531	RATCHET	1							
24	2	114399-76540	SPRING, SPIRAL	1							
25	2	114399-76550	COVER	1							
26	2	114399-76560	SPRING	1							
27	2	114399-76570	SPRING, RETURN	1							
28	2	114399-76580	SCREW	1							
29	2	114399-76620	KNOB, STARTER	1							
30	2	114399-76630	ROPE, STARTER	1							
31	1	114399-76590	PULLEY, STARTER	1							
32	1	26106-060082	BOLT, M6X 8 PLATED	4							
33	1	26106-060122	BOLT, M6X 12 PLATED	3							

Fig.7. F.I.PUMP & F.I.VALVE

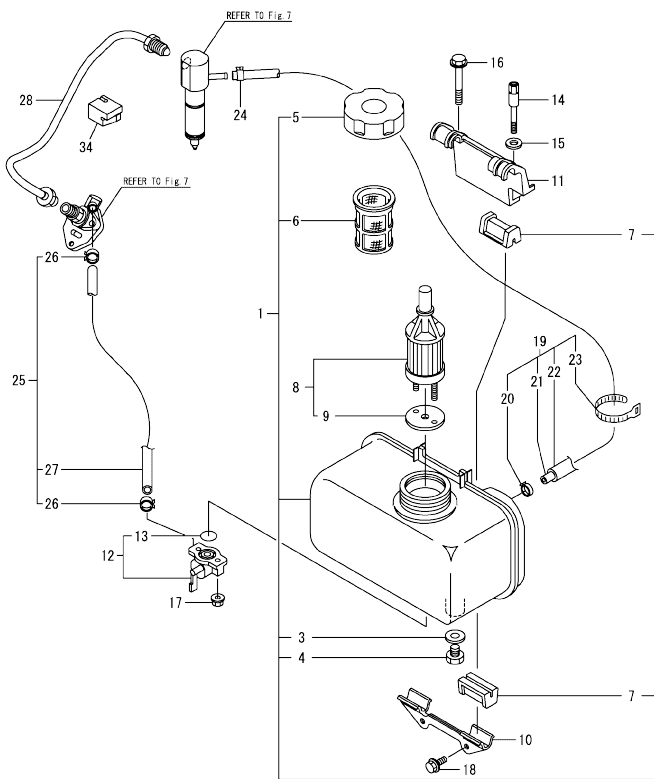
(A)=L70N6FJ1P1AAFT
(B)=
(C)=

(D)=
(E)=
(F)=



No.	Lev.	Parts No.	Description	Q'ty						I	R
				(A)	(B)	(C)	(D)	(E)	(F)		
1	1	714239-51200	F.I.PUMP ASSY	1							
2	2	105546-51020	GASKET	1							
3	2	114250-51080	PLATE	1							
4	2	114250-51160	SPRING, PLUNGER	1							
5	2	114239-51100	BODY ASSY, PUMP	1							
11	4	22351-020006	PIN, SPRING 2.0X 6	2							
12	2	114650-51300	VALVE ASSY, DELIVERY	1							
15	2	105546-51330	SPRING, DELIVERY	1							
16	2	114250-51340	HOLDER, DELIVERY	1							
17	2	124550-51350	GASKET, DELIVERY	2							
18	2	114250-51600	LEVER ASSY, CONTROL	1							
19	2	114250-51640	SEAT, SPRING A	1							
20	2	114250-51650	SEAT, SPRING B	1							
21	2	22351-030008	PIN, SPRING 3.0X 8	1							
22	1	714239-53200	VALVE ASSY, INJECTION	1							
23	2	114250-53080	NUT, NOZZLE D16.95	1							
24	2	114339-53100	HOLDER ASSY, NOZZLE	1							
28	3	22351-025005	PIN, SPRING 2.5X 6	1							
29	2	114250-53120	SPRING, NOZZLE	1							
30	2	114250-53130	SEAT, SPRING	1							
31	2	114250-53140	PLATE	1							
32	2	114239-53200	NOZZLE ASSY	1							
35	2	114250-53210	PIN	2							
36	2	114250-53400	SHIM SET	1							

Fig.8. FUEL TANK & FUEL PIPE

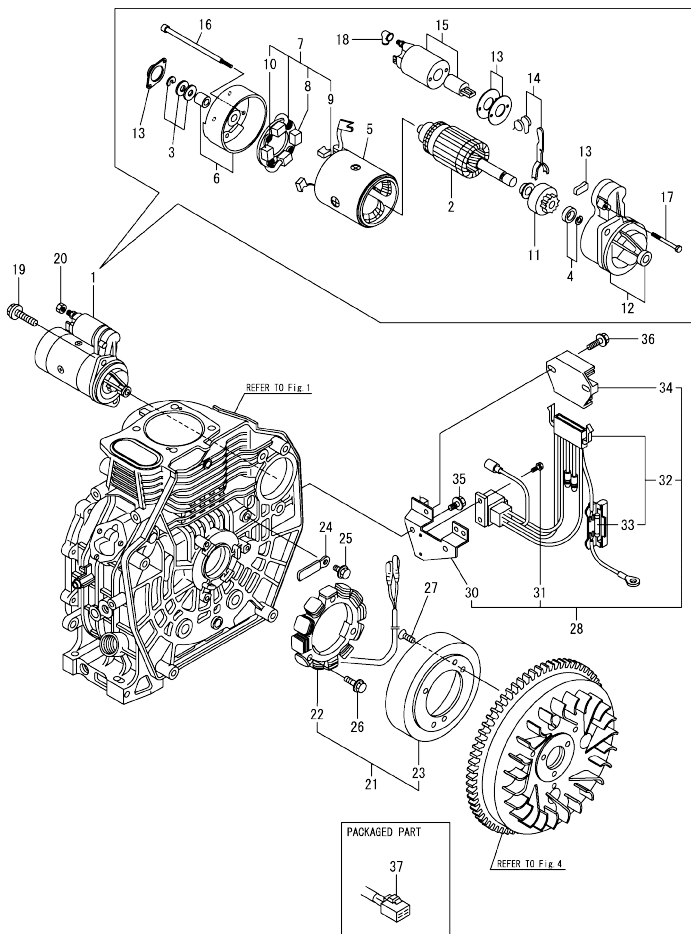


(A)=L70N6FJ1P1AAFT
(B)=
(C)=

(D)=
(E)=
(F)=

No.	Lev.	Parts No.	Description	Qty						I	R
				(A)	(B)	(C)	(D)	(E)	(F)		
1	1	714210-55700	TANK ASSY, FUEL	1							
3	3	23414-080000	GASKET, 8X1.0	1							
4	3	114299-55080	PLUG, DRAIN	1							
5	2	114299-55040	CAP ASSY, FUEL TANK	1							
6	2	114299-55100	ELEMENT, FUEL FILTER	1							
7	2	114250-55201	DAMPER, FUEL TANK	4							
8	1	114250-55121	FILTER ASSY, FUEL	1							
9	2	114250-55130	GASKET	1							
10	1	114210-55210	STAY, FUEL TANK A	1							
11	1	114210-55230	STAY, FUEL TANK B	1							
12	1	114250-55301	COCK ASSY, FUEL	1							
13	2	24341-000150	O-RING, 1AS15.0	1							
14	1	114210-55810	BOLT, LIFTING	1							
15	1	22117-080000	WASHER, 8	1							
16	1	26106-080452	BOLT, M8X 45 PLATED	1							
17	1	26366-060002	NUT, M6	2							
18	1	26106-060162	BOLT, M6X 16 PLATED	2							
19	1	114239-59300	PIPE ASSY, RETURN	1							
19-1	1	114239-59301	PIPE ASSY, FO RETURN	1							N
		(A=2019.03)									
20	2	124722-59050	CLAMP, HOSE 9	1							
21	2	114650-59060	PIPE, FUEL RETURN	1							
21-1	2	114650-59061	PIPE, FO RETURN	1							N
		(A=2019.03)									
22	2	114652-59310	TUBE, PROTECT	1							
23	2	121750-59890	BAND, NYLON	1							
24	2	124066-59100	CLAMP, HOSE 8	1							
25	1	114780-59010	PIPE ASSY, FUEL L50	1							
26	2	23080-014000	CLAMP, 14	2							
27	2	114780-59060	PIPE, FUEL L=50	1							
28	1	114210-59800	PIPE ASSY, INJECTION	1							
34	1	114210-59850	SUPPORT, PIPE	1							

Fig.9. STARTING MOTOR & DYNAMO



(A)=L70N6FJ1P1AAFT
(B)=
(C)=

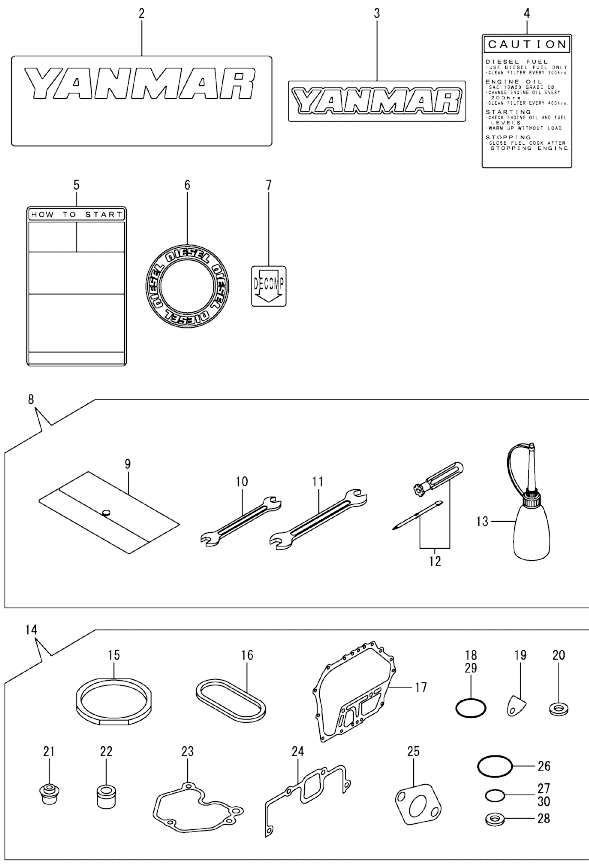
(D)=
(E)=
(F)=

No.	Lev.	Parts No.	Description	Q'ty						I	R
				(A)	(B)	(C)	(D)	(E)	(F)		
1	1	114362-77011	STARTER(HITACHI 12V	1							
2	2	114381-77110	ARMATURE	1							
3	2	X2114811000	WASHER KIT, THRUST	1							
4	2	X2114715500	STOPPER SET, PINION	1							
5	2	114381-77130	COIL ASSY, FIELD	1							
6	2	114381-77140	COVER, REAR	1							
7	2	114371-77160	HOLDER ASSY, BRUSH	1							
8	3	114371-79040	BRUSH (-)	2							
9	3	114371-79050	BRUSH (+)	1							
10	3	114371-79060	SPRING, BRUSH	4							
11	2	X211485016	PINION ASSY	1							
12	2	114381-77151	HOUSING ASSY, GEAR	1							
13	2	114371-77170	COVER KIT, DUST	1							
14	2	114371-77180	LEVER KIT, SHIFT	1							
15	2	124298-77020	SWITCH, MAGNETIC	1							
16	2	124195-77770	THROUGH BOLT	2							
17	2	114371-79070	BOLT M 6X 37	2							
18	2	X2114274200	COVER, TERMINAL	1							
19	1	26106-100302	BOLT, M10X 30 PLATED	2							
20	1	26716-080002	NUT, M8	1							
21	1	114399-78260	DYNAMO ASSY	1							
22	2	114399-78730	STATOR ASSY	1							
23	2	114399-78740	WHEEL, DYNAMO	1							
24	1	160710-78710	CLAMP, CORD	1							
25	1	26106-060122	BOLT, M6X 12 PLATED	1							
26	1	26106-060202	BOLT, M6X 20 PLATED	3							
27	1	26577-060142	SCREW M 6X 14	3							
28	1	114399-77550	REG. & HARNESS ASSY	1							
30	3	114399-77400	BRACKET, HARNESS	1							
31	3	26023-040102	SCREW, M4X10	2							
32	3	114399-77540	HARNESS, WIRE	1							
33	4	114399-78000	FUSE(20A	2							
34	2	114399-77710	REGULATOR	1							
35	1	26106-060122	BOLT, M6X 12 PLATED	2							
36	1	26106-060202	BOLT, M6X 20 PLATED	2							
37	1	114351-77520	COUPLER	1							

Fig.10. TOOL,LABEL & GASKET SET

(A)=L70N6FJ1P1AAFT
(B)=
(C)=

(D)=
(E)=
(F)=



No.	Lev.	Parts No.	Description	Q'ty						I	R
				(A)	(B)	(C)	(D)	(E)	(F)		
2	1	114299-07100	LABEL, AIR COOLED	1							
3	1	114299-07110	LABEL, YANMAR	1							
4	1	114210-07120	LABEL, CAUTION	1							
5	1	114210-07130	LABEL HOW TO START-E	1							
6	1	114299-07160	LABEL, DIESEL	1							
7	1	114210-07200	LABEL, DECOMPRESSION	1							
8	1	114299-92590	BOX, TOOL	1							
9	2	114299-92600	BAG, TOOL	1							
10	2	114299-92710	WRENCH	1							
11	2	114299-92720	WRENCH	1							
12	2	114299-92730	DRIVER	1							
13	2	114299-92740	DIPSTICK	1							
14	1	714220-92600	GASKET SET	1							1
15	2	114395-01340	GASKET, HEAD 0.5	1							
16	2	114399-01380	O-RING	1							
17	2	114399-01410	GASKET, CRANK CASE	1							
18	2	114299-01950	O-RING, 18	2							
19	2	114250-01841	GASKET	1							
20	2	22190-160002	WASHER, SEAL 16	2							
21	2	114350-11340	SEAL, VALVE STEM	2							
22	2	114771-11461	GASKET, NOZZLE	1							
23	2	114210-11310	GASKET, BONNET	1							
24	2	114210-12210	GASKET, AIR CLEANER	1							
25	2	114299-13200	GASKET, MUFFLER	1							
26	2	114299-32570	O-RING	1							
27	2	24341-000100	O-RING, 1AS10.0	1							
28	2	23414-080000	GASKET, 8X1.0	1							
29	2	24341-000224	O-RING, 1AS22.4	1							
30	2	24341-000150	O-RING, 1AS15.0	1							

Remarks
(1)OPTIONAL

Parts No. Index

Parts No.	Fig. No.	Ref. No.
105010-11490	2	27
105546-51020	7	2
105546-51330	7	15
114210-01020	1	1
114210-01200	2	1
114210-01210	2	2
114210-01450	1	27
114210-03590	2	37
114210-07120	10	4
114210-07130	10	5
114210-07200	10	7
114210-11100	2	7
114210-11110	2	8
114210-11120	2	9
114210-11180	2	10
114210-11250	2	13
114210-11260	2	14
114210-11280	2	15
114210-11310	2	34
	10	23
114210-11650	2	16
114210-11660	2	20
114210-11901	2	29
114210-11930	2	11
114210-11950	2	35
114210-12010	3	2
114210-12210	3	16
	10	24
114210-12500	3	6
114210-12511	3	1
114210-12560	3	10
114210-12590	3	11
114210-12600	3	14
114210-12610	3	9
114210-14200	4	6
114210-14300	4	7
114210-14400	4	12
114210-23600	4	42
114210-23610	4	63
114210-23620	4	65
114210-45100	6	13
114210-45150	6	13 -1
114210-45260	6	2
114210-45270	6	3
114210-45300	6	4
114210-45310	6	5
114210-45350	6	8
114210-45360	6	11
114210-55210	8	10
114210-55230	8	11

Parts No.	Fig. No.	Ref. No.
114210-55810	8	14
114210-59800	8	28
114210-59850	8	34
114210-61290	5	17
114211-61500	5	22
114220-11020	2	3
114220-66010	5	52
114220-66600	5	54
114239-51100	7	5
114239-53200	7	32
114239-59300	8	19
114239-59301	8	19 -1
114240-11450	2	26
114240-11550	2	25
114250-01841	1	19
	10	19
114250-32010	5	1
114250-51080	7	3
114250-51160	7	4
114250-51340	7	16
114250-51600	7	18
114250-51640	7	19
114250-51650	7	20
114250-53080	7	23
114250-53120	7	29
114250-53130	7	30
114250-53140	7	31
114250-53210	7	35
114250-53400	7	36
114250-55121	8	8
114250-55130	8	9
114250-55201	8	7
114250-55301	8	12
114299-01600	1	22
114299-01690	1	34
114299-01800	1	7
114299-01830	1	18
114299-01950	1	37
	10	18
114299-02030	1	39
114299-03640	2	40
114299-07100	10	2
114299-07110	10	3
114299-07160	10	6
114299-11240	2	18
	2	22
114299-11600	2	28
114299-12300	3	15
114299-13200	3	19
	10	25

Parts No.	Fig. No.	Ref. No.
114299-13800	3	29
114299-21220	4	21
114299-21550	4	26
114299-32070	5	7
114299-32570	5	8
	10	26
114299-35110	5	11
114299-35150	1	32
114299-45220	6	1
114299-45301	6	14
114299-45310	6	15
114299-45330	6	16
114299-45350	6	17
114299-55040	8	5
114299-55080	8	4
114299-55100	8	6
114299-61190	5	15
114299-61600	5	34
114299-66200	5	53
114299-66250	5	50
114299-66440	5	37
114299-66920	5	41
114299-66932	5	42
114299-66940	5	43
114299-67080	5	39
114299-92590	10	8
114299-92600	10	9
114299-92710	10	10
114299-92720	10	11
114299-92730	10	12
114299-92740	10	13
114310-66950	5	47
114339-53100	7	24
114350-02100	1	30
114350-02113	1	40
114350-02200	1	45
114350-02210	1	46
114350-11340	2	24
	10	21
114351-77520	9	37
114362-77011	9	1
114371-77160	9	7
114371-77170	9	13
114371-77180	9	14
114371-79040	9	8
114371-79050	9	9
114371-79060	9	10
114371-79070	9	17
114380-23100	4	44
114381-77110	9	2

Parts No.	Fig. No.	Ref. No.
114381-77130	9	5
114381-77140	9	6
114381-77151	9	12
114395-01340	1	5
	10	15
114399-01380	1	6
	10	16
114399-01410	1	26
	10	17
114399-13520	3	20
114399-21590	4	22
114399-21600	4	25
114399-21960	1	49
114399-21980	1	50
114399-22300	4	36
114399-45320	6	6
114399-45340	6	7
114399-76251	6	19
114399-76510	6	20
114399-76521	6	21
114399-76531	6	23
114399-76540	6	24
114399-76550	6	25
114399-76560	6	26
114399-76570	6	27
114399-76580	6	28
114399-76590	6	31
114399-76620	6	29
114399-76630	6	30
114399-77400	9	30
114399-77540	9	32
114399-77550	9	28
114399-77710	9	34
114399-78000	9	33
114399-78260	9	21
114399-78730	9	22
114399-78740	9	23
114650-51300	7	12
114650-59060	8	21
114650-59061	8	21 -1
114652-59310	8	22
114699-01760	1	35
114770-61520	5	33
114770-61610	5	35
114771-11461	10	22
114780-59010	8	25
114780-59060	8	27
114780-61090	5	60
114940-01870	1	48 -1
118200-23200	4	41

Parts No. Index

Parts No.	Fig. No.	Ref. No.
121750-59890	8	23
124066-59100	8	24
124195-77770	9	16
124298-77020	9	15
124550-51350	7	17
124722-59050	8	20
160110-01870	1	48
160110-02220	1	41
		42
160710-78710	9	24
22117-080000	8	15
22190-160002	1	38
	10	20
22252-000210	4	37
22312-030160	2	42
	5	9
22312-040080	1	20
22322-030200	5	31
22351-020006	7	11
22351-025005	7	28
22351-030008	7	21
22351-040008	2	30
22451-060000	5	61
22512-040120	4	27
23080-014000	8	26
23414-080000	8	3
	10	28
23875-020000	1	21
23876-010000	1	47
24101-062030	4	62
24162-152116	1	43
24341-000100	10	27
24341-000150	8	13
	10	30
24341-000224	5	13
	10	29
26023-040102	9	31
26106-060082	6	9
		32
26106-060122	5	10
	6	33
	9	25
		35
26106-060142	3	26
	5	51
26106-060162	5	14
	8	18
26106-060202	3	17
	6	10
	9	26

Parts No.	Fig. No.	Ref. No.
26106-060202	9	36
26106-060302	5	48
26106-060402	2	31
26106-060552	2	45
26106-080122	1	44
26106-080352	1	33
26106-080452	8	16
26106-100302	9	19
26117-050089	5	46
26216-080182	3	27
26226-060182	1	23
26226-060222	1	24
26226-060302	3	18
26226-060552	2	32
26366-060002	1	25
	2	33
	6	12
	8	17
26366-080002	3	28
26453-080252	1	51
26577-060142	9	27
26716-080002	9	20
26757-060002	5	40
26757-080002	5	49
26776-100002	5	59
26856-060002	2	19
		23
714210-21760	4	13
714210-23701	4	38
714210-28510	4	45
714210-55700	8	1
714210-61701	5	16
714220-14580	4	1
714220-22580	4	56
714220-22620	4	50
714220-22720	4	28
714220-92600	10	14
714239-51200	7	1
714239-53200	7	22
714299-66901	5	36
714870-22502	4	30
714870-22542	4	52
714870-22552	4	58
X2114274200	9	18
X2114715500	9	4
X2114811000	9	3
X211485016	9	11

Parts No.	Fig. No.	Ref. No.
-----------	----------	----------

Parts No.	Fig. No.	Ref. No.
-----------	----------	----------